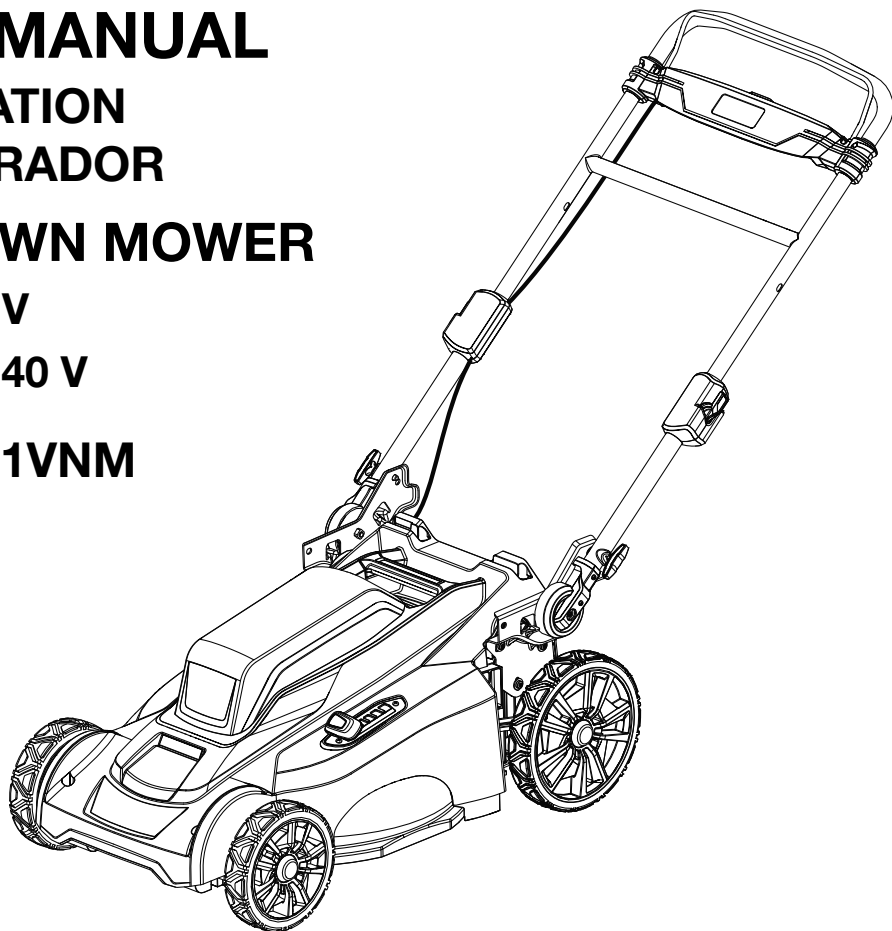




OPERATOR'S MANUAL
MANUEL D'UTILISATION
MANUAL DEL OPERADOR
20 in. 40 VOLT LAWN MOWER
20 po, TONDEUSE 40 V
20 pulg., PODADORA 40 V
RY401011/RY401011VNM



- Important Safety Instructions..... 2-4
- Symbols 5-6
- Features7
- Assembly 8-9
- Operation 9-11
- Maintenance 12-13
- Troubleshooting 14
- Parts Ordering and Service Back Page

- Instructions importantes concernant la securite..... 2-4
- Symboles 5-6
- Caractéristiques7
- Assemblage 8-9
- Utilisation 9-11
- Entretien 12-13
- Dépannage.....14
- Commande de pièces et réparation..... Page arrière

- Instrucciones de seguridad importantes 2-4
- Símbolos 5-6
- Características 7
- Armado 8-9
- Funcionamiento 9-11
- Mantenimiento 12-13
- Corrección de problemas 14
- Pedidos de piezas y servicio Pág. posterior

⚠ WARNING: To reduce the risk of injury, the user must read and understand the operator's manual before using this product.

⚠ AVERTISSEMENT : Pour réduire les risques de blessures, l'utilisateur doit lire et veiller à bien comprendre le manuel d'utilisation avant d'employer ce produit.

⚠ ADVERTENCIA: Para reducir el riesgo de lesiones, el usuario debe leer y comprender el manual del operador antes de usar este producto.

SAVE THIS MANUAL FOR FUTURE REFERENCE

CONSERVER CE MANUEL POUR FUTURE RÉFÉRENCE

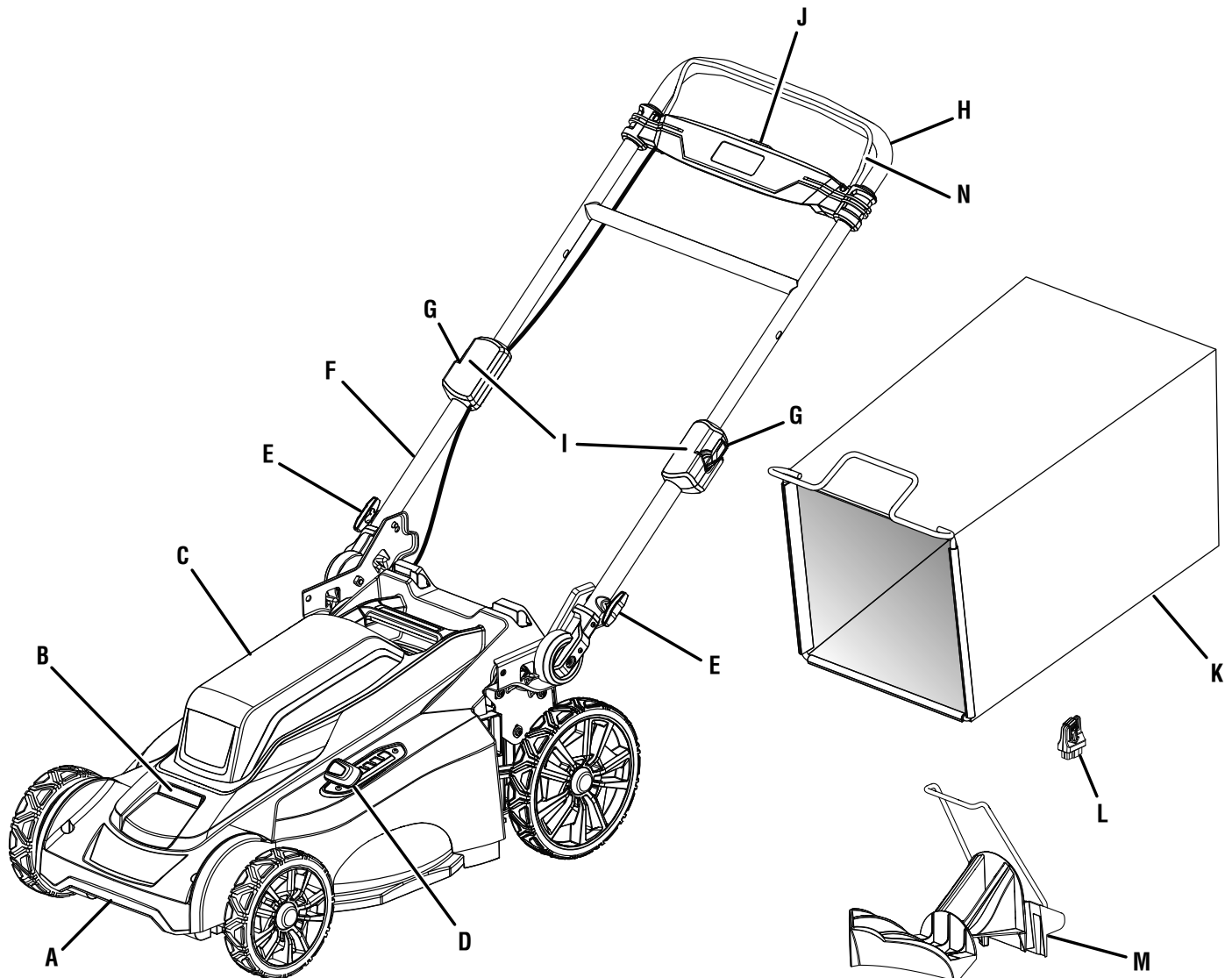
GUARDE ESTE MANUAL PARA FUTURAS CONSULTAS

See this fold-out section for all of the figures referenced in the operator's manual.

Consulter l'encart à volets afin d'examiner toutes les figures mentionnées dans le manuel d'utilisation.

Consulte esta sección desplegable para ver todas las figuras a las que se hace referencia en el manual del operador.

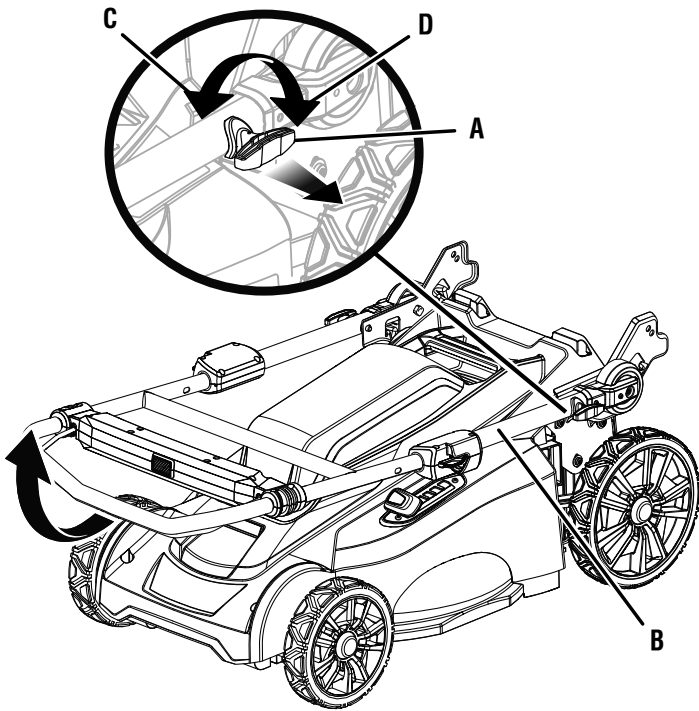
Fig. 1



- A - Carrying/lifting handle (poignée de transport/soulèvement, mango de transporte/elevación)
- B - LED headlights (phares DEL, luces delanteras LED)
- C - Battery cover (couvercle des piles, tapa de las baterías)
- D - Height adjustment lever (levier de réglage de la hauteur, palanca de ajuste de altura)
- E - Handle adjustment knob (bouton de réglage de la poignée, perilla de ajuste del mango)
- F - Lower handle (poignée inférieure, mango inferior)

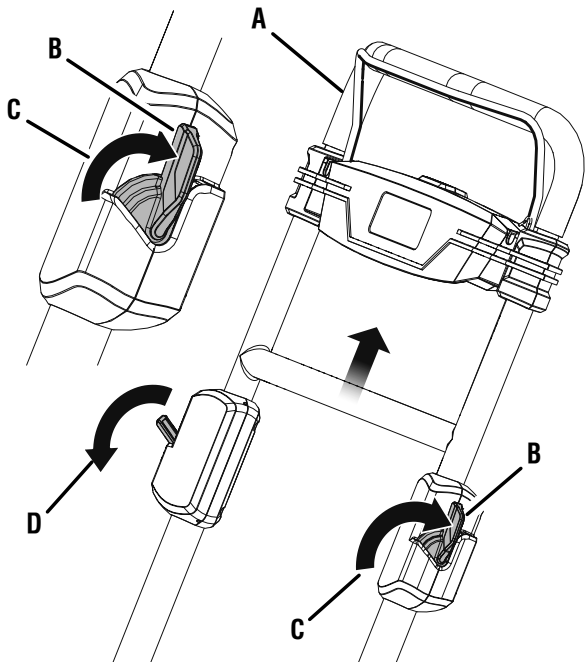
- G - Handle lock lever (levier de verrou de la poignée, palanca de seguro del mango)
- H - Upper handle (poignée supérieure, mango superior)
- I - Handle lock (verrou de la poignée, seguro del mango)
- J - Start button (bouton de démarrage, botón de arranque)
- K - Grass catcher (collecteur d'herbe, receptor de hierba)
- L - Start key (clé de démarrage, llave del arranque)
- M - Mulching plug (insert broyeur, tapón para trituración)
- N - Bail (anse, asa)

Fig. 2



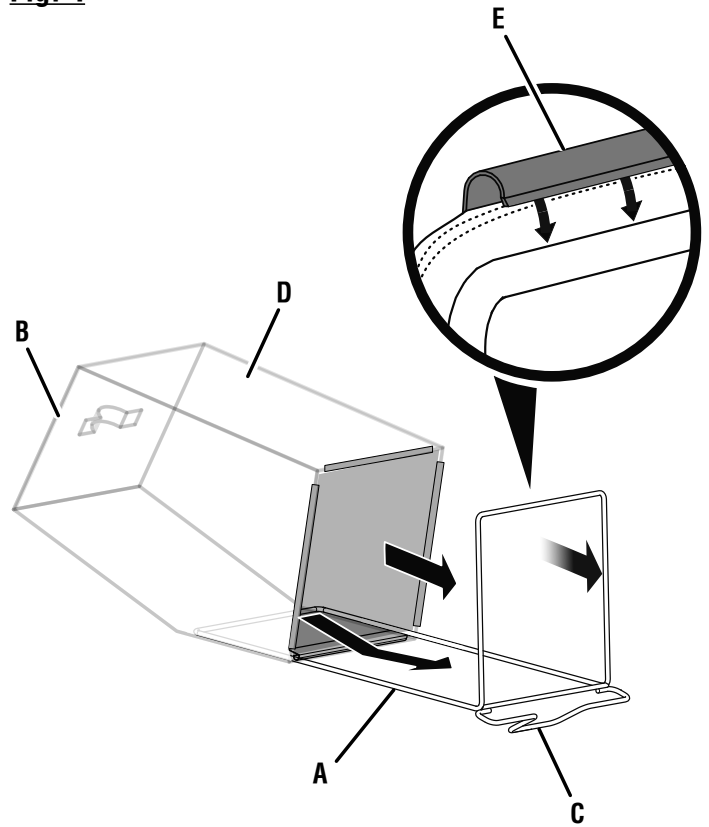
- A - Handle adjustment knob (bouton de réglage de la poignée, perilla de ajuste del mango)
- B - Lower handle (poignée inférieure, mango inferior)
- C - To unlock (pour déverrouiller, para desbloquear)
- D - To lock (pour verrouiller, para asegurar)

Fig. 3



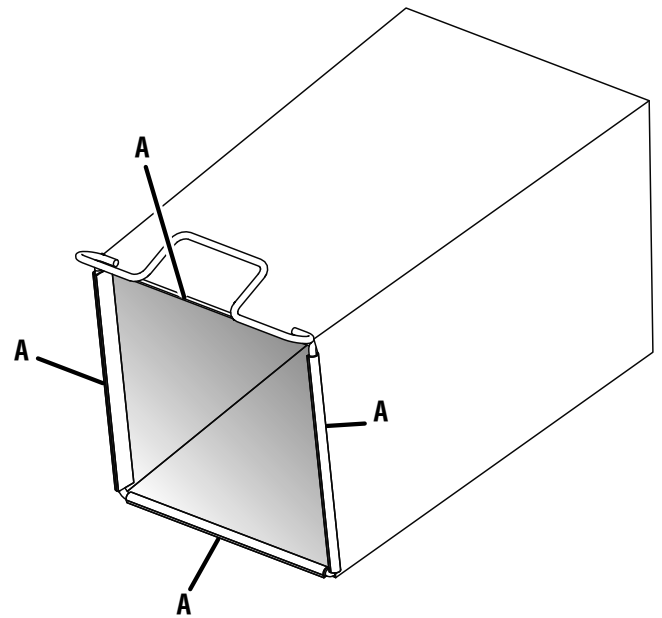
- A - Upper handle (poignée supérieure, mango superior)
- B - Handle lock lever (levier de verrou de la poignée, palanca de seguro del mango)
- C - To close (pour fermer, para cerrar)
- D - To open (pour ouvrir, para abrir)

Fig. 4



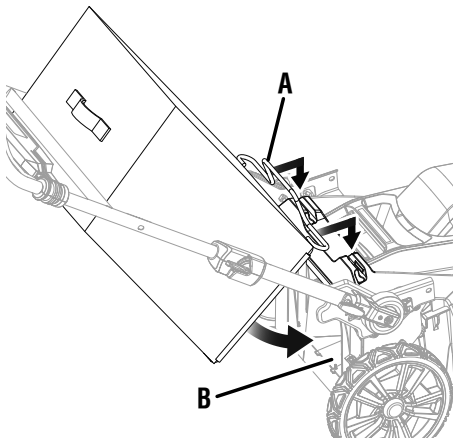
- A - Frame (support, armazón)
- B - Bag (sac, bolsa)
- C - Handle (poignée, mango)
- D - Vinyl floor (plancher en vinyle, piso de vinilo)
- E - Clip (attache, clip)

Fig. 5



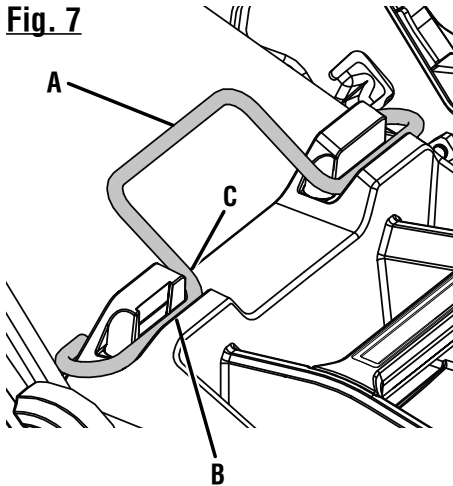
- A - Clips (attaches, clips)

Fig. 6



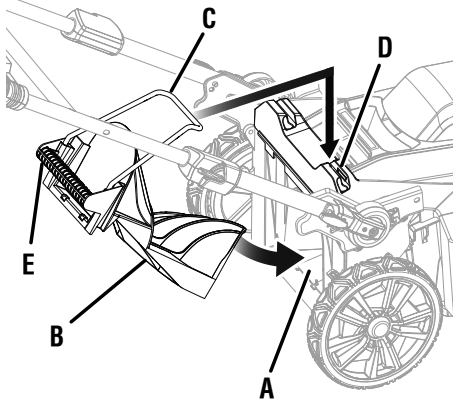
- A - Grass catcher handle (poignée de collecteur d'herbe, mango del receptor de hierba)
- B - Rear discharge opening (ouverture d'éjection latérale, abertura de descarga lateral)

Fig. 7



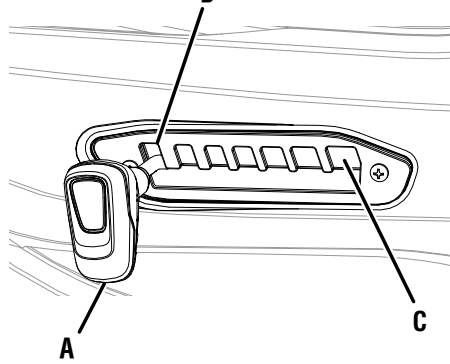
- A - Handle (poignée, mango)
- B - Slot (fente, ranura)
- C - Metal lock (verrou de métal, dispositivo de seguridad de metal)

Fig. 8



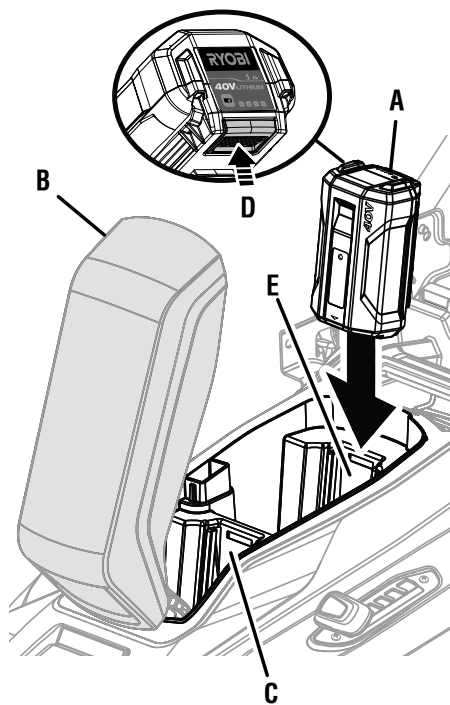
- A - Rear discharge opening (ouverture d'éjection arrière, abertura de descarga posterior)
- B - Mulching plug (insert broyeur, tapón para trituración)
- C - Metal lock (verrou de métal, dispositivo de seguridad de metal)
- D - Slot (fente, ranura)
- E - Handle (poignée, mango)

Fig. 9



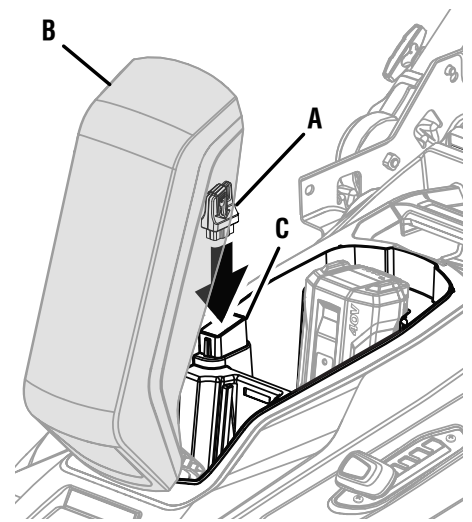
- A - Height adjustment lever (levier de réglage de la hauteur, palanca de ajuste de altura)
- B - Lowest blade setting (le plus bas réglage de la lame, ajuste más bajo de la hoja)
- C - Highest blade setting (le plus haut réglage de la lame, ajustes de cuchilla más alto)

Fig. 10



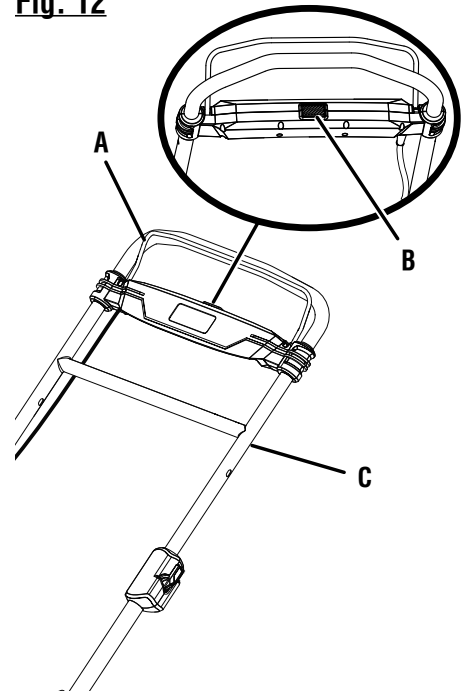
- A - Battery pack (bloc-piles, paquete de baterías)
- B - Battery cover (couverture des piles, tapa de las baterías)
- C - Battery storage compartment (compartiment de rangement de pile, compartiment de almacenamiento de la batería)
- D - Latch (loquet, pestillo)
- E - Battery port (logement de piles, compartiment de la batería)

Fig. 11



- A - Start key (clé de démarrage, llave del arranque)
- B - Battery cover (couverture des piles, tapa de las baterías)
- C - Start key slot (fente de la clé de démarrage, ranura de la llave del arranque)

Fig. 12



- A - Bail (anse, asa)
- B - Start button (bouton de démarrage, botón de arranque)
- C - Upper handle (poignée supérieure, mango superior)

Fig. 13

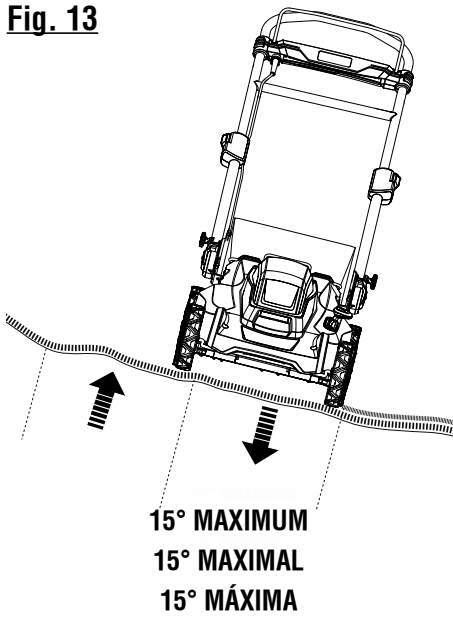


Fig. 14

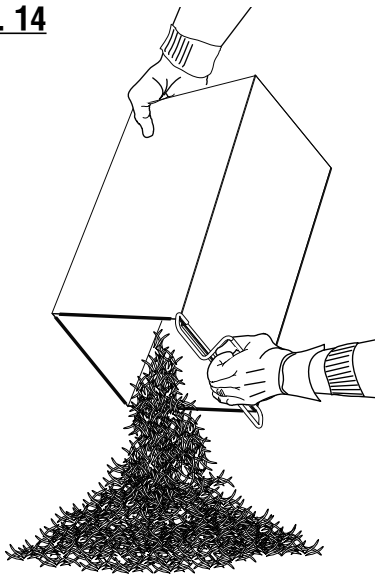
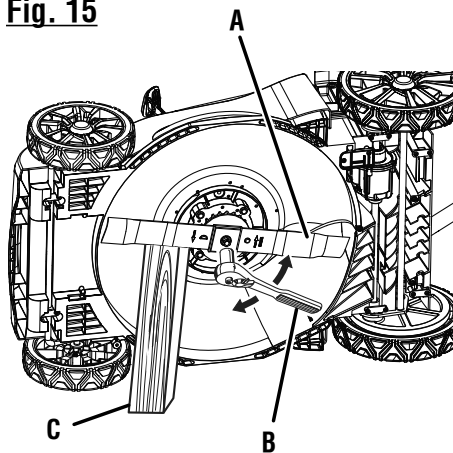
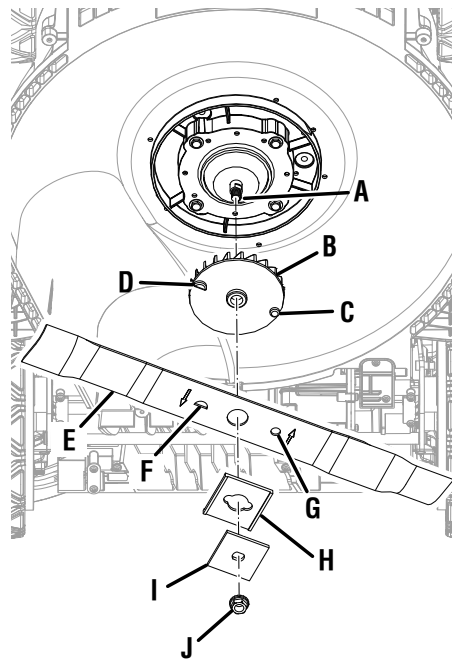


Fig. 15



- A - Blade (lame, hoja)
- B - Wrench (clé, llave)
- C - Block of wood (pièce de bois, bloque de madera)

Fig. 16



- A - Shaft (arbre, eje)
- B - Hub (moyeu, buje)
- C - Blade post (round) [tiges pour lame (ronde), montantes de cuchilla (redondo)]
- D - Blade post (half circle) [tige pour lame (demi-cercle), puerto de la hoja (semicircular)]
- E - Blade (lame, hoja)
- F - Blade hole (half circle) [trou pour lame (demi-cercle), orificio de la hoja (semicircular)]
- G - Blade hole (round) [trou pour lame (ronde), orificio de la hoja (redondo)]
- H - Blade insulator (isolant de lame, aislante de hoja)
- I - Spacer (entretoise, separador)
- J - Blade nut (écrou de lame, tuerca de la hoja)

Fig. 17

**TO STORE THE MACHINE
IN THE HORIZONTAL POSITION
POUR REMISER L'ÉQUIPEMENT
EN POSITION HORIZONTALE
PARA GUARDAR LA MÁQUINA
EN POSICIÓN HORIZONTAL**

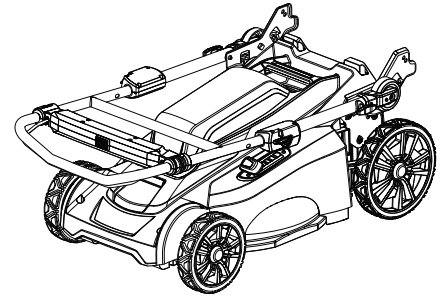
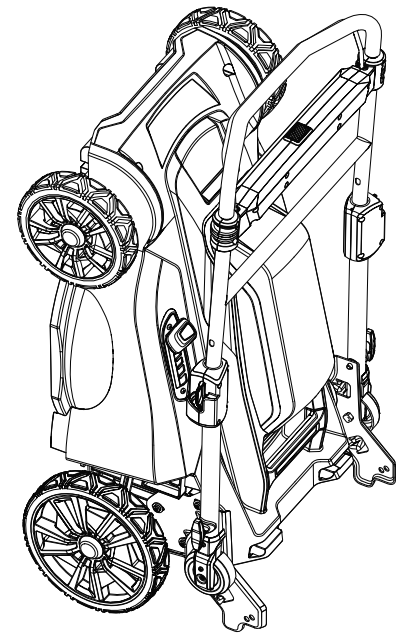


Fig. 18

**TO STORE THE MACHINE
IN THE VERTICAL POSITION
POUR REMISER L'ÉQUIPEMENT
EN POSITION VERTICALE
PARA GUARDAR LA MÁQUINA
EN POSICIÓN VERTICALE**



IMPORTANT SAFETY INSTRUCTIONS



WARNING:

READ AND UNDERSTAND ALL INSTRUCTIONS.

Failure to follow all instructions listed below and on the machine may result in electric shock, fire, and/or serious personal injury.

READ ALL INSTRUCTIONS

- This cutting machine is capable of amputating hands and feet and throwing objects. Failure to observe all safety instructions could result in serious injury or death.
- Avoid dangerous environment – Do not use the lawn mower in damp or wet conditions or operate in the rain.
- Keep children away – Keep all bystanders, children, and pets at least 100 ft. away. Stop machine if anyone enters the area.
- Tragic accidents can occur if the operator is not alert to the presence of children. Children are often attracted to the machine and the mowing activity. Never assume that children will remain where you last saw them.
 - Keep children out of the mowing area and under the watchful care of a responsible adult other than the operator.
 - Be alert and turn mower off if a child enters the area.
 - Never allow children to operate the machine.
 - Use extra care when approaching blind corners, shrubs, trees, or other objects that may block your view of a child.
- Dress properly – Wear heavy, long pants, long sleeves, gloves, and protective footwear that will protect your feet and improve your footing on slippery surfaces. Do not wear loose fitting clothing, short pants, sandals, or go barefoot. Do not wear jewelry of any kind. They can be caught in moving parts.
- Don't overreach – Keep proper footing and balance at all times. Overreaching can result in loss of balance.
- Do not leave the mower unattended while running or with the start key installed.
- Keep hands and feet away from cutting area. Keep clear of the discharge opening at all times.
- Operate the lawn mower only in daylight or good artificial light.
- Use safety glasses – Always wear eye protection with side shields marked to comply with ANSI Z87.1. Use face mask if operation is dusty.
- Use the right appliance – Do not use the lawn mower for any job except that for which it is intended.
- Do not force the lawn mower – It will do the job better and safer at the rate for which it was designed.
- Do not charge batteries in rain, or in wet locations.
- Stay alert – Watch what you are doing and use common sense when operating the lawn mower. Do not operate the mower while tired, upset, or under the influence of drugs, alcohol, or medication. A moment of inattention while operating the lawn mower may result in serious personal injury.
- Maintain lawn mower with care – Keep machine in good working condition. Keep blades sharp and guards in place and in working order. Replace damaged or unevenly worn blades before using mower for best performance.
- Check all nuts, bolts, and screws at frequent intervals for proper tightness to be sure the equipment is in safe working condition. Mower blades are sharp. Wrap the blade or wear gloves, and use extra caution when servicing them.
- Do not dispose of the battery in a fire. The cell may explode. Check with local codes for possible special disposal instructions.
- Stop the motor, wait until the blade comes to a complete stop, and remove the start key and battery pack before performing any maintenance, cleaning the lawn mower, removing the grass catcher, or removing the mulching plug.
- **Never use a hose, water, or any liquids to clean or rinse off the lawn mower.** Corrosive liquids, water, fertilizers, and chemicals used to treat lawns can enter the lawn mower and/or battery compartment and damage electronic components and/or the battery pack, which can result in a short circuit, increased risk of fire, and serious personal injury. Remove any buildup of grass and leaves on or around the mower housing and/or underneath the mower deck. Wipe the mower clean with a dry cloth occasionally.
- Replace blade if it is bent or cracked. An unbalanced blade causes vibration that could damage the motor drive unit or cause personal injury. Sharpen a dull blade equally at each end to maintain the balance. Clean the blade thoroughly and check its balance by supporting it horizontally on a thin nail through its center hole. The nail should be in a horizontal position. If either end of the blade rotates downward, remove some metal from the heavy of lower end until the blade is balanced. It is balanced when neither end drops.
- Always use safety protective devices. Do not operate the mower without the entire grass catcher or mulching plug and rear discharge door in place and working properly.
- Do not open or mutilate the battery. Released electrolyte is corrosive and may cause damage to the eyes or skin. It may be toxic if swallowed.
- Follow manufacturer's instructions for proper operation and installation of accessories. Only use accessories approved by the manufacturer.
- Exercise care in handling batteries in order not to short the battery with conducting materials such as rings, bracelets, and keys. The battery or conductor may overheat and cause burns.

IMPORTANT SAFETY INSTRUCTIONS




- Clear the work area before each use. Remove all objects such as rocks, tree nuts, sticks, metal, wire, bones, toys, or other objects which can be thrown by the blade. Stay behind the handle when the motor is running.
- Prevent unintentional starting. Ensure the switch is in the off-position before connecting to battery pack, picking up or carrying the appliance. Carrying the appliance with your finger on the switch or energizing appliance that have the switch on invites accidents.
- When battery pack is not in use, keep it away from other metal objects, like paper clips, coins, keys, nails, screws or other small metal objects, that can make a connection from one terminal to another. Shorting the battery terminals together may cause burns or a fire.
- Under abusive conditions, liquid may be ejected from the battery; avoid contact. If contact accidentally occurs, flush with water. If liquid contacts eyes, additionally seek medical help. Liquid ejected from the battery may cause irritation or burns.
- Do not use a battery pack or appliance that is damaged or modified. Damaged or modified batteries may exhibit unpredictable behavior resulting in fire, explosion or risk of injury.
- Do not expose a battery pack or appliance to fire or excessive temperature. Exposure to fire or temperature above 265°F may cause explosion.
- Follow all charging instructions and do not charge the battery pack or appliance outside of the temperature range specified in the instructions. Charging improperly or at temperatures outside of the specified range may damage the battery and increase the risk of fire.
- Do not modify or attempt to repair the appliance or the battery pack (as applicable) except as indicated in the instructions for use and care.
- Avoid holes, ruts, bumps, rocks, property stakes, or other hidden objects. Uneven terrain could cause a slip and fall accident.
- Do not mow near drop-offs, ditches, or embankments.
- Mow across the face of slopes, never up and down. Exercise extreme caution when changing direction on slopes.
- Plan your mowing pattern to avoid discharge of material toward roads, sidewalks, bystanders and the like. Also, avoid discharging material against a wall or obstruction, which may cause the material to ricochet back toward the operator.
- Do not mow on wet grass or excessively steep slopes. Poor footing could cause a slip and fall accident. Walk, never run.
- Use extra care when approaching blind corners, shrubs, trees, or other objects that may block your view.
- Do not pull the mower backward unless absolutely necessary. If you must back the mower away from a wall or obstruction, first look down and behind to avoid tripping or pulling the mower over your feet.
- Never direct discharged material toward anyone. Avoid discharging material against a wall or obstruction. Material may ricochet back toward the operator. Stop the blade when crossing gravel surfaces.
- Objects struck by the lawn mower blade can cause severe injuries to persons. The lawn should always be carefully examined and cleared of all objects prior to each mowing.
- If the lawn mower strikes a foreign object, follow these steps:
 - Stop the lawn mower by releasing the blade control lever, wait until the blade comes to a complete stop, and then remove start key.
 - Thoroughly inspect the mower for any damage.
 - Replace the blade if it is damaged in any way. Repair any damage before restarting and continuing to operate the mower.
- Stop the motor, wait until the blade comes to a complete stop, and remove start key before unclogging the chute. The cutting blade continues to rotate for a few seconds after the motor is shut off. Never place any part of the body in the blade area until you are sure the blade has stopped rotating.
- If the mower should start to vibrate abnormally, stop the motor, remove the start key, and check immediately for the cause. Replace the blade if it is unevenly worn or damaged in any way. Vibration is generally a warning of trouble.
- Service on the product must be performed by qualified repair personnel only. Service or maintenance performed by unqualified personnel could result in injury to the user or damage to the product.
- The grass catcher assembly is subject to deterioration and wear and should be checked each time the mower is used. If replacement is needed, make sure the new grass catcher meets original manufacturer's recommendations and specifications.
- Use only authorized replacement parts when servicing the product. Use identical replacement blades only. Use of unauthorized parts may create a risk of serious injury to the user, or damage to the product.
- Maintain or replace safety instructions labels, as necessary.
- Disconnect battery and remove start key. Disconnect battery pack and remove start key from the appliance before storing, servicing, or changing accessories such as blades. Such preventive safety measures reduce the risk of starting the tool accidentally.
- Stop the unit and disconnect battery pack and start key when not in use. Carry or push the unit with the motor stopped and the start key removed from the mower.

IMPORTANT SAFETY INSTRUCTIONS










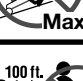
- Battery tools do not have to be plugged into an electrical outlet; therefore, they are always in operating condition. Be aware of possible hazards when not using your battery tool or when changing accessories. Following this rule will reduce the risk of electric shock, fire, or serious personal injury.
- Do not use battery-operated appliance in rain.
- Remove or disconnect battery before servicing, cleaning or removing material from the gardening appliance.
- Use this product only with batteries and chargers listed in tool/appliance/battery pack/charger correlation supplement 988000-842.
- Store idle lawn mower indoors – When not in use, mower should be stored indoors in a dry, locked place out of the reach of children. The start key and battery packs should also be removed and stored in a separate location out of the reach of children.
- Follow instructions for lubricating and changing accessories.
- Only allow responsible adults, who are familiar with the instructions, to operate this machine.
- Never operate machine in a closed area.
- Never tamper with safety devices. Check for proper operation regularly.
- Save these instructions. Refer to them frequently and use them to instruct others who may use this product. If you loan someone this tool, loan them these instructions also.

SYMBOLS

The following signal words and meanings are intended to explain the levels of risk associated with this product.


SYMBOL	SIGNAL	MEANING
	DANGER:	Indicates a hazardous situation, which, if not avoided, will result in death or serious injury.
	WARNING:	Indicates a hazardous situation, which, if not avoided, could result in death or serious injury.
	CAUTION:	Indicates a hazardous situation, that, if not avoided, may result in minor or moderate injury.
	NOTICE:	(Without Safety Alert Symbol) Indicates information considered important, but not related to a potential injury (e.g. messages relating to property damage).

Some of the following symbols may be used on this product. Please study them and learn their meaning. Proper interpretation of these symbols will allow you to operate the product better and safer.

SYMBOL	NAME	DESIGNATION/EXPLANATION
	Safety Alert	Indicates a potential personal injury hazard.
	Read Operator's Manual	To reduce the risk of injury, user must read and understand operator's manual before using this product.
	Eye Protection	Always wear eye protection with side shields marked to comply with ANSI Z87.1.
	Wet Conditions Alert	Risk of fire and burns. Do not expose battery, battery compartment, or electronic components to rain, water, or liquids. Close cover during use. Do not operate on wet ground.
	Electric Shock	Failure to use in dry conditions and to observe safe practices can result in electric shock.
	Keep Hands and Feet Away	Keep hands and feet away from blade and cutting area.
	No Reach	Do not reach hands or feet under mower deck.
	No Slope	Do not operate on inclines greater than 15°. Mow across the face of slopes, never up and down.
	Keep Children and Bystanders Away	Keep all children and bystanders at least 100 ft. away.
	Ricochet	Thrown objects can ricochet and result in personal injury or property damage.

SYMBOLS

Some of the following symbols may be used on this product. Please study them and learn their meaning. Proper interpretation of these symbols will allow you to operate the product better and safer.

SYMBOL	NAME	DESIGNATION/EXPLANATION
	Recycle Symbol	This product uses lithium-ion (Li-ion) batteries. Local, state, or federal laws may prohibit disposal of batteries in ordinary trash. Consult your local waste authority for information regarding available recycling and/or disposal options.
— — —	Direct Current	Type or a characteristic of current
V	Volts	Voltage
A	Amperes	Current
Hz	Hertz	Frequency (cycles per second)
W	Watt	Power
hrs	Hours	Time

FEATURES

PRODUCT SPECIFICATIONS

Motor	40 Volt DC
Deck Size	20 in.
Height Adjustments	1-1/2 in. to 4 in.
Wheel Size.....	8 in. front, 10 in. rear

KNOW YOUR LAWN MOWER

See Figure 1.

The safe use of this product requires an understanding of the information on the product and in this operator's manual as well as a knowledge of the project you are attempting. Before use of this product, familiarize yourself with all operating features and safety rules.

BATTERY COVER

The battery cover protects the battery port from moisture and debris.

BATTERY STORAGE COMPARTMENT

The battery storage compartment offers a convenient place for storing your battery or to store an extra battery pack.

GRASS CATCHER

The grass catcher collects grass clippings and prevents them from being discharged across your lawn as you mow.

NOTE: Mower will not start without the grass catcher or mulch plug attached.

HEIGHT ADJUSTMENT LEVER

The height adjustment lever provides cutting height adjustments.

LED HEADLIGHTS

LED headlights are located on the front of the unit to illuminate your path in low light conditions. The lights will operate continuously whenever the motor is running.

NOTE: If the bail is pressed and released, the headlights will illuminate for 60 seconds.

MULCHING PLUG

When installed, the mulching plug covers the rear discharge opening and allows the mower blade to cut and recut for finer clippings.

NOTE: Mower will not start without the grass catcher or mulch plug attached.

START BUTTON AND BAIL

The start button and bail are located on the upper handle of the mower. Depress the start button then engage the bail to start the motor and blades. Release the bail to stop the motor.

NOTE: The motor and blades will also start if the bail is engaged first and the start button is pressed after.

START KEY

The start key must be inserted before the mower can be started.

TILT SENSOR

The tilt sensor prevents the unit from starting if it is in a vertical position or tilted at an angle greater than 45°.

ASSEMBLY

UNPACKING

This product requires assembly.

- Carefully remove the product and any accessories from the box. Make sure that all items listed in the packing list are included.

WARNING:

Do not use this product if any parts on the **Packing List** are already assembled to your product when you unpack it. Parts on this list are not assembled to the product by the manufacturer and require customer installation. Use of a product that may have been improperly assembled could result in serious personal injury.

- Inspect the product carefully to make sure no breakage or damage occurred during shipping.
- Do not discard the packing material until you have carefully inspected and satisfactorily operated the product.
- If any parts are damaged or missing, please call 1-800-860-4050 for assistance.

PACKING LIST

Lawn Mower
Start Key
Grass Catcher Bag and Frame
Mulching Plug
Operator's Manual

WARNING:

If any parts are damaged or missing, do not operate this product until the parts are replaced. Use of this product with damaged or missing parts could result in serious personal injury.

WARNING:

Do not attempt to modify this product or create accessories not recommended for use with this product. Any such alteration or modification is misuse and could result in a hazardous condition leading to possible serious personal injury.

WARNING:

Do not insert start key or battery pack until assembly is complete and you are ready to mow. Failure to comply could result in accidental starting and possible serious personal injury.

WARNING:

To prevent accidental starting, do not make any adjustments or installations with the start key or battery pack inserted. Accidental starting of the mower during assembly could result in serious personal injury.

WARNING:

Never operate the mower without the proper safety devices in place and working. Never operate the mower with damaged safety devices. Operating the mower with missing or damaged parts can result in serious personal injury.

UNFOLDING AND ADJUSTING THE HANDLE ASSEMBLY

See Figures 2 - 3.

NOTICE:

Do not allow the starter cable to become pinched or trapped when raising the handle.

To raise the lower handle:

- Pull the handle adjustment knobs out and rotate 90 degrees.
- Raise the lower handle.
- Rotate the knob 90 degrees again to secure handle in place.

To raise the upper handle:

- Move both levers to the unlocked position.
- Fully extend the upper handle.
- Move both levers to the locked position to secure the upper handle in place.
- To retract the upper handle, move both levers to the unlocked position and push the upper handle into the lower handle. Move both levers to the locked position to secure.

ASSEMBLING THE GRASS CATCHER

See Figures 4 - 5.

- Place the grass catcher frame on a flat surface with the handle facing down.
- Orient the grass catcher bag so the vinyl floor is facing up, then slide the bag onto the frame. When installing, allow the frame handle to remain outside the bag and make sure the bag seams are located at the frame edges.
- Pull the clip over the frame rail to secure in place.
- Lift the bag's vinyl floor to the top of the frame rail and secure in place.
- Using the same method, attach the remaining clips on each side of the bag to the frame rail to secure.

ASSEMBLY

INSTALLING THE GRASS CATCHER (FOR REAR BAGGING OPERATION)

See Figures 6 - 7.

NOTE: When using the grass catcher, do not install the mulching plug.

- Remove the start key and battery pack.
- Place the grass catcher onto the mower so the opening on the grass catcher covers the rear discharge opening and the grass catcher's metal locks are inside the slots on the mower housing.
- Gently push down on the grass catcher to ensure the metal locks are fully seated in the slots. The mower will not start if the metal locks are not fully seated.
- Reinstall the start key and battery pack when you are ready to mow.

INSTALLING THE MULCHING PLUG (FOR MULCHING OPERATION)

See Figure 8.

NOTE: When using the mulching plug, do not install the grass catcher.

- Remove the start key and battery pack.
- Insert the mulching plug into the mower's rear discharge opening and place the mulching plug's metal lock into the slot on the right side of the mower housing.

- Gently push down on the mulching plug to ensure the metal lock is fully seated in the slot. The mower will not start if the metal lock is not fully seated.
- Reinstall the start key and battery pack when you are ready to mow.

SETTING BLADE HEIGHT

See Figure 9.

When shipped, the blade on the mower is set to a low-cutting position. Before using the mower for the first time, raise the cutting position to the height best suited for your lawn. The average lawn should be between 1-1/2 in. to 2 in. during cool months and between 2 in. and 3-1/4 in. during hot months.

To adjust the blade height:

- Remove start key and battery pack.
- To raise the blade height, grasp the height adjustment lever and move it toward the back of the mower.
- To lower the blade height, grasp the height adjustment lever and move it toward the front of the mower.
- Reinstall start key and battery pack when you are ready to mow.

OPERATION

WARNING:

Do not allow familiarity with products to make you careless. Remember that a careless fraction of a second is sufficient to inflict serious injury.

WARNING:

Always wear eye protection with side shields marked to comply with ANSI Z87.1. Failure to do so could result in objects being thrown into your eyes resulting in possible serious injury.

WARNING:

Do not use any attachments or accessories not recommended by the manufacturer of this product. The use of attachments or accessories not recommended can result in serious personal injury.

WARNING:

Always inspect mower for missing or damaged parts and blade for damage, uneven, or excessive wear prior to use. Use of the mower with damaged or missing parts can result in serious personal injury.

WARNING:

Always remove battery packs and start key from your tool when you are assembling parts, making adjustments, cleaning, or when not in use. Following these instructions will prevent accidental starting that could cause serious personal injury.

OPERATION

NOTICE:

Before each use, inspect the entire product for damaged, missing, or loose parts such as screws, nuts, bolts, caps, etc. Tighten securely all fasteners and caps and do not operate this product until all missing or damaged parts are replaced. Please contact customer service or an authorized service center for assistance.

APPLICATIONS

You may use this product for the purpose listed below:

- Mowing your lawn



WARNING:

Always remove battery packs and start key when moving or transporting the mower to avoid accidental starting that could result in serious personal injury.

INSTALLING/REMOVING BATTERY PACK

See Figure 10.

- Raise the battery cover.
- Align raised ribs on battery pack with grooves in the battery port and install the battery pack into the mower.



WARNING:

Make sure the latch on the bottom of the battery pack snaps in place and the battery pack is fully seated and secure in the mower's battery port before beginning operation. Failure to securely seat the battery pack could cause the battery pack to fall out, resulting in serious personal injury.

- Lower the battery cover and make sure it is securely closed.

To remove battery pack:

- Raise the battery cover.
- Press and hold the battery latch button at the bottom of the battery pack.
- Remove battery pack from the mower.
- Lower the battery cover and make sure it is securely closed.

For complete charging instructions, refer to the Operator's Manuals for your RYOBI battery pack and charger models.



WARNING:

To avoid accidental starting that could result in serious personal injury, always remove the start key when moving or transporting the mower.

NOTE: The battery storage compartment offers a convenient place for storing your battery, or to store an extra battery pack. The unit cannot be powered by the battery while it is installed in the battery storage compartment; it must be moved to the battery port in order to power the unit from the battery port.

STARTING/STOPPING THE MOWER

See Figures 11 - 12.

NOTE: Mower will not start without the grass catcher or mulch plug attached, the start key installed, and the battery in the unit.

- Raise the battery cover.
- Install battery pack into the battery port.
- Insert the start key into the slot beside the battery storage compartment.
- Lower the battery cover.
- Raise the handle assembly as described earlier.

NOTE: The mower will not start if the handle assembly is not in the operating position.

- Press and hold the start button. Pull the bail toward the handle and release the button to start the mower and blades.

NOTE: The motor and blades will also start if the bail is pulled first and the start button is pressed after.

- To stop the mower, release the bail.

MOWING TIPS



WARNING:

Do not mow on wet grass, which can cause you to slip and fall and result in possible serious personal injury.

NOTE: Fully charge battery before each use for optimal runtime.

- Make sure the lawn is clear of stones, tree nuts, sticks, wires, and other objects that could damage the lawn mower blades or motor. Do not mow over property stakes or other metal posts. Such objects could damage the blade or be accidentally thrown by the mower in any direction and cause serious personal injury to the operator and others.
- For a healthy lawn, always cut off one-third or less of the total length of the grass.
- When cutting heavy grass, reduce walking speed to allow for more effective cutting and a proper discharge of the clippings.
- Do not cut wet grass. It will stick to the underside of the deck and prevent proper bagging or mulching of grass clippings.
- New or thick grass may require a narrower cut or a higher cutting height.

OPERATION

- Clean the underside of the mower deck after each use to remove grass clippings, leaves, dirt, and any other accumulated debris.

NOTE: Always stop mower, allow blades to completely stop, remove the start key and remove the battery pack from the battery port before cleaning underneath the mower.

SLOPE OPERATION

See Figure 13.

WARNING:

Slopes are a major factor related to slip and fall accidents that can result in severe injury. Operation on slopes requires extra caution. If you feel uneasy on a slope, do not mow it. For your safety, do not attempt to mow slopes greater than 15 degrees and mow across the face of slopes, not up and down.

- Mow across the face of slopes, not up and down. Exercise extreme caution when changing direction on slopes.
- Watch for holes, ruts, rocks, hidden objects, or bumps which can cause you to slip or trip. Tall grass can hide obstacles. Remove all objects such as rocks, tree limbs, etc., which could be tripped over or thrown by the blade.

- Always be sure of your footing. A slip and fall can cause serious personal injury. If you feel you are losing your balance, release the upper blade control lever immediately.
- Do not mow near drop-offs, ditches, or embankments; you could lose your footing or balance.

EMPTYING THE GRASS CATCHER

See Figure 14.

- Stop the mower and allow the blades to completely stop.
- Open the battery cover.
- Remove the start key and battery pack from the battery port.
- Lift the grass catcher by its handle to remove from mower.
- Empty grass clippings.
- Reinstall the grass catcher as described earlier in this manual.
- Reinstall the start key and battery pack when you are ready to mow.

MAINTENANCE

WARNING:

Before performing any maintenance or cleaning the lawn mower, make sure the mower blades come to a complete stop and the batteries and start key are removed to avoid accidental starting and possible serious personal injury.

WARNING:

Always wear eye protection with side shields marked to comply with ANSI Z87.1. Failure to do so could result in objects being thrown into your eyes resulting in possible serious injury.

WARNING:

When servicing, use only authorized replacement parts. Use of any other parts can create a hazard or cause product damage.

WARNING:

Never use a hose, water, or any liquids to clean or rinse off the lawn mower. Corrosive liquids, water, fertilizers, and chemicals used to treat lawns can enter the lawn mower and/or battery compartment and damage electronic components and/or the battery pack, which can result in a short circuit, increased risk of fire, and serious personal injury. Remove any buildup of grass and leaves on or around the mower housing and/or underneath the mower deck. Wipe the mower clean with a dry cloth occasionally.

NOTICE:

Periodically inspect the entire product for damaged, missing, or loose parts such as screws, nuts, bolts, caps, etc. Tighten securely all fasteners and caps and do not operate this product until all missing or damaged parts are replaced. Please contact customer service or an authorized service center for assistance.

GENERAL MAINTENANCE

Avoid using solvents when cleaning plastic parts. Most plastics are susceptible to damage from various types of commercial solvents and may be damaged by their use. Use clean cloths to remove dirt, dust, oil, grease, etc.

WARNING:

Do not at any time let brake fluids, gasoline, petroleum-based products, penetrating oils, etc., come in contact with plastic parts. Chemicals can damage, weaken, or destroy plastic which can result in serious personal injury.

LUBRICATION

All of the bearings in this product are lubricated with a sufficient amount of high grade lubricant for the life of the unit under normal operating conditions. Therefore, no further bearing lubrication is required.

WARNING:

Always protect hands by wearing heavy gloves and/or wrapping the cutting edges of the blade with rags and other material when performing blade maintenance. Contact with the blade could result in serious personal injury.

REPLACING THE CUTTING BLADE

See Figures 15 - 16.

NOTE: Only use authorized replacement blades.

- Stop the motor and remove the start key. Allow blade to come to a complete stop.
- Remove the battery pack from the battery port.
- Turn the mower on its side.
- Wedge a block of wood between the blade and mower deck to prevent the blade from turning.
- Loosen the blade nut by turning it counterclockwise (as viewed from bottom of mower) using a 15 mm wrench or socket (not provided).
- Remove the blade nut, spacer, blade insulator, and blade.
- Place the new blade on the shaft against the blade posts. Ensure blade is properly seated with shaft going through center blade hole and the two blade posts inserted into their respective holes on the blade. Make sure it is installed with the curved ends pointing up toward the mower deck and not down toward the ground. When seated properly, the blade should be flat.
- Replace the blade insulator and spacer, then thread the blade nut on the shaft and finger tighten.

NOTE: Make certain all parts are replaced in the exact order in which they were removed.

- Torque the blade nut down clockwise using a torque wrench (not provided) to ensure the bolt is properly tightened. The recommended torque for the blade nut is 310–360 in.lbs.

MAINTENANCE

WARNING:

Ensure blade is properly seated and the blade nut is tightened to the torque specifications above. Failure to properly attach the blade could cause it to come loose and result in possible serious personal injury.

STORING THE MOWER

See Figures 17 - 18.

WARNING:

Remove all battery packs from the battery port and battery storage compartment and start key and store indoors in a secure and dry location out of the reach of children to prevent unauthorized use of the lawn mower and possible serious personal injury.

- Before storage, wipe any dirt or debris from the battery area.
- Turn mower on its side and clean grass clippings that have accumulated on the underside of the mower deck.
- Wipe the mower clean with a dry cloth.
- Check all nuts, bolts, knobs, screws, fasteners, etc., for tightness.

- Inspect moving parts for damage, breakage, and wear. Have repairs made on any damaged or missing parts. Check blade for damage, uneven, or excessive wear and replace blade if these conditions exist.
- Store mower indoors in a clean, dry place out of the reach of children.
 - To store the mower in a horizontal position, lower the handle assembly. Avoid pinching or trapping any cables.
 - To store the mower in a vertical position, remove the grass bag, then lower the handle assembly. Avoid pinching or trapping any cables. Raise the mower 90° to rest on its rear support.

NOTE: Make sure the pins on the handle adjustment knobs are fully locked before attempting to raise the mower to the standing position.

NOTICE:

Do not allow the starter cable to become pinched or trapped when lowering the handle.

- Do not store near corrosive materials such as fertilizer or rock salt.

TROUBLESHOOTING

IF THESE SOLUTIONS DO NOT SOLVE THE PROBLEM CONTACT YOUR AUTHORIZED SERVICE DEALER.

PROBLEM	POSSIBLE CAUSE	SOLUTION
Handle not in position.	Handle adjustment knobs and/or handle lock levers are not secured.	Make sure handle adjustment knobs are fully seated and handle lock clips are fully locked.
Mower not starting.	Battery is low in charge. Start key not installed. Handle assembly is not in operating position. Grass catcher, mulch plug, or side discharge accessory not installed correctly.	Charge the battery. Install start key. Raise lower and upper handle. Check that grass catcher, mulch plug, or side discharge accessory is installed correctly.
Mower cutting grass unevenly.	Lawn is rough or cutting height not set properly.	Adjust the cutting height.
Mower not mulching properly.	Wet grass clippings sticking to the underside of the deck.	Wait until the grass dries before mowing.
Mower hard to push.	High grass, rear of mower housing and blade dragging in heavy grass, or cutting height too low.	Raise cutting height.
Mower not bagging properly.	Cutting height set too low. Grass blocking rear chute of mower.	Raise cutting height. Stop the motor, remove start key, and battery. Remove grass catcher bag and remove the blockage.
Mower vibrating at higher speed.	Blade is unbalanced, excessively or unevenly worn. Bent motor shaft.	Replace the blade. Stop the motor, remove start key, and battery. Inspect for damage. Have repaired by an authorized service center before restarting.
Motor stops while cutting.	Cutting height set too low.	Raise the cutting height.



MAKE THE MOST OF YOUR PURCHASE!

Go to <http://register.ryobitools.com> and register your new tool on-line.

Your product has been fully tested prior to shipment to ensure your complete satisfaction.

For any questions about operating or maintaining your product, call the RYOBI Help Line!

**This product has a Five-year Limited Warranty for personal, family, or household use (90 days for business or commercial use).
For warranty details, visit www.ryobitools.com
or call (toll free) 1-800-860-4050.**

NOTES

INSTRUCTIONS IMPORTANTES CONCERNANT LA SÉCURITÉ



AVERTISSEMENT :

LISEZ ET VEILLEZ À COMPRENDRE TOUTES LES INSTRUCTIONS. Le non respect des instructions énumérées ci-dessous et sur la machine pourrait résulter en un choc électrique, un incendie, et/ou des blessures sérieuses.

LIRE TOUTES LES INSTRUCTIONS

- Cet outil coupant est capable d'amputer des mains et des pieds et projeter des objets. Le non respect de toutes les instructions de sécurité pourrait résulter en des blessures graves ou la mort.
- Éviter les environnements dangereux – N'utilisez pas la tondeuse dans un environnement mouillé ou humide et ne l'utilisez pas durant la pluie.
- Garder les enfants à l'écart – Garder les badauds, enfants et animaux domestiques à une distance minimum de 30,5 m (100 pi). Arrêter la machine si quelqu'un entre dans la zone.
- Des accidents tragiques peuvent survenir si l'opérateur n'est pas conscient de la présence des enfants. Les enfants sont souvent attirés par la machine et l'activité de tondaison. Ne prenez jamais pour acquis que les enfants resteront à l'endroit où vous les avez vus la dernière fois.
 - Assurez-vous que les enfants soient éloignés de la zone de coupe et qu'ils soient supervisés par un adulte autre que l'opérateur.
 - Soyez vigilant et éteignez la tondeuse si un enfant s'approche.
 - Ne permettez jamais à des enfants d'utiliser la machine.
 - Redoublez la prudence quand vous vous approchez des coins, des arbustes, des arbres ou d'autres objets qui peuvent masquer la présence d'un enfant.
- Porter une tenue appropriée – Porter des pantalons longs, manches longues, des gants épais et des souliers de protection qui protégeront vos pieds et amélioreront votre équilibre sur des surfaces glissantes. Ne pas porter de vêtements amples, bijoux, shorts, sandales et ne pas travailler pieds nus. Ne porter aucun bijou. Ils peuvent être pris dans les parties en mouvement.
- Ne pas travailler hors de portée – Toujours se tenir bien campé et en équilibre. Le travail hors de portée risque de faire perdre l'équilibre.
- Ne laissez pas la tondeuse sans surveillance quand elle est allumée ou une fois la clé de démarrage fixée.
- Éloignez les mains et les pieds de la zone de coupe. Tenez vous éloigné de l'ouverture de décharge en tout temps.
- Utilisez la tondeuse seulement à la lumière du jour ou avec une bonne lumière artificielle.
- Porter des lunettes de sécurité – Toujours porter une protection oculaire munie d'écrans latéraux certifiée conforme à la norme ANSI Z87.1. Utilisez une masque faciale si l'utilisation produit de la poussière.
- Utilisez l'outil approprié – N'utilisez pas la tondeuse pour aucune tâche sauf celle pour laquelle elle est conçue.
- Ne forcez pas la tondeuse – Elle exécutera le travail mieux et de façon plus sécuritaire à la vitesse pour laquelle elle fut conçue.
- Ne pas charger le bloc-pile sous la pluie ou dans un endroit mouillé.
- Restez vigilant – Regardez ce que vous faites et utilisez votre meilleur jugement lorsque vous utilisez la tondeuse. N'utilisez pas la tondeuse si vous êtes fatigué, contrarié ou sous influence de drogues, d'alcool ou de médicaments. Un moment d'inattention pendant l'utilisation de la tondeuse peut résulter en une blessure grave.
- Faire l'entretien de la tondeuse avec soins – Gardez l'outil en bon état. Assurez-vous que les lames soient affûtées et que les dispositifs de protections soient en place et en état de fonctionnement. Remplacer les lames endommagées ou usées de façon inégale avant d'utiliser la tondeuse d'obtenir un rendement optimal.
- Vérifiez fréquemment si tous les écrous, boulons et vis sont serrés pour s'assurer que l'équipement est sécuritaire. Les lames de tondeuse sont tranchantes. Envelopper la lame ou porter des gants et prendre beaucoup de précautions lors de l'entretien.
- Ne pas jeter la pile au feu. La cellule peut exploser. Vérifier les codes locaux pour connaître toute instruction spéciale relative à l'élimination des piles.
- Arrêter le moteur, attendre que la lame s'arrête complètement et retirer la clé de démarrage et bloc-piles avant de réparation du produit, de nettoyer la tondeuse, d'enlever le collecteur d'herbe ou retrait du capuchon du broyeur.
- **Ne jamais utiliser un boyau, de l'eau ou une autre liquide pour nettoyer ou rincer la tondeuse.** Les liquides corrosifs, l'eau, l'engrais et les produits chimiques utilisés pour traiter les pelouses peuvent s'infiltrer dans la tondeuse et/ou le compartiment de la pile et endommager les composants électroniques et/ou le bloc-pile, ce qui peut entraîner un court-circuit, augmenter le risque d'incendie ou des blessures corporelles graves. Enlever toute accumulation d'herbes ou de feuilles sur ou autour du corp de la tondeuse et/ou en dessous de la plateforme de la tondeuse. Essuyer la tondeuse de temps en temps avec un linge sec.
- Remplacer la lame si elle est pliée ou fissurée. Une lame déséquilibrée provoque des vibrations qui peuvent endommager le moteur de l'appareil et provoquer des blessures. Affûter également les extrémités de la lame émoussée afin de maintenir l'équilibre. Nettoyer complètement la lame et vérifier son équilibre en la

INSTRUCTIONS IMPORTANTES CONCERNANT LA SÉCURITÉ

déposant à l'horizontale et en plaçant l'orifice du centre sur un petit clou. Le clou doit être placé à l'horizontale. Si l'une des extrémités de la lame tourne vers le bas, enlever un peu de métal de la partie épaisse inférieure de la lame jusqu'à ce que celle-ci soit équilibrée. Une lame équilibrée lorsqu'aucune extrémité n'est inclinée.




- Toujours, utiliser des dispositifs de protection. N'utilisez pas la tondeuse sans le collecteur d'herbe ou le capuchon du broyeur et porte arrière de décharge en place et fonctionne correctement.
- Ne pas ouvrir ou altérer le bloc-piles. L'électrolyte est un produit corrosif pouvant causer des lésions cutanées ou oculaires. Il peut être toxique en cas d'ingestion.
- Suivez les instructions du fabricant relatives à l'installation et l'utilisation des accessoires. Utilisez seulement des accessoires approuvés par le fabricant.
- Manipuler les batteries avec soin pour éviter des courts-circuits avec des objets conducteurs comme des anneaux, des bracelets et des clés. La batterie ou l'objet conducteur peuvent surchauffer et causer des brûlures.
- Nettoyez la zone de travail avant chaque utilisation. Enlevez tous les objets tels que les roches, noix d'arbres, les branches, métal, les fils, les os, les jouets et d'autres objets qui peuvent être projetés par la lame. Restez en arrière de la poignée quand le moteur est en marche.
- Empêcher les démarrages accidentels. S'assurer que la gâchette est en position d'arrêt avant d'insérer la bloc piles, de le ramasser ou de le transporter. Le fait de transporter un appareil en gardant le doigt sur la gâchette ou de mettre sous tension un appareil lorsque la gâchette est en position de marche favorise les accidents.
- Lorsque le bloc de batteries n'est pas en usage, le garder à l'écart d'articles tels qu'attaches trombones, pièces de monnaie, clous, vis et autres petits objets métalliques risquant d'établir le contact entre les deux bornes. Le court-circuitage des bornes peut causer des brûlures ou un incendie.
- En cas d'usage abusif, du liquide peut s'échapper des batteries. Éviter tout contact avec ce liquide. En cas de contact accidentel, rincer immédiatement les parties atteintes avec de l'eau. Si le liquide pénètre dans vos yeux, il faut aussi consulter un médecin. Le liquide s'échappant des batteries peut causer des irritations ou des brûlures.
- Ne pas utiliser un bloc-piles ou un appareil endommagé ou modifié. Le bris ou la modification du bloc-piles peut causer un comportement imprévisible et causer un incendie, une explosion ou des blessures.
- Ne pas exposer le bloc-piles ou l'outil à un feu ou à des températures excessives. Une exposition à un incendie ou à une température supérieure à 130 °C (265 °F) peut provoquer une explosion.
- Suivre toutes les instructions afférentes à la recharge et ne pas recharger le bloc-piles ou l'appareil hors des températures spécifiées dans les instructions. Une recharge incorrecte ou hors des températures spécifiées peut endommager la pile et augmenter les risques de feu.
- Ne modifiez pas ou n'essayez jamais de réparer l'appareil ou le bloc de batterie (selon le cas), sauf comme indiqué dans les instructions d'utilisation et d'entretien.
- Évitez les trous, les ornières, les roches, bornes de propriété ou d'autres objets cachés. Un terrain accidenté pourrait provoquer un glissement et vous faire tomber par accident.
- Ne tondez pas près des dépressions, fossés ou des berges.
- Tondez les pentes dans le sens transversal, jamais en montant ou en descendant. Soyez particulièrement prudent lors des changements de direction sur les terrains en pente.
- Planifiez le parcours de la tondeuse pour éviter d'éjecter les matériaux sur les routes, les trottoirs, les passants, etc. Évitez également d'éjecter les matériaux sur un mur ou une obstruction ce qui pourrait causer un matériau d'être projeté par ricochet en direction de l'opérateur.
- Ne tondez pas l'herbe mouillée ou sur des pentes excessivement raides. Une mauvaise position peut vous faire glisser et tomber par accident. Marchez, ne courez jamais.
- Redoublez la prudence si vous vous approchez des coins, des arbustes, des arbres ou d'autres objets qui vous cachent la vue.
- Ne tirez jamais la tondeuse vers l'arrière à moins que cela soit absolument nécessaire. Si vous devez tirer la tondeuse pour éviter un mur ou une obstruction, commencez par regarder en bas et en arrière pour ne pas trébucher ou tirando la podadora hacia los pies.
- N'éjectez jamais du matériel en direction de quelqu'un. Évitez d'éjecter le matériel sur un mur ou une obstruction. Le matériel pourrait être projeté par ricochet en direction de l'opérateur. Arrêtez la lame quand vous traversez des surfaces recouvertes de gravier.
- Des objets frappés par la lame de la tondeuse peuvent causer des sérieuses blessures. La pelouse devrait toujours être examinée attentivement et nettoyée de tout objet avant la tondaison.
- Si la tondeuse frappe un objet étranger, suivez ces étapes:
 - Arrêter la tondeuse en relâchant l'levier de commande de la lame, attendre que la lame s'arrête complètement, puis retirer la clé de démarrage.
 - Inspectez attentivement la tondeuse pour desceller les dommages.
 - Remplacer la lame si elle est endommagée de quelque façon que ce soit Réparez tout dommage avant de démarrer et de continuer à utiliser la tondeuse.

INSTRUCTIONS IMPORTANTES CONCERNANT LA SÉCURITÉ










- Arrêter le moteur, attendre que la lame s'arrête complètement et retirer la clé de démarrage avant de déboucher la goulotte. La lame continue de tourner pendant quelques secondes après que le moteur soit arrêté. Ne mettez jamais aucune partie du corps dans la proximité de la lame avant d'être certain que la lame a cessé de tourner.
- Si la tondeuse commence à vibrer de façon anormale, arrêtez le moteur, retirez la clé de démarrage et vérifiez immédiatement la cause. Remplacer la lame si elle est usée de façon inégale ou endommagée de quelque façon que ce soit. La vibration est généralement un signe d'un problème.
- Le produit doit être réparé par un personnel qualifié seulement. Des réparations ou l'entretien effectués par un personnel non qualifié pourrait résulter en des blessures pour l'utilisateur ou endommager le produit.
- L'assemblage du collecteur d'herbe peut se détériorer et s'user et doit être vérifié chaque fois avant d'utiliser la tondeuse à gazon. S'il doit être remplacé, s'assurer que le nouveau collecteur d'herbe répond aux exigences et aux spécifications du fabricant d'origine.
- Lors de réparation du produit, utilisez pièces de remplacement autorisées. Utiliser uniquement des lames de rechange identiques. L'utilisation des pièces non autorisées peut créer un risque d'une blessure sérieuse à l'utilisateur ou endommager le produit.
- Conserver ou remplacer les étiquettes d'instructions de sécurité, si nécessaire.
- Débrancher la pile et retirer la clé de démarrage – Débrancher le bloc-piles et retirer la clé de démarrage de l'appareil avant de le ranger, le réparer ou changer les accessoires tels que des lames. Ces mesures de sécurité réduisent les risques de démarrage accidentel de l'outil.
- Arrêter l'appareil et retirer le bloc de piles et clé de démarrage lorsqu'il n'est pas utilisé. Transporter ou pousser l'appareil lorsque le moteur est arrêté et d'avoir retiré la clé de démarrage de la tondeuse.
- Les outils fonctionnant piles n'ayant pas besoin d'être branchés sur une prise secteur, ils sont toujours en état de fonctionnement. Tenir compte des dangers possibles lorsque l'outil n'est pas en usage et lors du remplacement des piles. Le respect de cette règle réduira les risques d'incendie, de choc électrique et de blessures graves.
- Ne pas utiliser un appareil alimenté par pile sous la pluie.
- Retirer ou débrancher la pile avant l'entretien ou le nettoyage de l'outil de jardin ou avant d'en retirer des matériaux.
- Utiliser ce produit seulement avec les piles et les chargeurs indiqués dans le supplément de raccordement pour chargeur/outils/piles/appareil n° 988000-842.
- Ranger les appareils qui ne sont pas utilisés à l'intérieur – lorsque la tondeuse n'est pas utilisée, le ranger à l'intérieur dans un endroit sec et verrouillé hors de la portée des enfants. La clé de démarrage et les blocs-piles doivent être retirés et rangés dans un autre endroit et hors de la portée des enfants.
- Suivre les instructions de lubrification et de changement d'accessoires.
- Faire fonctionner cet appareil ne doit être permis qu'aux adultes responsables et familiers avec les instructions.
- Ne jamais faire fonctionner l'appareil dans un endroit clos.
- Ne jamais modifier les dispositifs de sécurité. Vérifier périodiquement l'état de fonctionnement.
- Conserver ces instructions. Les consulter fréquemment et les utiliser pour instruire les autres utilisateurs éventuels. Si cet outil est prêté, il doit être accompagné de ces instructions.

SYMBOLES

Les termes de mise en garde suivants et leur signification ont pour but d'expliquer le degré de risques associé à l'utilisation de ce produit.

SYMBOLE	SIGNAL	SIGNIFICATION
	DANGER :	Indique une situation dangereuse qui, si elle n'est pas évitée, aura pour conséquences des blessures graves ou mortelles.
	AVERTISSEMENT :	Indique une situation dangereuse qui, si elle n'est pas évitée, pourrait entraîner des blessures graves ou mortelles.
	ATTENTION :	Indique une situation dangereuse qui, si elle n'est pas évitée, pourrait entraîner des blessures légères ou de gravité modérée.
	AVIS :	(Sans symbole d'alerte de sécurité) Indique les informations jugées importantes sans toutefois représenter un risque de blessure (ex. : messages concernant les dommages matériels).

Certains des symboles ci-dessous peuvent être utilisés sur produit. Veiller à les étudier et à apprendre leur signification. Une interprétation correcte de ces symboles permettra d'utiliser produit plus efficacement et de réduire les risques.

SYMBOLE	NOM	DÉSIGNATION / EXPLICATION
	Symbole d'alerte de sécurité	Indique un risque de blessure potentiel.
	Lire manuel d'utilisation	Pour réduire les risques de blessures, l'utilisateur doit lire et veiller à bien comprendre le manuel d'utilisation avant d'utiliser ce produit.
	Protection oculaire	Toujours porter une protection oculaire munie d'écrans latéraux certifiée conforme à la norme ANSI Z87.1.
	Avertissement concernant l'humidité	Risque d'incendie et de brûlures. Ne pas exposer la pile, le compartiment de la pile, ou les composants électroniques à la pluie, l'eau ou d'autres liquides. Fermer le couvercle pendant l'utilisation. Ne pas opérer sur un sol humide.
	Choc électrique	Ne pas utiliser la machine dans un endroit sec ou ne pas respecter les pratiques de sécurité peut entraîner un choc électrique.
	Garder les mains et les pieds à l'écart	Garder les mains et les pieds à l'écart de la lame et de la zone de coupe.
	Se tenir loin	Ne pas mettre ses mains ou ses pieds en dessous du châssis de la tondeuse.
	Éviter les pentes	Ne pas utiliser sur des pentes de plus de 15°. Tondre les pentes dans le sens transversal, jamais en montant ou en descendant.
	Tenir les enfants et les curieux à bonne distance	Tenir les enfants et les curieux à une distance de 30,5 m (100 pi) au moins.

SYMBOLES

Certains des symboles ci-dessous peuvent être utilisés sur produit. Veiller à les étudier et à apprendre leur signification. Une interprétation correcte de ces symboles permettra d'utiliser produit plus efficacement et de réduire les risques.

SYMBOLE	NOM	DÉSIGNATION / EXPLICATION
	Ricochet	Les objets projetés peuvent ricocher et infliger des blessures ou causer des dommages matériels.
	Symbole de recyclage	Ce produit utilise les piles de lithium-ion (Li-ion). Les réglementations locales ou gouvernementales peuvent interdire de jeter les piles dans les ordures ménagères. Consulter les autorités locales compétentes pour les options de recyclage et/ou l'élimination.
==	Courant continu	Type ou caractéristique du courant
V	Volts	Tension
A	Ampères	Intensité
Hz	Hertz	Fréquence (cycles par seconde)
W	Watt	Puissance
hrs	Heures	Durée

CARACTÉRISTIQUES

CARACTÉRISTIQUES DU PRODUIT

Moteur	40 V c.c.
Dimension du plateau.....	508 mm (20 po)
Réglages de la hauteur.....	38,1 mm à 101,6 mm (1-1/2 po à 4 po)
Grandeur des roues.....	203,2 mm (8 po) en avant, 254 mm (10 po) en arrière

APPRENEZ À CONNAÎTRE VOTRE TONDEUSE

Voir la figure 1.

L'utilisation sécuritaire de ce produit nécessite une compréhension de l'information sur le produit et dans le manuel de l'utilisation ainsi que la connaissance du projet à effectuer. Avant d'utiliser ce produit, familiarisez-vous avec toutes les fonctions d'utilisation et les règles de sécurité.

COUVERCLE DES PILES

Le couvercle de pile protège le logement de piles contre les débris.

COMPARTIMENT DE RANGEMENT DE PILE

Le compartiment de rangement de la pile offre un espace pratique pour ranger la pile ou un bloc-piles additionnel.

COLLECTEUR D'HERBE

Le collecteur d'herbe recueille les brins d'herbe et empêche qu'ils soient éparpillés sur le gazon au moment de la tonte.

NOTE : La tondeuse ne démarrera pas si le collecteur d'herbe ou le bouchon de paillage n'est pas en place.

LEVIER DE RÉGLAGE DE LA HAUTEUR

Le levier de réglage de la hauteur permet d'effectuer des réglages de la hauteur.

PHARES DEL

Les phares DEL sont situés à l'avant de l'appareil pour éclairer la trajectoire lorsque la luminosité est faible. Les phares s'allumeront dès la mise en marche du moteur.

NOTE : Si l'anse est enfoncée puis relâchée, les phares s'allumeront pendant soixante secondes.

BOUCHON DE PAILLAGE

Lorsque le bouchon de paillage est installé, il couvre l'orifice de décharge arrière et permet à la lame de la tondeuse de couper et de recouper pour une coupe plus fine.

NOTE : La tondeuse ne démarrera pas si le collecteur d'herbe ou le bouchon de paillage n'est pas en place.

BOUTON DE DÉMARRAGE ET ANSE

Le bouton de démarrage et anse sont situés au haut de la poignée supérieure de la tondeuse. Enfoncer le bouton de démarrage puis appuyer sur la barre pour démarrer le moteur. et la lame Relâcher la barre pour arrêter le moteur.

NOTE : Le moteur et les lames démarrer également si l'anse est enfoncée en premier et que le bouton de démarrage est enfoncée après.

CLÉ DE DÉMARRAGE

Vous devez insérer la clé de démarrage avant que la tondeuse puisse démarrer.

CAPTEUR D'INCLINAISON

Le capteur d'inclinaison empêche l'appareil de démarrer s'il se trouve dans une position verticale ou incliné à un angle de plus de 45°.

ASSEMBLAGE

DÉBALLAGE

Ce produit nécessite l'assemblage.

- Retirez prudemment l'outil et les accessoires de la boîte. Assurez-vous que tous les articles énumérés dans la liste de colisage sont inclus.

AVERTISSEMENT :

Ne pas utiliser le produit si, en le déballant, vous constatez que des éléments figurant dans la **Liste d'expédition** sont déjà assemblés. Certaines pièces figurant sur cette liste n'ont pas été assemblées par le fabricant et exigent une installation. Le fait d'utiliser un produit qui a été assemblé de façon inadéquate peut entraîner des blessures.

- Vérifiez attentivement si l'outil n'a pas subi des dommages ou des bris pendant le transport.
- Ne jetez pas l'emballage avant d'avoir inspecté l'outil et avant d'avoir vérifié s'il fonctionne correctement.
- Si des pièces sont manquantes ou endommagées, veuillez appeler au 1-800-860-4050 pour obtenir de l'aide.

LISTE D'EXPÉDITION

Tondeuse

Clé de démarrage

Sac de collecteur d'herbe et support

Bouchon de paillage

Manuel d'utilisation

AVERTISSEMENT :

Si des pièces manquent ou sont endommagées, ne pas utiliser ce produit avant qu'elles aient été remplacées. Le fait d'utiliser ce produit même s'il contient des pièces endommagées ou s'il lui manque des pièces peut entraîner des blessures graves.

AVERTISSEMENT :

N'essayez pas de modifier cet outil ou de créer des accessoires non recommandés pour utilisation avec ce produit. Toute transformation ou modification de ce genre est un cas de mauvais usage qui peut créer des risques de blessures graves.

AVERTISSEMENT :

Ne insérer la clé de démarrage ou le bloc-piles compléter l'assemblage vous êtes prêt à tondre. Le non respect de cet avertissement pourrait résulter en un démarrage accidentel et des blessures corporelles graves.

AVERTISSEMENT :

Pour empêcher commencer accidentel, ne pas faire d'ajustement ou des installations avec la clé de démarrage ou le bloc-piles insérée. Le démarrage accidentel de la tondeuse pendant l'assemblage peut entraîner des blessures graves.

AVERTISSEMENT :

N'utilisez jamais la tondeuse sans les dispositifs de sécurité appropriés en place et en état de marche. N'utilisez jamais la tondeuse si les dispositifs de sécurité sont endommagés. Le fait d'utiliser la tondeuse si des pièces sont manquantes ou endommagées peut entraîner des blessures graves.

DÉVOILEMENT ET AJUSTEMENT ENSEMBLE DE POIGNÉE

Voir les figures 2 et 3.

AVIS :

Veiller à ne pas pincer ou d'attraper le câble de démarreur lors du l'abaissement du poignée.

Pour soulever de la poignée inférieure :

- Pousser les boutons de réglage de la poignée vers l'extérieur et les tourner sur 90 degrés.
- Relever la poignée inférieure.
- Tourner à nouveau le bouton sur 90 degrés pour immobiliser la poignée en place.

Pour soulever la poignée supérieure :

- Déplacer les deux leviers à la position déverrouillée.
- Déployer complètement la poignée supérieure.
- Déplacer les deux leviers à la position verrouillée pour fixer la poignée supérieure en place.
- Pour rétracter la poignée supérieure, déplacer les deux leviers à la position déverrouillée et pousser la poignée supérieure dans la poignée inférieure. Déplacer les deux leviers à la position verrouillée pour fixer.

ASSEMBLAGE DU COLLECTEUR D'HERBE

Voir les figures 4 et 5.

- Placer le support du collecteur d'herbe sur une surface plate avec la poignée faisant face vers le bas.
- Orienter le sac de collecteur d'herbe avec le plancher en vinyle faisant face vers le haut, et glisser le sac sur le cadre. Lors de l'installation, permettre à la poignée du support de demeurer à l'extérieur du sac et s'assurer que les coutures du sac sont situées sur les bords du support.
- Tirer l'attache par dessus le rail du support pour le fixer en place.

ASSEMBLAGE

- Soulever le plancher en vinyle du sac vers le haut du rail du support et fixer en place.
- Utiliser la même méthode pour fixer le reste des attaches de chaque côté du sac au rail du support.

INSTALLATION DU COLLECTEUR D'HERBE (POUR ARRIÈRE UTILISATION D'ENSACHAGE)

Voir les figures 6 et 7.

NOTE : En utilisant le collecteur d'herbe, ne pas installer le bouchon de paillage.

- Retirer la clé de démarrage et bloc-piles.
- Placer le collecteur d'herbe sur la tondeuse pour que l'ouverture du collecteur d'herbe couvre l'ouverture de décharge arrière et les verrous de métal du collecteur d'herbe dans les fentes sur le corps de la tondeuse.
- Pousser doucement sur le collecteur d'herbe pour assurer que les verrous de métal sont entièrement insérés dans les fentes. La tondeuse ne démarrera pas si les verrous de métal ne sont pas entièrement insérés.
- Réinstaller la clé de démarrage et le bloc-piles dès le moment de la tonte.

INSTALLATION DE BOUCHON DE PAILLAGE (POUR LE PAILLAGE)

Voir la figure 8.

NOTE : Lorsque vous utilisez le bouchon de paillage n'installez pas le bouchon de paillage.

- Retirer la clé de démarrage et bloc-piles.

- Insérer le bouchon de paillage dans l'ouverture de décharge arrière de la tondeuse et placer le verrou en métal du bouchon de paillage dans la fente sur le côté gauche du corps de la tondeuse.
- Pousser doucement sur le bouchon de paillage pour assurer que le verrou de métal est entièrement inséré dans la fente. La tondeuse ne démarrera pas si le verrou de métal n'est pas entièrement inséré.
- Réinstaller la clé de démarrage et le bloc-piles dès le moment de la tonte.

RÉGLAGE DE LA HAUTEUR DE LA LAME

Voir la figure 9.

Pour l'expédition, la lame de la tondeuse est réglées à la position de coupe au ras de sol. Avant d'utiliser la tondeuse pour la première fois, réglez la position de coupe à la hauteur la mieux adaptée à votre pelouse. Une pelouse moyenne devrait avoir de 38,10 mm à 50,80 mm (1-1/2 po à 2 po) pendant les mois de temps froid et entre 50,80 et 82,55 mm (2 po à 3-1/4 po) pendant les mois de temps chaud.

Pour régler la hauteur de la lame :

- Retirer la clé de démarrage et bloc-piles.
- Pour augmenter la hauteur de la lame, attrapez le levier de réglage de la hauteur et poussez-le vers l'arrière de la tondeuse.
- Pour diminuer la hauteur de la lame, attrapez le levier de réglage de la hauteur et poussez-le vers l'avant de la tondeuse.
- Réinstaller la clé de démarrage et le bloc-piles dès le moment de la tonte.

UTILISATION

AVERTISSEMENT :

Ne laissez pas la familiarité tirée d'une utilisation fréquente de ce type de produit atténuer votre vigilance. Souvenez-vous qu'une fraction de seconde d'inattention suffit à infliger des blessures graves.

AVERTISSEMENT :

Toujours porter une protection oculaire munie d'écrans latéraux certifiée conforme à la norme ANSI Z87.1. Si cette précaution n'est pas prise, des objets peuvent être projetés dans les yeux et causer des lésions graves.

AVERTISSEMENT :

N'utilisez aucun ajout ni accessoire non-recommandé par le fabricant de ce produit. L'utilisation des ajouts ou des accessoires non recommandés pourrait résulter en des blessures corporelles graves.

AVERTISSEMENT :

Inspectez toujours la tondeuse pour repérer les pièces endommagées ou manquantes, et la lame pour repérer les dommages, les inégalités ou une usure excessive avant de l'utiliser. Le fait d'utiliser ce produit même s'il contient des pièces endommagées ou s'il lui manque des pièces peut entraîner des blessures graves.

UTILISATION

AVERTISSEMENT :

Toujours retirer le bloc-piles et la clé de démarrage de l'outil pour assembler des pièces, faire des réglages, nettoyer ou dès la fin de l'utilisation. Respecter ces instructions évitera un démarrage accidentel et les blessures graves.

AVIS :

Avant chaque utilisation, inspecter au complet le produit afin de s'assurer qu'aucune pièce (vis, écrous, boulons, chapeaux, etc.) n'est endommagée, manquante ou desserrée. Serrer solidement toutes les pièces de fixation et les chapeaux et ne pas utiliser le produit tant que toutes les pièces manquantes ou endommagées n'ont pas été remplacées. Se il vous plaît communiquer avec le service à la clientèle ou un centre de réparations agréé.

APPLICATIONS

Vous pouvez utiliser cet outil pour les tâches énumérées ci-dessous :

- Tondaison de votre pelouse

AVERTISSEMENT :

Retirez toujours les blocs-piles et la clé de démarrage pour déplacer ou transporter la tondeuse afin d'éviter un démarrage accidentel qui pourrait causer des blessures graves.

INSTALLATION/RETRAIT DU BLOC-PILES

Voir la figure 10.

- Ouvrir la couvercle des piles.
- Aligner les nervures sur le bloc-piles avec les rainures de la prise de pile et insérer le bloc-piles sur la tondeuse.

AVERTISSEMENT :

S'assurer que le loquet au bas du bloc-piles s'enclenche et que le bloc-piles est installé et fixé correctement au tondeuse avant de commencer le travail. Ne pas installer et fixer correctement le bloc-piles peut provoquer la chute de ce dernier et occasionner des blessures graves.

- Fermeture la couvercle des piles et s'assurer que la couvercle tiennent fermement.

Retrait du bloc-piles

- Ouvrir la couvercle des piles.
- Appuyer sur le loquet sur le bas du bloc-piles pour le séparer du tondeuse.
- Retirer le bloc-piles du tondeuse.
- Fermeture la couvercle des piles et s'assurer que la couvercle tiennent fermement.

Pour prendre connaissance de l'ensemble des instructions relatives à la charge, consulter les manuels d'utilisation des batteries de RYOBI et des modèles de chargeur connexes

AVERTISSEMENT :

Pour éviter le démarrage accidentel pouvant causer des blessures graves, toujours retirer la clé de démarrage lors du déplacement ou du transport de la tondeuse.

NOTE : Le compartiment de rangement de la pile offre un espace pratique pour ranger la pile ou un bloc-piles additionnel. L'appareil n'est pas alimenté par la pile lorsque cette dernière se trouve dans le compartiment de rangement de la pile. La pile doit être insérée dans la prise de la pile afin de pouvoir alimenter l'appareil.

DÉMARRAGE/ARRÊT DE LA TONDEUSE

Voir les figures 11 et 12.

- Ouvrir la couvercle des piles.
- Insérer le bloc-piles dans la prise de la pile.
- Insérer la clé de démarrage dans la fente à proximité du compartiment de rangement de pile.
- Fermeture la couvercle des piles.
- Soulever l'ensemble de la poignée comme décrit précédemment.

NOTE : La tondeuse ne démarrera pas si l'ensemble de la poignée n'est pas en position de fonctionnement.

- Appuyer sur le bouton de démarrage. Tirer le anse vers la poignée et relâcher le bouton pour démarrer la tondeuse et les lames.

NOTE : Le moteur et les lames démarrer également si le anse vers la est enfoncé en premier et que le bouton de démarrage sont enfoncé après.

- Pour arrêter la tondeuse, relâcher le anse.

CONSEILS DE TONDAISON

AVERTISSEMENT :

Ne tondez pas du gazon mouillé; vous pourriez glisser et tomber, et vous causer ainsi de graves blessures.

NOTE : Charger complètement les piles avant chaque utilisation pour une autonomie optimale.

- Assurez-vous que la pelouse est libre des pierres, noix d'arbres, des branches, des fils et d'autres objets qui pourraient endommager le moteur ou les lames de la tondeuse. Ne pas faire passer la tondeuse par-dessus les bornes de propriété ou autres poteaux en métal. De tels objets pourraient endommager la lame ou être accidentellement projetés par la tondeuse dans toutes directions et causer des blessures graves à l'opérateur ou aux autres.

UTILISATION

- Pour une pelouse en santé, coupez toujours un-tiers ou moins de la longueur totale de l'herbe.
- Quand vous coupez de l'herbe épaisse, marchez plus lentement pour permettre à l'outil à couper plus efficacement et à éjecter les brins de façon appropriée.
- Ne coupez pas de l'herbe humide. Elle collera au-dessous du châssis et empêche l'ensachage ou le déchiquetage appropriés des brins d'herbe.
- De l'herbe nouvelle ou épaisse peut nécessiter une coupe plus étroite ou augmentez la hauteur de coupe.
- Nettoyez le dessous du châssis après chaque utilisation pour enlever les brins d'herbes, les feuilles, la saleté et tout autre débris accumulé.

NOTE : Toujours arrêter la tondeuse, attendre l'arrêt complet des lames, retirer la clé de démarrage et retirer le bloc-piles de la prise de pile avant de nettoyer le dessous de la tondeuse.

UTILISATION SUR LES PENTES

Voir la figure 13.



AVERTISSEMENT :

Les pentes sont un facteur majeur relié aux glissements et des chutes accidentelles qui peuvent résulter en des blessures graves. L'utilisation de la tondeuse sur les pentes nécessite des précautions spéciales. Si vous n'êtes pas confortable sur une pente, ne la tondez pas. Pour votre sécurité, n'essayez pas de tondre des pentes de plus de 15 degrés et tondez les pentes dans le sens transversal, jamais en montant ou en descendant.

- Tondez les pentes dans le sens transversal, jamais en montant ou en descendant. Soyez particulièrement prudent lors des changements de direction sur les terrains en pente.

- Faites attention aux trous, ornières, roches, objets cachés ou bosses qui peuvent provoquer un glissement ou une chute. De l'herbe haute peut cacher des obstacles. Enlevez tous les objets tels que les roches, les racines, etc. qui peuvent être projetés par la lame ou qui pourraient provoquer une chute.
- Soyez toujours sûr de votre position. Un glissement ou une chute peuvent causer une blessure grave. Si vous sentez que vous perdez l'équilibre, relâchez immédiatement la levier de commande de la lame supérieure.
- Ne tondez pas près des dépressions, des fossés ou des berges; vous pourriez perdre l'équilibre.

VIDER LE COLLECTEUR D'HERBE

Voir la figure 14.

- Arrêter la tondeuse, laisser les lames s'arrêter complètement.
- Ouvrez le logement de piles.
- Retirer la clé de démarrage et débrancher le bloc-piles de la prise de pile.
- Soulever le collecteur d'herbe par sa poignée afin de le retirer de la tondeuse.
- Jetez les brins d'herbe.
- Réinstaller le collecteur d'herbe, comme décrit précédemment dans le présent manuel.
- Réinstaller la clé de démarrage et le bloc-piles dès le moment de la tonte.

ENTRETIEN

AVERTISSEMENT :

Avant d'effectuer de l'entretien ou de nettoyer la tondeuse, s'assurer que les lames de la tondeuse sont complètement immobiles et que les piles et la clé de démarrage sont enlevées pour empêcher un démarrage accidentel ou des possibles blessures corporelles graves.

AVERTISSEMENT :

Toujours porter une protection oculaire munie d'écrans latéraux certifiée conforme à la norme ANSI Z87.1. Si cette précaution n'est pas prise, des objets peuvent être projetés dans les yeux et causer des lésions graves.

AVERTISSEMENT :

Utiliser exclusivement des pièces autorisées pour les réparations. L'usage de toute autre pièce pourrait créer une situation dangereuse ou endommager le produit.

AVERTISSEMENT :

Ne jamais utiliser un boyau, de l'eau ou une autre liquide pour nettoyer ou rincer la tondeuse. Les liquides corrosifs, l'eau, l'engrais et les produits chimiques utilisés pour traiter les pelouses peuvent s'infiltrer dans la tondeuse et/ou le compartiment de la pile et endommager les composants électroniques et/ou le bloc-pile, ce qui peut entraîner un court-circuit, augmenter le risque d'incendie ou des blessures corporelles graves. Enlever toute accumulation d'herbes ou de feuilles sur ou autour du corp de la tondeuse et/ou en dessous de la plateforme de la tondeuse. Essuyer la tondeuse de temps en temps avec un linge sec.

AVIS :

Inspecter périodiquement au complet le produit afin de s'assurer qu'aucune pièce (vis, écrous, boulons, chapeaux, etc.) n'est endommagée, manquante ou desserrée. Serrer solidement toutes les pièces de fixation et les chapeaux et ne pas utiliser le produit tant que toutes les pièces manquantes ou endommagées n'ont pas été remplacées. Se il vous plaît communiquer avec le service à la clientèle ou un centre de réparations agréé.

ENTRETIEN GÉNÉRAL

Évitez d'utiliser des solvants quand vous nettoyez des pièces en plastique. La plupart des plastiques résistent mal aux plusieurs types de solvants de commerce et peuvent être endommagés par leur utilisation. Utilisez des chiffons secs pour enlever la saleté, la poussière, l'huile, la graisse, etc.

AVERTISSEMENT :

Ne permettez jamais à ce que les liquides pour freins, la gazoline, les produits à base de pétrole, les huiles dégriffantes, etc entrent en contact avec les pièces en plastique. Les produits chimiques peuvent endommager, affaiblir ou détruire le plastique ce qui peut résulter en des blessures graves.

LUBRIFICATION

Tous les roulements de cet outil sont lubrifiés à l'aide d'une quantité suffisante de lubrifiant de haute qualité pour toute la durée de l'outil dans des conditions normales d'utilisation. Alors, aucune lubrification ultérieure n'est nécessaire.

AVERTISSEMENT :

Protégez toujours vos mains en portant des gants épais ou en enveloppant les bords tranchants de la lame avec des chiffons ou d'autre matériau quand vous effectuez l'entretien de la lame. Contact avec la lame résulter en des blessures graves.

REMPACEMENT DE LA LAME

Voir les figures 15 et 16.

NOTE : Utiliser seulement des pièces de remplacement lames.

- Arrêtez le moteur et coupez l'alimentation électrique et retirez la clé de démarrage. Attendez que la lame s'immobilise complètement.
- Retirer le bloc-piles de la prise de pile.
- Tournez la tondeuse de côté.
- Mettez une pièce de bois entre la lame et le châssis de la tondeuse pour empêcher la lame de tourner.
- Desserrez l'écrou de la lame en le tournant dans le sens antihoraire (par rapport au bas de la tondeuse) en utilisant une clé de 15 mm ou une douille (non fournies).
- Enlevez l'écrou de lame, l'écarteur, l'isolant de lame et la lame.

ENTRETIEN

- Placez la nouvelle lame sur l'arbre contre les tiges pour lame. S'assurer que la lame est bien appuyée sur l'arbre. Celui-ci doit passer dans le trou central de la lame et les deux tiges pour lame doivent s'insérer dans leur trou respectif sur la lame. Assurez-vous que les bouts incurvés soient orientés en direction du châssis de la tondeuse et non en direction du sol. Une fois bien appuyée, la lame devrait être à plat.
- Remettez l'isolant de lame et l'écarteur, vissez l'écrou de lame sur l'arbre et serrez à main.
NOTE : Assurez-vous que toutes les pièces soient replacées dans l'ordre exact dans lequel elles ont été enlevées.
- Serrez l'écrou de lame sens horaire en utilisant une clé dynamométrique (non fournie) pour s'assurer que l'écrou est bien serré. Le couple de serrage recommandé pour l'écrou de lame est de 310 à 360 po-lbs.

AVERTISSEMENT :

S'assurer que la lame est assise correctement et que l'écrou de lame est serré au couple indiqué ci-dessus. Ne pas fixer correctement la lame peut provoquer un relâchement de cette dernière et représenter un risque de blessure grave.

ENTREPOSAGE DE LA TONDEUSE

Voir les figures 17 et 18.

AVERTISSEMENT :

Retirer tous les blocs-piles de la prise de pile et du compartiment de rangement de pile ainsi que la clé de démarrage et ranger dans un endroit sûr à l'intérieur et hors de portée des enfants, afin d'éviter l'utilisation non autorisée de la tondeuse à gazon et de possibles blessures graves.

- Avant de ranger le produit, essuyer toute saleté ou tout débris se trouvant dans l'environnement de la pile.
- Tournez la tondeuse sur un côté et nettoyez les brins d'herbe accumulés en dessous du châssis de la tondeuse.
- Essuyez la tondeuse avec un chiffon sec.
- Vérifiez si les écrous, les boulons, les boutons, les vis, les attaches, etc sont serrés.
- Vérifiez si les pièces détachables ne sont pas endommagées, brisées ou usées. Faites réparer toutes les pièces manquantes ou endommagées. Vérifier si la lame est endommagée ou si elle est usée de façon inégale ou excessive, et la remplacer le cas échéant.
- Entrez la tondeuse à l'intérieur dans un endroit propre et sec, loin de la portée des enfants.
 - Pour pouvoir ranger la tondeuse à l'horizontale, abaisser l'ensemble de poignée. Éviter de pincer ou de coincer les câbles.
 - Pour ranger la tondeuse à la verticale, retirer le sac à herbe et abaisser l'ensemble de poignée. Éviter de pincer ou de coincer les câbles. Soulever la tondeuse à 90° pour qu'elle repose son support arrière.

NOTE : S'assurer que les tiges des boutons de réglage de la poignée sont verrouillées correctement avant de tenter le soulèvement de la tondeuse en position verticale.

AVIS :

Veiller à ne pas pincer ou d'attraper le câble de démarreur lors du levage du poignée.

- N'entrez pas près des matériaux corrosifs tels que les engrais ou le sel gemme.

DÉPANNAGE

SI LES PRÉSENTES SOLUTIONS NE RÉSOLVENT PAS LE PROBLÈME, CONTACTER LE CENTRE DE RÉPARATIONS AGRÉÉ.

PROBLÈME	CAUSE POSSIBLE	SOLUTION
Poignée en mauvaise position.	Les boutons de réglage de la poignée et/ou les pinces de blocage de la poignée ne sont pas fixés correctement.	S'assurer que les boutons de réglage de la poignée sont complètement assis et que les pinces de blocage de la poignée sont correctement fermées.
La tondeuse ne démarre pas.	La pile est basse dans la charge. Clé de démarrage non installé. L'ensemble de poignée n'est pas en position de fonctionnement. Le collecteur d'herbe, le bouchon de paillage ou l'accessoire d'éjection latérale n'est pas installé correctement.	Charger le bloc-pile. Installer le clé de démarrage. Soulever les poignées inférieure et supérieure. Vérifier que le collecteur d'herbe, le bouchon de paillage ou l'accessoire d'éjection latérale est installé correctement.
La tondeuse coupe l'herbe de façon inégale.	La pelouse est raboteuse ou la hauteur de la coupe n'est pas bien réglée.	Régler la hauteur de coupe.
La tondeuse ne broie pas correctement.	Des brins d'herbe humides sont collés au-dessous du châssis.	Attendez que l'herbe sèche avant de tondre.
Il est difficile de pousser la tondeuse.	L'herbe est haute, l'arrière du carter de la tondeuse et la lame traînent dans de l'herbe épaisse ou la hauteur de coupe est trop basse.	Augmentez la hauteur de coupe.
La tondeuse n'ensache pas l'herbe adéquatement.	La hauteur de coupe est trop basse. De l'herbe bloque la chute arrière de la tondeuse.	Augmentez la hauteur de coupe. Arrêtez le moteur, retirer la clé de démarrage et la pile. Enlever le sac du collecteur d'herbe et dégager l'obstruction.
La tondeuse vibre à une vitesse élevée.	La lame est déséquilibrée, usée de façon excessive ou inégale. L'arbre du moteur plié.	Remplacer la lame. Arrêtez le moteur, retirer la clé de démarrage et la pile. Inspecter les pièces afin de s'assurer qu'elles ne sont pas endommagées. Faites réparer par un centre de réparations agréé avant de redémarrer.
Si le moteur s'arrête pendant la tonte de la pelouse.	La hauteur de coupe est trop basse.	Augmentez la hauteur de coupe.



TIREZ LE MEILLEUR PARTI DE VOTRE ACHAT!

Visitez le site <http://register.ryobitools.com> pour enregistrer votre nouvel outil en ligne.

Ce produit a été entièrement testé avant expédition pour assurer la complète satisfaction de l'utilisateur.

Pour toute question concernant l'utilisation ou l'entretien du produit, appeler le service d'assistance téléphonique RYOBI!

Ce produit est accompagné d'une garantie limitée de cinq (5) ans pour utilisation personnel, familiales ou domestiques (90 jours pour utilisation affaires ou commerciaux).

Pour obtenir les détails de la garantie, visiter le site www.ryobitools.com ou appeler (sans frais) au 1-800-860-4050.

NOTES

INSTRUCCIONES DE SEGURIDAD IMPORTANTES



ADVERTENCIA:

LEA Y COMPRENDA TODAS LAS INSTRUCCIONES. El incumplimiento de las instrucciones señaladas abajo y en la máquina puede causar descargas eléctricas, incendios y/o lesiones serias.

LEA TODAS LAS INSTRUCCIONES

- Esta máquina de corte es capaz de amputar manos y pies, y de lanzar objetos. La inobservancia de todas las instrucciones de seguridad puede causar lesiones serias o la muerte.
- Evite ambientes peligrosos – No use la podadora de pasto en condiciones húmedas o mojadas ni la utilice en la lluvia.
- Mantenga alejados a los niños – Mantenga alejados a todos los circunstantes, niños y animales a una distancia mínima de 30,5 m (100 pies). Detenga la máquina si alguien ingresa al área.
- Pueden producirse accidentes trágicos si el operador no está alerta a la presencia de niños. Los niños suelen sentirse atraídos por la máquina y la actividad de la podadora. Nunca dé por sentado que los niños permanecerán donde los vio por última vez.
 - Mantenga a los niños alejados del área de podado y bajo la cuidadosa supervisión de un adulto responsable que no sea el operador.
 - Esté alerta y apague la podadora si un niño entra en el área.
 - Nunca permita que un niño utilice la máquina.
 - Tenga cuidado extremo al acercarse a esquinas ciegas, arbustos, árboles u otros objetos que puedan impedirle ver a un niño.
- Vístase adecuadamente – Póngase pantalones largos de tela gruesa, mangas largas, guantes y use calzado de seguridad que le proteja sus pies y mejore su postura en superficies resbaladizas. No se ponga ropa holgada o pantalones cortos, sandales ni ande descalzo. No se ponga joyas de ninguna clase. Pueden quedar atrapadas en las piezas móviles.
- Ne pas travailler hors de portée – Toujours se tenir bien campé et en équilibre. Se puede perder el equilibrio al tratar de alcanzar demasiado lejos.
- No deje desatendida la podadora de pasto mientras la tenga encendida o con la llave del arranque instalada.
- Mantenga las manos y los pies alejados del área de corte. Manténgase alejado de la abertura de descarga en todo momento.
- Utilice la podadora de pasto únicamente a la luz del día o con buena luz artificial.
- Utilice gafas de seguridad – Siempre utilice protección para los ojos con escudos laterales que cumplan con ANSI Z87.1. Si el proceso es polvoriento, utilice una careta.
- Utilice el aparato adecuado para la tarea – No utilice la podadora de pasto para ninguna función diferente de las especificadas.
- No fuerce la podadora de pasto – Efectúa el trabajo mejor y de manera más segura, si se utiliza a la velocidad para la que está diseñada.
- No cargue la batería bajo la lluvia o en ubicaciones húmedas.
- Permanezca alerta – Preste atención a lo que esté haciendo y use el sentido común al utilizar la podadora de pasto. No utilice la podadora cuando está cansado, molesto o bajo la influencia de drogas, alcohol o medicamentos. Un momento de descuido al utilizar la podadora de pasto puede causar lesiones serias.
- Mantenga la podadora de pasto con cuidado – Mantenga la máquina en buenas condiciones de trabajo. Mantenga las cuchillas afiladas, y las protecciones en su lugar y en buenas condiciones de trabajo. Reemplace las cuchillas dañadas o desgastadas de forma irregular antes de usar la podadora para obtener el mejor desempeño.
- Revise el apriete de todas las tuercas, pernos y tornillos con frecuencia para verificar la seguridad de las condiciones de funcionamiento del equipo. Las cuchillas de la podadora son filosas. Envuelva la cuchilla o utilice guantes y sea extremadamente precavido cuando las repare.
- No deseche la batería en el fuego. Las baterías pueden estallar. Verifique los códigos de la localidad para conocer posibles instrucciones especiales para desecharlas.
- Apague el motor y espere hasta que la cuchilla se detenga completamente y retire la llave de arranque de fusible y paquete de baterías antes de dar servicio a la unidad, de limpiar la podadora de pasto, retirar el receptor de hierba o extraer el tapón para trituración de pasto para fertilizar.
- **Nunca use una manguera, agua ni otros líquidos para limpiar o enjuagar la podadora.** Los líquidos corrosivos, el agua, los fertilizantes y los productos químicos utilizados con las podadoras pueden ingresar a la unidad o al compartimiento de la batería y dañar los componentes eléctricos o el paquete de la batería, lo que podría resultar en un corto circuito, mayor riesgo de incendio y lesiones personales graves. Retire la acumulación de pasto y hojas alrededor de la carcasa de la podadora o debajo de la plataforma de la podadora. Limpie la podadora con un trapo seco de manera ocasional.
- Cambie la cuchilla si está doblada o fisurada. Una cuchilla mal equilibrada ocasiona vibraciones que podrían dañar la unidad impulsora del motor o causar lesiones personales. Afile la cuchilla desafilada de la misma manera en cada extremo para mantener el equilibrio. Limpie profundamente la cuchilla y verifique el equilibrio apoyándola horizontalmente sobre un clavo delgado

INSTRUCCIONES DE SEGURIDAD IMPORTANTES




- a través del orificio central. El clavo debe encontrarse en posición horizontal. Si alguno de los extremos de la cuchilla gira hacia abajo, extraiga algo de metal de la parte pesada del extremo inferior hasta que la cuchilla quede equilibrada. La cuchilla estará equilibrada cuando ninguno de los extremos gire hacia abajo.
- Siempre utilice dispositivos de protección. No utilice la podadora si no tiene el receptor de hierba o la protección de descarga, el tapón para trituración de pasto y la puerta de descarga trasera en sus debidos lugares y en perfectas condiciones de funcionamiento.
 - No abra ni dañe el paquete de baterías. El electrolito emitido es corrosivo y puede causar daños en los ojos y en la piel. Puede ser tóxico si se ingiere.
 - Siga las instrucciones del fabricante para el correcto manejo e instalación de los accesorios. Sólo utilice accesorios aprobados por el fabricante.
 - Tenga cuidado cuando maneje baterías a fin de no realizar un cortocircuito en la batería con materiales conductores como anillos, brazaletes y llaves. La batería o el conductor pueden recalentarse y provocar quemaduras.
 - Despeje el área de trabajo cada vez antes de utilizar esta herramienta. Retire todos los objetos como piedras, nueces de árbol, palos, frutos secos, metal, alambre, huesos, juguetes u otros objetos que puedan ser lanzados por la cuchilla. Permanezca detrás del mango mientras el motor esté en funcionamiento.
 - Evite el encendido accidental. Asegúrese de que el interruptor esté en la posición de apagado antes de conectarlo a la batería, al levantar o mover la herramienta. Portar aparatos con el dedo en el interruptor, o conectarlas con el interruptor puesto, propicia accidentes.
 - Cuando no esté usando el paquete de baterías, manténgalo alejado de todo objeto metálico como clips, monedas, llaves, clavos, tornillos u otros objetos metálicos pequeños que puedan establecer conexión entre ambas terminales. Establecer una conexión directa entre las dos terminales puede causar quemaduras o incendios.
 - Si se maltratan las pilas, puede derramarse líquido de las mismas; evite todo contacto con éste. En caso de contacto, lávese con agua. Si el líquido entra en contacto con los ojos, también busque atención médica. El líquido que sale despedido de la batería puede causar irritaciones o quemaduras.
 - No utilice un paquete de baterías o un artefacto que esté dañado o modificado. Las baterías dañadas o modificadas pueden tener un funcionamiento impredecible que provoque incendios, explosiones o riesgo de lesiones.
 - No exponga el paquete de baterías o el artefacto al fuego o a temperaturas excesivas. La exposición al fuego o a temperaturas sobre los 130 °C (265 °F) puede provocar explosiones.
 - Siga todas las instrucciones de carga y no cargue el paquete de baterías ni el aparato fuera del rango de temperaturas especificado en las instrucciones. Si realiza la carga en forma incorrecta o fuera de las temperaturas del rango especificado puede dañar la batería y aumentar el riesgo de incendios.
 - No modifique ni intente reparar el dispositivo o el paquete de baterías (según corresponda) excepto según se indica en las instrucciones de uso y mantenimiento.
 - Evite pozos, surcos, montículos, rocas, estacas que indican los límites de la propiedad u otros objetos ocultos. El terreno desnivelado puede causar un accidente por resbalón y caída.
 - No pade el pasto cerca de precipicios, zanjas o terraplenes.
 - Pade atravesando el frente de las pendientes; nunca hacia arriba ni hacia abajo. Tenga mucha precaución al cambiar de dirección en una pendiente.
 - Planifique su patrón de podado para evitar la descarga de material en caminos, aceras, circunstancias y demás. Además, evite descargar material contra una pared u obstrucción que pueda hacer que el material rebote hacia el operador.
 - No pade la hierba cuando está mojada ni en pendientes excesivamente empinadas. Una postura mal afirmada puede causar un accidente por resbalón y caída. Camine, no corra nunca.
 - Tenga cuidado extremo al acercarse a esquinas ciegas, arbustos, árboles u otros objetos que puedan impedirle ver.
 - No tire de la podadora hacia atrás a menos que sea absolutamente necesario. Si debe retroceder la podadora para alejarla de una pared u obstrucción, primero mire hacia abajo y hacia atrás para evitar tropezar o tirando la podadora hacia los pies.
 - Nunca dirija el material descargado hacia una persona. Evite descargar el material contra una pared u obstrucción. El material puede rebotar hacia el operador. Detenga la cuchilla cuando cruce por superficies de grava.
 - Los objetos golpeados por la cuchilla de la podadora de pasto pueden causar graves heridas a las personas. Siempre debe examinarse el pasto con cuidado y despejarlo de cualquier objeto antes de cada poda.
 - Si la podadora de pasto golpea un objeto extraño, siga estos pasos:
 - Detenga la podadora de césped soltando el palanca de control de la hoja, espere hasta que la cuchilla se detenga por completo y luego.
 - Inspeccione minuciosamente la podadora para ver si tiene daños.
 - Reemplace la cuchilla si presenta algún tipo de daño. Repare todo daño antes de volver a arrancar la podadora y continuar utilizándola.

INSTRUCCIONES DE SEGURIDAD IMPORTANTES










- Detenga el motor, espere hasta que la cuchilla se detenga por completo y retire la llave del arranque antes de limpiar la bolsa colectora. La cuchilla continúa girando durante algunos segundos después de que se apaga el motor. Nunca coloque ninguna parte del cuerpo en el área de la cuchilla hasta que esté seguro de que la cuchilla ha dejado de girar.
- Si la podadora comienza a vibrar de manera anormal, detenga el motor, extraiga la llave de arranque e inspecciónela inmediatamente para determinar la causa. Reemplace la cuchilla si presenta algún tipo de daño o si se ha desgastado de forma irregular. La vibración es generalmente una advertencia de problemas.
- Sólo personal de reparación calificado debe dar servicio al producto. Todo servicio o mantenimiento efectuado por personal no calificado puede significar un riesgo de lesiones al usuario, y de daños físicos al producto.
- El conjunto del receptor de hierba está sujeto a deterioro y a desgaste, y se debe revisar todas las veces que use la podadora. Si es necesario algún repuesto, asegúrese de que el receptor de hierba nuevo cumpla con las recomendaciones y especificaciones del fabricante.
- Al dar servicio a este producto, sólo utilice únicamente repuestos autorizado. Utilice solo cuchillas de repuesto idénticas a las originales. El empleo de piezas no autorizadas puede significar un riesgo de lesiones serias al usuario, o de daños físicos al producto.
- Mantenga las etiquetas de instrucciones de seguridad en buen estado o cámbielas, según sea necesario.
- Desconecte la batería y extraiga la llave de arranque. Desconecte el paquete de baterías y extraiga la llave de arranque del aparato antes de almacenarlo, realizarle mantenimiento o cambiarle los accesorios, como las hojas. Con tales medidas preventivas de seguridad se reduce el riesgo de poner en marcha accidentalmente la herramienta.
- Apague la unidad y desconecte el paquete de baterías y llave del arranque cuando no esté en uso. Transporte o empuje la unidad con el motor detenido y la llave de arranque extraída de la podadora.
- Las herramientas de baterías no se necesitan conectar a una toma de corriente; por lo tanto, siempre están en condiciones de funcionamiento. Esté consciente de los posibles peligros cuando no esté usando la herramienta de baterías o cuando esté cambiando los accesorios de la misma. Con el cumplimiento de esta regla se reduce el riesgo de una descarga eléctrica, incendio o lesión corporal seria.
- No use aparatos accionados por baterías en la lluvia.
- Quite o desconecte la batería antes de proporcionarle servicio, realizarle una limpieza o quitar material del aparato para el cuidado del jardín.
- Usar este producto únicamente con la baterías y el cargadors indicados en el folleto de la herramienta/ aparato/paquete de baterías/cargador complementario 988000-842.
- Guarde en el interior los aparatos que no se están usando – Cuando no se está usando, se debe guardar la recortadora de hilo en el interior, en un lugar seco y cerrado con llave del arranque, inaccesible a los niños. También debe extraer la llave de arranque y los paquetes de baterías y almacenarlos en una ubicación separada lejos del alcance de los niños.
- Siga las instrucciones para lubricar y cambiar accesorios.
- Solo permita que esta máquina sea operada por personas adultas responsables que estén familiarizadas con las instrucciones.
- Nunca opere la máquina en un espacio cerrado.
- Nunca altere los dispositivos de seguridad. Compruebe periódicamente que la máquina funcione correctamente.
- Guarde estas instrucciones. Consúltelas con frecuencia y empléelas para instruir a otras personas que puedan utilizar esta herramienta. Si presta a alguien esta herramienta, facilítele también las instrucciones.

SÍMBOLOS

Las siguientes palabras de señalización y sus significados tienen el objeto de explicar los niveles de riesgo relacionados con este producto.



SÍMBOLO	SEÑAL	SIGNIFICADO
	PELIGRO:	Indica una situación peligrosa, la cual, si no se evita, causará la muerte o lesiones serias.
	ADVERTENCIA:	Indica una situación peligrosa, la cual, si no se evita, podría causar la muerte o lesiones serias.
	PRECAUCIÓN:	Indica una situación peligrosa la cual, si no se evita, puede causar lesiones leves o moderadas.
	AVISO:	(Sin el símbolo de alerta de seguridad) Indica la información que se considera importante, pero no relacionada con lesiones potenciales (por ej. en relación a daños a la propiedad).

Es posible que se empleen en este producto algunos de los siguientes símbolos. Le suplicamos estudiarlos y aprender su significado. Una correcta interpretación de estos símbolos le permitirá utilizar mejor y de manera más segura el producto.

SÍMBOLO	NOMBRE	DENOMINACIÓN/EXPLICACIÓN
	Alerta de seguridad	Indica un peligro posible de lesiones personales.
	Lea manual del operador	Para reducir el riesgo de lesiones, el usuario debe leer y comprender el manual del operador antes de usar este producto.
	Protección ocular	Siempre póngase protección ocular con protección lateral con la marca de cumplimiento de la norma ANSI Z87.1.
	Alerta de condiciones húmedas	Riesgo de incendio y quemaduras. No exponga la batería, el compartimento de la batería o componentes electrónicos a la lluvia, el agua o líquidos. Cierre la tapa durante el uso. No use la herramienta en pisos húmedos.
	Descarga eléctrica	Si no se usa la unidad en condiciones secas y no se observan prácticas seguras de trabajo, puede producirse una descarga eléctrica.
	Mantenga las manos y los pies alejados.	Mantenga las manos y los pies alejados de las cuchillas y del área de corte.
	No extenderse	No extienda las manos o los pies por debajo de la cubierta de la podadora.
	No utilizar sobre pendientes	No utilice la podadora sobre pendientes superiores a los 15°. Corte sobre la superficie de las pendientes y nunca de arriba a abajo.
	Mantenga alejados a los niños y circunstantes	Mantenga a los niños y otras personas alejadas a una distancia mínima de 30,5 m (100 pies).

SÍMBOLOS

Es posible que se empleen en este producto algunos de los siguientes símbolos. Le suplicamos estudiarlos y aprender su significado. Una correcta interpretación de estos símbolos le permitirá utilizar mejor y de manera más segura el producto.

SÍMBOLO	NOMBRE	DENOMINACIÓN/EXPLICACIÓN
	Rebote	Cualquier objeto lanzado puede rebotar y producir lesiones personales o daños físicos.
	Símbolo de reciclado	Este producto utiliza baterías de iones de litio (Li-ion). Es posible que algunas leyes municipales, estatales o federales prohíban desechar las baterías en la basura normal. Consulte a las autoridades reguladoras de desechos para obtener información en relación con las alternativas de reciclado y desecho disponibles.
≡	Corriente continua	Tipo o característica de corriente
V	Volts	Voltaje
A	Amperes	Corriente
Hz	Hertz	Frecuencia (ciclos por segundo)
W	Watts	Potencia
hrs	Horas	Tiempo

CARACTERÍSTICAS

ESPECIFICACIONES DEL PRODUCTO

Motor	40 V CC
Tamaño de la unidad	508 mm (20 pulg.)
Ajustes de altura.....	38,1 mm a 101,6 mm (1-1/2 pulg. a 4 pulg.)
Tamaño de las ruedas	203,2 mm (8 pulg.) delanteras; 254 mm (10 pulg.) traseras

FAMILIARÍCESE CON SU PODADORA DE PASTO

Vea la figura 1.

Para usar este producto con la debida seguridad se debe comprender la información indicada en el producto mismo y en este manual, y se debe comprender también el trabajo que intenta realizar. Antes de usar este producto, familiarícese con todas las características de funcionamiento y normas de seguridad del mismo.

TAPA DE LAS BATERÍAS

El compartimiento de almacenamiento de la batería ofrece un lugar cómodo para almacenar la batería o para almacenar un paquete de baterías adicional.

COMPARTIMIENTO DE ALMACENAMIENTO DE LA BATERÍA

El compartimiento de almacenamiento de la batería ofrece un lugar conveniente para almacenar su batería cuando no la use o para almacenar un paquete de baterías adicional.

RECEPTOR DE HIERBA

El receptor de hierba acumula lo que ya ha cortado y evita que se desparrame mientras continúa cortando el césped.

NOTA: La podadora no arrancará sin el receptor de hierba o el tapón de trituración colocados.

PALANCA DE AJUSTE DE ALTURA

La palanca de ajuste de altura brinda ajustes de la altura de corte.

LUCES DELANTERAS LED

Las luces delanteras LED están ubicadas en el frente de la unidad para iluminar el camino en condiciones de poca iluminación. Las luces funcionarán siempre que el motor se encuentre en funcionamiento.

NOTA: Si presiona la asa, las luces delanteras se iluminarán durante sesenta segundos.

TAPÓN PARA TRITURACIÓN

Cuando está instalado, el tapón para trituración cubre la abertura de descarga trasera y permite que la hoja de la podadora corte y recorte para lograr recortes más finos.

NOTA: La podadora no arrancará sin el receptor de hierba o el tapón de trituración colocados.

BOTÓN DE ARRANQUE Y ASA

El botón de arranque y la asa están ubicados en el mango superior de la podadora. Presione el botón de arranque y luego enganche el gancho para arrancar el motor y la cuchilla. Suelte el gancho para detener el motor.

NOTA: El motor y las cuchillas también se encender si se presiona primero la asa de arranque y luego se oprima el botón de arranque.

LLAVE DEL ARRANQUE

La llave del arranque debe introducirse antes de arrancar la podadora.

SENSOR DE INCLINACIÓN

El sensor de inclinación evita que la unidad arranque si está en posición vertical o inclinada en un ángulo mayor de 45°.

ARMADO

DESEMPAQUETADO

Este producto requiere armarse.

- Extraiga cuidadosamente de la caja la herramienta y los accesorios. Asegúrese de que estén presentes todos los artículos enumerados en la lista de empaquetado.

ADVERTENCIA:

No utilice este producto si alguna pieza incluida en la **Lista de empaquetado** ya está ensamblada al producto cuando lo desempaqueta. El fabricante no ensambla las piezas de esta lista en el producto. Éstas deben ser instaladas por el usuario. El uso de un producto que puede haber sido ensamblado de forma inadecuada podría causar lesiones personales graves.

- Inspeccione cuidadosamente la herramienta para asegurarse de que no haya sufrido ninguna rotura o daño durante el transporte.
- No deseche el material de empaquetado sin haber inspeccionado cuidadosamente la herramienta y haberla utilizado satisfactoriamente.
- Si hay piezas dañadas o faltantes, le suplicamos llamar al 1-800-860-4050, donde le brindaremos asistencia.

LISTA DE EMPAQUETADO

Podadora

Llave del arranque

Bolsa y armazón del receptor de hierba

Tapón para trituración

Manual del operador

ADVERTENCIA:

Si hay piezas dañadas o faltantes, no utilice este producto sin haber reemplazado todas las piezas. Usar este producto con partes dañadas o faltantes puede causar lesiones serias al operador.

ADVERTENCIA:

No intente modificar este producto ni hacer accesorios no recomendados para el mismo. Cualquier alteración o modificación constituye maltrato y puede causar una condición peligrosa, y como consecuencia posibles lesiones serias.

ADVERTENCIA:

No meta llave del arranque o paquete de baterías sin haber terminado de armarla y usted está listo para cortar. De lo contrario la unidad puede ponerse en marcha accidentalmente, con el consiguiente riesgo de lesiones serias.

ADVERTENCIA:

Para prevenir empezar accidental, no hace ningún ajuste ni las instalaciones con la llave del arranque o paquete de baterías metida. El arranque accidental de la podadora durante el armado puede causar lesiones graves.

ADVERTENCIA:

Nunca utilice la podadora sin que los dispositivos de seguridad adecuados estén colocados y en funcionamiento. Nunca utilice la podadora con dispositivos de seguridad dañados. El funcionamiento de la podadora con piezas dañadas o faltantes puede ocasionar lesiones graves.

DESPLEGAR Y AJUSTAR EL CONJUNTO DE MANGOS

Vea las figuras 2 y 3.

AVISO:

No permita que se enreden el cable del arrancador pellizque al levantar de los mangos.

Para levantar el mango inférieure:

- Tire de las perillas de ajuste del mango hacia afuera y gire a 90 grados.
- Levantar el mango inférieure.
- Gire la perilla 90 grados nuevamente para asegurar el mango en su lugar.

Para levantar el mango superior:

- Mueva ambas palancas hacia la posición desbloqueada.
- Extienda totalmente el mango superior.
- Mueva ambas palancas hacia la posición bloqueada para asegurar el mango superior en su lugar.
- Para retraer el mango superior, mueva ambas palancas hacia la posición desbloqueada y empuje el mango superior hacia el mango inferior. Mueva ambas palancas hacia la posición bloqueada para asegurar el mango en su lugar.

ARMADO DEL RECEPTOR DE HIERBA

Vea las figuras 4 y 5.

- Coloque el armazón del receptor de hierba sobre una superficie plana con el mango orientado hacia abajo.
- Oriente la bolsa del receptor de hierba de modo que el piso de vinilo quede hacia arriba y, luego, deslice el armazón en la bolsa. Al instalarlo, deje que el mango del armazón quede fuera de la bolsa y asegúrese de que las costuras de la bolsa queden en los bordes del armazón.
- Enganche el clip por sobre la barra del armazón para asegurarlo.

ARMADO

- Levante el piso de vinilo de la bolsa hasta la parte superior de la barra del armazón para asegurarlo.
- Utilizando el mismo método, enganche los clips restantes a cada lado de la bolsa a la barra del armazón para asegurarlo.

INSTALACIÓN DEL RECEPTOR DE HIERBA (OPERACIÓN DE ENSACADO TRASERO)

Vea las figuras 6 y 7.

NOTA: Cuando se usa el receptor de hierba, no instala el tapón para trituración.

- Retire la llave del arranque y paquete de baterías.
- Coloque el receptor de hierba en la podadora de modo que la abertura del receptor cubra la abertura de descarga trasera y los dispositivos de seguridad de metal del receptor queden insertados en las ranuras de la carcasa de la podadora.
- Empuje el receptor de hierba suavemente hacia abajo para asegurarse de que los dispositivos de seguridad de metal queden bien insertados en las ranuras. La podadora no arrancará si los dispositivos de seguridad de metal no quedan bien colocados.
- Vuelva a instalar la llave del arranque y el paquete de baterías cuando esté listo para podar el pasto.

INSTALACIÓN DEL TAPÓN PARA TRITURACIÓN (PARA LA OPERACIÓN DE TRITURACIÓN)

Vea la figura 8.

NOTA: Cuando se usa la tapón para trituración, no instala el receptor de hierba.

- Retire la llave del arranque y paquete de baterías.

- Inserte el tapón de trituración en la abertura de descarga trasera y coloque el dispositivo de seguridad de metal del tapón en la ranura del lado derecho de la carcasa de la podadora.
- Empuje el tapón de trituración suavemente hacia abajo para asegurarse de que el dispositivo de seguridad de metal quede bien colocado en la ranura. La podadora no arrancará si el dispositivo de seguridad de metal no está bien colocado.
- Vuelva a instalar la llave del arranque y el paquete de baterías cuando esté listo para podar el pasto.

AJUSTE DE LA ALTURA DE LA CUCHILLA

Vea la figura 9.

Para enviarlas, la cuchilla de la podadora se ajustan en una posición de corte bajo. Antes de usar la podadora por primera vez, ajuste la posición de corte a la altura más adecuada para su pasto. El pasto promedio debe tener una longitud de entre 38,10 mm (1-1/2 pulg.) y 50,80 mm (2 pulg.) durante los meses fríos, y entre 50,80 mm (2 pulg.) y 82,55 mm (3-1/4 pulg.) durante los meses calurosos.

Para ajustar la altura de la cuchilla:

- Retire la llave del arranque y paquete de baterías.
- Para levantar la altura de la cuchilla, tome la palanca de ajuste de altura y muévala hacia la parte posterior de la podadora.
- Para bajar la altura de la cuchilla, tome la palanca de ajuste de altura y muévala hacia la parte delantera de la podadora.
- Vuelva a instalar la llave del arranque y el paquete de baterías cuando esté listo para podar el pasto.

FUNCIONAMIENTO

ADVERTENCIA:

No permita que su familiarización con este tipo de producto lo vuelva descuidado. Tenga presente que un descuido de un instante es suficiente para causar una lesión grave.

ADVERTENCIA:

Siempre utilice protección para los ojos con escudos laterales que cumplan con ANSI Z87.1. La inobservancia de esta advertencia puede causar el lanzamiento de objetos a los ojos, y por consecuencia posibles lesiones serias.

ADVERTENCIA:

No utilice ningún aditamento o accesorio no recomendado por el fabricante de este producto. El empleo de aditamentos o accesorios no recomendados puede causar lesiones serias.

ADVERTENCIA:

Siempre inspeccione la podadora para ver si faltan partes o están dañadas, y la cuchilla para ver si hay un desgaste excesivo, o está despareja o dañada. Usar este producto con falta o está dañada alguna pieza podría tener como resultado herida personal grave.

FUNCIONAMIENTO

ADVERTENCIA:

Siempre retire el paquete de baterías y la llave de arranque de la herramienta cuando esté ensamblando partes, realizando ajustes, limpiando o cuando ésta no esté en uso. Si sigue estas instrucciones evitará un arranque accidental que podría provocar lesiones personales graves.

AVISO:

Antes de cada uso, inspeccione todo el producto para detectar partes dañadas, faltantes o sueltas, como tornillos, tuercas, pernos, tapas, etc. Apriete firmemente todos los sujetadores y las tapas y no accione este producto hasta que todas las partes faltantes o dañadas sean reemplazadas. Póngase en contacto con el servicio al cliente o con un centro de servicio autorizado para obtener ayuda.

USOS

Esta herramienta puede emplearse para el fin señalado abajo:

- Podar el pasto

ADVERTENCIA:

Siempre quite los paquetes de baterías y la llave de arranque al transportar o mover la podadora para evitar el arranque incidental, que podría causar daños severos e, incluso, la muerte.

INSTALAR Y DESMONTAJE LOS PAQUETES DE BATERÍAS

Vea la figura 10.

- Abra la tapa de las baterías.
- Alinee las costillas realzadas del paquete de baterías con las ranuras del puerto de la batería e instale el paquete de baterías en la podadora.

ADVERTENCIA:

Asegúrese de que el pestillo en la parte inferior del paquete de baterías entre adecuadamente en su lugar y que el paquete de baterías esté bien colocado y asegurado en el puerto de batería de la podadora antes de que encenderla. Una falla en colocar el paquete de baterías de forma segura puede causar que el paquete de baterías se desprenda y termine provocando lesiones corporales serias.

- Cierre la tapa de las baterías y asegúrese de que esté bien sujeto.

Extracción del paquete de baterías:

- Abra la tapa de las baterías.
- Presione y mantenga presionado el botón de la traba de las baterías de la parte inferior del paquete de baterías.
- Retire de la podadora el paquete de baterías.
- Cierre la tapa de las baterías y asegúrese de que esté bien sujeto.

Para ver las instrucciones de carga completas, consulte los manuales del operador del paquete de baterías RYOBI y los modelos de cargador.

ADVERTENCIA:

Para evitar un arranque accidental que pueda provocar lesiones personales graves, siempre extraiga la llave de arranque cuando mueva o transporte la podadora.

NOTA: El compartimiento de almacenamiento de la batería ofrece un lugar cómodo para almacenar la batería, o para almacenar un paquete de baterías adicional. La unidad no se puede alimentar con la batería mientras esta esté instalada en el compartimiento de almacenamiento de la batería, debe moverse al puerto de la batería para alimentar la unidad desde el puerto de la batería.

ENCENDIDO Y APAGADO DE LA PODADORA

Vea las figuras 11 y 12.

- Abra la tapa de las baterías.
- Instale el paquete de baterías en el puerto de la batería.
- Coloque la llave del arranque en la ranura al lado de la compartimiento de almacenamiento de la batería.
- Cierre la tapa de las baterías.
- Eleve el conjunto del mango como se describió anteriormente.

NOTA: La podadora no arrancará si el conjunto del mango no está en la posición de funcionamiento.

- Oprima y no suelte el botón de arranque. Tire de la asa hacia el mango y suelte el botón para arrancar la podadora y las cuchillas.

NOTA: El motor y las cuchillas también se encender si se tire de la asa hacia el mango y luego se presiona el botón de arranque.

- Para detener la podadora, suelte de la asa.

SUGERENCIAS PARA EL PODADO

ADVERTENCIA:

No pade en césped mojado, ya que puede caer al suelo y tener lesiones personales graves.

NOTA: Cargue completamente la batería antes de cada uso para lograr un rendimiento óptimo.

FUNCIONAMIENTO

- Asegúrese de que el pasto no tenga piedras, nueces de árbol, palos, alambres ni otros objetos que puedan dañar las cuchillas o el motor de la podadora de pasto. No corte sobre estacas que indican los límites de la propiedad o sobre otros postes metálicos. Dichos objetos podrían ser dañados o lanzados accidentalmente por la podadora en cualquier dirección y provocar lesiones serias al operador y a otras personas.
 - Para tener un pasto saludable, siempre corte un tercio o menos de la longitud total de la hierba.
 - Al cortar hierba frondosa, reduzca la velocidad mientras camina para poder obtener un corte más eficaz y una descarga adecuada de los recortes.
 - No corte la hierba cuando esté mojada. Se pegará a la parte inferior del piso e impedirá evita el embolsado o la trituración adecuada del césped cortado.
 - La hierba nueva o gruesa puede requerir un corte más bajo o una mayor altura de corte.
 - Limpie la parte inferior del piso de la podadora después de cada uso para eliminar recortes de hierba, hojas, suciedad y otros desechos acumulados.
- NOTA:** Siempre detenga la podadora, permita que las hojas se detengan completamente, retire la llave de arranque y extraiga el paquete de baterías del puerto de la batería antes de limpiar debajo de la podadora.

MANEJO EN PENDIENTES

Vea la figura 13.

ADVERTENCIA:

Las pendientes son una de las causas principales de accidentes por resbalones y caídas que pueden provocar lesiones graves. El manejo en pendientes requiere precaución extra. Si se siente inseguro en una pendiente, no la pade. Para su seguridad, no intente podar pendientes de más de 15 grados y en pendientes, avance transversalmente y no hacia arriba ni hacia abajo.

- Pade atravesando las pendientes; no hacia arriba ni hacia abajo. Tenga mucha precaución al cambiar de dirección en una pendiente.
- Tenga cuidado con los pozos, surcos, piedras, objetos ocultos o montículos que puedan provocar que se resbale o tropiece. La hierba alta puede ocultar obstáculos. Retire todos los objetos como piedras, ramas de árboles, etc., que puedan provocar tropezones o ser lanzados por la cuchilla.
- Siempre asegúrese de su postura. Un resbalón y caída puede provocar lesiones serias. Si siente que está perdiendo el equilibrio, suelte el palanca de control de la hoja superior inmediatamente.
- No pade el pasto cerca de precipicios, zanjas o terraplenes; podría perder la firmeza de la postura o el equilibrio.

VACIADO DEL RECEPTOR DE HIERBA

Vea la figura 14.

- Detenga la podadora, y espere a que las cuchillas se detengan por completo.
- Abra la tapa de las baterías.
- Retire la llave de arranque y el paquete de baterías del puerto de la batería.
- Levante el receptor de césped del mango para retirarlo de la podadora.
- Vacíe los recortes de hierba.
- Reinstale el receptor de césped como se indicó anteriormente en este manual.
- Vuelva a instalar la llave del arranque y el paquete de baterías cuando esté listo para podar el pasto.

MANTENIMIENTO

ADVERTENCIA:

Antes de realizar tareas de mantenimiento o limpiar la podadora, asegúrese de que las hojas de la podadora se detengan por completo y de quitar las baterías y la llave de arranque para evitar el arranque accidental y posibles lesiones personales.

ADVERTENCIA:

Siempre póngase protección ocular con protección lateral con la marca de cumplimiento de la norma ANSI Z87.1. Si no cumple esta advertencia, los objetos que salen despedidos pueden producirle lesiones serias en los ojos.

ADVERTENCIA:

Al dar servicio a la unidad, sólo utilice piezas de repuesto autorizadas. El empleo de piezas diferentes puede causar un peligro o dañar el producto.

ADVERTENCIA:

Nunca use una manguera, agua ni otros líquidos para limpiar o enjuagar la podadora. Los líquidos corrosivos, el agua, los fertilizantes y los productos químicos utilizados con las podadoras pueden ingresar a la unidad o al compartimiento de la batería y dañar los componentes eléctricos o el paquete de la batería, lo que podría resultar en un corto circuito, mayor riesgo de incendio y lesiones personales graves. Retire la acumulación de pasto y hojas alrededor de la carcasa de la podadora o debajo de la plataforma de la podadora. Limpie la podadora con un trapo seco de manera ocasional.

AVISO:

Inspeccione periódicamente todo el producto para detectar partes dañadas, faltantes o sueltas, como tornillos, tuercas, pernos, tapas, etc. Apriete firmemente todos los sujetadores y las tapas y no accione este producto hasta que todas las partes faltantes o dañadas sean reemplazadas. Póngase en contacto con el servicio al cliente o con un centro de servicio autorizado para obtener ayuda.

MANTENIMIENTO GENERAL

Evite el empleo de solventes al limpiar piezas de plástico. La mayoría de los plásticos son susceptibles a diferentes tipos de solventes comerciales y pueden resultar dañados. Utilice paños limpios para eliminar la suciedad, el polvo, el aceite, la grasa, etc.

ADVERTENCIA:

No permita en ningún momento que fluidos para frenos, gasolina, productos a base de petróleo, aceites penetrantes, etc., lleguen a tocar las piezas de plástico. Las sustancias químicas pueden dañar, debilitar o destruir el plástico, lo cual a su vez puede producir lesiones corporales serias.

LUBRICACIÓN

Todos los cojinetes de este producto están lubricados con suficiente cantidad de aceite de alta calidad para toda la vida útil de la unidad en condiciones normales de funcionamiento. Por lo tanto, no se necesita lubricación adicional de los cojinetes.

ADVERTENCIA:

Siempre protéjase las manos usando guantes gruesos y/o envolviendo los bordes de corte de la cuchilla con paños y otro material al realizar el mantenimiento de la cuchilla. Contacto con la hoja podría causar lesiones serias.

REEMPLAZO DE LA CUCHILLA

Vea las figuras 15 y 16.

NOTA: Utilice únicamente piezas de repuesto autorizadas.

- Apague el motor y retire la llave del arranque. Permita que la cuchilla se detenga por completo.
- Extraiga el paquete de baterías del puerto de la batería.
- Gire la podadora sobre su costado.
- Introduzca a presión un bloque de madera entre la cuchilla y el piso de la podadora para evitar que la cuchilla gire.
- Afloje la tuerca de la cuchilla al girarlo a la izquierda (como se observa en la base de la podadora) usando una llave de tuercas o de boca tubular de 15 mm (no se suministra).
- Retire la tuerca de la cuchilla, el separador, el aislante de cuchilla y la cuchilla.
- Coloque la cuchilla nueva en el eje contra los montantes de cuchilla. Asegúrese de que la cuchilla esté correctamente asentada con el eje pasando por el orificio central de la cuchilla y los dos postes insertados en los respectivos orificios sobre la cuchilla. Asegúrese de que esté instalada con los extremos curvos orientados hacia arriba, donde está el piso de la podadora, y no hacia abajo, donde está el suelo. Si está asentada correctamente, la cuchilla permanecerá plana.
- Vuelva a colocar el aislante de cuchilla y el separador; luego, enrosque la tuerca de la cuchilla en el eje y apriétela con los dedos.

NOTA: Asegúrese de volver a colocar todas las piezas en el orden exacto en que fueron retiradas.

MANTENIMIENTO

- Apriete la tuerca de la cuchilla derecha usando una llave dinamométrica (no suministrada) para asegurar que el perno esté apretado correctamente. La fuerza de torsión recomendada para la tuerca de la cuchilla es de 310 a 360 lb-pulg.

ADVERTENCIA:

Asegúrese de que la hoja esté correctamente asentada y que la tuerca de la hoja esté ajustada según las especificaciones de par de torsión anteriores. Si no conecta la hoja correctamente, puede aflojarse y generar posibles lesiones personales graves.

GUARDADO DE LA PODADORA

Vea las figuras 17 y 18.

ADVERTENCIA:

Quite todos los paquetes de baterías del puerto de la batería y el compartimiento de almacenamiento de la batería, además de la llave de arranque, y guarde la unidad en interiores, en un lugar seguro y seco, fuera del alcance de los niños, para evitar el uso no autorizado de la podadora de césped y posibles lesiones personales.

- Antes de guardar, limpie el polvo o los residuos del área de la batería.
- Gire la podadora sobre su costado y limpie los recortes de hierba que se acumularon en la parte inferior del piso de la podadora.

- Limpie la podadora con un paño seco.
- Verifique el apriete de todos los pernos, tuercas, perillas, tornillos, sujetadores, etcétera.
- Inspeccione las piezas móviles para ver si hay daños, rupturas y desgaste. Haga que reparen todas las piezas dañadas o faltantes. Verifique que la cuchilla no esté dañada o desgastada excesivamente en forma irregular y reemplácela si existen estas condiciones.
- Guarde la podadora en el interior, en un lugar limpio y seco, lejos del alcance de los niños.
 - Para almacenar la podadora en posición horizontal, baje el conjunto del mango. Evite doblar o atrapar cables.
 - Para almacenar la podadora en posición vertical, quite la bolsa para césped, luego baje el conjunto del mango. Evite doblar o atrapar cables. Levante la podadora 90° para apoyarla sobre el soporte trasero.

NOTA: Asegúrese de que los pasadores de las perillas de ajuste del mango estén completamente fijos antes de intentar levantar la podadora hasta la posición de pie.

AVISO:

No permita que se enreden el cable del arrancador pellizque al bajar de los mangos.

- No la guarde cerca de materiales corrosivos como fertilizantes o sal gema.

CORRECCIÓN DE PROBLEMAS

SI CON ESTAS SOLUCIONES NO SE RESUELVE EL PROBLEMA, COMUNÍQUESE CON EL CONCESIONARIO DE SERVICIO AUTORIZADO DE SU PREFERENCIA.

PROBLEMA	CAUSA POSIBLE	SOLUCIÓN
El mango no está en posición.	Las perillas de ajuste del mango y/o las trabas del mango no están trabadas.	Asegúrese de que las perillas de ajuste del mango y las trabas del mango estén completamente asentados.
La podadora no enciende.	La batería es baja en la carga. La llave del arranque no está instalada. El conjunto del mango no está en la posición de funcionamiento. El receptor de hierba, el tapón de trituración o el accesorio de descarga lateral no están instalados de forma correcta.	Cargue la batería. Instale la llave del arranque. Eleve el mango inferior y el superior. Verifique si estos componentes están correctamente instalados.
La podadora corta la hierba en forma despareja.	La hierba es dura o la altura de corte no está ajustada correctamente.	Ajuster la altura de corte.
La podadora no tritura el pasto correctamente.	Hay recortes de hierba mojada pegados en la parte inferior del piso.	Espere hasta que la hierba se seque antes de podar.
Es difícil empujar la podadora.	La hierba está alta, la parte posterior del alojamiento de la podadora y la cuchilla se arrastran por hierba frondosa, o la altura de corte es demasiado baja.	Levante la altura de corte.
La podadora no recolecta correctamente.	La altura de corte es muy baja. El césped bloquea el vertedor trasero de la podadora.	Levante la altura de corte. Apague el motor, desconecte la llave del arranque y paquete de baterías. Retire la bolsa del receptor de hierba y elimine la obstrucción.
La podadora vibra a mayor velocidad.	La cuchilla está desequilibrada, gastada excesivamente o en forma irregular. El eje del motor está doblado.	Reemplace la cuchilla. Apague el motor, desconecte la llave del arranque y paquete de baterías. Inspeccione la unidad para ver si están dañadas. Lleve la unidad a un centro de servicio autorizado para que la reparen antes de volver a encenderla.
Motor se detiene mientras corta el césped.	La altura de corte es muy baja.	Levante la altura de corte.



APROVECHE AL MÁXIMO SU COMPRA!

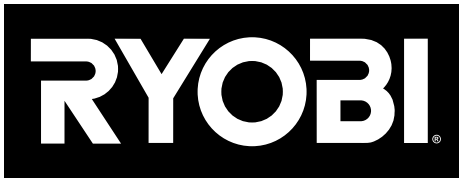
Dirijase a <http://register.ryobitools.com> y registre en línea su nueva herramienta.

Este producto ha sido probado enteramente antes de embarcarse para asegurar la completa satisfacción del consumidor.

¡Si tiene preguntas sobre el funcionamiento o el mantenimiento del producto, llame al teléfono de atención al consumidor de RYOBI!

Este producto tiene una garantía limitada de cinco años para fines personales, familiares o domésticos (90 días para usos trabajo o comercial).

Para obtener detalles sobre la garantía, diríjase a www.ryobitools.com o llame sin cargo al 1-800-860-4050.



OPERATOR'S MANUAL

MANUEL D'UTILISATION / MANUAL DEL OPERADOR 20 in. 40 VOLT LAWN MOWER

20 po TONDEUSE 40 V

20 pulg. PODADORA 40 V

RY401011/R401011VNM

• **PARTS AND SERVICE:** Prior to requesting service or purchasing replacement parts, please obtain your item, manufacturing, and serial numbers from the product data plate.

ITEM NO. _____

MANUFACTURING NO. _____

SERIAL NO. _____

HOW TO OBTAIN REPLACEMENT PARTS: Replacement parts can be purchased online at www.ryobitools.com or by calling 1-800-860-4050. Replacement parts can also be obtained at one of our service centers.

HOW TO LOCATE A SERVICE CENTER: Service centers can be located online at www.ryobitools.com or by calling 1-800-860-4050.

HOW TO OBTAIN CUSTOMER OR TECHNICAL SUPPORT: To obtain customer or technical support please contact us at 1-800-860-4050.

RYOBI is a registered trademark of Ryobi Limited and is used pursuant to a license granted by Ryobi Limited.

• **PIÈCES ET SERVICE :** Avant de faire la demande de service ou l'achat de pièces de remplacement, veuillez obtenir le numéro d'article, le numéro de fabrication et le numéro de série à partir de la plaque de données du produit.

NUMÉRO D'ARTICLE _____

NUMÉRO DE FABRICATION _____

NUMÉRO DE SÉRIE _____

COMMENT OBTENIR LES PIÈCES DE REMPLACEMENT : Les pièces de remplacement peuvent être achetées en ligne sur le site www.ryobitools.com ou par téléphone au 1-800-860-4050. Les pièces de remplacement peuvent être obtenues à un de nos centres de service.

COMMENT TROUVER UN CENTRE DE SERVICE : Les centres de service peuvent être localisés en ligne au www.ryobitools.com ou en téléphonant au 1-800-860-4050.

COMMENT OBTENIR DE L'AIDE EN CONTACTANT LE SERVICE À LA CLIENTÈLE : Pour contacter le service à la clientèle pour une question technique ou pour tout autre renseignement, veuillez nous téléphoner au 1-800-860-4050.

RYOBI est une marque déposée de Ryobi Limited et est utilisée en vertu d'une licence accordée par Ryobi Limited.

• **PIEZAS DE REPUESTO Y SERVICIO:** Antes de solicitar servicio técnico o comprar piezas de repuesto, obtenga su número de artículo, el número de fabricación y el número de serie de la placa de datos del producto.

NÚMERO DE ARTÍCULO _____

NÚMERO DE FABRICACIÓN _____

NÚMERO DE SERIE _____

CÓMO OBTENER PIEZAS DE REPUESTO: Las piezas de repuesto se pueden comprar en nuestro sitio en la red mundial, en la dirección www.ryobitools.com o llamando al 1-800-860-4050. Las piezas de repuesto también se pueden obtener en uno de nuestros centros de servicio.

CÓMO LOCALIZAR UN CENTRO DE SERVICIO: Puede encontrar los centros de servicio visitando nuestro sitio en la red mundial, en la dirección www.ryobitools.com or by calling 1-800-860-4050.

CÓMO OBTENER SERVICIO O ASISTENCIA TÉCNICA AL CONSUMIDOR: Para obtener servicio o asistencia técnica al consumidor, sírvase comunicarse con nosotros llamando al 1-800-860-4050.

RYOBI es una marca registrada de Ryobi Limited y se utiliza conforme a una licencia otorgada por Ryobi Limited.

TECHTRONIC INDUSTRIES POWER EQUIPMENT

995000921
8-19-19 (REV:03)

P.O. Box 1288, Anderson, SC 29622 USA
1-800-860-4050 • www.ryobitools.com