




**REGISTER YOUR TOOLS**  
<http://register.ryobitools.com>  
 1-800-525-2579

**EN MEXICO:  
 PARA MAS INFORMACION  
 WWW.RYOBITOLS.MX**

---

**SERVICIO AL CLIENTE  
 01-800-843-1111**



# OPERATOR'S MANUAL

## MANUEL D'UTILISATION

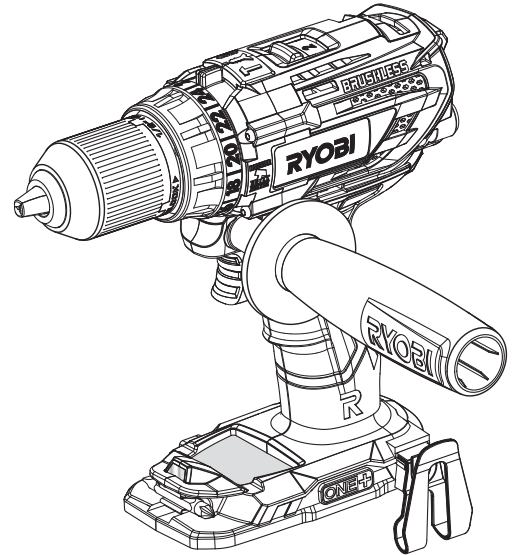
## MANUAL DEL OPERADOR

### 18 VOLT BRUSHLESS HAMMER DRILL

### PERCEUSE À PERCUSSION SANS BALAI DE 18 V

### TALADRO DE PERCUSIÓN SIN ESCOBILLAS DE 18 V

## P251



**INCLUDES:** Hammer Drill, Auxiliary Handle Assembly, Operator's Manual

**INCLUT :** Perceuse à percussion, poignée auxiliaire, manual del utilisation

**INCLUYE:** Taladro de percusión, mango auxiliar, manual del operador

**TABLE OF CONTENTS**

\*\*\*\*\*

- General Power Tool Safety Warnings.....2-3
- Hammer Drill Safety Warnings .....3
- Symbols.....4
- Features.....5
- Assembly.....5
- Operation.....6-8
- Maintenance.....9
- Illustrations .....10-11
- Parts Ordering and Service .....Back page

**TABLE DES MATIÈRES**

\*\*\*\*\*

- Avertissements de sécurité générales relatives aux outils électriques.....2-3
- Avertissements de sécurité relatifs perceuse à percussion.....3
- Symboles.....4
- Caractéristiques .....5
- Assemblage.....5
- Utilisation .....5-8
- Entretien .....9
- Illustrations .....10-11
- Commande de pièces et dépannage ..... Page arrière

**ÍNDICE DE CONTENIDO**

\*\*\*\*\*

- Advertencias de seguridad para herramientas eléctrica .....2-3
- Advertencias de seguridad de taladro de percusión.....3
- Símbolos.....4
- Características .....5
- Armado .....5
- Funcionamiento .....5-8
- Mantenimiento.....9
- Ilustraciones.....10-11
- Pedidos de piezas y servicio..... Pág. posterior

**⚠ WARNING:** To reduce the risk of injury, the user must read and understand the operator's manual before using this product.

**⚠ AVERTISSEMENT :** Pour réduire les risques de blessures, l'utilisateur doit lire et veiller à bien comprendre le manuel d'utilisation avant d'employer ce produit.

**⚠ ADVERTENCIA:** Para reducir el riesgo de lesiones, el usuario debe leer y comprender el manual del operador antes de usar este producto.

**SAVE THIS MANUAL FOR FUTURE REFERENCE**

**CONSERVER CE MANUEL POUR FUTURE RÉFÉRENCE**

**GUARDE ESTE MANUAL PARA FUTURAS CONSULTAS**

# GENERAL POWER TOOL SAFETY WARNINGS

## WARNING

Read all safety warnings and all instructions. Failure to follow the warnings and instructions may result in electric shock, fire and/or serious injury.

Save all warnings and instructions for future reference. The term “power tool” in the warnings refers to your mains-operated (corded) power tool or battery-operated (cordless) power tool.

## WORK AREA SAFETY

- **Keep work area clean and well lit.** Cluttered or dark areas invite accidents.
- **Do not operate power tools in explosive atmospheres, such as in the presence of flammable liquids, gases or dust.** Power tools create sparks which may ignite the dust or fumes.
- **Keep children and bystanders away while operating a power tool.** Distractions can cause you to lose control.

## ELECTRICAL SAFETY

- **Power tool plugs must match the outlet. Never modify the plug in any way. Do not use any adapter plugs with earthed (grounded) power tools.** Unmodified plugs and matching outlets will reduce risk of electric shock.
- **Avoid body contact with earthed or grounded surfaces such as pipes, radiators, ranges and refrigerators.** There is an increased risk of electric shock if your body is earthed or grounded.
- **Do not expose power tools to rain or wet conditions.** Water entering a power tool will increase the risk of electric shock.
- **Do not abuse the cord. Never use the cord for carrying, pulling or unplugging the power tool. Keep cord away from heat, oil, sharp edges or moving parts.** Damaged or entangled cords increase the risk of electric shock.
- **When operating a power tool outdoors, use an extension cord suitable for outdoor use.** Use of a cord suitable for outdoor use reduces the risk of electric shock.
- **If operating a power tool in a damp location is unavoidable, use a ground fault circuit interrupter (GFCI) protected supply.** Use of a GFCI reduces the risk of electric shock.
- **Use battery only with charger listed.** For use with 18V 18V lithium-ion battery packs, see tool/appliance/battery pack/charger correlation supplement 987000-432.

## PERSONAL SAFETY

- **Stay alert, watch what you are doing and use common sense when operating a power tool. Do not use a power tool while you are tired or under the influence of drugs, alcohol or medication.** A moment of inattention while operating power tools may result in serious personal injury.

- **Use personal protective equipment. Always wear eye protection.** Protective equipment such as dust mask, non-skid safety shoes, hard hat, or hearing protection used for appropriate conditions will reduce personal injuries.
- **Prevent unintentional starting. Ensure the switch is in the off-position before connecting to power source and/or battery pack, picking up or carrying the tool.** Carrying power tools with your finger on the switch or energising power tools that have the switch on invites accidents.
- **Remove any adjusting key or wrench before turning the power tool on.** A wrench or a key left attached to a rotating part of the power tool may result in personal injury.
- **Do not overreach. Keep proper footing and balance at all times.** This enables better control of the power tool in unexpected situations.
- **Dress properly. Do not wear loose clothing or jewelry. Keep your hair, clothing and gloves away from moving parts.** Loose clothes, jewellery or long hair can be caught in moving parts.
- **If devices are provided for the connection of dust extraction and collection facilities, ensure these are connected and properly used.** Use of dust collection can reduce dust-related hazards.
- **Do not wear loose clothing or jewelry. Contain long hair.** Loose clothes, jewelry, or long hair can be drawn into air vents.
- **Do not use on a ladder or unstable support.** Stable footing on a solid surface enables better control of the power tool in unexpected situations.

## POWER TOOL USE AND CARE

- **Do not force the power tool. Use the correct power tool for your application.** The correct power tool will do the job better and safer at the rate for which it was designed.
- **Do not use the power tool if the switch does not turn it on and off.** Any power tool that cannot be controlled with the switch is dangerous and must be repaired.
- **Disconnect the plug from the power source and/or the battery pack from the power tool before making any adjustments, changing accessories, or storing power tools.** Such preventive safety measures reduce the risk of starting the power tool accidentally.
- **Store idle power tools out of the reach of children and do not allow persons unfamiliar with the power tool or these instructions to operate the power tool.** Power tools are dangerous in the hands of untrained users.
- **Maintain power tools. Check for misalignment or binding of moving parts, breakage of parts and any other condition that may affect the power tool’s operation. If damaged, have the power tool repaired before use.**

# GENERAL POWER TOOL SAFETY WARNINGS

Many accidents are caused by poorly maintained power tools.

- **Keep cutting tools sharp and clean.** Properly maintained cutting tools with sharp cutting edges are less likely to bind and are easier to control.
- **Use the power tool, accessories and tool bits etc. in accordance with these instructions, taking into account the working conditions and the work to be performed.** Use of the power tool for operations different from those intended could result in a hazardous situation.

## BATTERY TOOL USE AND CARE

- **Recharge only with the charger specified by the manufacturer.** A charger that is suitable for one type of battery pack may create a risk of fire when used with another battery pack.
- **Use power tools only with specifically designated battery packs.** Use of any other battery packs may create a risk of injury and fire.

- **When battery pack is not in use, keep it away from other metal objects, like paper clips, coins, keys, nails, screws, or other small metal objects, that can make a connection from one terminal to another.** Shorting the battery terminals together may cause burns or a fire.
- **Under abusive conditions, liquid may be ejected from the battery; avoid contact. If contact accidentally occurs, flush with water. If liquid contacts eyes, additionally seek medical help.** Liquid ejected from the battery may cause irritation or burns.

## SERVICE

- **Have your power tool serviced by a qualified repair person using only identical replacement parts.** This will ensure that the safety of the power tool is maintained.
- **When servicing a power tool, use only identical replacement parts. Follow instructions in the Maintenance section of this manual.** Use of unauthorized parts or failure to follow Maintenance instructions may create a risk of shock or injury.




# HAMMER DRILL SAFETY WARNINGS

- **Wear ear protectors with impact drilling.** Exposure to noise can cause hearing loss.
- **Use auxiliary handle(s), if supplied with the tool.** Loss of control can cause personal injury.
- **Hold power tool by insulated gripping surfaces, when performing an operation where the cutting accessory may contact hidden wiring.** Cutting accessory contacting a “live” wire may make exposed metal parts of the power tool “live” and could give the operator an electric shock.
- **Know your power tool. Read operator’s manual carefully. Learn its applications and limitations, as well as the specific potential hazards related to this power tool.** Following this rule will reduce the risk of electric shock, fire, or serious injury.
- **Always wear eye protection with side shields marked to comply with ANSI Z87.1 when assembling parts, operating the tool, or performing maintenance.** Following this rule will reduce the risk of serious personal injury.
- **Protect your lungs. Wear a face or dust mask if the operation is dusty.** Following this rule will reduce the risk of serious personal injury.
- **Protect your hearing. Wear hearing protectors during extended periods of operation.** Following this rule will reduce the risk of serious personal injury.
- **Battery tools do not have to be plugged into an electrical outlet; therefore, they are always in operating condition. Be aware of possible hazards when not using your battery tool or when changing accessories.** Following this rule will reduce the risk of electric shock, fire, or serious personal injury.






- **Do not place battery tools or their batteries near fire or heat.** This will reduce the risk of explosion and possibly injury.
- **Do not crush, drop or damage battery pack. Do not use a battery pack or charger that has been dropped or received a sharp blow.** A damaged battery is subject to explosion. Properly dispose of a dropped or damaged battery immediately.
- **Batteries can explode in the presence of a source of ignition, such as a pilot light.** To reduce the risk of serious personal injury, never use any cordless product in the presence of open flame. An exploded battery can propel debris and chemicals. If exposed, flush with water immediately.
- **Do not charge battery tool in a damp or wet location.** Following this rule will reduce the risk of electric shock.
- **For best results, your battery tool should be charged in a location where the temperature is more than 50°F but less than 100°F.** To reduce the risk of serious personal injury, do not store outside or in vehicles.
- **Under extreme usage or temperature conditions, battery leakage may occur. If liquid comes in contact with your skin, wash immediately with soap and water. If liquid gets into your eyes, flush them with clean water for at least 10 minutes, then seek immediate medical attention.** Following this rule will reduce the risk of serious personal injury.
- **Save these instructions.** Refer to them frequently and use them to instruct others who may use this tool. If you loan someone this tool, loan them these instructions also.

# SYMBOLS

The following signal words and meanings are intended to explain the levels of risk associated with this product.

SYMBOL	SIGNAL	MEANING
	<b>DANGER:</b>	Indicates a hazardous situation, which, if not avoided, will result in death or serious injury.
	<b>WARNING:</b>	Indicates a hazardous situation, which, if not avoided, could result in death or serious injury.
	<b>CAUTION:</b>	Indicates a hazardous situation, that, if not avoided, may result in minor or moderate injury.
	<b>NOTICE:</b>	(Without Safety Alert Symbol) Indicates information considered important, but not related to a potential injury (e.g. messages relating to property damage).

Some of the following symbols may be used on this product. Please study them and learn their meaning. Proper interpretation of these symbols will allow you to operate the product better and safer.

SYMBOL	NAME	DESIGNATION/EXPLANATION
	Safety Alert	Indicates a potential personal injury hazard.
	Read Operator's Manual	To reduce the risk of injury, user must read and understand operator's manual before using this product.
	Eye Protection	Always wear eye protection with side shields marked to comply with ANSI Z87.1.
	Wet Conditions Alert	Do not expose to rain or use in damp locations.
	Recycle Symbol	This product uses lithium-ion (Li-ion) batteries. Local, state or federal laws may prohibit disposal of batteries in ordinary trash. Consult your local waste authority for information regarding available recycling and/or disposal options.
V	Volts	Voltage
min	Minutes	Time
—	Direct Current	Type or a characteristic of current
$n_0$	No Load Speed	Rotational speed, at no load
.../min	Per Minute	Revolutions, strokes, surface speed, orbits etc., per minute



# FEATURES

## PRODUCT SPECIFICATIONS

No Load Speed .....	0-410/0-1,800 r/min. (RPM)	Torque .....	750 in.lb.
Clutch.....	24 position	Hammer Speed (Blows per minute).....	0-5,400/0-23,000 BPM

# ASSEMBLY

## UNPACKING

This product requires assembly.

- Carefully remove the tool and any accessories from the box. All items listed in the **Includes** section must be included at the time of purchase.

### **WARNING:**

Items in this *Assembly* section are not assembled to the product by the manufacturer and require customer installation. Use of a product that may have been improperly assembled could result in serious personal injury.

- If any parts are damaged or missing, please call 1-800-525-2579 for assistance. In Mexico, please call 01-800-843-1111.

### **WARNING:**

If any parts are damaged or missing do not operate this product until the parts are replaced. Use of this product with damaged or missing parts could result in serious personal injury.

### **WARNING:**

Do not attempt to modify this product or create accessories or attachments not recommended for use with this product. Any such alteration or modification is misuse and could result in a hazardous condition leading to possible serious personal injury.

## INSTALLING/ADJUSTING THE AUXILIARY HANDLE ASSEMBLY

See Figure 1, page 10.

An auxiliary handle is packed with the drill for ease of operation and to help prevent loss of control. The handle can be mounted for left or right hand use.

- Insert the handle screw into the hole located above the switch trigger and seat the hex head into the hole.
- Slide the handle collar onto the screw. Seat the hex end of the collar into the hex hole.
- Thread the auxiliary handle onto the screw and tighten securely.

# OPERATION

## **WARNING:**

Do not allow familiarity with this product to make you careless. Remember that a careless fraction of a second is sufficient to inflict serious injury.

## **WARNING:**

Always remove battery pack from the tool when you are assembling parts, making adjustments, cleaning, or when not in use. Removing battery pack will prevent accidental starting that could cause serious personal injury.

## **WARNING:**

Always wear eye protection with side shields marked to comply with ANSI Z87.1, along with hearing protection. Failure to do so could result in objects being thrown into your eyes and other possible serious injuries.

## **WARNING:**

Do not use any attachments or accessories not recommended by the manufacturer of this product. The use of attachments or accessories not recommended can result in serious personal injury.

## APPLICATIONS

You may use this product for the purposes listed below:

- Hammer drilling in concrete, brick, or other masonry
- Drilling in all types of wood products (lumber, plywood, paneling, composition board, and hard board), ceramics, plastics, fiberglass, laminates, and metals; driving screws into wood and drywall with screwdriver bits

## VARIABLE SPEED SWITCH TRIGGER

See Figure 2, page 10.

The variable speed switch trigger delivers higher speed with increased trigger pressure and lower speed with decreased trigger pressure.

To turn the tool **ON**, depress the switch trigger. To turn it **OFF**, release the switch trigger and allow the chuck to come to a complete stop.

**NOTE:** A whistling or ringing noise coming from the switch during use is a normal part of the switch function.

**NOTE:** Running at low speeds under constant usage may cause the drill to become overheated. If this occurs, cool the drill by running it without a load and at full speed.

## DIRECTION OF ROTATION SELECTOR (FORWARD/REVERSE/CENTER LOCK)

See Figure 2, page 10.

Set the direction of rotation selector in the **OFF** (center lock) position to lock the switch trigger and help prevent accidental starting when not in use.

Position the direction of rotation selector to the left of the switch trigger for forward drilling. Position the selector to the right of the switch trigger to reverse the direction.

**NOTE:** The drill will not run unless the direction of rotation selector is pushed fully to the left or right.

## **NOTICE:**

To prevent gear damage, always allow the chuck to come to a complete stop before changing the direction of rotation.

## **WARNING:**

Battery tools are always in operating condition. Lock the switch when not in use or carrying at your side, when installing or removing the battery pack, and when installing or removing bits.

## INSTALLING/REMOVING BATTERY PACK

See Figure 3, page 10.

- Lock the switch trigger.
- Insert the battery pack into the product as shown.
- Make sure the latches on each side of the battery pack snap in place and that battery pack is secured in the product before beginning operation.
- Depress the latches to remove the battery pack.

For complete charging instructions, see the operator's manuals for your battery pack and charger.

## INSTALLING/REMOVING BITS

See Figures 4 - 5, page 10.

The arrows on the keyless chuck indicate which direction to rotate the chuck sleeve to tighten or release the drill bit.

Do not use a wrench to tighten or loosen the chuck jaws.

- **To install bits**, lock the switch trigger.
- Open or close the chuck jaws until the opening is slightly larger than the bit size you intend to use.
- Raise the front of the drill slightly and insert the drill bit.

## **WARNING:**

Make sure to insert the drill bit straight into the chuck jaws. Do not insert the drill bit into the chuck jaws at an angle, then tighten. This could cause the drill bit to be thrown from the drill, resulting in possible serious personal injury or damage to the chuck.

# OPERATION

## **WARNING:**

Do not hold the chuck sleeve with one hand and use the power of the drill to tighten the chuck jaws on the drill bit. The chuck body could slip in your hand, or your hand could slip and come in contact with the rotating drill bit. This could cause an accident resulting in serious personal injury.

- **To remove bits**, lock the switch trigger and open the chuck jaws.
- The bit provided with the drill can be placed in the storage area, located on the base of the drill.

## **INSTALLING/REMOVING BELT CLIP**

See Figure 6, page 11.

The belt clip may be installed on either side of the housing.

- Align the hole in the belt clip with the hole in the housing.
- Install the screw to secure the belt clip in place.
- To uninstall, remove the screw then remove the belt clip.

## **TWO-SPEED GEAR TRAIN (HI-LO SWITCH)**

See Figure 7, page 11.

- Select low speed **(1)** for applications requiring higher power and torque, such as driving screws and drilling in metal.
- Select high speed **(2)** for fast drilling or driving applications, for drilling in wood or masonry, and for hammer drilling.

## **NOTICE:**

Never change speeds while the tool is running. Failure to obey this caution could result in serious damage to the drill.

**NOTE:** If you have difficulty changing from one gear range to the other, turn the chuck by hand until the gears engage.

## **QUICK MODE SELECTOR**

See Figure 8, page 11.

The Quick Mode Selector allows you to quickly switch from drill mode to drive mode.

Drill mode should be used for drilling and other heavy duty applications. Drive mode should be used for driving screws. Hammer mode should be used for hammer drilling.

Using the chart, select the option that best matches the type of bit, fastener, and material you will be using.

- Choose your **APPLICATION**.
- Choose the correct **SPEED: (1/LOW or 2/HIGH)**
- Choose the correct **MODE: (DRIVE, DRILL, or HAMMER)**

## **ADJUSTING TORQUE**




See Figure 9, page 11.

When using the drill-driver for various driving applications, increasing or decreasing the torque helps prevent the possibility of damaging screw heads, threads, workpiece, etc. In general, torque intensity should correspond to the screw diameter. If the torque is too high or the screws too small, the screws may be damaged or broken.

The torque is adjusted by rotating the torque adjustment ring.

The torque is greater when the torque adjustment ring is set on a higher setting. The torque is less when the torque adjustment ring is set on a lower setting.

The proper setting depends on the type of material and the size of screw you are using.

APPLICATION	SPEED	MODE
<ul style="list-style-type: none"> <li>• Lag screws up to 3/8 in. dia. by 1-1/2 in. long</li> <li>• Hole saw up to 2 in.</li> <li>• Spade bits up to 1-1/2 in.</li> <li>• Drill bits up to 1/2 in.</li> <li>• Drilling into metal</li> <li>• Concrete screws</li> </ul>	1/LOW	<b>DRILL MODE</b> (TORQUE ADJUSTMENT NOT ACTIVE) 
	2/HIGH	
<ul style="list-style-type: none"> <li>• Deck or wood screws up to 3 in.</li> <li>• Self tapping screws</li> </ul>	1/LOW	<b>DRIVE MODE</b> 
	2/HIGH	
<ul style="list-style-type: none"> <li>• Deck or wood screws up to 2 in.</li> <li>• Small screws or delicate work that requires more control</li> </ul>	2/HIGH	<b>HAMMER MODE</b> (TORQUE ADJUSTMENT NOT ACTIVE) 
<ul style="list-style-type: none"> <li>• Drilling into masonry and concrete.</li> </ul>	2/HIGH	

# OPERATION

## DRILLING/DRIVING SCREWS

See Figure 10, page 11.

### WARNING:

Always use the auxiliary handle when using this tool to help resist torque reactions. Binding or stalling of this product could lead to serious personal injury.

- Install the auxiliary handle.
- Check the direction of rotation selector for the correct setting (forward or reverse).
- Select low speed **(1)** or high speed **(2)**, depending on your application. Refer to **Two-Speed Gear Train and Adjusting Torque**.
- Secure the workpiece in a vise or with clamps to keep it from turning as the bit rotates.
- Hold the drill firmly and place the bit at the point to be drilled, or where the screw is to be driven.

### WARNING:

Do not drive a screw where there is likely to be hidden wiring behind the surface. Contact with a “live” wire will make exposed metal parts of the tool “live” and possibly shock the operator. If you must drive a screw where hidden wire may be present, always hold tool by insulated gripping surfaces (handle) when performing the operation to prevent a shock to the operator.

- Depress the switch trigger to start the drill.
- Move the bit into the workpiece, applying only enough pressure to keep the bit cutting or driving the screw. Do not force the drill or apply side pressure to elongate a hole. Let the tool do the work.

### WARNING:

When drilling, be prepared for binding at bit breakthrough. When these situations occur, drill has a tendency to grab and kick opposite to the direction of rotation and could cause loss of control when breaking through material. If not prepared, this loss of control can result in possible serious injury.

- When drilling hard, smooth surfaces, use a center punch to mark the desired hole location. This will prevent the bit from slipping off-center as the hole is started.

- If the bit jams in the workpiece or if the drill stalls, stop the tool immediately. Remove the bit from the workpiece and determine the reason for jamming.

**NOTE:** This drill has an electric brake. When the switch trigger is released, the chuck stops turning. When the brake is functioning properly, sparks will be visible through the vent slots on the housing. This is normal and is the action of the brake.

## WOOD AND METAL DRILLING

For maximum performance, use high speed steel bits for wood or metal drilling. Select drilling mode. Begin drilling at a very low speed to prevent the bit from slipping off the starting point.

### Wood Drilling

- Increase the speed as the drill bit bites into the material.
- When drilling through holes, place a block of wood behind the workpiece to prevent ragged or splintered edges on the back side of the hole.

### Metal and Steel Drilling

- Use a light oil on the drill bit to keep it from overheating. The oil will prolong the life of the bit and increase the drilling action.
- Maintain a speed and pressure which allows cutting without overheating the bit. Applying too much pressure will:
  - Overheat the drill;
  - Wear the bearings;
  - Bend or burn bits; and
  - Produce off-center or irregular-shaped holes.
- When drilling large holes in metal, start with a small bit, then finish with a larger bit.

## MASONRY DRILLING

For maximum performance, use carbide-tipped masonry impact bits or designated hammer drill bits when drilling holes in brick, tile, concrete, etc. Select hammer mode.

- Apply light pressure at medium speed for best results in brick.
- Apply additional pressure for hard materials such as concrete.
- When drilling holes in tile, practice on a scrap piece to determine the best speed and pressure. Begin drilling at a very low speed to prevent the bit from slipping off the starting point.

# MAINTENANCE

 **WARNING:**

When servicing, use only identical replacement parts. Use of any other parts could create a hazard or cause product damage.

## GENERAL MAINTENANCE

Avoid using solvents when cleaning plastic parts. Most plastics are susceptible to damage from various types of commercial solvents and may be damaged by their use. Use clean cloths to remove dirt, dust, oil, grease, etc.

**NOTE: ILLUSTRATIONS START ON PAGE 10 AFTER FRENCH AND SPANISH LANGUAGE SECTIONS.**



# AVERTISSEMENTS DE SÉCURITÉ GÉNÉRALES RELATIVES AUX OUTILS ÉLECTRIQUES

## AVERTISSEMENT

Lire tous les avertissements et toutes les instructions. Ne pas suivre l'ensemble des avertissements et des instructions peut entraîner une électrocution, un incendie ou des blessures graves.

Conserver les avertissements et les instructions à des fins de référence ultérieure. Le terme « outil motorisé », utilisé dans tous les avertissements ci-dessous désigne tout outil fonctionnant sur secteur (câblé) ou sur piles (sans fil).

## SÉCURITÉ DU LIEU DE TRAVAIL

- **Garder le lieu de travail propre et bien éclairé.** Les endroits encombrés ou sombres sont propices aux accidents.
- **Ne pas utiliser d'outils électriques dans des atmosphères explosives, par exemple en présence de liquides, gaz ou poussières inflammables.** Les outils électriques produisent des étincelles risquant d'enflammer les poussières ou vapeurs.
- **Garder les enfants et badauds à l'écart pendant l'utilisation d'un outil électrique.** Les distractions peuvent causer une perte de contrôle.

## SÉCURITÉ ÉLECTRIQUE

- **Les fiches des outils électriques doivent correspondre à la prise secteur utilisée. Ne jamais modifier la fiche, de quelque façon que ce soit. Ne jamais utiliser d'adaptateurs de fiche avec des outils mis à la terre.** Les fiches et prises non modifiées réduisent le risque de choc électrique.
- **Éviter tout contact du corps avec des surfaces mises à la terre, telles que tuyaux, radiateurs, cuisinières et réfrigérateurs.** Le risque de choc électrique est accru lorsque le corps est mis à la terre.
- **Ne pas exposer les outils électriques à l'eau ou l'humidité.** La pénétration d'eau dans ces outils accroît le risque de choc électrique.
- **Ne pas maltraiter le cordon d'alimentation. Ne jamais utiliser le cordon d'alimentation pour transporter l'outil et ne jamais débrancher ce dernier en tirant sur le cordon. Garder le cordon à l'écart de la chaleur, de l'huile, des objets tranchants et des pièces en mouvement.** Un cordon endommagé ou emmêlé accroît le risque de choc électrique.
- **Pour les travaux à l'extérieur, utiliser un cordon spécialement conçu à cet effet.** Utiliser un cordon conçu pour l'usage extérieur pour réduire les risques de choc électrique.
- **S'il est nécessaire d'utiliser l'outil électrique dans un endroit humide, employer un dispositif interrupteur de défaut à la terre (GFCI).** L'utilisation d'un GFCI réduit le risque de décharge électrique.
- **Ne recharger les piles qu'avec l'appareil indiqué.** Pour utiliser l'appareil avec des piles au lithium-ion de 18 V, consulter le supplément de raccordement pour chargeur/outils/piles/appareil n° 987000-432.

## SÉCURITÉ PERSONNELLE

- **Rester attentif, prêter attention au travail et faire preuve de bon sens lors de l'utilisation de tout outil électrique. Ne pas utiliser cet outil en état de fatigue ou sous l'influence de l'alcool, de drogues ou de médicaments.** Un moment

d'inattention pendant l'utilisation d'un outil électrique peut entraîner des blessures graves.

- **Utiliser l'équipement de sécurité. Toujours porter une protection oculaire.** L'équipement de sécurité, tel qu'un masque filtrant, de chaussures de sécurité, d'un casque ou d'une protection auditive, utilisé dans des conditions appropriées réduira le risque de blessures.
- **Éviter les démarrages accidentels. S'assurer que le commutateur est en position d'arrêt avant de brancher l'outil.** Porter un outil avec le doigt sur son commutateur ou brancher un outil dont le commutateur est en position de marche peut causer un accident.
- **Retirer les clés de réglage avant de mettre l'outil en marche.** Une clé laissée sur une pièce rotative de l'outil peut causer des blessures.
- **Ne pas travailler hors de portée. Toujours se tenir bien campé et en équilibre.** Ceci permettra de mieux contrôler l'outil en cas de situation imprévue.
- **Porter une tenue appropriée. Ne porter ni vêtements amples, ni bijoux. Garder les cheveux, les vêtements et les gants à l'écart des pièces en mouvement.** Les vêtements amples, bijoux et cheveux longs peuvent se prendre dans les pièces en mouvement.
- **Si les outils sont équipés de dispositifs de dépoussiérage, s'assurer qu'ils sont connectés et correctement utilisés.** L'usage de ces dispositifs de dépoussiérage peut réduire les dangers présentés par la poussière.
- **Ne porter ni vêtements amples, ni bijoux. Attacher ou couvrir les cheveux longs.** Les vêtements amples, bijoux et cheveux longs peuvent se prendre dans les ouïes d'aération.
- **Ne pas utiliser l'outil sur une échelle ou un support instable.** Une bonne tenue et un bon équilibre permettent de mieux contrôler l'outil en cas de situation imprévue.

## UTILISATION ET ENTRETIEN DES OUTILS ÉLECTRIQUES

- **Ne pas forcer l'outil. Utiliser l'outil approprié pour l'application.** Un outil approprié exécutera le travail mieux et de façon moins dangereuse s'il est utilisé dans les limites prévues.
- **Ne pas utiliser l'outil si le commutateur ne permet pas de le mettre en marche ou de l'arrêter.** Tout outil qui ne peut pas être contrôlé par son commutateur est dangereux et doit être réparé.
- **Débrancher l'outil et/ou retirer le bloc-piles avant d'effectuer des réglages, de changer d'accessoire ou de remiser l'outil.** Ces mesures de sécurité préventives réduisent les risques de démarrage accidentel de l'outil.
- **Ranger les outils motorisés hors de la portée des enfants et ne laisser personne n'étant pas familiarisé avec l'outil ou ces instructions utiliser l'outil.** Dans les mains de personnes n'ayant pas reçu des instructions adéquates, les outils sont dangereux.
- **Entretien des outils motorisés. Vérifier qu'aucune pièce mobile n'est mal alignée ou bloquée, qu'aucune pièce n'est brisée et s'assurer qu'aucun autre problème ne risque d'affecter le bon fonctionnement de l'outil. En cas de dommages faire réparer l'outil avant de l'utiliser de nouveau.** Beaucoup d'accidents sont causés par des outils mal entretenus.

# AVERTISSEMENTS DE SÉCURITÉ GÉNÉRALES RELATIVES AUX OUTILS ÉLECTRIQUES

- **Garder les outils bien affûtés et propres.** Des outils correctement entretenus et dont les tranchants sont bien affûtés risquent moins de se bloquer et sont plus faciles à contrôler.
- **Utiliser l'outil, les accessoires et embouts, etc. conformément à ces instructions pour les applications pour lesquelles ils sont conçus, en tenant compte des conditions et du type de travail à exécuter.** L'usage d'un outil motorisé pour des applications pour lesquelles il n'est pas conçu peut être dangereux.

## UTILISATION ET ENTRETIEN DE LA PILE

- **Ne recharger qu'avec l'appareil spécifié par le fabricant.** Un chargeur approprié pour un type de pile peut créer un risque d'incendie s'il est utilisé avec un autre type de pile.
- **Utiliser exclusivement le bloc-pile spécifiquement indiqué pour l'outil.** L'usage de tout autre bloc peut créer un risque de blessures et d'incendie.
- **Lorsque le bloc-piles n'est pas en usage, le garder à l'écart d'articles tels qu'attaches trombones, pièces de monnaie, clous, vis ou autres petits objets métalliques**

risquant d'établir le contact entre les deux bornes. La mise en court-circuit des bornes de piles peut causer des étincelles, des brûlures ou un incendie.

- **En cas d'usage abusif, du liquide peut s'échapper des piles. Éviter tout contact avec ce liquide. En cas de contact accidentel, rincer immédiatement les parties atteintes avec de l'eau. En cas d'éclaboussure dans les yeux consulter un médecin.** Le liquide s'échappant des piles peut causer des irritations ou des brûlures.

## DÉPANNAGE




- **Les réparations doivent être confiées à un technicien qualifié, utilisant exclusivement des pièces identiques à celles d'origine.** Ceci assurera le maintien de la sécurité de l'outil.
- **Utiliser exclusivement des pièces identiques à celles d'origine pour les réparations. Se conformer aux instructions de la section Entretien de ce manuel.** L'usage de pièces non autorisées ou le non-respect des instructions peut présenter des risques de choc électrique ou de blessures.

# AVERTISSEMENTS DE SÉCURITÉ RELATIFS AU PERCEUSE À PERCUSSION






- **Porter des protecteurs d'oreilles avec les perceuses à percussion.** L'exposition au bruit peut entraîner une perte auditive.
- **Utiliser les poignées auxiliaires, si elles sont fournies avec l'outil.** La perte de contrôle peut causer des blessures.
- **Lorsque l'outil est utilisé pour un travail risquant de le mettre en contact avec des fils électriques cachés, le tenir par les surfaces de prise isolées.** Le contact d'un accessoire de coupe avec un fil sous tension « électrifié » les pièces métalliques exposées de l'outil et peut électrocuter l'utilisateur.
- **Apprendre à connaître l'outil. Lire attentivement le manuel d'utilisation. Apprendre les applications et les limites de l'outil, ainsi que les risques spécifiques relatifs à son utilisation.** Le respect de cette consigne réduira les risques d'incendie, de choc électrique et de blessures graves.
- **Toujours porter une protection oculaire munie d'écrans latéraux certifiée conforme à la norme ANSI Z87.1 lors du montage des pièces, du fonctionnement de l'outil ou au moment de l'entretien.** Le respect de cette règle réduira les risques de blessures graves.
- **Protection respiratoire. Porter un masque facial ou un masque antipoussière si le travail produit de la poussière.** Le respect de cette consigne réduira les risques de blessures graves.
- **Protection auditive. Porter une protection auditive lors de l'utilisation prolongée.** Le respect de cette règle réduira les risques de blessures graves.
- **Les outils fonctionnant sur piles n'ayant pas besoin d'être branchés sur une prise secteur, ils sont toujours en état de fonctionnement. Tenir compte des dangers possibles lorsque l'outil n'est pas en usage et lors du remplacement des piles.** Le respect de cette consigne réduira les risques d'incendie, de choc électrique et de blessures graves.
- **Ne pas placer les outils électriques sans fil ou leurs piles à proximité de flammes ou d'une source de chaleur.** Ceci réduira les risques d'explosion et de blessures.
- **Ne pas écraser, faire tomber ou endommager le bloc-piles. Ne jamais utiliser un bloc-piles ou un chargeur qui est tombé, a été écrasé, a reçu un choc violent ou a été endommagé de quelque façon que ce soit.** Une pile endommagée risque d'exploser. Éliminer immédiatement toute pile endommagée, selon une méthode appropriée.
- **Les piles peuvent exploser en présence d'une source d'allumage, telle qu'une veilleuse.** Pour réduire les risques de blessures graves, ne jamais utiliser un appareil sans fil, quel qu'il soit, en présence d'une flamme vive. En explosant, une pile peut projeter des débris et des produits chimiques. En cas d'exposition, rincer immédiatement les parties atteintes avec de l'eau.
- **Ne pas recharger un outil fonctionnant sur piles dans un endroit humide ou mouillé.** Le respect de cette règle réduira les risques de choc électrique.
- **Pour un résultat optimal, le piles de l'outil doivent être rechargées dans un local où la température est de 10 à 38 °C (50 à 100 °F).** Ne pas ranger l'outil à l'extérieur ou dans un véhicule.
- **Si l'outil est utilisé de façon intensive ou sous des températures extrêmes, des fuites de pile peuvent se produire. En cas de contact du liquide avec la peau, rincer immédiatement la partie atteinte avec de l'eau. En cas d'éclaboussure dans les yeux, les rincer à l'eau fraîche pendant au moins 10 minutes, puis contacter immédiatement un médecin.** Le respect de cette règle réduira les risques de blessures graves.
- **Conservé ces instructions.** Les consulter fréquemment et les utiliser pour instruire les autres utilisateurs éventuels. Si cet outil est prêté, il doit être accompagné de ces instructions.

# SYMBOLES

Les termes de mise en garde suivants et leur signification ont pour but d'expliquer le degré de risques associé à l'utilisation de ce produit.

SYMBOLE	SIGNAL	SIGNIFICATION
	<b>DANGER :</b>	Indique une situation dangereuse qui, si elle n'est pas évitée, aura pour conséquences des blessures graves ou mortelles.
	<b>AVERTISSEMENT :</b>	Indique une situation dangereuse qui, si elle n'est pas évitée, pourrait entraîner des blessures graves ou mortelles.
	<b>ATTENTION :</b>	Indique une situation dangereuse qui, si elle n'est pas évitée, pourrait entraîner des blessures légères ou de gravité modérée.
	<b>AVIS :</b>	(Sans symbole d'alerte de sécurité) Indique les informations jugées importantes sans toutefois représenter un risque de blessure (ex. : messages concernant les dommages matériels).

Certains des symboles ci-dessous peuvent être utilisés sur produit. Veiller à les étudier et à apprendre leur signification. Une interprétation correcte de ces symboles permettra d'utiliser produit plus efficacement et de réduire les risques.

SYMBOLE	NOM	DÉSIGNATION / EXPLICATION
	Symbole d'alerte de sécurité	Indique un risque de blessure potentiel.
	Lire manuel d'utilisation	Pour réduire les risques de blessures, l'utilisateur doit lire et veiller à bien comprendre le manuel d'utilisation avant d'utiliser ce produit.
	Protection oculaire	Toujours porter une protection oculaire avec écrans latéraux certifiée conforme à la norme ANSI Z87.1.
	Avertissement concernant l'humidité	Ne pas exposer à la pluie ou l'humidité.
	Symbole de recyclage	Ce produit utilise les piles de lithium-ion (Li-ion). Les réglementations locales ou gouvernementales peuvent interdire de jeter les piles dans les ordures ménagères. Consulter les autorités locales compétentes pour les options de recyclage et/ou l'élimination.
V	Volts	Tension
min	Minutes	Temps
≡	Courant continu	Type ou caractéristique du courant
$n_0$	Vitesse à vide	Vitesse de rotation à vide
.../min	Par minute	Tours, coups, vitesse périphérique, orbites, etc., par minute

# CARACTÉRISTIQUES

## FICHE TECHNIQUE

Vitesse à vide .....0 - 410 / 0 - 1 800 r/min (RPM)  
Embrayage.....24 positions

Couple .....84,7 Nm (750 po-lb)  
Vitesse de percussion  
(Coups par minute) .....0 à 5 400/0 à 23 000 cpm

## ASSEMBLAGE

### DÉBALLAGE

Ce produit nécessite un assemblage.

- Avec précaution, sortir l'outil et les accessoires de la boîte. Tous les articles énumérés sous « **Inclut** » doivent se trouver dans l'emballage au moment de l'achat.

#### **AVERTISSEMENT :**

Certaines pièces figurant dans cette section *Assemblage* n'ont pas été installées sur le produit par le fabricant et exigent une installation du client. Le fait d'utiliser un produit qui a été assemblé de façon inadéquate peut entraîner des blessures.

Si des pièces manquent ou sont endommagées, veuillez appeler au 1-800-525-2579 pour obtenir de l'aide. Au Mexique, veuillez composer le numéro 01-800-843-1111.

#### **AVERTISSEMENT :**

Si des pièces manquent ou sont endommagées, ne pas utiliser cet outil avant qu'elles aient été remplacées. Le non-respect de cet avertissement pourrait entraîner des blessures graves.

#### **AVERTISSEMENT :**

Ne pas essayer de modifier cet outil ou de créer des accessoires ou de pièces non recommandés pour l'outil. De telles altérations ou modifications sont considérées comme un usage abusif et peuvent créer des conditions dangereuses, risquant d'entraîner des blessures graves.

### INSTALLATION/RÉGLAGE ENSEMBLE DE POIGNÉE AUXILIAIRE

*Voir la figure 1, page 10.*

Une poignée auxiliaire est ajoutée à la perceuse pour faciliter l'utilisation et éviter toute perte de contrôle. La poignée peut être installée de l'un ou l'autre des côtés de la perceuse pour être utilisée de la main gauche ou de la main droite.

- Insérer la vis de la poignée dans le trou situé au-dessus de la gâchette et asseoir la tête hexagonale dans le trou.
- Glisser le collier de la poignée sur la vis, et asseoir l'extrémité hexagonale du collier dans le trou hexagonal.
- Visser la poignée auxiliaire sur la vis et la serrer solidement.

## UTILISATION

#### **AVERTISSEMENT :**

Ne pas laisser la familiarité avec l'outil faire oublier la prudence. Ne pas oublier qu'une fraction de seconde d'inattention peut entraîner des blessures graves.

#### **AVERTISSEMENT :**

Toujours retirer la bloc-pile de l'outil au moment d'assembler des pièces, d'effectuer des réglages et de procéder au nettoyage, ou lorsque l'outil n'est pas utilisé. Si cette précaution n'est pas prise, des objets peuvent être projetés dans les yeux et causer des lésions graves.

#### **AVERTISSEMENT :**

Toujours porter une protection oculaire avec écrans latéraux certifiée conforme à la norme ANSI Z87.1. Si une opération dégage de la poussière, porter également un masque anti-poussière.

#### **AVERTISSEMENT :**

Ne pas utiliser d'outils ou accessoires non recommandés par le fabricant pour cet outil. L'utilisation de pièces et accessoires non recommandés peut entraîner des blessures graves.

# UTILISATION

## APPLICATIONS

Cet outil ne doit être utilisé que pour les applications listées ci-dessous.

- Perçage en mode de percussion dans le béton, la brique et autres pièces de maçonnerie
- Perçage et du vissage de vis de produits du bois (bois d'oeuvre, contreplaqué, lambris, aggloméré et bois dur), céramique, plastique, fibre de verre, matériaux laminés, métaux mous et durs; Visser différents types de vis dans le bois et les cloisons sèches à l'aide d'embouts de tournevis

## GÂCHETTE À VARIATION DE VITESSE

Voir la figure 2, page 10.

La gâchette avec variation de vitesse procurera des vitesses plus élevées si une pression accrue est exercée et des vitesses moins élevées dans le cas d'une pression réduite.

Pour mettre la perceuse **EN MARCHÉ**, appuyer sur la gâchette. Pour **ÉTEINDRE** la perceuse, relâcher la gâchette et laisser le mandrin parvenir à l'arrêt complet.

**NOTE :** Un bruit de sifflement ou de tintement provenant de la gâchette pendant l'utilisation est une situation normale pour cet interrupteur.

**NOTE :** L'utilisation de la perceuse à faible vitesse de façon continue peut entraîner une surchauffe. Si la perceuse surchauffe, la refroidir en la laissant tourner à vide et à la vitesse maximum.

## SÉLECTEUR DE SENS DE ROTATION (AVANT / ARRIÈRE / POSITION CENTRALE VERROUILLÉE)

Voir la figure 2, page 10.

Régler le sélecteur de sens de rotation à la position OFF (position centrale verrouillée) pour verrouiller la gâchette pour réduire la possibilité d'un démarrage accidentel lorsque l'appareil n'est pas utilisé.

Positionner le sélecteur de sens de rotation du côté gauche de la gâchette pour pouvoir percer vers l'avant. Positionner le sélecteur de sens de rotation du côté droit de la gâchette pour inverser le sens de rotation.

**NOTE :** La perceuse ne peut fonctionner que si le sélecteur de sens de rotation est poussé à fond vers la droite ou la gauche.

### AVIS :

Pour éviter des dommages aux engrenages, toujours laisser le mandrin parvenir à l'arrêt complet avant de changer de sens de rotation.

### **AVERTISSEMENT :**

Les outils à piles sont toujours en état de fonctionnement. Verrouiller la gâchette lorsque l'outil n'est pas utilisé ou pour le transporter le long du corps, pour insérer ou retirer le bloc-piles et lors de l'installation ou du retrait des forets.

## INSTALLATION/RETRAIT DU BLOC-PILES

Voir la figure 3, page 10.

- Verrouiller la gâchette.
- Insérer la pile dans l'outil comme illustré.
- S'assurer que les loquets de chaque côté de la pile s'enclenchent en place et que la pile est bien fixée à l'outil avant de mettre l'outil en marche.
- Relâcher les loquets pour retirer le bloc-piles.

Pour prendre connaissance des consignes de chargement, consulter le manuel d'utilisation des piles et des chargeurs.

## INSTALLATION/RETRAIT FORETS

Voir les figures 4 et 5, page 10.

Les flèches sur le mandrin sans clé indiquent le sens de rotation du corps du mandrin pour serrer ou dégager le foret de la perceuse.

Ne pas utiliser une clé ordinaire ou une pince pour serrer ou desserrer les mors du mandrin.

- **Pour insérer les forets**, verrouiller la gâchette.
- Ouvrir suffisamment les mors du mandrin pour pouvoir y insérer le foret à utiliser.
- Relever légèrement la partie avant de la perceuse et insérer le foret.

### **AVERTISSEMENT :**

Veiller à insérer le foret ou l'embout droit dans les mors du mandrin. Ne pas insérer un foret dans les mors en serrant. Le foret pourrait être éjecté de la perceuse et causer des blessures graves ou endommager le mandrin.

### **AVERTISSEMENT :**

Ne pas tenir le corps du mandrin d'une main et utiliser la force du moteur pour serrer les mors du mandrin sur le foret ou l'embout. Le mandrin pourrait glisser de la main et celle-ci risquerait d'être heurtée par le foret en rotation. Ceci pourrait entraîner des blessures graves.

- **Pour retirer les forets**, verrouiller la gâchette et ouvrir les mors du mandrin.
- Il est possible d'insérer le foret fourni avec la perceuse dans le rangement situé sur la base de l'outil.



# UTILISATION

## INSTALLATION/RETRAIT DU AGRAFE DE COURROIE

Voir la figure 6, page 11.

Le agrafe de courroie peut être fixé d'un côté ou l'autre de l'outil.

- Aligner le trou du agrafe de courroie avec le trou du logement.
- Installer le vis pour fixer solidement le agrafe de courroie.
- Pour retirer, dévisser le vis et retire le agrafe de courroie.

## TRAIN D'ENGRENAGES À DEUX VITESSES (COMMUTATEUR HI-LO)

Voir la figure 7, page 11.

- Sélectionner la basse vitesse **(1)** pour les applications demandant plus de puissance et un couple plus élevé comme l'enfoncement des vis et le perçage du métal.
- Sélectionner la vitesse élevée **(2)** pour les applications de vissage, perçage rapides et le perçage du bois ou de la maçonnerie et perçage avec percussion.

### AVIS :

Ne jamais changer de gamme de vitesse lorsque l'outil est en fonctionnement. Le non respect de cette mise en garde pourrait entraîner de sérieux dommages à la perceuse.

**NOTE :** S'il est difficile de changer de gamme de vitesse, tourner le mandrin à la main, jusqu'à ce que les pignons s'engrènent.

## SÉLECTEUR DE MODE RAPIDE

Voir le figure 8, page 11.

Ce sélecteur permet de passer rapidement du mode de perçage au mode de vissage.

Mode de perçage doit être utilisé pour le perçage et autres travaux durs. Le mode de vissage doit être utilisé pour visser. Le mode martelage doit être utilisé pour le martelage.

Consulter le tableau ci-dessous pour sélectionner le réglage correspondant le mieux au type d'embout/foret, de vis et de matériau.

- Choisir **L'APPLICATION**
- Choisir la **VITESSE** appropriée : **(1/BASSE** ou **2/HAUTE)**
- Choisir le **MODE** approprié : **(PERÇAGE, VISSAGE, ou MARTELAGE)**

## RÉGLAGE DU COUPLE




Voir la figure 9, page 11.

Selon l'application pour laquelle la perceuse-tournevis est utilisée, le couple doit être augmenté ou réduit afin d'éviter d'endommager les têtes ou le filetage des vis, la pièce de bois, etc. En général, le couple à utiliser est déterminé par le diamètre de la vis. Si le couple est trop élevé pour la taille des vis, celles-ci risquent d'être endommagées ou brisées.

Le couple s'ajuste au moyen de la bague de réglage.

Le couple est plus élevé lorsque la bague est réglée sur une valeur plus élevée. Le couple est moins élevé lorsque la bague est réglée sur une valeur plus basse.

Le réglage dépend du type de matériau et de la taille de la vis utilisée.

APLICACIÓN	VITESSE	MODE
<ul style="list-style-type: none"> <li>• Vis tire-fond de 9.5 mm (3/8 po) dia sur 38,1 mm (1-1/2 po) de long</li> <li>• Scie les trous jusqu'à 50,8 mm (2 po)</li> <li>• Forets plats jusqu'à 38,1 mm (1-1/2 po) maximum</li> <li>• Forets jusqu'à 12,7 mm (1/2 po) maximum</li> <li>• Perçage du métal</li> <li>• Vis de scellement</li> </ul>	<b>1/BASSE</b>	<b>MODE DE PERÇAGE</b> <b>(RÉGLAGE DE COUPLE</b> <b>DÉSACTIVÉ)</b> 
	<b>2/HAUTE</b>	
<ul style="list-style-type: none"> <li>• Vis à bois jusqu'à 76,2 mm (3 po) maximum</li> <li>• Vis autotaraudeuses</li> </ul>	<b>1/BASSE</b>	<b>MODE DE VISSAGE</b> 
<ul style="list-style-type: none"> <li>• Vis à bois jusqu'à 50,8 mm (2 po) maximum</li> <li>• Petites vis ou travail délicat exigeant une plus grande maîtrise</li> </ul>	<b>2/HAUTE</b>	
<ul style="list-style-type: none"> <li>• Pour percer des trous dans la maçonnerie et le béton.</li> </ul>	<b>2/HAUTE</b>	<b>MODE DE PERCUSSION</b> <b>(RÉGLAGE DE COUPLE</b> <b>DÉSACTIVÉ)</b> 

# UTILISATION

## PERÇAGE/VISSER DE VIS

Voir la figure 10, page 11.

### **AVERTISSEMENT :**

Toujours utiliser la poignée auxiliaire pendant l'utilisation de l'outil pour prévenir les réactions causées par le couple. La déformation par torsion ou le blocage de ce produit peut entraîner des blessures graves.

- Installer la poignée auxiliaire.
- Vérifier la position du sélecteur de rotation (rotation avant ou arrière).
- Sélectionner la basse vitesse **(1)** ou la vitesse élevée **(2)** selon l'application à réaliser. Se reporter aux sections **Train d'engrenages à deux vitesses** et **Réglage du couple**.
- Bloquer la pièce de travail dans un étau ou avec des serre-joint pour l'empêcher de tourner avec le foret.
- Tenir solidement la perceuse et positionner le foret à l'endroit où percer ou visser.

### **AVERTISSEMENT :**

Ne pas enfoncer de vis dans des surfaces pouvant dissimuler des fils électriques. En cas de contact avec un fil sous tension, les parties métalliques de l'outil seraient mises sous tension et probablement choc l'opérateur. Si vous devez enfoncer une vis dans un endroit où des fils électriques cachés peuvent être présents, tenir l'outil par les surfaces de prise isolées pour éviter un choc électrique.

- Appuyer sur la gâchette pour mettre le foret en rotation.
- Percer en appuyant assez de pression sur la perceuse pour que le foret morde dans le matériau. Ne pas forcer la perceuse ou appliquer une force latérale pour ovaliser le trou. Laisser l'outil faire le travail.

### **AVERTISSEMENT :**

Lors du perçage, se tenir prêt pour un blocage lorsque le foret traverse le matériau. Dans ces situations, la perceuse a tendance à être propulsée dans le sens contraire à la rotation, ce qui peut causer la perte de contrôle. Si l'opérateur n'est pas préparé, cette perte de contrôle peut entraîner des blessures graves.

- Avant de percer un matériau dur et lisse, poinçonner l'emplacement désiré du trou. Cette précaution empêchera le foret de glisser au départ du trou.

- Si le foret se bloque dans la pièce ou si la perceuse cale, l'arrêter immédiatement. Sortir le foret de la pièce et déterminer la raison du blocage.

**NOTE :** Cette perceuse est équipée d'un frein électrique. Lorsque la gâchette est relâchée, le mandrin cesse de tourner. Si le frein fonctionne correctement, des étincelles sont visibles au travers des trous d'aération du corps de la perceuse. Ces étincelles, causées par le fonctionnement du frein, sont normales.

## PERÇAGE DU BOIS ET DU MÉTAL

Pour une performance optimale, utiliser des forets en acier haute vitesse pour percer le métal ou l'acier. Sélectionner le mode de perçage. Commencer le perçage à très basse vitesse pour éviter que la pointe du foret ne glisse.

### Perçage du bois

- Augmenter la vitesse une fois que le foret a mordu dans le matériau.
- Lors du perçage de trous traversants, placer un morceau de bois derrière la pièce pour éviter l'éclatement du bord inférieur du trou.

### Perçage du métal et de l'acier

- Avant de percer un matériau dur et lisse, poinçonner l'emplacement du trou. Cette précaution empêchera le foret de glisser au départ du trou.
- Appuyer sur la gâchette de façon à maintenir une vitesse ne causant pas la surchauffe du foret. Une pression excessive causerait :
  - La surchauffe de la perceuse ;
  - Une usure excessive des roulements ;
  - La déformation ou le brûlage du foret: et
  - Des trous décentrés ou de forme irrégulière.
- Lors du perçage de gros trous dans le métal, commencer avec un foret de petite taille avant d'élargir le trou avec un foret de plus grande taille.

## PERÇAGE DE PIÈCES DE MAÇONNERIE

Pour une performance optimale, utiliser des embouts pour percussion avec bout enduit au carbure pour la maçonnerie ou des embouts conçus pour les marteaux perforateurs pour percer des trous dans la brique, le carrelage, le ciment, etc. Mettre le sélecteur sur le perçage de percussion.

- Pour un résultat optimal dans la brique, appliquer une pression légère et utiliser une vitesse moyenne.
- Exercer une pression plus forte pour percer les matériaux durs, tels que le béton.
- Avant de percer dans la brique, pratiquer sur une chute pour déterminer la pression et la vitesse optimales. Commencer le perçage à basse vitesse pour éviter que la pointe du foret ne glisse.

# ENTRETIEN

## **AVERTISSEMENT :**

Utiliser exclusivement des pièces d'origine pour les réparations. L'usage de toute autre pièce pourrait créer une situation dangereuse ou endommager l'outil.

## **ENTRETIEN GÉNÉRAL**

Éviter d'utiliser des solvants pour le nettoyage des pièces en plastique. La plupart des matières plastiques peuvent être endommagées par divers types de solvants du commerce. Utiliser un chiffon propre pour éliminer la saleté, la poussière, l'huile, la graisse, etc.

**NOTE : ILLUSTRATIONS COMMENÇANT  
SUR 10 DE PAGE APRÈS LE SECTION ESPANOL.**

# ADVERTENCIAS DE SEGURIDAD GENERALES PARA LA HERRAMIENTA ELÉCTRICA



## ADVERTENCIA

Lea todas las advertencias de seguridad y las instrucciones. El incumplimiento de las advertencias e instrucciones puede ocasionar descarga eléctrica, fuego o lesiones graves.

Guarde todas las advertencias e instrucciones para futuras consultas. El término “herramienta eléctrica” empleado en todos los avisos de advertencia enumerados abajo se refiere a las herramientas eléctricas de cordón (alámbricas) y de baterías (inalámbricas).

## SEGURIDAD EN EL ÁREA DE TRABAJO

- **Mantenga limpia y bien iluminada el área de trabajo.** Un área de trabajo mal despejada o mal iluminada propicia accidentes.
- **No utilice herramientas motorizadas en atmósferas explosivas, como las existentes alrededor de líquidos, gases y polvos inflamables.** Las herramientas eléctricas generan chispas que pueden encender el polvo y los vapores inflamables.
- **Mantenga alejados a los niños y circunstantes al maniobrar una herramienta eléctrica.** Toda distracción puede causar pérdida del control de la herramienta.

## SEGURIDAD ELÉCTRICA

- **Las clavijas de las herramientas eléctricas deben corresponder a las tomas de corriente donde se conectan. Nunca modifique la clavija de ninguna forma. No utilice ninguna clavija adaptadora con herramientas eléctricas dotadas de contacto a tierra.** Conectando las clavijas originales en las tomas de corriente donde corresponden se disminuye el riesgo de una descarga eléctrica.
- **Evite el contacto del cuerpo con las superficies de objetos que estén haciendo tierra o estén conectados a ésta, como tuberías, radiadores, estufas y refrigeradores.** Existe un mayor riesgo de descargas eléctricas si el cuerpo está haciendo tierra.
- **No exponga las herramientas eléctricas a la lluvia ni a condiciones de humedad.** La introducción de agua en una herramienta eléctrica aumenta el riesgo de descargas eléctricas.
- **No maltrate el cordón eléctrico. Nunca utilice el cordón para trasladar, desconectar o tirar de la herramienta eléctrica. Mantenga el cordón alejado del calor, del aceite, de bordes afilados y de piezas móviles.** Los cordones eléctricos dañados o enredados aumentan el riesgo de descargas eléctricas.
- **Al utilizar una herramienta eléctrica a la intemperie, use un cordón de extensión apropiado para el exterior.** Usando un cordón adecuado para el exterior se disminuye el riesgo de descargas eléctricas.
- **Si debe operar una herramienta en lugares húmedos, use un suministro protegido por un interruptor de circuito con pérdida a tierra (GFCI).** El uso de un GFCI reduce el riesgo de descargas eléctricas.
- **Cargue las baterías solamente con el cargador indicado.** Para utilizar con paquetes de baterías de iones de litio de 18 V, consulte el folleto de la herramienta/aparato/paquete de baterías/cargador complementario 987000-432.

## SEGURIDAD PERSONAL

- **Permanezca alerta, preste atención a lo que esté haciendo y aplique el sentido común al utilizar herramientas eléctricas. No utilice la herramienta eléctrica si está cansado o se encuentra bajo los efectos de alguna droga, alcohol o medicamento.** Un momento de inatención al utilizar una herramienta eléctrica puede causar lesiones corporales serias.

- **Use equipo de seguridad. Siempre póngase protección ocular.** El uso de equipo de seguridad como mascarilla para el polvo, calzado de seguridad, casco y protección para los oídos en las circunstancias donde corresponda disminuye el riesgo de lesiones.
- **Evite un arranque accidental de la unidad. Asegúrese de que el interruptor esté en la posición de apagado antes de conectar la herramienta.** Portar las herramientas eléctricas con el dedo en el interruptor, o conectarlas con el interruptor puesto, propicia accidentes.
- **Retire toda llave o herramienta de ajuste antes de encender la herramienta eléctrica.** Toda llave o herramienta de ajuste dejada en una pieza giratoria de la herramienta eléctrica puede causar lesiones.
- **No estire el cuerpo para alcanzar mayor distancia. Mantenga una postura firme y buen equilibrio en todo momento.** De esta manera se logra un mejor control de la herramienta eléctrica en situaciones inesperadas.
- **Vístase adecuadamente. No vista ropas holgadas ni joyas. Mantenga el cabello, la ropa y los guantes alejados de las piezas móviles.** Las ropas holgadas, las joyas y el cabello largo pueden engancharse en las piezas móviles.
- **Si se suministran dispositivos para conectar mangueras de extracción y captación de polvo, asegúrese de que éstas estén bien conectadas y se usen correctamente.** La utilización de captador de polvo puede disminuir los peligros relacionados con el polvo.
- **No vista ropas holgadas ni joyas. Recójase el cabello si está largo.** Las ropas holgadas y las joyas, así como el cabello largo, pueden resultar atraídas hacia el interior de las aberturas de ventilación.
- **No utilice la unidad al estar en una escalera o en un soporte inestable.** Una postura estable sobre una superficie sólida permite un mejor control de la herramienta eléctrica en situaciones inesperadas.

## EMPLEO Y CUIDADO DE LA HERRAMIENTA ELÉCTRICA

- **No fuerce la herramienta eléctrica. Utilice la herramienta eléctrica adecuada para cada trabajo.** La herramienta eléctrica adecuada efectúa mejor y de manera más segura el trabajo, si además se maneja a la velocidad para la que está diseñada.
- **No utilice la herramienta si el interruptor no enciende o no apaga.** Cualquier herramienta eléctrica que no pueda controlarse con el interruptor es peligrosa y debe repararse.
- **Desconecte la clavija del suministro de corriente o retire el paquete de baterías de la herramienta eléctrica, según sea el caso, antes de efectuarle cualquier ajuste, cambiarle accesorios o guardarla.** Tales medidas preventivas de seguridad reducen el riesgo de poner en marcha accidentalmente la herramienta.
- **Guarde las herramientas eléctricas desocupadas fuera del alcance de los niños y no permita que las utilicen personas no familiarizadas con las mismas o con estas instrucciones.** Las herramientas eléctricas son peligrosas en manos de personas no capacitadas en el uso de las mismas.
- **Preste servicio a las herramientas eléctricas. Revise para ver si hay desalineación o atoramiento de piezas móviles, ruptura de piezas o cualquier otra condición que pueda afectar el funcionamiento de la herramienta. Si está dañada la herramienta eléctrica, permita que la reparen antes de usarla.** Numerosos accidentes son causados por herramientas eléctricas mal cuidadas.

# ADVERTENCIAS DE SEGURIDAD GENERALES PARA LA HERRAMIENTA ELÉCTRICA

- **Mantenga las herramientas de corte afiladas y limpias.** Las herramientas de corte bien cuidadas y con bordes bien afilados, tienen menos probabilidad de atascarse en la pieza de trabajo y son más fáciles de controlar.
- **Utilice la herramienta eléctrica, los accesorios y brocas, hojas y cuchillas de corte, ruedas de esmeril, etc. de conformidad con estas instrucciones, tomando en cuenta las condiciones de trabajo y la tarea por realizar.** Si se utiliza la herramienta eléctrica para operaciones diferentes de las indicadas podría originar una situación peligrosa.

## EMPLEO Y CUIDADO DE LA HERRAMIENTA DE BATERÍAS

- **Sólo cargue el paquete de baterías con el cargador especificado por el fabricante.** Un cargador adecuado para un tipo paquete de baterías puede significar un riesgo de incendio si se emplea con un paquete de baterías diferente.
- **Utilice las herramientas eléctricas sólo con los paquetes de baterías específicamente indicados.** El empleo de paquetes de baterías diferentes puede presentar un riesgo de incendio.
- **Cuando no esté utilizándose el paquete de baterías, manténgalo lejos de otros objetos metálicos, como clips,**

**monedas, llaves, clavos, tornillos o otros objetos metálicos, pequeños que puedan establecer conexión entre ambas terminales.** Establecer una conexión directa entre las dos terminales de las baterías puede causar quemaduras o incendios.

- **Si se maltratan las baterías, puede derramarse líquido de las mismas; evite todo contacto con éste. En caso de contacto, lávese con agua. Si el líquido llega a tocar los ojos, además busque atención médica.** El líquido de las baterías puede causar irritación y quemaduras.

## SERVICIO

- **Permita que un técnico de reparación calificado preste servicio a la herramienta eléctrica, y sólo con piezas de repuesto idénticas.** De esta manera se mantiene la seguridad de la herramienta eléctrica.
- **Al dar servicio a una herramienta eléctrica, sólo utilice piezas de repuesto idénticas. Siga las instrucciones señaladas en la sección Mantenimiento de este manual.** El empleo de piezas no autorizadas o el incumplimiento de las instrucciones de mantenimiento puede significar un riesgo de descarga eléctrica o de lesiones.

# ADVERTENCIAS DE SEGURIDAD PARA TALADRO DE IMPACTO

- **Al utilizar taladros de impacto póngase protectores para los oídos.** La exposición a ruido puede producir la pérdida de la audición.
- **Utilice el o los mangos auxiliares, de venir provistos junto con la herramienta.** Cualquier pérdida de control puede causar lesiones personales.
- **Sujete las herramientas eléctricas por las superficies aisladas de sujeción al efectuar una operación en la cual la herramienta de corte pueda entrar en contacto con cables ocultos o con su propio cordón eléctrico.** Todo contacto de una herramienta con un cable cargado carga las piezas metálicas expuestas de la herramienta y da una descarga eléctrica al operador.
- **Familiarícese con su herramienta eléctrica. Lea cuidadosamente el manual del operador. Aprenda sus usos y limitaciones, así como los posibles peligros específicos de esta herramienta eléctrica.** Con el cumplimiento de esta regla se reduce el riesgo de una descarga eléctrica, incendio o lesión seria.
- **Siempre use protección ocular con laterales protectores con la marca de cumplimiento con la norma ANSI Z87.1 al ensamblar piezas, utilizar la herramienta o llevar a cabo tareas de mantenimiento.** Con el cumplimiento de esta regla se reduce el riesgo de lesiones corporales serias.
- **Protéjase los pulmones. Use una careta o mascarilla contra el polvo si la operación genera mucho polvo.** Con el cumplimiento de esta regla se reduce el riesgo de lesiones serias.
- **Protéjase los oídos. Durante períodos prolongados de utilización del producto, póngase protección para los oídos.** Con el cumplimiento de esta regla se reduce el riesgo de lesiones corporales serias.
- **No se necesita conectar a una toma de corriente las herramientas de baterías; por lo tanto, siempre están en condiciones de funcionamiento. Esté consciente de los posibles peligros cuando no esté usando la herramienta**




**de baterías o cuando esté cambiando los accesorios de la misma.** Con el cumplimiento de esta regla se reduce el riesgo de una descarga eléctrica, incendio o lesión corporal seria.

- **No coloque herramientas de baterías ni las baterías mismas cerca del fuego o del calor.** De esta manera se reduce el riesgo de explosiones y de lesiones.
- **No aplaste, deje caer o dañe de baterías. Nunca utilice una batería o cargador que se ha caído, aplastado, recibido un golpe contundente o ha sido dañado(a) de alguna manera.** Las baterías dañadas pueden sufrir explosiones. Deseche de inmediato toda batería que haya sufrido una caída o cualquier daño.
- **Las baterías pueden explotar en presencia de fuentes de inflamación, como los pilotos de gas.** Para reducir el riesgo de lesiones serias, nunca use un producto inalámbrico en presencia de llamas expuestas. La explosión de una batería puede lanzar fragmentos y compuestos químicos. Si ha quedado expuesto a la explosión de una batería, lávese de inmediato con agua.
- **No cargue herramientas de baterías en lugares mojados o húmedos.** Con el cumplimiento de esta regla se reduce el riesgo de una descarga eléctrica.
- **Para obtener resultados óptimos, debe cargar la herramienta de baterías en un lugar donde la temperatura esté entre 10 y 38 °C (entre 50 y 100 °F).** No guarde la herramienta a la intemperie ni en el interior de vehículos.
- **En condiciones extremas de uso o temperatura las baterías pueden emanar líquido. Si el líquido llega a tocarle la piel, lávese de inmediato con agua y jabón. Si le entra líquido en los ojos, láveselos con agua limpia por lo menos 10 minutos, y después busque de inmediato atención médica.** Con el cumplimiento de esta regla se reduce el riesgo de lesiones corporales serias.
- **Guarde estas instrucciones.** Consúltelas con frecuencia y empléelas para instruir a otras personas que puedan utilizar esta herramienta. Si presta a alguien esta herramienta, facilítele también las instrucciones.








# SÍMBOLOS

Las siguientes palabras de señalización y sus significados tienen el objeto de explicar los niveles de riesgo relacionados con este producto.

SÍMBOLO	SEÑAL	SIGNIFICADO
	<b>PELIGRO:</b>	Indica una situación peligrosa, la cual, si no se evita, causará la muerte o lesiones serias.
	<b>ADVERTENCIA:</b>	Indica una situación peligrosa, la cual, si no se evita, podría causar la muerte o lesiones serias.
	<b>PRECAUCIÓN:</b>	Indica una situación peligrosa, la cual, si no se evita, podría causar lesiones menores o leves.
	<b>AVISO:</b>	(Sin el símbolo de alerta de seguridad) Indica la información que se considera importante, pero no relacionada con lesiones potenciales (por ej. en relación a daños a la propiedad).

Es posible que se empleen en este producto algunos de los siguientes símbolos. Le suplicamos estudiarlos y aprender su significado. Una correcta interpretación de estos símbolos le permitirá utilizar mejor y de manera más segura el producto.

SÍMBOLO	NOMBRE	DENOMINACIÓN/EXPLICACIÓN
	Alerta de seguridad	Indica un peligro posible de lesiones personales.
	Lea el manual del operador	Para reducir el riesgo de lesiones, el usuario debe leer y comprender el manual del operador antes de usar este producto.
	Protección ocular	Siempre póngase protección ocular con protección lateral con la marca de cumplimiento de la norma ANSI Z87.1.
	Alerta de condiciones húmedas	No exponga la unidad a la lluvia ni la use en lugares húmedos.
	Símbolo de reciclado	Este producto contiene baterías de iones de litio (Li-ion). Es posible que algunas leyes municipales, estatales o federales prohíban desechar las baterías en la basura normal. Consulte a las autoridades reguladoras de desechos para obtener información en relación con las alternativas de reciclado y desecho disponibles.
V	Volts	Voltaje
min	Minutos	Tiempo
==	Corriente continua	Tipo o característica de corriente
$n_0$	Velocidad en vacío	Velocidad de rotación, en vacío
.../min	Por minuto	Revoluciones, carreras, velocidad superficial, órbitas, etc., por minuto

# CARACTERÍSTICAS

## ESPECIFICACIONES DEL PRODUCTO

Velocidad en vacío .....0-410 / 0-1 800 r/min. (RPM)  
Embrague.....24 posiciones

Fuerza de torsión..... 84,7 Nm (750 lb. pulg.)

Velocidad de percusión  
Golpes por minuto).....0-5 400 / 0-23 000 GPM

## ARMADO

### DESEMPAQUETADO

Este producto requiere armarse.

- Extraiga cuidadosamente de la caja la herramienta y los accesorios. Todos los elementos enumerados en la sección “**Incluye**” se deben incluir al momento de la compra.

#### **ADVERTENCIA:**

Las piezas incluidas en esta sección de *Armado* no vienen ensambladas en el producto de fábrica y requieren la instalación por parte del cliente. El uso de un producto que pueda haber sido armado de manera incorrecta podría provocar lesiones personales graves.

Si hay piezas dañadas o faltantes, llame al 1-800-525-2579, donde le brindaremos asistencia. En México, llame al 01-800-843-1111.

#### **ADVERTENCIA:**

Si falta o está dañada alguna pieza, no utilice este producto sin haber reemplazado la pieza. Usar este producto con partes dañadas o faltantes puede causar lesiones serias al operador.

#### **ADVERTENCIA:**

No intente modificar este producto ni hacer aditamentos ni accesorios no recomendados para el mismo. Cualquier alteración o modificación constituye maltrato el cual puede causar una condición peligrosa, y como consecuencia posibles lesiones corporales serias.

### INSTALACIÓN/AJUSTE DE MANGO AUXILIAR

*Vea la figura 1, página 10.*

El taladro viene con un mango auxiliar que facilita el funcionamiento y ayuda a prevenir la pérdida del control. El mango se puede montar en cualquiera de los lados del taladro, para usar con la mano derecha o izquierda.

- Introduzca el tornillo del mango en el orificio ubicado sobre el interruptor del gatillo y coloque la cabeza hexagonal dentro del orificio.
- Deslice el collar del mango por el tornillo y coloque el extremo hexagonal del collar dentro del orificio hexagonal.
- Enrosque el mango auxiliar en el tornillo y ajuste firmemente.

## FUNCIONAMIENTO

#### **ADVERTENCIA:**

No permita que su familiarización con las herramientas lo vuelva descuidado. Tenga presente que un descuido de un instante es suficiente para causar una lesión grave.

#### **ADVERTENCIA:**

Siempre retire el paquete de baterías de la herramienta cuando esté ensamblando partes, realizando ajustes, limpiando o cuando ésta no esté en uso. Retirando el paquete de baterías se evita arrancar accidentalmente la unidad, lo cual puede causar lesiones serias.

#### **ADVERTENCIA:**

Siempre póngase protección ocular con protección lateral con la marca de cumplimiento de la norma ANSI Z87.1. Si no cumple esta advertencia, los objetos que salen despedidos pueden producirle lesiones serias en los ojos.

#### **ADVERTENCIA:**

No utilice ningún aditamento o accesorio no recomendado por el fabricante de esta producto. El empleo de aditamentos o accesorios no recomendados podría causar lesiones serias.

# FUNCIONAMIENTO

## APLICACIONES

Este producto puede emplearse para los fines siguientes:

- Taladrado de percusión en hormigón, ladrillo y otros tipos de mampostería
- Taladrado productos de madera (madera aserrada, madera contrachapada, paneles, madera compuesta y madera dura), cerámica, plásticos, fibra de vidrio y material laminado, y metales; Enroscar tornillos con puntas de destornillador

## GATILLO DEL INTERRUPTOR DE VELOCIDAD VARIABLE

Vea la figura 2, página 10.

El gatillo de velocidad variable produce mayor velocidad cuanto mayor presión se aplica en el gatillo, y menor velocidad cuanto menor presión se aplica en el mismo.

Para **ENCENDER** el taladro, oprima el gatillo del interruptor. Para **DETENER** el taladro, suelte el gatillo del interruptor y permita que se detenga completamente el portabrocas.

**NOTA:** Un silbido o zumbido que viene del interruptor durante el uso es una parte normal de la función del interruptor.

**NOTA:** Si se hace funcionar el taladro a baja velocidad en uso constante puede recalentarse. Si ocurre tal situación, enfríe el taladro poniéndolo a funcionar en vacío y a toda velocidad.

## SELECTOR DE SENTIDO DE ROTACIÓN (MARCHA ADELANTE/ATRÁS/SEGURO EN EL CENTRO)

Vea la figura 2, página 10.

Ajuste el selector de sentido de rotación en la posición de **APAGADO** (seguro en el centro) para bloquear el gatillo del interruptor y ayudar a prevenir un arranque accidental cuando no esté en uso.

Ubique el selector de sentido de rotación a la izquierda del gatillo del interruptor para taladrar hacia adelante. Ubique el selector a la derecha del gatillo del interruptor para taladrar hacia atrás.

**NOTA:** El taladro no funciona a menos que se empuje el selector de dirección de giro completamente a la izquierda o derecha.

### AVISO:

Para evitar dañar el engranaje, antes de cambiar el sentido de rotación siempre permita que se detenga completamente el portabrocas.

### ⚠ ADVERTENCIA:

Las herramientas de baterías siempre están en condiciones de funcionamiento. Bloquee el interruptor cuando no esté en uso o lo lleve a su lado, al instalar o extraer el paquete de baterías y al instalar o extraer brocas.

## INSTALACIÓN/DESMONTAR DEL PAQUETE DE BATERÍAS

Vea la figura 3, página 10.

- Bloquee el gatillo del interruptor.
- Coloque el paquete de baterías en el producto como se muestra.
- Asegúrese de que los pestillos situados a ambos lados del paquete de baterías entren completamente en su lugar con un chasquido y de que el paquete quede bien asegurado en la herramienta antes de comenzar a utilizarla.
- Oprima los pestillos para extraer el paquete de baterías.

Para obtener instrucciones específicas de carga, lea el manual del operador que se incluye con el cargador y la batería.

## INSTALACIÓN/DESMONTAR DE LAS BROCAS

Vea las figuras 4 y 5, página 10.

Las flechas en el portabrocas sin llaves indican en qué dirección girar el cuerpo del portabrocas para apretar o soltar la broca.

No utilice ninguna llave para apretar o aflojar las mordazas del portabrocas.

- **Para instalar las brocas**, bloquee el gatillo del interruptor.
- Abra o cierre las mordazas del portabrocas a tal punto que la abertura sea levemente más grande que la broca deseada.
- Levante la parte delantera del taladro ligeramente e inserte la broca.

### ⚠ ADVERTENCIA:

Asegúrese de introducir la broca recta en las mordazas del portabrocas. No introduzca en ángulo la broca en las mordazas del portabrocas para después apretarla. Podría causar que la broca salga disparada del taladro, y por consecuencia, posibles lesiones corporales serias, o daños al portabrocas.

### ⚠ ADVERTENCIA:

No sujete el cuerpo del portabrocas con una mano para usar la potencia del taladro con el fin de apretar la broca en las mordazas. El cuerpo del portabrocas podría resbalarse en la mano, o la mano misma podría resbalarse y llegar a tocar la broca girante. Esto podría causar un accidente, y como consecuencia lesiones corporales serias.

- **Para extraer las brocas**, bloquee el gatillo del interruptor y abra las mordazas del portabrocas.
- La broca suministrada con el taladro pueden colocarse en el compartimiento situado en la base de la unidad.

# FUNCIONAMIENTO

## INSTALACIÓN/DESMONTAR DE CLIP PARA EL CINTURÓN

Vea la figura 6, página 11.

El clip para el cinturón se puede usar en cualquiera de los dos lados de la herramienta.

- Alinee el orificio de clip del cinturón con el orificio de alojamiento.
- Coloque el tornillo para asegurarla.
- Para retirar, afloje el tornillo y retire el clip del cinturón.

## TREN DE ENGRANAJES DE DOS VELOCIDADES

### (INTERRUPTOR HI-LO)

Vea la figura 7, página 11.

- Seleccione la velocidad baja **(1)** para aplicaciones que requieran más potencia y fuerza de torsión, tal como colocar tornillos y taladrar en metal.
- Seleccione la velocidad alta **(2)** para aplicaciones rápidas con taladro o destornillador, para taladrar en madera o mampostería y taladrado de percusión.

### AVISO:

Nunca cambie de gama de velocidad mientras esté funcionando la herramienta. El incumplimiento de esta precaución puede producir daños serios en el taladro.

**NOTA:** Si tiene dificultades para cambiar de una gama de velocidad a la otra, gire con la mano el portabrocas hasta que embraguen los engranajes.

## SELECTOR DE MODO RÁPIDO

Vea la figura 8, página 11.

El selector de modo rápido permite cambiar rápidamente de modo de taladrado a modo de atornillado.

Modo de taladrado debe emplearse para tal fin y otras aplicaciones de trabajo pesado. El modo de atornillado debe usarse para impulsar tornillos. El modo de percusión debe usarse para taladrado de percusión.

En el cuadro de la siguiente página, seleccione la opción que coincida mejor con el tipo de broca o punta de destornillador, tornillo y material que esté usando.

- Escoja la **OPERACIÓN**
- Escoja la **VELOCIDAD** adecuada: **(1/BAJA o 2/ALTA)**
- Escoja el **MODO ADECUADO:** **(ATORNILLADO, TALADRADO o PERCUSIÓN)**

## AJUSTE LA FUERZA DE TORSIÓN




Vea la figura 9, página 11.

Al utilizar el taladro para diversas operaciones de atornillado, es necesario aumentar o disminuir la fuerza de torsión con el fin de evitar posibles daños a las cabezas o roscas de los tornillos, a la pieza de trabajo, etc. En general, la fuerza de torsión debe corresponder al diámetro del tornillo. Si la fuerza de torsión es demasiado elevada, o los tornillos demasiado pequeños, pueden dañarse o romperse los tornillos.

La fuerza de torsión se ajusta girando el anillo de ajuste de la misma.

La fuerza de torsión es mayor cuando el anillo de ajuste de la misma se pone en una marca alta. La fuerza de torsión es menor cuando el anillo de ajuste de la misma se pone en una marca baja.

El ajuste adecuado depende del tipo de material y del tamaño del tornillo.

APPLICATION	VELOCIDAD	MODO
<ul style="list-style-type: none"> <li>• Tornillos tirafondos hasta de 9,5 mm (3/8 pulg.) de diám. por 38,1 mm (1-1/2 pulg.) de long.</li> <li>• Brocas sierra hasta de 50,8 mm (2 pulg.)</li> <li>• Brocas de pala hasta de 38,1 mm (1-1/2 pulg.)</li> <li>• Brocas hasta de 12,7 mm (1/2 pulg.)</li> <li>• Taladrado en metal</li> <li>• Tornillos para hormigón</li> </ul>	1/BAJA	<b>MODO DE TALADRADO</b> (AJUSTE DE FUERZA DE TORSIÓN INACTIVO) 
	2/ALTA	
<ul style="list-style-type: none"> <li>• Tornillos hasta de 76 mm (3 pulg.) para entablados o madera</li> <li>• Tornillos roscadores</li> </ul>	1/BAJA	<b>MODO DE ATORNILLADO</b> 
	2/ALTA	
<ul style="list-style-type: none"> <li>• Taladra en mampostería y concreto.</li> </ul>	2/ALTA	<b>MODO DE PERCUSIÓN</b> (AJUSTE DE FUERZA DE TORSIÓN INACTIVO) 

# FUNCIONAMIENTO

## TALADRADO/INTRODUCCIÓN DE TORNILLOS

Vea la figura 10, página 11.

### ADVERTENCIA:

Siempre utilice el mango auxiliar cuando emplee esta herramienta para resistir mejor las reacciones de fuerza de torsión. Si este producto se atora o se cala, se podrían producir lesiones personales graves.

- Instalar el mango auxiliar.
- Revise el selector de sentido de rotación para ver si está en la posición correcta (marcha adelante o atrás).
- Seleccione la velocidad baja (1) o la velocidad alta (2), dependiendo de la aplicación. Consulte tren de **Tren de engranajes de dos velocidades** y **Auste de la fuerza de torsión**.
- Asegure la pieza de trabajo en una prensa o con abrazaderas para evitar que rote a medida que la broca gira.
- Sostenga firmemente el taladro y coloque la broca en el punto a taladrar o donde se colocará el tornillo.

### ADVERTENCIA:

No introduzca tornillos donde pudiera haber cables ocultos detrás de la superficie. Todo contacto de una herramienta con un cable cargado carga las piezas metálicas expuestas de la herramienta y da una descarga eléctrica posiblemente al operador. Si debe introducir tornillos donde pudiera haber cables ocultos, siempre sujete la herramienta por las superficies aisladas de sujeción (mango) al efectuar una operación para evitar una descarga eléctrica al operador.

- Oprima el gatillo del interruptor para encender el taladro.
- Introduzca la broca en la pieza de trabajo, aplicando la presión suficiente para mantener el corte de la broca. No fuerce el taladro ni aplique presión lateral para ovalar el orificio. Permita que la herramienta realice el trabajo.

### ADVERTENCIA:

Al taladrar, esté preparado por si se atasca la broca al traspasar la pieza de trabajo. Cuando ocurren estas situaciones, el taladro presenta una tendencia a trabarse y dar un contragolpe en la dirección opuesta, y podría causar una pérdida de control al perforar el material. Si usted no está preparado, esta pérdida de control podría ser causa de lesiones serias.

- Al taladrar superficies lisas y duras, use un punzón para marcar la ubicación deseada del orificio. De esta manera se evita que la broca se desplace del centro al iniciar la perforación.

- Si se atora la broca en la pieza de trabajo, o si se detiene el taladro, apague de inmediato la herramienta. Retire la broca de la pieza de trabajo y determine la razón causante del atoramiento.

**NOTA:** Este taladro dispone de un freno eléctrico. Al soltarse el gatillo del interruptor, el portabrocas cesa de girar. Cuando el freno funciona correctamente, se observan chispas a través de las ranuras de ventilación del alojamiento del motor. Esto es normal y es la acción del freno.

## TALADRADO EN MADERA Y METAL

Para obtener un desempeño óptimo de la unidad, utilice brocas de acero de alta velocidad para taladrado en madera o en metal. Seleccione el modo de taladrado. Comience a taladrar a una velocidad muy baja para impedirle a la broca abandonar el punto inicial.

### Taladrado en madera

- Aumente la velocidad a medida que la broca penetra en el material.
- Al taladrar orificios de lado a lado, coloque un bloque de madera detrás de la pieza de trabajo para evitar producir orillas deshilachadas o astilladas en la parte posterior del orificio.

### Taladrado en metal y acero

- Aplique aceite de baja viscosidad en la broca para evitar el recalentamiento de la misma. El aceite prolonga la vida de servicio de la broca y aumenta la eficacia de la operación de taladrado.
- Mantenga una velocidad y una presión tales que permitan taladrar sin recalentar la broca. Si se aplica demasiada presión:
  - Se recalienta el taladro;
  - Se gastan los cojinetes;
  - Se doblan o queman las brocas; y
  - Se producen orificios descentrados o de forma irregular.
- Al taladrar agujeros grandes en metal, comience con una broca pequeña y luego termine con una grande adicional.

## TALADRADO EN OBRAS DE ALBAÑILERÍA

Para maximizar el rendimiento, utilice brocas de impacto para mampostería con puntas de carburo o las brocas para taladros de percusión designadas cuando perforo orificios en ladrillos, losas, concreto, etc. Escoja taladrado de percusión.

- Para obtener resultados óptimos en ladrillo, aplique presión leve y velocidad mediana.
- En materiales duros como el hormigón, aplique presión adicional.
- Al taladrar orificios en azulejo o baldosa, practique con una pieza de desecho para determinar la mejor combinación de velocidad y presión. Comience a taladrar a una velocidad muy baja para impedirle a la broca abandonar el punto inicial.



# MANTENIMIENTO



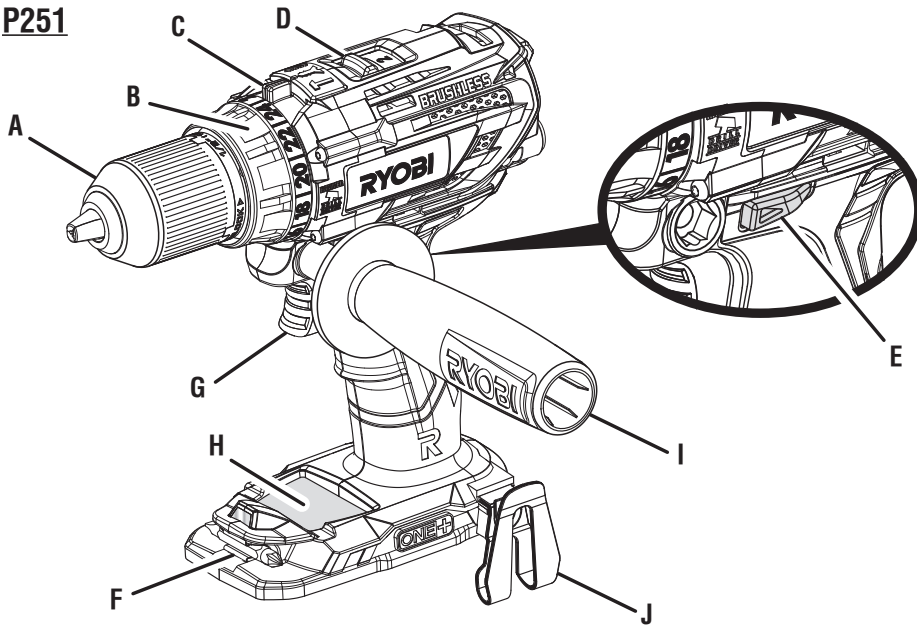
## **ADVERTENCIA:**

Al dar servicio a la unidad, sólo utilice piezas de repuesto idénticas. El empleo de piezas diferentes puede causar un peligro o dañar el producto.

## **MANTENIMIENTO GENERAL**

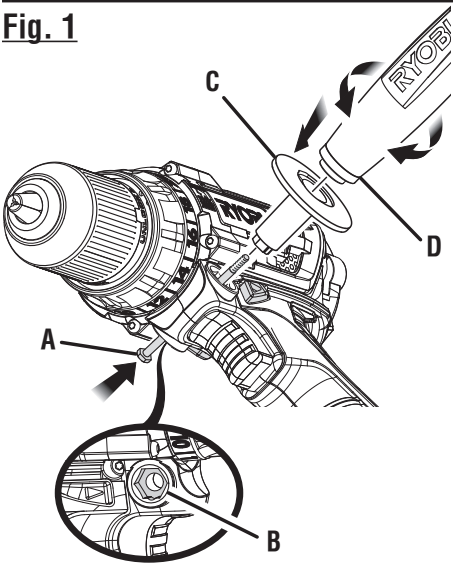
Evite el empleo de solventes al limpiar piezas de plástico. La mayoría de los plásticos son susceptibles a diferentes tipos de solventes comerciales y pueden resultar dañados. Utilice paños limpios para eliminar la suciedad, el polvo, el aceite, la grasa, etc.

**P251**



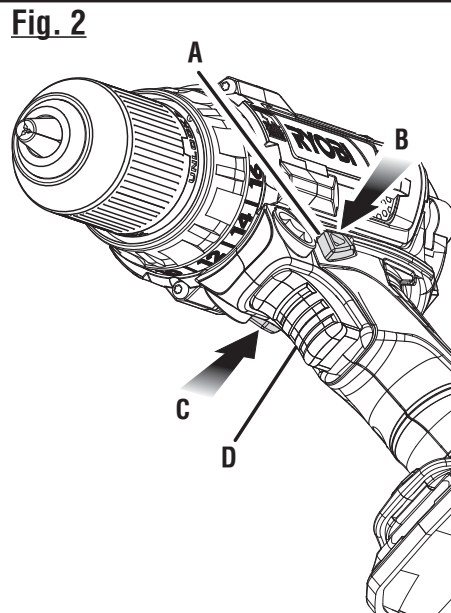
- A - Keyless chuck (mandrin sans clé, portabrocas de apriete sin llave)
- B - Torque adjustment ring (bague de réglage du couple, anillo de ajuste de fuerza de torsión)
- C - Quick mode selector (sélecteur de mode rapide, selector de modo rápido)
- D - Two-speed gear train (high-low) [train d'engrenages à deux vitesses (haute et basse, engranaje de dos velocidades (alta-baja)]
- E - Direction of rotation selector (forward/reverse/center lock) [sélecteur de sens de rotation (avant/arrière/verrouillage central), selector de sentido de rotación (adelante/atrás/seguro en el centro)]
- F - Bit storage (rangement d'embouts, compartimento de puntas)
- G - Switch trigger (gâchette, gatillo del interruptor)
- H - MagTray™ (MagTray™, MagTray™)
- I - Auxiliary handle (poignée auxiliaire, mango auxiliar)
- J - Belt clip (agrafe de courroie, clip del cinturón)

**Fig. 1**



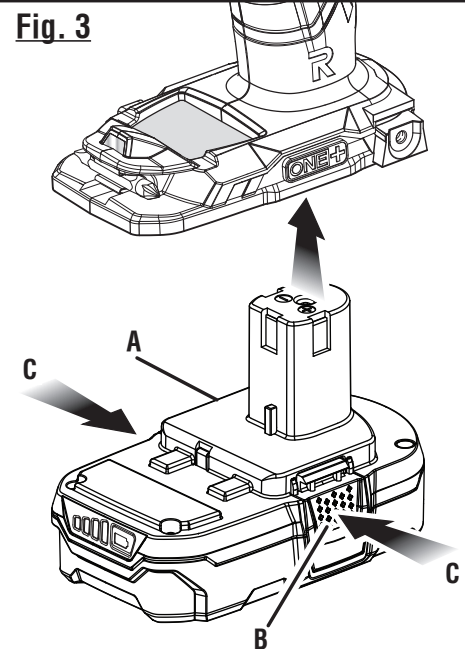
- A - Handle screw (vis de poignée, tornillo del mango)
- B - Hex head hole (trou hexagonal, orificio de la cabeza hexagonal)
- C - Handle collar (collier de la poignée, collar del mango)
- D - Auxiliary handle (poignée auxiliaire, mango auxiliar)

**Fig. 2**



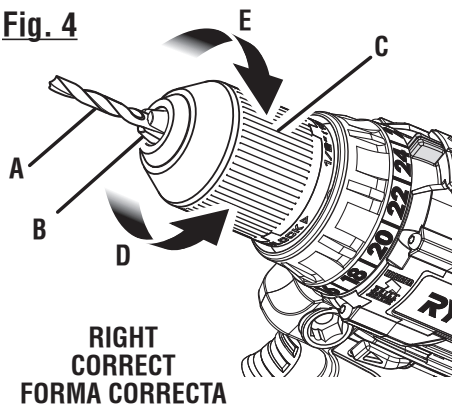
- A - Direction of rotation selector (sélecteur de sens de rotation, selector de sentido de rotación)
- B - Reverse (rotation arrière, marcha atrás)
- C - Forward (rotation avant, marcha adelante)
- D - Switch trigger (gâchette, gatillo del interruptor)

**Fig. 3**



- A - Battery pack (bloc-pile, paquete de batería)
- B - Latches (loquets, pestillos)
- C - Depress latches to release battery pack (appuyer sur les loquets pour libérer le bloc-piles, para soltar el paquete de baterías oprima los pestillos)

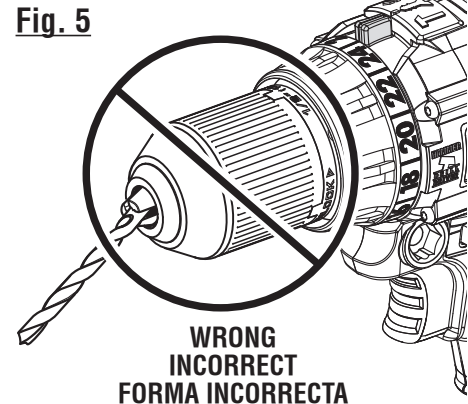
**Fig. 4**



**RIGHT  
CORRECT  
FORMA CORRECTA**

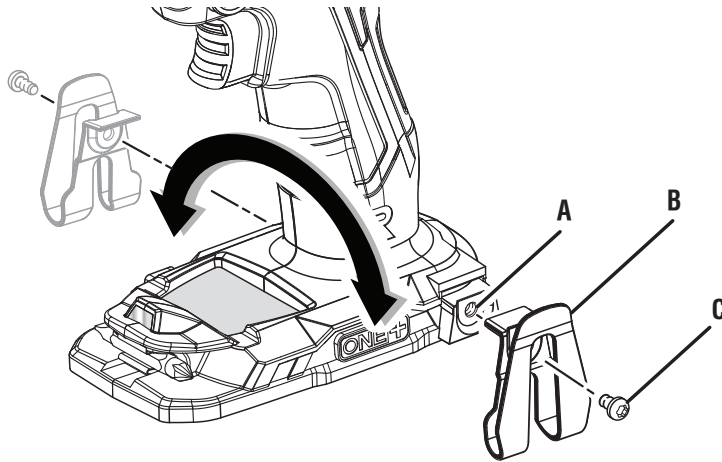
- A - Drill bit (foret, broca)
- B - Chuck jaws (mors du mandrin, mordazas del portabrocas)
- C - Chuck sleeve (collet du mandrin, collar del portabrocas)
- D - Unlock (release) [unlock (desserage), unlock (aflojar)]
- E - Lock (tighten) [lock (serrage), lock (apretar)]

**Fig. 5**



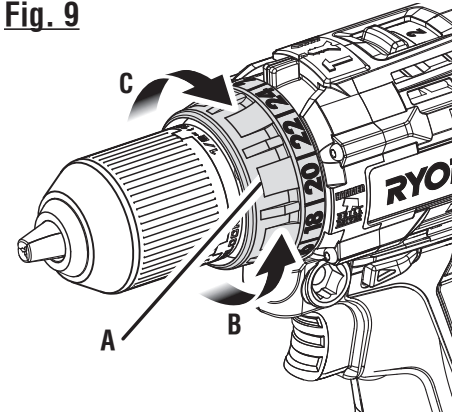
**WRONG  
INCORRECT  
FORMA INCORRECTA**

**Fig. 6**



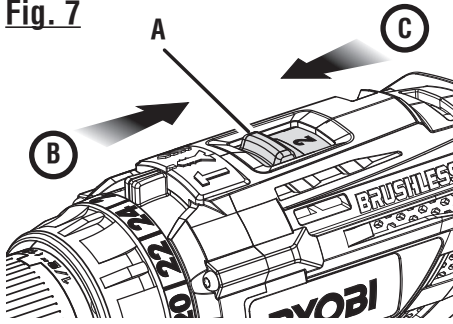
- A - Hole (trou, agujero)
- B - Belt clip (agrafe de courroie, clip del cinturón)
- C - Screw (vis, tornillo)

**Fig. 9**



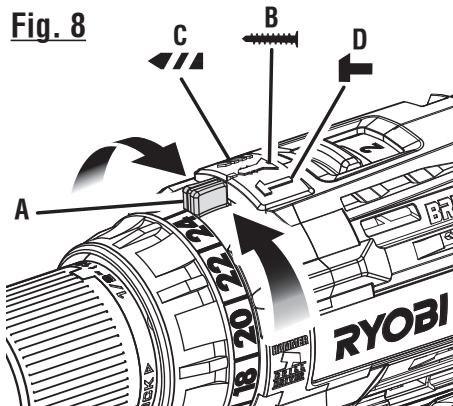
- A - Torque adjustment ring (bague de réglage du couple, anillo de ajuste de fuerza de torsión)
- B - To decrease torque (pour réduire le couple, para disminuir la fuerza de torsión)
- C - To increase torque (pour augmenter le couple, para aumentar la fuerza de torsión)

**Fig. 7**



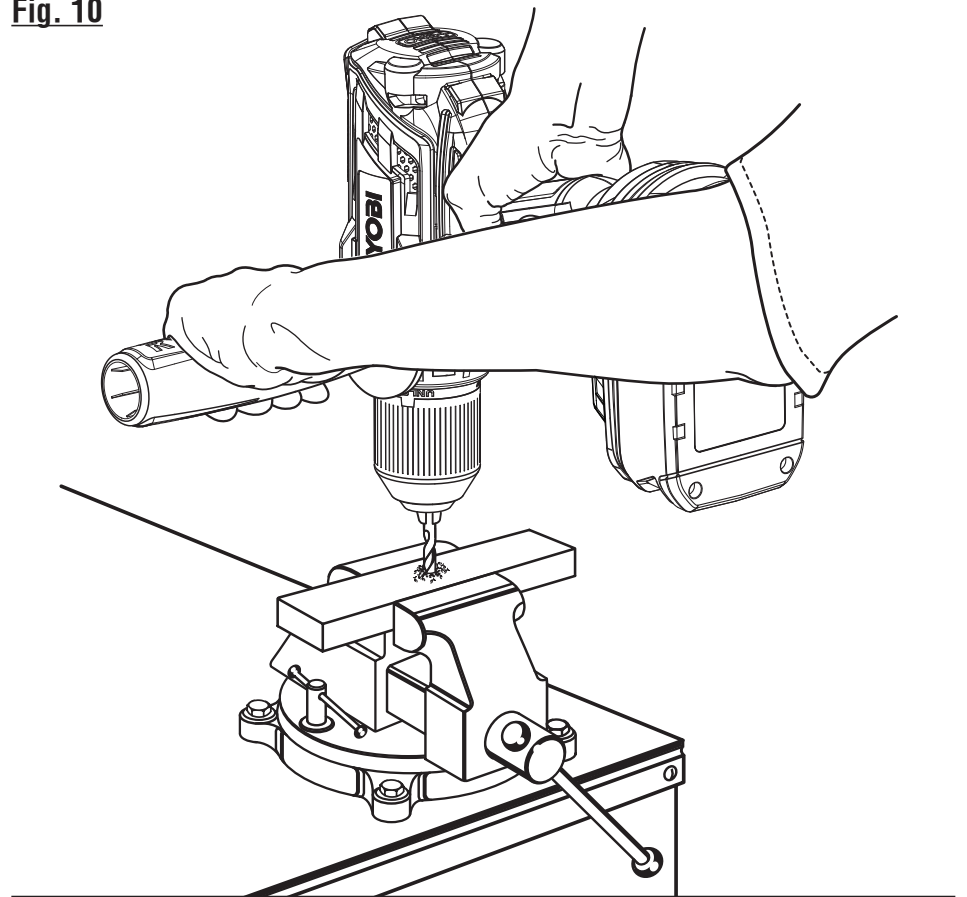
- A - Two-speed gear train (high [2]–low [1]) [train d'engrenages à deux vitesses (haute [2] et basse [1]), engranaje de dos velocidades (alta [2] y baja [1])]
- B - Low speed (basse vitesse, velocidad baja)
- C - High speed (haute vitesse, velocidad alta)

**Fig. 8**



- A - Quick mode selector (sélecteur de mode rapide, selector de modo rápido)
- B - Drive mode (mode de vissage, modo de atornillado)
- C - Drill mode, (torque adjustment not active) [mode de perçage (réglage de couple désactive), modo de taladrado (ajuste de fuerza de torsion inactivo)]
- D - Hammer mode (torque adjustment not active) [mode de percussion (réglage de couple désactive), modo de percusión (ajuste de fuerza de torsion inactivo)]

**Fig. 10**





**OPERATOR'S MANUAL 18 VOLT BRUSHLESS HAMMER DRILL**  
**MANUEL D'UTILISATION / PERCEUSE À PERCUSSION SANS BALAI DE 18 V**  
**MANUAL DEL OPERADOR / TALADRO DE PERCUSIÓN SIN ESCOBILLAS DE 18 V**  
**P251**

To request service, purchase replacement parts,  
locate an Authorized Service Center and obtain Customer or Technical Support:

Visit **www.ryobitools.com** or call **1-800-525-2579**

If any parts or accessories are damaged or missing,  
do not return this product to the store. Call **1-800-525-2579** for immediate service.

Please obtain your model and serial number from the product data plate.  
**This product is covered under a 3-year limited Warranty. Proof of purchase is required.**

MODEL NUMBER \_\_\_\_\_ SERIAL NUMBER \_\_\_\_\_

RYOBI is a registered trademark of Ryobi Limited and is used pursuant to a license granted by Ryobi Limited.

Pour faire une demande de réparations ou obtenir des pièces de rechange, trouver un  
Centre de réparations agréé pour obtenir un soutien technique ou le Service à la clientèle :

Visiter **www.ryobitools.com** ou en téléphonant au **1-800-525-2579**

Si des pièces ou accessoires sont manquantes ou endommagées, ne pas retourner  
ce produit au magasin. Appeler immédiatement au **1-800-525-2579** pour obtenir de l'aide.

Inscrire les numéros de modèle et de série inscrits sur la plaque d'identification du produit.  
**Ce produit est couvert par une garantie limitée de trois (3) ans. Une preuve d'achat est exigée.**

NUMÉRO DE MODÈLE \_\_\_\_\_ NUMÉRO DE SÉRIE \_\_\_\_\_

RYOBI est une marque déposée de Ryobi Limited et est utilisée en vertu d'une licence accordée par Ryobi Limited.

Para obtener servicio, comprar piezas de repuesto, localizar un centro de servicio autorizado  
y obtener Servicio o Asistencia Técnica al Consumidor:

Visite **www.ryobitools.com** (en la EE.UU.) o **www.ryobitools.mx** (en México)  
o llame al **1-800-525-2579** (en la EE.UU.) o **01-800-843-1111** (en México).

Si hay alguna pieza o accesorios dañada o faltante, no devuelva este producto a la tienda.  
Llame al **1-800-525-2579** (en la EE.UU.) o **01-800-843-1111** (en México) para servicio técnico inmediato.

Obtenga su modelo y número de serie de la placa de datos del producto.  
**Este producto está cubierto con una garantía limitada de 3 años. Se solicita prueba de la compra.**

NÚMERO DE MODELO \_\_\_\_\_ NÚMERO DE SERIE \_\_\_\_\_

RYOBI es una marca registrada de Ryobi Limited y se utiliza conforme a una licencia otorgada por Ryobi Limited.

**ONE WORLD TECHNOLOGIES, INC.**

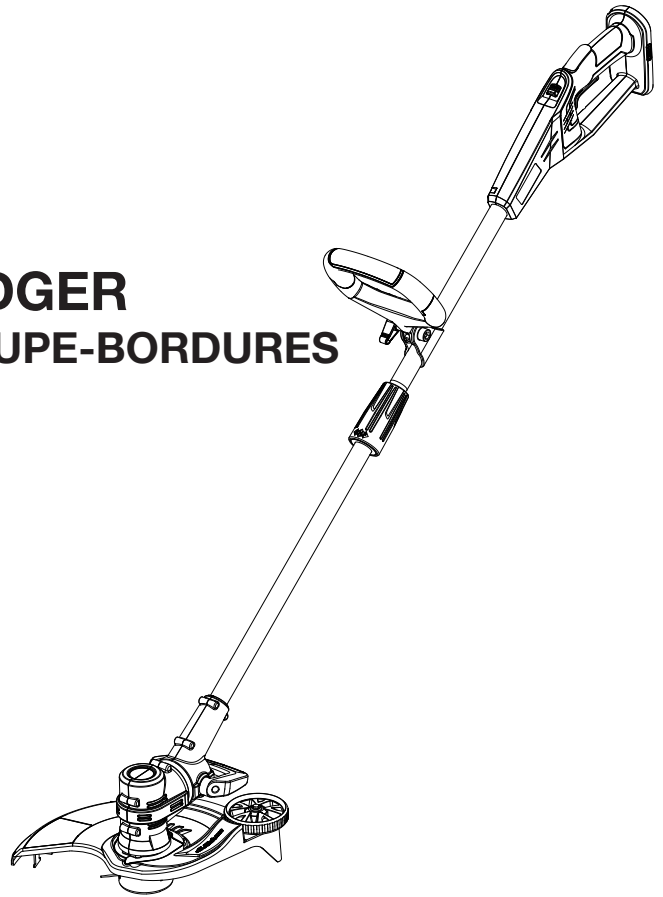
1428 Pearman Dairy Road, Anderson, SC 29625 • Phone 1-800-525-2579  
États-Unis, Téléphone 1-800-525-2579 • USA, Teléfono 1-800-525-2579

**www.ryobitools.com**



**REGISTER YOUR TOOLS**  
<http://register.ryobitools.com>  
 1-800-860-4050

**OPERATOR'S MANUAL**  
**MANUEL D'UTILISATION**  
**MANUAL DEL OPERADOR**  
**18 VOLT STRING TRIMMER/EDGER**  
**18 V TAILLE-BORDURES À LIGNE/COUPE-BORDURES**  
**18 V RECORTADORA DE HILO/**  
**RECORTADORA DE BORDES**  
**P2008**



**TABLE OF CONTENTS**

- Important Safety Instructions..... 2-3
- Symbols ..... 4
- Features ..... 5
- Assembly ..... 5-6
- Operation ..... 7-8
- Maintenance ..... 9-10
- Troubleshooting ..... 10
- Parts Ordering/Service..... Back Page

**TABLE DES MATIÈRES**

- Instructions importantes concernant la sécurité ..... 2-4
- Symboles ..... 5
- Caractéristiques ..... 6
- Assemblage ..... 6-7
- Utilisation ..... 8-9
- Entretien ..... 10-11
- Dépannage..... 11
- Commande de pièces/ réparation ..... Page arrière

**ÍNDICE DE CONTENIDO**

- Instrucciones de seguridad importantes ..... 2-4
- Símbolos ..... 5
- Características ..... 6
- Armado ..... 6-7
- Funcionamiento ..... 8-9
- Mantenimiento ..... 10-11
- Corrección de problemas ..... 11
- Pedidos de piezas/ servicio ..... Pág. posterior

**⚠ WARNING:** To reduce the risk of injury, the user must read and understand the operator's manual before using this product.

**⚠ AVERTISSEMENT :** Pour réduire les risques de blessures, l'utilisateur doit lire et veiller à bien comprendre le manuel d'utilisation avant d'employer ce produit.

**⚠ ADVERTENCIA:** Para reducir el riesgo de lesiones, el usuario debe leer y comprender el manual del operador antes de usar este producto.

**SAVE THIS MANUAL FOR FUTURE REFERENCE**

**CONSERVER CE MANUEL POUR FUTURE RÉFÉRENCE**

**GUARDE ESTE MANUAL PARA FUTURAS CONSULTAS**

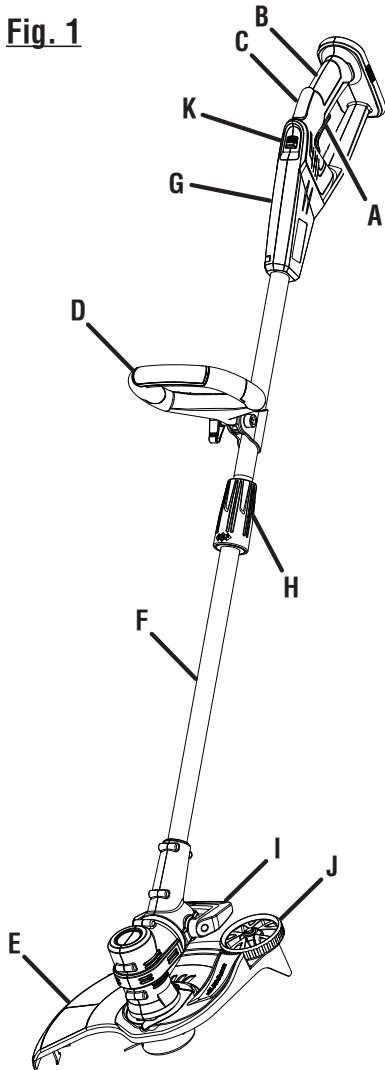


See this fold-out section for all the figures referenced in the operator's manual.

Voir que cette section d'encart pour toutes les figures a adressé dans le manuel d'utilisation.

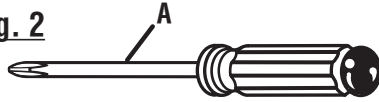
Vea esta sección de la página desplegable para todas las figuras mencionó en el manual del operador.

**Fig. 1**



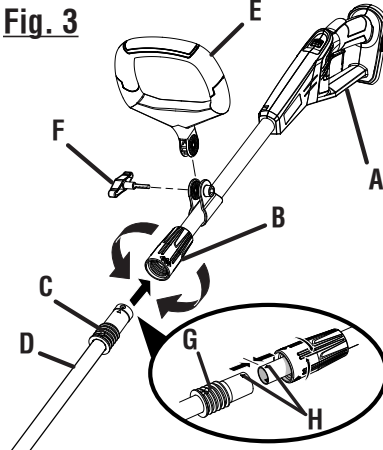
- A - Switch trigger (gâchette, gatillo del interruptor)
- B - Handle overmold (surmoulage de poignée, mangos sobremoldeado)
- C - Lock-out button (bouton de verrouillage, botón de seguro de seguro)
- D - Adjustable front handle (poignée avant réglable, mango delantero ajustable)
- E - Grass deflector (déflecteur d'herbe, deflector de hierba)
- F - Trimmer shaft (arbre du taille-bordures, eje de la recortadora)
- G - Power head (bloc moteur, cabezal motor)
- H - Coupler (coupleur, acoplador)
- I - Foot pedal (pédale de pied, pedal de pie)
- J - Edger wheel (roue de coupe-bordures, rueda de recortadora de bordes)
- K - Speed switch (interrupteur de vitesse, interruptor de velocidad)

**Fig. 2**



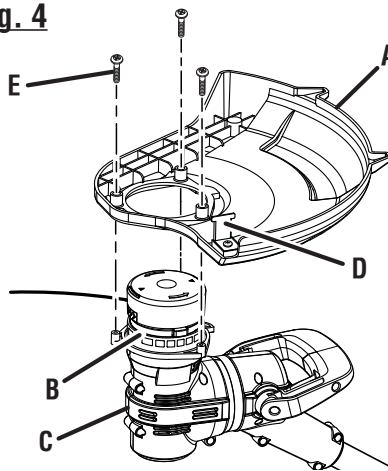
- A - Phillips screwdriver (tournevis phillips, destornillador phillips)

**Fig. 3**



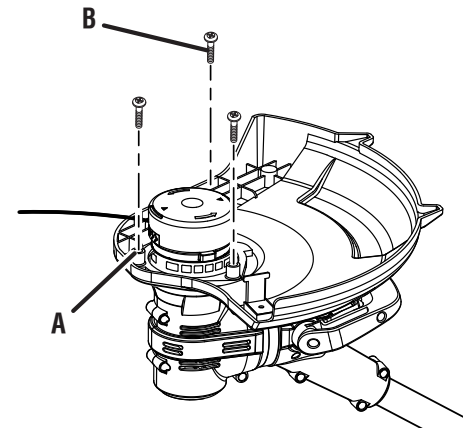
- A - Power head (bloc moteur, cabezal motor)
- B - Coupler (coupleur, acoplador)
- C - Attachment threaded base and plug (base fileté et bouchon, base roscada y tapón)
- D - Trimmer shaft (arbre du taille-bordures, eje de la recortadora)
- E - Front handle (poignée avant, mango delantero)
- F - Wing bolt (boulon à oreilles, perno de mariposa)
- G - Base (base, base)
- H - Arrow (flèche, flecha)

**Fig. 4**



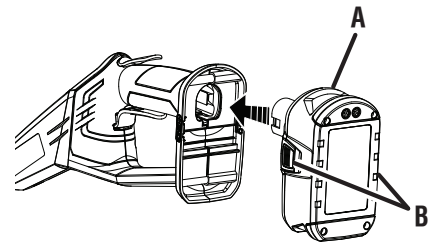
- A - Grass deflector (déflecteur d'herbe, deflector de hierba)
- B - String head (tête de ligne, cabezal del línea)
- C - Motor housing (boîtier du moteur, alojamiento del motor)
- D - Line cut-off blade (lame de sectionnement de ligne, cuchilla de corte del hilo)
- E - Screws (vis, tornillos)

**Fig. 5**



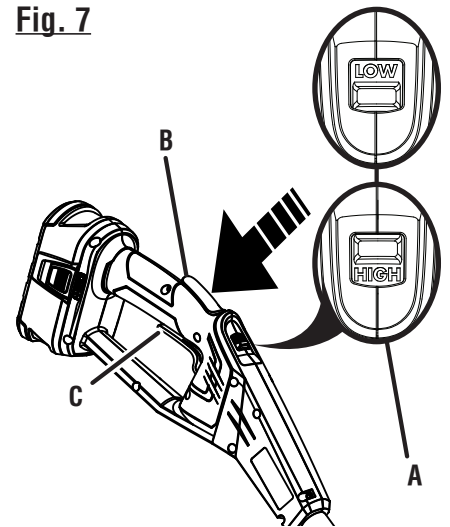
- A - Screw holes (orifices de las vis, agujeros del tornillo)
- B - Screws (vis, tornillos)

**Fig. 6**



- A - Battery pack (bloc-piles, paquete de baterías)
- B - Latch (loquet, pestillo)

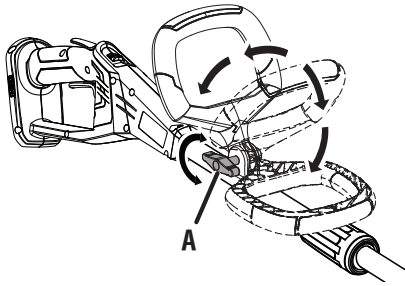
**Fig. 7**



- A - Speed switch (interrupteur de vitesse, interruptor de velocidad)
- B - Lock-out button (bouton de verrouillage, botón de seguro de seguro)
- C - Switch trigger (gâchette, gatillo del interruptor)



**Fig. 8**



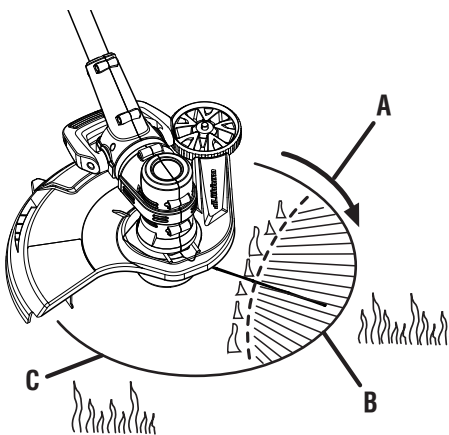
A - Knob (bouton, perilla)

**Fig. 9**

**PROPER TRIMMER OPERATING POSITION  
TAILLE-BORDURE POSITION DE TRAVAIL  
POSICIÓN CORRECTA PARA EL MANEJO  
PARA RECORTAR**

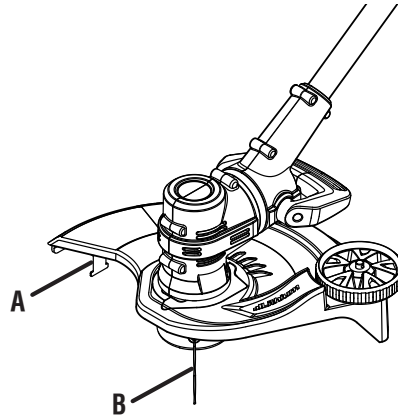


**Fig. 10**



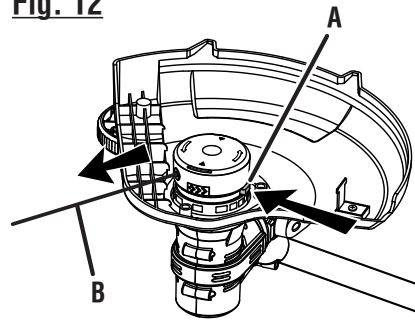
A - Direction of rotation (sens de rotation, sentido de la rotación)  
B - Best cutting area (d'efficacité, área de corte óptima)  
C - Dangerous cutting area (zone de coup dangereuse, área de corte peligrosa)

**Fig. 11**



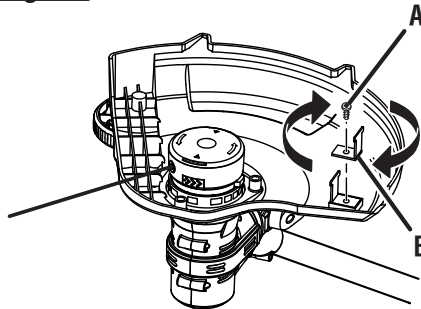
A - Line cut-off blade (lame coupe-ligne, cuchilla de corte)  
B - Line (ligne, línea)

**Fig. 12**



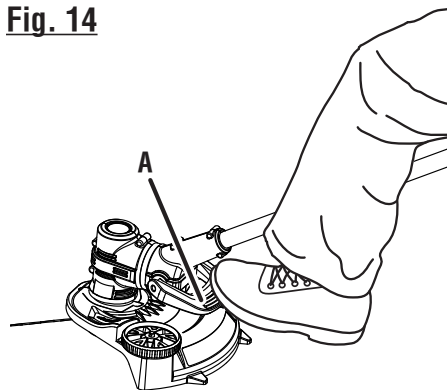
A - Black button (bouton noir, botón negro)  
B - Line (ligne, línea)

**Fig. 13**



A - Screw (vis, tornillo)  
B - Line cut-off blade (lame coupe-ligne, cuchilla de corte)

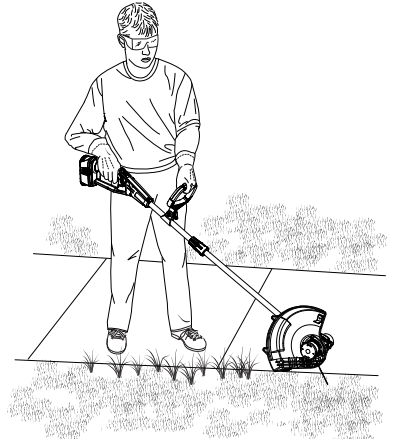
**Fig. 14**



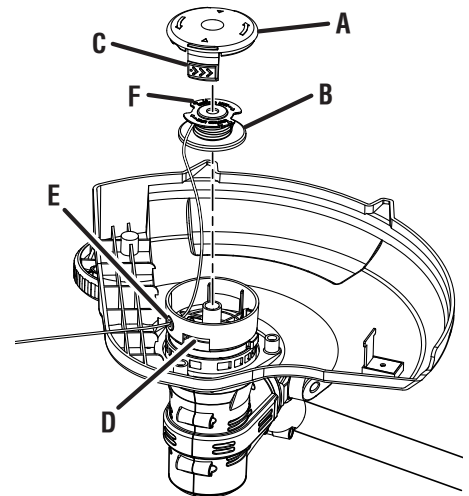
A - Foot pedal (pédale de pied, pedal de pie)

**Fig. 15**

**PROPER EDGING OPERATING POSITION  
POSITION D'UTILISATION CORRECTE  
POUR COUPE-BORDURES  
POSICIÓN CORRECTA PARA EL MANEJO  
DE LA CORTAR BORDES**



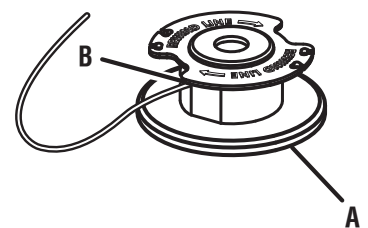
**Fig. 16**



A - Spool retainer (retenue de bobine, retén del carrete)  
B - Spool (bobine, carrete)  
C - Tabs (languettes, pestañas)  
D - Slot (fente, ranura)  
E - Eyelet (trou, agujero)  
F - Slot (fente, ranura)

**Fig. 17**

**WIND CLOCKWISE  
ENROULER DANS LE SENS HORAIRE  
ENROLLE HACIA LA DERECHA**



A - Spool (bobine, carrete)  
B - Hole (trou, agujero)

# IMPORTANT SAFETY INSTRUCTIONS



## WARNING!

When using electric gardening appliances, basic safety precautions should always be followed to reduce the risk of fire, electric shock and personal injury.

## READ ALL INSTRUCTIONS




- For safe operation, read and understand all instructions before using this product. Follow all safety instructions. Failure to follow all safety instructions listed below, can result in serious personal injury.
- Do not allow children or untrained individuals to use this unit.
- Check the work area before each use. Remove all objects such as rocks, broken glass, nails, wire, or string which can be thrown or become entangled in the machine.
- Always wear eye protection with side shields marked to comply with ANSI Z87.1. Following this rule will reduce the risk of serious personal injury.
- Use Safety Glasses – Wear a face or dust mask if the operation is dusty. Always wear safety glasses with side shields. Everyday glasses have only impact resistant lenses. They are NOT safety glasses. Following this rule will reduce the risk of eye injury.
- Protect your lungs. Wear a face or dust mask if the operation is dusty. Following this rule will reduce the risk of serious personal injury.
- Dress Properly – Do not wear loose clothing or jewelry. They can be caught in moving parts. Use of rubber gloves and substantial footwear is recommended when working outdoors. Wear heavy, long pants, long sleeves, boots, and gloves. Do not wear short pants, sandals, or go barefoot. Do not wear jewelry of any kind.
- Secure long hair above shoulder level to prevent entanglement in moving parts.
- Keep children away – Keep all bystanders, children, and pets at least 50 ft. away.
- Stay alert – Watch what you are doing. Use common sense. Do not operate this unit when you are tired, ill, or under the influence of alcohol, drugs, or medication.
- Do not operate in poor lighting.
- Keep all parts of your body away from any moving part.
- Do not operate power tools in explosive atmospheres, such as in the presence of flammable liquids, gases, or dust. Power tools create sparks which may ignite the dust or fumes.
- Avoid body contact with grounded surfaces such as pipes, radiators, ranges, and refrigerators. There is an increased risk of electric shock if your body is grounded.
- Avoid Dangerous Environments – Don't expose appliance or string trimmer to rain or wet conditions. Water entering an appliance or string trimmer will increase the risk of electric shock.
- Use Right Appliance – Do not force tool. Use the correct tool for your application. The correct tool will do the job better and safer at the rate for which it is designed.
- Don't Force Appliance – It will do the job better and with less likelihood of a risk of injury at the rate for which it was designed.
- Do not operate the equipment while barefoot or when wearing sandals or similar lightweight footwear. Wear protective footwear that will protect your feet and improve your footing on slippery surfaces.
- Do not overreach – Keep firm footing and balance. Overreaching can result in loss of balance.
- Avoid accidental starting – Be sure switch trigger is in the locked or off position before inserting battery pack. Carrying tools with your finger on the switch trigger or inserting the battery pack into a tool with the switch on invites accidents.
- Do not use tool if switch trigger does not turn it on or off. Any tool that cannot be controlled with the switch trigger is dangerous and must be repaired.
- Disconnect battery pack – Disconnect battery pack from the appliance before servicing or changing accessories such as cutting line. Such preventive safety measures reduce the risk of starting the tool accidentally.
- Use only identical manufacturer's replacement parts and accessories. Use of any other parts may create a hazard or cause product damage.
- Maintain appliance with care – Replace string head if cracked, chipped, or damaged in any way. Be sure the string head is properly installed and securely fastened. Failure to do so can cause serious injury. Keep handles dry, clean and free from oil and grease.
- Check for damaged parts – Before further use of the tool, any part that is damaged should be carefully checked to determine that it will operate properly and perform its intended function. Check for alignment of moving parts, binding of moving parts, breakage of parts, mounting, and any other conditions that may affect its operation. A guard or other part that is damaged should be properly repaired or replaced by an authorized service dealer.
- Make sure all guards, straps, deflectors and handles are properly and securely attached.

# IMPORTANT SAFETY INSTRUCTIONS










- Use only the manufacturer's replacement line in the cutting head. Do not use any other cutting attachment, for example, metal wire, rope, or the like. To install any other brand of cutting head to this string trimmer can result in serious personal injury.
- Never operate unit without the grass deflector in place and in good condition.
- Maintain a firm grip on both handles while trimming. Keep string head below waist level. Never cut with the string head located over 30 in. or more above the ground.
- Store idle appliances indoors – When not in use, string trimmer should be stored indoors in a dry, locked place out of the reach of children.
- Never use blades, flailing devices, wire or rope. Unit is designed for line trimmer use only. Use of any other accessories or attachments will increase the risk of injury.
- Inspect area to be cut. Remove objects (rocks, broken glass, nails, wire, string, etc.) which can be thrown or become entangled in cutting head.
- Keep the air vents clean and free of debris to avoid overheating the motor. Clean after each use.
- Stop the unit and disconnect the power source when not in use. Carry the unit with the motor stopped.
- Store out of the reach of children.
- Do not hang unit so that the switch trigger is depressed.
- Battery tools do not have to be plugged into an electrical outlet; therefore, they are always in operating condition. Be aware of possible hazards when not using your battery tool or when changing accessories. Always engage the lock-out lever before placing the trimmer on the wall-mounted charger. Following this rule will reduce the risk of electric shock, fire, or serious personal injury.
- Under abusive conditions, liquid may be ejected from the battery; avoid contact. If contact accidentally occurs, flush with water. If liquid contacts eyes, additionally seek medical help. Liquid ejected from the battery may cause irritation or burns.
- Do not use a battery pack or appliance that is damaged or modified. Damaged or modified batteries may exhibit unpredictable behavior resulting in fire, explosion or risk of injury.
- Do not expose a battery pack or appliance to fire or excessive temperature. Exposure to fire or temperature above 265°F may cause explosion.
- Do not charge battery tool in rain, or damp or wet location. Following this rule will reduce the risk of electric shock.
- Do not use battery-operated appliance in rain.
- Remove or disconnect battery when not charging, and before servicing, cleaning, removing material from the gardening appliance, or storing.
- Use this product only with batteries and chargers listed in tool/appliance/battery pack/charger correlation supplement 987000-432.
- Do not dispose of the batteries in a fire. The cell may explode. Check with local codes for possible special disposal instructions.
- Do not open or mutilate the batteries. Released electrolyte is corrosive and may cause damage to the eyes or skin. It may be toxic if swallowed.
- Do not place battery tools or their batteries near fire or heat. This will reduce the risk of explosion and possibly injury.
- Batteries can explode in the presence of a source of ignition, such as a pilot light. To reduce the risk of serious personal injury, never use any cordless product in the presence of open flame. An exploded battery can propel debris and chemicals. If exposed, flush with water immediately.
- Do not crush, drop or damage battery pack. Do not use a battery pack or charger that has been dropped or received a sharp blow. A damaged battery is subject to explosion. Properly dispose of a dropped or damaged battery immediately.
- For best results, your battery tool should be charged in a location where the temperature is more than 50°F but less than 100°F. To reduce the risk of serious personal injury, do not store outside or in vehicles.
- Under extreme usage or temperature conditions, battery leakage may occur. If liquid comes in contact with your skin, wash immediately with soap and water. If liquid gets into your eyes, flush them with clean water for at least 10 minutes, then seek immediate medical attention. Following this rule will reduce the risk of serious personal injury.
- Save these instructions. Refer to them frequently and use them to instruct others who may use this power tool. If you loan someone this power tool, loan them these instructions also.

# SYMBOLS

The following signal words and meanings are intended to explain the levels of risk associated with this product.

SYMBOL	SIGNAL	MEANING
	<b>DANGER:</b>	Indicates a hazardous situation, which, if not avoided, will result in death or serious injury.
	<b>WARNING:</b>	Indicates a hazardous situation, which, if not avoided, could result in death or serious injury.
	<b>CAUTION:</b>	Indicates a hazardous situation, that, if not avoided, may result in minor or moderate injury.
	<b>NOTICE:</b>	(Without Safety Alert Symbol) Indicates information considered important, but not related to a potential injury (e.g. messages relating to property damage).

Some of the following symbols may be used on this product. Please study them and learn their meaning. Proper interpretation of these symbols will allow you to operate the product better and safer.

SYMBOL	NAME	DESIGNATION/EXPLANATION
	Safety Alert	Indicates a potential personal injury hazard.
	Read Operator's Manual	To reduce the risk of injury, user must read and understand operator's manual before using this product.
	Eye Protection	Always wear eye protection with side shields marked to comply with ANSI Z87.1.
	Wet Conditions Alert	Do not expose to rain or use in damp locations.
	Keep Bystanders Away	Keep all bystanders at least 50 ft. away.
	Ricochet	Thrown objects can ricochet and result in personal injury or property damage.
	No Blade	Do not install or use any type of blade on a product displaying this symbol.
	Recycle Symbol	This product uses lithium-ion (Li-ion) batteries. Local, state, or federal laws may prohibit disposal of batteries in ordinary trash. Consult your local waste authority for information regarding available recycling and/or disposal options.
	Direct Current	Type or a characteristic of current
$n_0$	No Load Speed	Rotational speed, at no load
.../min	Per Minute	Revolutions, strokes, surface speed, orbits etc., per minute
V	Volts	Voltage
Hz	Hertz	Frequency (cycles per second)
min	Minutes	Time

# FEATURES

## PRODUCT SPECIFICATIONS

Motor..... 18 Volt DC  
Cutting Swath..... 11 in. / 13 in.

Line Size..... 0.065 in. diameter round or twisted or  
0.080 in. diameter twisted

## KNOW YOUR STRING TRIMMER/EDGER

See Figure 1.

The safe use of this product requires an understanding of the information on the tool and in this operator's manual as well as a knowledge of the project you are attempting. Before use of this product, familiarize yourself with all operating features and safety rules.

## ADJUSTABLE CUTTING DIAMETER

The cutting diameter is adjustable from 11 in. and 13 in. by rotating the line cutoff blade.

## ADJUSTABLE FRONT HANDLE

The front handle assembly can be adjusted for ease of operation and to help prevent loss of control.

## EDGER WHEEL

The edger wheel allows for more stable cutting performance while edging.

## GRASS DEFLECTOR

The trimmer includes a grass deflector that helps protect from flying debris.

## HANDLE OVERMOLD

Handle overmold provides added user comfort.

## LOCK-OUT BUTTON

The lock-out button prevents accidental starting.

## ROTATING TRIMMER HEAD

The rotating trimmer head can be locked in two different positions for ease of use when edging and trimming.

## SPEED SWITCH

This tool has a speed selector that allows the operator to choose between and HIGH and LOW speeds. Using low speed during operation can help extend battery run time, while using high speed will improve power and performance.

## VARIABLE SPEED SWITCH TRIGGER

This tool has a variable speed switch that delivers higher speed with increased trigger pressure. Speed is controlled by the amount of switch trigger depression.

# ASSEMBLY

## UNPACKING

This product requires assembly.

- Carefully remove the product and any accessories from the box. Make sure that all items listed in the packing list are included.

### **WARNING:**

Do not use this product if any parts on the Packing List are already assembled to your product when you unpack it. Parts on this list are not assembled to the product by the manufacturer and require customer installation. Use of a product that may have been improperly assembled could result in serious personal injury.

- Inspect the product carefully to make sure no breakage or damage occurred during shipping.
- Do not discard the packing material until you have carefully inspected and satisfactorily operated the product.

- If any parts are damaged or missing, please call 1-800-860-4050 for assistance.

## PACKING LIST

Power Head  
Adjustable Front Handle  
String Trimmer/Edger Attachment  
Grass Deflector  
Operator's Manual

### **WARNING:**

If any parts are damaged or missing do not operate this product until the parts are replaced. Use of this product with damaged or missing parts could result in serious personal injury.



# ASSEMBLY

## **WARNING:**

Do not attempt to modify this product or create accessories not recommended for use with this product. Any such alteration or modification is misuse and could result in a hazardous condition leading to possible serious personal injury.

## **WARNING:**

To prevent accidental starting that could cause serious personal injury, always remove the battery pack from the product when assembling parts.

## **TOOLS NEEDED**

See Figure 2.

The following tool (not included or drawn to scale) is needed for assembly:

- Phillips screwdriver

## **ATTACHING THE FRONT HANDLE**

See Figure 3.

- Loosen and remove the wing bolt from the handle.
- Install the handle on the rear handle pole in the area indicated by the illustration.
- Adjust handle up or down, if necessary, to desired operating position.
- Reinstall the wing bolt. Tighten wing bolt to secure.

## **CONNECTING THE POWER HEAD TO THE ATTACHMENT**

See Figure 3.

## **WARNING:**

Never install, remove, or adjust any attachment while power head is running or with the battery pack installed. Failure to stop the motor or remove the battery pack can result in serious personal injury.

The attachment connects to the power head by means of a coupler device.

- Remove the battery pack if installed.
- Align the arrows on the string trimmer/edger attachment and the power head. Insert the plug on the string trimmer/edger attachment into the opening on the power head coupler. Make sure the plug is fully seated.
- Slide the threaded coupler on the power head onto the threaded base on the attachment and turn the coupler clockwise. Tighten securely.

**NOTE:** Once assembled correctly, the string trimmer/edger attachment and power head should not separate when pulled. Repeat above steps if pieces can be separated.

## **WARNING:**

Failure to secure the string trimmer/edger attachment and power head as instructed above could result in serious personal injury.

## **REMOVING THE ATTACHMENT FROM THE POWER HEAD**

- Remove the battery pack.
- Turn the coupler counterclockwise to unlock. Then remove the trimmer shaft from the power head.

## **ATTACHING GRASS DEFLECTOR**

See Figures 4 - 5.

## **WARNING:**

The line cut-off blade on the grass deflector is sharp. Avoid contact with the blade. Failure to avoid contact can result in serious personal injury.

- Remove the battery pack.
- Remove the plastic hardware bag from the grass deflector.
- Fit the grass deflector into the slots on trimmer head.
- Line up the screw holes in the grass deflector with the holes in the motor housing.
- Install supplied screws and tighten by turning clockwise with a phillips screwdriver.

# OPERATION

## **WARNING:**

Do not allow familiarity with products to make you careless. Remember that a careless fraction of a second is sufficient to inflict serious injury.

## **WARNING:**

Always wear eye protection with side shields marked to comply with ANSI Z87.1. Failure to do so could result in objects being thrown into your eyes, resulting in possible serious injury.

## **WARNING:**

Never use blades, flailing devices, wire, or rope on this product. Do not use any attachments or accessories not recommended by the manufacturer of this product. The use of attachments or accessories not recommended can result in serious personal injury.

## **NOTICE:**

Before each use, inspect the entire product for damaged, missing, or loose parts such as screws, nuts, bolts, caps, etc. Tighten securely all fasteners and caps and do not operate this product until all missing or damaged parts are replaced. Please call 1-800-860-4050 or contact an authorized service center for assistance.

## **TO INSTALL BATTERY PACK**

See Figure 6.

## **WARNING:**

Always remove battery pack from your tool when you are assembling parts, making adjustments, cleaning, or when not in use. Removing battery pack will prevent accidental starting that could cause serious personal injury.

- Insert the battery pack into the product as shown.
- Make sure the latches on each side of the battery pack snap into place and the battery pack is secured before beginning operation.

## **TO REMOVE BATTERY PACK**

See Figure 6.

- Depress the latches on each side of the battery pack.
- Remove battery pack from the trimmer.

## **WARNING:**

To avoid serious personal injury, always remove the battery pack and keep hands clear of the lock-out button when carrying or transporting the tool.

For complete charging instructions, see the operator's manuals for your battery pack and charger.

## **STARTING/STOPPING THE STRING TRIMMER**

See Figure 7.

### **To start:**

- Select the desired operating speed (HIGH or LOW).
- Press and hold the lock-out button.
- Depress the switch trigger.

### **To stop:**

- Release the switch trigger to stop the string trimmer.
- Upon release of the switch trigger, the lock-out button will automatically reset to the locked position.

## **ADJUSTABLE FRONT HANDLE**

See Figure 8.

The angle of the front handle can be adjusted 180°.

- Remove the battery pack.
- Set the trimmer on a flat surface and turn the knob counterclockwise to loosen the handle.
- For trimming, adjust the handle upward.
- For edging, adjust the handle downward.
- Turn the knob clockwise until the handle is securely tightened before reinstalling the battery pack.

## **OPERATING THE TRIMMER**

See Figure 9.

### **Follow these tips when using the string trimmer:**

- Hold the trimmer with your right hand on the rear handle and your left hand on the front handle.
- Keep a firm grip with both hands while in operation.
- Trimmer should be held at a comfortable position with the rear handle about hip height.
- Cut tall grass from the top down. This will prevent grass from wrapping around the boom housing and string head which may cause damage from overheating.

# OPERATION

## If grass becomes wrapped around the string head:

- Remove the battery pack.
- Remove the grass.

### **WARNING:**

Always hold the string trimmer away from the body keeping clearance between the body and the string trimmer. Any contact with the string trimmer cutting head while operating can result in serious personal injury.

## CUTTING TIPS

See Figures 10 - 11.

- Keep the trimmer tilted toward the area being cut; this is the best cutting area.
- The string trimmer cuts when passing the unit from right to left. This will avoid throwing debris at the operator. Avoid cutting in the dangerous area shown in figure 10.
- Use the tip of the line to do the cutting; do not force string head into uncut grass.
- Wire and picket fences cause extra line wear, even breakage. Stone and brick walls, curbs, and wood may wear line rapidly.
- Avoid trees and shrubs. Tree bark, wood moldings, siding, and fence posts can easily be damaged by the line.

## ADVANCING LINE

**NOTE:** The trimmer is equipped with an auto-feed head. Bumping the head to try to advance the line will damage the trimmer and void the warranty.

- With the trimmer running, release the switch trigger.
- Wait two seconds, and press the switch trigger.

**NOTE:** The line will extend approximately 1/4 in. with each stop and start of the switch trigger until the line reaches the length of the grass deflector cut-off blade.

- Resume trimming.

## ADVANCING THE LINE MANUALLY

See Figure 12.

- Remove the battery pack.
- Push the black button located on the string head while pulling on line to manually advance the line.

## LINE CUT-OFF BLADE

See Figure 13.

This trimmer is equipped with a line cut-off blade on the grass deflector. For best cutting, advance line until it is trimmed to length by the line cut-off blade. Advance line whenever you hear the engine running faster than normal, or when trimming efficiency diminishes. This will maintain best performance and keep line long enough to advance properly.

This trimmer is currently set at the 11 in. cutting swath. To adjust to a cutting swath of 13 in.:

- Remove the battery pack.
- Loosen the blade screw then rotate the line cut-off blade 180°.
- Tighten the blade screw.

## EDGING

See Figures 14 - 15.

- Remove the battery pack.
- Step down on the foot pedal.
- Rotate the trimmer head counterclockwise placing the tool in the edger position.

### **WARNING:**

Always hold the string trimmer away from the body keeping clearance between the body and the string trimmer. Any contact with the string trimmer cutting head while operating can result in serious personal injury.

### **WARNING:**

Never stand directly in the path of the cutting line while edging. Always stand to the left of the grass deflector to avoid thrown debris, which could result in serious personal injury.

# MAINTENANCE

## **WARNING:**

To avoid serious personal injury, always remove the battery pack from the tool when cleaning or performing any maintenance.

## **WARNING:**

Always wear eye protection with side shields marked to comply with ANSI Z87.1. Failure to do so could result in objects being thrown into your eyes, resulting in possible serious injury.

## **WARNING:**

When servicing, use only identical replacement parts. Use of any other parts can create a hazard or cause product damage.

## **NOTICE:**

Periodically inspect the entire product for damaged, missing, or loose parts such as screws, nuts, bolts, caps, etc. Tighten securely all fasteners and caps and do not operate this product until all missing or damaged parts are replaced. Please call 1-800-860-4050 or contact an authorized service center for assistance.

## **GENERAL MAINTENANCE**

Avoid using solvents when cleaning plastic parts. Most plastics are susceptible to damage from various types of commercial solvents and may be damaged by their use. Use clean cloths to remove dirt, dust, oil, grease, etc.

## **WARNING:**

Do not at any time let brake fluids, gasoline, petroleum-based products, penetrating oils, etc., come in contact with plastic parts. Chemicals can damage, weaken or destroy plastic which can result in serious personal injury.

## **SPOOL REPLACEMENT**

See Figure 16.

Use only 0.065 in. diameter round or twisted or 0.080 in. diameter twisted line. Use original manufacturer's replacement line for best performance.

- Remove the battery pack.
- Push in tabs on side of spool retainer.
- Pull spool retainer up to remove.
- Remove the old spool.
- To install the new spool, make sure the line is captured in the slot on the new spool. Make sure the end of the line is extended approximately 6 in. beyond the slot.
- Install the new spool so that the line and slot align with the eyelet in the string head. Thread the line into the eyelet.
- Pull the line extending from the string head so the line releases from the slot in the spool.
- Reinstall the spool retainer by depressing tabs into slots and pushing down until spool retainer clicks into place.

## **LINE REPLACEMENT**

See Figures 16 - 17.

- Remove the battery pack.
- Remove the spool from the string head.  
**NOTE:** Remove any old line remaining on the spool.
- Cut a piece of line approximately 9 ft. long. Use only 0.065 in. diameter round or twisted or 0.080 in. diameter twisted line.
- Insert the line into the anchor hole in the upper part of the spool. Wind the line around the upper part of the spool clockwise, as shown by the arrows on the spool. Place line in the slot on upper spool flange, leaving about 6 in. extended beyond the slot. Do not overfill. After winding the line, there should be at least 1/4 in. between the wound line and the outside edge of the spool.
- Replace the plastic retainer, spool, and the spool retainer. Refer to **Spool Replacement** earlier in this manual.

# MAINTENANCE

## STORING THE TRIMMER

- Remove the battery pack from the string trimmer before storing.
- Clean all foreign material from the trimmer.
- Store it in a place that is inaccessible to children.
- Keep away from corrosive agents such as garden chemicals and de-icing salts.

## REPLACEMENT PARTS

Replacement Spool Part Number ..... AC14RSLA  
 Replacement Spool Cap Part Number.....AC14HCA

# TROUBLESHOOTING

PROBLEM	POSSIBLE CAUSE	SOLUTION
Line will not advance when using the auto-feed head	Line is welded to itself.	Lubricate with silicone spray.
	Not enough line on spool.	Install more line. Refer to <b>Line Replacement</b> earlier in this manual.
	Line is worn too short.	Pull line while pressing button.
	Line is tangled on spool.	Remove line from spool and rewind. Refer to <b>Line Replacement</b> earlier in this manual.
Grass wraps around boom housing and string head	Cutting tall grass at ground level.	Cut tall grass from the top down to prevent wrapping.
Motor fails to start when switch trigger is depressed	Battery is not secure.	To secure the battery pack, make sure the latch on the bottom of the battery pack is snapped into place.
	Battery is not charged.	Charge the battery pack according to the instructions included with your model.
	Shaft not connected completely.	Make sure shaft trimmer is securely seated in the coupler on the power head.



## CALL US FIRST

For any questions about operating or maintaining your product, call the Ryobi Help Line!

Your product has been fully tested prior to shipment to ensure your complete satisfaction.

**This product has a Three-year Limited Warranty for personal, family, or household use (90 days for business or commercial use). For warranty details, visit [www.ryobitools.com](http://www.ryobitools.com) or call (toll free) 1-800-860-4050.**



# INSTRUCTIONS IMPORTANTES CONCERNANT LA SÉCURITÉ



## AVERTISSEMENT !

Lors de l'utilisation d'outils de jardinage, toujours suivre les consignes de sécurité de base pour éviter les risques d'incendie, d'électrocution et de blessures.

## LIRE TOUTES LES INSTRUCTIONS

- Pour travailler en toute sécurité, lire et veiller à bien comprendre toutes les instructions avant d'utiliser ce produit. Respecter toutes les instructions de sécurité. Le non respect des instructions de sécurité ci-dessous peut entraîner des blessures graves.
- Ne pas laisser des enfants ou personnes n'ayant pas reçu une formation adéquate utiliser cet produit.
- Débayer la zone de travail avant chaque utilisation. La débarrasser de tous les objets tels que cailloux, verre brisé, clous, fils métalliques, cordes, etc. risquant d'être projetés ou de se prendre dans la ligne de coupe ou la lame.
- Toujours porter une protection oculaire avec écrans latéraux certifiée conforme à la norme ANSI Z87.1 lors de l'utilisation de ce produit. Le respect de cette règle réduira les risques de blessures graves.
- Porter des lunettes de sécurité – Porter un masque facial ou un masque antipoussière si le travail produit de la poussière. Toujours porter des lunettes de sécurité avec écrans latéraux. Les lunettes de vue ordinaires sont munies seulement de verres résistants aux impacts. Ce ne sont PAS des lunettes de sécurité. Le respect de cette règle réduira les risques de lésions oculaires.
- Protection respiratoire. Porter un masque facial ou un masque antipoussière si le travail produit de la poussière. Le respect de cette consigne réduira les risques de blessures graves.
- Porter des vêtements appropriés – Ne porter ni vêtements amples, ni bijoux. Ils peuvent être pris dans les parties en mouvement. On recommande d'utiliser des gants de caoutchouc et des chaussures solides pour le travail à l'extérieur. Porter des pantalons longs, manches longue, des chaussures et des gants épais. Ne pas porter de shorts, sandales et ne pas travailler pieds nus. Ne porter aucun bijou.
- Attacher les cheveux longs pour les maintenir au-dessus des épaules, afin qu'ils ne se prennent pas dans les pièces en mouvement.
- Tenir les enfants éloignés – Ranger les appareils qui ne sont pas utilisés – Garder les badauds, enfants et animaux à une distance de 15 m (50 pi) minimum.
- Rester alerte – Se concentrer sur son travail et faire preuve de bon sens. Ne pas utiliser ce taille-bordures en état de fatigue, si l'on est souffrant ou sous l'influence de l'alcool, de drogues ou de médicaments.
- Ne pas travailler sous un éclairage insuffisant.
- Garder toutes les parties du corps à l'écart des pièces en mouvement.
- Ne pas utiliser d'outils électriques dans des atmosphères explosives, par exemple en présence de liquides, gaz ou poussières inflammables. Les outils électriques produisent des étincelles risquant d'enflammer les poussières ou vapeurs.
- Éviter tout contact du corps avec des surfaces mises à la terre, telles que tuyaux, radiateurs, cuisinières et réfrigérateurs. Le risque de choc électrique est accru lorsque le corps est mis à la terre.
- Éviter les environnements dangereux – Ne pas exposer le appareil ou outil à la pluie ou l'humidité. La pénétration d'eau dans ces outils accroît le risque de choc électrique.
- Utiliser les appareils appropriés – Ne pas forcer l'produit. Utiliser un produit approprié pour le travail. Un produit approprié exécutera le travail mieux et de façon moins dangereuse s'il fonctionne dans les limites prévues.
- Ne pas forcer appareil – Un produit approprié exécutera le travail mieux et de façon moins dangereuse s'il fonctionne dans les limites prévues.
- Ne pas faire fonctionner l'équipement pied-nu ou en portant des sandales ou des chaussures légères similaires. Porter des chaussures de protection qui protègent vos pieds et améliorent votre équilibre sur des surfaces glissantes.
- Ne pas exagérer en se courbant ou en s'étirant – Se tenir bien campé et en équilibre. Cette façon de travailler pourrait vous faire perdre l'équilibre.
- Éviter les démarrages accidentels – S'assurer que la gâchette est verrouillée en position d'arrêt avant d'insérer le bloc-piles. Le transport d'outils avec le doigt sur le commutateur ou l'insertion du bloc-piles avec le commutateur en position de marche est une invite aux accidents.
- Ne pas utiliser l'produit si le commutateur ne permet pas de le mettre en marche et de l'arrêter. Tout produit qui ne peut pas être contrôlé par son commutateur est dangereux et doit être réparé.
- Débrancher le bloc-piles – Débrancher le bloc-piles de l'appareil avant d'effectuer l'entretien ou de changer d'accessoire comme la ligne de coupe. Ces mesures de sécurité réduisent les risques de démarrage accidentel de l'outil.

# INSTRUCTIONS IMPORTANTES CONCERNANT LA SÉCURITÉ




- Utiliser exclusivement des pièces de rechange et accessoire d'origine. L'usage de toute autre pièce pourrait créer une situation dangereuse ou endommager l'appareil.
- Assurer un entretien soigneux de l'appareil – Si la tête de coupe est fendue, brisée ou endommagée de quelque façon que ce soit, la remplacer. S'assurer que la tête de coupe ou la lame est correctement installée et solidement assujettie. S'il ne le sont pas, l'opérateur court des risques de blessures graves. Garder l'outil et sa poignée secs, propres et exempts d'huile ou de graisse.
- Vérifier les pièces endommagées – Quand un protecteur ou une autre pièce a été endommagé(e), vérifier, avant de continuer à utiliser l'outil, si cette pièce pourra encore fonctionner normalement et remplir son rôle. Vérifier l'alignement des pièces mobiles, détecter les pièces mobiles grippées ou les pièces rompues, un assemblage déficient ou toute autre condition pouvant affecter la sécurité d'utilisation. Un protecteur ou une autre pièce endommagé(e) doit être réparé convenablement ou remplacé par un centre d'entretien agréé afin d'éviter des blessures corporelles.
- S'assurer que tous les dispositifs de protection, sangles, déflecteurs et poignées sont correctement installés et solidement assujettis.
- Utiliser exclusivement des lignes de coupe d'origine. Ne pas utiliser un autre accessoire de coupe, tel que fil métallique, corde, ou autre. L'utilisation d'une tête de coupe d'autre marque sur cette tondeuse à fouet peut entraîner des blessures graves.
- Ne jamais utiliser l'appareil si le protecteur n'est pas en place et en bon état.
- Tenir fermement les deux poignées pendant le travail. Tenir la tête de coupe au-dessous du niveau de la taille. Ne jamais tailler avec la tête de coupe à plus de 762 mm (30 po) du sol.
- Entreposer les outils à l'intérieur – Quand pas dans l'usage, tondeuse à fouet devrait être emmagasiné à la maison dans un sec, fermé à clef la remettre dans un endroit inaccessible aux enfants.
- Ne jamais utiliser de lames ou de dispositifs à fléau, fil et cordes. L'unité est conçue pour être utilisée exclusivement avec un taille bordures à fil. Le fait d'utiliser l'appareil avec tout autre accessoire ou dispositif fait augmenter le risque de blessures.
- Examiner la surface à tondre. Retirer tous les objets (roches, verre brisé, clous, câble, corde etc.) qui peuvent être projetés dans les airs ou qui peuvent s'emmêler dans la tête de coupe.
- S'assurer que les événements d'aération sont propres et exempts de débris afin d'éviter que le moteur ne surchauffe. Les nettoyer après chaque utilisation.
- Arrêter l'appareil et le débrancher de la source d'alimentation lorsqu'il n'est pas utilisé. Attendre l'arrêt complet du moteur avant de déplacer l'appareil.
- Ranger l'appareil en s'assurant qu'il est débranché et qu'il est hors de la portée des enfants.
- Ne pas suspendre l'appareil d'une façon qui enclencherait la gâchette.
- Les outils fonctionnant sur piles n'ayant pas besoin d'être branchés sur une prise de courant, ils sont toujours en état de fonctionnement. Tenir compte des dangers possibles lorsque l'appareil n'est pas en usage et lors du remplacement des piles. Toujours enclencher le levier de blocage avant d'installer le taille-bordures sur le chargeur monté au mur. Le respect de cette consigne réduira les risques d'incendie, de choc électrique et de blessures graves.
- En cas d'usage abusif, du liquide peut s'échapper des batteries. Éviter tout contact avec ce liquide. En cas de contact accidentel, rincer immédiatement les parties atteintes avec de l'eau. Si le liquide pénètre dans vos yeux, il faut aussi consulter un médecin. Le liquide s'échappant des batteries peut causer des irritations ou des brûlures.
- Ne pas utiliser un bloc-piles ou un appareil endommagé ou modifié. Les piles endommagées ou modifiées peuvent produire un comportement imprévisible pouvant provoquer un incendie, une explosion ou des blessures.
- Ne pas exposer le bloc-piles ou l'appareil près d'un incendie ou à une température extrême. L'exposition à un incendie ou à une température supérieure à 130 °C (265 °F) représente un risque d'explosion.
- Ne pas recharger un produit fonctionnant sur piles dans un endroit la pluie ou humide ou mouillé. Le respect de cette règle réduira les risques de choc électrique.
- Ne pas utiliser un appareil alimenté par pile sous la pluie.
- Retirer ou débrancher la pile pendant la pile n'est pas chargée et avant l'entretien, le nettoyage de l'appareil de jardin, d'en retirer des matériaux, ou pendant de le ranger.
- Utiliser ce produit seulement avec les piles et les chargeurs indiqués dans le supplément de raccordement pour chargeur/outils/piles/appareil n° 987000-432.
- Ne pas jeter les piles au feu. La cellule peut exploser. Vérifier les codes locaux pour connaître toute instruction spéciale relative à l'élimination des piles.
- Ne pas altérer le bloc-piles. L'électrolyte est un produit corrosif pouvant causer des lésions cutanées ou oculaires. Il peut être toxique en cas d'ingestion.
- Ne pas placer les outils électriques sans fil ou leurs piles à proximité de flammes ou d'une source de chaleur. Ceci réduira les risques d'explosion et de blessures.

## INSTRUCTIONS IMPORTANTES CONCERNANT LA SÉCURITÉ









- Les piles peuvent exploser en présence d'une source d'allumage, telle qu'une veilleuse. Pour réduire les risques de blessures graves, ne jamais utiliser un appareil sans fil, quel qu'il soit, en présence d'une flamme vive. En explosant, une pile peut projeter des débris et des produits chimiques. En cas d'exposition, rincer immédiatement les parties atteintes avec de l'eau.
- Ne pas écraser, faire tomber ou endommager le bloc-piles. Ne jamais utiliser un bloc-piles ou un chargeur qui est tombé, a été écrasé, a reçu un choc violent ou a été endommagé de quelque façon que ce soit. Une pile endommagée risque d'exploser. Éliminer immédiatement toute pile endommagée, selon une méthode appropriée.
- Pour un résultat optimal, les piles de l'produit doivent être rechargées dans un local où la température est de 10 à 38 °C (50 à 100 °F). Ne pas ranger l'produit à l'extérieur ou dans un véhicule.
- Si l'produit est utilisé de façon intensive ou sous des températures extrêmes, des fuites de pile peuvent se produire. En cas de contact du liquide avec la peau, rincez immédiatement la partie atteinte avec de l'eau savonneuse. En cas d'éclaboussure dans les yeux, rincez-les à l'eau fraîche pendant au moins 10 minutes, puis contactez immédiatement un médecin. Le respect de cette consigne réduira les risques de blessures graves.
- Conserver ces instructions. Les consulter fréquemment et les utiliser pour instruire les autres utilisateurs éventuels. Si cet produit est prêté, il doit être accompagné de ces instructions.

# SYMBOLES

Les termes de mise en garde suivants et leur signification ont pour but d'expliquer le degré de risques associé à l'utilisation de ce produit.

SYMBOLE	SIGNAL	SIGNIFICATION
	<b>DANGER :</b>	Indique une situation dangereuse qui, si elle n'est pas évitée, aura pour conséquences des blessures graves ou mortelles.
	<b>AVERTISSEMENT :</b>	Indique une situation dangereuse qui, si elle n'est pas évitée, pourrait entraîner des blessures graves ou mortelles.
	<b>ATTENTION :</b>	Indique une situation dangereuse qui, si elle n'est pas évitée, pourrait entraîner des blessures légères ou de gravité modérée.
	<b>AVIS :</b>	(Sans symbole d'alerte de sécurité) Indique les informations jugées importantes sans toutefois représenter un risque de blessure (ex. : messages concernant les dommages matériels).

Certains des symboles ci-dessous peuvent être utilisés sur produit. Veiller à les étudier et à apprendre leur signification. Une interprétation correcte de ces symboles permettra d'utiliser produit plus efficacement et de réduire les risques.

SYMBOLE	NOM	DÉSIGNATION / EXPLICATION
	Symbole d'alerte de sécurité	Indique un risque de blessure potentiel.
	Lire manuel d'utilisation	Pour réduire les risques de blessures, l'utilisateur doit lire et veiller à bien comprendre le manuel d'utilisation avant d'utiliser ce produit.
	Protection oculaire	Toujours porter une protection oculaire avec écrans latéraux certifiée conforme à la norme ANSI Z87.1.
	Avertissement concernant l'humidité	Ne pas exposer à la pluie ou l'humidité.
	Ne laisser personne s'approcher	Garder les badauds à une distance de 15 m (50 pi) minimum.
	Danger de ricochet	Ne pas utiliser le coupe-bordures sans le protecteur. Rester éloigné de la tête de coupe rotative.
	Ne pas utiliser de lame	Ne jamais utiliser une lame quelconque sur un outil portant ce symbole.
	Symbole de recyclage	Ce produit utilise les piles de lithium-ion (Li-ion) . Les réglementations locales ou gouvernementales peuvent interdire de jeter les piles dans les ordures ménagères. Consulter les autorités locales compétentes pour les options de recyclage et / ou l'élimination.
==	Courant continu	Type ou caractéristique du courant
$n_0$	Vitesse à vide	Vitesse de rotation à vide
.../min	Par minute	Tours, coups, vitesse périphérique, orbites, etc., par minute
V	Volts	Tension
Hz	Hertz	Fréquence (cycles par seconde)
min	Minutes	Temps

# CARACTÉRISTIQUES

## FICHE TECHNIQUE

Moteur .....20 V C.C  
Largeur de coupe ..... 279 mm/330 mm (11 po/13 po)

Diamètre de ligne..... rond ou torsadé de 1,6 mm  
(0,065 po) de diamètre ou un fil monofilament torsadé de  
2,0 mm (0,080 po) de diamètre

## VEILLER À BIEN CONNAÎTRE LA TAILLE-BORDURES À LIGNE/TAILLE-BORDURES

*Voir la figure 1.*

L'utilisation sûre de ce produit exige une compréhension des renseignements figurant sur l'produit et contenus dans le manuel d'utilisation, ainsi qu'une bonne connaissance du projet entrepris. Avant d'utiliser ce produit, se familiariser avec toutes ses caractéristiques et règles de sécurité.

## DIAMÈTRE DE COUPE RÉGLABLE

Les diamètres de coupe de 279,4 et 304,8 mm (11 et 13 po) se règlent en tournant la lame de sectionnement du fil.

## POIGNÉE AVANT RÉGLABLE

L'ensemble poignée avant peut être réglé pour faciliter l'utilisation et prévenir les pertes de contrôle.

## ROUE DU COUP-BORDURE

La roue du coupe-bordures permet une performance de coupe stable pendant la coupe.

## DÉFLECTEUR D'HERBE

La tondeuse est équipée d'un déflecteur d'herbe qui protège l'opérateur des débris projetés.

## SURMOULAGE POIGNÉE

Le surmoulage poignée procure un confort d'utilisation plus grand.

## BOUTON DE VERROUILLAGE

Le bouton de verrouillage prévient les démarrages accidentels.

## TÊTE DU TAILLE-HAIES ROTATIVE

La tête du taille-haies rotative peut être verrouillée en deux positions différentes pour faciliter l'utilisation lors de la taille de bordures.

## INTERRUPTEUR DE VITESSE

Cet outil est équipé d'un sélecteur de vitesse permettant à l'opérateur de choisir entre une vitesse élevée ou basse. Une vitesse basse lors de l'opération peut aider à prolonger la durée de vie de la pile alors que la vitesse élevée améliorera la puissance et la performance.

## GÂCHETTE DE COMMANDE DE VITESSE VARIABLE

Cet outil est doté d'une gâchette de commande de vitesse sensible à la pression. La vitesse est contrôlée par la pression exercée sur la gâchette.

# ASSEMBLAGE

## DÉBALLAGE

Ce produit nécessite un assemblage.

- Avec précaution, sortir l'produit et les accessoires de la boîte. S'assurer que toutes les pièces figurant sur la liste de contrôle sont incluses.



### AVERTISSEMENT :

Ne pas utiliser le produit si, en le déballant, vous constatez que des éléments figurant dans la Liste de contrôle d'expédition sont déjà assemblés. Certaines pièces figurant sur cette liste n'ont pas été assemblées par le fabricant et exigent une installation. Le fait d'utiliser un produit qui a été assemblé de façon inadéquate peut entraîner des blessures.

- Examiner soigneusement l'produit pour s'assurer que rien n'a été brisé ou endommagé en cours de transport.

- Ne pas jeter les matériaux d'emballage avant d'avoir soigneusement examiné l'produit et avoir vérifié qu'il fonctionne correctement.
- Si des pièces manquent ou sont endommagées, appeler le 1-800-860-4050.

## LISTE DE CONTRÔLE D'EXPÉDITION

Bloc moteur

Poinée avant réglable

Accessoire taille-bordures à ligne/coupe-bordures

Déflecteur d'herbe

Manuel d'utilisation



### AVERTISSEMENT :

Si des pièces manquent ou sont endommagées, ne pas utiliser cet produit avant qu'elles aient été remplacées. Le non-respect de cet avertissement pourrait entraîner des blessures graves.



# ASSEMBLAGE

## **AVERTISSEMENT :**

Ne pas essayer de modifier cet produit ou de créer des accessoires non recommandés pour l'produit. De telles altérations ou modifications sont considérées comme un usage abusif et peuvent créer des conditions dangereuses, risquant d'entraîner des blessures graves.

## **AVERTISSEMENT :**

Toujours retirer le bloc-piles du produit ou le débrancher de l'alimentation électrique lors de l'assemblage des pièces pour prévenir le démarrage accidentel pouvant causer des blessures graves.

## **OUTILS NÉCESSAIRES**

Voir la figure 2.

Les outils suivants (non inclus ou dessiné pour escalader) sont nécessaires pour effectuer l'assemblage :

- Tournevis phillips

## **INSTALLATION DE LA POIGNÉE AVANT**

Voir la figure 3.

- Desserrer et retirer le boulon à oreilles de la poignée.
- Installer la poignée sur l'arbre de la poignée arrière dans l'espace indiqué sur la figure.
- Ajuster la poignée vers le haut ou vers le bas, si nécessaire, à la position d'opération désirée.
- Réinstaller le boulon à oreilles. Serrer le boulon à oreilles de manière à le fixer solidement.

## **RACCORDEMENT DU BLOC MOTEUR ARBRE À L'ARBRE DU TAILLE-BORDURES**

Voir la figure 3.

## **AVERTISSEMENT :**

Ne jamais installer, retrait ou ajuster un accessoire lorsque le moteur tourne ou avec le bloc-piles installée. Pour éviter des blessures graves, arrêter le moteur ou enlever le bloc-piles.

L'accessoire se raccorde au bloc-moteur à l'aide d'un dispositif de couplage.

- Si est installé, retirer le bloc de piles.
- Aligner les flèches de l'accessoire du taille-bordures/débroussailleuse et du bloc-moteur. Insérer la fiche dans le coupe-bordure ou le coupe-herbe dans la prise du bloc moteur. Assurer que le prise est entièrement placé.
- Glisser le coupleur sur la bloc moteur sur la base coupleur sur la accessoire et tourner le bague dans le droite. Serrer fermement.

**NOTE :** Une fois assemblé correctement, le accessoire taillehaies à ligne/taille-bordures et bloc moteur ne devraient pas se détacher l'un de l'autre. Répéter les étapes décrites précédemment si c'est le cas.

## **AVERTISSEMENT :**

Ne pas verrouiller du taille-bordures à ligne/taille-bordures et bloc moteur aux instructions ci-dessus peut entraîner des blessures graves.

## **RETRAIT DE L'ACCESSOIRE DU BLOC-MOTEUR**

- Retirer le bloc de piles.
- Tourner le coupleur dans le sens contraire aux aiguilles d'une montre pour déverrouiller. Puis, retirer l'arbre du taille-bordures du bloc moteur.

## **FIXATION DU DÉFLECTEUR D'HERBE**

Voir les figures 4 et 5.

## **AVERTISSEMENT :**

La lame coupe ligne du déflecteur est tranchante. Éviter de la toucher. Le contact avec la lame peut causer des blessures graves.

- Retirer le bloc de piles.
- Retirer le sachet en plastique du déflecteur d'herbe.
- Adapter le déflecteur d'herbe dans les fentes de la tête de la tondeuse.
- Aligner les trous du déflecteur d'herbe avec le trous central de la boîte du moteur.
- Installer la vis fournie et la serrer en tournant dans le sens horaire avec un tournevis cruciforme.

# UTILISATION

## **AVERTISSEMENT :**

Ne pas laisser la familiarité avec l'produit faire oublier la prudence. Ne pas oublier qu'une fraction de seconde d'inattention peut entraîner des blessures graves.

## **AVERTISSEMENT :**

Toujours porter une protection oculaire avec écrans latéraux certifiée conforme à la norme ANSI Z87.1. Si cette précaution n'est pas prise, des objets peuvent être projetés dans les yeux et causer des lésions graves.

## **AVERTISSEMENT :**

Ne jamais utiliser de lames ou de dispositifs à fléau, fil et cordes sur ce produit. Ne pas utiliser d'outils ou accessoires non recommandés par le fabricant pour cet produit. L'utilisation de pièces et accessoires non recommandés peut entraîner des blessures graves.

## **AVIS :**

Avant chaque utilisation, inspecter au complet le produit afin de s'assurer qu'aucune pièce (vis, écrous, boulons, chapeaux, etc. n'est endommagée, manquante ou desserrée. Serrer solidement toutes les pièces de fixation et les chapeaux et ne pas utiliser le produit tant que toutes les pièces manquantes ou endommagées n'ont pas été remplacées. Veuillez composer le 1-800-860-4050 ou communiquer avec un centre de réparations agréé pour obtenir de l'aide.

## **INSTALLATION DU BLOC-PILES**

*Voir la figure 6.*

## **AVERTISSEMENT :**

Toujours retirer la pile de l'outil au moment d'assembler des pièces, d'effectuer des réglages et de procéder au nettoyage, ou lorsque l'outil n'est pas utilisé. Le fait de retirer la pile permet d'empêcher un démarrage accidentel pouvant entraîner des blessures graves.

- Insérer les piles dans le produit comme il est indiqué.
- S'assurer que ses deux loquets latéraux s'engagent correctement et vérifier que le bloc est solidement assujéti avant d'utiliser produit.

## **RETRAIT DU BLOC-PILES**

*Voir la figure 6.*

- Appuyer sur les loquets de chaque côté du piles.
- Retirer le bloc-piles du taille-bordures.

## **AVERTISSEMENT :**

Pour éviter des blessures graves, toujours retirer le bloc-piles et tenir à distance de mains le bouton de verrouillage en portant l'outil.

Pour prendre connaissance des consignes de chargement, consulter le manuel d'utilisation des piles et des chargeurs.

## **MISE EN MARCHÉ ET ARRÊT DU TAILLE-BORDURES**

*Voir la figure 7.*

### **Pour démarrer :**

- Choisir la vitesse de fonctionnement désirée (ÉLEVÉE ou BASSE [HIGH ou LOW]).
- Maintenir le bouton de verrouillage enfoncé.
- Appuyer sur la gâchette.

### **Pour arrancar :**

- Pour arrêter le taille-bordures, relâcher la gâchette.
- Lorsque la gâchette est relâchée, le bouton de verrouillage se remet automatiquement en position verrouillée.

## **POIGNÉE AVANT RÉGLABLE**

*Voir la figure 8.*

La poignée avant peut être réglée à un angle de 180°.

- Retirer le bloc de piles.
- Déposer le taille-bordures sur une surface plane et tourner le bouton dans le sens antihoraire pour desserrer la poignée.
- Pour tailler l'herbe, régler la poignée vers le haut.
- Pour couper des bordures, régler la poignée vers le bas.
- Tourner le bouton dans le sens horaire jusqu'à ce que la poignée soit serrée solidement avant de réinstaller la pile.

## **UTILISATION DU TAILLE-BORDURES**

*Voir la figure 9.*

### **Suivre ces conseils lors de l'utilisation de la tondeuse à fouet:**

- Tenir la tondeuse à fouet avec la main droite sur la poignée arrière et la main gauche sur la poignée avant.
- Garder une prise ferme sur les deux poignées pendant le fonctionnement.
- Maintenir le taille-bordures dans une position confortable, la poignée arrière à peu près à hauteur de la taille.
- Couper les herbes hautes de haut en bas. Ceci empêchera l'herbe de s'enrouler sur le perche et la tête de coupe, ce qui pourrait causer des dommages dus à une surchauffe.

# UTILISATION

## Si l'herbe s'enroule autour de la tête de coupe :

- Retirer le bloc-piles.
- Éliminer l'herbe.



### AVERTISSEMENT :

Toujours tenir le taille-bordures distance de soi en maintenant un périmètre de sécurité entre le corps et la tondeuse à fouet. Tout contact avec la tête de coupe de le taille-bordures en cours d'utilisation peut causer des blessures graves.

## CONSEILS

Voir les figures 10 et 11.

- Pour une efficacité maximum, garder la tondeuse à fouet inclinée vers la zone de coupe.
- La tondeuse à fouet coupe lors du passage de l'unité de droite à gauche. Ceci évite que les débris soient projetés en direction de l'opérateur. Éviter de couper dans la zone dangereuse illustrée à la figure 10.
- Couper avec l'extrémité du ligne ; ne pas forcer la tête de coupe dans l'herbe non coupée.
- Les palissades en métal et en bois accélèrent l'usure de ligne et peuvent le casser. Les murs en pierre et brique, trottoirs et pièces de bois peuvent accélérer l'usure de ligne.
- Contourner les arbres et buissons. L'écorce des arbres, les moulures en bois, le lambrissage et les piquets de palissades peuvent être endommagés par la ligne.

## AVANCE DE LIGNE DE COUPE

**NOTE :** Le taille-bordures est équipé avec une tête d'auto-nourrit. Frapper la tête pour essayer d'avancer la ligne endommagera la garantie plus mince et vide.

- La tondeuse à fouet en marche, faire tourner le moteur à plein régime.
- Attendre deux secondes puis appuyer sur la gâchette.  
**NOTE :** À chaque activation de la gâchette, la ligne s'allongera de 6,35 mm (1/4 po) jusqu'à ce qu'elle soit de la longueur de la lame coupe-ligne du déflecteur d'herbe.
- Continuer le travail.

## AVANCE MANUELLE DE LIGNE

Voir la figure 12.

- Retirer le bloc de piles.
- Appuyer sur le bouton noir situé sur la tête de coupe tout en tirant sur la ligne pour le faire avancer manuellement.

## LAME DE SECTIONNEMENT DE LIGNE

Voir la figure 13.

Cette tondeuse est équipée d'une lame coupe-ligne montée sur le protecteur. Pour obtenir une coupe optimale, faire progresser le fil jusqu'à ce qu'il soit coupé à la longueur correcte par la lame coupe-ligne. Le fil doit être avancé chaque fois que le moteur tourne à une vitesse supérieure à la normale ou lorsque la coupe devient moins efficace. Ceci permet de maintenir une efficacité maximum et de maintenir une longueur de fil suffisante pour avancer correctement.

Cette taille-bordure est actuellement réglée au 11 po (279,4 mm) largeur de coupe. Pour ajuster à une largeur de coupe de 13 po (304,8 mm):

- Retirer le bloc de piles.
- Desserrer la tornillo de la hojatourne alors la lame 180°.
- Serrer la tornillo de la hoja.

## TAILLE DES BORDURES

Voir les figures 14 et 15.

- Retirer le bloc de piles.
- Marcher en bas sur la pédale de pied.
- Tourner la tête du taille-haies placer dans le sens inverse des aiguilles d'une montre l'outil dans la position taille-bordures.



### AVERTISSEMENT :

La poignée rotative peut être utilisée en combinaison avec la guidage du taille-bordure pour tailler la bordure des trottoirs et des allées. Pour utiliser le guidage du taille-bordure, débrancher la taille-bordures et la chiquenaude en bas de lui a emmagasiné la position.



### AVERTISSEMENT :

Ne jamais se tenir dans la ligne de coupe. Toujours debout à la gauche du déflecteur d'herbe pour éviter les débris jetés, ce qui pourrait entraîner des blessures graves.

# ENTRETIEN

## **AVERTISSEMENT :**

Pour empêcher un démarrage accidentel pouvant entraîner des blessures graves, toujours retirer le piles de l'produit avant tout nettoyage ou entretien.

## **AVERTISSEMENT :**

Toujours porter une protection oculaire avec écrans latéraux certifiée conforme à la norme ANSI Z87.1. Si cette précaution n'est pas prise, des objets peuvent être projetés dans les yeux et causer des lésions graves.

## **AVERTISSEMENT :**

Utiliser exclusivement des pièces d'origine pour les réparations. L'usage de toute autre pièce pourrait créer une situation dangereuse ou endommager l'produit.

## **AVIS :**

Inspecter périodiquement au complet le produit afin de s'assurer qu'aucune pièce (vis, écrous, boulons, chapeaux, etc.) n'est endommagée, manquante ou desserrée. Serrer solidement toutes les pièces de fixation et les chapeaux et ne pas utiliser le produit tant que toutes les pièces manquantes ou endommagées n'ont pas été remplacées. Pour obtenir de l'aide, veuillez communiquer avec le Service à la clientèle ou un centre de réparations agréé.

## ENTRETIEN GÉNÉRAL

Éviter d'utiliser des solvants pour le nettoyage des pièces en plastique. La plupart des matières plastiques peuvent être endommagées par divers types de solvants du commerce. Utiliser un chiffon propre pour éliminer la saleté, la poussière, l'huile, la graisse, etc.

## **AVERTISSEMENT :**

Ne jamais laisser de liquides tels que le fluide de freins, l'essence, les produits à base de pétrole, les huiles pénétrantes, etc., entrer en contact avec les pièces en plastique. Les produits chimiques peuvent endommager, affaiblir ou détruire le plastique, ce qui peut entraîner des blessures graves.

## REPLACEMENT DE LA BOBINE

*Voir la figure 16.*

Utiliser seulement un fil rond ou torsadé de 1,6 mm (0,065 po) de diamètre ou un fil monofilament torsadé de 2,0 mm (0,080 po) de diamètre. Pour une efficacité maximum, utiliser exclusivement un ligne d'origine.

- Retirer le bloc de piles.
- Enfoncer les languettes sur le côté de la retenue de bobine.
- Tourner la retenue de bobine vers le haut, pour la retirer.
- Retirer la bobine.
- Lors de l'installation d'une bobine neuve, s'assurer que la ligne sont engagés dans la fente de la bobine neuve. S'assurer que l'extrémité du fil dépasse d'environ 152,4 mm (6 po) de la fente.
- Installer la nouvelle bobine de sorte que la ligne et le fente soient alignés avec l'œillet le plus proche de la tête de coupe. Passer la ligne dans les œillet de la tête de coupe.
- Tirer sur la ligne qui dépassent de la tête de coupe afin de dégager la ligne de fente de la bobine.
- Réinstaller la retenue de bobine en insérant les languettes dans les fentes et en enfonçant jusqu'à ce que la retenue de bobine s'insère en place.

## REPLACEMENT DE LIGNE

*Voir les figures 16 et 17.*

- Retirer le bloc de piles.
  - Retirer la bobine de la tête de coupe.
- NOTE :** Retirer la ligne restant éventuellement sur la bobine.
- Couper un segment de ligne d'une longueur d'environ 2,7m(9pi). Utiliser seulement un fil rond ou torsadé de 1,6mm (0,065 po) de diamètre ou un fil monofilament torsadé de 2,0 mm (0,080 po) de diamètre.
  - Insérer la ligne dans le trou d'attache de la partie supérieur de la bobine. Enrouler la ligne dans la partie supérieure de la bobine, tel qu'indiqué par les flèches sur la bobine. Placer la ligne dans la fente de la collerette supérieure de la bobine, en laissant le laissant dépasser d'environ 152 mm (6 po) de la fente. Ne pas remplir à l'excès. Une fois enroulé, il devrait y avoir une longueur d'au moins 6 mm (1/4 po) entre la ligne enroulé et la bordure extérieure de la bobine.
  - Remettre la retenue en plastique, la bobine et sa retenue en place. Voir **Remplacement de la bobine** plus haut dans ce manuel.

## ENTRETIEN

### REMISAGE DU TAILLE-HAIES À LIGNE

- Retirer la pile du taille-haies avant de le ranger.
- Nettoyer soigneusement le taille-haies.
- La remiser dans un endroit inaccessible aux enfants.
- Le tenir à l'écart de produits corrosifs, tels que les produits chimiques de jardinage et le sel de dégivrage.

### PIÈCES DE REMPLACEMENT

Numéro de pièce de la bobine de remplacement ...AC14RSLA  
Numéro de pièce du couvercle de la bobine  
de remplacement .....AC14HCA

## DÉPANNAGE

PROBLÈME	CAUSE POSSIBLE	SOLUTION
Le ligne n'avancera pas si une tête à avance automatique est utilisée	Ligne soudée sur elle-même.	Lubrifier avec un produit au silicone.
	Pas assez de ligne sur la bobine.	Installer une nouvelle ligne. Voir <b>Remplacement de ligne</b> , plus haut dans ce manuel.
	Ligne trop courte.	Tirez la ligne tout en appuyant sur le bouton.
	Ligne emmêlée sur la bobine.	Retirer la ligne de la bobine et la rembobiner. Voir <b>Remplacement de la ligne</b> , plus haut dans ce manuel.
L'herbe s'enroule sur le tube de l'arbre moteur et la tête de coupe	Coupe de hautes herbes au ras du sol.	Couper les herbes hautes du haut en bas.
Le moteur ne démarre pas quand change la gâchette	Le bloc-piles n'est pas fixée.	Pour la fixer, s'assurer que le loquet au bas du bloc-piles est enclenché correctement.
	Le bloc-piles n'est pas chargée.	Charger la pile conformément aux instructions fournis avec ce modèle.
	Raccordement de l'arbre incomplet	S'assurer que l'arbre du taille-bordures est correctement installé sur le coupleur du bloc moteur.



## NOUS APPELER D'ABORD

Pour toute question concernant l'utilisation ou l'entretien utiliser ce produit, appeler le service d'assistance téléphonique Ryobi!  
Le taille-bordures a été entièrement testé avant expédition pour assurer la complète satisfaction de l'utilisateur.

**Ce produit est accompagné d'une garantie limitée de trois (3) ans pour utilisation personnel, familiales ou domestiques (90 jours an pour utilisation affaires ou commerciaux). Pour obtenir les détails de la garantie, visiter le site [www.ryobitools.com](http://www.ryobitools.com) ou appeler (sans frais) au 1-800-860-4050.**



# INSTRUCCIONES DE SEGURIDAD IMPORTANTES

## ¡ADVERTENCIA!

Al utilizar herramientas eléctricas para el cuidado del jardín, con el fin de reducir el riesgo de incendio, descargas eléctricas y lesiones corporales, siempre deben seguirse ciertas medidas básicas de precaución.

## LEA TODAS LAS INSTRUCCIONES

- Para la operación segura, lea y entienda todas las instrucciones antes de usar este producto. Siga todas las instrucciones de seguridad. La inobservancia de todas las instrucciones de seguridad señaladas abajo puede causar lesiones corporales graves.
- No permita que utilicen esta unidad niños ni personas carentes de la debida instrucción para su manejo.
- Limpie el área de trabajo cada vez antes de usar la unidad. Retire todos los objetos tales como piedras, vidrios rotos, clavos, alambre o cuerdas que pudiesen resultar lanzados o enredados en el hilo de corte o cuchilla, según sea el caso.
- Para utilizar este producto póngase anteojos de seguridad o gafas protectoras marcados con el sello de cumplimiento de la norma ANSI Z87.1. Con el cumplimiento de esta regla se reduce el riesgo de lesiones corporales serias.
- Use gafas de seguridad – Use una careta o mascarilla contra el polvo si la operación genera mucho polvo. Siempre use gafas de seguridad con protección lateral. Los anteojos comunes sólo tienen lentes resistentes a los impactos. NO son anteojos de seguridad. Con el cumplimiento de esta regla se reduce el riesgo de posibles lesiones oculares.
- Protéjase los pulmones. se una careta o mascarilla contra el polvo si la operación genera mucho polvo. Con el cumplimiento de esta regla se reduce el riesgo de lesiones serias.
- Vístase adecuadamente – No vista ropas holgadas ni joyas. Estas pueden engancharse en las piezas móviles. Se recomienda el uso de guantes de goma y un calzado resistente cuando se trabaja a la intemperie. Póngase pantalones largos de tela gruesa, mangas largo, botas y guantes. No se ponga pantalones cortos, ni ande descalzo. No se ponga joyas de ninguna clase.
- Recójase el cabello largo arriba del nivel de los hombros para evitar que se enrede en las piezas móviles.
- Mantenga alejados a los niños – Mantenga alejados a todos los circunstantes, niños y animales a una distancia mínima de 15 m (50 pies).
- Permanezca alerta – Preste atención a lo que está haciendo. Use el sentido común. No use esta unidad cuando se encuentre fatigado, enfermo o bajo los efectos del alcohol, drogas o medicamentos.
- No utilice la unidad en condiciones deficientes de iluminación.
- Mantenga todas las partes del cuerpo alejadas de toda pieza en movimiento.
- No utilice herramientas motorizadas en atmósferas explosivas, como las existentes alrededor de líquidos, gases y polvos inflamables. Las herramientas eléctricas generan chispas que pueden encender el polvo y los vapores inflamables.
- Evite el contacto del cuerpo con objetos conectados a tierra, como las tuberías, radiadores, estufas y refrigeradores. Existe un mayor riesgo de descargas eléctricas si el cuerpo está en contacto con tierra.
- Evite los entornos de trabajo peligrosos – No exponga las aparato or herramienta eléctricas a la lluvia ni a condiciones de humedad. La introducción de agua en una herramienta eléctrica aumenta el riesgo de descargas eléctricas.
- Vístase adecuadamente – No fuerce la herramienta. Utilice la herramienta adecuada para cada tarea. El uso de la herramienta adecuada a la velocidad para la que está diseñada, efectuará el trabajo de mejor y más segura manera.
- No fuerce la herramienta – El uso de la herramienta adecuada a la velocidad para la que está diseñada, efectuará el trabajo de mejor y más segura manera.
- No accione el equipo cuando esté descalzo o al llevar puestas sandalias o calzado liviano similar. Use calzado de seguridad que le proteja sus pies y mejore su postura en superficies resbaladizas.
- No estire el cuerpo para alcanzar mayor distancia – Mantenga los pies bien afirmados y el equilibrio. No trate de alcanzar demasiado lejos. Se puede perder el equilibrio al tratar de alcanzar demasiado lejos.
- Evite un arranque accidental de la unidad – Asegúrese de que el interruptor esté en la posición de aseguramiento o de apagado antes de instalar el paquete de baterías. Llevar las herramientas con el dedo en el interruptor o instalar el paquete de baterías en la herramienta con el interruptor puesto es causa común de accidentes.
- No utilice la herramienta si el interruptor no enciende o no apaga. Una herramienta que no pueda controlarse con el interruptor es peligrosa y debe repararse.
- Desconecte la batería – Desconecte la batería de la aparato antes dar servicio, o cambiar accesorios como la del hilo de corte. Tales medidas preventivas de seguridad reducen el riesgo de poner en marcha accidentalmente la herramienta.
- Sólo utilice piezas de repuesto idénticas y accesorios del fabricante original. El empleo de piezas diferentes puede causar un peligro o dañar el producto.

# INSTRUCCIONES DE SEGURIDAD IMPORTANTES




- Proporcione mantenimiento con cuidado al aparato – Cambie el cabezal del hilo, si está agrietado, desportillado o dañado de cualquier forma. Asegúrese de que el cabezal del hilo, o cuchilla, según sea el caso, esté debidamente instalado y firmemente asegurado. La inobservancia de esta advertencia puede causar lesiones corporales serias. Mantenga la producto y el mango secos, limpios y sin aceite ni grasa.
- Revise para ver si hay piezas dañadas – Antes de seguir utilizando la herramienta, es necesario inspeccionar cuidadosamente toda protección o pieza dañada para determinar si funcionará correctamente y desempeñará la función a la que está destinada. Verifique la alineación de las partes móviles, que no haya atoramiento de partes móviles, que no haya piezas rotas, el montaje de las piezas y cualquier otra condición que pudiera afectar su funcionamiento. Toda protección o pieza que esté dañada debe repararse apropiadamente o reemplazarse en un centro de servicio autorizado para evitar todo riesgo de lesiones.
- Asegúrese de que todas las protecciones, correas, deflectores y mangos estén firme y correctamente instalados.
- En el cabezal de corte use únicamente hilo de repuesto del fabricante original. No use ningún otro aditamento de corte, por ejemplo, cable metálico, cuerda o producto similar. Instalar cualquier otra marca de hilo de corte en esta recortadora de hilo puede producir lesiones corporales serias.
- Nunca utilice la unidad si el deflector de pasto no está montado en su lugar y en buenas condiciones de funcionamiento.
- Al usar la recortadora, sujétela firmemente por ambos mangos. Mantenga el cabezal del hilo por debajo del nivel de la cintura. Nunca corte con el cabezal del hilo a más de 762 mm (30 pulg.) del suelo.
- Guarde en el interior los artefactos que no esté usando – Mientras no se esté utilizando, la recortadora de hilo debe almacenarse en el interior, en un sitio seco y bajo llave, lejos del alcance de los niños.
- Nunca use hojas, dispositivos movibles, alambre ni cuerdas. Esta unidad se diseñó para usar con recortadora de hilo únicamente. El uso de cualquier otro accesorio o aditamento aumenta el riesgo de lesiones.
- Inspeccione el área por cortar. Retire todos los objetos (piedras, vidrio roto, clavos, alambre, hilo, etc.) que puedan salir disparados o enredarse en el cabezal de corte.
- Mantenga las rejillas de ventilación limpias y sin desechos para evitar que se recaliente el motor. Límpielas cada vez, después de usar la herramienta.
- Apague la unidad y desconecte el suministro de corriente cuando no esté en uso. Traslade la unidad con el motor apagado.
- Guarde la unidad desenchufada y fuera del alcance de los niños.
- No cuelgue la unidad de modo que el gatillo del interruptor quede presionado.
- Las herramientas de baterías no se necesitan conectar a una toma de corriente; por lo tanto, siempre están en condiciones de funcionamiento. Esté consciente de los posibles peligros cuando no esté usando la herramienta de baterías o cuando esté cambiando los accesorios de la misma. Siempre encaje la palanca de seguro antes de colocar la recortadora en el cargador montado en la pared. Con el cumplimiento de esta regla se reduce el riesgo de una descarga eléctrica, incendio o lesión corporal seria.
- Si se somete la batería a condiciones extremas, esta puede despedir un líquido. Evite entrar en contacto con ese líquido. Si se produce un contacto accidental, lávese con agua. Si el líquido entra en contacto con los ojos, también busque atención médica. El líquido que sale expulsado de la batería puede provocar irritaciones o quemaduras.
- No utilice un paquete de baterías o un artefacto que esté dañado o modificado. Las baterías dañadas o modificadas pueden tener un funcionamiento impredecible que provoque incendios, explosiones o riesgo de lesiones.
- No exponga el paquete de baterías o el artefacto al fuego o a temperaturas excesivas. La exposición al fuego o a temperaturas sobre los 130 °C (265 °F) puede provocar explosiones.
- No cargue herramientas de baterías en lugares mojados o húmedos. Con el cumplimiento de esta regla se reduce el riesgo de una descarga eléctrica.
- No use aparatos accionados por baterías en la lluvia.
- Quite o desconecte la batería cuando no se está cargando, y antes de proporcionarle servicio, realizarle una limpieza, quitar material del aparato para el cuidado del jardín, o antes de almacenarla.
- Usar este producto únicamente con la baterías y el cargadors indicados en el folleto de la herramienta/ aparato/paquete de baterías/cargador complementario 987000-432.
- No deseche las baterías en el fuego. Las baterías pueden estallar. Verifique los códigos de la localidad para conocer posibles instrucciones especiales para desecharlas.
- No desarme el paquete de baterías. El electrolito emitido es corrosivo y puede causar daños en los ojos y en la piel. Puede ser tóxico si se ingiere.

# INSTRUCCIONES DE SEGURIDAD IMPORTANTES










- No coloque herramientas de baterías ni las baterías mismas cerca del fuego o del calor. De esta manera se reduce el riesgo de explosiones y de lesiones.
- Las baterías pueden explotar en presencia de una fuente de inflamación, como una luz guía. Para reducir el riesgo de lesiones corporales serias, nunca use un producto inalámbrico en presencia de llamas expuestas. La explosión de una pila puede lanzar fragmentos y compuestos químicos. Si ha quedado expuesto a la explosión de una pila, lávese de inmediato con agua.
- No aplaste, deje caer o dañe la pila. Nunca utilice una pila o cargador que se ha caído, aplastado, recibido un golpe contundente o ha sido dañado(a) de alguna manera. Las baterías dañadas pueden sufrir explosiones. Deseche de inmediato toda pila que haya sufrido una caída o cualquier daño.
- Para obtener resultados óptimos, debe cargar la herramienta de baterías en un lugar donde la temperatura esté entre 50 °F y 100°F. No guarde la herramienta a la intemperie ni en el interior de vehículos.
- En condiciones extremas de uso o temperatura las baterías pueden emanar líquido. Si el líquido llega a tocarle la piel, lávese de inmediato con agua y jabón. Si le entra líquido en los ojos, láveselos con agua limpia por lo menos 10 minutos, y después busque de inmediato atención médica. Con el cumplimiento de esta regla se reduce el riesgo de lesiones corporales serias.
- Guarde estas instrucciones. Consúltelas con frecuencia y empléelas para instruir a otras personas que puedan utilizar esta herramienta. Si presta a alguien esta herramienta, facilítele también las instrucciones.

# SÍMBOLOS

Las siguientes palabras de señalización y sus significados tienen el objeto de explicar los niveles de riesgo relacionados con este producto.

SÍMBOLO	SEÑAL	SIGNIFICADO
	<b>PELIGRO:</b>	Indica una situación peligrosa, la cual, si no se evita, causará la muerte o lesiones serias.
	<b>ADVERTENCIA:</b>	Indica una situación peligrosa, la cual, si no se evita, podría causar la muerte o lesiones serias.
	<b>PRECAUCIÓN:</b>	Indica una situación peligrosa, la cual, si no se evita, podría causar lesiones menores o leves.
	<b>AVISO:</b>	(Sin el símbolo de alerta de seguridad) Indica la información que se considera importante, pero no relacionada con lesiones potenciales (por ej. en relación a daños a la propiedad).

Es posible que se empleen en este producto algunos de los siguientes símbolos. Le suplicamos estudiarlos y aprender su significado. Una correcta interpretación de estos símbolos le permitirá utilizar mejor y de manera más segura el producto.

SÍMBOLO	NOMBRE	DENOMINACIÓN/EXPLICACIÓN
	Alerta de seguridad	Indica un peligro posible de lesiones personales.
	Lea manual del operador	Para reducir el riesgo de lesiones, el usuario debe leer y comprender el manual del operador antes de usar este producto.
	Protección ocular	Siempre póngase protección ocular con protección lateral con la marca de cumplimiento de la norma ANSI Z87.1.
	Alerta de condiciones húmedas	No exponga la unidad a la lluvia ni la use en lugares húmedos.
	Mantenga alejadas a las personas presentes	Mantenga a los circunstantes a una distancia mínima de 15 m (50 pies).
	Rebote	Cualquier objeto lanzado puede rebotar y producir lesiones personales o daños físicos.
	No instale hoja de corte	No instale ni utilice ningún tipo de hoja de corte en ningún producto con este símbolo.
	Símbolo de reciclado	Este producto utiliza baterías de iones de litio (Li-ion). Es posible que algunas leyes municipales, estatales o federales prohíban desechar las baterías en la basura normal. Consulte a las autoridades reguladoras de desechos para obtener información en relación con las alternativas de reciclado y desecho disponibles.
	Corriente continua	Tipo o característica de corriente
$n_0$	Velocidad en vacío	Velocidad de rotación, en vacío
.../min	Por minuto	Revoluciones, carreras, velocidad superficial, órbitas, etc., por minuto
V	Volts	Voltaje
Hz	Hertz	Frecuencia (ciclos por segundo)
min	Minutos	Tiempo

# CARACTERÍSTICAS

## ESPECIFICACIONES

Motor ..... 18 V c.c.  
Ancho de corte ..... 279 mm/330 mm (11 pulg./13 pulg.)

Diámetro del hilo ..... monofilamento redonda o trenzada con un diámetro de 1,6 mm (0,065 pulg.) o trenzada con un diámetro de 2 mm (0,080 pulg.)

## FAMILIARÍCESE CON SU RECORTADORA DE HILO/RECORTADORA DE BORDES

*Vea la figura 1.*

El uso seguro que este producto requiere la comprensión de la información impresa en la producto y en el manual del operador así como ciertos conocimientos sobre el proyecto a realizar. Antes de usar este producto, familiarícese con todas las características de funcionamiento y normas de seguridad.

### DIÁMETRO DE CORTE AJUSTABLE

El diámetro de corte se puede ajustar de 279,4 mm (11 pulg.) a 304,8 mm (13 pulg.) haciendo girar la cuchilla de corte del hilo.

### MANGO DELANTERO AJUSTABLE

El conjunto del mango delantero se puede ajustar para facilidad de uso y para ayudar a evitar la pérdida de control.

### RUEDA DE RECORTAR BORDES

La rueda de recortadora de bordes tiene en cuenta cortar más fijo desempeño al bordear.

### DEFLECTOR DE HIERBA

La recortadora incorpora un deflector de hierba que ayuda a proteger al operador de los desechos lanzados por la producto.

## SOBREMOLDEADO MANGO

El sobremoldeado mango proporciona mayor comodidad para el operador.

## BOTÓN DEL SEGURO

El botón del seguro evita los arranques accidentales.

## CÓMO ROTAR EL CABEZAL DE LA RECORTADORA

El cómo rotar el cabezal de la recortadora puede bloquearse en dos distintas posiciones para facilitar su uso durante el cortar bordes y recortar.

## INTERRUPTOR DE VELOCIDAD

Esta herramienta tiene un selector de velocidad que le permite al operador elegir entre la velocidad ALTA o BAJA. Usar la velocidad baja durante su operación ayuda a prologar el tiempo de funcionamiento de la batería, mientras que usar la velocidad alta mejora la potencia y el desempeño.

## INTERRUPTOR DE GATILLO DE VELOCIDAD VARIABLE

Esta herramienta dispone de un interruptor de velocidad variable, el cual produce mayor velocidad cuanto mayor presión se aplica en el mismo. La velocidad se controla mediante la presión aplicada en el gatillo del interruptor.

# ARMADO

## DESEMPAQUETADO

Este producto requiere armarse.

- Extraiga cuidadosamente de la caja la producto y los accesorios. Asegúrese de que estén presentes todos los artículos enumerados en la lista de empaquetado.



### ADVERTENCIA:

No utilice este producto si alguna pieza incluida en la Lista de empaquetado ya está ensamblada al producto cuando lo desempaqueta. El fabricante no ensambla las piezas de esta lista en el producto. Éstas deben ser instaladas por el usuario. El uso de un producto que puede haber sido ensamblado de forma inadecuada podría causar lesiones personales graves.

- Inspeccione cuidadosamente la producto para asegurarse de que no haya sufrido ninguna rotura o daño durante el transporte.
- No deseche el material de empaquetado hasta que haya inspeccionado cuidadosamente la producto y la haya utilizado satisfactoriamente.
- Si hay piezas dañadas o faltantes, le suplicamos llamar al 1-800-860-4050, donde le brindaremos asistencia.

## LISTA DE EMPAQUETADO

Cabezal motor  
Mango delantero ajustable  
Aditamento de recortadora de hilo/para recortar bordes  
Deflector de hierba  
Manual del operador



# ARMADO

## **ADVERTENCIA:**

Si hay piezas dañadas o faltantes, no utilice este producto sin haber reemplazado las piezas dañadas o faltantes. La inobservancia de esta advertencia puede causar lesiones graves.

## **ADVERTENCIA:**

No intente modificar este producto ni hacer accesorios no recomendados para la misma. Cualquier alteración o modificación constituye maltrato el cual puede causar una condición peligrosa, y como consecuencia posibles lesiones corporales serias.

## **ADVERTENCIA:**

Para evitar un arranque accidental que podría causar lesiones corporales serias, siempre desmonte de la producto el paquete de baterías al montarle piezas a aquélla.

## HERRAMIENTAS NECESARIAS

Vea la figura 2.

Para armar la unidad se necesitan las siguientes herramientas (no incluido o dibujado para escalar):

- Destornillador phillips

## MONTAJE DEL MANGO DELANTERO

Vea la figura 3.

- Afloje y retire el perno de mariposa del mango.
- Instale el mango en el alojamiento del eje de impulsión, en el lugar que indica la etiqueta en el eje.
- Si es necesario, suba o baje el mango para ajustarlo a la posición de manejo deseada.
- Reinstale el perno de mariposa. Ajuste el perno de mariposa por seguridad.

## MONTAJE DEL CABEZAL MOTOR EN EL ADITAMENTO

Vea la figura 3.

## **ADVERTENCIA:**

Nunca una ni ajuste ningún aditamento, desmontar o mientras esté funcionando el cabezal motor o con la paquete de baterías instaladas. Si no puede detener el motor o retirar el paquete de baterías puede provocar lesiones personales graves.

El aditamento se conecta al cabezal motor mediante un dispositivo acoplador.

- Si está instalado, retire el paquete de baterías.
- Alinee las flechas del accesorio de la recortadora de hilo/bordeadora y el cabezal motor. Inserte el conector del accesorio para recortadora de hilo/bordeadora en la apertura del cabezal motor. Asegúrese de que el enchufe es sentado completamente.
- Deslizar el acoplador en la cabezal motor hasta la base acoplador en el aditamento y gírelo hacia la derecha. Ajuste firmemente

**NOTA:** Las ensambló correctamentectamente, el aditamento de recortadora de hilo/para recortar bordes y cabezal motor no deberán separarse. Repita los pasos anteriores si las barras se separan.

## **ADVERTENCIA:**

La inobservancia para asegurar la aditamento de recortadora de hilo/para recortar bordes y cabezal motor como instruido encima de podría tener como puede causar lesiones corporales serias.

## DESMONTAJE UN ADITAMENTO DEL CABEZAL MOTOR

- Retire el paquete de baterías.
- Gire el acoplador en sentido contrario a las agujas del reloj para destrabarlo. Luego, retire el eje de la recortadora del cabezal motor.

## MONTAJE DEL DEFLECTOR DE PASTO

Vea las figuras 4 y 5.

## **ADVERTENCIA:**

La cuchilla de cortar el hilo del deflector de pasto está afilada. Evite tocar la cuchilla. Si no evita tal contacto puede originarse lesiones corporales serias.

- Retire el paquete de baterías.
- Retire el bolsa de plástico del deflector de hierba.
- Inserte el deflector de hierba en las ranuras del cabezal de la recortadora.
- Haga coincidir los orificios del deflector de hierba con el orificios central del alojamiento del motor.
- Instale el tornillo incluido y apriételo girándolo en sentido horario con un destornillador phillips.

# FUNCIONAMIENTO

## **ADVERTENCIA:**

No permita que su familiarización con las herramientas lo vuelva descuidado. Tenga presente que un descuido de un instante es suficiente para causar una lesión grave.

## **ADVERTENCIA:**

Siempre póngase protección ocular con la marca de cumplimiento de la norma ANSI Z87.1. La inobservancia de esta advertencia puede causar el lanzamiento de objetos a los ojos, y por consecuencia posibles lesiones serias.

## **ADVERTENCIA:**

Nunca use hojas, dispositivos móviles, alambre ni cuerdas en este producto. No utilice ningún aditamento o accesorio no recomendado por el fabricante de este producto. El empleo de aditamentos o accesorios no recomendados puede causar lesiones serias.

## **AVISO:**

Antes de cada uso, inspeccione todo el producto para detectar algún daño, partes faltantes o sueltas, como tornillos, tuercas, pernos, tapas, etc. Ajuste firmemente todos los sujetadores y las tapas y no active este producto hasta que todas las partes faltantes o dañadas sean reemplazadas. Llame al 1-800-860-4050 o comuníquese con un centro de servicio autorizado para recibir asistencia.

## **INSTALACIÓN DEL PAQUETE DE BATERÍAS**

*Vea la figura 6.*

## **ADVERTENCIA:**

Retire siempre el paquete de baterías de la herramienta antes de instalar las piezas, realizar ajustes, limpiarla o cuando no la utilice. Retirar el paquete de baterías evitará que la unidad se accione accidentalmente y provoque lesiones graves.

- Introduzca el paquete de baterías en el receptáculo para baterías.
- Asegúrese de que los pestillos situados en ambos lados del paquete de baterías se deslicen completamente en su lugar y de que el paquete quede bien fijo en el producto antes de empezar a utilizarlo.

## **EXTRACCIÓN DEL PAQUETE DE BATERÍAS**

*Vea la figura 6.*

- Oprima los pestillos laterales del paquete de baterías..
- Retire de la recortadora de hilo el paquete de baterías.

## **ADVERTENCIA:**

Para evitar lesiones corporales serias, siempre desmonte de la herramienta el paquete de baterías y mantenga manos vacías del botón del seguro al llevar herramienta.

Para obtener instrucciones específicas de carga, lea el manual del operador que se incluye con el cargador y la batería.

## **ENCENDIDO Y APAGADO DE LA RECORTADORA**

*Vea la figura 7.*

### **Para encendido:**

- Seleccione la velocidad de funcionamiento deseada (ALTA o BAJA).
- Oprima y no suelte el botón del seguro.
- Oprima el gatillo del interruptor.

### **Para apagado:**

- Suelte el gatillo cuando desee apagar la recortadora de hilo.
- Al soltar el gatillo, el botón del seguro regresa automáticamente a la posición de aseguramiento.

## **MANGO DELANTERO AJUSTABLE**

*Vea la figura 8.*

El ángulo del mango delantero puede ajustarse a 180 °.

- Retire el paquete de baterías.
- Coloque la recortadora en una superficie plana y gire la perilla hacia la izquierda para aflojar el mango.
- Para recortar, ajuste el mango hacia arriba.
- Para cortar bordes, ajuste el mango hacia abajo.
- Gire la perilla hacia la derecha hasta que el mango esté firmemente apretado antes de volver a instalar el paquete de baterías.

## **MANEJO DE LA RECORTADORA DE HILO**

*Vea la figura 9.*

### **Siga las siguientes recomendaciones a manejar la recortadora de hilo:**

- Sujete la recortadora con la mano derecha en el mango trasero y la izquierda en el delantero.
- Sujete firmemente la unidad con ambas manos durante la operación.
- Se recomienda sujetar la recortadora en una posición cómoda, con el mango trasero a la altura de la cadera aproximadamente.

# FUNCIONAMIENTO

- Corte la hierba alta desde arriba hacia abajo. Esto evitará que la hierba se enrolle alrededor del alojamiento del eje y del cabezal del brazo, lo que puede causar daños por calentamiento excesivo.

## Si la hierba se enrolla en el cabezal del hilo:

- Retire el paquete de baterías.
- Quite la hierba.



### ADVERTENCIA:

Siempre sujete la recortadora de hilo lejos de su cuerpo, manteniendo un espacio entre ambos. El contacto con el cabezal de corte de la recortadora de hilo durante su operación puede causar lesiones personales graves.

## RECOMENDACIONES DE CORTE

Vea las figuras 10 y 11.

- Mantenga la recortadora inclinada hacia el área de corte; ésta es el área óptima.
- La recortadora de hilo efectúa el corte al pasar la unidad de derecha a izquierda. De esta manera se evita el lanzamiento de desechos hacia el operador. Evite recortar en el área peligrosa mostrada en la figura 10.
- Haga que el recorte sea efectuado por la punta del hilo; no fuerce el cabezal del hilo en la hierba sin cortar.
- Las cercas de alambre y de estacas causan desgaste adicional del hilo, incluso su ruptura. Los muros de piedra y de ladrillo, así como las banquetas (aceras) y la madera pueden desgastar rápidamente el hilo.
- Evite el contacto con árboles y arbustos. La corteza de los árboles, las molduras de madera, los revestimientos de las paredes y los postes de las cercas pueden resultar dañados fácilmente por el hilo.

## AVANCE DEL HILO

**NOTA:** La recortadora es equipada con una cabeza de auto-comida. Golpear la cabeza para tratar de avanzar la línea dañará la garantía de trimmer y vacío.

- Haga funcionar la recortadora, suelte el gatillo del interruptor.
- Espere dos segundos y oprima el gatillo del interruptor.

**NOTA:** El hilo se extiende aproximadamente 6,35 mm (1/4 pulg.) cada vez que se apaga y enciende el gatillo del interruptor hasta que el hilo alcanza la longitud de la cuchilla de corte del deflector de pasto.

- Reanude el recorte.

## AVANCE MANUAL DEL HILO

Vea la figura 12.

- Retire el paquete de baterías.
- Oprima el botón negro ubicado en el cabezal del hilo mientras tira del hilo para avanzar manualmente el hilo.

## CUCHILLA DE CORTE DEL HILO

Vea la figura 13.

Esta recortadora está equipada con una cuchilla de corte instalada en el protección. Para obtener mejores resultados en el recorte, avance el hilo hasta que la cuchilla lo corte a la longitud apropiada. Avance el hilo siempre que escuche que el motor está funcionando más rápido de lo normal, o cuando disminuya la eficiencia del recorte. Esto mantendrá un desempeño óptimo y mantendrá el hilo a la suficiente longitud para que avance correctamente.

Este recortadora de hilo es puesto actualmente en el 279,4 mm (11 pulg.) ancho de corte. Para ajustar a un ancho de corte de 304,8 mm (13 pulg.):

- Retire el paquete de baterías.
- Afloje el tornillo de la hoja entonces gira la hoja 180°.
- Apriete el tornillo de la hoja.

## RECORTE DE BORDES

Vea las figuras 14 y 15.

- Retire el paquete de baterías.
- Escalón en el pedal de pie.
- Gire la cabeza de la recortadora a la izquierda la herramienta en la posición de recortadora de bordes.



### ADVERTENCIA:

Siempre sujete la recortadora de hilo lejos del cuerpo, manteniendo un espacio entre el cuerpo y la herramienta. Cualquier contacto del cabezal de corte de la recortadora de hilo puede producir lesiones serias.



### ADVERTENCIA:

Nunca se pare directamente en la línea de corte. Siempre están a la izquierda del deflector de hierba para evitar los desechos lanzados, puede entrañar des blessures graves.

# MANTENIMIENTO

## **ADVERTENCIA:**

Para evitar lesiones serias, siempre retire el paquete de baterías de la herramienta cuando la limpie o durante cualquier mantenimiento.

## **ADVERTENCIA:**

Siempre póngase protección ocular con protección lateral con la marca de cumplimiento de la norma ANSI Z87.1. La inobservancia de esta advertencia puede causar el lanzamiento de objetos a los ojos, y por consecuencia posibles lesiones serias.

## **ADVERTENCIA:**

Al dar servicio a la unidad, sólo utilice piezas de repuesto idénticas. El empleo de piezas diferentes podría causar un peligro o dañar el producto.

## **AVISO:**

Inspeccione periódicamente todo el producto para detectar partes dañadas, faltantes o sueltas, como tornillos, tuercas, pernos, tapas, etc. Apriete firmemente todos los sujetadores y las tapas y no accione este producto hasta que todas las partes faltantes o dañadas sean reemplazadas. Llame al 1-800-860-4050 o comuníquese con un centro de servicio autorizado para recibir asistencia.

## **MANTENIMIENTO GENERAL**

Evite el empleo de solventes al limpiar piezas de plástico. La mayoría de los plásticos son susceptibles a diferentes tipos de solventes comerciales y pueden resultar dañados. Utilice paños limpios para eliminar la suciedad, el polvo, el aceite, la grasa, etc.

## **ADVERTENCIA:**

No permita en ningún momento que fluidos para frenos, gasolina, productos a base de petróleo, aceites penetrantes, etc., lleguen a tocar las piezas de plástico. Las sustancias químicas pueden dañar, debilitar o destruir el plástico, lo cual a su vez puede producir lesiones corporales serias.

## **REEMPLAZO DEL CARRETE**

*Vea la figura 16.*

Use únicamente línea monofilamento redonda o trenzada con un diámetro de 1,6 mm (0,065 pulg.) o trenzada con un diámetro de 2 mm (0,080 pulg.). Use el hilo de repuesto del fabricante original para obtener el mejor desempeño.

- Retire el paquete de baterías.
- Presione hacia dentro las pestañas laterales del retén del carrete.
- Empuje el retén del carrete hacia arriba para extraerlo.
- Retire el carrete vacío.
- Para instalar el nuevo carrete, asegúrese de que se capturen la hilo en la ranura en el nuevo carrete. Asegúrese de que la extremo de hilo se extiende aproximadamente 2,03 mm [0.080 in. (0,080 po) de ranura.
- Instale el nuevo carrete de manera que el hilo y las ranuras queden alineados con el ojillo más cercano del cabezal del hilo. Pase los hilo por los ojaes.
- Tire de los hilo desde el cabezal del hilo para que el hilo se suelte de las ranuras del carrete.
- Vuelva a instalar el retén del carrete presionando las pestañas en sus ranuras y empujándolas hacia abajo hasta que el retén quede sujeto en su lugar.

## **REEMPLAZO DEL HILO**

*Vea las figuras 16 y 17.*

- Retire el paquete de baterías.
  - Quite el carrete del cabezal del hilo.
- NOTA:** Retire todo el hilo sobrante en el carrete.
- Corte una pieza de hilo de aproximadamente 2,7 m (9 pies) de largo. Use únicamente línea monofilamento redonda o trenzada con un diámetro de 1,6 mm (0,065 pulg.) o trenzada con un diámetro de 2 mm (0,080 pulg).
  - Introduzca el hilo en el orificio de sujeción de la parte superior del carrete. Enrolle hacia la derecha el hilo alrededor de la parte superior del carrete, según lo indican las flechas en el carrete. Coloque el hilo en la ranura de la pestaña superior del carrete, y deje que sobresalga aproximadamente 152 mm (6 pulg.) de la ranura. No lo llene en exceso. Después de enrollar el hilo, debe haber una separación mínima de 6 mm (1/4 pulg.) entre el hilo enrollado y el borde exterior del carrete.
  - Vuelva a colocar el retén de plástico, el carrete y el retén de éste. Consulte la sección **Reemplazo del carrete** previamente expuesta en este manual.

# MANTENIMIENTO

## ALMACENAMIENTO DE LA RECORTADORA

- Retire el paquete de baterías de la recortadora de hilo antes de almacenarla.
- Limpie todos los desechos presentes en la recortadora.
- Almacene la unidad en un espacio inaccesible a los niños.
- Mantenga la unidad alejada de agentes corrosivos como los productos químicos para el jardín y las sales para derretir el hielo.

## PIÈCES DE RECHANGE

Núm. pieza del carrete de repuesto ..... AC14RSLA  
 Núm. pieza de la tapa del carrete de repuesto ...AC14HCA

# CORRECCIÓN DE PROBLEMAS

PROBLEMA	CAUSA POSIBLE	SOLUCIÓN
El hilo no avanza cuando se usa el cabezal con alimentación automática	El hilo se pegó a sí mismo.	Lubrique con rociador de silicón.
	No hay suficiente hilo en el carrete	Instale más hilo. Vea la sección <b>Reemplazo del hilo</b> arriba en este manual.
	El hilo se desgastó hasta quedar muy corto.	Tire de hilo secuencias mientras que presiona el botón.
	El hilo está enredado en el carrete.	Retire el hilo del carrete y vuelva a enrollarlo. Vea la sección <b>Reemplazo del hilo</b> arriba en este manual.
El césped se enrolla alrededor del alojamiento del eje y del cabezal del hilo	Se está cortando la hierba alta a nivel del suelo.	Corte la hierba alta desde la parte superior hacia abajo.
El motor falla de arranca cuando disparador de gatillo del interruptor	La paquete de baterías no está fija.	Para fijar el paquete de baterías, asegúrese de que la traba de la parte inferior del paquete de baterías quede insertada en su lugar.
	La paquete de baterías no está cargada.	Cargue el paquete de baterías según las instrucciones incluidas con su modelo.
	El eje no se conecta por completo.	Asegúrese de que el eje de la recortadora esté firmemente asentado en el acoplador del cabezal motor.



## LLÁMENOS PRIMERO

Si tiene preguntas sobre el funcionamiento o el mantenimiento este producto, llame al teléfono de atención al consumidor de Ryobi!

La recortadora ha sido probada enteramente antes de embarcarse para asegurar la satisfacción del consumidor.

**Este producto tiene una garantía limitada de tres años para fines personales, familiares o domésticos (90 días para usos trabajo o comercial). Para obtener detalles sobre la garantía, diríjase a [www.ryobitools.com](http://www.ryobitools.com) o llame sin cargo al 1-800-860-4050.**







# OPERATOR'S MANUAL

MANUEL D'UTILISATION / MANUAL DEL OPERADOR

18 VOLT STRING TRIMMER/EDGER

18 V TAILLE-BORDURES À LIGNE/COUPE-BORDURES

18 V RECORTADORA DE HILO/RECORTADORA DE BORDES

**P2008**

• **PARTS AND SERVICE:** Prior to requesting service or purchasing replacement parts, please obtain your item, manufacturing, and serial numbers from the product data plate.

ITEM NO. \_\_\_\_\_

MANUFACTURING NO. \_\_\_\_\_

SERIAL NO. \_\_\_\_\_

**HOW TO OBTAIN REPLACEMENT PARTS:** Replacement parts can be purchased online at [www.ryobitools.com](http://www.ryobitools.com) or by calling 1-800-860-4050. Replacement parts can also be obtained at one of our service centers.

**HOW TO LOCATE A SERVICE CENTER:** Service centers can be located online at [www.ryobitools.com](http://www.ryobitools.com) or by calling 1-800-860-4050.

**HOW TO OBTAIN CUSTOMER OR TECHNICAL SUPPORT:** To obtain customer or technical support please contact us at 1-800-860-4050.

RYOBI is a trademark of Ryobi Limited and is used pursuant to a license granted by Ryobi Limited.

• **PIÈCES ET SERVICE :** Avant de faire la demande de service ou l'achat de pièces de remplacement, veuillez obtenir le numéro d'article, le numéro de fabrication et le numéro de série à partir de la plaque de données du produit.

NUMÉRO D'ARTICLE \_\_\_\_\_

NUMÉRO DE FABRICATION \_\_\_\_\_

NUMÉRO DE SÉRIE \_\_\_\_\_

**COMMENT OBTENIR LES PIÈCES DE REMPLACEMENT :** Les pièces de remplacement peuvent être achetées en ligne sur le site [www.ryobitools.com](http://www.ryobitools.com) ou par téléphone au 1-800-860-4050. Les pièces de remplacement peuvent être obtenues à un de nos centres de service.

**COMMENT TROUVER UN CENTRE DE SERVICE :** Les centres de service peuvent être localisés en ligne au [www.ryobitools.com](http://www.ryobitools.com) ou en téléphonant au 1-800-860-4050.

**COMMENT OBTENIR DE L'AIDE EN CONTACTANT LE SERVICE À LA CLIENTÈLE :** Pour contacter le service à la clientèle pour une question technique ou pour tout autre renseignement, veuillez nous téléphoner au 1-800-860-4050.

RYOBI est une marque de Ryobi Limited et est utilisée en vertu d'une licence accordée par Ryobi Limited.

• **PIEZAS DE REPUESTO Y SERVICIO:** Antes de solicitar servicio técnico o comprar piezas de repuesto, obtenga su número de artículo, el número de fabricación y el número de serie de la placa de datos del producto.

NÚMERO DE ARTÍCULO \_\_\_\_\_

NÚMERO DE FABRICACIÓN \_\_\_\_\_

NÚMERO DE SERIE \_\_\_\_\_

**CÓMO OBTENER PIEZAS DE REPUESTO:** Las piezas de repuesto se pueden comprar en nuestro sitio en la red mundial, en la dirección [www.ryobitools.com](http://www.ryobitools.com) o llamando al 1-800-860-4050. Las piezas de repuesto también se pueden obtener en uno de nuestros centros de servicio.

**CÓMO LOCALIZAR UN CENTRO DE SERVICIO:** Puede encontrar los centros de servicio visitando nuestro sitio en la red mundial, en la dirección [www.ryobitools.com](http://www.ryobitools.com) or by calling 1-800-860-4050.

**CÓMO OBTENER SERVICIO O ASISTENCIA TÉCNICA AL CONSUMIDOR:** Para obtener servicio o asistencia técnica al consumidor, sírvase comunicarse con nosotros llamando al 1-800-860-4050.

RYOBI es una marca de Ryobi Limited y se utiliza conforme a una licencia otorgada por Ryobi Limited.

## TECHTRONIC INDUSTRIES POWER EQUIPMENT

1428 Pearman Dairy Road, Anderson, SC 29625 USA

1-800-860-4050 • [www.ryobitools.com](http://www.ryobitools.com)

991000667

3-31-18 (REV:02)



**REGISTER YOUR TOOLS**  
<http://register.ryobitools.com>  
 1-800-860-4050

# OPERATOR'S MANUAL

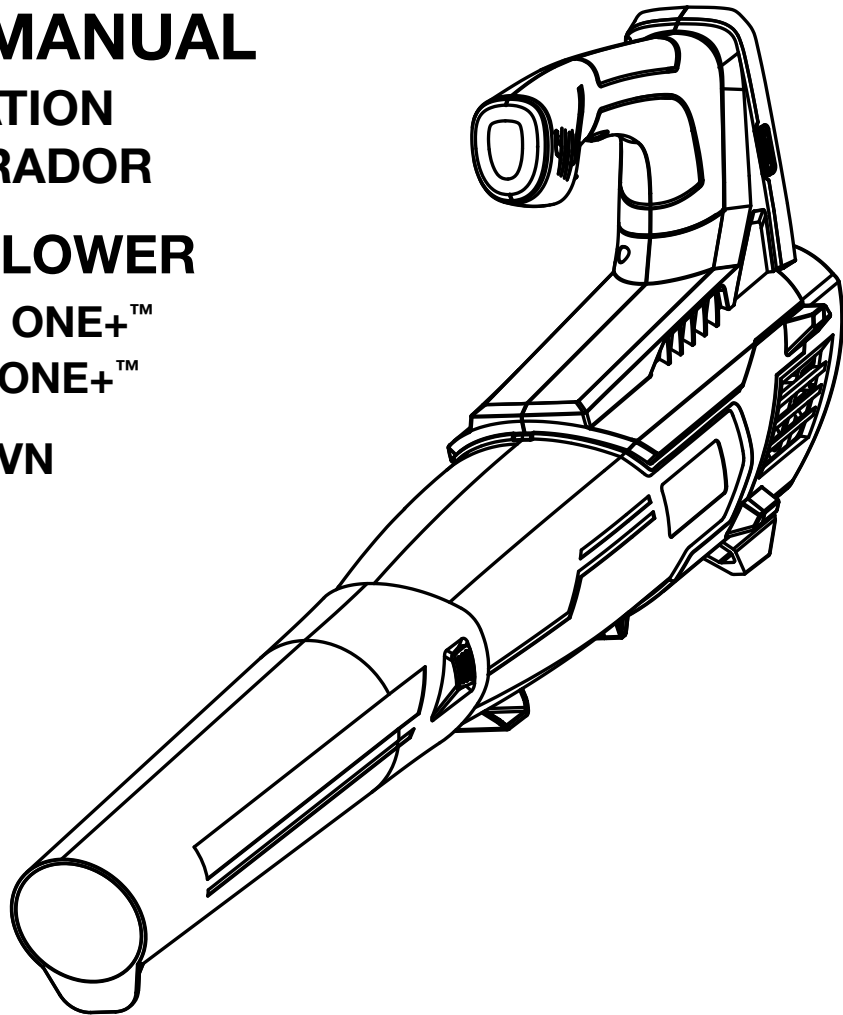
MANUEL D'UTILISATION  
 MANUAL DEL OPERADOR

## 18 VOLT ONE+™ BLOWER

SOUFFLANTE DE 18 V ONE+™

SOPLADORA DE 18 V ONE+™

P2108/P21081/P21081VN



### TABLE OF CONTENTS

- Important Safety Instructions..... 2-3
- Symbols ..... 4-5
- Features ..... 5
- Assembly ..... 6
- Operation ..... 7-8
- Maintenance ..... 8
- Parts Ordering/Service..... Back Page

### TABLE DES MATIÈRES

- Règles de sécurité importantes ..... 2-3
- Symboles ..... 4-5
- Caractéristiques ..... 5
- Assemblage ..... 6
- Utilisation ..... 7-8
- Entretien ..... 8
- Commande de pièces/  
réparation ..... Page arrière

### ÍNDICE DE CONTENIDO

- Instrucciones importantes  
de seguridad ..... 2-3
- Símbolos ..... 4-5
- Características ..... 5
- Armado ..... 6
- Funcionamiento ..... 7-8
- Mantenimiento ..... 8
- Pedidos de piezas/  
servicio ..... Pág. posterior

**⚠ WARNING:** To reduce the risk of injury, the user must read and understand the operator's manual before using this product.

**⚠ AVERTISSEMENT :** Pour réduire les risques de blessures, l'utilisateur doit lire et veiller à bien comprendre le manuel d'utilisation avant d'employer ce produit.

**⚠ ADVERTENCIA:** Para reducir el riesgo de lesiones, el usuario debe leer y comprender el manual del operador antes de usar este producto.

**SAVE THIS MANUAL FOR  
FUTURE REFERENCE**

**CONSERVER CE MANUEL  
POUR FUTURE RÉFÉRENCE**

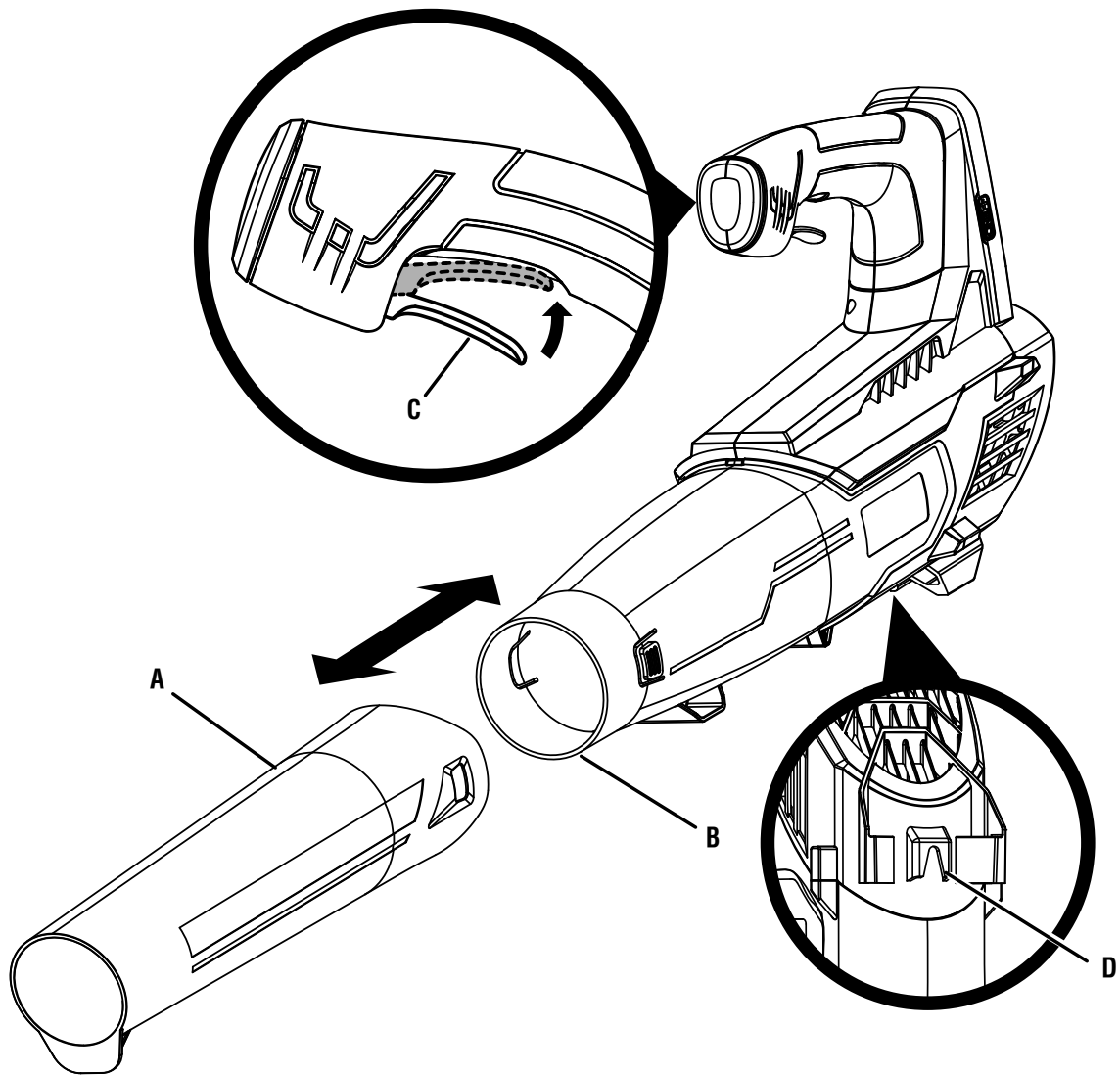
**GUARDE ESTE MANUAL  
PARA FUTURAS CONSULTAS**

**See this fold-out section for all of the figures  
referenced in the operator's manual.**

**Consulter l'encart à volets afin d'examiner toutes les figures  
mentionnées dans le manuel d'utilisation.**

**Consulte esta sección desplegable para ver todas las figuras  
a las que se hace referencia en el manual del operador.**

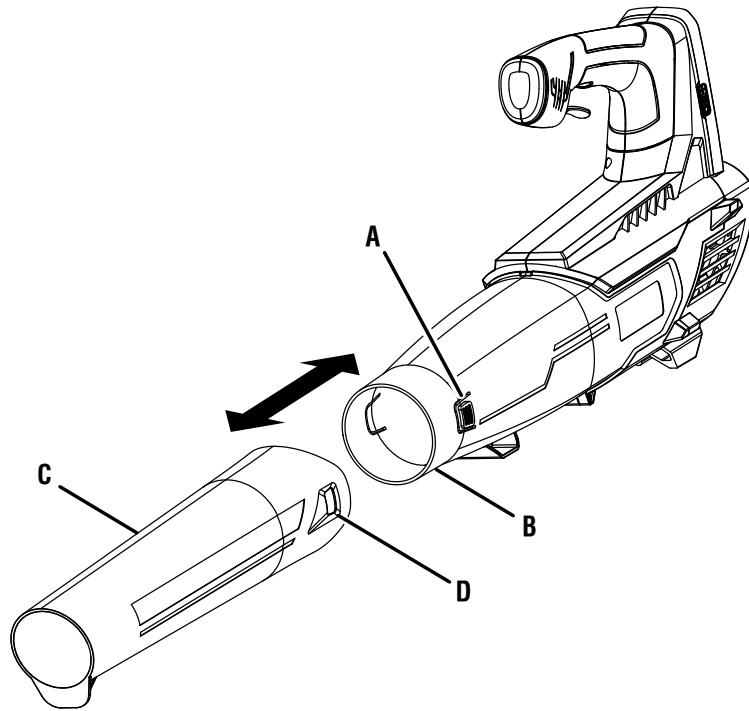
**Fig. 1**



A - Blower tube (tube de soufflante, tubo de la sopladora)  
B - Blower housing outlet (prise de boîtier de soufflante, salida del alojamiento de la sopladora)

C - Variable speed switch trigger (gâchette à variation de vitesse, gatillo del interruptor de velocidad variable)  
D - Keyhole hanger (suspension de trou clé, soporte bocallave)

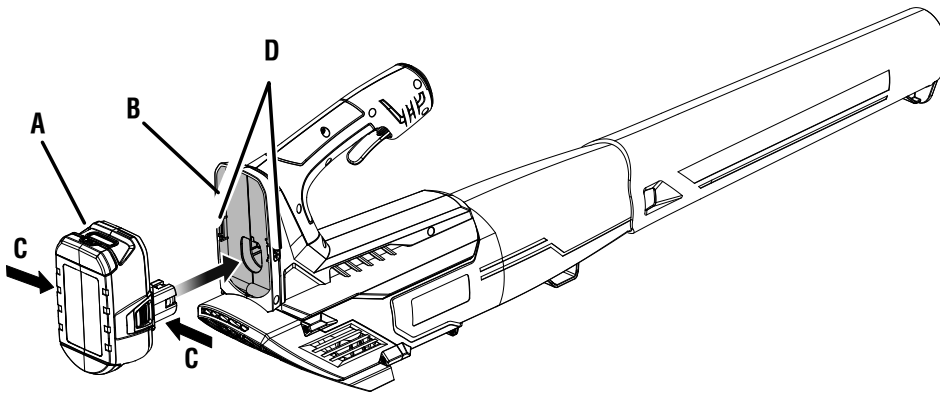
**Fig. 2**



A - Tab (languette, orejeta)  
B - Blower housing outlet (prise de boîtier de soufflante, salida del alojamiento de la sopladora)

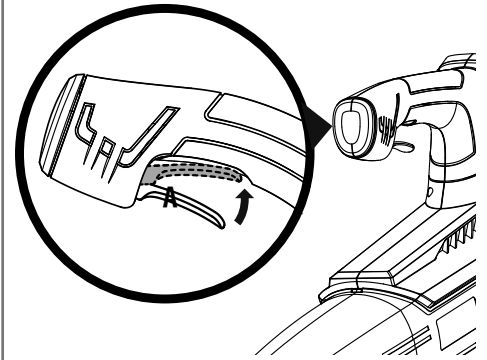
C - Blower tube (tube de soufflante, tubo de la aspiradora)  
D - Slot (fente, ranura)

**Fig. 3**



A - Battery pack (bloc-piles, paquete de baterías)  
B - Battery port (logement de batteries, receptáculo para baterías)  
C - Latch (loquet, pestillo)  
D - Raised rib (épaulements surélevés, costillas realzadas)

**Fig. 4**



A - Switch trigger (gâchette, gatillo)

**Fig. 5**

**PROPER OPERATING POSITION  
BONNE POSITION DE TRAVAIL  
POSICIÓN CORRECTA PARA EL MANEJO  
DE LA HERRAMIENTA**





# IMPORTANT SAFETY INSTRUCTIONS

When using an electrical appliance, basic precautions should always be followed, including the following:

## **WARNING!**

**READ AND UNDERSTAND ALL INSTRUCTIONS BEFORE USING THIS BLOWER.** To reduce the risk of electric shock, fire and/or serious personal injury.

- **Know your power blower. Read operator's manual carefully. Learn its applications and limitations, as well as the specific potential hazards related to this blower.** Following this rule will reduce the risk of electric shock, fire, or serious injury.
- **Do not permit children to use blower.** It is not a toy. Close attention is necessary when used near children.
- **Use only accessories that are recommended by the manufacturer for your model described in this manual.** Accessories that may be suitable for one blower may create a risk of injury when used on another blower. Use only as described in this manual.
- **Do not handle charger, including charger plug, and charger terminals with wet hands.**
- **Do not put any object into openings. Do not use with any opening blocked; keep free of dust, lint, hair, and anything that may reduce air flow.**
- **Do not charge the unit outdoors.**
- **Keep hair, loose clothing, fingers, and all parts of body away from openings and moving parts.**
- **Turn off all controls before removing battery.**
- **Use extra care when cleaning on stairs or steps.**
- **Do not operate blowers in explosive atmospheres, such as in the presence of flammable liquids, gases, or dust.** Blowers create sparks which may ignite the dust or fumes.
- **Keep your work area clean and well lit.** Cluttered benches and dark areas invite accidents.
- **Keep bystanders, children, and visitors at least 50 ft. away while operating a blower.** Distractions can cause you to lose control.
- **A battery operated blower with integral batteries or a separate battery pack must be recharged only with the specified charger for the battery.** A charger that may be suitable for one type of battery may create a risk of fire when used with another battery.
- **Use battery operated blower only with specifically designated battery pack.** Use of any other batteries may create a risk of fire.
- **Use this product only with batteries and chargers listed in tool/appliance/battery pack/charger correlation supplement 987000-432.**
- **Do not operate charger with a damaged cord or plug, which could cause shorting and electric shock.** If damaged, have the charger replaced by an authorized service center.
- **If appliance is not working as it should, has been dropped, damaged, left outdoors, or dropped into water, return it to a service center.**
- **Stay alert, watch what you are doing and use common sense when operating a power blower. Do not use blower while tired, upset, or under the influence of drugs, alcohol, or medication.** A moment of inattention while operating blowers may result in serious personal injury.
- **Secure long hair above shoulder level to prevent entanglement in moving parts.**
- **Avoid accidental starting. Be sure switch is in the locked or off position before inserting battery pack.** Carrying blowers with your finger on the switch or inserting the battery pack into a blower with the switch on invites accidents.
- **Use safety equipment. Always wear eye protection.** Dust mask, non-skid safety shoes, hard hat, or hearing protection must be used for appropriate conditions.
- **Do not wear loose clothing or jewelry. Contain long hair.** Loose clothes, jewelry, or long hair can be drawn into air vents.
- **Do not use on a ladder, rooftop, tree, or other unstable support.** Stable footing on a solid surface enables better control of the blower in unexpected situations.
- **Do not use blower if switch does not turn it on or off.** A blower that cannot be controlled with the switch is dangerous and must be repaired.
- **Disconnect battery pack from blower before making any adjustments, changing accessories, or storing the blower.** Such preventive safety measures reduce the risk of starting the blower accidentally.
- **When battery pack is not in use, keep it away from other metal objects like: paper clips, coins, keys, nails, screws, or other small metal objects that can make a connection from one terminal to another.** Shorting the battery terminals together may cause sparks, burns, or a fire.
- **Check for misalignment or binding of moving parts, breakage of parts, and any other condition that may affect the blower's operation. If damaged, have the blower serviced before using.** Many accidents are caused by poorly maintained blowers.
- **Keep the blower and its handle dry, clean and free from oil and grease.** Always use a clean cloth when cleaning. Never use brake fluids, gasoline, petroleum-based products, or any strong solvents to clean your blower. Following this rule will reduce the risk of loss of control and deterioration of the enclosure plastic.
- **Always wear safety glasses with side shields.** Everyday glasses have only impact resistant lenses. They

# IMPORTANT SAFETY INSTRUCTIONS




are NOT safety glasses. Following this rule will reduce the risk of eye injury.

- **Always wear eye protection with side shields marked to comply with ANSI Z87.1 along with hearing protection when operating this equipment.**
- **Protect your lungs. Wear a face or dust mask if the operation is dusty.** Following this rule will reduce the risk of serious personal injury.
- **Protect your hearing. Wear hearing protection during extended periods of operation.** Following this rule will reduce the risk of serious personal injury.
- **Battery blowers do not have to be plugged into an electrical outlet; therefore, they are always in operating condition. Be aware of possible hazards when not using your battery powered blower or when changing accessories.** Following this rule will reduce the risk of electric shock, fire, or serious personal injury.
- **Under abusive conditions, liquid may be ejected from the battery; avoid contact.** If contact accidentally occurs, flush with water. If liquid contacts eyes, additionally seek medical help. Liquid ejected from the battery may cause irritation or burns.
- **Do not use a battery pack or appliance that is damaged or modified.** Damaged or modified batteries may exhibit unpredictable behavior resulting in fire, explosion or risk of injury.
- **Do not expose a battery pack or appliance to fire or excessive temperature.** Exposure to fire or temperature above 265°F may cause explosion.
- **Follow all charging instructions and do not charge the battery pack or appliance where the temperature is less than 50°F or more than 100°F.** Charging improperly or at temperatures outside of the specified range may damage the battery and increase the risk of fire.
- **Do not modify or attempt to repair the appliance or the battery pack except as indicated in the instructions for use and care.**
- **Do not place battery powered blowers or their batteries near fire or heat.** This will reduce the risk of explosion and possibly injury.
- **Don't expose blowers to rain or wet conditions.** Water entering a blower will increase the risk of electric shock.
- **Wear heavy long pants, long sleeves, boots, and gloves.** Avoid loose garments or jewelry that could get caught in moving parts of the machine or its motor.
- **Do not operate the equipment while barefoot or when wearing sandals or similar lightweight footwear.** Wear protective footwear that will protect your feet and improve your footing on slippery surfaces.
- **Keep firm footing and balance. Do not overreach.** Overreaching can result in loss of balance.
- **Check the work area before each use.** Remove all objects such as rocks, broken glass, nails, wire, or string which can be thrown or become entangled in the machine.
- **Do not point the blower nozzle in the direction of people or pets.**
- **Never run the unit without the proper equipment attached.** Always ensure the blower tubes are installed.
- **When not in use, blower should be stored indoors in a dry, locked up place—out of the reach of children.**
- **Do not hang unit so that the switch trigger is depressed.**
- **Keep all bystanders, children, and pets at least 50 ft. away.**
- **Do not dispose of a severely damaged or worn out battery pack or this blower by incinerating.** The battery can explode in fire.
- Stop the motor, wait until all moving parts come to a complete stop, and disconnect from the power supply before cleaning or performing any maintenance.
- **Never use water or any liquids to clean or rinse off your product and do not expose the product to rain or wet conditions. Store indoors in a dry area.** Corrosive liquids, water, and chemicals can enter the product's electronic components and cause damage, which can result in a short circuit, increased risk of fire, and serious personal injury. Remove any buildup of dirt and debris by wiping the product clean with a dry cloth occasionally.
- **Blower service must be performed only by qualified repair personnel.** Service or maintenance performed by unqualified personnel may result in a risk of injury.
- **When servicing a blower, use only identical replacement parts.** Follow instructions in the Maintenance section of this manual. Use of unauthorized parts or failure to follow Maintenance Instructions may create a risk of shock or injury.
- **Never use blower near fires, fireplaces, hot ashes, barbecue pits, etc.** Use near fires or ashes can spread fires and result in serious injury and/or property damage.
- **Never use blower to spread chemicals, fertilizers, or any other toxic substances.** Spreading these substances could result in serious injury to the operator or bystanders.
- **Never place blower on any surface, except a hard, clean surface when motor is running.** Gravel, sand, and other debris can be picked up by the air inlet and thrown at the operator or bystanders, causing possible serious injuries.
- **For household use only.**
- **Save these instructions.** Refer to them frequently and use them to instruct others who may use this tool. If you loan someone this tool, loan them these instructions also.












## SAVE THESE INSTRUCTIONS

# SYMBOLS

The following signal words and meanings are intended to explain the levels of risk associated with this product.

SYMBOL	SIGNAL	MEANING
	<b>DANGER:</b>	Indicates a hazardous situation, which, if not avoided, will result in death or serious injury.
	<b>WARNING:</b>	Indicates a hazardous situation, which, if not avoided, could result in death or serious injury.
	<b>CAUTION:</b>	Indicates a hazardous situation, that, if not avoided, may result in minor or moderate injury.
	<b>NOTICE:</b>	(Without Safety Alert Symbol) Indicates information considered important, but not related to a potential injury (e.g. messages relating to property damage).

Some of the following symbols may be used on this product. Please study them and learn their meaning. Proper interpretation of these symbols will allow you to operate the product better and safer.

SYMBOL	NAME	DESIGNATION/EXPLANATION
	Safety Alert	Indicates a potential personal injury hazard.
	Read Operator's Manual	To reduce the risk of injury, user must read and understand operator's manual before using this product.
	Eye and Hearing Protection	Always wear eye protection with side shields marked to comply with ANSI Z87.1 along with hearing protection when operating this equipment.
	Impeller Blades	Rotating impeller blades can cause severe injury.
	Wet Conditions Alert	Do not expose to rain or use in damp locations.
	Keep Bystanders Away	Keep all bystanders at least 50 ft. away.
	Long Hair	Failure to keep long hair away from the air inlet could result in personal injury.
	Blower Tube	Do not operate without tube in place.
	Loose Clothing	Failure to keep loose clothing from being drawn into air intake could result in personal injury.
	Ricochet	Thrown objects can ricochet and result in personal injury or property damage.
	Recycle Symbol	This product uses lithium-ion (Li-ion) batteries. Local, state, or federal laws may prohibit disposal of batteries in ordinary trash. Consult your local waste authority for information regarding available recycling and/or disposal options.

# SYMBOLS

Some of the following symbols may be used on this product. Please study them and learn their meaning. Proper interpretation of these symbols will allow you to operate the product better and safer.

SYMBOL	NAME	DESIGNATION/EXPLANATION
V	Volts	Voltage
min	Minutes	Time
—	Direct Current	Type or a characteristic of current
$n_0$	No Load Speed	Rotational speed, at no load
.../min	Per Minute	Revolutions, strokes, surface speed, orbits etc., per minute

# FEATURES

## PRODUCT SPECIFICATIONS

Motor ..... 18 Volts DC  
 Air Velocity ..... 100 MPH  
 Air Volume ..... 280 CFM

## KNOW YOUR BLOWER

See Figure 1.

The safe use of this product requires an understanding of the information on the tool and in this operator's manual as well as a knowledge of the project you are attempting. Before use of this product, familiarize yourself with all operating features and safety rules.

### BLOWER TUBE

The blower tube can be installed on the blower without using any tools.

### KEYHOLE HANGER

Built in hanger allows you to easily and conveniently store the unit safely out of the way.

### OVERMOLD HANDLE

Ergonomic handle with overmold improves comfort and grip.

### VARIABLE SPEED SWITCH TRIGGER

The variable speed switch trigger delivers higher speed with increased trigger pressure and lower speed with decreased trigger pressure.

# ASSEMBLY

## UNPACKING

This product requires assembly.

- Carefully remove the product and any accessories from the box. Make sure that all items listed in the packing list are included.

### **WARNING:**

Do not use this product if any parts on the Packing List are already assembled to your product when you unpack it. Parts on this list are not assembled to the product by the manufacturer and require customer installation. Use of a product that may have been improperly assembled could result in serious personal injury.

- Inspect the product carefully to make sure no breakage or damage occurred during shipping.
- Do not discard the packing material until you have carefully inspected and satisfactorily operated the product.
- If any parts are damaged or missing, please call 1-800-860-4050 for assistance.

## PACKING LIST

Blower

Blower Tube

Operator's Manual

### **WARNING:**

If any parts are damaged or missing do not operate this product until the parts are replaced. Use of this product with damaged or missing parts could result in serious personal injury.

### **WARNING:**

Do not attempt to modify this product or create accessories not recommended for use with this blower. Any such alteration or modification is misuse and could result in a hazardous condition leading to possible serious personal injury.

### **WARNING:**

To prevent accidental starting that could cause serious personal injury, always remove the battery pack from the tool when assembling parts.

## ASSEMBLING THE BLOWER TUBE

See *Figure 2*.

- With the logo area facing up, slide the blower tube over the outlet on the blower housing.
- Press down on the tab on the blower housing outlet.
- Push tube on the blower housing outlet until tab locks into place through the slot in the blower tube.
- To remove the blower tube, push tab down and slide tube off.



# OPERATION

## **WARNING:**

Do not allow familiarity with products to make you careless. Remember that a careless fraction of a second is sufficient to inflict serious injury.

## **WARNING:**

Always wear eye protection with side shields marked to comply with ANSI Z87.1, along with hearing protection. Failure to do so could result in objects being thrown into your eyes resulting in possible serious injury.

## **WARNING:**

Do not use any attachments or accessories not recommended by the manufacturer of this product. The use of attachments or accessories not recommended can result in serious personal injury.

## **NOTICE:**

Before each use, inspect the entire product for damaged, missing, or loose parts such as screws, nuts, bolts, caps, etc. Tighten securely all fasteners and caps and do not operate this product until all missing or damaged parts are replaced. Please contact customer service or a qualified service center for assistance.

## APPLICATIONS

You may use this product for the purposes listed below:

- Clearing leaves and other debris from your lawn
- Keeping decks and driveways free from grass clippings, leaves, pine needles, and other debris

## TO INSTALL / REMOVE BATTERY PACK

See Figure 3.

## **WARNING:**

Always remove battery pack from your tool when you are assembling parts, making adjustments, cleaning, or when not in use. Removing battery pack will prevent accidental starting that could cause serious personal injury.

### To install:

- Place the battery pack in the blower. Align the raised rib on the battery pack with groove in the blower's battery port.
- Make sure the latches on each side of the battery pack snap in place and that the battery pack is secured in the blower before beginning operation.

## **NOTICE:**

When placing battery pack in the tool, be sure raised rib on battery pack aligns with the bottom of the tool and latches into place properly. Improper installation of the battery pack can cause damage to internal components.

### To remove:

- Locate the latches on the side of the battery pack and depress both sides to release the battery pack from the blower.

## **WARNING:**

Battery tools are always in operating condition. Therefore, switch should always be locked with hands free of the lock-out button when not in use. Remove battery pack when transporting or carrying blower to avoid accidental starting, which may result in serious injury.

For complete charging instructions, see the operator's manuals for your battery pack and charger.

## STARTING/STOPPING THE BLOWER

See Figure 4.

- To start the blower, depress the switch trigger.
- To stop the blower, release the switch trigger.

# OPERATION

## OPERATING THE BLOWER

See Figure 5.

- To keep from scattering debris, blow around the outer edges of a debris pile. Never blow directly into the center of a pile.
- To reduce sound levels, limit the number of pieces of equipment used at any one time.
- Use rakes and brooms to loosen debris before blowing. In dusty conditions, slightly dampen surfaces when water is available.

- Conserve water by using power blowers instead of hoses for many lawn and garden applications, including areas such as gutters, screens, patios, grills, porches, and gardens.
- Watch out for children, pets, open windows, or freshly washed cars, and blow debris safely away.
- After using blowers or other equipment, CLEAN UP! Dispose of debris properly.

### **WARNING:**

Battery tools are always in operating condition. Therefore, switch should always be in the OFF position when not in use or carrying at your side.

# MAINTENANCE

### **WARNING:**

To avoid serious personal injury, always remove the battery pack from the product when cleaning or performing any maintenance.

### **WARNING:**

Always wear eye protection with side shields marked to comply with ANSI Z87.1, along with hearing protection. Failure to do so could result in objects being thrown into your eyes resulting in possible serious injury.

### **WARNING:**

When servicing, use only identical replacement parts. Use of any other parts can create a hazard or cause product damage.

### **NOTICE:**

Periodically inspect the entire product for damaged, missing, or loose parts such as screws, nuts, bolts, caps, etc. Tighten securely all fasteners and caps and do not operate this product until all missing or damaged parts are replaced. Please contact customer service or a qualified service center for assistance.

## GENERAL MAINTENANCE

Avoid using solvents when cleaning plastic parts. Most plastics are susceptible to damage from various types of commercial solvents and may be damaged by their use. Use clean cloths to remove dirt, dust, oil, grease, etc.

### **WARNING:**

Do not at any time let brake fluids, gasoline, petroleum-based products, penetrating oils, etc., come in contact with plastic parts. Chemicals can damage, weaken or destroy plastic which can result in serious personal injury.

## STORAGE

- Clean all foreign material from the blower.
- Store indoors in a secure place that is inaccessible to children. Keep away from corrosive agents such as garden chemicals and de-icing salts.
- Do not hang unit so that the switch trigger is depressed.

**This product has a Three-year Limited Warranty for personal, family, or household use (90 days for business or commercial use). For warranty details, visit [www.ryobitools.com](http://www.ryobitools.com) or call (toll free) 1-800-860-4050.**

# RÈGLES DE SÉCURITÉ IMPORTANTES

En utilisant un appareil électrique, précautions fondamentales toujours devraient être suivies, y compris le suivre :

## **AVERTISSEMENT !**

**LIRE ET COMPRENDRE TOUTES LES INSTRUCTIONS AVANT D'UTILISER CETTE SOUFFLERIE.** Pour réduire le risque de décharge électrique, et/ou de feu blessure personnelle sérieuse.

- **Apprendre à connaître l'outil. Lire attentivement le manuel d'utilisation. Apprendre les applications et les limites de l'outil, ainsi que les risques spécifiques relatifs à son utilisation.** Le respect de cette consigne réduira les risques d'incendie, de choc électrique et de blessures graves.
- **Interdire l'utilisation du souffleur aux enfants.** Ce n'est pas un jouet. Une surveillance étroite est impérative lorsqu'il est utilisé à proximité d'enfants.
- **Utiliser exclusivement les accessoires recommandés par le fabricant pour le modèle d'outil concerné décrit dans ce manuel.** Des accessoires appropriés pour un outil peuvent être dangereux s'ils sont utilisés avec un autre. Utiliser exclusivement selon les instructions de ce manuel.
- **Ne pas manipuler le chargeur, la fiche du chargeur et les bornes du chargeur avec des mains humides.**
- **Ne pas insérer d'objet dans les ouvertures. Ne pas utiliser si une ouverture est bloquée ; veiller à ce que les ouvertures ne soient jamais obstruées par de la poussière, de la peluche, des cheveux ou quoi que ce soit risquant de réduire le flux d'air.**
- **Ne pas charger l'appareil à l'extérieur.**
- **Garder les cheveux, les vêtements amples, les doigts et toute autre partie du corps à l'écart des ouvertures et pièces en mouvement.**
- **Désactiver toutes les commandes avant de retirer la pile.**
- **Faire preuve d'une grande prudence lors du nettoyage des escaliers et des marches.**
- **Ne pas utiliser d'outils dans des atmosphères explosives, en présence de liquides, de gaz ou de poussières inflammables par exemple.** Les outils motorisés produisent des étincelles qui risquent d'enflammer les poussières ou les vapeurs.
- **Garder le lieu de travail propre et bien éclairé.** Les établis encombrés et les endroits sombres sont propices aux accidents.
- **Éloigner les badauds, enfants et visiteurs à une distance d'au moins 15 m (50 pi) pendant l'utilisation d'un outil motorisé.** Les distractions peuvent causer une perte de contrôle.
- **Les piles d'outils motorisés, qu'elles soient intégrées ou amovibles, ne doivent être rechargées qu'avec le chargeur spécifié.** Un chargeur approprié pour un type de pile peut créer un risque d'incendie s'il est utilisé avec un autre type de pile.
- **Utiliser exclusivement le bloc de pile spécifiquement indiqué pour l'outil.** L'utilisation de toute autre pile peut créer un risque d'incendie.
- **Utiliser ce produit seulement avec les piles et les chargeurs indiqués dans le supplément de raccordement pour chargeur/outils/piles/appareil n° 987000-432.**
- **Ne pas utiliser un chargeur dont la prise ou le cordon sont endommagés au risque de causer un court-circuit et un choc électrique.** Le cas échéant, faire remplacer la prise ou le cordon immédiatement par un centre de réparations agréé.
- **Si l'appareil ne fonctionne pas correctement, s'il a été échappé, s'il est endommagé, s'il a été laissé à l'extérieur ou s'il est tombé dans l'eau, retourner le produit au centre de réparations.**
- **Rester attentif, prêter attention au travail et faire preuve de bon sens lors de l'utilisation de tout outil motorisé. Ne pas utiliser cet outil en état de fatigue, vexé ou sous l'influence d'alcool, de drogues ou de médicaments.** Un moment d'inattention pendant l'utilisation d'un outil motorisé peut causer des blessures graves.
- **Attacher les cheveux longs pour les maintenir au-dessus des épaules, afin qu'ils ne se prennent pas dans les pièces en mouvement.**
- **Éviter les démarrages accidentels. S'assurer que la commande est verrouillée en position d'arrêt avant d'insérer le bloc-piles.** Le transport d'outils avec le doigt sur la commande ou l'insertion du bloc de pile avec la commande en position de marche présente un risque d'accident.
- **Utiliser un équipement de sécurité. Toujours porter des lunettes de protection.** Suivant les conditions, le port d'un masque filtrant, de chaussures de sécurité, d'un casque ou d'une protection auditive est recommandé.
- **Ne porter ni vêtements amples, ni bijoux. Attacher ou couvrir les cheveux longs.** Les vêtements amples, les bijoux et les cheveux longs peuvent se prendre dans les ouïes d'aération.
- **Ne pas utiliser sur une échelle, le dessus de toit, l'arbre ou un support instable.** Une position stable sur une surface ferme permet de mieux contrôler l'outil en cas de situation imprévue.
- **Ne pas utiliser l'outil si la commande ne permet pas de le mettre en marche ou de l'arrêter.** Un outil qui ne peut pas être contrôlé par sa commande est dangereux et doit être réparé.
- **Déconnecter le bloc-piles avant d'effectuer des réglages, de changer d'accessoire ou de remiser l'outil.** Ces mesures de sécurité réduisent les risques de démarrage accidentel de l'outil.
- **Lorsque le bloc-piles n'est pas utilisé, le tenir à l'écart d'objets métalliques tels que : les attaches trombones, les pièces de monnaie, les clous, les vis et les autres petits objets métalliques risquant d'établir le contact entre les deux bornes.** La mise en court-circuit des bornes de piles peut causer des étincelles, des brûlures ou un incendie.
- **Vérifier qu'aucune pièce mobile n'est mal alignée ou bloquée, qu'aucune pièce n'est brisée et s'assurer qu'aucun autre problème ne risque d'affecter le bon fonctionnement de l'outil.** En cas de dommages, faire réparer l'outil avant de l'utiliser de nouveau. Beaucoup d'accidents sont causés par des outils mal entretenus.
- **Garder l'outil et sa poignée secs, propres et exempts d'huile ou de graisse.** Toujours utiliser un chiffon propre pour le nettoyage. Ne jamais nettoyer l'outil avec du liquide de frein, de l'essence, des produits à base de pétrole ou des solvants puissants. Le respect de cette règle réduira les risques de perte du contrôle et de dommage du boîtier en plastique.
- **Toujours porter des lunettes de sécurité avec écrans latéraux.** Les lunettes de vue ordinaires sont munies seulement de verres résistants aux impacts. Ce ne sont PAS des lunettes de sécurité. Le respect de cette règle réduira les risques de choc électrique.




# RÈGLES DE SÉCURITÉ IMPORTANTES

- **Porter une protection oculaire avec écrans latéraux certifiée conforme à la norme ANSI Z87.1 lors de l'utilisation de ce produit.**
- **Protection respiratoire.** Porter un masque facial ou un masque anti-poussière si le travail produit de la poussière. Le respect de cette consigne réduira les risques de blessures graves.
- **Protection auditive.** Porter une protection auditive lors de l'utilisation prolongée. Le respect de cette règle réduira les risques de blessures graves.
- **Les outils fonctionnant sur piles n'ayant pas besoin d'être branchés sur une prise secteur, ils sont toujours en état de fonctionnement.** Tenir compte des dangers possibles lorsque l'outil n'est pas en usage et lors du remplacement des piles. Le respect de cette consigne réduira les risques d'incendie, de choc électrique et de blessures graves.
- **En cas d'usage abusif, du liquide peut s'échapper des batteries. Éviter tout contact avec ce liquide.** En cas de contact accidentel, rincer immédiatement les parties atteintes avec de l'eau. Si le liquide pénètre dans vos yeux, il faut aussi consulter un médecin. Le liquide s'échappant des batteries peut causer des irritations ou des brûlures.
- **Ne pas utiliser un bloc-piles ou un appareil endommagé ou modifié.** Le bris ou la modification du bloc-piles peut causer un comportement imprévisible et causer un incendie, une explosion ou des blessures.
- **Ne pas exposer le bloc-piles ou l'outil à un feu ou à des températures excessives.** Une exposition à un incendie ou à une température supérieure à 130 °C (265 °F) peut provoquer une explosion.
- **Suivre toutes les instructions afférentes à la recharge et ne pas recharger le bloc-piles ou l'appareil dans des emplacements où la température est inférieure 10 °C (50 °F) à ou supérieure à 38 °C (100 °F).** Une recharge incorrecte ou hors des températures spécifiées peut endommager la pile et augmenter les risques de feu.
- **Ne modifiez pas ou n'essayez jamais de réparer l'appareil ou le bloc de batterie, sauf comme indiqué dans les instructions d'utilisation et d'entretien.**
- **Ne pas placer les outils motorisés sans fil ou leurs piles à proximité de flammes ou d'une source de chaleur.** Ceci réduira les risques d'explosion et de blessures.
- **Ne pas exposer les outils motorisés à la pluie ou l'humidité.** La pénétration d'eau dans ces outils accroît le risque de choc électrique.
- **Porter des pantalons longs, des bottes et des gants.** Éviter de porter des vêtements lâches ou des bijoux qui pourraient être pris dans les pièces en mouvement de la machine ou le moteur.
- **Ne pas faire fonctionner l'équipement pied nus ou en portant des sandales ou des chaussures légères similaires.** Porter des chaussures de protection qui protègent les pieds et améliorent l'équilibre sur des surfaces glissantes.
- **Se tenir bien campé et en équilibre. Ne pas travailler hors de portée de l'outil.** Cette façon de travailler pourrait vous faire perdre l'équilibre. Faire preuve de prudence pour éviter de glisser ou tomber.
- **Examiner la zone de travail avant chaque utilisation.** La débarrasser de tous les objets tels que cailloux, verre brisé, clous, fils métalliques, cordes, etc. risquant d'être projetés ou de se prendre dans la machine.
- **Ne pas diriger la soufflante vers des personnes ou un animaux.**
- **Ne jamais utiliser la soufflante sans les accessoires appropriés installés.** Les tubes doivent toujours être en place.
- **Lorsqu'il n'est pas utilisé, l'outil doit être rangé à l'intérieur dans un endroit sec et sous verrou, hors de la portée des enfants.**
- **Éviter que la gâchette ne soit appuyée lors de la suspension de l'appareil.**
- **Garder tous les badauds, enfants et animaux domestiques à une distance d'au moins 15 m (50 pi).**
- **Ne pas jeter de bloc-piles gravement endommagé ou usé et ce souffleur dans un feu. La pile incendiée peut exploser.**
- Arrêter le moteur, attendre que toutes les pièces en mouvement cessent de bouger et retirer le bloc-piles avant tout nettoyage ou entretien.
- **Ne jamais utiliser de l'eau ou une autre liquide pour nettoyer ou rincer la produit et n'exposez pas à la pluie ou conditions l'humidité. La remiser à l'intérieur dans un endroit sec.** Les liquides corrosifs, l'eau et les produits chimiques peuvent s'infiltrer dans le composants électroniques et/ou le compartiment de la pile et endommager les composants électroniques et/ou le bloc-pile, ce qui peut entraîner un court-circuit, augmenter le risque d'incendie ou des blessures corporelles graves. Enlever toute accumulation de la saleté et les débris sur la produit de temps en temps avec un linge sec.
- **Le service d'outil doit être seulement exécuté par le personnel de réparation qualifié.** Entretenir ou l'entretien exécuté par le personnel incompetent peut avoir pour résultat un risque de blessure.
- **En entretenant un outil, un usage un remplacement seulement identique sépare.** Suivre des instructions dans la section d'Entretien de ce manuel. L'usage de parties ou l'échec inautorisées pour suivre les Instructions d'Entretien peuvent créer un risque de choc ou de blessure.
- **Ne jamais utiliser la soufflante à proximité de flammes, d'un foyer, de cendres chaudes, d'un grill, etc.** Ne pas respecter cette directive peut faire en sorte que les flammes se propagent, ce qui peut causer des blessures ou des dommages à la propriété.
- **Ne jamais utiliser la soufflante pour répandre des produits chimiques, des fertilisants ou toute autre substance toxique.** Le fait de répandre ces substances peut faire en sorte d'infliger des blessures à l'utilisateur ou à des tierces personnes.
- **Ne jamais placer la soufflante en marche sur une surface, sauf si celle-ci est dure et propre.** Le gravier, le sable et les autres débris peuvent être aspirés dans l'entrée d'air et projetés en direction de l'utilisateur ou des personnes à proximité, ce qui peut entraîner des blessures graves.
- **Pour usage domestique seulement.**
- **Conserver ces instructions.** Les consulter fréquemment et les utiliser pour instruire les autres utilisateurs éventuels. Si cet outil est prêté, il doit être accompagné de ces instructions.












## CONSERVER CES INSTRUCTIONS

# SYMBOLES

Les termes de mise en garde suivants et leur signification ont pour but d'expliquer le degré de risques associé à l'utilisation de ce produit.

SYMBOLE	SIGNAL	SIGNIFICATION
	<b>DANGER :</b>	Indique une situation dangereuse qui, si elle n'est pas évitée, aura pour conséquences des blessures graves ou mortelles.
	<b>AVERTISSEMENT :</b>	Indique une situation dangereuse qui, si elle n'est pas évitée, pourrait entraîner des blessures graves ou mortelles.
	<b>ATTENTION :</b>	Indique une situation dangereuse qui, si elle n'est pas évitée, pourrait entraîner des blessures légères ou de gravité modérée.
	<b>AVIS :</b>	(Sans symbole d'alerte de sécurité) Indique les informations jugées importantes sans toutefois représenter un risque de blessure (ex. : messages concernant les dommages matériels).

Certains des symboles ci-dessous peuvent être utilisés sur produit. Veiller à les étudier et à apprendre leur signification. Une interprétation correcte de ces symboles permettra d'utiliser produit plus efficacement et de réduire les risques.

SYMBOLE	NOM	DÉSIGNATION / EXPLICATION
	Symbole d'alerte de sécurité	Indique un risque de blessure potentiel.
	Lire le manuel d'utilisation	Pour réduire les risques de blessures, l'utilisateur doit lire et veiller à bien comprendre le manuel d'utilisation avant d'utiliser ce produit.
	Protection oculaire et auditive	Toujours porter une protection oculaire avec écrans latéraux certifiée conforme à la norme ANSI Z87.1 ainsi qu'une protection auditive.
	Pales de ventilateur	Les pales de ventilateur en rotation peuvent causer des blessures graves
	Avertissement concernant l'humidité	Ne pas exposer à la pluie ou l'humidité.
	Ne laisser personne s'approcher	Garder les badauds à une distance de 15 m (50 pi) minimum.
	Cheveux longs	Ne pas garder les cheveux longs à l'écart de l'entrée d'air peut entraîner des blessures.
	Tube de soufflante	Ne pas utiliser sans le tube en place.
	Vêtements amples	Ne pas garder les vêtements amples à l'écart de l'entrée d'air peut entraîner des blessures.
	Ricochet	Les objets projetés peuvent ricocher et infliger des blessures ou causer des dommages matériels.
	Symbole de recyclage	Ce produit utilise les piles de lithium-ion (Li-ion). Les réglementations locales ou gouvernementales peuvent interdire de jeter les piles dans les ordures ménagères. Consulter les autorités locales compétentes pour les options de recyclage et/ou l'élimination.



# SYMBOLES

Certains des symboles ci-dessous peuvent être utilisés sur produit. Veiller à les étudier et à apprendre leur signification. Une interprétation correcte de ces symboles permettra d'utiliser produit plus efficacement et de réduire les risques.

SYMBOLE	NOM	DÉSIGNATION / EXPLICATION
V	Volts	Tension
min	Minutes	Temps
—	Courant continu	Type ou caractéristique du courant
$n_0$	Vitesse à vide	Vitesse de rotation à vide
.../min	Par minute	Tours, coups, vitesse périphérique, orbites, etc., par minute

# CARACTÉRISTIQUES

## FICHE TECHNIQUE

Moteur ..... 18 V c.c.  
Vitesse de l'air ..... 100 MPH  
Volume d'air ..... 280 pi<sup>3</sup>/min

## APPRENDRE À CONNAÎTRE LA SOUFFLANTE

*Voir la figure 1.*

La sécurité d'utilisation de ce produit exige la compréhension des informations apposées sur l'outil et contenues dans ce manuel d'utilisation, ainsi que la connaissance du travail à exécuter. Avant d'utiliser ce produit, se familiariser avec toutes ses fonctions et règles de sécurité.

## TUBE DE SOUFFLANTE

Le tube de la soufflante s'installe facilement sur la soufflante sans outils.

## SUSPENSION DE TROU CLÉ

L'attache intégrée vous permet d'entreposer votre élément simplement et en toute sécurité.

## POIGNÉE SURMOULÉS

Poignée ergonomique avec surmoulage pour un plus grand confort et une meilleure prise

## GÂCHETTE À VARIATION DE VITESSE

La gâchette avec variation de vitesse procurera des vitesses plus élevées si une pression accrue est exercée et des vitesses moins élevées dans le cas d'une pression réduite.

# ASSEMBLAGE

## DÉBALLAGE

Ce produit nécessite l'assemblage.

- Avec précaution, sortir le produit et les accessoires de la boîte. S'assurer que toutes les pièces figurant sur la liste de contrôle sont incluses.

### **⚠ AVERTISSEMENT :**

Ne pas utiliser le produit si, en le déballant, vous constatez que des éléments figurant dans la liste d'expédition sont déjà assemblés. Certaines pièces figurant sur cette liste n'ont pas été assemblées par le fabricant et exigent une installation. Le fait d'utiliser un produit qui a été assemblé de façon inadéquate peut entraîner des blessures.

- Examiner soigneusement le produit pour s'assurer que rien n'a été brisé ou endommagé en cours de transport.
- Ne pas jeter les matériaux d'emballage avant d'avoir soigneusement examiné l'outil et avoir vérifié qu'il fonctionne correctement.
- Si des pièces sont manquantes ou endommagées, appeler le 1-800-860-4050.

## LISTE DE CONTRÔLE D'EXPÉDITION

Soufflante

Tube de soufflante

Manuel d'utilisation

### **⚠ AVERTISSEMENT :**

Si des pièces manquent ou sont endommagées, ne pas utiliser ce produit avant qu'elles aient été remplacées. Le fait d'utiliser ce produit même s'il contient des pièces endommagées ou s'il lui manque des pièces peut entraîner des blessures graves.

### **⚠ AVERTISSEMENT :**

Ne pas essayer de modifier cet outil ou de créer des accessoires non recommandés pour l'outil. De telles altérations ou modifications sont considérées comme un usage abusif et peuvent créer des conditions dangereuses, risquant d'entraîner des blessures graves.

### **⚠ AVERTISSEMENT :**

Pour empêcher un démarrage accidentel pouvant entraîner des blessures graves, toujours retirer le bloc de pile de l'outil avant d'assembler des pièces.

## ASSEMBLAGE DES TUBES DE LA SOUFFLANTE

Voir la figure 2.

- Orienter la zone du logo vers le haut et faire glisser le tube de soufflante sur la prise du boîtier de la soufflante.
- Appuyer sur la languette de la prise du boîtier de la soufflante.
- Pousser la tube de soufflante sur la prise du boîtier de la soufflante jusqu'à ce languette se verrouille en place par la fente du tube de soufflante.
- Pour retirer la tube de la soufflante, appuyer sur la languette et glisser la tube non.

# UTILISATION

## **⚠ AVERTISSEMENT :**

Ne pas laisser la familiarité avec ce produits faire oublier la prudence. Ne pas oublier qu'une fraction de seconde d'inattention peut entraîner des blessures graves.

## **⚠ AVERTISSEMENT :**

Toujours porter une protection oculaire avec écrans latéraux certifiée conforme à la norme ANSI Z87.1 ainsi qu'un protection auditive. Si cette précaution n'est pas prise, des objets peuvent être projetés dans les yeux et causer des lésions graves.

## **⚠ AVERTISSEMENT :**

Ne pas utiliser d'outils ou accessoires non recommandés par le fabricant pour ce produit. L'utilisation de pièces et accessoires non recommandés peut entraîner des blessures graves.

## **AVIS :**

Avant chaque utilisation, inspecter au complet le produit afin de s'assurer qu'aucune pièce (vis, écrous, boulons, chapeaux, etc.) n'est endommagée, manquante ou desserrée. Serrer solidement toutes les pièces de fixation et les chapeaux et ne pas utiliser le produit tant que toutes les pièces manquantes ou endommagées n'ont pas été remplacées. Pour obtenir de l'aide, veuillez communiquer avec le service à la clientèle ou un centre de réparations qualifié.

## **APPLICATIONS**

Ce produit peut être utilisé pour les applications ci-dessous :

- Élimination des feuilles et d'autres débris des pelouses
- Élimination de les brins d'herbe, feuilles, aiguilles de pin, et d'autres débris des terrasses et allées de garage

## **RETRAIT / INSTALLATION DU BLOC-PILES**

*Voir la figure 3.*

## **⚠ AVERTISSEMENT :**

Toujours retirer la pile de l'outil au moment d'assembler des pièces, d'effectuer des réglages et de procéder au nettoyage, ou lorsque l'outil n'est pas utilisé. Le fait de retirer la pile permet d'empêcher un démarrage accidentel pouvant entraîner des blessures graves.

### **Installation :**

- Insérer le bloc-piles dans le soufflante. Aligner la nervure en saillie du bloc-piles sur la rainure du logement du soufflante.
- S'assurer que ses deux loquets latéraux s'engagent correctement et vérifier que le bloc-piles est solidement assujetti avant d'utiliser l'outil.

## **AVIS :**

Lors de l'installation du bloc-piles, veiller à ce que sa nervure s'aligne sur le fond de l'outil et se verrouille en place. Une insertion incorrecte du bloc-piles peut causer des dommages aux composants internes.

### **Retrait :**

- Appuyer sur les loquets se trouvant sur les côtés du bloc-piles pour le séparer du soufflante.

## **⚠ AVERTISSEMENT :**

Les outils à piles sont toujours en état de fonctionnement. Il est donc nécessaire de toujours verrouiller la gâchette et de garder ensuite les mains à l'écart du bouton de verrouillage lorsque l'outil n'est pas utilisé. Retirer la pile au moment de transporter le soufflante afin d'éviter un démarrage accidentel qui pourrait entraîner des blessures graves.

Pour prendre connaissance des consignes de chargement, consulter le manuel d'utilisation des piles et des chargeurs.

## **MISE EN MARCHÉ ET ARRÊT DE LA SOUFFLANTE**

*Voir la figure 4.*

- Pour démarrer la soufflante, appuyer sur la gâchette.
- Pour arrêter la soufflante, relâcher la gâchette.

# UTILISATION

## UTILISATION DE LA SOUFFLANTE

Voir la figure 5.

- Pour éviter d'éparpiller les débris, souffler autour des bords des tas. Ne jamais souffler directement vers le centre d'un tas.
- Pour réduire le niveau sonore, limiter le nombre d'outils motorisés utilisés en même temps.
- Utilisez des râteliers des pelles pour séparer les débris avant de les souffler. Dans un environnement poussiéreux, humidifier légèrement les surfaces si de l'eau est disponible.
- Conserver l'eau en utilisant des soufflantes motorisées au lieu de tuyaux d'arrosage, pour nombre de travaux de nettoyage tels que celui des gouttières, moustiquaires, patios, grills, porches et jardins.

- Prêter attention aux enfants, animaux, fenêtres ouvertes ou véhicules fraîchement lavés et souffler les débris en direction opposée.
- Après utilisation de la soufflante ou de tout autre équipement, NETTOYER ! Éliminer les débris selon une méthode appropriée.

### **AVERTISSEMENT :**

Les outils à piles sont toujours en état de fonctionnement. Il est donc nécessaire de toujours verrouiller l'interrupteur lorsque l'outil n'est pas en usage et pendant son transport.

# ENTRETIEN

### **AVERTISSEMENT :**

Pour empêcher un démarrage accidentel pouvant entraîner des blessures graves, toujours retirer le bloc de pile de le produit avant tout nettoyage ou entretien.

### **AVERTISSEMENT :**

Toujours porter une protection oculaire avec écrans latéraux certifiée conforme à la norme ANSI Z87.1 ainsi qu'une protection auditive. Si cette précaution n'est pas prise, des objets peuvent être projetés dans les yeux et causer des lésions graves.

### **AVERTISSEMENT :**

Utiliser exclusivement des pièces d'origine pour les réparations. L'usage de toute autre pièce pourrait créer une situation dangereuse ou endommager l'outil.

### **AVIS :**

Inspecter périodiquement au complet le produit afin de s'assurer qu'aucune pièce (vis, écrous, boulons, chapeaux, etc.) n'est endommagée, manquante ou desserrée. Serrer solidement toutes les pièces de fixation et les chapeaux et ne pas utiliser le produit tant que toutes les pièces manquantes ou endommagées n'ont pas été remplacées. Pour obtenir de l'aide, veuillez communiquer avec le Service à la clientèle ou un centre de réparations qualifié.

## ENTRETIEN GÉNÉRAL

Éviter d'utiliser des solvants pour le nettoyage des pièces en plastique. La plupart des matières plastiques peuvent être endommagées par divers types de solvants du commerce. Utiliser un chiffon propre pour éliminer la saleté, la poussière, l'huile, la graisse, etc.

### **AVERTISSEMENT :**

Ne jamais laisser de liquides tels que le fluide de freins, l'essence, les produits à base de pétrole, les huiles pénétrantes, etc., entrer en contact avec les pièces en plastique. Les produits chimiques peuvent endommager, affaiblir ou détruire le plastique, ce qui peut entraîner des blessures graves.

## REMISAGE

- Nettoyer soigneusement la soufflante.
- La remettre à l'intérieur, inaccessible aux enfants. La tenir à l'écart de produits corrosifs, tels que les produits chimiques de jardinage et le sel de dégivrage.
- Éviter que la gâchette ne soit appuyée lors de la suspension de l'appareil.

**Ce produit est accompagné d'une garantie limitée de trois (3) ans pour utilisation personnel, familiales ou domestiques (90 jours pour utilisation affaires ou commerciaux). Pour obtenir les détails de la garantie, visiter le site [www.ryobitools.com](http://www.ryobitools.com) ou appeler (sans frais) au 1-800-860-4050.**

# INSTRUCCIONES IMPORTANTES DE SEGURIDAD

Cuando se usa un electrodoméstico, las precauciones básicas siempre se deben seguir, inclusive lo siguiente:

## ¡ADVERTENCIA!

**LEA Y COMPRENDA TODAS LAS INSTRUCCIONES ANTES DE UTILIZAR ESTE FUELLE.** Para reducir el riesgo de calambre, el fuego y/o la herida personal grave.

- **Familiarícese con su sopladora eléctrica. Lea cuidadosamente el manual del operador. Aprenda sus usos y limitaciones, así como los posibles peligros específicos de esta sopladora.** Con el cumplimiento de esta regla se reduce el riesgo de una descarga eléctrica, incendio o lesión seria.
- **No permita que los niños usen la sopladora.** No es un juguete. Debe tenerse extrema precaución cuando se use cerca de niños.
- **Sólo utilice accesorios recomendados por el fabricante para cada modelo en particular se describe en este manual.** Accesorios que pueden ser adecuados para una sopladora pueden significar un riesgo de lesiones si se emplean con otra sopladora. Sólo utilice el producto de la forma descrita en este manual.
- **No manipule el cargador, incluso la clavija del cargador y las terminales del cargador, con las manos mojadas.**
- **No coloque ningún objeto en las aberturas. No la utilice con ninguna abertura bloqueada; manténgalas libres de polvo, pelusa, pelo y cualquier cosa que pueda reducir el flujo de aire.**
- **No cargue la unidad en el exterior.**
- **Mantenga el cabello, la ropa holgada, los dedos y todas las partes del cuerpo alejados de las aberturas y piezas móviles de la unidad.**
- **Apague todos los controles antes de extraer la pila.**
- **Tenga especial cuidado al limpiar escaleras o escalones.**
- **No utilice sopladoras en entornos explosivos, como los existentes alrededor de líquidos, gases y polvos inflamables.** La sopladoras eléctricas generan chispas que pueden encender el polvo y los vapores inflamables.
- **Mantenga limpia y bien iluminada el área de trabajo.** Una mesa de trabajo desordenada y una mala iluminación son causas comunes de accidentes.
- **Mantenga alejados a transeúntes, niños y demás presentes por lo menos a 15 metros (50 pies) de distancia al utilizar una sopladora eléctrica.** Toda distracción puede causar la pérdida del control de la sopladora.
- **Toda sopladora que utiliza baterías, ya sea integradas o separadas, debe recargarse únicamente con el cargador especificado para la batería.** Un cargador que puede ser adecuado para un tipo de batería puede significar un riesgo de incendio si se emplea con otro tipo de batería.
- **Utilice la sopladoras activadas con baterías únicamente con la batería específicamente indicada.** El empleo de otras baterías puede presentar un riesgo de incendio.
- **Usar este producto únicamente con la baterías y el cargadores indicados en el folleto de la herramienta/aparato/paquete de baterías/cargador complementario 987000-432.**
- **No utilice la cargador si está dañado el cable o la clavija, ya que podría causar un cortocircuito y una descarga eléctrica.** Si el cargador se encuentra dañado, un técnico de centro de servicio autorizado.
- **Si el aparato de mano no está funcionando adecuadamente, se dejó caer, se dañó, se dejó a la intemperie, o se dejó caer dentro del agua, regrésela al centro de servicio autorizado.**
- **Permanezca alerta, preste atención a lo que esté haciendo y aplique su sentido común al utilizar la sopladora eléctrica. No utilice la sopladora si está cansado, trastorno o se encuentra bajo los efectos de alguna droga, alcohol o medicamento.** Un momento de inatención al utilizar la sopladora eléctrica puede causar lesiones corporales de gravedad.
- **Recójase el cabello si lo tiene largo, de manera que le quede arriba de los hombros para evitar que se enrede en las piezas en movimiento.**
- **Evite el arranque accidental de la unidad. Asegúrese de que el interruptor esté en la posición de aseguramiento o de apagado antes de instalar la batería.** Llevar la sopladoras con el dedo en el interruptor o instalar la batería en la sopladora con el interruptor activado es causa común de accidentes.
- **Póngase equipo de seguridad. Siempre póngase protección ocular.** Cuando lo exijan las circunstancias, debe ponerse careta contra el polvo, zapatos de seguridad antiderrapantes, casco y protección auditiva.
- **No vista ropas holgadas ni porte joyas. Recójase el cabello si está largo.** Las ropas holgadas y las joyas, así como el cabello largo, pueden resultar atraídas hacia el interior de las ventilas.
- **No utilice la unidad al estar en una escalera, en el tejado, en el árbol, o en un soporte inestable.** Una postura estable sobre una superficie sólida permite un mejor control de la sopladora en situaciones inesperadas.
- **No utilice la sopladora si el interruptor no la enciende ni apaga.** Una sopladora que no puede controlarse con el interruptor es peligrosa y debe repararse.
- **Antes de efectuar ajustes, de cambiar accesorios o de guardar la sopladora, desconecte la batería de la sopladora.** Tales medidas preventivas de seguridad reducen el riesgo de poner en marcha accidentalmente la sopladora.
- **Cuando no esté usando la batería, manténgala alejada de objetos metálico tales como: clips, monedas, llaves, clavos, tornillos y otros objetos metálicos pequeños que puedan establecer una conexión entre ambos terminales.** Al establecer una conexión directa entre los dos terminales se puede causar chispas, quemaduras o incendios.
- **Revise si las piezas móviles están desalineadas o atoradas, si hay piezas rotas o toda otra condición que pudiese afectar el funcionamiento de la sopladora. Si se daña la sopladora, llévela a servicio antes de volver a utilizarla.** Numerosos accidentes son causados por sopladoras mal cuidadas.
- **Mantenga la sopladora y su mango secos, limpios y sin aceite ni grasa.** Siempre utilice un paño limpio para la limpieza de la unidad. Nunca utilice fluidos para frenos, gasolina, productos a base de petróleo ni solventes fuertes para limpiar la sopladora. Con el cumplimiento de esta regla se reduce el riesgo de una pérdida de control y el deterioro de la carcasa de plástico de la unidad.
- **Siempre use gafas de seguridad con protección lateral.** Los anteojos comunes sólo tienen lentes resistentes a los impactos.



# INSTRUCCIONES IMPORTANTES DE SEGURIDAD

NO son anteojos de seguridad. Con el cumplimiento de esta regla se reduce el riesgo de posibles lesiones oculares.




- **Siempre póngase protección ocular con la marca de cumplimiento de la norma ANSI Z87.1 junto con protección auditiva.**
- **Protéjase los pulmones. Use una careta o mascarilla contra el polvo si la operación genera mucho polvo.** Con el cumplimiento de esta regla se reduce el riesgo de lesiones corporales serias.
- **Protéjase los oídos. Durante períodos prolongados de utilización del producto, póngase protección para los oídos.** Con el cumplimiento de esta regla se reduce el riesgo de lesiones corporales serias.
- **Las sopladoras de baterías no se necesitan conectar a una toma de corriente; por lo tanto, siempre están en condiciones de funcionamiento. Esté consciente de los posibles peligros cuando no esté usando la sopladora de baterías o cuando esté cambiando los accesorios de la misma.** Con el cumplimiento de esta regla se reduce el riesgo de una descarga eléctrica, incendio o lesión corporal seria.
- **Si se maltratan las baterías, puede derramarse líquido de las mismas; evite todo contacto con éste.** En caso de contacto, lávese con agua. Si el líquido llega a tocar los ojos, además busque atención médica. El líquido que sale despedido de la batería puede causar irritaciones o quemaduras.
- **No utilice un paquete de baterías o un artefacto que esté dañado o modificado.** Las baterías dañadas o modificadas pueden tener un funcionamiento impredecible que provoque incendios, explosiones o riesgo de lesiones.
- **No exponga el paquete de baterías o el artefacto al fuego o a temperaturas excesivas.** La exposición al fuego o a temperatura sobre los 130 °C (265 °F) puede provocar explosiones.
- **Siga todas las instrucciones de carga y no cargue el paquete de baterías ni el aparato en lugares donde la temperatura sea inferior a 10 °C (50 °F) o superior a 38 °C (100 °F).** Si realiza la carga en forma incorrecta o fuera de las temperaturas del rango especificado puede dañar la batería y aumentar el riesgo de incendios.
- **No modifique ni intente reparar el dispositivo o el paquete de baterías, excepto según se indica en las instrucciones de uso y mantenimiento.**
- **No coloque sopladoras de baterías ni las baterías mismas cerca del fuego o del calor.** De esta manera se reduce el riesgo de explosiones y de lesiones.
- **No exponga las sopladoras eléctricas a la lluvia ni a condiciones de humedad.** La introducción de agua en una sopladora eléctrica aumenta el riesgo de descargas eléctricas.
- **Póngase pantalones, botas y guantes gruesos.** Evite ropas holgadas o joyas que pudieran resultar atrapadas en piezas móviles de la máquina o del motor.
- **No accione el equipo cuando esté descalzo o al llevar puestas sandalias o calzado liviano similar.** Use calzado de seguridad que le proteja sus pies y mejore su postura en superficies resbaladizas.
- **Mantenga los pies bien afirmados y el equilibrio.** No trate de alcanzar demasiado lejos. Se puede perder el equilibrio al tratar de alcanzar demasiado lejos.

- **Revise el área de trabajo cada vez antes de utilizar esta sopladora.** Retire todos los objetos como piedras, vidrio roto, clavos, alambre o cuerda que puedan salir disparados o enredarse en la máquina.
- **No apunte la boquilla de la sopladora hacia personas o mascotas.**
- **Nunca utilice la unidad sin el equipo adecuado instalado.** Siempre asegúrese de instalar los tubos de la sopladora.
- **Mientras no se esté utilizando, la sopladora debe almacenarse en el interior, en un sitio seco y bajo llave, lejos del alcance de los niños.**
- **No cuelgue la unidad de una manera que el gatillo quede presionado.**
- **Mantenga a todos los circunstantes, niños y animales por lo menos a 15 metros (50 pies) de distancia.**
- **No incinere esta sopladora o un paquete de baterías desgastado o dañado seriamente.** La batería puede explotar si se la expone al fuego.
- **Apague el motor, espere hasta que todas las piezas se detengan y retire la paquete de baterías antes de limpiarla o darle mantenimiento.**
- **Nunca use agua ni otros líquidos para limpiar o enjuagar la product y no exponga la unidad a la lluvia ni de condiciones húmedas. Almacene la unidad en el interior en un lugar seco.** Los líquidos corrosivos, el agua, y los productos químicos pueden ingresar los componentes eléctricos del producto y/o al compartimiento de la batería y dañar los componentes eléctricos o el paquete de la batería, lo que podría resultar en un corto circuito, mayor riesgo de incendio y lesiones personales graves. Retire la acumulación de suciedad y los residuos limpiando el producto con un trapo seco de manera ocasional.
- **El servicio del instrumento debe ser realizado sólo por personal calificado de reparación.** Atienda a o la conservación realizada por el personal sin título puede tener como resultado un riesgo de la herida.
- **Al atender a un instrumento, el uso el reemplazo sólo idéntico despide.** Siga las instrucciones en la sección de la Conservación de este manual. El uso de partes o fracaso no autorizados seguir la Conservación las Instrucciones pueden crear un riesgo del golpe o la herida.
- **Nunca utilice el soplador cerca del fuego, chimeneas, cenizas al rojo vivo, asadores, etc.** El uso cerca del fuego o las cenizas calientes puede propagar incendios y producir lesiones serias y/o daños a los bienes.
- **Nunca use una sopladora para esparcir productos químicos, fertilizantes ni ninguna otra sustancia tóxica.** Esparcir estas sustancias podría producir lesiones serias al operador o a las personas presentes.
- **Nunca coloque el soplador en ninguna superficie, excepto que sea una superficie dura y limpia cuando el motor se encuentra en funcionamiento.** Es posible que la entrada de aire recoja grava, arena y otros residuos y los arroje al operador o a los espectadores, lo que puede causar lesiones serias.
- **Para uso doméstico únicamente.**
- **Guarde estas instrucciones.** Consúltelas con frecuencia y empléelas para instruir a otras personas que puedan utilizar esta herramienta. Si presta a alguien esta herramienta, facilítele también las instrucciones con el fin de evitar un uso indebido del producto y posibles lesiones.












## GUARDE ESTAS INSTRUCCIONES

# SÍMBOLOS

Las siguientes palabras de señalización y sus significados tienen el objeto de explicar los niveles de riesgo relacionados con este producto.

SÍMBOLO	SEÑAL	SIGNIFICADO
	<b>PELIGRO:</b>	Indica una situación peligrosa, la cual, si no se evita, causará la muerte o lesiones serias.
	<b>ADVERTENCIA:</b>	Indica una situación peligrosa, la cual, si no se evita, podría causar la muerte o lesiones serias.
	<b>PRECAUCIÓN:</b>	Indica una situación peligrosa, la cual, si no se evita, podría causar lesiones menores o leves.
	<b>AVISO:</b>	(Sin el símbolo de alerta de seguridad) Indica la información que se considera importante, pero no relacionada con lesiones potenciales (por ej. en relación a daños a la propiedad).

Es posible que se empleen en este producto algunos de los siguientes símbolos. Le suplicamos estudiarlos y aprender su significado. Una correcta interpretación de estos símbolos le permitirá utilizar mejor y de manera más segura el producto.

SÍMBOLO	NOMBRE	DENOMINACIÓN/EXPLICACIÓN
	Alerta de seguridad	Indica un peligro posible de lesiones personales.
	Lea el manual del operador	Para reducir el riesgo de lesiones, el usuario debe leer y comprender el manual del operador antes de usar este producto.
	Protección para los ojos y oídos	Siempre póngase protección ocular con protección lateral con la marca de cumplimiento de la norma ANSI Z87.1 junto con protección auditiva.
	Hojas del impulsor	Las hojas giratorias del impulsor pueden causar graves lesiones
	Alerta de condiciones húmedas	No exponga la unidad a la lluvia ni la use en lugares húmedos.
	Mantenga alejadas a las personas presentes	Mantenga a los circunstantes a una distancia mínima de 15 m (50 pies).
	Cabello largo	Si no mantiene el cabello largo lejos de la entrada de aire, puede producirse lesiones.
	Tubo de la sopladora	No utilice la unidad sin el tubo montados en su lugar.
	Ropa holgada	Si no impide que la entrada de aire succione la ropa holgada, puede producirse lesiones.
	Rebote	Cualquier objeto lanzado puede rebotar y producir lesiones personales o daños materiales.
	Símbolo de reciclado	Este producto contiene baterías de iones de litio (Li-ion). Es posible que algunas leyes municipales, estatales o federales prohíban desechar las baterías en la basura normal. Consulte a las autoridades reguladoras de desechos para obtener información en relación con las alternativas de reciclado y desecho disponibles.

# SÍMBOLOS

Es posible que se empleen en este producto algunos de los siguientes símbolos. Le suplicamos estudiarlos y aprender su significado. Una correcta interpretación de estos símbolos le permitirá utilizar mejor y de manera más segura el producto.

SÍMBOLO	NOMBRE	DENOMINACIÓN/EXPLICACIÓN
V	Volts	Voltaje
min	Minutos	Tiempo
==	Corriente continua	Tipo o característica de corriente
$n_0$	Velocidad en vacío	Velocidad de rotación, en vacío
.../min	Por minuto	Revoluciones, carreras, velocidad superficial, órbitas, etc., por minuto

# CARACTERÍSTICAS

## ESPECIFICACIONES DEL PRODUCTO

Motor..... 18 V, corr. cont.  
Velocidad del aire ..... 100 MPH  
Volumen de aire..... 280 pies cúbicos/min.

## FAMILIARÍCESE CON LA SOPLADORA

*Vea la figura 1.*

Para usar este producto con la debida seguridad, se debe comprender la información indicada en la herramienta misma y en este manual, y se debe comprender también el trabajo que intenta realizar. Antes de usar este producto, familiarícese con todas las características de funcionamiento y normas de seguridad del mismo.

## TUBO DE LA SOPLADORA

El tubo de la sopladora puede instalarse fácilmente en la misma.

## SOPORTE BOCALLAVE

El soporte incorporado le permite almacenar la unidad fácil y cómodamente en un lugar seguro.

## MANGO SOBREMOLDEADO

Mango ergonómico sobremoldeado para mayor comodidad del usuario.

## GATILLO DEL INTERRUPTOR DE VELOCIDAD VARIABLE

El gatillo de velocidad variable produce mayor velocidad cuanta mayor presión se aplica en el gatillo, y menor velocidad cuanta menor presión se aplica en el mismo.

# ARMADO

## DESEMPAQUETADO

Este producto requiere armado.

- Extraiga cuidadosamente de la caja, el producto y los accesorios. Asegúrese de que estén presentes todos los artículos enumerados en la lista de empaquetado.

### **ADVERTENCIA:**

No utilice este producto si alguna pieza incluida en la lista de contenido ya está ensamblada al producto cuando lo desempaqueta. El fabricante no ensambla las piezas de esta lista en el producto. Éstas deben ser instaladas por el usuario. El uso de un producto que puede haber sido ensamblado de forma inadecuada podría causar lesiones personales graves.

- Inspeccione cuidadosamente el producto para asegurarse de que no haya sufrido ninguna rotura o daño durante el transporte.
- No deseche el material de empaquetado hasta que haya inspeccionado cuidadosamente el producto y la haya utilizado satisfactoriamente.
- Si hay piezas dañadas o faltantes, le suplicamos llamar al 1-800-860-4050 , donde le brindaremos asistencia.

## LISTA DE EMPAQUETADO

Sopladora

Tubo de la sopladora

Manual del operador

### **ADVERTENCIA:**

Si hay piezas dañadas o faltantes, no utilice este producto sin haber reemplazado todas las piezas. Usar este producto con partes dañadas o faltantes puede causar lesiones serias al operador.

### **ADVERTENCIA:**

No intente modificar este producto ni hacer accesorios no recomendados para la misma. Cualquier alteración o modificación constituye maltrato, el cual puede causar una condición peligrosa y como consecuencia, posibles lesiones corporales serias.

### **ADVERTENCIA:**

Para evitar un arranque accidental que podría causar lesiones corporales serias, siempre desmonte de la herramienta el paquete de baterías al montar piezas a aquélla.

## MONTAJE DE LOS TUBOS DE LA SOPLADORA

Vea la figura 2.

- Con el área del logotipo hacia arriba, deslice el de la sopladora de la sopladora sobre la salida en el alojamiento de la misma.
- Presione hacia abajo la lengüeta en de la salida en el alojamiento de la sopladora.
- Empuje hacia abajo el tubo de la sopladora en la salida del alojamiento de la sopladora hasta trabarla en su lugar a través de la ranura en el tubo de la sopladora.
- Para retirar el tubo de la sopladora, presione hacia abajo la lengüeta y deslice del tubo de alojamiento de la sopladora.

# FUNCIONAMIENTO

## **ADVERTENCIA:**

No permita que su familiarización con las sopladoras lo vuelva descuidado. Tenga presente que un descuido de un instante es suficiente para causar una lesión grave.

## **ADVERTENCIA:**

Siempre póngase protección ocular con protección lateral con la marca de cumplimiento de la norma ANSI Z87.1 junto con protección auditiva. La inobservancia de esta advertencia puede causar el lanzamiento de objetos hacia los ojos y otras lesiones graves.

## **ADVERTENCIA:**

No utilice ningún aditamento o accesorio no recomendado por el fabricante de esta sopladora. El empleo de aditamentos o accesorios no recomendados podría causar lesiones serias.

## **AVISO:**

Antes de cada uso, inspeccione todo el producto para detectar partes dañadas, faltantes o sueltas, como tornillos, tuercas, pernos, tapas, etc. Apriete firmemente todos los sujetadores y las tapas y no accione este producto hasta que todas las partes faltantes o dañadas sean reemplazadas. Póngase en contacto con el servicio al cliente o con un centro de servicio calificado para obtener ayuda.

## **USOS**

Esta sopladora puede emplearse para los fines enumerados abajo:

- Quitar hojas y otros desechos del jardín
- Mantener terrazas y caminos de entrada libres de recortes de hierba, hojas, agujas de pino y otros desechos del jardín

## **PARA DESMONTAR Y MONTAR EL PAQUETE DE BATERÍAS**

*Vea la figura 3.*

## **ADVERTENCIA:**

Retire siempre el paquete de baterías de la herramienta antes de instalar las piezas, realizar ajustes, limpiarla o cuando no la utilice. Retirar el paquete de baterías evitará que la unidad se accione accidentalmente y provoque lesiones graves.

### **Para conectar:**

- Coloque el paquete de baterías en la sopladora. Alinee la costilla realzada exterior del paquete de baterías con la ranura interior del receptáculo para pilas de la sopladora.
- Antes de empezar a utilizar la unidad, asegúrese de que los pestillos situados en ambos lados del paquete de baterías entren completamente en su lugar con un chasquido, y de que el paquete quede bien fijo en la sopladora.

## **AVISO:**

Al colocar el paquete de baterías en la herramienta, asegúrese que la costilla realzada del mismo quede alineada con la parte inferior de la herramienta y de que los pestillos entren adecuadamente en su lugar. Si no se instala debidamente el paquete de baterías pueden dañarse los componentes internos.

### **Para el desmontaje:**

- Localice los pestillos situados en el costado del paquete de baterías y oprímalos en ambos lados para liberar éste de la sopladora.

## **ADVERTENCIA:**

Las herramientas que funcionan a pilas siempre están en condiciones de funcionamiento. Por lo tanto, el interruptor de bloqueo debe estar asegurado y las manos deben estar alejados del botón de bloqueo cuando la unidad no esté en uso. Retire el paquete de pilas al transportar o trasladar la sopladora a fin de evitar arranques accidentales que pueden causar lesiones serias.

Para obtener instrucciones específicas de carga, lea el manual del operador que se incluye con el cargador y la batería.

# FUNCIONAMIENTO

## ENCENDIDO Y APAGADO DE LA SOPLADORA

Vea la figura 4.

- Para arrancar la sopladora, oprima el gatillo del interruptor.
- Para detener la sopladora, suelte el gatillo del interruptor.

## FUNCIONAMIENTO DE LA SOPLADORA

Vea la figura 5.

- Para evitar la dispersión de los desechos, apunte la sopladora hacia los bordes exteriores de un apilamiento de desechos. Nunca apunte la sopladora directamente al centro de una batería de desechos.
- Para reducir el nivel de ruido, limite a uno el número de equipos utilizados a la vez.
- Utilice rastrillos y escobas para aflojar los desechos antes de utilizar la sopladora. En condiciones polvorientas, cuando haya agua disponible, humedezca levemente las superficies.

- Conserve agua utilizando sopladores motorizados en lugar de mangueras para numerosos usos de jardinería, incluso para canalones, pantallas, patios, parrillas, porches y jardines.
- Esté al cuidado de niños, mascotas, ventanas abiertas o coches recién lavados, y sople los desechos de manera segura.
- Después de utilizar sopladores o cualquier otro equipo, ¡LIMPIE! Deseche de forma adecuada los desechos.

### **ADVERTENCIA:**

Las herramientas de baterías siempre están en condiciones de funcionamiento. Por lo tanto, siempre debe estar asegurado el interruptor cuando no esté usándose o el operador lo lleve por un lado.

# MANTENIMIENTO

### **ADVERTENCIA:**

Para evitar lesiones corporales serias, siempre retire el paquete de baterías de la herramienta al limpiarla o darle mantenimiento.

### **ADVERTENCIA:**

Siempre póngase protección ocular con protección lateral con la marca de cumplimiento de la norma ANSI Z87.1 junto con protección auditiva. Si no cumple esta advertencia, los objetos que salen despedidos pueden producirle lesiones serias en los ojos.

### **ADVERTENCIA:**

Al dar servicio a la unidad, sólo utilice piezas de repuesto idénticas. El empleo de piezas diferentes puede causar un peligro o dañar el producto.

### **AVISO:**

Inspeccione periódicamente todo el producto para detectar partes dañadas, faltantes o sueltas, como tornillos, tuercas, pernos, tapas, etc. Apriete firmemente todos los sujetadores y las tapas y no accione este producto hasta que todas las partes faltantes o dañadas sean reemplazadas. Póngase en contacto con el servicio al cliente o con un centro de servicio calificado para obtener ayuda.

## MANTENIMIENTO GENERAL

Evite el empleo de solventes al limpiar piezas de plástico. La mayoría de los plásticos son susceptibles a diferentes tipos de solventes comerciales y pueden resultar dañados. Utilice paños limpios para eliminar la suciedad, el polvo, el aceite, la grasa, etc.

### **ADVERTENCIA:**

No permita en ningún momento que fluidos para frenos, gasolina, productos a base de petróleo, aceites penetrantes, etc., lleguen a tocar las piezas de plástico. Las sustancias químicas pueden dañar, debilitar o destruir el plástico, lo cual a su vez puede producir lesiones corporales serias.

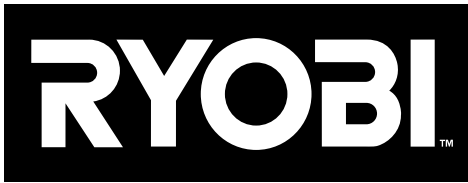
## ALMACENAMIENTO

- Limpie toda materia extraña presente en la sopladora.
- Almacene la unidad en el interior, inaccesible a los niños. Evite que la unidad entre en contacto con agentes corrosivos como las sustancias químicas para el jardín y las sales para derretir el hielo.
- No cuelgue la unidad de una manera que el gatillo quede presionado.

**Este producto tiene una garantía limitada de tres años para fines personales, familiares o domésticos (90 días para usos trabajo o comercial). Para obtener detalles sobre la garantía, diríjase a [www.ryobitools.com](http://www.ryobitools.com) o llame sin cargo al 1-800-860-4050.**







## OPERATOR'S MANUAL

MANUEL D'UTILISATION / MANUAL DEL OPERADOR

# 18 VOLT ONE+™ BLOWER

SOUFFLANTE 18 V ONE+™ / SOPLADORA DE 18 V ONE+™

P2108/P21081/P21081VN

- **PARTS AND SERVICE:** Prior to requesting service or purchasing replacement parts, please obtain your item, manufacturing, and serial numbers from the product data plate.

ITEM NO. \_\_\_\_\_

MANUFACTURING NO. \_\_\_\_\_

SERIAL NO. \_\_\_\_\_

**HOW TO OBTAIN REPLACEMENT PARTS:** Replacement parts can be purchased online at [www.ryobitools.com](http://www.ryobitools.com) or by calling 1-800-860-4050. Replacement parts can also be obtained at one of our service centers.

**HOW TO LOCATE A SERVICE CENTER:** Service centers can be located online at [www.ryobitools.com](http://www.ryobitools.com) or by calling 1-800-860-4050.

**HOW TO OBTAIN CUSTOMER OR TECHNICAL SUPPORT:** To obtain customer or technical support please contact us at 1-800-860-4050.

RYOBI is a registered trademark of Ryobi Limited and is used pursuant to a license granted by Ryobi Limited.

- **PIÈCES ET SERVICE :** Avant de faire la demande de service ou l'achat de pièces de remplacement, veuillez obtenir le numéro d'article, le numéro de fabrication et le numéro de série à partir de la plaque de données du produit.

NUMÉRO D'ARTICLE \_\_\_\_\_

NUMÉRO DE FABRICATION \_\_\_\_\_

NUMÉRO DE SÉRIE \_\_\_\_\_

**COMMENT OBTENIR LES PIÈCES DE REMPLACEMENT :** Les pièces de remplacement peuvent être achetées en ligne sur le site [www.ryobitools.com](http://www.ryobitools.com) ou par téléphone au 1-800-860-4050. Les pièces de remplacement peuvent être obtenues à un de nos centres de service.

**COMMENT TROUVER UN CENTRE DE SERVICE :** Les centres de service peuvent être localisés en ligne au [www.ryobitools.com](http://www.ryobitools.com) ou en téléphonant au 1-800-860-4050.

**COMMENT OBTENIR DE L'AIDE EN CONTACTANT LE SERVICE À LA CLIENTÈLE :** Pour contacter le service à la clientèle pour une question technique ou pour tout autre renseignement, veuillez nous téléphoner au 1-800-860-4050.

RYOBI est une marque déposée de Ryobi Limited et est utilisée en vertu d'une licence accordée par Ryobi Limited.

- **PIEZAS DE REPUESTO Y SERVICIO:** Antes de solicitar servicio técnico o comprar piezas de repuesto, obtenga su número de artículo, el número de fabricación y el número de serie de la placa de datos del producto.

NÚMERO DE ARTÍCULO \_\_\_\_\_

NÚMERO DE FABRICACIÓN \_\_\_\_\_

NÚMERO DE SERIE \_\_\_\_\_

**CÓMO OBTENER PIEZAS DE REPUESTO:** Las piezas de repuesto se pueden comprar en nuestro sitio en la red mundial, en la dirección [www.ryobitools.com](http://www.ryobitools.com) o llamando al 1-800-860-4050. Las piezas de repuesto también se pueden obtener en uno de nuestros centros de servicio.

**CÓMO LOCALIZAR UN CENTRO DE SERVICIO:** Puede encontrar los centros de servicio visitando nuestro sitio en la red mundial, en la dirección [www.ryobitools.com](http://www.ryobitools.com) or by calling 1-800-860-4050.

**CÓMO OBTENER SERVICIO O ASISTENCIA TÉCNICA AL CONSUMIDOR:** Para obtener servicio o asistencia técnica al consumidor, sírvase comunicarse con nosotros llamando al 1-800-860-4050.

RYOBI es una marca registrada de Ryobi Limited y se utiliza conforme a una licencia otorgada por Ryobi Limited.

## TECHTRONIC INDUSTRIES POWER EQUIPMENT

991000679  
12-19-18 (REV:04)

1428 Pearman Dairy Road, Anderson, SC 29625 USA  
1-800-860-4050 • [www.ryobitools.com](http://www.ryobitools.com)