

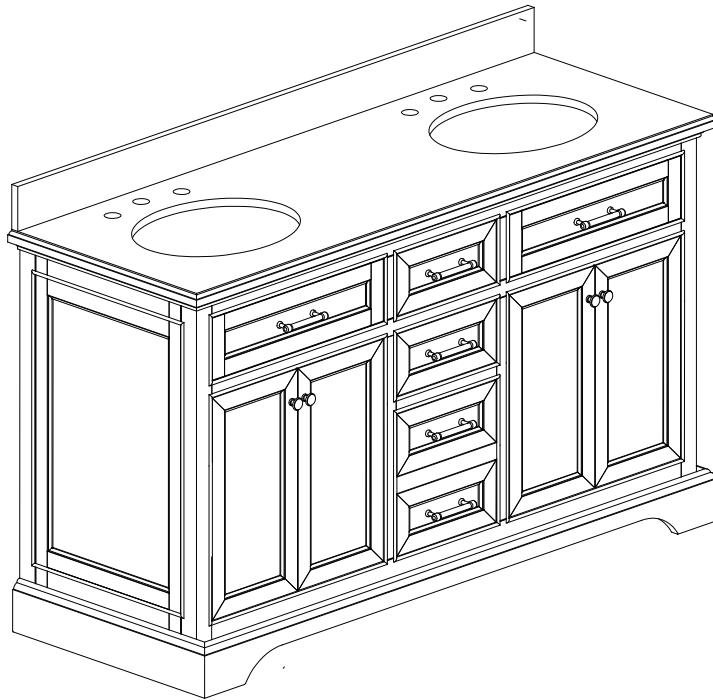
HOME
DECORATORS
COLLECTION

Item # : 1002927955

Model # : 15101-VS61C-SG

USE AND CARE GUIDE

Windlowe 61" single vanity combo



Questions, problems, missing parts? Before returning to the store,
call Home Decorators Collection Customer Service
8 a.m. – 7 p.m., EST, Monday – Friday, 9 a.m. – 6 p.m., EST, Saturday

1-800-986-3460

HOMEDEPOT.COM/HOMEDECORATORS

THANK YOU

We appreciate the trust and confidence you have placed in Home Decorators Collection through the purchase of this vanity combo.

We strive to continually create quality products designed to enhance your home.

Visit us online to see our full line of products available for your home improvement needs.

Thank you for choosing Home Decorators Collection!

Table of Contents

Table of Contents	2	Installation	4
Safety Information	2	Maintenance	5
Warranty	2	Care and Cleaning	5
LIMITED LIFETIME WARRANTY	2	Troubleshooting	5
What is Covered	2	Service Parts	6
What is Not Covered	2		
Pre-installation	3		
Planning Installation	3		
Tools Required	3		
Package Contents	3		

Safety Information



WARNING: Two people are required for safe installation. Take extra precautionary measures to ensure a secure grip on the vanity base and vanity top when lifting.



CAUTION: Do not use water that exceeds temperatures of 140°F/46°C.



CAUTION: The bathroom floor and wall must be finished prior to installation of the vanity combo.



CAUTION: Do not place any sharp or abrasive objects on the bare surface.

Warranty

LIMITED LIFETIME WARRANTY

WHAT IS COVERED

Homedecorators products are manufactured with superior quality standards and workmanship and are backed by our limited lifetime warranty. Homedecorators products are warranted to the original consumer purchaser to be free of defects in materials or workmanship. We will replace FREE OF CHARGE any product or parts that proves defective. Simply, return the product / part to any of The Home Depot retail locations or call 1-800-986-3460 to receive the replacement item. Proof of purchase (original sales receipt) from the original consumer purchaser must be made available for all Homedecorators warranty claims.

WHAT IS NOT COVERED

This warranty excludes incidental/inconsequential damages and failures due to misuse, abuse or normal wear and tear. This warranty excludes all industrial, commercial & business usage, whose purchasers are hereby, extended a five year limited warranty from the date of purchase, with all other terms of this warranty applying except the duration of warranty. Some states and provinces do not allow the exclusion or limitation of incidental or consequential damages, so the above limitations may not apply to you. This warranty gives you specific legal rights and you may also have other rights that vary from state to state and province to province. Please see a store or contact 1-800-986-3460 for more details.

Contact the Customer Service Team at 1-800-986-3460 or visit www.HomeDepot.com/HomeDecorators.

Pre-Installation

PLANNING INSTALLATION

To ensure your installation goes smoothly, please read these instructions carefully and review the recommended tools and hardware before you begin.

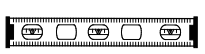
To remove the old vanity (if applicable): 1) Turn off the water supply and drain out. 2) Disconnect the supply lines from the faucet. 3) Remove the old vanity top and vanity. If the new vanity is not installed immediately, temporarily stuff a rag into the drain pipes.

Using a level, locate any uneven floor and/or wall areas where your vanity will be installed. Unevenness can cause your vanity to become misaligned resulting in twisting of the cabinet. Repair any uneven areas by reducing high spots or shimming low spots.

TOOL REQUIRED

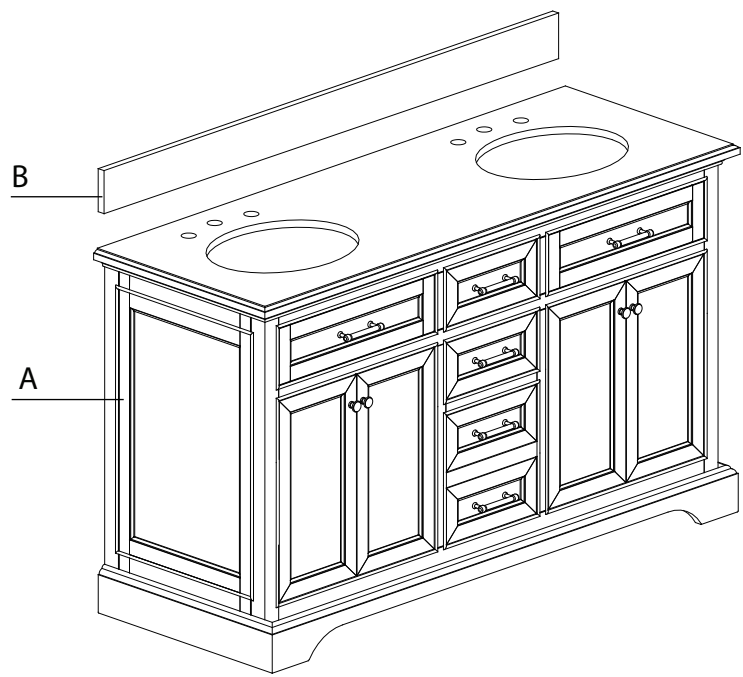


Sealant



Level

PACKAGE CONTENTS

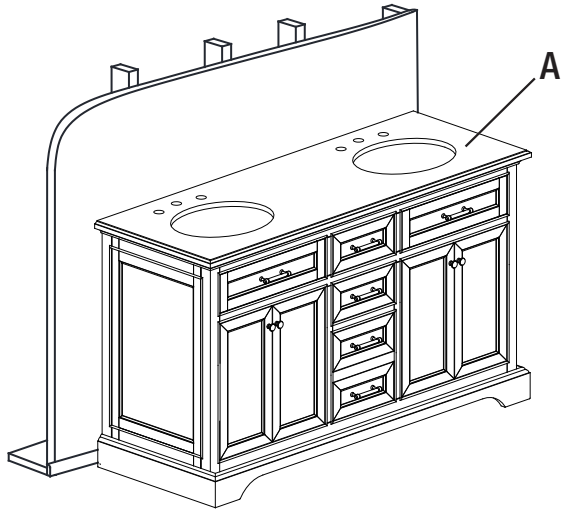


Part	Description	Quantity
A	Vanity combo	1
B	Backsplash	1

Installation

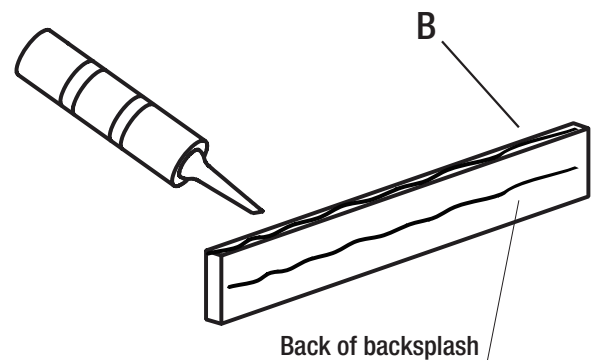
1 Installing the vanity

- Place the vanity combo (A) in the desired position taking into account the location of your plumbing.
- Make sure the vanity top is flush against the wall.
- Adjust the leg levelers so the vanity combo (A) is level.



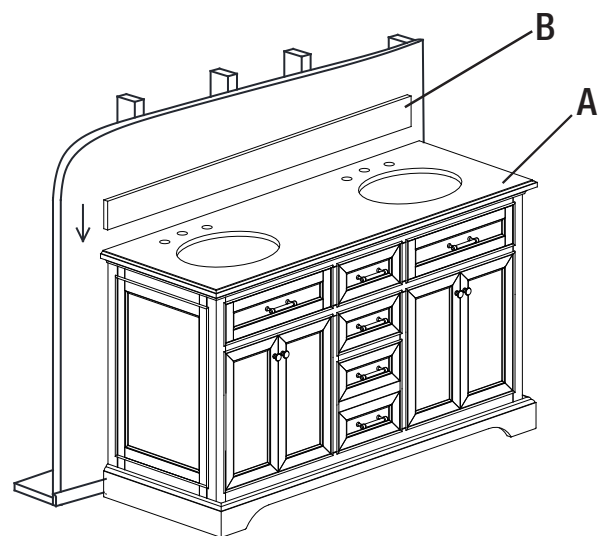
2 Applying the backsplash sealant

- Clear backsplash (B) of all debris before applying clear silicone sealant (not included).
- Apply a few thin beads of sealant to unpolished back and bottom edge of backsplash (B).



3 Installing the backsplash

- Set unpolished bottom edge of backsplash (B) on the vanity combo (A) top and press gently against wall and down on the vanity combo (A) top.
- Remove any excess sealant from the wall and the vanity combo (A) top.



Maintenance

- To maintain the beauty of the furniture finish, avoid placing the vanity combo in direct sunlight.
- Avoid exposing the vanity combo to extreme temperatures by installing away from heat and air vents.

Care and Cleaning

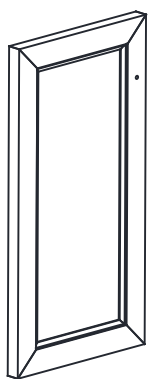
- Dust frequently with a clean, soft and dry cloth.
- Wipe away any water or liquid spills on the vanity combo immediately with a clean soft and dry cloth.
- Clean the vanity top only with non-abrasive cleaners or mild detergents – do not use powder cleansers. For extremely stubborn stains, use a small amount of acetone on a cloth and gently rub out the stain.

Troubleshooting

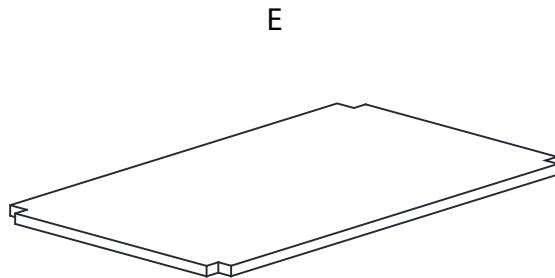
Problem	Possible Cause	Corrective Action
Vanity doors rub against another surface.	The floor is not level.	<ul style="list-style-type: none"><input type="checkbox"/> Adjust the leg levelers to ensure the vanity combo is level.<input type="checkbox"/> Adjust the door hinges.
There is an uneven gap between the doors and cabinet.	The floor is not level.	<ul style="list-style-type: none"><input type="checkbox"/> Adjust the leg levelers to ensure the vanity combo is level.<input type="checkbox"/> Adjust the door hinges.

Service Parts

MODEL 15101-VS61C-SG



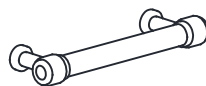
C



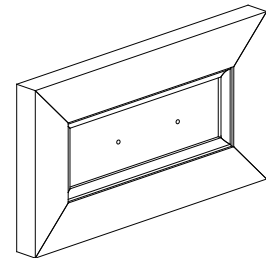
E



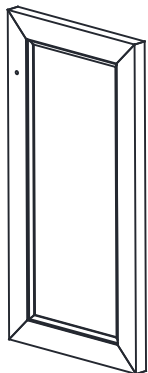
I



F



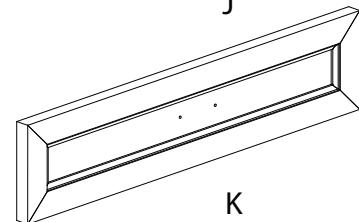
J



D



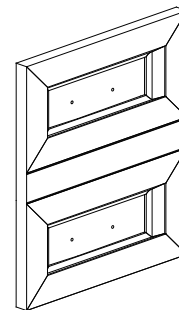
G



K



H



L

Part	Description	Quantity
C	Left door	2
D	Right door	2
E	Shelf	2
F	Handle	6
G	Knob	4

Part	Description	Quantity
H	Soft hinge	8
I	Leg levelers	4
J	Drawer front panel	2
K	Flip down drawer front panel	2
L	Bottom drawer front panel	1

HOME DECORATORS COLLECTION

Questions, problems, missing parts? Before returning to the store,
call Home Decorators Collection Customer Service
8 a.m. – 7 p.m., EST, Monday – Friday, 9 a.m. – 6 p.m., EST, Saturday

1-800-986-3460

[HOMEDEPOT.COM/HOMEDECORATORS](https://www.homedepot.com/homedecorators)



IMPORTANT HEALTH NOTICE

SOME OF THE BUILDING MATERIALS USED IN THIS HOME (OR THESE BUILDING MATERIALS) EMIT FORMALDEHYDE. EYE, NOSE, AND THROAT IRRITATION, HEADACHE, NAUSEA AND A VARIETY OF ASTHMA-LIKE SYMPTOMS, INCLUDING SHORTNESS OF BREATH, HAVE BEEN REPORTED AS A RESULT OF FORMALDEHYDE EXPOSURE. ELDERLY PERSONS AND YOUNG CHILDREN, AS WELL AS ANYONE WITH A HISTORY OF ASTHMA, ALLERGIES, OR LUNG PROBLEMS, MAY BE AT GREATER RISK. RESEARCH IS CONTINUING ON THE POSSIBLE LONG-TERM EFFECTS OF EXPOSURE TO FORMALDEHYDE.

REDUCED VENTILATION MAY ALLOW FORMALDEHYDE AND OTHER CONTAMINANTS TO ACCUMULATE IN THE INDOOR AIR. HIGH INDOOR TEMPERATURES AND HUMIDITY RAISE FORMALDEHYDE LEVELS, WHEN A HOME IS TO BE LOCATED IN AREAS SUBJECT TO EXTREME SUMMER TEMPERATURES, AN AIR-CONDITIONING SYSTEM CAN BE USED TO CONTROL INDOOR TEMPERATURE LEVELS. OTHER MEANS OF CONTROLLED MECHANICAL VENTILATION CAN BE USED TO REDUCE LEVELS OF FORMALDEHYDE AND OTHER INDOOR AIR CONTAMINANTS.

IF YOU HAVE ANY QUESTIONS REGARDING THE HEALTH EFFECTS OF FORMALDEHYDE, CONSULT YOUR DOCTOR OR LOCAL HEALTH DEPARTMENT.



Maintenance of Natural Stone

Natural stone tops are surprisingly resilient to stains and scratches. However, as a preventative measure, any spills on stone surfaces should be wiped up within a reasonable amount of time. Do not let liquid reside on the surface overnight. Natural stone is most prone to staining by oil and acid, so be sure to blot these spills up as soon as they happen. Follow up by cleaning the stone with a mild non-abrasive soap and water.

In bathrooms specifically, natural stone tends to attract soap scum, just like man-made tile. Rinse the vanity top with clean, hot water frequently.

The use of sealers is also a powerful preventative measure. Your stone was sealed at the factory, but reapplication is necessary over time. How often is determined by the quality of sealer used and the frequency of use. We recommend using a penetrating sealer for bath areas, as a food-safe sealer is typically not necessary.

If stains and scratches DO occur, there are many things you can do as a consumer to remove them. Remove oil based stains with acetone (dark stone), mineral spirits, or clear ammonia. Organic stains like coffee, tea, or juice can be removed with hydrogen peroxide (light stone to be safe), mixed with a few drops of clear ammonia. Be warned, continuous use of ammonia can dull granite over time.

Water spots or rings are the most common problem with bath vanities and are caused by minerals left behind when water evaporates. These can be removed by buffing the spots gently with 00 gauge steel wool. Likewise, small nicks and scratches can often be removed utilizing the same method.

Larger scratches, chips, and resilient stains may require professional help. Please contact your local stonemason for details.

Remember the following list of DO's and DON'Ts:

- **DO** use preventative cleaning measures to keep your stone pristine.
- **DO** use sealers, applied according to the product specific directions.
- **DO** blot spills quickly, wash with mild soap and warm water.
- **DON'T** use harsh bathroom cleaners or grout cleaners on any natural stone
- **DON'T** worry if you get a significant stain or scratch – virtually anything can be fixed with professional help.