

OUTDOOR FURNITURE

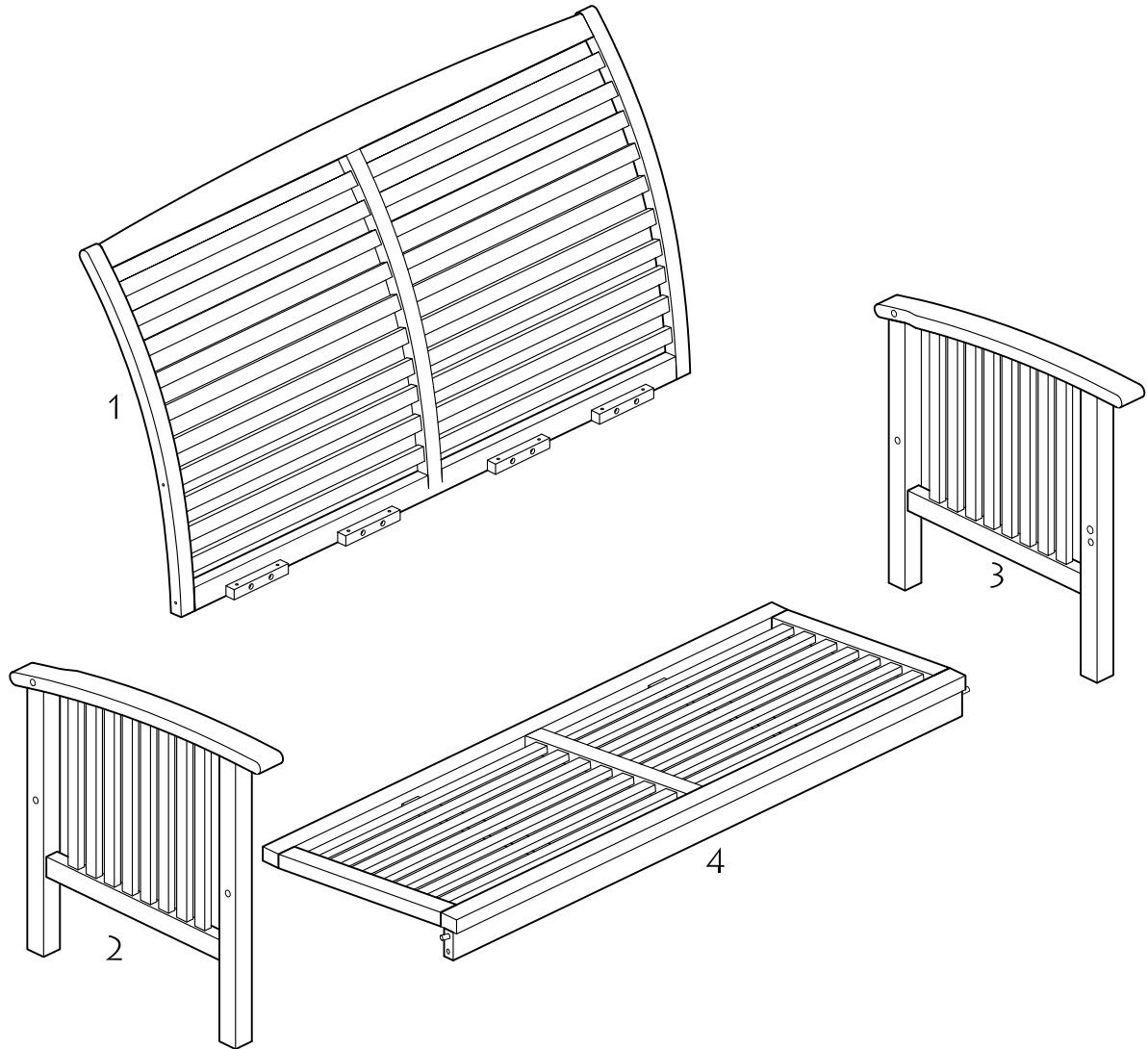
item #: ow4s (bench)
assembly instructions



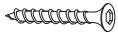

FOR OUR MOST UP-TO-DATE INSTRUCTIONS, TO REQUEST MISSING, LOST, OR BROKEN PARTS, OR FOR ANY OTHER CUSTOMER SERVICE ISSUES, PLEASE VISIT OUR WEBSITE AT WWW.OASISPATIO.COM OR CALL US AT 1-855-201-3320.

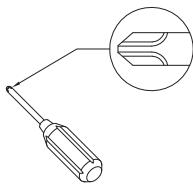
REVISED 03/2011

PARTS LIST



HARDWARE LIST

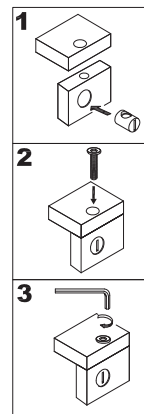
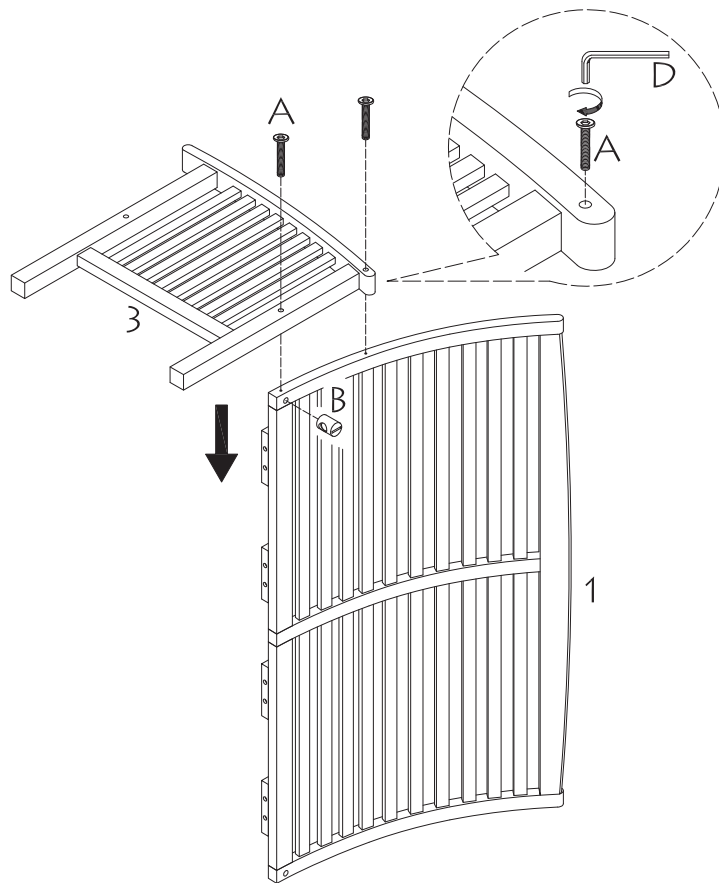
A		Ø8X90MM	BOLT	6 PCS
B			BARREL NUT	4 PCS
C		Ø4X30MM	SCREW	8 PCS
D			WRENCH	1 PC



A PHILLIPS HEAD SCREWDRIVER IS REQUIRED FOR ASSEMBLY
(NOT INCLUDED)

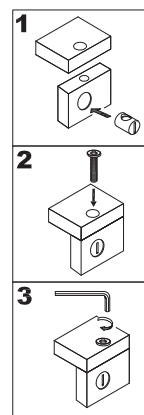
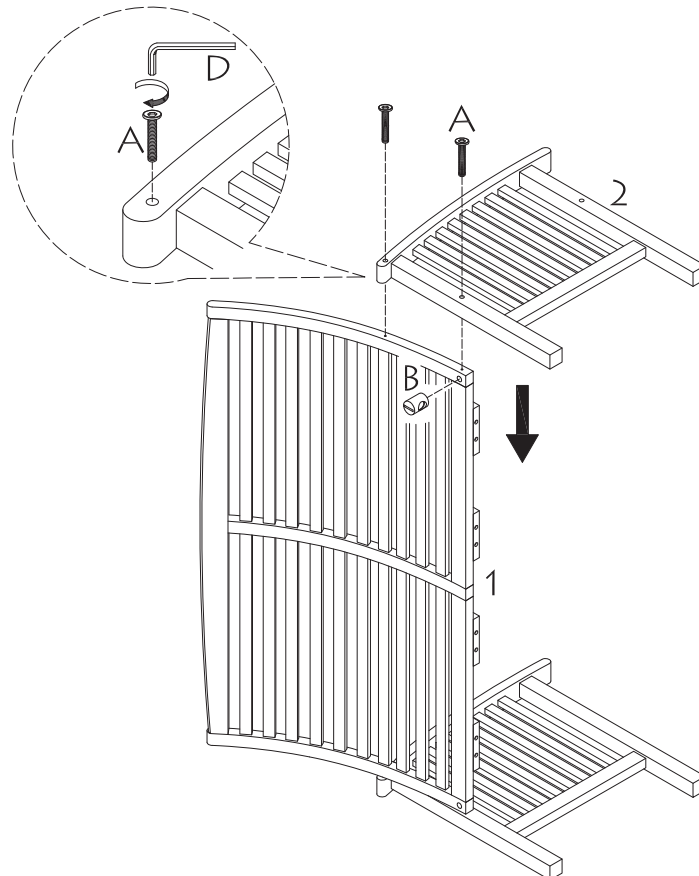
THE HARDWARE QUANTITIES LISTED ABOVE ARE REQUIRED FOR PROPER ASSEMBLY.
SOME EXTRA HARDWARE MAY ALSO HAVE BEEN INCLUDED.

STEP 1



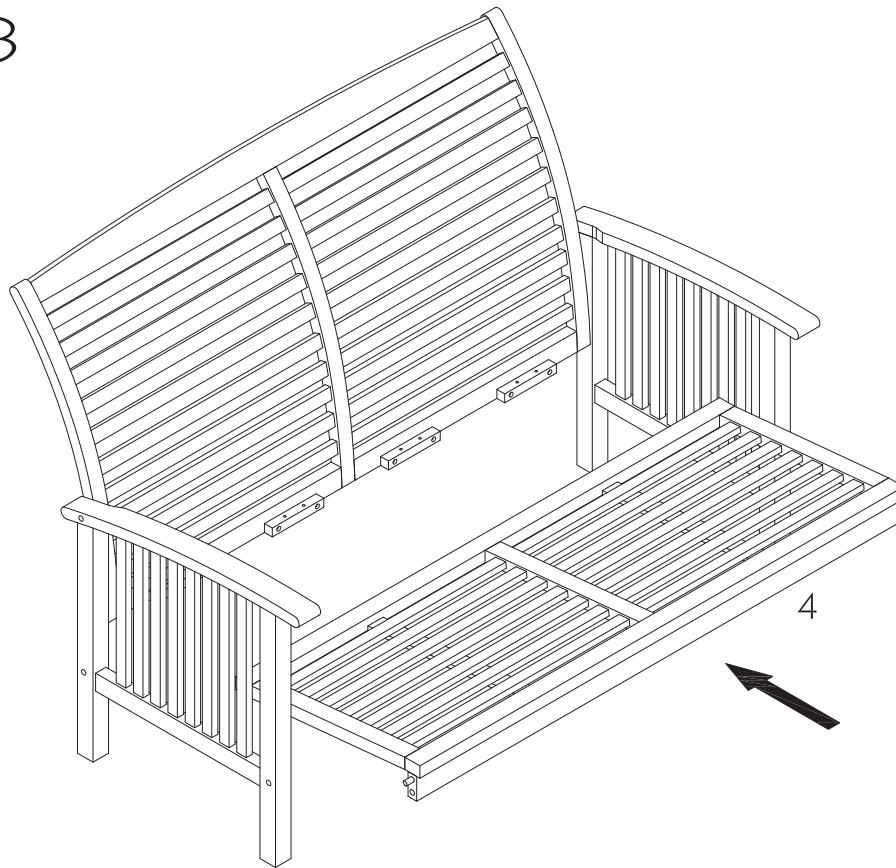
INSERT BARREL NUT (B) INTO BENCH BACK (1). ATTACH BENCH SIDE (3) TO BENCH BACK (1) USING BOLTS (A). TIGHTEN BOLTS (A) FIRMLY WITH WRENCH (D).

STEP 2



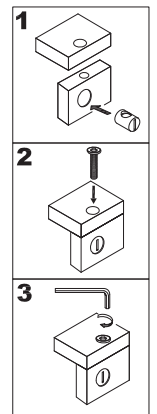
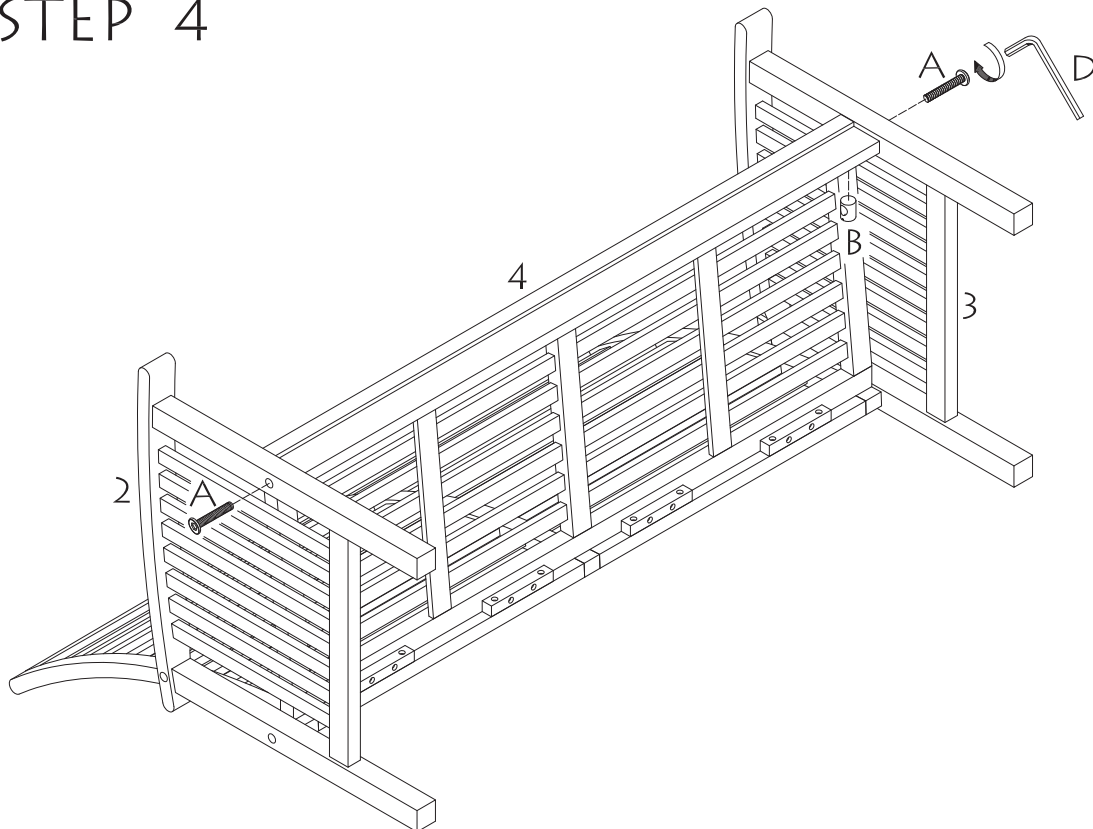
INSERT BARREL NUT (B) INTO BENCH BACK (1). ATTACH BENCH SIDE (2) TO BENCH BACK (1) USING BOLTS (A). TIGHTEN BOLTS (A) FIRMLY WITH WRENCH (D).

STEP 3



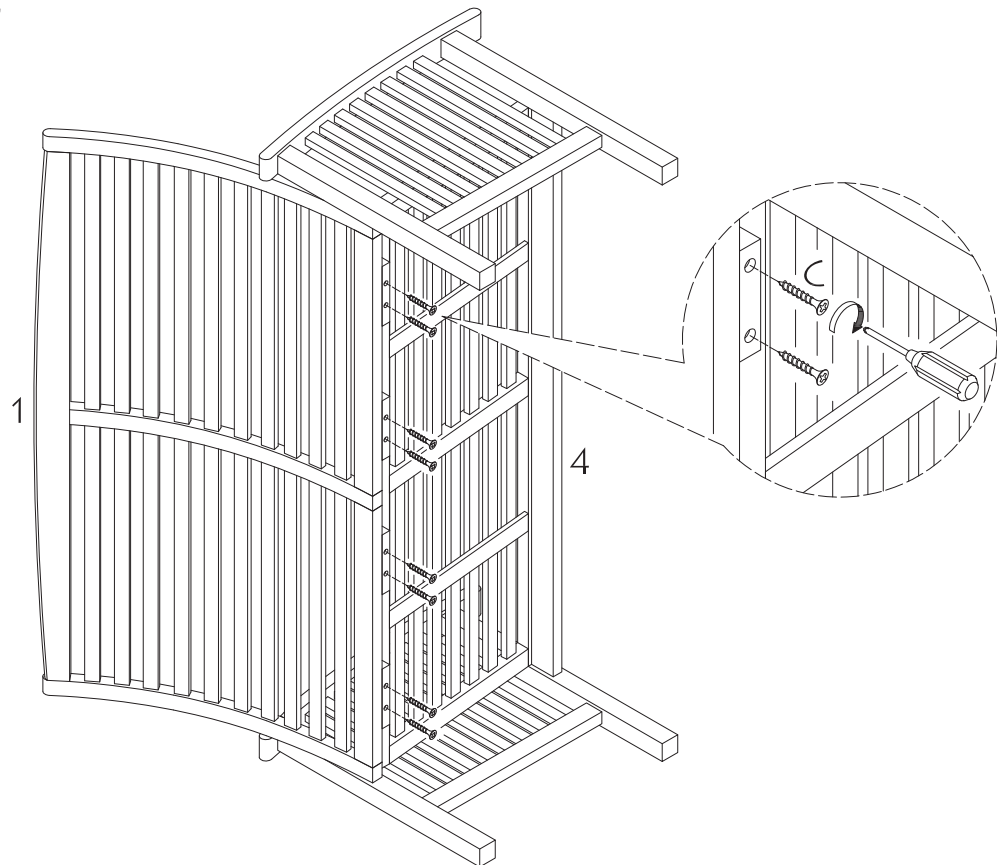
CAREFULLY INSERT BENCH SEAT (4) INTO THE BENCH ASSEMBLY.

STEP 4



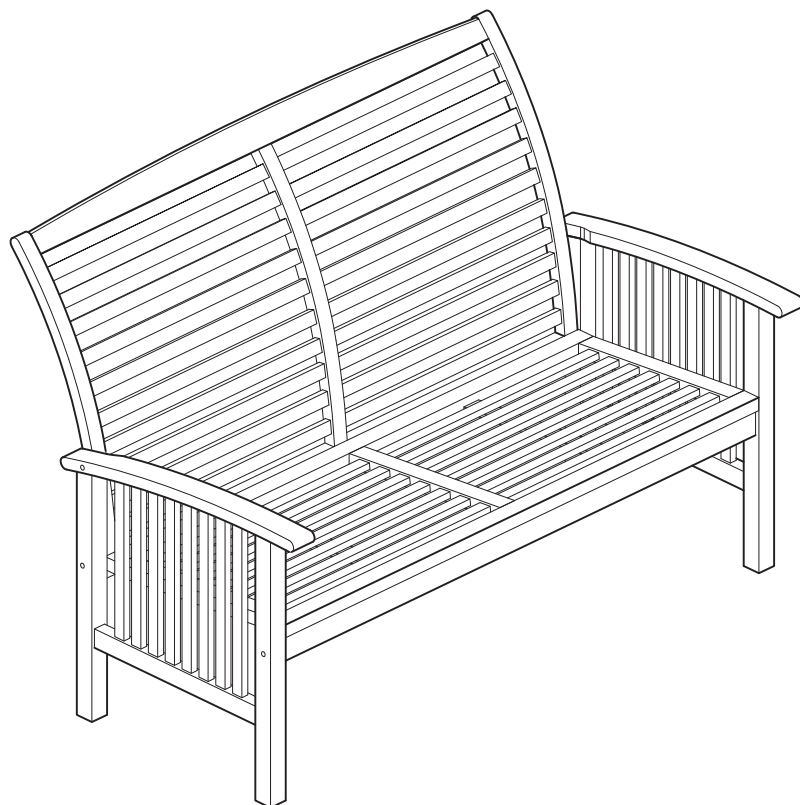
INSERT BARREL NUTS (B) INTO BENCH SEAT (4). SECURE BENCH SEAT (4) TO BENCH SIDES (2,3) USING BOLTS (A). (BOLTS (A) WILL BE INSERTED THROUGH BENCH SIDES (2,3) AND WILL SCREW INTO BARREL NUTS (B).) TIGHTEN BOLTS (A) FIRMLY WITH WRENCH (D).

STEP 5



SECURE BENCH SEAT (4) TO BENCH BACK (1) USING SCREWS (C). TIGHTEN SCREWS (C) FIRMLY WITH A SCREWDRIVER.

STEP 6



FINAL ASSEMBLY