

FinishPro™ HVLP 7.0/9.0/9.5

3A4967B

EN

For professional use only. For portable spray applications of fine finish coatings. Not approved for use in explosive atmospheres or hazardous locations.

FinishPro HVLP 7.0/9.0 Standard
 FinishPro HVLP 7.0/9.0/9.5 ProContractor
 FinishPro HVLP 9.5 ProComp
 See page 3 for additional model information

10 psi (0.07 MPa, 0.7 bar) Maximum Working Pressure
 ProComp Models: 50 psi (0.35MPa, 3.5 bar) Maximum Fluid Working Pressure



Important Safety Instructions

Read all warnings and instructions in this manual and in related manuals. Be familiar with the controls and the proper usage of the equipment. Save these instructions.

Related Manuals:

3A4980	Gun
--------	-----

WARNING

FIRE AND EXPLOSION HAZARD

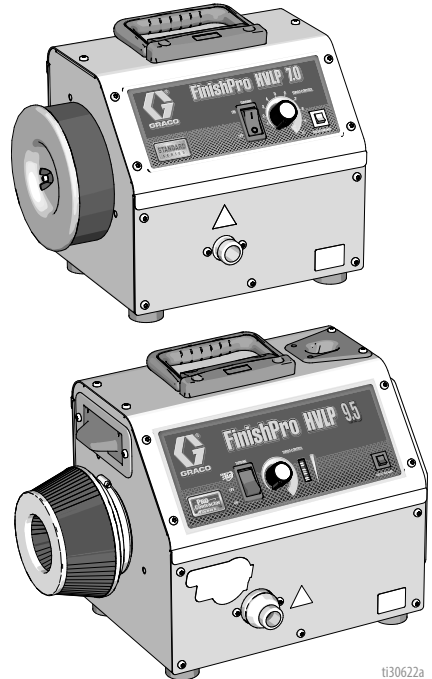
- The turbine motor generates sparks. Keep sprayer at least 20 feet (6m) from spray area. Use additional hose if necessary.
- Spraying flammable or combustible materials in a factory or fixed location must comply with NFPA 33 and OSHA 1910.94(c) requirements in the USA and with all similar local regulations in other countries.



??  ??

www.graco.com/techsupport





t130622a

Table of Contents




Table of Contents

Models	3
Key Features	3
Warnings	4
Know Your Sprayer	7
Standard Models	7
ProContractor Models	8
ProComp Models	9
Pressure Relief Procedure	10
Setup	11
Fluid and Work Piece Preparation	12
Fluid Set Selection	12
Startup	13
Fill FlexLiner System	13
Fill Remote Cup (ProComp Models only)	14
Startup	16
How to Spray	17
Spray Techniques	17
Triggering Gun	17
Aiming Gun	18
Refilling FlexLiner	18
Refilling Remote Cup	18
Cleanup	19
Troubleshooting	25
Parts	28
Standard Models	28
Parts List - Standard Models	29
Parts	30
ProContractor Models	30
Parts List - ProContractor Models	31
Parts	32
ProComp Models	32
Parts List - ProComp Models	33
Parts - Power Cords & Accessories	34
Parts List - Power Cords & Accessories	35
Wiring Diagrams (Standard)	36
Wiring Diagrams (Standard)	37
Wiring Diagrams (ProContractor)	38
Wiring Diagrams (ProComp)	39
Technical Specifications	40
Graco Standard Warranty	43
Graco Information	44

Models

Key Features

TurboControl - Not available on all models	<ul style="list-style-type: none"> • Allows user to adjust sprayer performance to match application needs. • Use at lowest setting that provides desired finish. • Reduces heat buildup and job site noise.
SmartStart - Available only on ProContractor and ProComp models	<ul style="list-style-type: none"> • Sprayer automatically turns off after no spraying activity; trigger gun to re-start sprayer. • Reduces heat buildup and job site noise. • Turn switch to ON if SmartStart is not desired.
FlexLiner System - Not available on all models	<ul style="list-style-type: none"> • Allows user to spray gun at any angle without cup adjustment. • Reduces cleaning time with no siphon tube and disposable liner. • Quick change cup connection.

	VAC	Model	Part Number	Hose			Spray Gun		Fluid Sets		
				20-ft	30-ft	4-ft Whip	Edge II	Edge II Plus	#3	#4	#5
	120 USA	7.0 Standard	17U105								
		7.0 Standard	17N263	✓			✓		✓		
		9.0 Standard	17N264	✓			✓		✓		
		7.0 ProContractor	17N265		✓			✓	✓		
		9.0 ProContractor	17N266		✓			✓	✓	✓	
		9.5 ProContractor	17N267		✓	✓		✓	✓	✓	✓
		9.5 ProComp	17N269		✓	✓		✓*	✓	✓	✓
	230 CEE 7/7	7.0 Standard	17P528	✓			✓		✓		
		7.0 Standard	17T980	✓			✓		✓		
		9.0 Standard	17P529	✓			✓		✓		
		7.0 ProContractor	17P530		✓	✓		✓	✓		
		9.0 ProContractor	17P531		✓	✓		✓	✓	✓	
		9.5 ProContractor	17P532		✓	✓		✓	✓	✓	✓
		9.5 ProContractor	17T982		✓	✓		✓	✓	✓	✓
	9.5 ProComp	17P533		✓	✓		✓*	✓	✓	✓	
	230 Europe Multi / UK	7.0 Standard	17P534	✓			✓		✓		
		9.0 Standard	17P535	✓			✓		✓		
		7.0 ProContractor	17P536		✓	✓		✓	✓		
		9.0 ProContractor	17P537		✓	✓		✓	✓	✓	
		9.5 ProContractor	17P538		✓	✓		✓	✓	✓	✓
		9.5 ProComp	17P539		✓	✓		✓*	✓	✓	✓
		230 Asia / ANZ / SCA	7.0 Standard	17R074	✓			✓		✓	
	9.0 Standard		17R075	✓			✓		✓		
	7.0 ProContractor		17R078		✓			✓	✓		
	9.0 ProContractor		17R079		✓			✓	✓	✓	
	9.5 ProContractor		17R080		✓	✓		✓	✓	✓	✓
	9.5 ProComp		17R081		✓	✓		✓*	✓	✓	✓

*ProComp Models - Edge II Plus spray gun for remote cup. FlexLiner System Conversion Kit included.

Warnings

Warnings

The following warnings are for the setup, use, grounding, maintenance, and repair of this equipment. The exclamation point symbol alerts you to a general warning and the hazard symbols refer to procedure-specific risks. When these symbols appear in the body of this manual or on warning labels, refer back to these Warnings. Product-specific hazard symbols and warnings not covered in this section may appear throughout the body of this manual where applicable.

WARNING

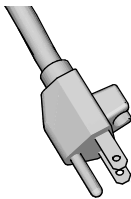


GROUNDING

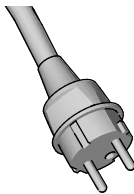
This product must be grounded. In the event of an electrical short circuit, grounding reduces the risk of electric shock by providing an escape wire for the electric current. This product is equipped with a cord having a grounding wire with an appropriate grounding plug. The plug must be plugged into an outlet that is properly installed and grounded in accordance with all local codes and ordinances.

- Improper installation of the grounding plug is able to result in a risk of electric shock.
- When repair or replacement of the cord or plug is required, do not connect the grounding wire to either flat blade terminal.
- The wire with insulation having an outer surface that is green with or without yellow stripes is the grounding wire.
- Check with a qualified electrician or serviceman when the grounding instructions are not completely understood, or when in doubt as to whether the product is properly grounded.
- Do not modify the plug provided; if it does not fit the outlet, have the proper outlet installed by a qualified electrician.
- This product is for use on a nominal 120V or 230V circuit and has a grounding plug similar to the plugs illustrated below.

120V US



230V



230V ANZ



ti24583b

- Only connect the product to an outlet having the same configuration as the plug.
- Do not use an adapter with this product.

Extension Cords:

- Use only a 3-wire extension cord that has a grounding plug and a grounding receptacle that accepts the plug on the product.
- Make sure your extension cord is not damaged. If an extension cord is necessary use 12 AWG (2.5mm²) minimum, 50 ft maximum length, to carry the current that the product draws.
- An undersized cord results in a drop in line voltage and loss of power and overheating.

WARNING



FIRE AND EXPLOSION HAZARD

Flammable fumes, such as solvent and paint fumes, in work area can ignite or explode. To help prevent fire and explosion:



- Do not spray flammable or combustible materials near an open flame or sources of ignition such as cigarettes, motors, electrical equipment, and plastic drop cloths (potential static sparking).



- Turbine motor generates sparks. Keep sprayer in a well ventilated area at least 20 feet (6 m) from the spray area when spraying, flushing, cleaning, or servicing. Do not spray pump assembly.



- Connect to a grounded outlet and use grounded extensions cords. Do not use a 3-to-2 adapter.
- Do not use a paint or a solvent containing halogenated hydrocarbons.
- Do not spray flammable or combustible liquids in a confined area.
- Keep spray area well-ventilated. Keep a good supply of fresh air moving through the area.
- Do not smoke in the spray area or spray where sparks or flame is present.
- Do not operate light switches, engines, or similar spark producing products in the spray area.
- Keep area clean and free of paint or solvent containers, rags, and other flammable materials.
- Know the contents of the paints and solvents being sprayed. Read all Safety Data Sheets (SDSs) and container labels provided with the paints and solvents. Follow the paint and solvents manufacturer's safety instructions.
- Keep a working fire extinguisher in the work area.



ELECTRIC SHOCK HAZARD

This equipment must be grounded. Improper grounding, setup, or usage of the system can cause electric shock.



- Turn off and disconnect power cord before servicing equipment.
- Connect only to grounded electrical outlets.
- Use only 3-wire extension cords.
- Ensure ground prongs are intact on power and extension cords.
- Do not expose to rain. Store indoors.



PRESSURIZED EQUIPMENT HAZARD

Fluid from the equipment, leaks, or ruptured components can splash in the eyes or on skin and cause serious injury.



- Follow the **Pressure Relief Procedure** when you stop spraying/dispensing and before cleaning, checking, or servicing equipment.
- Tighten all fluid connections before operating the equipment.
- Check hoses, tubes, and couplings daily. Replace worn or damaged parts immediately.



Warnings

WARNING



EQUIPMENT MISUSE HAZARD

Misuse can cause death or serious injury.

- Always wear appropriate gloves, eye protection, and a respirator or mask when painting.
- Do not operate or spray near children. Keep children away from equipment at all times.
- Do not overreach or stand on an unstable support. Keep effective footing and balance at all times.
- Stay alert and watch what you are doing.
- Do not operate the unit when fatigued or under the influence of drugs or alcohol.
- Do not kink or over-bend the hose.
- Do not expose the hose to temperatures or to pressures in excess of those specified by Graco.
- Do not use the hose as a strength member to pull or lift the equipment.
- Do not alter or modify equipment. Alterations or modifications may void agency approvals and create safety hazards.
- Make sure all equipment is rated and approved for the environment in which you are using it.



PRESSURIZED ALUMINUM PARTS HAZARD

Use of fluids that are incompatible with aluminum in pressurized equipment can cause serious chemical reaction and equipment rupture. Failure to follow this warning can result in death, serious injury, or property damage.

- Do not use 1,1,1-trichloroethane, methylene chloride, other halogenated hydrocarbon solvents or fluids containing such solvents.
- Do not use chlorine bleach.
- Many other fluids may contain chemicals that can react with aluminum. Contact your material supplier for compatibility.



TOXIC FLUID OR FUMES HAZARD

Toxic fluids or fumes can cause serious injury or death if splashed in the eyes or on skin, inhaled, or swallowed.

- Read SDSs to know the specific hazards of the fluids you are using.
- Store hazardous fluid in approved containers, and dispose of it according to applicable guidelines.



PERSONAL PROTECTIVE EQUIPMENT

Wear appropriate protective equipment when in the work area to help prevent serious injury, including eye injury, hearing loss, inhalation of toxic fumes, and burns. This protective equipment includes but is not limited to:

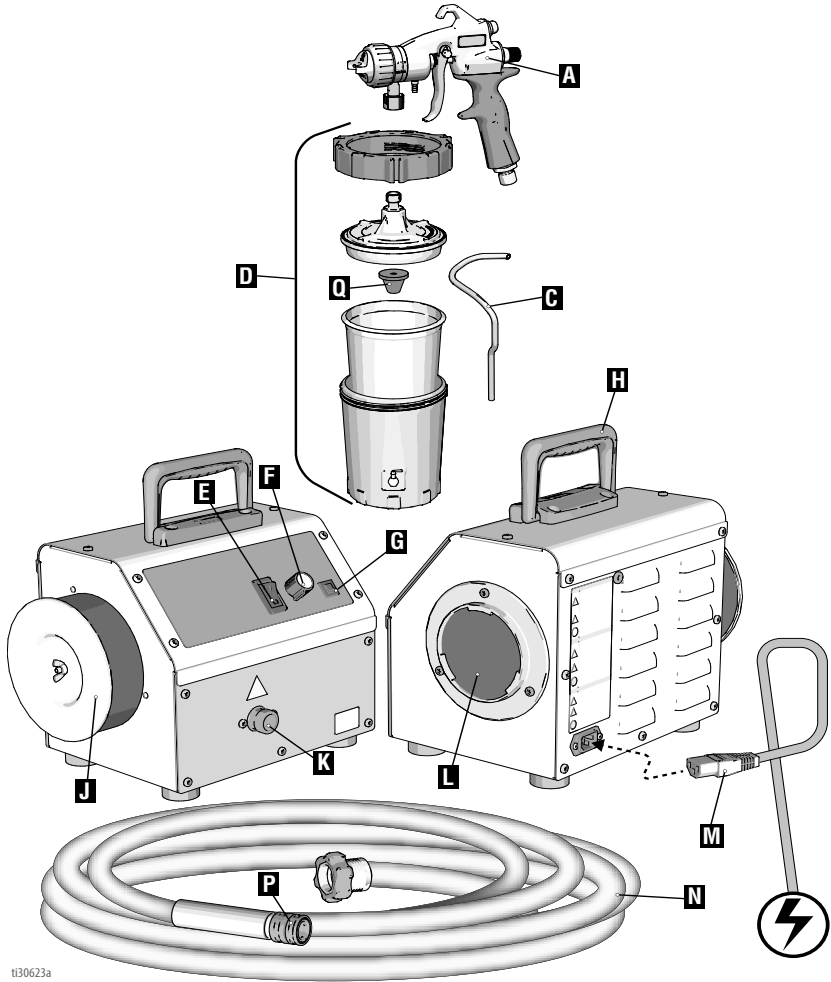
- Protective eyewear, and hearing protection.
- Respirators, protective clothing, and gloves as recommended by the fluid and solvent manufacturer.

CALIFORNIA PROPOSITION 65

This product contains a chemical known to the State of California to cause cancer, birth defects or other reproductive harm. Wash hands after handling.

Know Your Sprayer

Standard Models



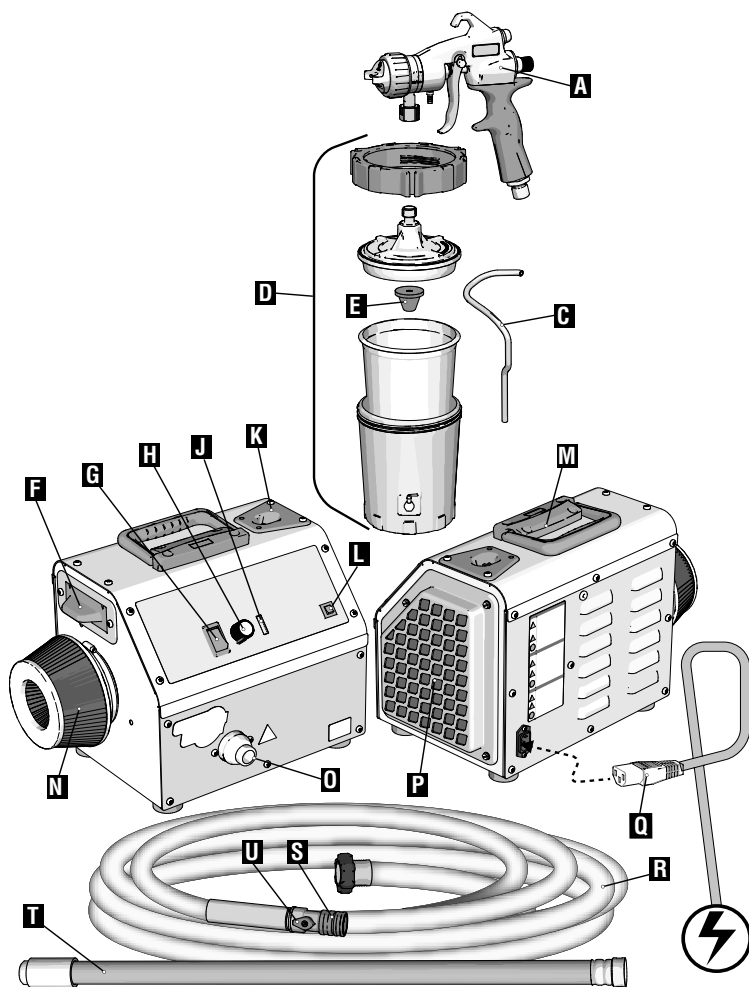
tt30623a

A	Edge II Spray Gun
C	Spray Gun Tubing
D	FlexLiner System
E	ON/OFF Switch
F	TurboControl (select models)
G	Resettable Circuit Breaker
H	Sprayer Handle

J	Turbine Air Filter
K	Air Outlet
L	Motor Air Filter
M	Power Cord
N	Sprayer Air Hose
P	Quick Connect
Q	Material Strainer

Know Your Sprayer

ProContractor Models

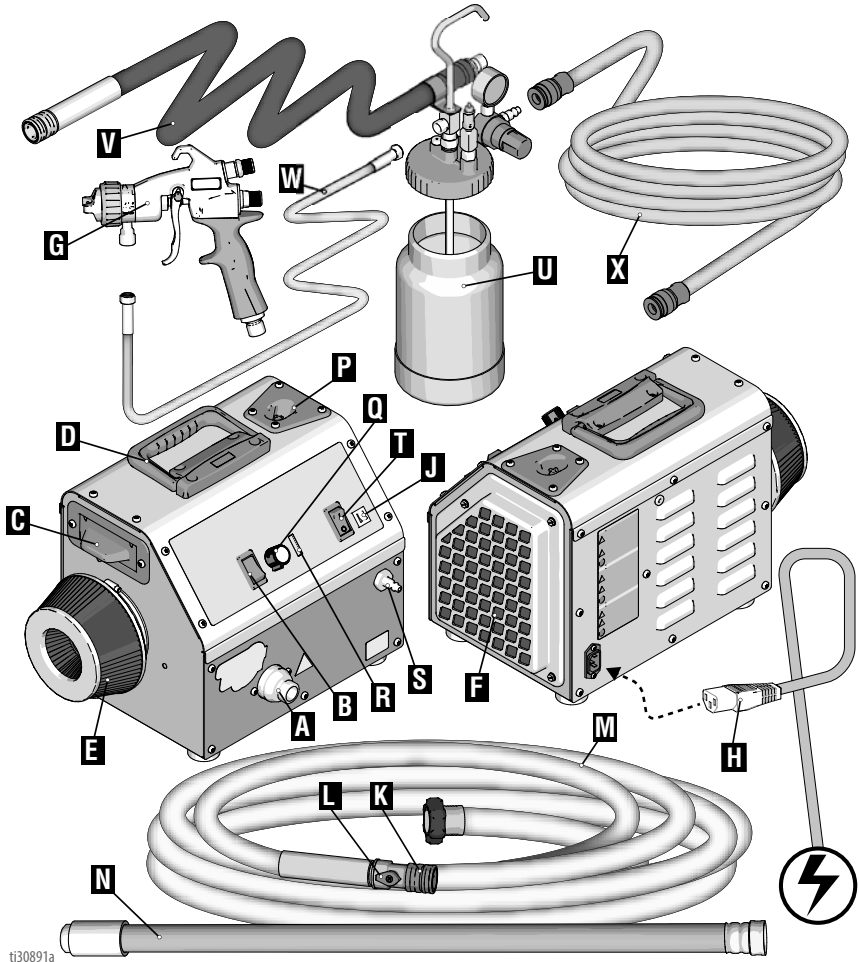


ti30754a

A	Edge II Plus Spray Gun
C	Spray Gun Tubing
D	FlexLiner System
E	Material Strainer
F	Fluid Set Storage
G	ON/OFF/SmartStart Switch
H	TurboControl
J	TurboControl LED Indicator
K	Spray Gun Holder
L	Resettable Circuit Breaker

M	Sprayer Handle
N	Turbine Air Filter
O	Air Outlet
P	Motor Air Filter
Q	Power Cord
R	Sprayer Air Hose
S	Quick Connect
T	Whip Hose (select models)
U	Air Valve

ProComp Models



ti30891a

A	Air Outlet
B	ON/OFF/SmartStart Switch
C	Fluid Set Storage
D	Sprayer Handle
E	Turbine Air Filter
F	Motor Air Filter
G	Edge II Plus Spray Gun
H	Power Cord
J	Resettable Circuit Breaker
K	Quick Connect
L	Air Valve

M	Sprayer Air Hose
N	Whip Hose
P	Spray Gun Holder
Q	TurboControl
R	TurboControl LED Indicator
S	Compressor Outlet
T	Compressor ON/OFF Switch
U	Remote Cup, 2-qt
V	Gun Air Hose, 5-ft
W	Remote Cup Fluid Hose, 5-ft
X	Remote Cup Air Hose, clear

Pressure Relief Procedure

Pressure Relief Procedure



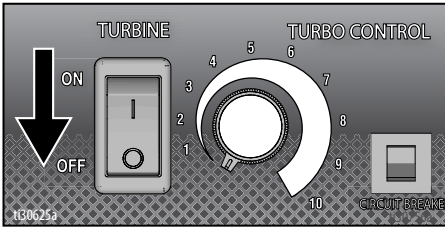
Follow the Pressure Relief Procedure whenever you see this symbol.



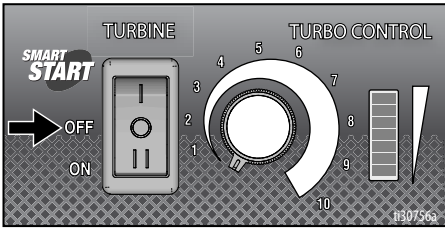
The spray gun cup is pressurized. To reduce the risk of splashing from pressurized fluid, always follow the **Pressure Relief Procedure** before removing cup.

1. Turn the ON/OFF switch to **OFF** position.

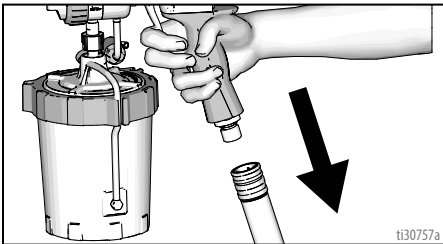
Standard Models:



ProContractor and ProComp Models:

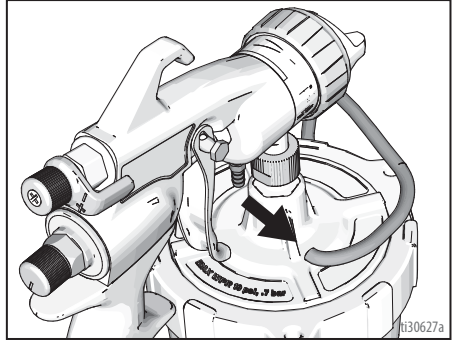


2. Unplug power cord to disconnect power.
3. Disconnect spray gun from air hose.



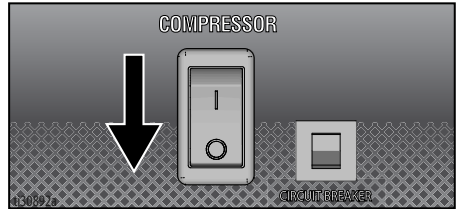
If using a FlexLiner System:

4. Disconnect tubing from gun to relieve pressure in the cup.

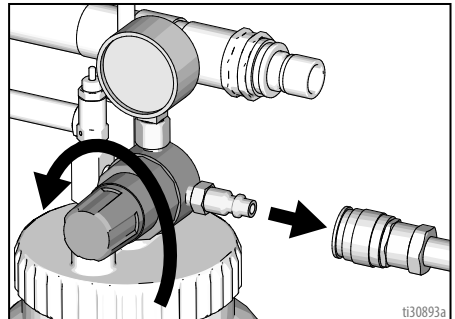


If using a ProComp remote cup:

5. Turn compressor ON/OFF switch to **OFF** position.



6. Disconnect air hose from remote cup. Turn out pressure regulator one turn. Wait until pressure is completely relieved before removing cover.

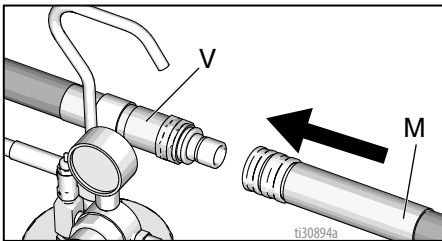


Setup

When unpacking sprayer for the first time or after long term storage, perform setup procedure.

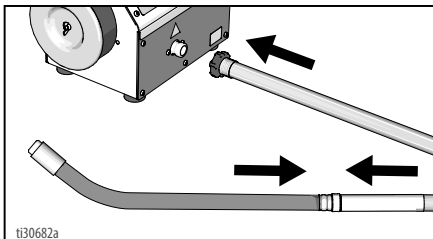
1. Connect air hose to sprayer. Hand tighten.
2. If using a ProComp Model with remote cup:

Connect gun air hose (V) to end of sprayer air hose (M).



NOTICE

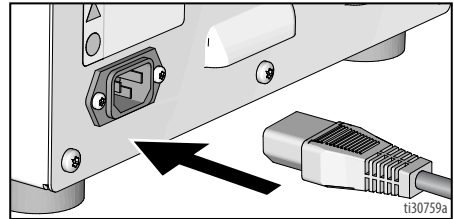
For units with a whip hose, do not connect whip hose directly to sprayer. Connect whip hose to gun end .



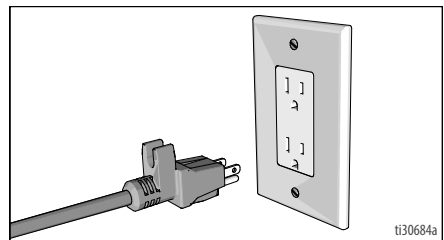
NOTICE

The SmartStart feature on ProContractor and ProComp models relies on an air tight system. Use components provided with sprayer and Edge II Plus gun. Ensure all hose connections are secure to avoid air leakage.

3. Connect power cord to sprayer power connection.



4. Plug sprayer power cord into grounded outlet.



Fluid and Work Piece Preparation

- Strain fluids before spraying. This includes colors, reducers and hardeners.
- Use a slower drying reducer or thinner to compensate for the faster drying time caused by the warm air of the turbine. Do not over reduce.
- Sprayer performance varies with the viscosity of the material sprayed and the length of the hose. To prevent pressure drop, use hose supplied with sprayer.
- Most material manufacturers provide recommendations for their materials. Follow these recommendations.
- For proper adhesion, ensure surface of work piece is completely clean.

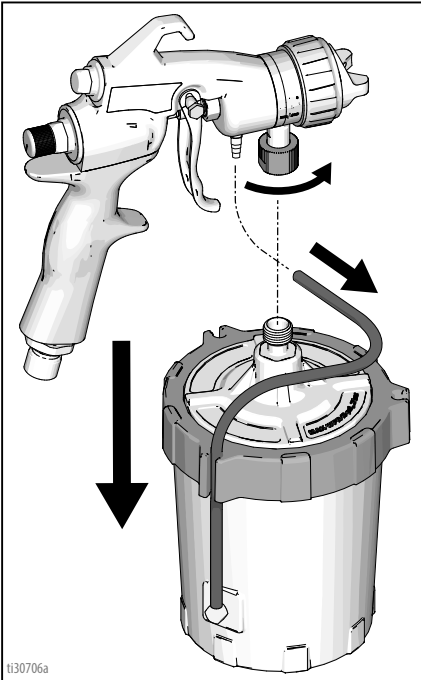
Fluid Set Selection

For best spray performance, select proper fluid set for fluid being sprayed. Reference **Fluid Set Selection Guide** in HVLP Edge II gun manual provided with sprayer. Fluid Set numbers are marked on fluid needles and nozzles.

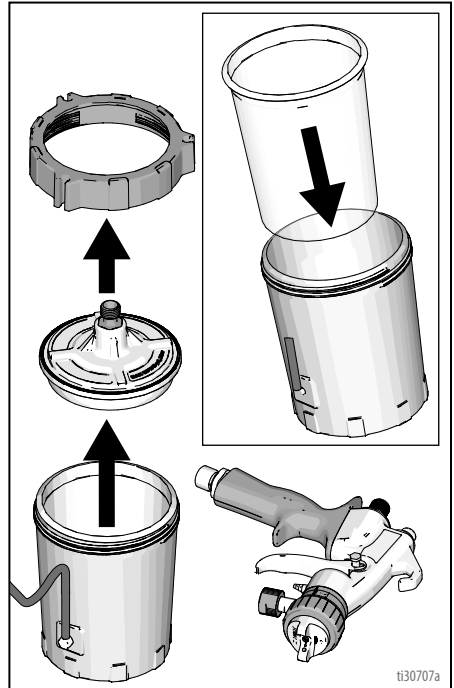
Startup

Fill FlexLiner System

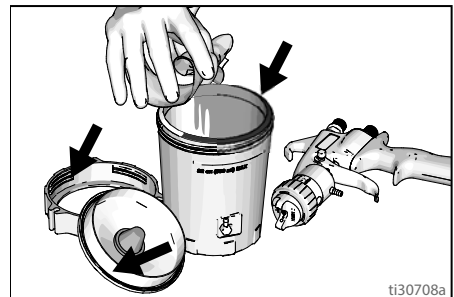
1. Disconnect gun from FlexLiner System.



2. Loosen ring from cup. Remove cover and ring from cup. Verify FlexLiner remains in cup upon removal of cover and ring.

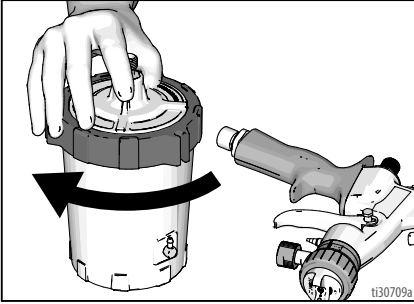


3. Fill FlexLiner with material to "MAX FILL" line. Clean threads and sealing surfaces of FlexLiner System.

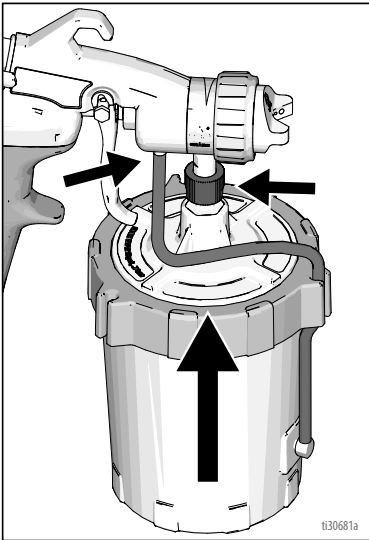


Startup

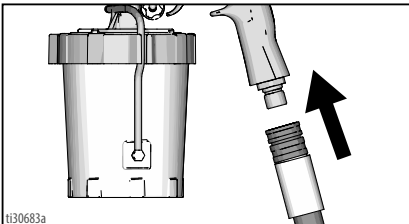
4. Install cover and ring onto cup. Tighten ring securely.



5. Connect FlexLiner System to gun.



6. Connect air hose to inlet fitting of gun.



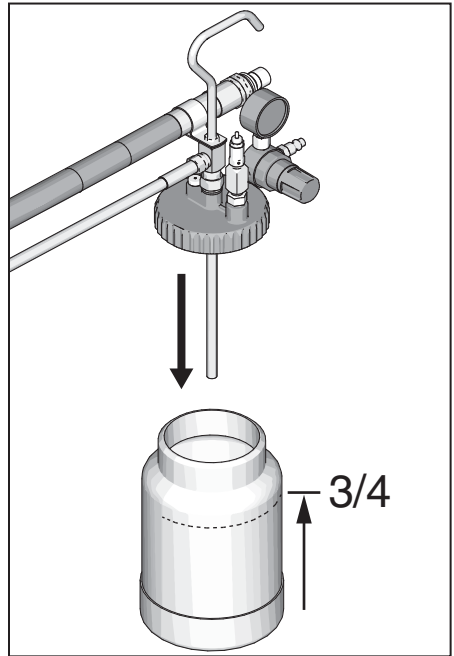
7. You are now ready to spray. Reference **Startup**, page 16, and HVLP Edge II gun manual, provided with sprayer, for spraying instructions.

Fill Remote Cup (ProComp Models only)

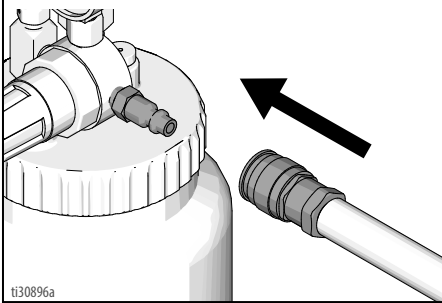
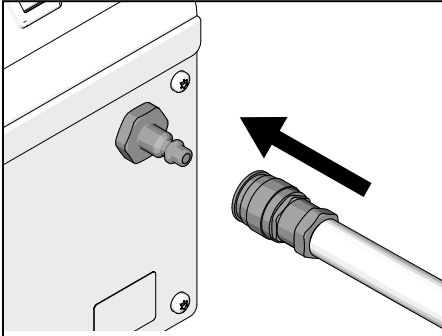
1. Fill remote cup 3/4 full and install cover.

NOTICE

Only hand-tighten remote cup cover. Excessive tightening may damage cover gasket.

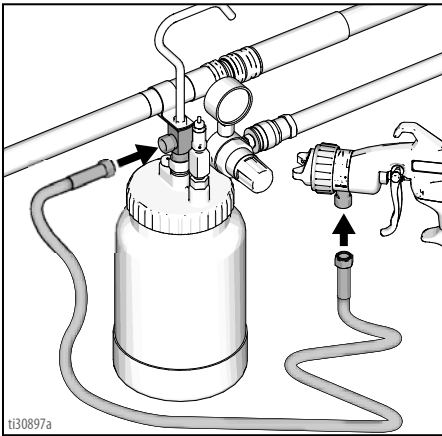


2. Connect clear air hose to compressor outlet and remote cup air inlet.

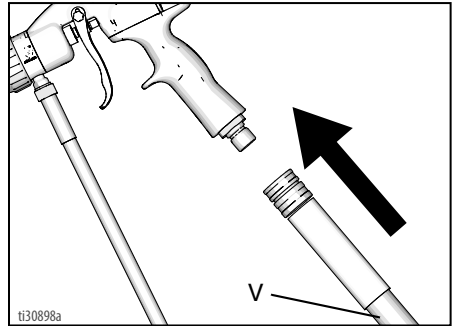


3. Connect 5 ft (1.5 m) fluid hose to remote cup fluid outlet and gun fluid inlet.

NOTE: Gun must be setup for use with remote cup.



4. Connect air hose (V) to inlet fitting of gun.



NOTICE

If the remote cup is accidentally tipped over or held at too great of an angle, fluid may leak into air regulator and cause damage. Take precautions to avoid this. If fluid gets into regulator, clean immediately.

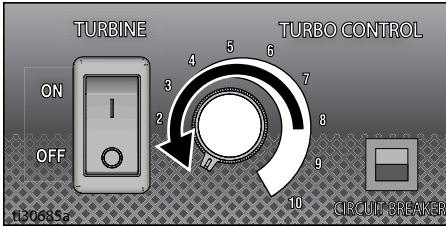
5. You are now ready to spray. Reference **Startup**, page 16, and HVLP Edge II gun manual, provided with sprayer, for spraying instructions.

Startup

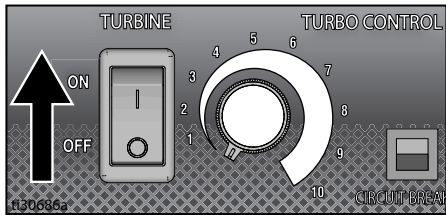
Startup

TurboControl allows for performance adjustment of the sprayer. To reduce over-spray, always start at lowest setting and increase to the minimum setting required to provide the desired finish.

1. Turn TurboControl to lowest setting.

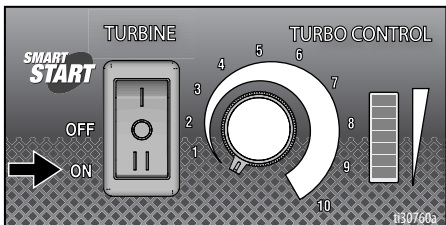


2. Turn ON/OFF switch to ON position.



NOTE: ProContractor and ProComp models in SmartStart setting will automatically turn off when not actively spraying. Sprayer will start upon re-triggering of HVLP Edge II Plus gun. Turn switch to ON position if SmartStart is not desired. In ON mode, unit will still shutdown after 3 minutes of non-use. Sprayer will start upon re-triggering of gun.

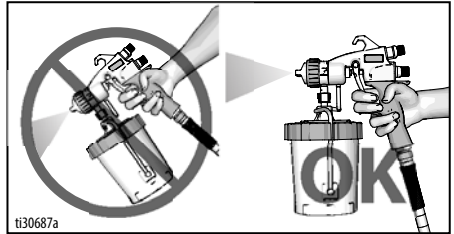
NOTE: For SmartStart to function, use components provided with sprayer and Edge II Plus gun. For replacement parts, see pages 30-35.



If using FlexLiner System:

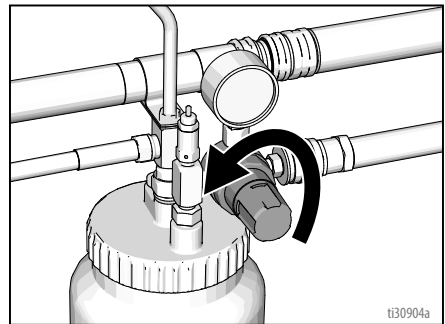
3. Point gun into a waste area. Evacuate air from FlexLiner System by holding gun vertically and pull trigger open until a continuous spray pattern is observed.

NOTE: Tilt gun back and forth to help in evacuation of air.

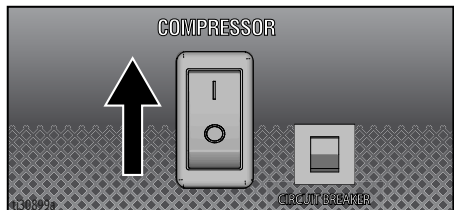


If using remote cup with ProComp Model:

4. Turn pressure regulator to lowest setting.



5. Turn compressor ON/OFF switch to ON position.



NOTE: If experiencing low remote cup pressure, disconnect clear air hose from compressor outlet (see step 2, page 15) and allow compressor to run for 10 seconds. Reconnect air hose.

How to Spray



The turbine motor generates sparks. These sparks can ignite flammable fumes.

- Keep sprayer in a well ventilated area.
- Keep sprayer at least 20 feet (6m) from spray area. Use additional hose if necessary.

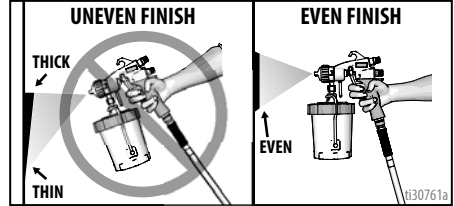
Take a few moments prior to spraying and review these simple tips to ensure your spraying project is a success.

Spray Techniques

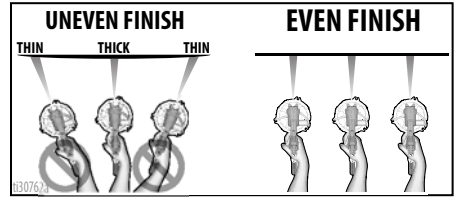
Use a piece of scrap cardboard to practice spraying techniques before spraying the work piece.

- For Standard and ProContractor models, use TurboControl to adjust pressure.
- For ProComp models using the remote cup, use TurboControl and pressure regulator on remote cup to adjust pressure.
- Always spray with the least amount of pressure required to provide the desired spray pattern and rate of application. Spraying at pressures higher than necessary wastes material and can result in an orange peel finish.
- To adjust spray gun pattern, see HVLP Edge II gun manual provided with sprayer.

- Aim gun straight at surface. Tilting gun to direct spray angle causes an uneven finish

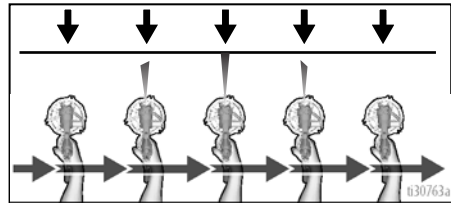


- Flex wrist to keep gun pointed straight. Fanning gun to direct spray at angle causes uneven finish.



Triggering Gun

Pull trigger after starting stroke. Release trigger before end of strike. Gun must be moving when trigger is pulled and released.

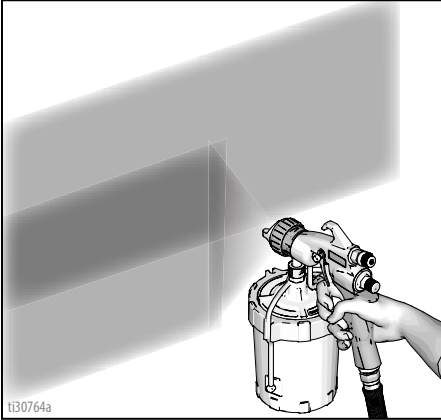


NOTE: To prevent uneven spray pattern, start and end stroke off of work piece surface.

How to Spray

Aiming Gun

Aim center of spray gun at bottom edge of previous stroke, overlapping each stroke by half.



If sprayer does not spray, reference **Troubleshooting**, page 25.

Refilling FlexLiner

1. Perform **Pressure Relief Procedure**, page 10.
2. Reference **Fill FlexLiner System**, page 13.

Refilling Remote Cup

1. Perform **Pressure Relief Procedure**, page 10
2. Reference **Fill Remote Cup (ProComp Models only)**, page 14.

Cleanup

Cleaning your sprayer and gun after every job is important. Proper care and maintenance results in optimal sprayer performance.

Cleaning Filters



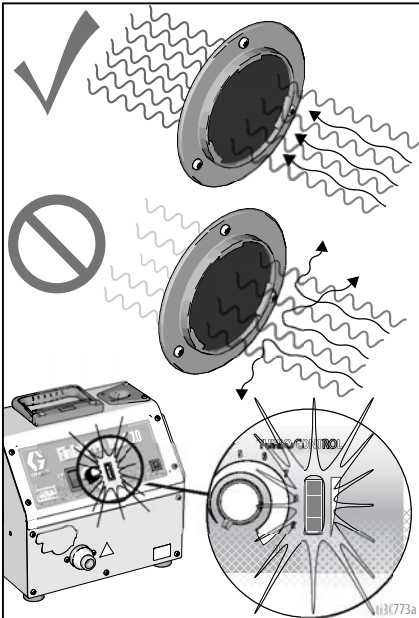
Cleaning the filters with flammable solvents may cause the equipment to ignite or explode. Do not use flammable solvents, such as lacquer thinner, to clean the filters.

The sprayer air filters must be clean at all times to provide sufficient air flow to cool the motor and atomize the fluid.

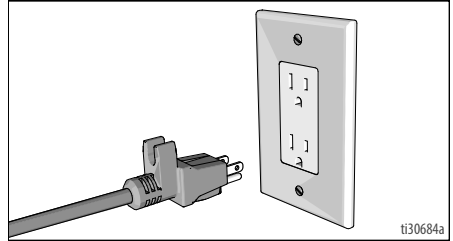
NOTICE

Damage to sprayer can occur if air filters are not cleaned properly.

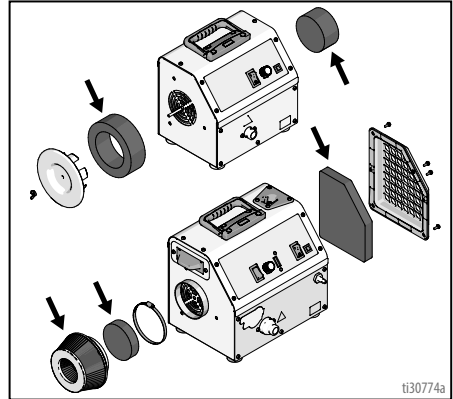
NOTE: ProContractor and ProComp models have a TurboControl LED indicator. Indicator will blink repeatedly to indicate clogged filter.



1. Perform **Pressure Relief Procedure**, page 10.
2. Unplug power cord from power outlet.



3. Remove turbine and motor air filters.



4. Clean air filters and replace as necessary:
 - Tap filter gently on flat surface, dirty side down.
 - Direct compressed air 30 psi (2 bar, 0.2 MPa) through filter from the clean side to the dirty side.

NOTICE

Damage to filter can occur if more than 100 psi (7 bar, 0.7 MPa) is applied.

- Soak filter for 15 minutes in water and mild detergent. Rinse filter until clean. Air dry.

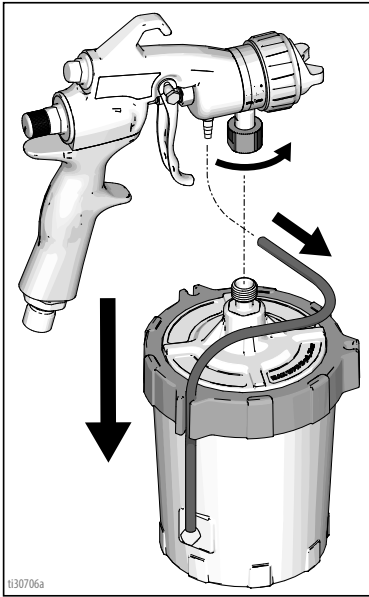
Cleanup

Cleaning FlexLiner System

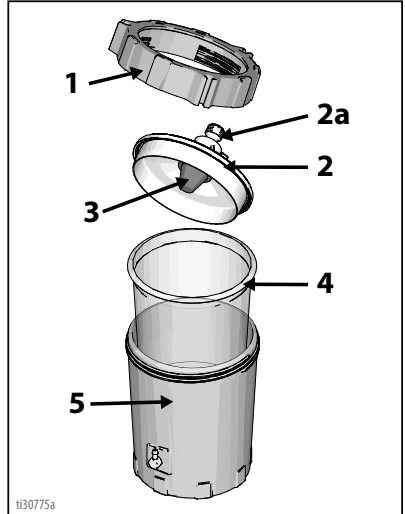
NOTICE

Solvents, such as lacquer thinner, can damage parts of the FlexLiner System. Do NOT immerse parts of the FlexLiner System in solvent.

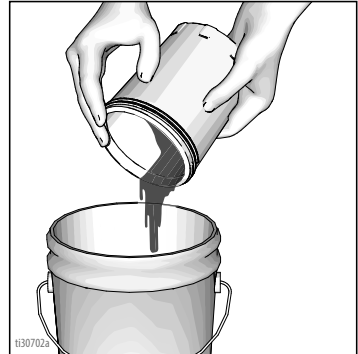
1. Perform **Pressure Relief Procedure**, page 10.
2. Disconnect gun from FlexLiner system.



3. Loosen ring (1) from cup (5). Remove ring (1) and cover (2) from cup. Verify FlexLiner remains in cup upon removal of cover and ring.



4. Return excess fluid to original container. Hold the FlexLiner (4) in place when pouring.



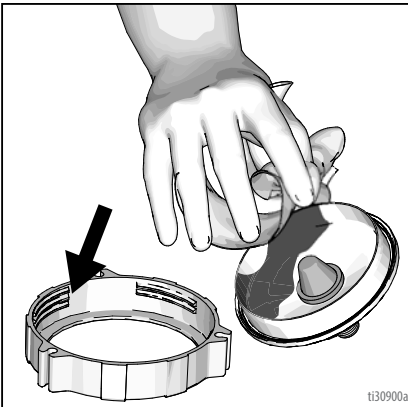
5. It is recommended to dispose of the used FlexLiner (4) and install a new one. If reusing, clean by wiping all excess fluid from FlexLiner (4).



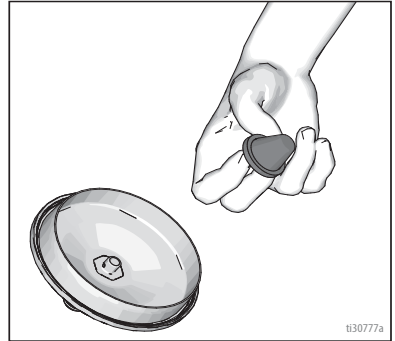
NOTICE

Dispose of FlexLiner, cleaning materials, and unused fluid according to local regulations. Refer to Safety Data Sheet (SDS) of fluids used.

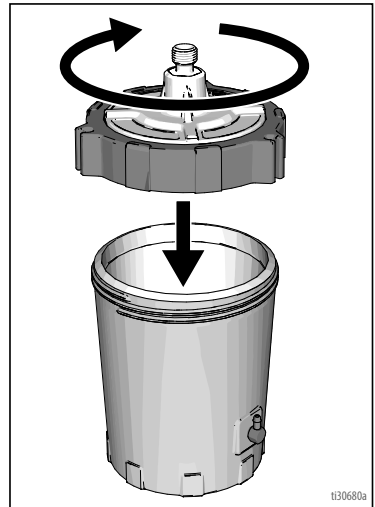
6. Wipe excess fluid from cover (2) and ring (1) of FlexLiner System.



7. Fill the FlexLiner (4) approximately half-full with cleaning fluid (warm water or appropriate solvent).
8. Remove and clean material strainer (3) by flushing with cleaning fluid. Re-install material strainer (3).



9. Install cover (2) and ring (1) onto cup (5).



Cleanup

10. Cover cup fitting (2a) with a rag, shake the entire FlexLiner System for a minimum of ten seconds.

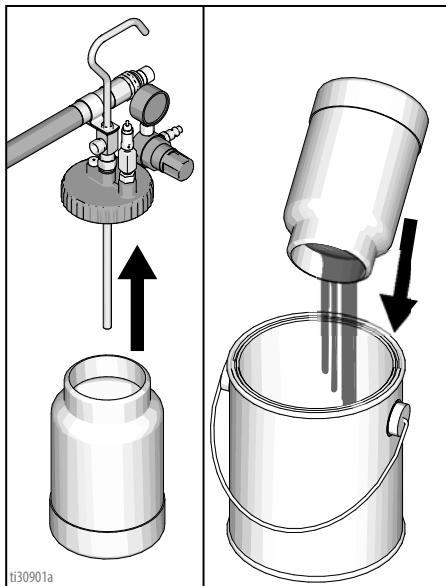


11. Wipe clean and dry all components of FlexLiner System. Properly dispose of cleaning fluid.



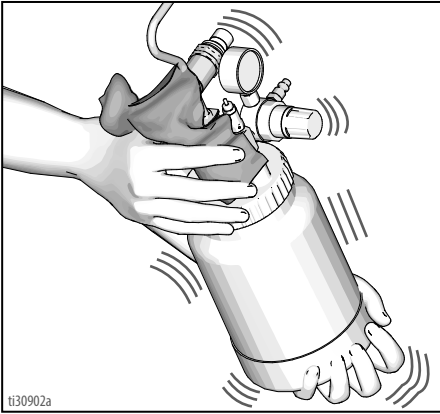
Cleaning ProComp Remote Cup

1. Perform **Pressure Relief Procedure**, page 10.
2. Remove cover from remote cup and return excess fluid to original container.



3. Wipe excess fluid from remote cup and cover.
4. Fill remote cup quarter-full with cleaning fluid (warm water or appropriate solvent).
5. Install cover.

- Cover cup fitting with rag, shake remote cup assembly for a minimum of ten seconds.



- Wipe clean and dry all components of remote cup. Properly dispose of cleaning fluid.

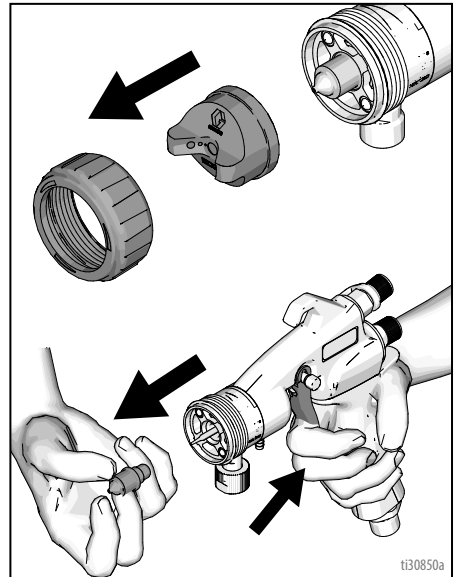
Cleaning HVLP Edge II Gun

NOTICE

Solvents, such as lacquer thinner, can damage parts of the HVLP Edge II gun. Do NOT immerse parts of the HVLP Edge II gun in solvent.

- Remove retaining ring and air cap.
- Trigger the gun and remove fluid nozzle from gun.

NOTE: Edge II Plus guns contain air cap guide and spring held in place by fluid nozzle. Upon removal of fluid nozzle, set aside air cap guide and spring.

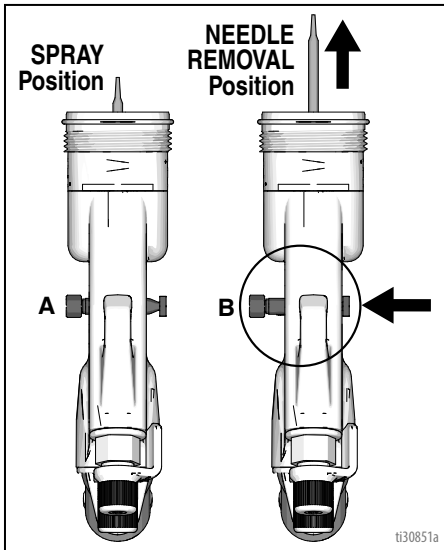


NOTICE

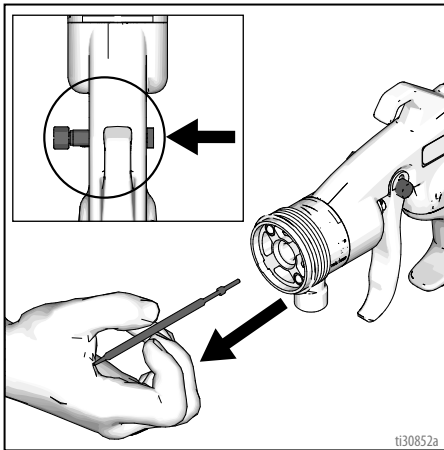
Trigger the gun whenever removing or installing the fluid nozzle. This prevents the fluid nozzle and needle seating surfaces from being damaged.

Cleanup

3. Move trigger slide from **SPRAY** position (A) to **NEEDLE REMOVAL** position (B).



4. Remove needle from front of gun.

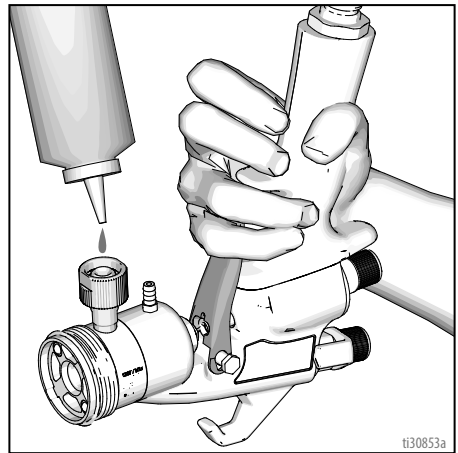


5. Wipe or flush fluid from nozzle and needle. If necessary, clean retaining ring, air cap, air cap guide, and spring.

NOTICE

Do not use metal tools to clean the fluid nozzle or air cap holes as this may scratch them, causing fluid leaks and a distorted spray pattern.

6. Using a squeeze bottle, flush cleaning fluid through the gun. Hold the gun upside down, pull the trigger, and dispense cleaning fluid into the cup connection.



7. Re-install needle and move trigger slide from **NEEDLE REMOVAL** position (B) to **SPRAY** position (A).
8. Trigger the gun and install spring, air cap guide, and fluid nozzle. Install air cap and retaining ring.

Troubleshooting



1. Follow **ProComp Models**, page 9, before checking or repairing.
2. Check all possible problems and causes before disassembling the unit.

Problem	Cause	What to Do
Sprayer not starting	No Power	Check electrical outlet for power. Cycle ON/OFF switch.
		Check that correct power cord is used and plugged in.
		Check circuit breaker. Push to reset.
	Sprayer automatically shut-off while in SmartStart setting (ProContractor and ProComp models only)	Verify air valve prior to gun is open. Trigger gun.
No fluid delivery	No material	Check cup for material. See Fill FlexLiner System , page 13.
	No cup pressurization	Check for leaks in the FlexLiner System. See "FlexLiner System" section, page 27.
		ProComp:
		Check for air leaks from the remote cup cover and gasket. Tighten cover if loose. Clean or replace gasket as necessary.
		Check for air flow from male quick-disconnect at ProComp outlet.
		Turn pressure regulator on remote cup clockwise. Look for pressure on gauge. If no pressure, check air line fittings.
		Check hole in remote cup cover at needle valve for blockage or dirt. Clean if necessary.
	Gun tubing clogged	Check for obstructions in gun tubing. Clean or replace gun tubing if necessary.
	Fluid inlet clogged	FlexLiner System: Check for obstructions in material strainer and inlet fitting.
		ProComp:
Check if fluid pickup tube in remote cup is loose. Tighten.		
	Blow out and clear material hose.	
Trigger pin in UNLOCK position	Check trigger pin location. Must be in SPRAY position.	

Troubleshooting

Problem	Cause	What to Do
Poor atomization	Dirty gun	Clean gun. See Cleaning HVLP Edge II Gun , page 23.
	Dirty air filters	Clean turbine and motor air filters. Replace as necessary. See Cleaning Filters , page 19.
	Extension cord too long	Extension cord must be a 3-wire, 12 AWG (2.5mm ²) minimum, 50 ft (15 m) maximum length.
	Air hose too long	Replace with shorter hose, no shorter than 20 ft (6,1 m)
	Leaking air hose connections	Disconnect and securely connect all hose connections.
Circuit breaker trips	Dirty air filters	Clean turbine and motor air filters. Replace as necessary. See Cleaning Filters , page 19.
	Incorrect power supply voltage	Verify power supply voltage is correct for sprayer model.
	High ambient temperature	Move sprayer to cooler area.
	Excessive current draw	Return to authorized service center.
TurboControl LED Indicator blinks (ProContractor and ProComp models only)	Dirty air filters	Clean turbine and motor air filters. Replace as necessary. See Cleaning Filters , page 19.
Sprayer shutoff while spraying	Circuit breaker	See "Circuit breaker trips" section above.
	Dirty air filters (Blinking TurboControl LED Indicator - ProContractor and ProComp models only)	Clean turbine and motor air filters. Replace as necessary. See Cleaning Filters , page 19.
	SmartStart active (ProContractor and ProComp models only)	Release gun trigger and re-trigger gun. Turn switch to ON position if SmartStart is not desired.
Sprayer does not automatically shut-off while in SmartStart setting (ProContractor and ProComp models only)	Leaking air hose connections	Verify air hose and attached components are those shipped with the sprayer.
		Disconnect air hoses. Verify o-ring is present inside connection fitting at turbine end of hose. If using a whip hose, verify gasket is present inside connection fitting. Securely connect all hose connections.
		Replace with Graco HVLP accessories, if necessary. See pages 34 and 35.
	Gun leaking air	Verify use of Edge II Plus gun. If SmartStart functions when air valve at end of hose is closed, clean gun. See Cleaning HVLP Edge II Gun , page 23. See separate HVLP Edge II Gun manual.

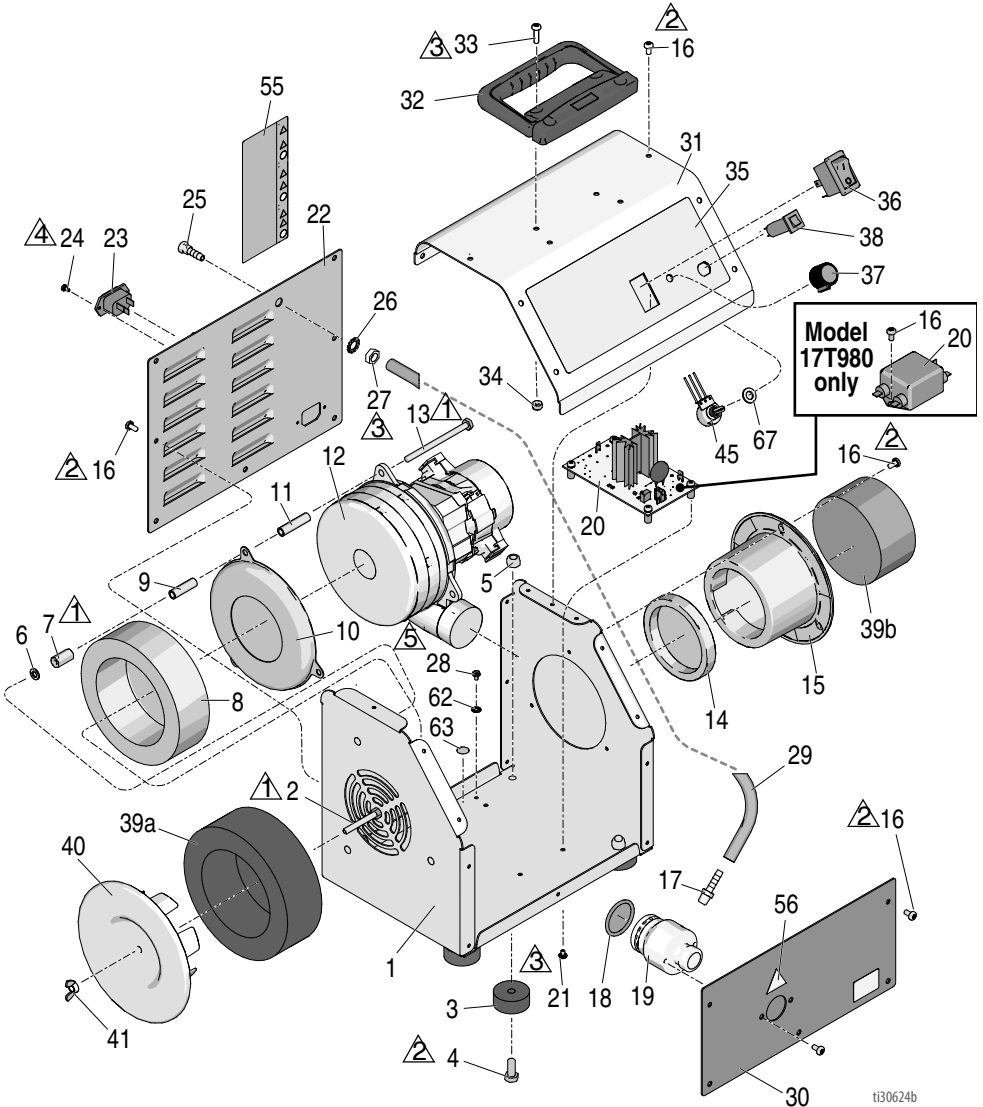
Problem	Cause	What to Do
FlexLiner System:		
FlexLiner does not collapse or collapses slowly	Dirty sealing surfaces	Remove ring, clean sealing surfaces, securely install ring. See Fill FlexLiner System , page 13.
	Incorrect or no air cap installed on gun	Verify Edge II air cap is installed.
	Air cap is loose	Edge II: Verify retaining ring is fully installed.
		Edge II Plus: Verify retaining ring is installed to a position that does not result in a loose air cap.
	Artisan Valve (if installed) is set too low for desired application	Rotate valve clockwise to increase air flow, until the desired flow is achieved.
	Gun tubing	Verify gun tubing is properly connected between the cup and gun.
		Verify gun tubing is not kinked.
Air leaking from cup	Damaged tubing. Remove damaged section of tubing. Replace tubing as necessary. See separate HVLP Edge II gun manual.	
	Damaged connection between cup and air fitting. Verify fitting is fully installed. If necessary, replace FlexLiner System. See separate HVLP Edge II gun manual.	
Fluid leaking between cup and ring	Cup filled too full	Verify cup is not filled above "MAX FILL" line.
	Dirty sealing surfaces	Remove ring, clean sealing surfaces, securely install ring. See Fill FlexLiner System , page 13.
Fluid leaking between cup and gun	Loose cup connection	Tighten connection. Use wrench as needed.
	Damaged o-ring on cup connection	Replace o-ring. Apply grease to o-ring to aid in assembly.
Fluid present at bottom of cup	FlexLiner not installed	Install FlexLiner.
	Damaged FlexLiner	Replace FlexLiner.
Pulsing spray pattern	Air not fully evacuated from FlexLiner System.	See step 3 of Startup , page 13.

Parts

Parts

Standard Models

Ref.	Torque
△1	110-115 in-lb (12.5 - 13.0 N•m)
△2	25-30 in-lb (3.0 - 3.5 N•m)
△3	15-20 in-lb (1.7 - 2.3 N•m)
△4	10-15 in-lb (1.1 - 1.7 N•m)
△5	35-40 in-lb (4.0 - 4.5 N•m)



t130624b

Parts List - Standard Models

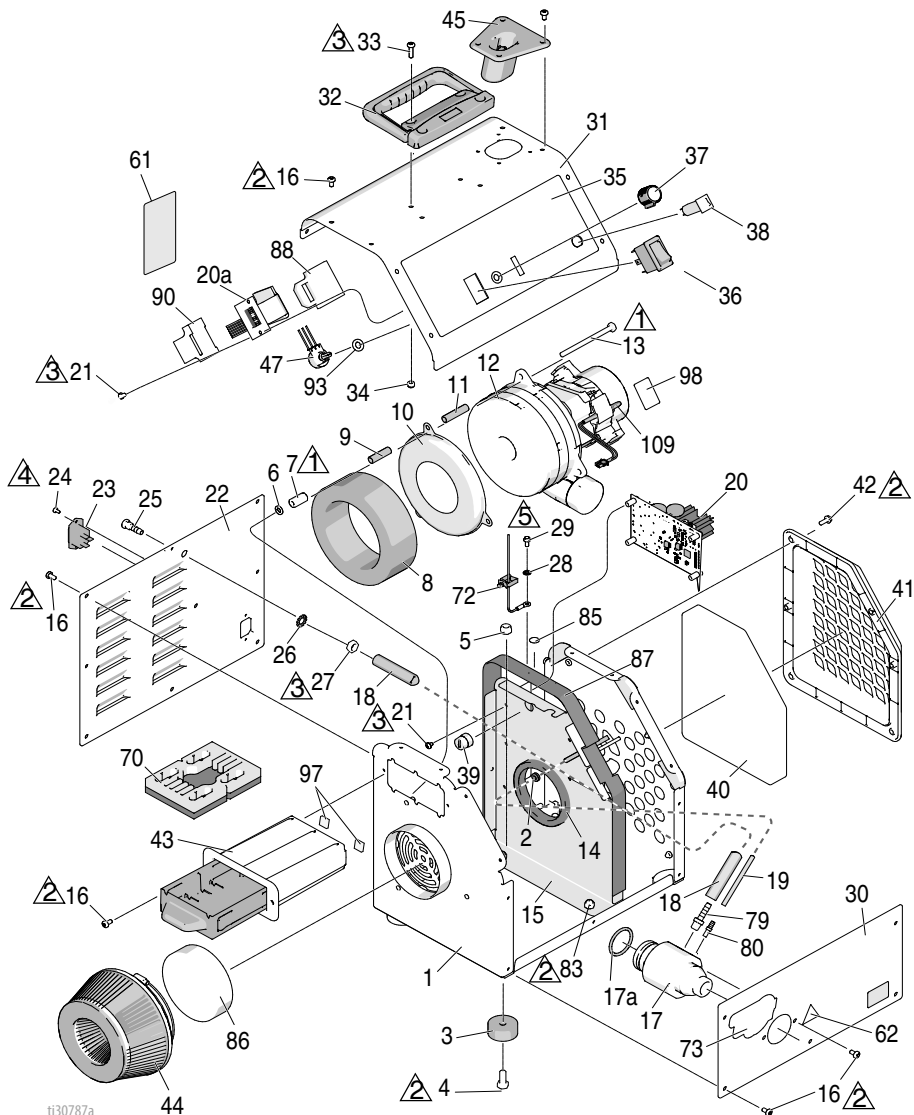
Ref. Part	Description	Qty	Ref. Part	Description	Qty
1	17R054 BOX, bottom, painted	1	21	108860 SCREW, machine	4
2	129531 SCREW, cap hex hd	1	22	17R055 COVER, back, painted	1
3	113817 BUMPER	4	23	114064 PLUG, inlet	1
4	100057 SCREW, cap, hex hd	4	24	15W998 SCREW, mach, torix	2
5	111040 NUT, lock, insert, nylock, 5/16	4	25	17N459 FITTING, barbed, exhaust	1
6	125135 WASHER, flat	3	26	100639 WASHER, lock	1
7	129443 NUT, coupler	3	27	101448 NUT, jam	1
8	GASKET, turbine	1	28	111593 SCREW, grounding	1
	15W153 7.0 Standard		29	17N871 HOSE, air	1
	15W152 9.0 Standard		30	17R056 COVER, front, painted	1
9	SPACER, back, turbine	3	31	17N441 COVER, top	1
	17N374 7.0 Standard		32	17N390 HANDLE, carry, pivot	1
	17N376 9.0 Standard		33	17R608 SCREW, mach, torx pan hd	4
10	194094 PLATE, turbine	1	34	116969 NUT, lock	4
11	SPACER, front, turbine	3	35	LABEL, standard series	1
	17N373 7.0 Standard			17P297 7.0 Standard	
	17N375 9.0 Standard			17P298 9.0 Standard	
				17U103 Model 17T980	
12	KIT, repair, turbine (includes 6, 7, 8, 9, 10, 11, 13, 14, 18)	1	36	120660 SWITCH, rocker	1
	17R936 Model 17N263, 17T980, 17U105		37	17N957 KNOB, potentiometer	1
	17R937 Model 17N264		38	CIRCUIT, breaker	1
	17R939 Models 17P528, 17P534, 17R074			114403 120V Models	
	17R940 Models 17P529, 17P535, 17R075			16A348 230V Models	
13	101530 SCREW, cap	3	39	17R296 KIT, filter (includes 39a, 39b)	1
14	192845 GASKET, duct	1	40	17N387 COVER, filter, turbine	1
15	17N388 HOUSING, filter, inlet, motor	1	41	100011 NUT, wing	1
16	129444 SCREW, machine, torx pan head	23	45	17R946 KIT, repair, potentiometer (includes 37, 67)	1
17	15Y606 FITTING, barbed	1	55▲	17R297 LABEL, warning	1
18	17M388 PACKING, o-ring	1	56▲	15K616 LABEL, caution	1
19	17N436 FITTING, outlet	1	62	102063 WASHER, lock, ext	1
20	KIT, repair, control, board (includes 21)	1	63▲	186620 LABEL, symbol, ground	1
	17R942 120V Models		67	107194 WASHER, plain	1
	17R943 230V Models		69▲	17R747 LABEL, set, international (not shown)	1
	116168 Model 17T980				

▲ Replacement Danger and Warning labels, tags, and cards are available at no cost.

Parts

ProContractor Models

Ref.	Torque
①	110-115 in-lb (12.5 - 13.0 N•m)
②	25-30 in-lb (3.0 - 3.5 N•m)
③	15-20 in-lb (1.7 - 2.3 N•m)
④	10-15 in-lb (1.1 - 1.7 N•m)
⑤	35-40 in-lb (4.0 - 4.5 N•m)



ti30787a

Parts List - ProContractor Models

Parts List - ProContractor Models



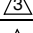




Ref. Part	Description	Qty	Ref. Part	Description	Qty
1	17R057 BOX, bottom, painted	1	29	111593 SCREW, grounding	1
2	129604 GROMMET, rubber	1	30	17N477 COVER, front, painted	1
3	113817 BUMPER	4	31	17N479 COVER, top, painted	1
4	100057 SCREW, cap, hex hd	4	32	17N390 HANDLE, carry, pivot	1
5	111040 NUT, lock, insert, nylock, 5/16	4	33	17R608 SCREW, mach, torx pan hd	4
6	125135 WASHER, flat	3	34	116969 NUT, lock	4
7	129443 NUT, coupler	3	35	LABEL, ProContractor series	1
8	GASKET, turbine	1	17P299	7.0 ProContractor	
	15W153 7.0 ProContractor		17P300	9.0 ProContractor	
	15W152 9.0 ProContractor		17P301	9.5 ProContractor	
	192788 9.5 ProContractor		36	129590 SWITCH, power	1
9	SPACER, back, turbine	3	37	17N957 KNOB, potentiometer	1
	17N374 7.0 ProContractor		38	CIRCUIT BREAKER	1
	17N376 9.0 ProContractor			114403 120V Models	
10	194094 PLATE, turbine	1		16A348 230V Models	
11	SPACER, front, turbine	3	39	114689 BUSHING, strain relief	1
	17N373 7.0 ProContractor		40*	17R298 FILTER, air, motor	1
	17N375 9.0 ProContractor		41	17N467 COVER, filter	1
	17N377 9.5 ProContractor		42	129666 SCREW, mach	4
12	KIT, repair, turbine (includes 6, 7, 8, 9, 10, 11, 13, 14, 17a)	1	43	17N930 DRAWER, tool	1
	17R936 Model 17N265		44*	17R298 FILTER, air, turbine	1
	17R937 Model 17N266		45	17P447 HOLDER, gun	1
	17R938 Model 17N267, 17T982		47	17R948 POTENTIOMETER, assy (includes 21, 37, 88, 90, 93)	1
	17R939 Models 17P530, 17P536, 17R078		61▲	17R297 LABEL, warning	1
	17R940 Models 17P531, 17P537, 17R079		62▲	15K616 LABEL, caution	1
	17R941 Models 17P532, 17P538, 17R080		70	17P909 INSERT, toolbox	1
13	101530 SCREW, cap	3	72	117727 CLIP, wire	1
14	192845 GASKET, duct	1	73	17J933 LABEL, SmartStart	1
15	17N481 PANEL, wall, inner	1	79	15Y606 FITTING, barbed	1
16	129444 SCREW, machine, torx pan head	28	80	M70394 FITTING, barbed	1
17	17N425 VALVE, check	1	83	102040 NUT, lock	2
17a	17M388 PACKING, o-ring	1	85	186620 LABEL, ground	1
18	17N871 HOSE, air	1	86*	17R298 FILTER, air, turbine	1
19	17R093 TUBE, air, sensor	1	87	17P656 GASKET, wall, inner	1
20	KIT, repair, control board (includes 21, 88, 90)	1	88	17P789 GASKET, board, display	1
	17R944 120V Models		90	17R394 GASKET, barrier, ribbon	1
	17R945 230V Models		93	107194 WASHER, plain	1
21	108860 SCREW, machine	6	97	17R769 PAD, drawer	1
22	17R058 COVER, back, painted	1	98	17S011 TAPE, high temp	1
23	114064 PLUG, inlet	1	99▲	17R747 LABEL, set, international (not shown)	1
24	15W998 SCREW, mach, torx	2	109	17R638 THERMISTER, harness	1
25	17N459 FITTING, barbed, exhaust	1			
26	100639 WASHER, lock	1			
27	101448 NUT, jam	1			
28	102063 WASHER, lock	1			

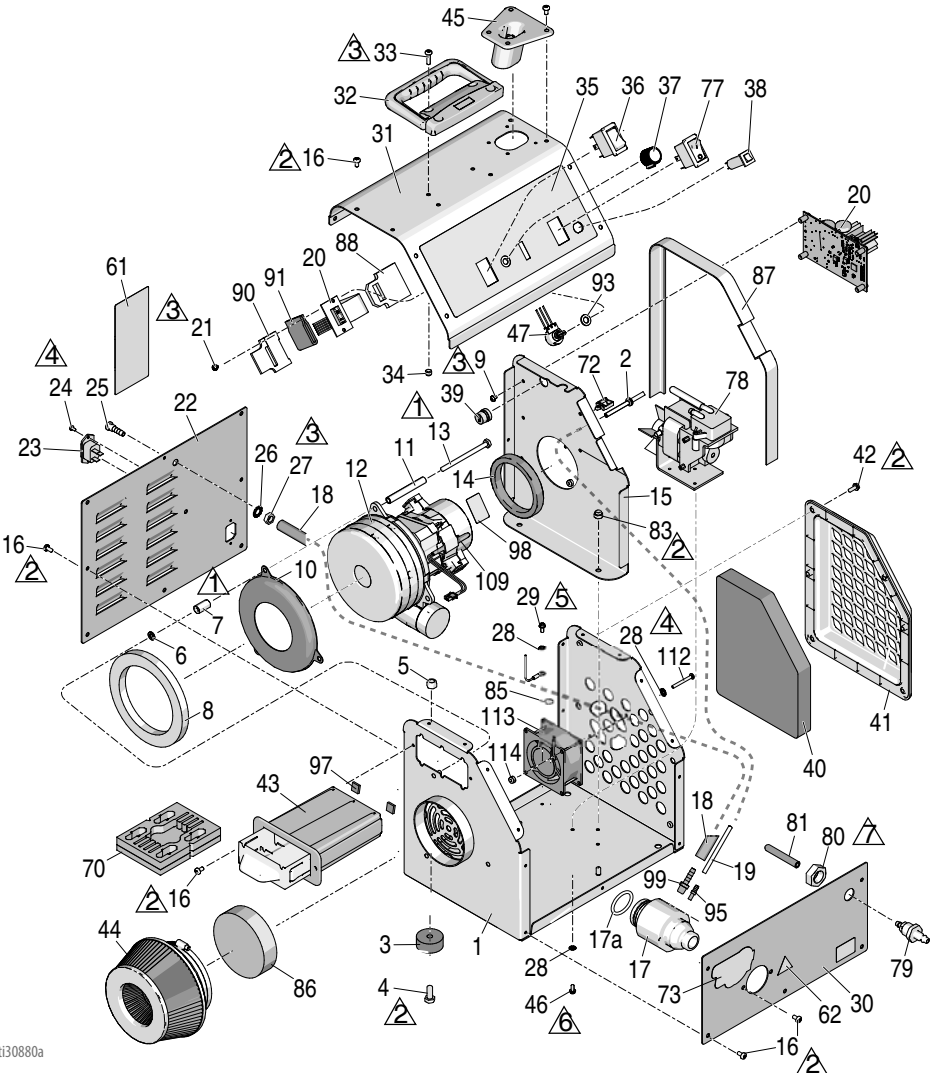
▲ Replacement Danger and Warning labels, tags, and cards are available at no cost.

* Filter Kit 17R298 includes items 40, 44, 86

Parts

ProComp Models

Ref.	Torque
 1	110-115 in-lb (12.5 - 13.0 N•m)
 2	25-30 in-lb (3.0 - 3.5 N•m)
 3	15-20 in-lb (1.7 - 2.3 N•m)
 4	10-15 in-lb (1.1 - 1.7 N•m)
 5	35-40 in-lb (4.0 - 4.5 N•m)
 6	5-8 in-lb (0.5 - 0.9 N•m)
 7	20-23 ft-lb (28.0 - 31.0 N•m)



Parts List - ProComp Models

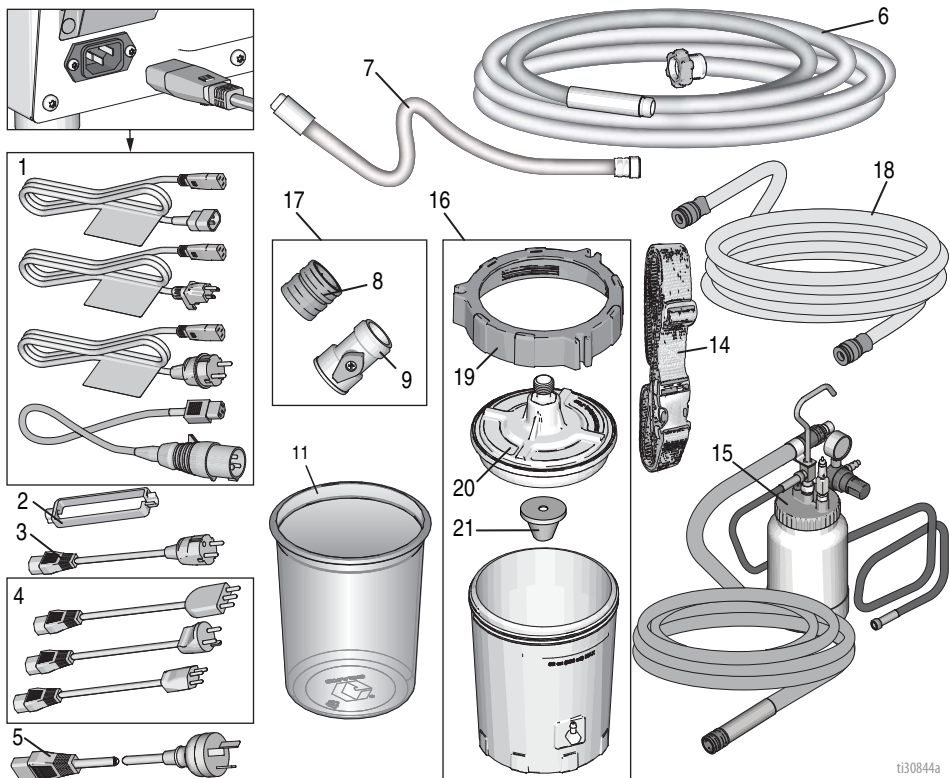
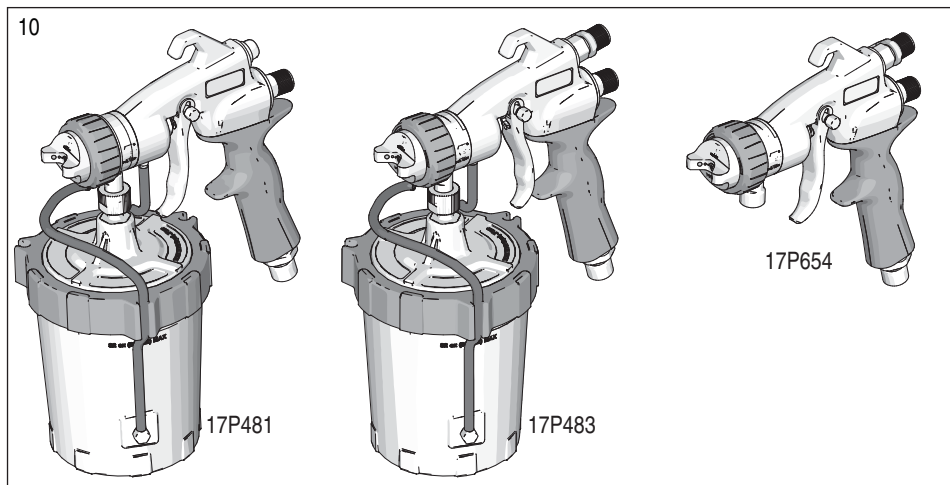
Ref. Part	Description	Qty	Ref. Part	Description	Qty
1	17R057 BOX, bottom, painted	1	39	114689 BUSHING, strain relief	1
2	129604 GROMMET, rubber	1	40*	17R298 FILTER, air, motor	1
3	113817 BUMPER	4	41	17N467 COVER, filter	1
4	100057 SCREW, cap, hex hd	4	42	129666 SCREW, mach	4
5	111040 NUT, lock, insert, nylock, 5/16	4	43	17N930 DRAWER, tool	1
6	125135 WASHER, flat	3	44*	17R298 FILTER, air, turbine	1
7	129443 NUT, coupler	3	45	17P447 HOLDER, gun	1
8	192788 GASKET, turbine	1	46	116431 SCREW, mach, hex wash hd	3
10	194094 PLATE, turbine	1	47	17R948 POTENTIOMETER, assy (includes 21, 37, 88, 90, 91, 93)	1
11	17N377 SPACER, front, turbine	3	61▲	17R297 LABEL, warning	1
12	KIT, repair, turbine (includes 6, 7, 8, 9, 10, 11, 13, 14, 17a)	1	62▲	15K616 LABEL, caution	1
	17R938 Model 17N269		70	17P909 INSERT, toolbox	1
	17R941 Models 17P533, 17P539, 17R081		72	117727 CLIP, wire	1
13	101530 SCREW, cap	3	73	17J933 LABEL, SmartStart	1
14	192845 GASKET, duct	1	77	120660 SWITCH, rocker	1
15	17N481 PANEL, wall, inner	1	78	KIT, repair, compressor (includes 46, 81)	1
16	129444 SCREW, machine, torx pan head	28		17R962 Model 17N269	
17	17N425 VALVE, check	1		17R964 Models 17P533, 17P539, 17R081	
17a	17M388 PACKING, o-ring	1	79	15X246 FITTING, connect, quick	1
18	17N871 HOSE, air	1	80	101936 NUT, jam, hex	2
19	17R093 TUBE, air, sensor	1	81	17R735 TUBE, air	1
20	CONTROL, board, assembly, (includes 21, 88, 90, 91)	1	83	102040 NUT, lock	2
	17R944 Model 17N269		85	186620 LABEL, ground	1
	17R945 Models 17P533, 17P539, 17R081		86*	17R298 FILTER, air, turbine	1
21	108860 SCREW, machine	6	87	17P656 GASKET, wall, inner	1
22	17R058 COVER, back, painted	1	88	17P789 GASKET, board, display	1
23	114064 PLUG, inlet	1	90	17R394 GASKET, barrier, ribbon	1
24	15W998 SCREW, mach, torix	2	91	17R395 GASKET, barrier, ribbon, LED	1
25	17N459 FITTING, barbed, exhaust	1	93	107194 WASHER, plain	1
26	100639 WASHER, lock	1	94	15Y606 FITTING, barbed	1
27	101448 NUT, jam	1	95	M70394 FITTING, barbed	1
28	102063 WASHER, lock	8	97	17R769 PAD, drawer	1
29	111593 SCREW, grounding	1	98	17S011 TAPE, high temp	1
30	17P294 COVER, front	1	99▲	17R747 LABEL, set, international (not shown)	1
31	17R444 COVER, top	1	109	17R638 THERMISTOR, harness	1
32	17N390 HANDLE, carry, pivot	1	112	120094 SCREW	2
33	17R608 SCREW, mach, torx pan hd	4	113	FAN	1
34	116969 NUT, lock	4		17S031 Model 17N269	
35	17P302 LABEL, ProComp 9.5	1		17S141 Models 17P533, 17P539, 17R081	
36	129590 SWITCH, power	1	114	109466 NUT, lock	2
37	17N957 KNOB, potentiometer	1			
38	CIRCUIT BREAKER	1			
	114403 Model 17N269				
	16A348 Models 17P533, 17P539, 17R081				

▲ Replacement Danger and Warning labels, tags, and cards are available at no cost.

* Filter Kit 17R298 includes items 40, 44, 86

Parts - Power Cords & Accessories

Parts - Power Cords & Accessories



t130844a

Parts List - Power Cords & Accessories

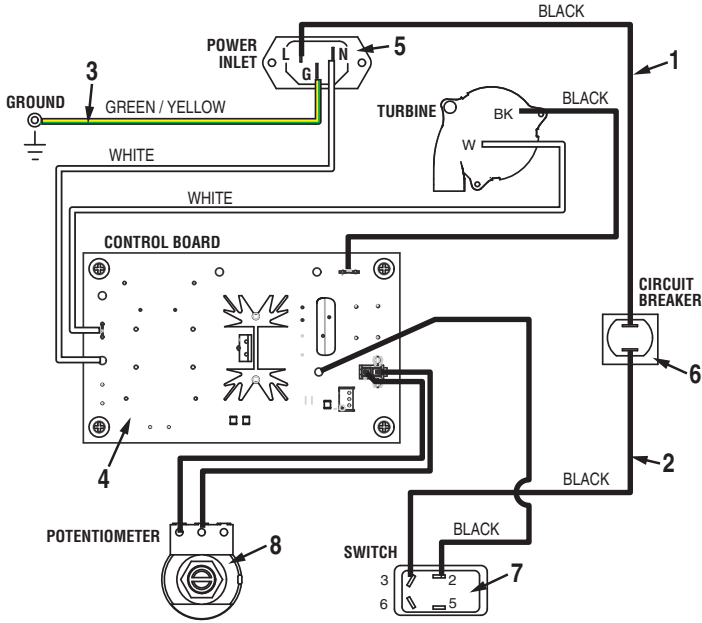
Parts List - Power Cords & Accessories

Ref. Part	Description	Qty	Ref. Part	Description	Qty	
1	CORD, power	1	257159	Models 17N265, 17N266, 17N267, 17N269, 17P530, 17P531, 17P532, 17P533, 17P536, 17P537, 17P538, 17P539, 17R078, 17R079, 17R080, 17R081, 17T982	1	
15W126	Models 17N263, 17N264, 17N265, 17N266, 17N267, 17N269, 17U105					
128206	Models 17P528, 17P529, 17P530, 17P531, 17P532, 17P533		7	17R299	KIT, accessory, 4' air hose, whip (not included on all models)	1
116281	Models 17P534, 17P535, 17P536, 17P537, 17P538, 17P539, 17R074, 17R075, 17R078, 17R079, 17R080, 17R081		8	M70402	FITTING, female, Q.D.	1
241996	Models 17T980, 17T982		9	17P749	VALVE, ball (not included on all models)	1
2	195551	1	10		GUN	1
	RETAINER, plug, adapter, Models 17P534, 17P535, 17P536, 17P537, 17P538, 17P539, 17R074, 17R075, 17R078, 17R079, 17R080, 17R081			17P481	Models 17N263, 17N264, 17P528, 17P529, 17P534, 17P535, 17R074, 17R075, 17T980	
3	242001	1		17P483	Models 17N265, 17N266, 17N267, 17P530, 17P531, 17P532, 17P536, 17P537, 17P538, 17R078, 17R079, 17R080, 17T982	
	CORD, set, adapter, Europe, Models 17P534, 17P535, 17P536, 17P537, 17P538, 17P539, 17R074, 17R075, 17R078, 17R079, 17R080, 17R081			17P654	Models 17N269, 17P533, 17P539, 17R081	
4	287121	1	11	17A226	3 pack	1
	CORD, set, adapter, Italy/Denmark/Switzerland, Models 17P534, 17P535, 17P536, 17P537, 17P538, 17P539			17P212	25 pack	
5	242005	1	14	256959	STRAP, remote, cup (Pro-Comp models only)	1
	CORD, set, adapter, Australia, Models 17R074, 17R075, 17R078, 17R079, 17R080, 17R081		15	287819	KIT, cup, 2qt, complete (ProComp models only)	1
6	17R300	1	16	17R462	KIT, cup, FlexLiner System (includes 11, 19, 20, 21)	1
	KIT, accessory, hose, air Models 17N263, 17N264, 17P528, 17P529, 17P534, 17P535, 17R074, 17R075, 17T980		17	17R301	VALVE, air control (includes 8 & 9)	1
			18	240488	HOSE, air, clear, 30 ft (Pro-Comp models only)	1
			19	17P237	RING	1
			20	17P222	COVER	1
			21	193218	STRAINER	1

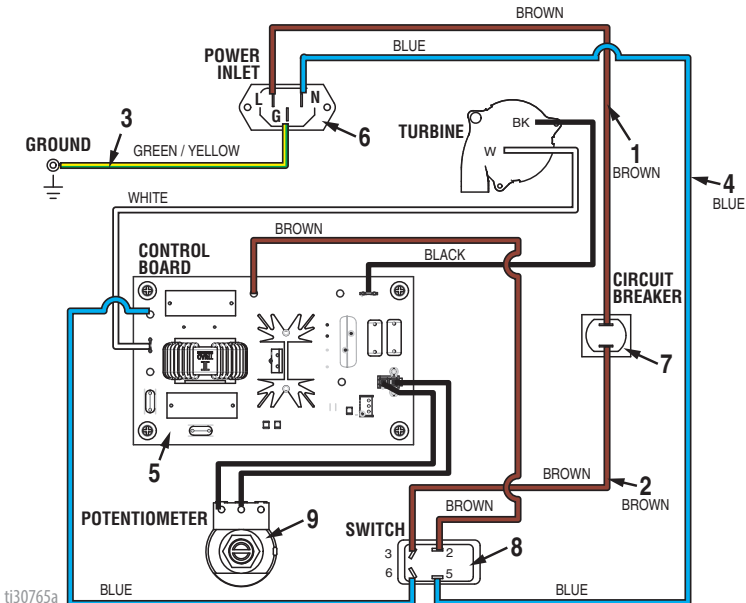
Wiring Diagrams (Standard)

Wiring Diagrams (Standard)

120V WIRING DIAGRAM



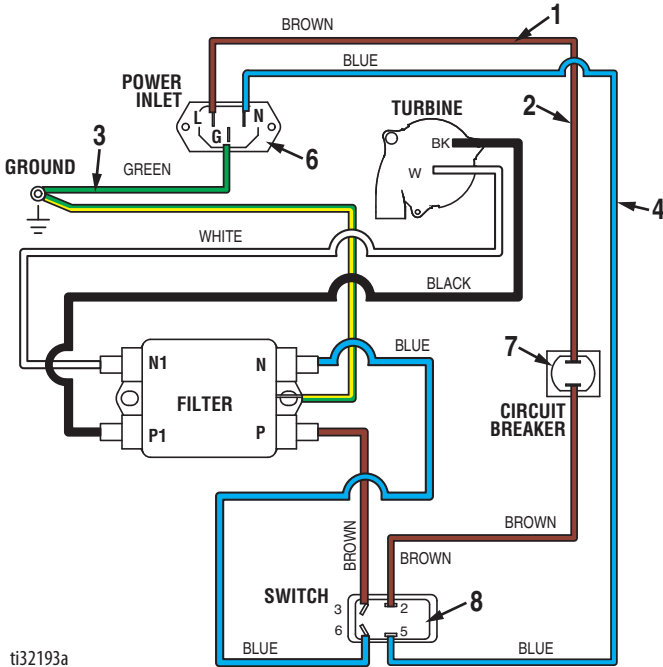
230V WIRING DIAGRAM



ti30765a

Wiring Diagrams (Standard)

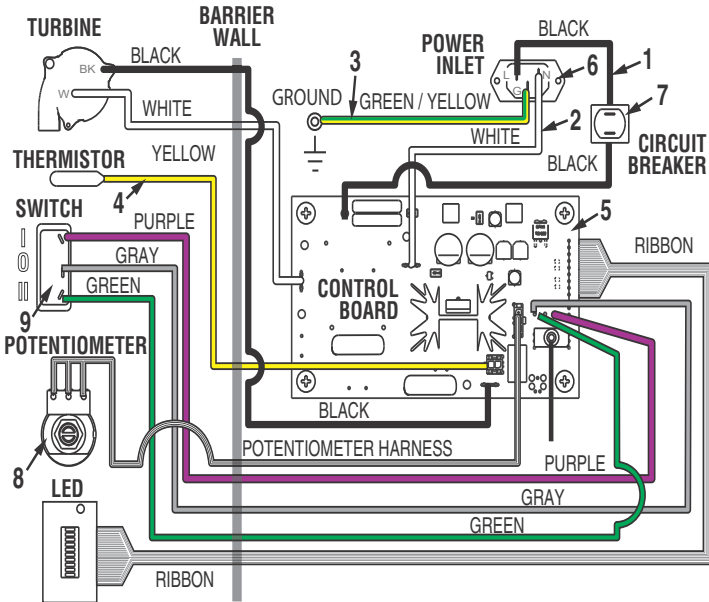
120V UK WIRING DIAGRAM (Model 17T980)



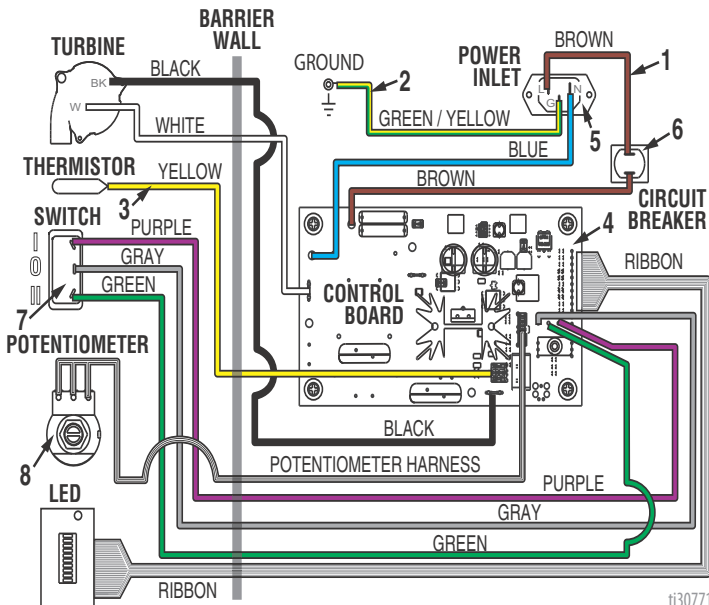
ti32193a

Wiring Diagrams (ProContractor)

120V WIRING DIAGRAM



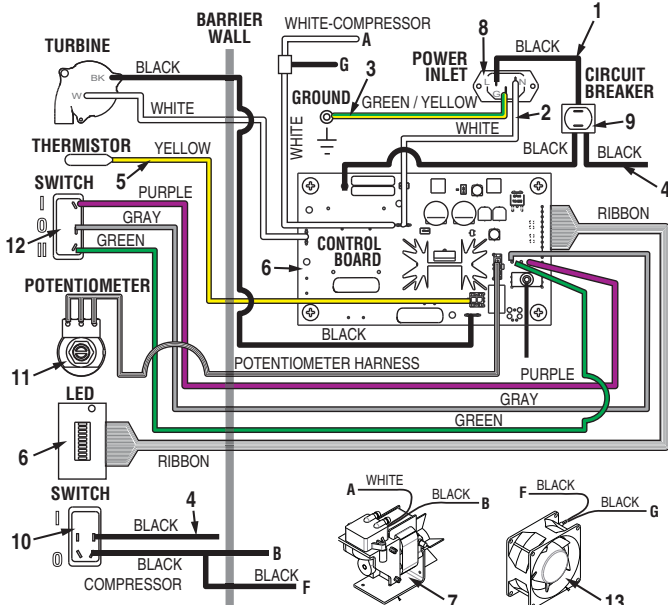
120V UK & 230V WIRING DIAGRAM



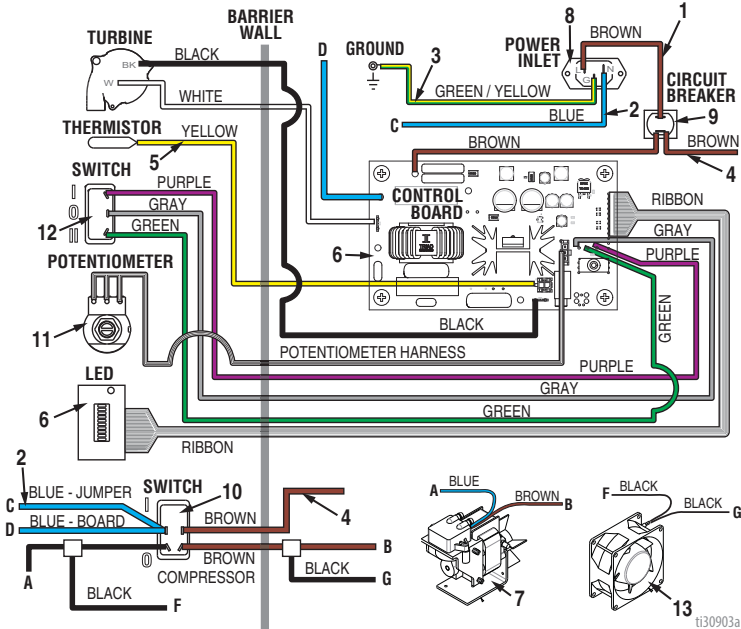
ti30771a

Wiring Diagrams (ProComp)

120V WIRING DIAGRAM



230V WIRING DIAGRAM



Technical Specifications

Technical Specifications

FinishPro HVLP 7.0/9.0 Standard		
	US	Metric
FinishPro 7.0		
Maximum Amperage	11.0	6,0
Watts	1200	
Electrical Power Requirement	120 VAC, 50/60 Hz, 15A	220-240 VAC, 50/60Hz, 10A
Maximum Hose Length	40 ft	12,2 m
Sprayer Weight	18 lb	8,2 kg
Total Weight	24 lb	10,9 kg
Noise* (dBa)		
Sound pressure	82 dBa	
Sound power	94.9 dBa	
FinishPro 9.0		
Maximum Amperage	12.0	6,5
Watts	1300	
Electrical Power Requirement	120 VAC, 50/60 Hz, 15A	220-240 VAC, 50/60Hz, 10A
Maximum Hose Length	60 ft	18,3 m
Sprayer Weight	19 lb	8,6 kg
Total Weight	25 lb	11,3 kg
Noise* (dBa)		
Sound pressure	83.0 dBa	
Sound power	95.9 dBa	
Materials of Construction		
Wetted materials on all models	zinc- and nickel-plated carbon steel, nylon, stainless steel, PTFE, Acetal, leather, UHMWPE, aluminum, tungsten carbide, polyethylene, fluoroelastomer, urethane	
Notes		
*Sound pressure measured 3 feet (1 meter) from equipment. Sound power measured per ISO-3744.		

Technical Specifications

FinishPro HVLP 7.0/9.0/9.5 ProContractor		
	US	Metric
FinishPro 7.0		
Maximum Amperage	11.0	6,0
Watts	1200	
Electrical Power Requirement	120 VAC, 50/60 Hz, 15A	220-240 VAC, 50/60Hz, 10A
Maximum Hose Length	40 ft	12,2 m
Sprayer Weight	23 lb	10,4 kg
Total Weight	33 lb	15,0 kg
Noise* (dBa)		
Sound pressure	82 dBa	
Sound power	94.9 dBa	
FinishPro 9.0		
Maximum Amperage	12.0	6,5
Watts	1300	
Electrical Power Requirement	120 VAC, 50/60 Hz, 15A	220-240 VAC, 50/60Hz, 10A
Maximum Hose Length	60 ft	18,3 m
Sprayer Weight	24 lb	10,9 kg
Total Weight	34 lb	15,4 kg
Noise* (dBa)		
Sound pressure	83.0 dBa	
Sound power	95.9 dBa	
FinishPro 9.5		
Maximum Amperage	13.5	8,0
Watts	1600	
Electrical Power Requirement	120 VAC, 50/60 Hz, 15A	220-240 VAC, 50/60Hz, 10A
Maximum Hose Length	60 ft	18,3 m
Sprayer Weight	26 lb	11,8 kg
Total Weight	36 lb	16,3 kg
Noise* (dBa)		
Sound pressure	83.4 dBa	
Sound power	96.3 dBa	
Materials of Construction		
Wetted materials on all models	zinc- and nickel-plated carbon steel, nylon, stainless steel, PTFE, Acetal, leather, UHMWPE, aluminum, tungsten carbide, polyethylene, fluoroelastomer, urethane	
Notes		
<i>*Sound pressure measured 3 feet (1 meter) from equipment. Sound power measured per ISO-3744.</i>		

Technical Specifications

FinishPro HVLP 9.5 ProComp		
	US	Metric
FinishPro 9.5		
Maximum Amperage	15.0	9,0
Watts	1800	
Electrical Power Requirement	120 VAC, 50/60 Hz, 15A	220-240 VAC, 50/60Hz, 10A
Maximum Hose Length	60 ft	18,3 m
Sprayer Weight	30 lb	13,6 kg
Total Weight	46 lb	20,9 kg
Noise* (dBa)		
Sound pressure	83.4 dBa	
Sound power	96.3 dBa	
Materials of Construction		
Wetted materials on all models	zinc- and nickel-plated carbon steel, nylon, stainless steel, PTFE, Acetal, leather, UHMWPE, aluminum, tungsten carbide, polyethylene, fluoroelastomer, urethane	
Notes		
<i>*Sound pressure measured 3 feet (1 meter) from equipment. Sound power measured per ISO-3744.</i>		

Graco Standard Warranty

Graco warrants all equipment referenced in this document which is manufactured by Graco and bearing its name to be free from defects in material and workmanship on the date of sale to the original purchaser for use. With the exception of any special, extended, or limited warranty published by Graco, Graco will, for a period of twelve months from the date of sale, repair or replace any part of the equipment determined by Graco to be defective. This warranty applies only when the equipment is installed, operated and maintained in accordance with Graco's written recommendations.

This warranty does not cover, and Graco shall not be liable for general wear and tear, or any malfunction, damage or wear caused by faulty installation, misapplication, abrasion, corrosion, inadequate or improper maintenance, negligence, accident, tampering, or substitution of non-Graco component parts. Nor shall Graco be liable for malfunction, damage or wear caused by the incompatibility of Graco equipment with structures, accessories, equipment or materials not supplied by Graco, or the improper design, manufacture, installation, operation or maintenance of structures, accessories, equipment or materials not supplied by Graco.

This warranty is conditioned upon the prepaid return of the equipment claimed to be defective to an authorized Graco distributor for verification of the claimed defect. If the claimed defect is verified, Graco will repair or replace free of charge any defective parts. The equipment will be returned to the original purchaser transportation prepaid. If inspection of the equipment does not disclose any defect in material or workmanship, repairs will be made at a reasonable charge, which charges may include the costs of parts, labor, and transportation.

THIS WARRANTY IS EXCLUSIVE, AND IS IN LIEU OF ANY OTHER WARRANTIES, EXPRESS OR IMPLIED, INCLUDING BUT NOT LIMITED TO WARRANTY OF MERCHANTABILITY OR WARRANTY OF FITNESS FOR A PARTICULAR PURPOSE.

Graco's sole obligation and buyer's sole remedy for any breach of warranty shall be as set forth above. The buyer agrees that no other remedy (including, but not limited to, incidental or consequential damages for lost profits, lost sales, injury to person or property, or any other incidental or consequential loss) shall be available. Any action for breach of warranty must be brought within two (2) years of the date of sale.

GRACO MAKES NO WARRANTY, AND DISCLAIMS ALL IMPLIED WARRANTIES OF MERCHANTABILITY AND FITNESS FOR A PARTICULAR PURPOSE, IN CONNECTION WITH ACCESSORIES, EQUIPMENT, MATERIALS OR COMPONENTS SOLD BUT NOT MANUFACTURED BY GRACO. These items sold, but not manufactured by Graco (such as electric motors, switches, hose, etc.), are subject to the warranty, if any, of their manufacturer. Graco will provide purchaser with reasonable assistance in making any claim for breach of these warranties.

In no event will Graco be liable for indirect, incidental, special or consequential damages resulting from Graco supplying equipment hereunder, or the furnishing, performance, or use of any products or other goods sold hereto, whether due to a breach of contract, breach of warranty, the negligence of Graco, or otherwise.

FOR GRACO CANADA CUSTOMERS

The Parties acknowledge that they have required that the present document, as well as all documents, notices and legal proceedings entered into, given or instituted pursuant hereto or relating directly or indirectly hereto, be drawn up in English. Les parties reconnaissent avoir convenu que la rédaction du présente document sera en Anglais, ainsi que tous documents, avis et procédures judiciaires exécutés, donnés ou intentés, à la suite de ou en rapport, directement ou indirectement, avec les procédures concernées.

Graco Information

For the latest information about Graco products, visit www.graco.com.

For patent information, see www.graco.com/patents.

TO PLACE AN ORDER, contact your Graco distributor or call 1-800-690-2894 to identify the nearest distributor.

All written and visual data contained in this document reflects the latest product information available at the time of publication.

Graco reserves the right to make changes at any time without notice.

Original instructions. This manual contains English. MM 3A4967

Graco Headquarters: Minneapolis
International Offices: Belgium, China, Japan, Korea

GRACO INC. AND SUBSIDIARIES • P.O. BOX 1441 • MINNEAPOLIS MN 55440-1441 • USA

Copyright 2014, Graco Inc. All Graco manufacturing locations are registered to ISO 9001.

www.graco.com
Revision B, September 2017