

HOME

DECORATORS
COLLECTION

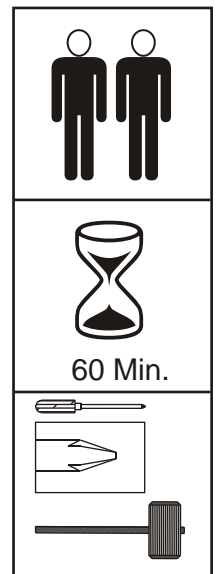
HAWTHORNE 4 + 2 DRAWER CHEST 48.5"Hx37"W

SKU# 3064000120R - DARK CHERRY

SKU# 3064000550R - OAK

SKU# 3064000410R - WHITE

SKU# 3064000210 - BLACK

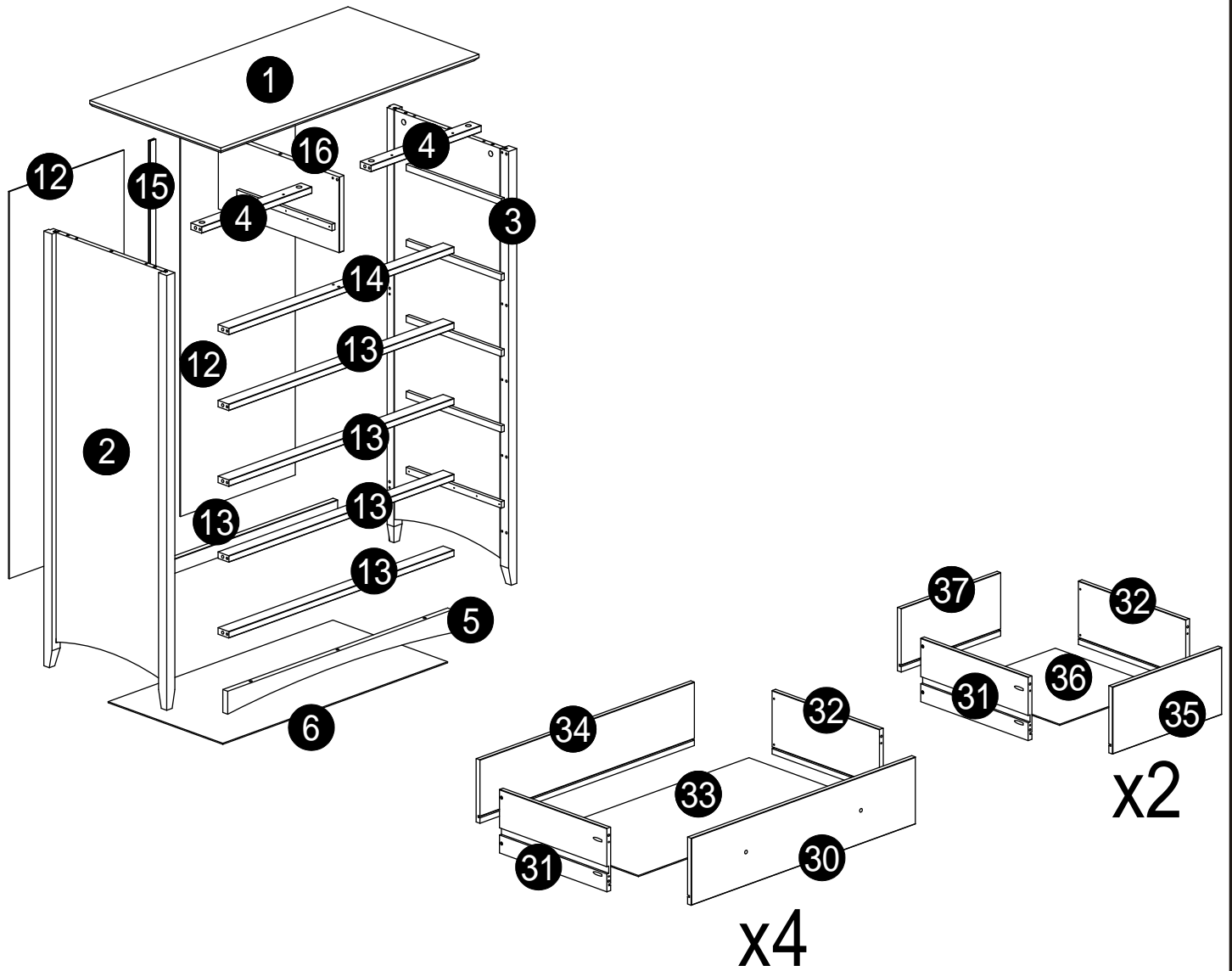


BEFORE BEGINNING ASSEMBLY, CHECK TO MAKE SURE ALL PARTS AND HARDWARE ARE ACCOUNTED FOR.

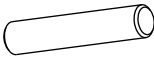
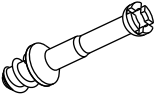

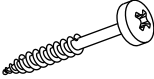
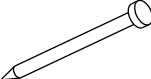
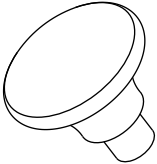
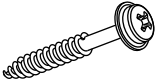
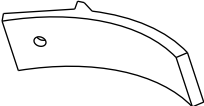

IT IS SUGGESTED THAT YOU SAVE THE CARTON AND PACKING MATERIAL UNTIL AFTER ASSEMBLY IS COMPLETED SELECT A CLEAN, SMOOTH SURFACE TO WORK (SUCH AS CARPET). THEN, FOLLOW THE EASY STEPS BELOW.

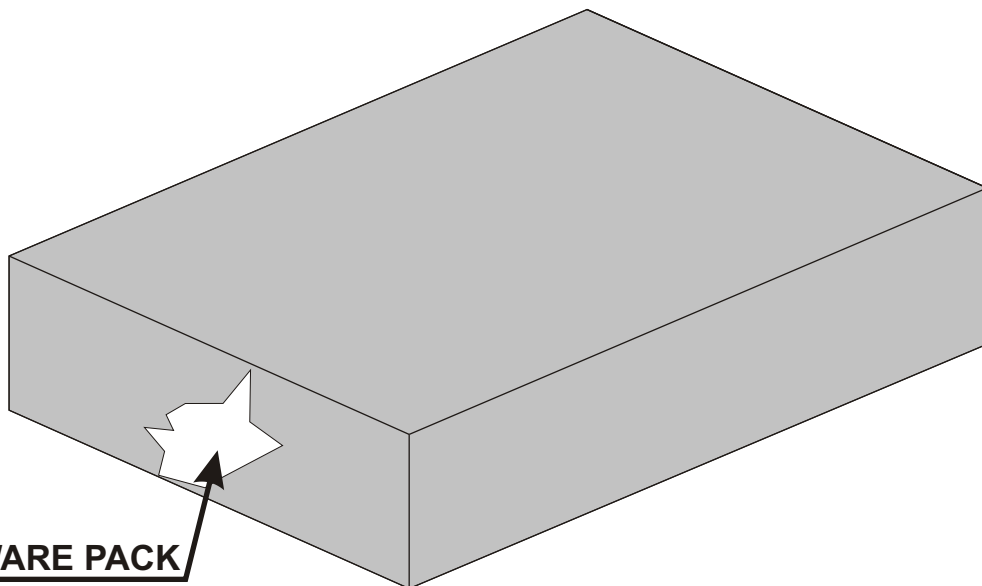
IF PARTS ARE MISSING, PLEASE CALL 1-800-998-7021 FOR INFORMATION.

MADE IN BRAZIL
16 02 04 2



Part#	Qty	Description	Sizes (w x d x h)
1	1	Top	37 3/8" X 19" X 3/4"
2	1	Left Side	47 1/8" X 17 13/16" X 1 5/8"
3	1	Right Side	47 1/8" X 17 13/16" X 1 5/8"
4	2	Rail	15 15/16" X 1 9/16" X 11/16"
5	1	Front Rail	32 9/16" X 2 1/2" X 11/16"
6	1	Bottom Panel	32 9/16" X 16 5/8" X 1/8"
16	1	Divider	17 1/2" X 8 5/16" X 1 9/16"
12	2	Back Panel	42 1/2" X 16 5/8" X 1/8"
15	1	Panel Connector	42 1/2" X 13/16" X 1/4"
14	1	Rail	32 5/16" X 1 9/16" X 11/16"
13	5	Rail	32 5/8" X 1 9/16" X 11/16"
30	4	Large Drawer Front	32 1/2" X 7 3/8" X 9/16"
31	6	Left Drawer Side	15 9/16" X 6 15/16" X 9/16"
32	6	Right Drawer Side	15 9/16" X 6 15/16" X 9/16"
33	4	Large Drawer Bottom	31 9/16" X 15 1/2" X 1/8"
34	4	Large Drawer Back	31 1/16" X 6 15/16" X 9/16"
35	2	Small Drawer Front	15 13/16" X 7 3/8" X 9/16"
36	2	Small Drawer Bottom	14 7/8" X 15 1/2" X 1/8"
37	1	Small Drawer Back	14 7/16" X 6 15/16" X 9/16"

A	 1/4" x 1 3/16"	50
B		31
C		31
D	 1/8" x 1 3/16"	48
E	 1/16" x 7/8"	30
F		10
G	 1/8" x 1 3/16"	10
H		10
I	 1/8" x 5/8"	10

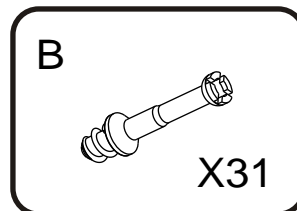
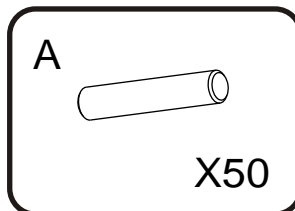
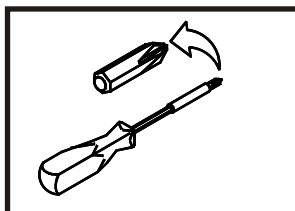
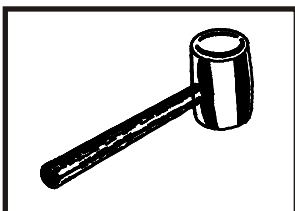
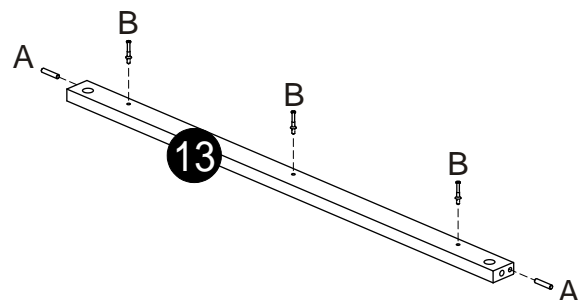
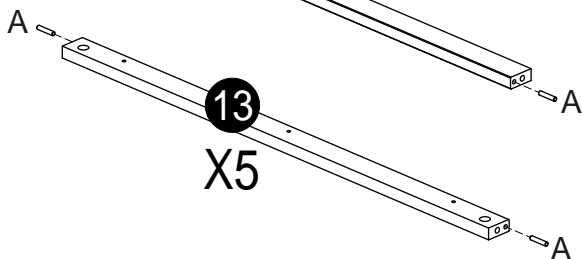
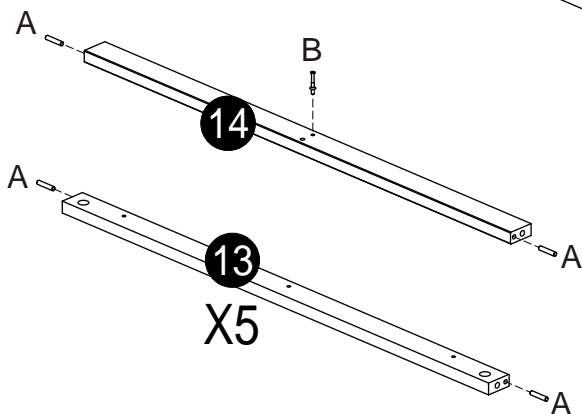
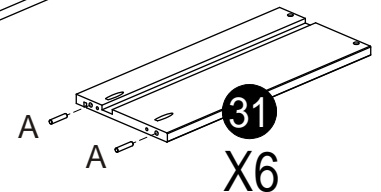
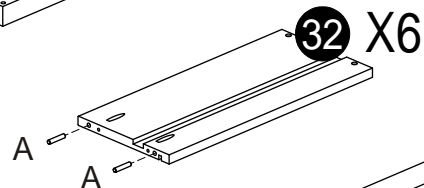
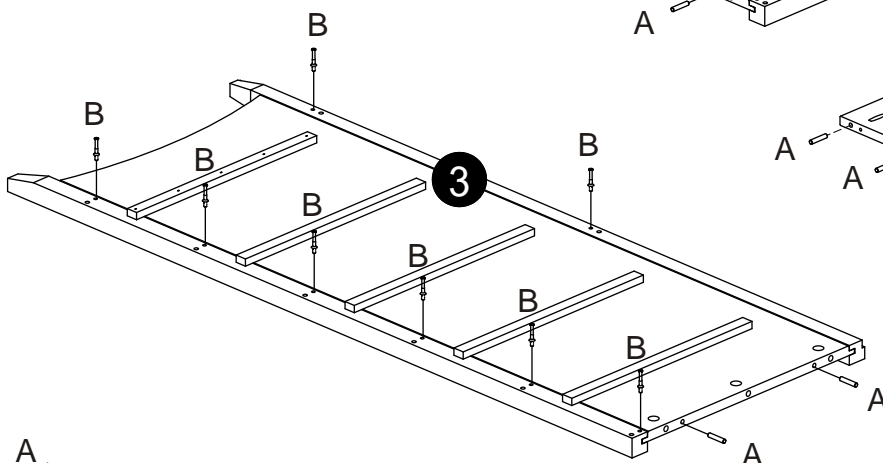
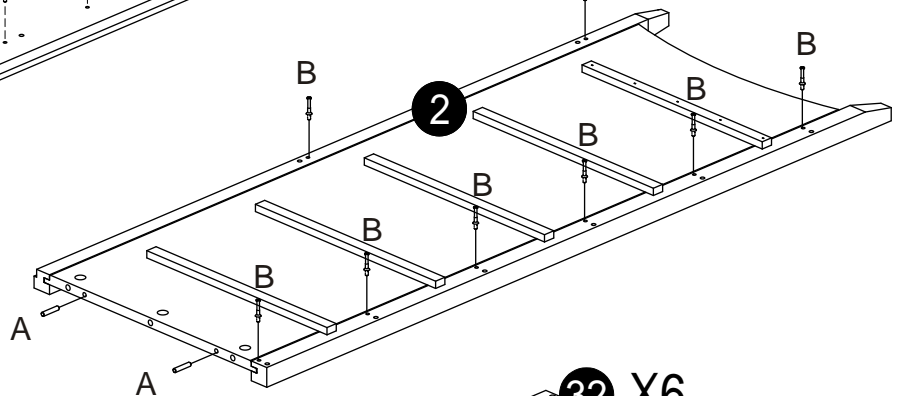
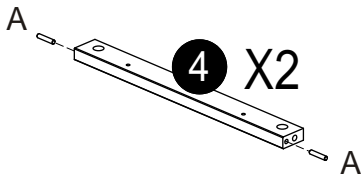
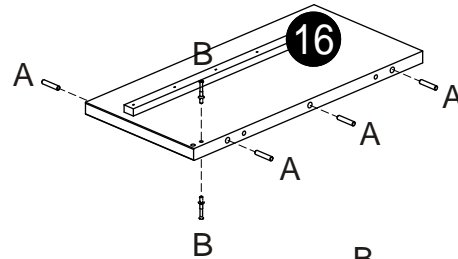
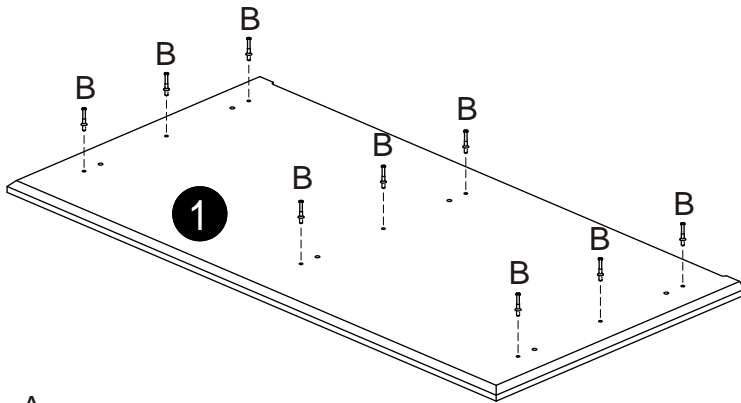


HARDWARE PACK

STEP 1

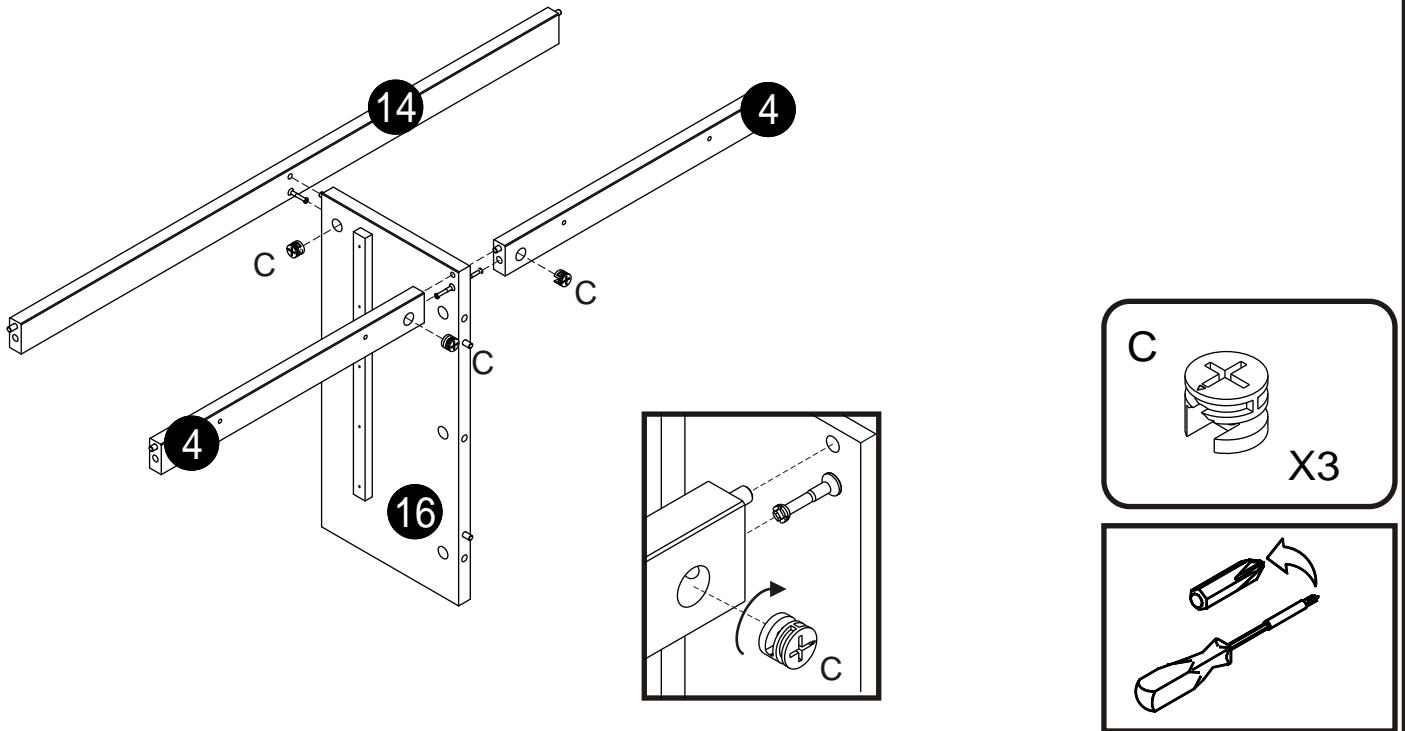
1. Prepare for future assembly by:

- * Insert wood dowels (A) into all drawer sides (31) & (32)
- * Insert wood dowels (A) into all rails (4), (13 & (14)
- * Insert wood dowels (A) into the side parts (2) & (3)
- * Insert wood dowels (A) into the divider (16)
- * screw mini-fix pins (B) into the top panel (1)
- * screw mini-fix pins (B) into the side parts (2) & (3)
- * screw mini-fix pins (B) into the rails (13) & (14)
- * screw mini-fix pins (B) into the divider (16)



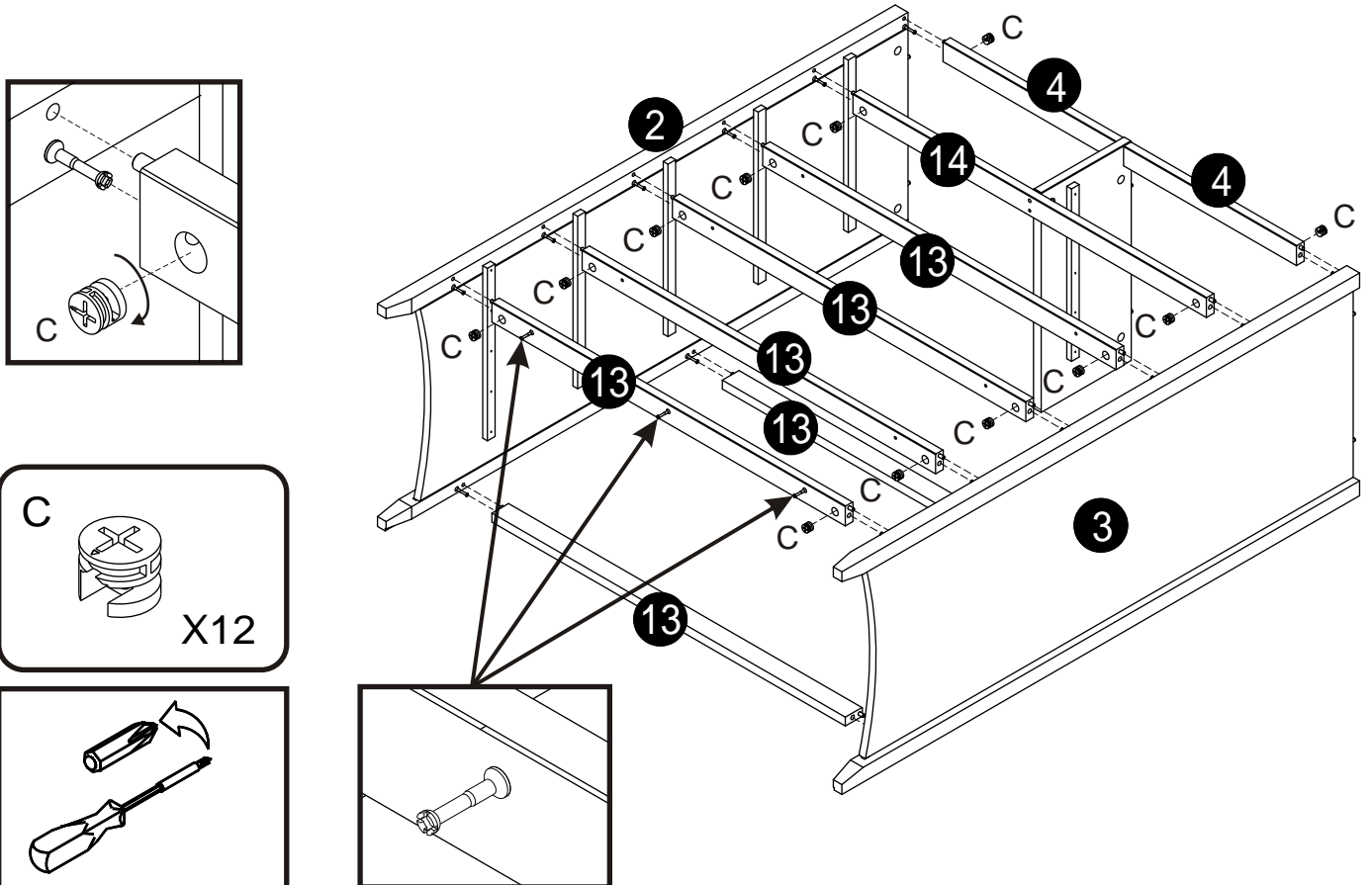
STEP 2

2. Using the dowels and mini-fix pins previously attached in step 1 as guide, assemble the rails (4) & (14) to divider (16) as shown. Secure the rails to the divider using mini-fix drums (C) in a clockwise motion as shown:



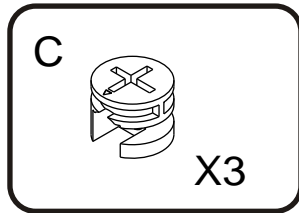
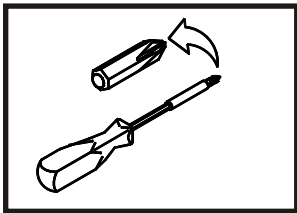
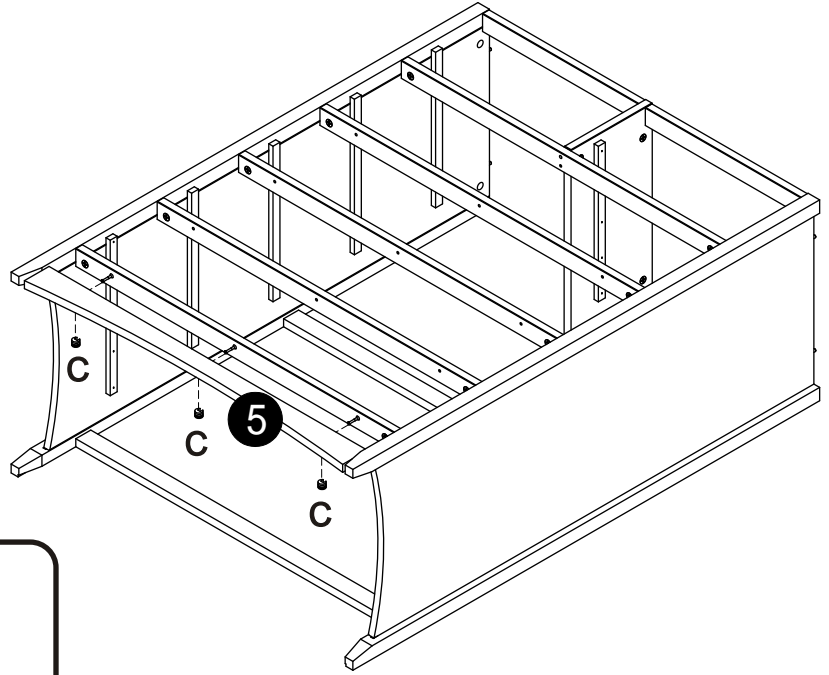
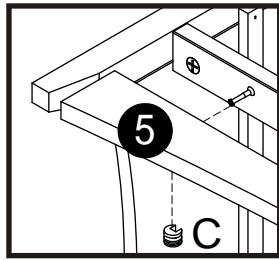
STEP 3

3. Using the dowels and mini-fix pins previously attached in step 1 as guide, assemble the rails (4), (13) & (14) to side (2) as shown. Next align and attach the side (3) making sure all dowels and holes are matched up. Secure the rails to the sides using mini-fix drums (C) in a clockwise motion as shown:



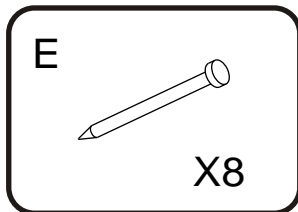
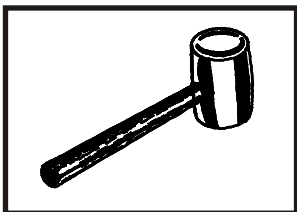
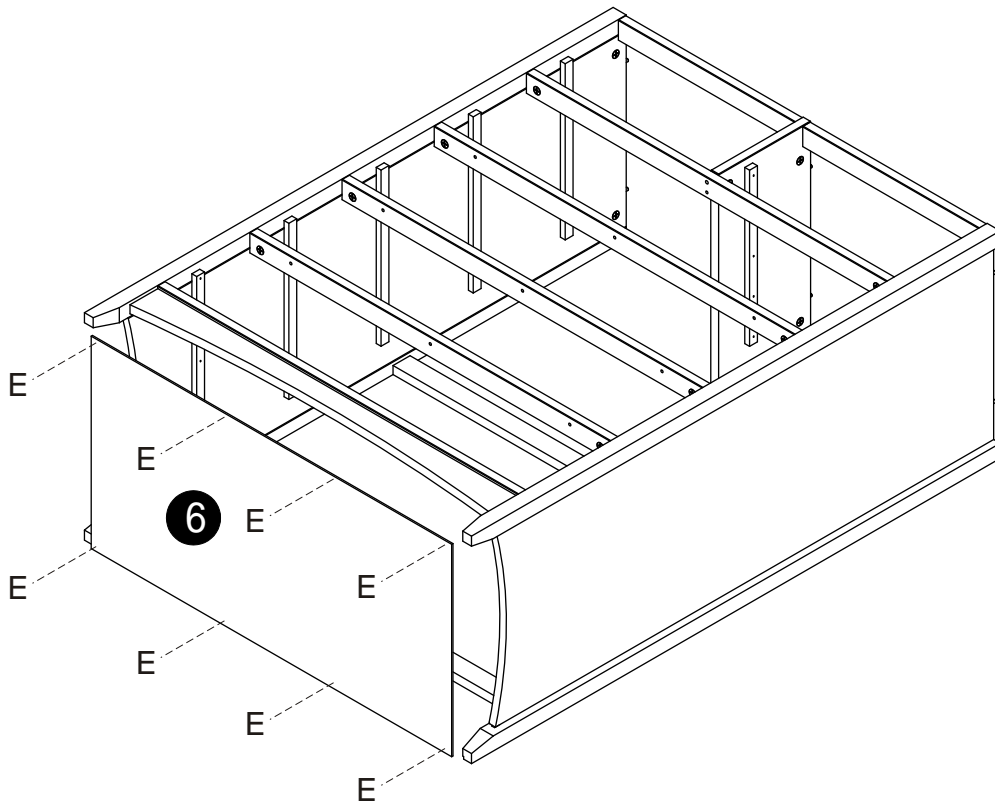
STEP 4

4. Attach the front rail (5) to the bottom rail (13) using the mini-fix pins as guides, secure using mini-fix drums (C) as shown.



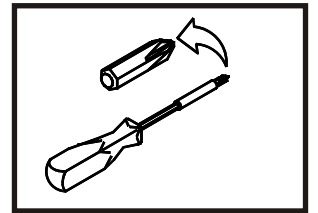
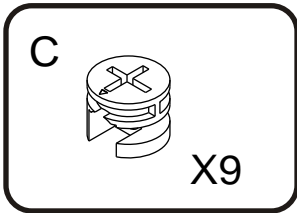
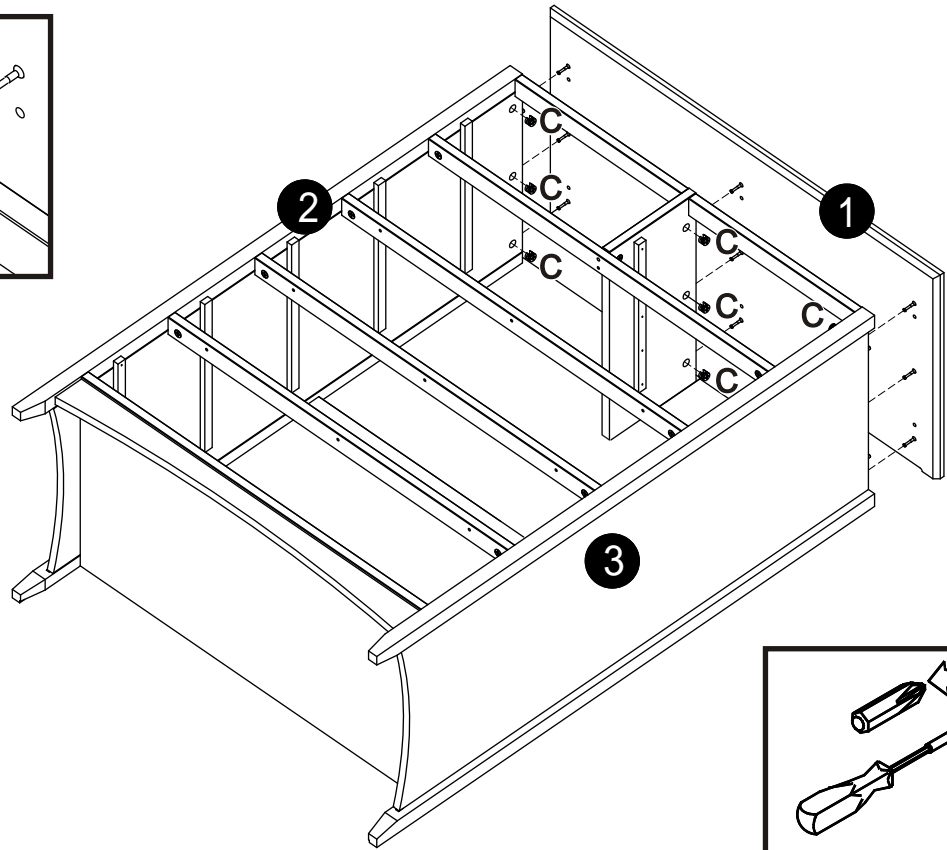
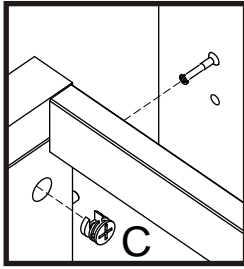
STEP 5

5. Secure the bottom panel (6) using nails (E) as shown.



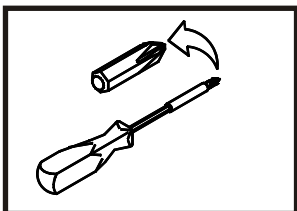
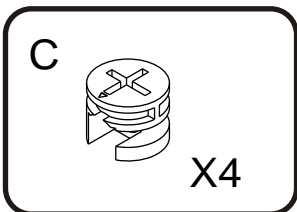
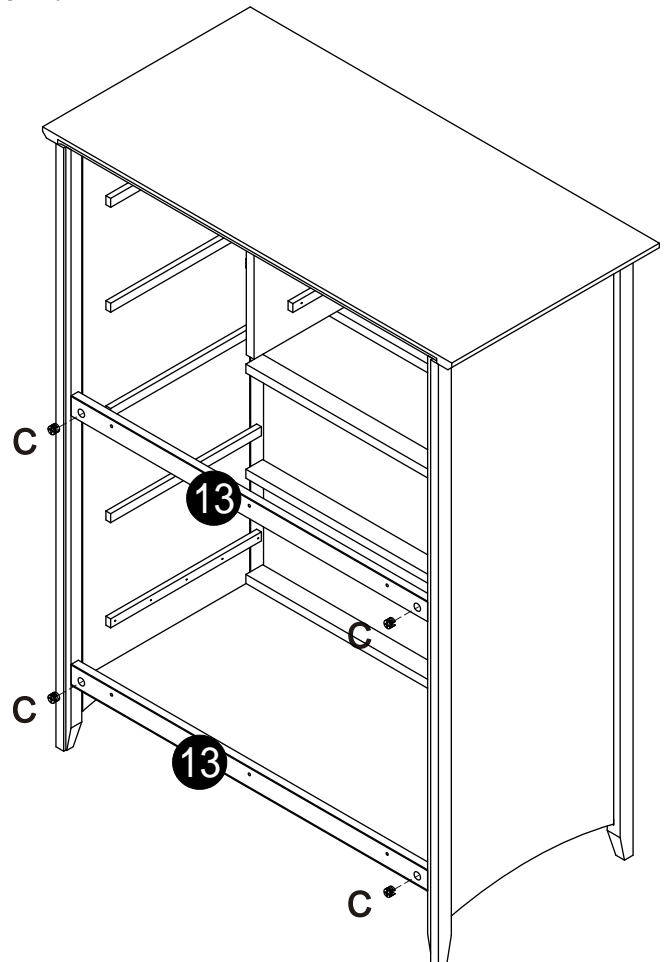
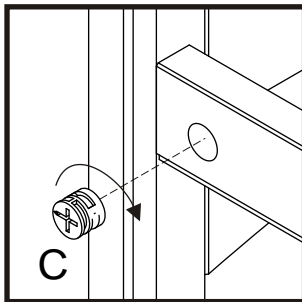
STEP 6

6. Attach the top panel (1) and secure using mini-fix drums (C) as shown.



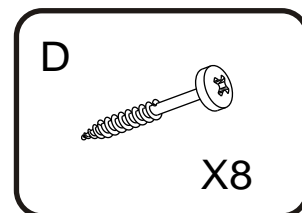
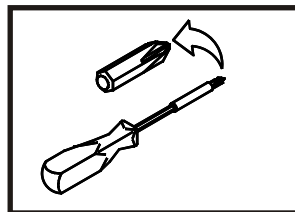
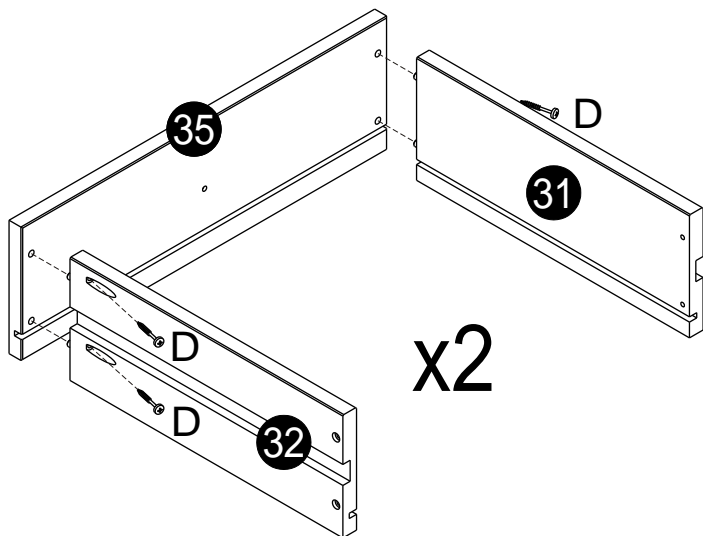
STEP 7

7. Turn your chest upright and secure the last rail (13) using mini-fix drums (C) as shown.



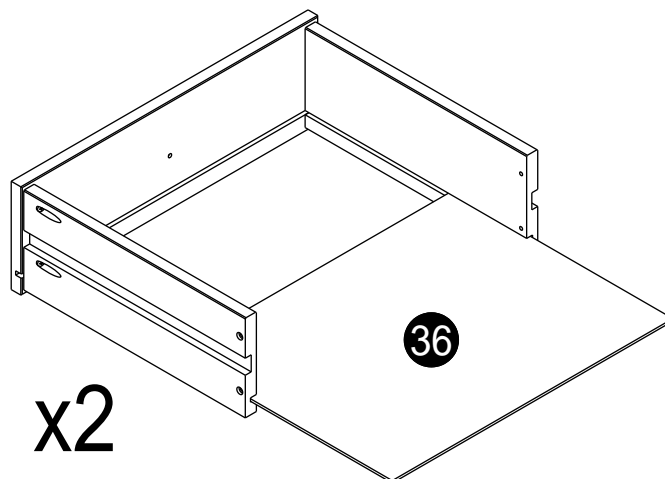
STEP 8

8. Using dowels as your guide, align and attach a left (31) and a right (32) drawer side to a drawer front (35) as shown. Secure using screws (D) as show.



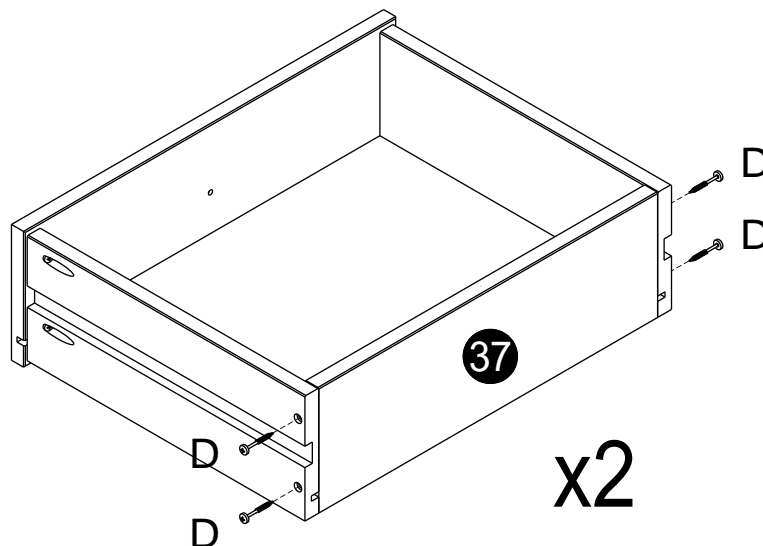
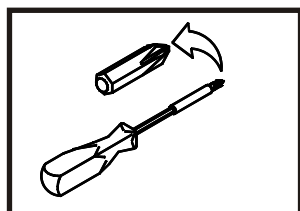
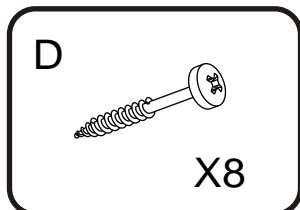
STEP 9

9. Slide in the drawer bottom (36) as shown.



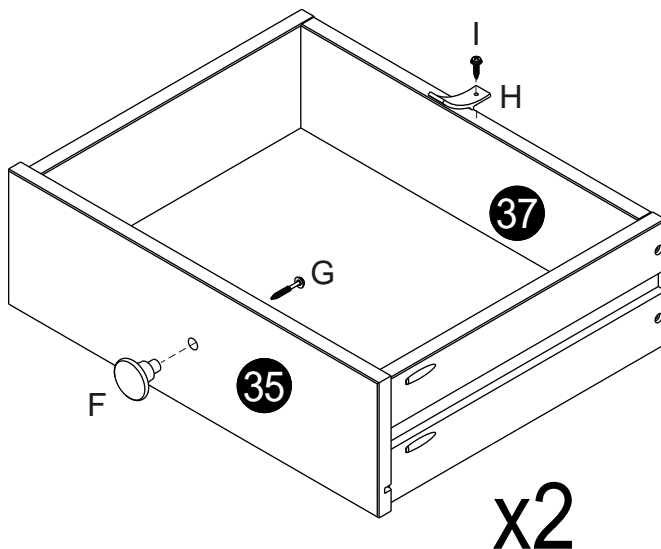
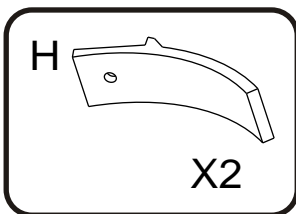
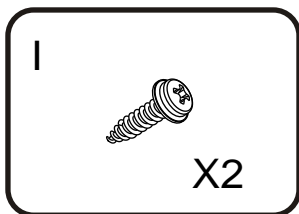
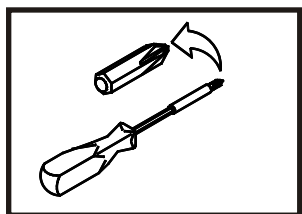
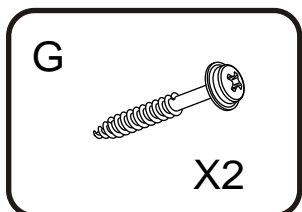
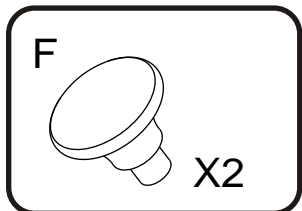
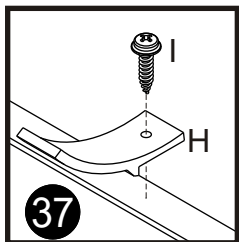
STEP 10

10. Align and attach the drawer back (37) as shown, secure using screws (D).



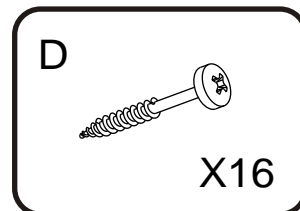
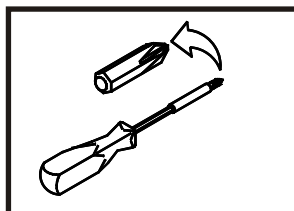
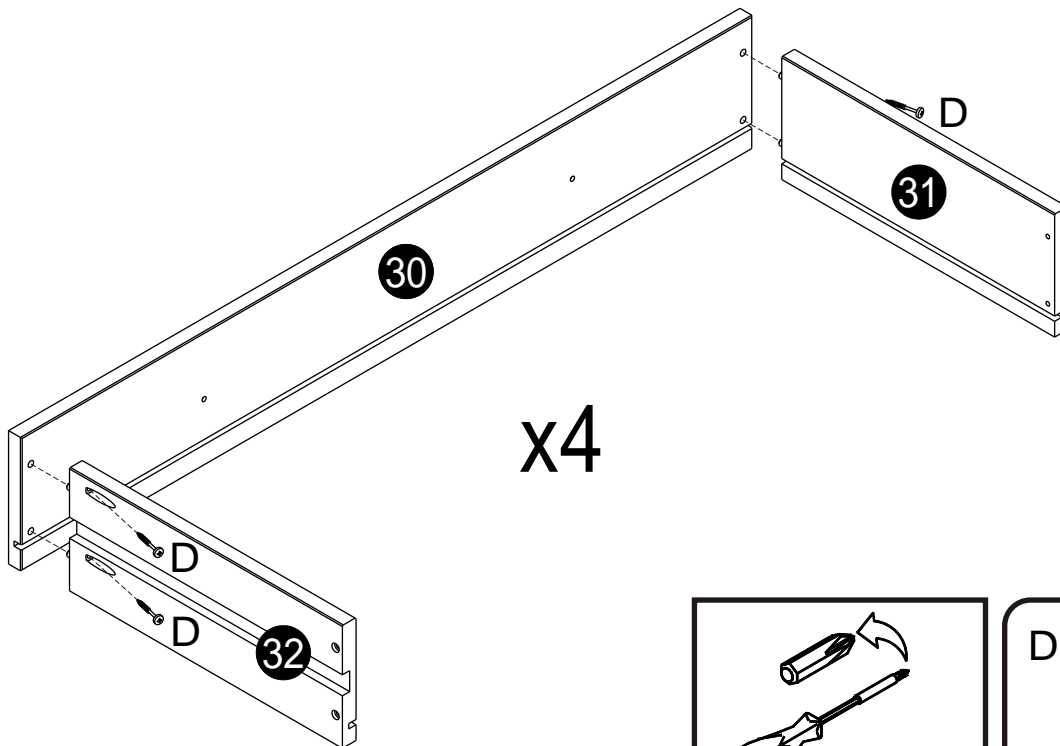
STEP 11

11. Attach the drawer knobs (F) to the drawer front (35) using screws (G) as shown. Then, attach the plastic drawer stop (H) to the drawer back (37) using screw (I) as shown.



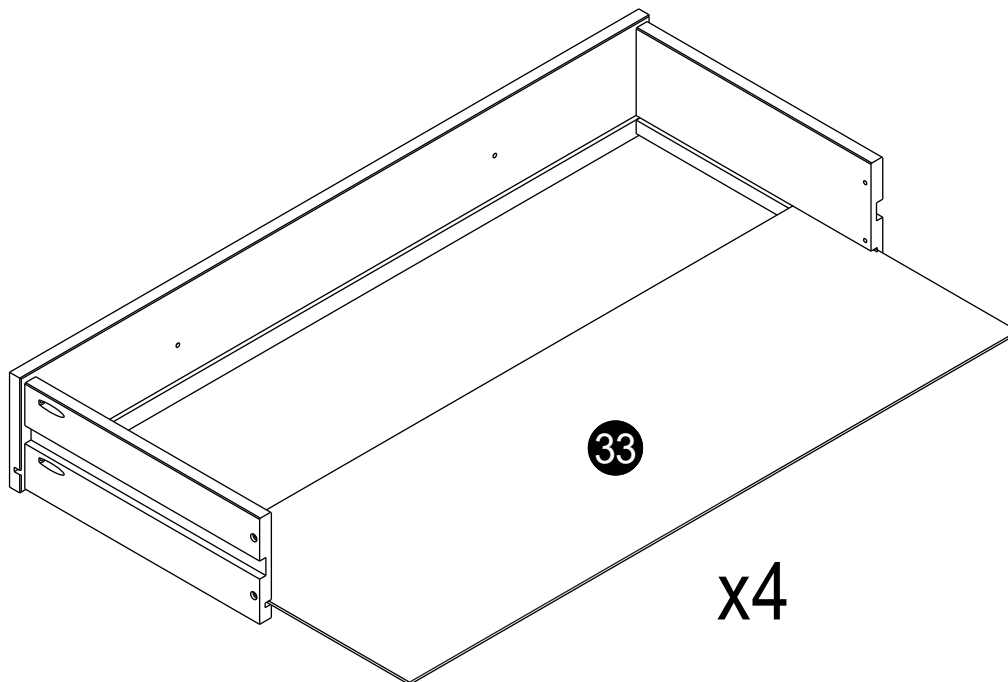
STEP 12

12. Using dowels as your guide, align and attach a left (31) and a right (32) drawer side to a drawer front (30) as shown. Secure using screws (D) as show.



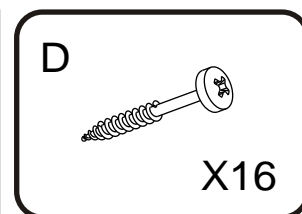
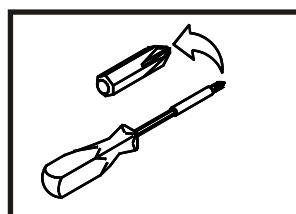
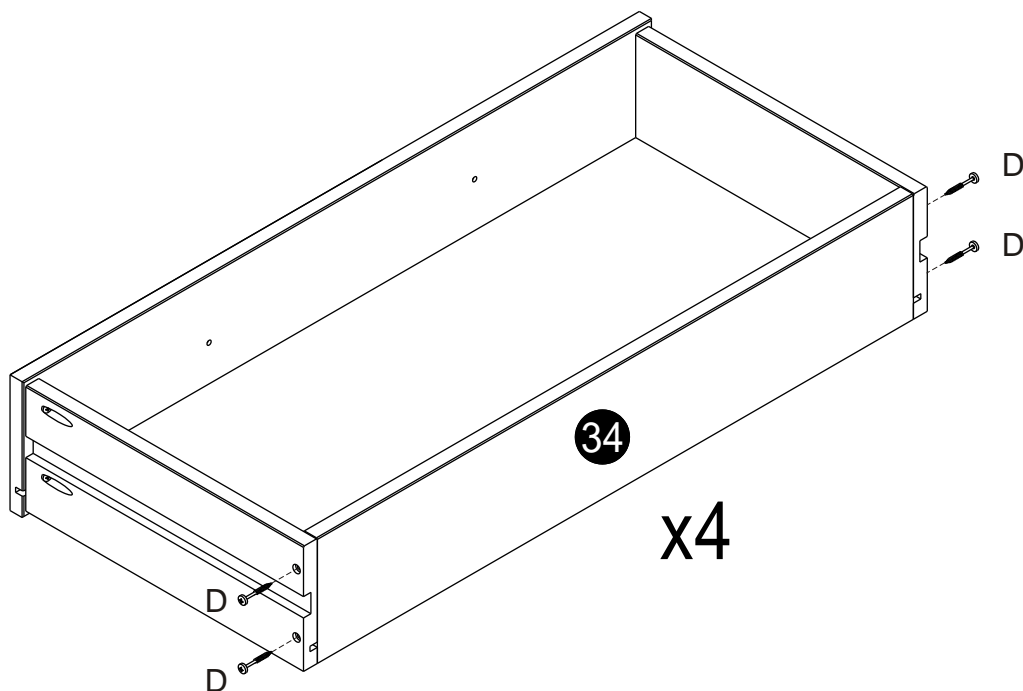
STEP 13

13. Slide in the drawer bottom (33) as shown.



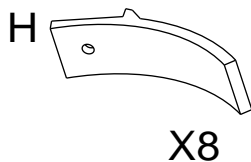
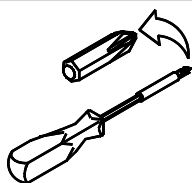
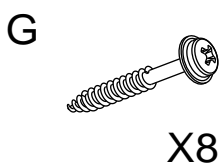
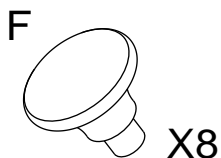
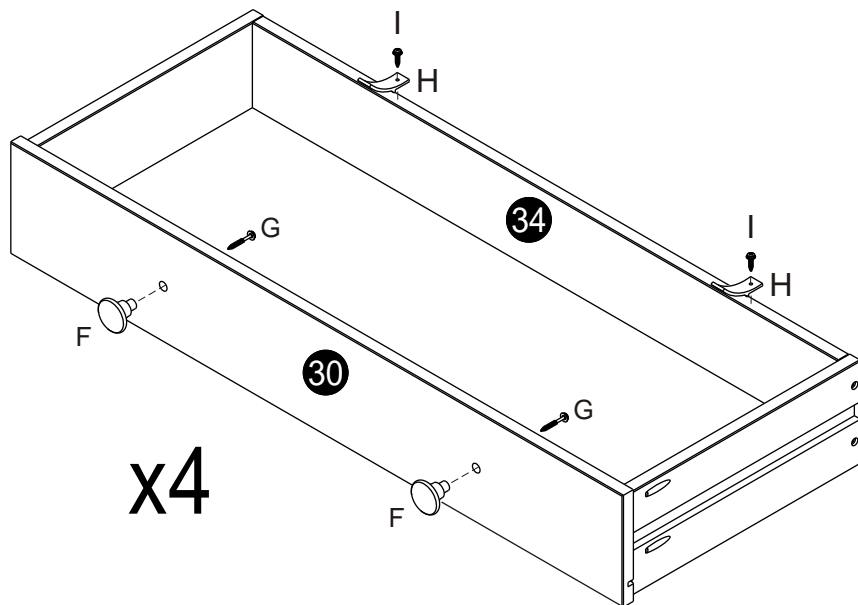
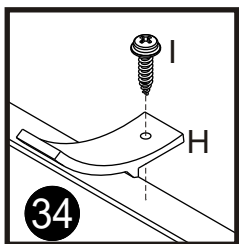
STEP 14

14. Align and attach the drawer back (34) as shown, secure using screws (D).



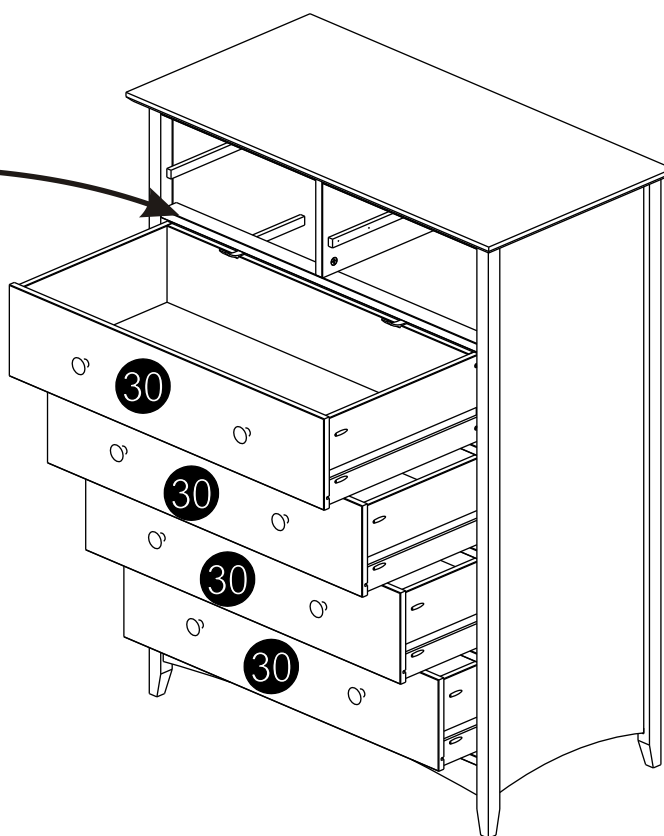
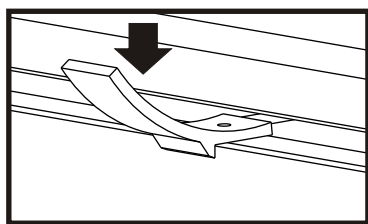
STEP 15

15. Attach the drawer knobs (F) to the drawer front (30) using screws (G) as shown. Then, attach the plastic drawer stop (H) to the drawer back (34) using screw (I) as shown.



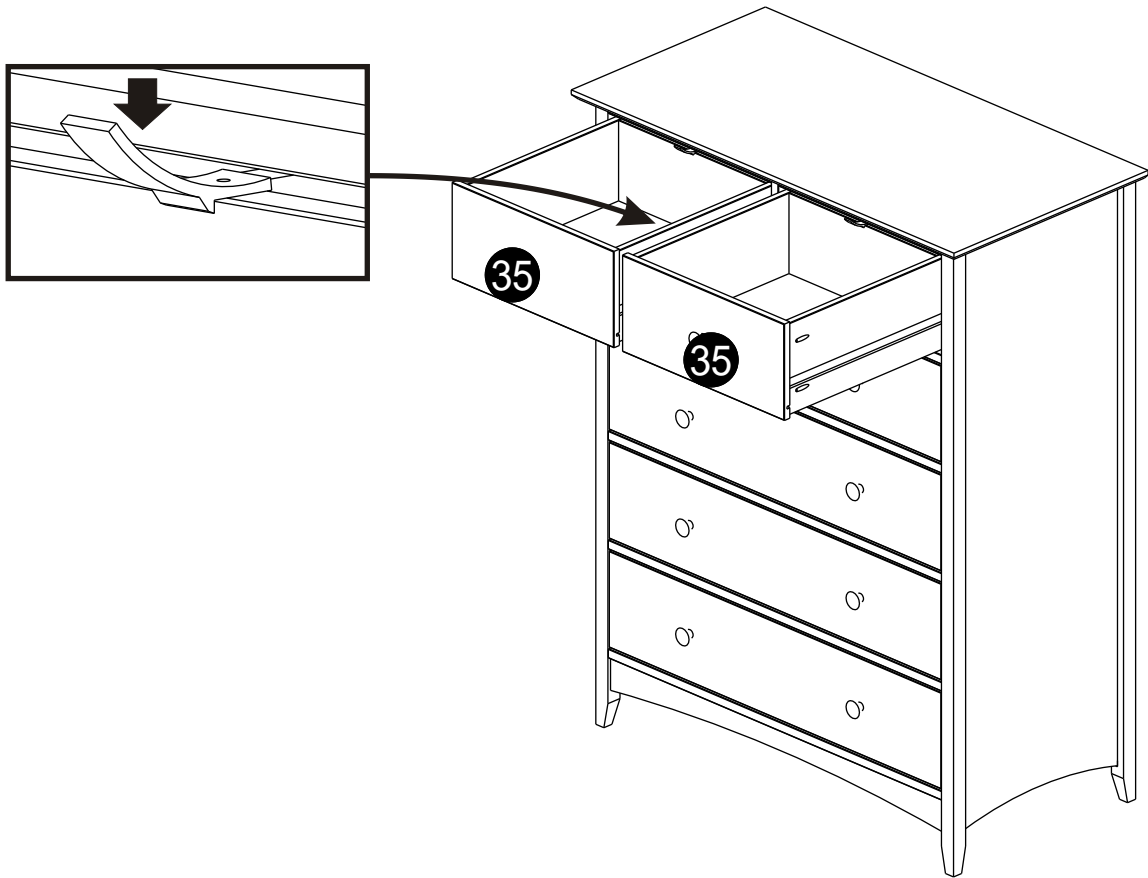
STEP 16

16. Slide in the drawers. To remove the drawer you must press down the drawer stop as shown.



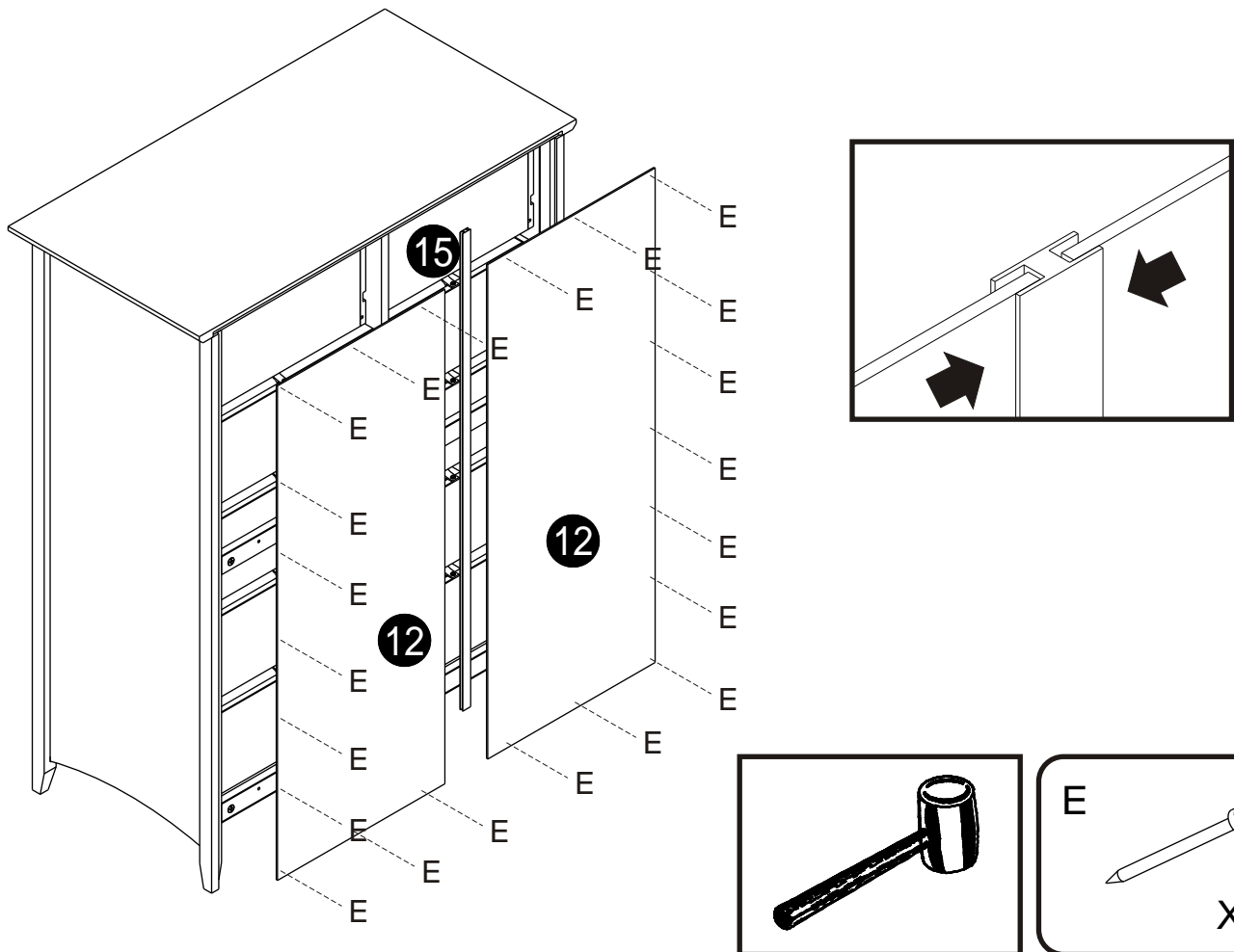
STEP 17

17. Slide in the drawers. To remove the drawer you must press down the drawer stop as shown.



STEP 18


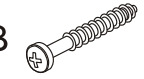
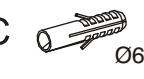
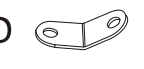

18. Complete the assembly of your chest by nailing the back panel (12) using nails (E).

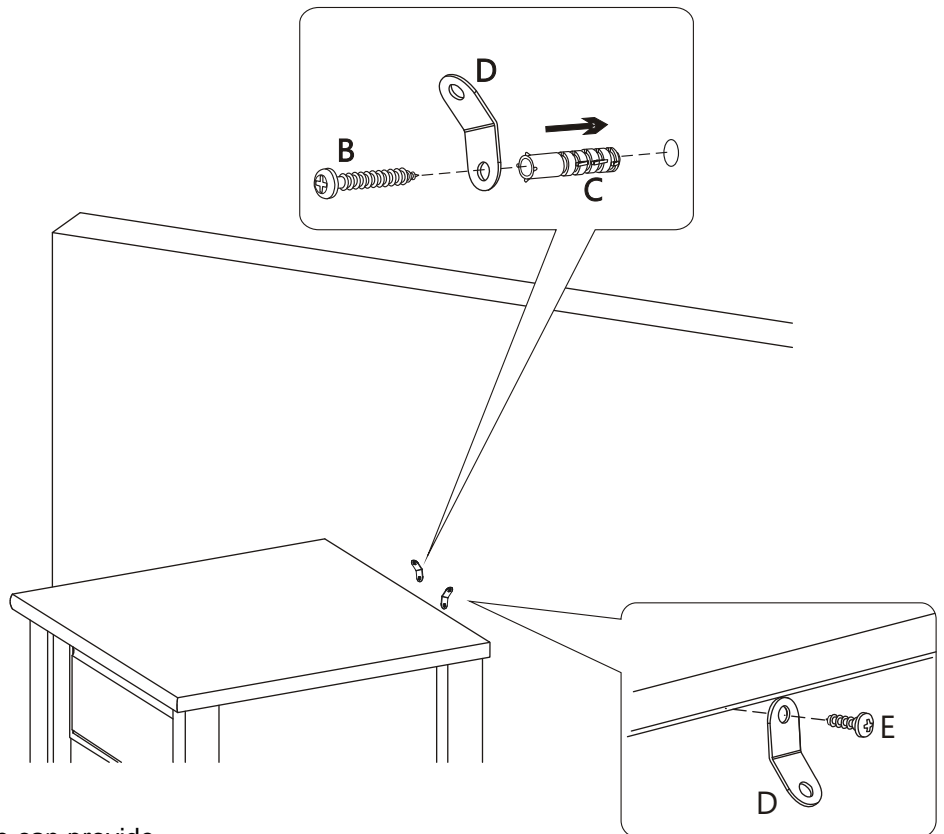


STEP 1

Tipping restraint Instructions

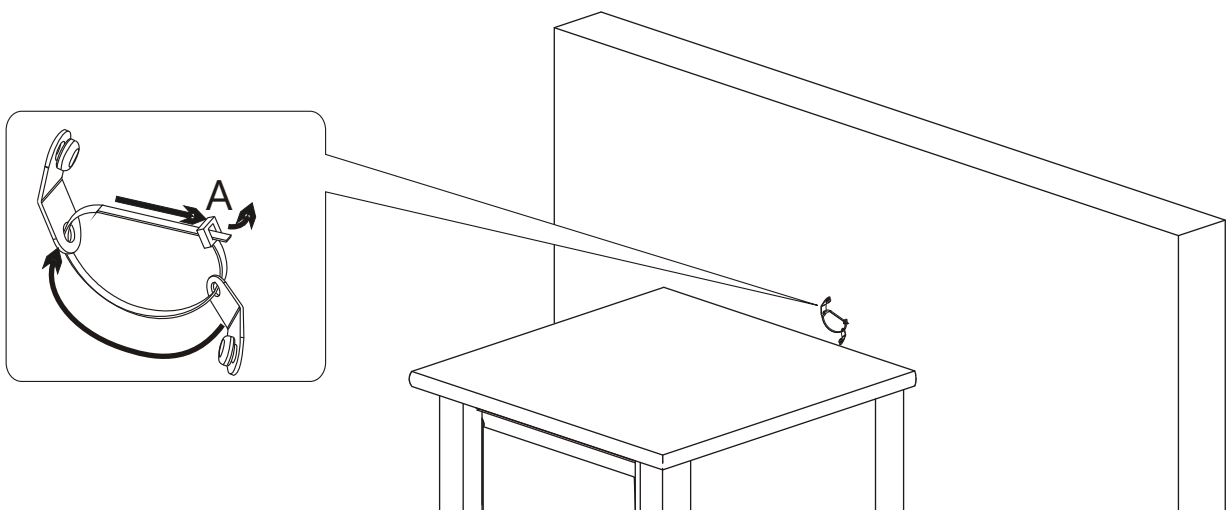
TIPPING RESTRAINT HARDWARE

A 	1
• 1 nylon strap	
B 	1
• 1 1/2" screw	
C 	1
• 1 plastic screw anchor Ø6	
D 	2
• 2 wall brackets	
E 	1
• 1 small screw	



- When properly installed, this hardware can provide protection against the unexpected tipping of furniture.
 - Attach one of the mounting brackets "D" securely to the back top edge of the unit using the short screw "E".
 - Mark the location on the wall for mounting the second bracket "D".
- Drill the appropriate sized hole in the wall and insert the plastic screw anchor "C".
Then secure the bracket to the wall using screw "B".
- Place the unit so the bracket on the back edge of unit is in line with the bracket on the wall.

STEP 2



- Lace the end of the nylon restraint strap "A" through each bracket. Bring both ends together and slide the beaded end of the strap through the keyhole shaped slot on the other end. Pull down on the beaded end until it snap-locks into the keyhole.
- Check to make sure the strap is securely laced and locked to the brackets.