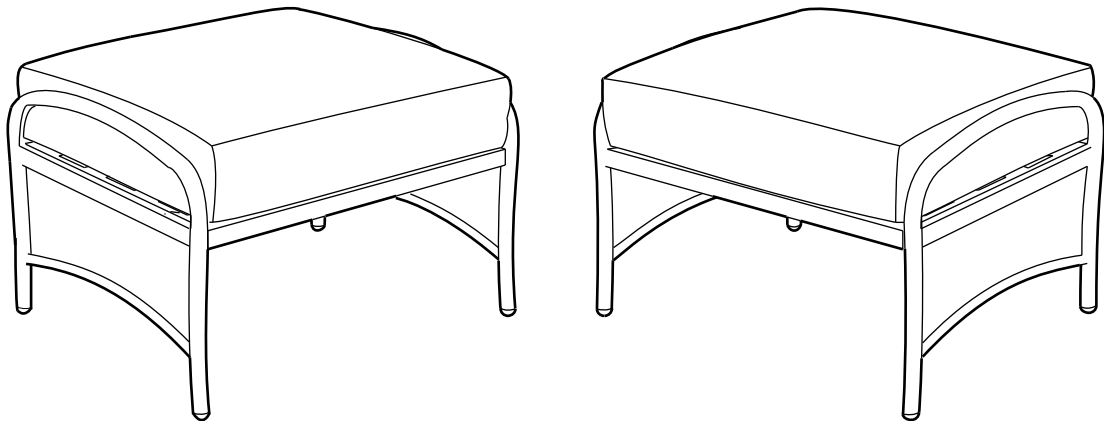




Item # 739 170
Model # 176-411-OT2

USE AND CARE GUIDE

OAK CLIFF PAIR OTTOMANS



Questions, problems, missing parts? Before returning to the store,
call Hampton Bay Customer Service
8.00 a.m. - 7.00 p.m. EST, Monday - Friday,
9.00 a.m. - 6.00 p.m. EST, Saturday

1-855-HD-HAMPTON

HAMPTONBAY.COM

THANK YOU

We appreciate the trust and confidence you have placed in Hampton Bay through the purchase of these ottomans. We strive to continually create quality products designed to enhance your home. Visit us online to see our full line of products available for your home improvement needs. Thank you for choosing Hampton Bay!

Table of Contents

Table of Contents.....	2	Pre-assembly.....	3
Safety Information.....	2	Planning Assembly	3
Warranty.....	2	Hardware Included.....	3
Two Year Frame / Fabric Limited Warranty.....	2	Package Contents	4
What Is Covered	2	Assembly	5
What Is Not Covered	2		
Care Instructions	2		

Safety Information



DANGER: Please keep children out of the assembly area during assembly.



CAUTION: Use the ottomans on flat ground only.



IMPORTANT: Please check the tightness of bolts at least every 180 days.

Warranty

TWO YEAR FRAME / FABRIC LIMITED WARRANTY

WHAT IS COVERED

We warrant the frame and the fabric to be free of manufacturing defects to the original purchaser for two years.

WHAT IS NOT COVERED

It remains the customer's responsibility for freight and packaging charges to and from our service center. This warranty does not cover commercial use, hardware, acts of nature, fire, freezing and abusive use. In addition, purchased parts are not covered under this warranty. We reserve the right to make substitutions with similar merchandise, if the model in question is no longer in production.

Care Instructions

Before using, wipe with a clean, dry cloth. Do not use bleach or solvents. Treat the frame with liquid wax for maximum protection against UV light and salty, damp air. When not in use, store the furniture in a cool, dry place. If your set includes cushions or mesh fabric, they may be cleaned by hand with a mild solution of soap and water. Rinse the cushions thoroughly and allow to drip dry. Do not machine wash or tumble dry, as the cushions may shrink. Do not use bleach or solvents on fabrics.

You may contact our customer service department with any questions by phone at 1-855-HD-HAMPTON or visit www.hamptonbay.com.

Pre-Assembly

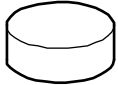
PLANNING ASSEMBLY

It will take one person about 15 minutes to complete the assembly process.

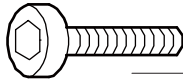
HARDWARE INCLUDED



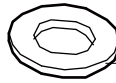
NOTE: Hardware not shown to actual size.



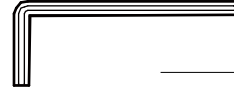
AA



BB



CC

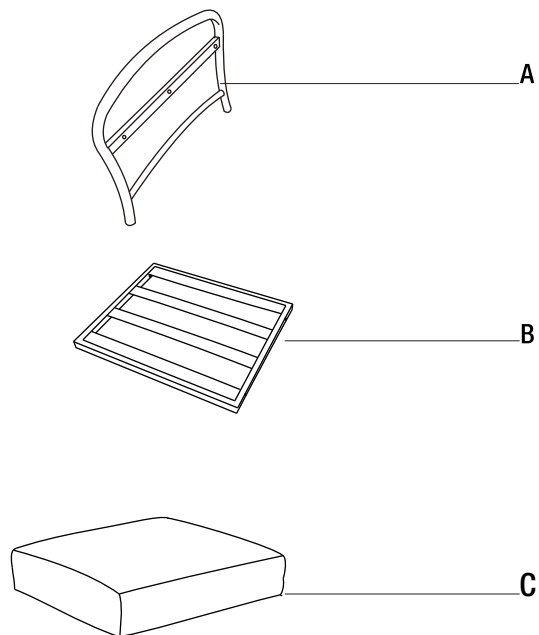


DD

Part	Description	Quantity
AA	Bolt cap (M6)	12
BB	Bolt (M6x30)	12
CC	Washer (M6)	12
DD	Hex wrench	1

Pre-Assembly (continued)

PACKAGE CONTENTS

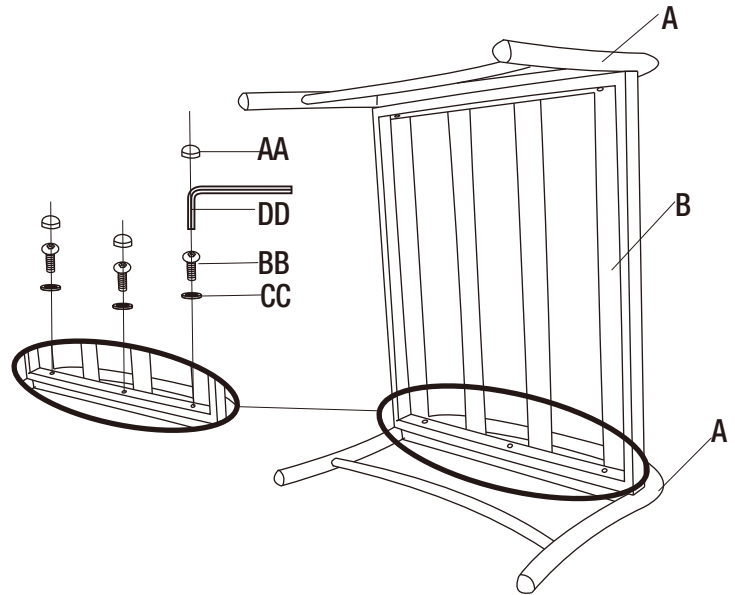


Part	Description	Quantity
A	Ottoman leg	4
B	Seat panel	2
C	Seat pad	2

Assembly

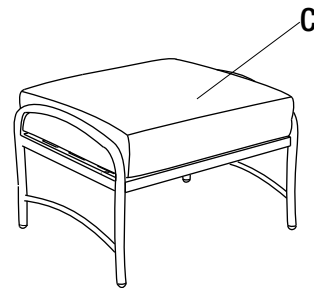
1 Attaching ottoman legs

- Place one ottoman leg (A) on a flat, smooth surface.
- Align the seat panel (B) to the ottoman leg (A).
- Secure the seat panel to the ottoman leg with washers (CC) and bolts (BB) using the hex wrench (DD).
- Repeat the above procedure to attach the other ottoman leg (A).
- Fully tighten all the bolts when all the bolts are in place. Cover all the bolts with bolt caps (AA).



2 Placing the cushion on the ottoman

- Turn the ottoman upright and place it on a flat surface.
- Place the cushion (C) on the ottoman.
- Repeat steps 1 to 2 for the other ottoman.





Questions, problems, missing parts? Before returning to the store,
call Hampton Bay Customer Service
8.00 a.m. - 7.00 p.m. EST, Monday - Friday,
9.00 a.m. - 6.00 p.m. EST, Saturday

1-855-HD-HAMPTON

HAMPTONBAY.COM

Retain this manual for future use.