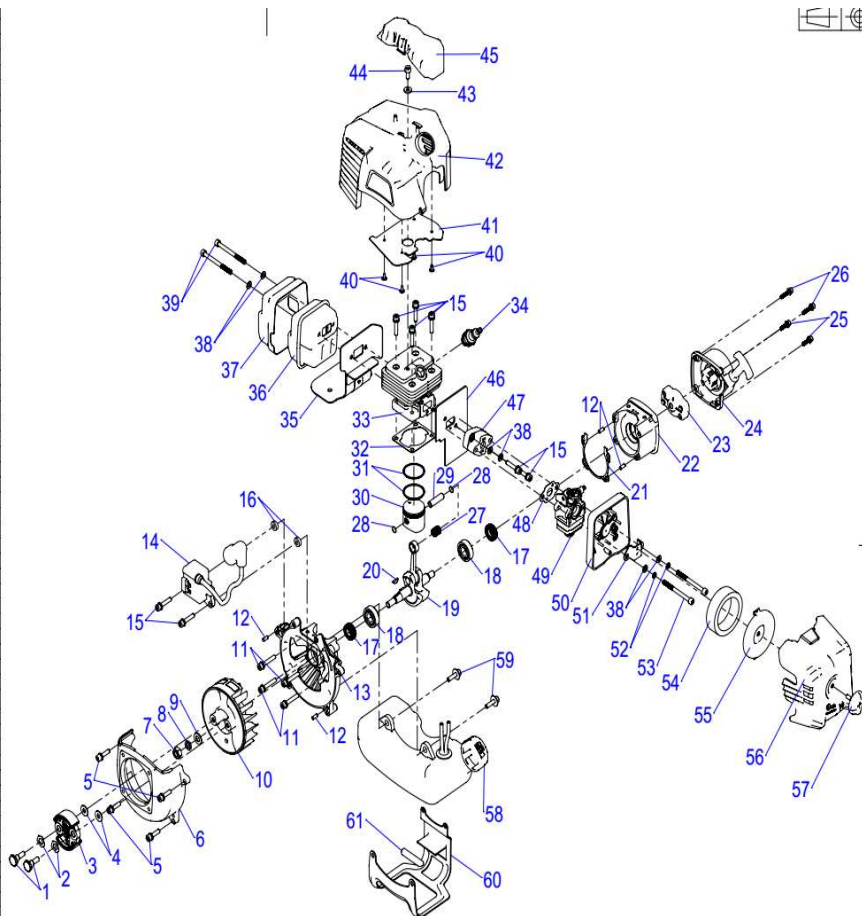
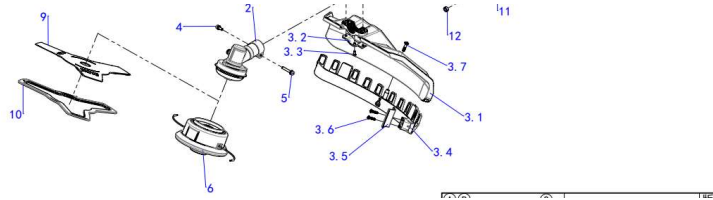


MFT26I Edger

Order Number	Specification	Spare Part List Name	Quantity
1	5009.33207	Screw axes	2
2	5009.32402	Wave washer	2
3	5009.31908	Clutch	1
4	5009.32403	Flat washer6.1x15x1.2	2
5	GB/T 70.1	M5x20_inner hex nut screw assy	4
6	T.BCE26-004	Fly wheel cover	1
7	GB/T 6170	M8x1_hex nut	1
8	GB/T 93	Spring washer8	1
9	GB/T 97.1	Flat washer8	1
10	5009.31906	Fly wheel	1
11	GB/T 70.1	M5x30_inner hex nut screw assy	4
12	GB/T 119.2	Round pin B4x10	4
13	T.BCE26-002	Front-half crankshaft case	1
14	T.BCE26.02	Ignition coil assy	1
15	GB/T 70.1	M5x25_inner hex nut screw assy	8
16	341100048	M5 bakelite gasket	2
17	GB/T 9877.1	Oil seal TC12x22x7	2
18	GB/T 276	Bearing 6001	2
19	T.BCE26.01	Crankshaft assy	1
20	GB/T 1099	Half-round key 3x3.7x13	1
21	5009.34601	Crankshaft gasket	1
22	T.BCE26-003	Back-half crankshaft case	1
23	5009.34101	Easy-start catch plate assy	1
24	T.BCE26.10	Starter assy	1
25	GB/T 70.1	M4x16_inner hex nut screw assy	2
26	GB/T 70.1	M4x20_inner hex nut screw assy	2
27	JB/T 7918	Needle bearing KBK81111	1
28	5001.32403	Piston pin check ring	2
29	5009.33203	Piston pin	2
30	5009.33204	Piston	1
31	5009.33202	Piston ring	2
32	5009.34605	Cylinder gasket	1
33	T.BCE26-001	Cylinder	1
34	5009.31501	Spark plug	1
35	T.BCE26.14	Muffler assy	1
36	T.BCE26B.17A	Muffler B	1
37	T.BCE26B.17A-11	Muffler iron cover	1
38	GB/T 97.1	Flat washer5	6
39	GB/T 70.1	M5x60_inner hex nut screw	2
40	GB/T 845	ST3X9-H-C	4
41	T.BC126-03	Air deflector	1
42	T.BC126-01	Cylinder cover	1
43	GB/T 97.1	Flat washer 5x12x2	1
44	GB/T 818	M5x12_cross pan head screw	1
45	T.BC126-02	Head cover	1
46	T.BCE26B-14	Inlet gasket	1
47	5009.34103	Inlet pipe	1
48	5006.34604	Carburator gasket	1
49	T.BCE26.06	Carburator	1
50	T.BCB43.01.1	Air filter base	1
51	T.BCB43.01-1	Air filter support	1

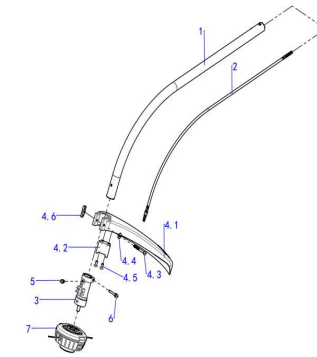


3.5	T.BOF31-001	Nylon spool cutting blade	1
3.6	GB/T 845	ST4.2x16-H-F	2
3.7	GB/T 845	ST4.8x20-H-F Half tooth screw	1
4	GB/T 70.1	M5x12_Inner hex nut screw assy	1
5	GB/T 70.1	M5x30_Inner hex nut screw assy	1
6	T.BOB33.14	Nylon spool assy	1
7	T.BOE43B-15	26 Cover plate	1
8	GB/T 70.1	M6x25_Inner hex nut half thread screw assy	2
9	5003.33303	3 Teeth blade	1
10	5003.34122	3 Teeth blade sheath	1
11	T.MFT2601-007	Rigid axle ϕ 7x785	1
12	T.BOB33-117	Rigid axle rubber sleeve	1



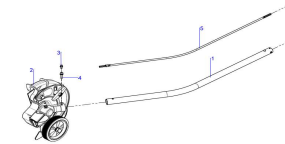
trimmer

Order Number	Specification	Spare Part List Name	Quantity
1	T.MFT2601.03	Bending alumiun working shaft assy	1
2	T.MFT2601-001	Soft shaft assembly 762	1
3	T.GTE26.10	Head couplings(Alumium)	1
4	T.GTE26.12	Plastic protection Guard assy	1
4.1	T.GTE26-004	Protective cover	1
4.2	5001.33309	Nylon spool cutting blade	1
4.3	GB/T 70.1	M5x45-Inner hex nut screw	1
4.4	GB/T 96.2	Flat washer 5.5x15x1	1
4.5	GB/T 845	ST4.8x12-H-F	2
4.6	T.GTE26.12-2	Small protective cover plate	1
5	GB/T 70.1	M5x12_Inner hex nut screw assy	1
6	GB/T 70.1	M5x30_Inner hex nut screw assy	1
7	T.GT925.01	Nylon spool assy B	1



Edger

Order Number	Specification	Spare Part List Name	Quantity
1	T.MFT2601.02	Bending tube working shaft assy	1
2	T.MFT330.27A	Edger machine head	1
3	GB/T 70.1	M5x12_Inner hex nut screw assy	1
4	GB/T70.1	M6x25_Inner hex nut screw assy	1
5	T.MFT2601-002	Soft shaft assembly 788	1



Pole-hedger

Order Number	Specification	Spare Part List Name	Quantity
1	T.MFT330.24A	Hedge trimmer working head	1
2	GB/T 70.1	M5x12_Inner hex nut screw assy	1
3	GB/T 70.1	M5x25_Inner hex nut screw assy	1
4	T.MFT2601.05A	Alumium tube assy ϕ 25.4x760F	1
4.1	T.MFT2601.05-1	Alumium tube ϕ 25.4x760G	1
4.2	5001.33307	Bayonet pin	1
4.3	GB/T 873	Internal circlip	1
4.4	T.MFT2601.10	ϕ 7 Oil bearing assy	3
5	T.MFT2601-007	Rigid axle ϕ 7x785	1
6	T.BOB33-117	Rigid axle rubber sleeve	1

