

HOME DECORATORS COLLECTION

SK18480 ARTISAN KITCHEN CART 35"Hx18"Dx36"W

INV#92329

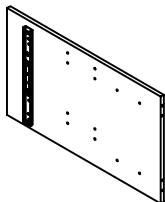
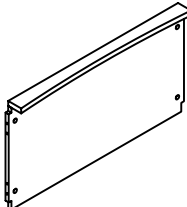
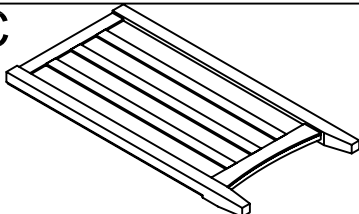
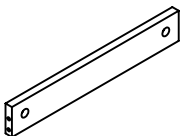
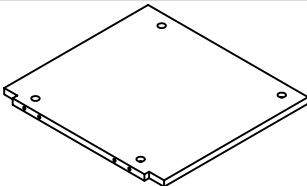
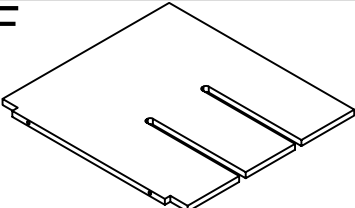
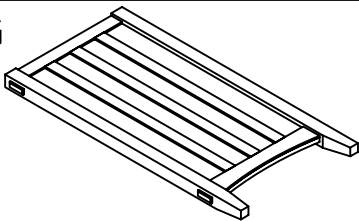
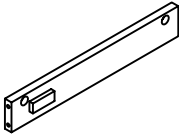
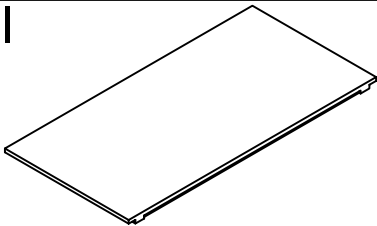
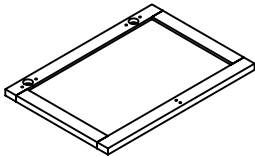
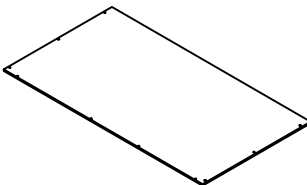
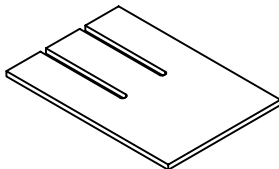
ASSEMBLY INSTRUCTIONS

Made In China

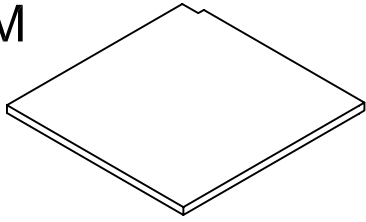


Thank you for purchasing this quality product. Be sure to check all packing material carefully for small parts, which may have come loose inside the carton during shipment. Count all parts and material hardware, then compare with parts list to be sure all parts are present. If any parts are missing or damaged, phone, fax, or mail to our Customer Service Department for efficient and speedy service. Please indicate the model number and code letter of part(s) needed.

IMPORTANT NOTE: Follow instructions listed below in proper sequence as numbered to assure fast, easy and correct assembly.

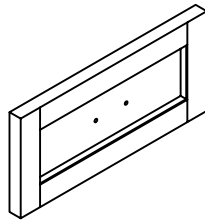
PARTS LIST		
A 	B 	C 
PARTITION-1PC	BOTTOM PANEL-1PC	LEFT SIDE PANEL-1PC
D 	E 	F 
FRONT LEFT CROSS BAR-1PC	UP FIXED SHELF-2PCS	LOWER FIXED SHELF-2PCS
G 	H 	I 
RIGHT SIDE PANEL-1PC	FRONT RIGHT CROSS BAR-1PC	TOP PANEL-1PC
J 	K 	L 
DOOR-1PC	BACK PANEL-2PCS	DIVIDER-2PCS

M



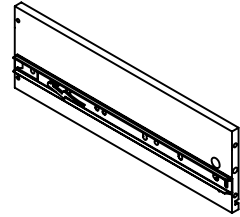
ADJUSTABLE PANEL-1PC

N



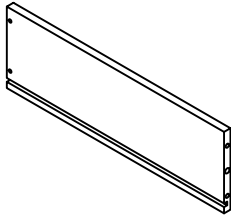
DRAWER FRONT PANEL-2PCS

O



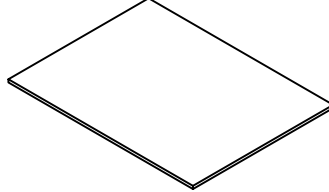
DRAWER LEFT
SIDE PANEL-2PCS

P



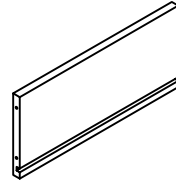
DRAWER RIGHT
SIDE PANEL-2PCS

Q




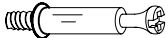





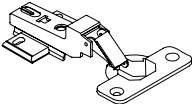



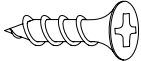


DRAWER BOTTOM
PANEL-2PCS

R



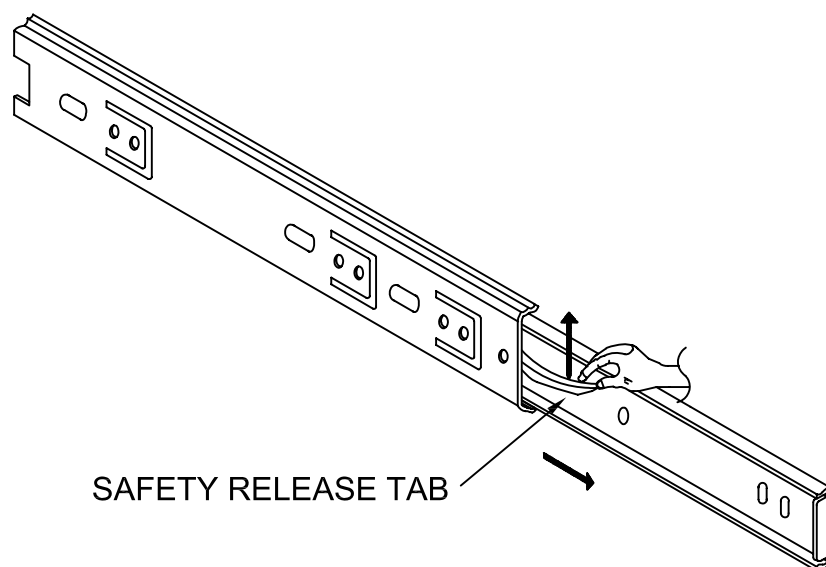
DRAWER BACK PANEL-2PCS

NOTE:THE SURFACE WITH THE STICKER IS THE BACK SIDE

<p>a</p>  <p>WOOD DOWEL-40PCS</p>	<p>b</p>  <p>CAM LOCK BOLT-28PCS</p>	<p>c</p>  <p>CAM LOCK-28PCS</p>
<p>d</p>  <p>5/8"L ROUND HEAD SCREW-23PCS</p>	<p>e</p>  <p>SHORT PLASTIC COVER-4PCS</p>	<p>f</p>  <p>HANDLE-2PCS</p>
<p>g</p>  <p>HANDLE BOLT-6PCS</p>	<p>h</p>  <p>HINGE-2PCS</p>	<p>i</p>  <p>HANDLE-1PC</p>
<p>j</p>  <p>SHELF PIN-4PCS</p>	<p>k</p>  <p>LONG PLASTIC COVER-2PCS</p>	<p>l</p>  <p>5/8"L FLAT HEAD SCREW-8PCS</p>
<p>m</p>  <p>METAL PLATE-3PCS</p>	<p>n</p>  <p>1" FLAT HEAD SCREW-8PCS</p>	

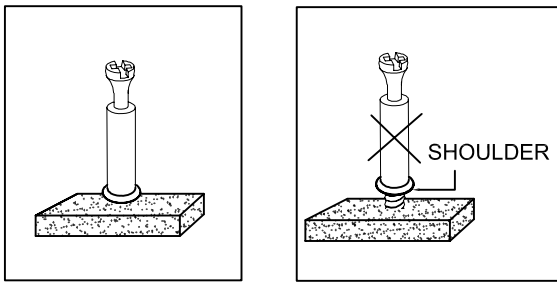
NOTE:THE SURFACE WITH THE STICKER IS THE BACK SIDE

HOW TO SEPARATE GLIDES



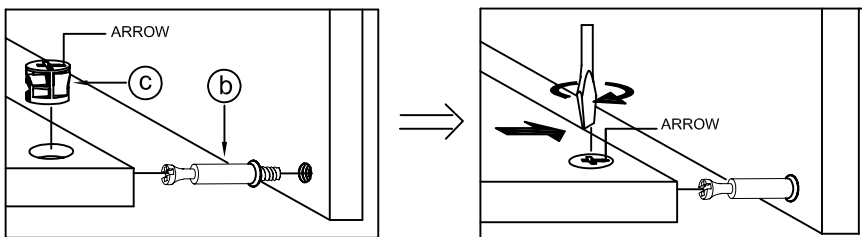
PRIOR TO ASSEMBLY, WE SUGGEST SEPARATING THE INNER GLIDES FROM THE OUTER-GLIDES, SIMPLY PULL THE LEFT/RIGHT INNER GLIDES FROM THE OUTER GLIDES EXPOSING A SMALL BLACK SAFETY RELEASE TAB, BY PUSHING THE SAFETY RELEASE TAB. YOU WILL BE ABLE TO SEPARATE THE GLIDES.

NOTE: • UPON OPENING, THOROUGHLY CLEAN ALL WOOD SURFACES TO REMOVE DUST AND DIRT THAT MAY HAVE SETTLED ONTO THE FINISH DURING SHIPMENT. IN ORDER TO PREVENT DAMAGE DURING ASSEMBLY. PLEASE ASSEMBLE THIS ITEM WITH AT LEAST TWO PEOPLE.



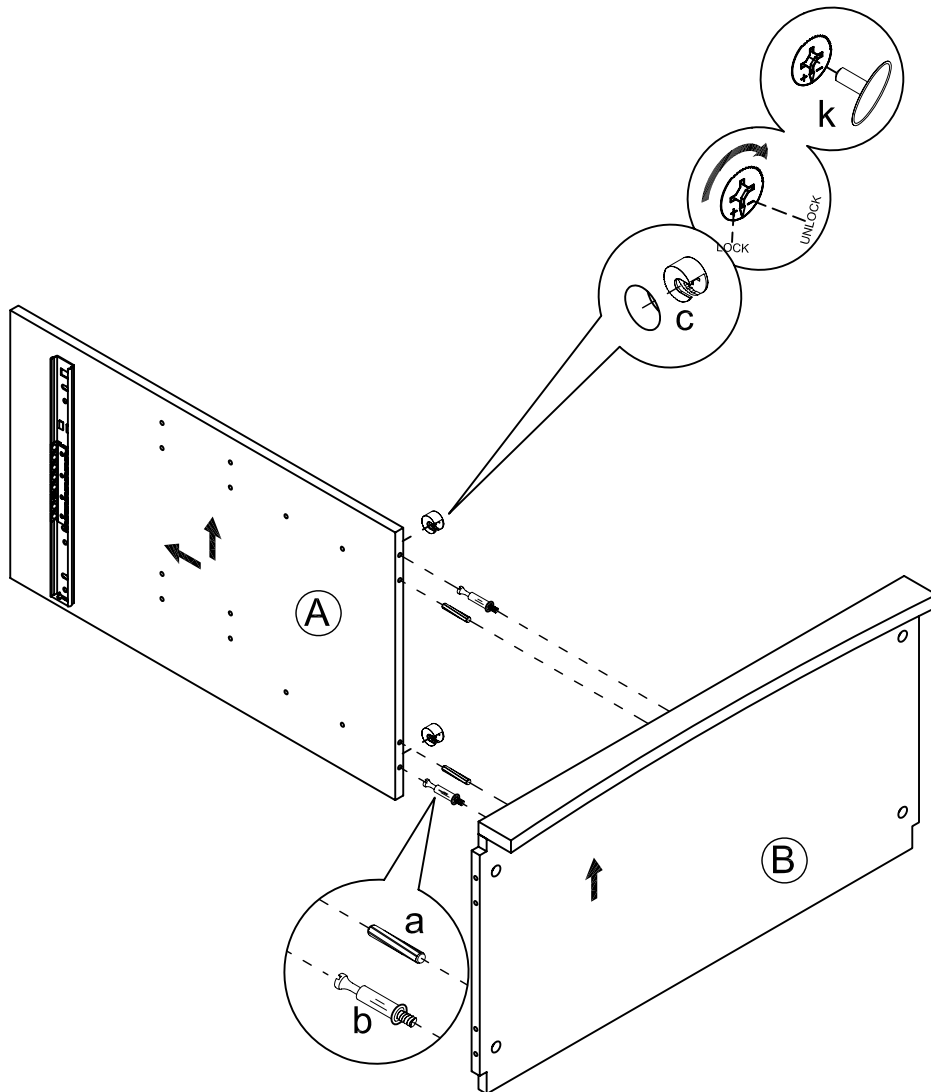
NOTE: TURN THE CAM-BOLT SCREWS UNTIL THEY ARE TIGHT, THE SHOULDER SHOULD BE AGAINST THE SURFACE OF THE PART.

HOW TO USE THE CAM-TOOL



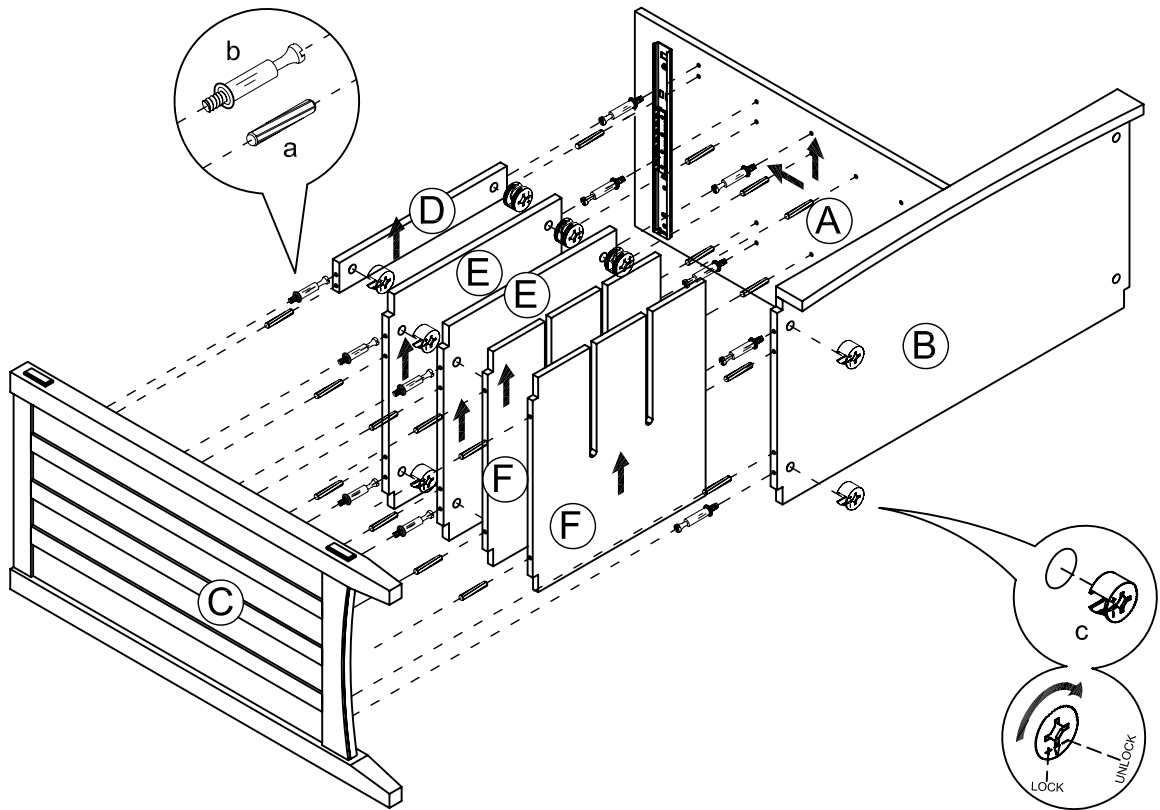
NOTE: • THE ARROWS ON THE HIDDEN CAM-LOCKS SHOULD POINT TO THE CAM-BOLTS.

FIG 1



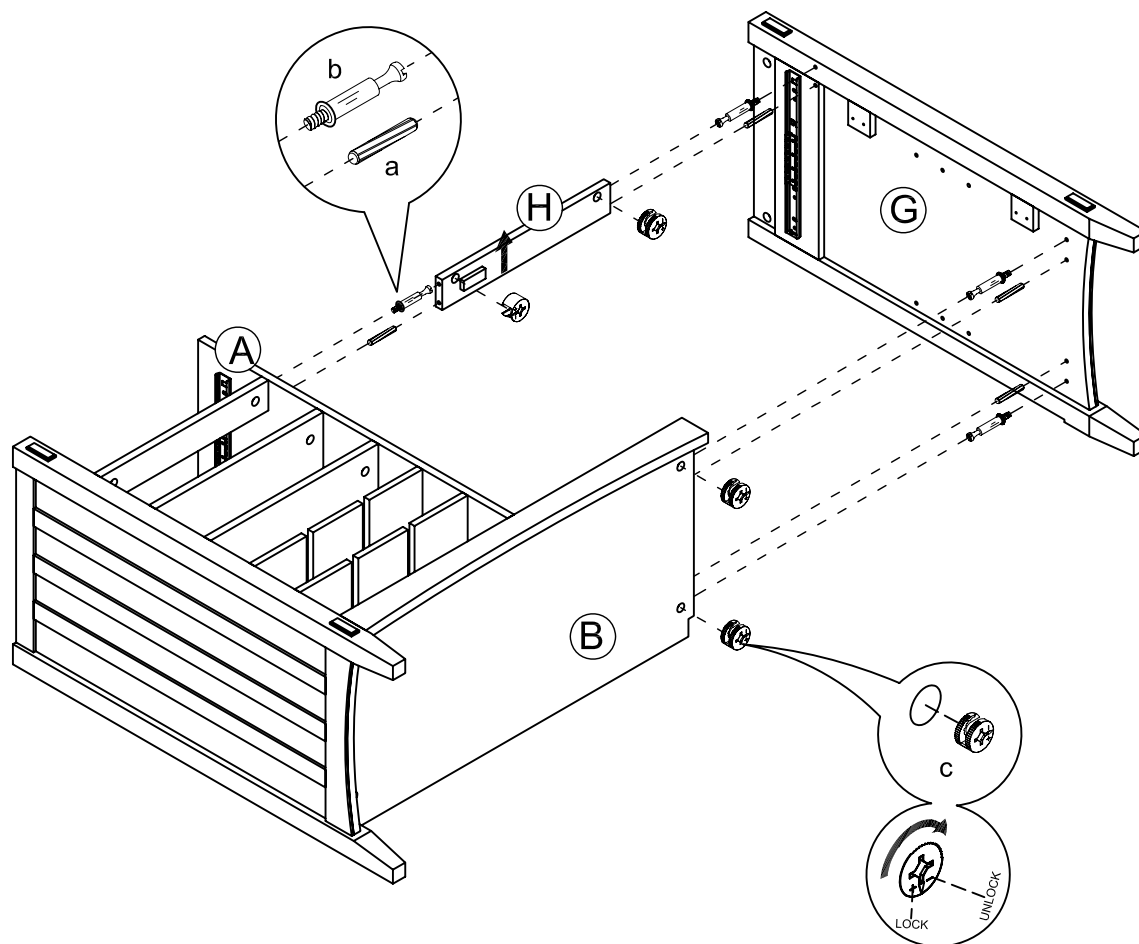
- INSTALL THE WOOD DOWEL (a) AND THE CAM LOCK BOLT (b) INTO THE BOTTOM PANEL (B).
- JOIN THE PARTITION (A) TO THE BOTTOM PANEL (B) BY USING THE WOOD DOWEL (a) FIRST.
- ONCE JOINED, TIGHTEN CAM LOCK (c) ONTO CAM LOCK BOLT (b) USING PRE-DRILLED HOLES.
- COVER CAM HOLES WITH THE LONG PLASTIC COVER (k).

FIG 2



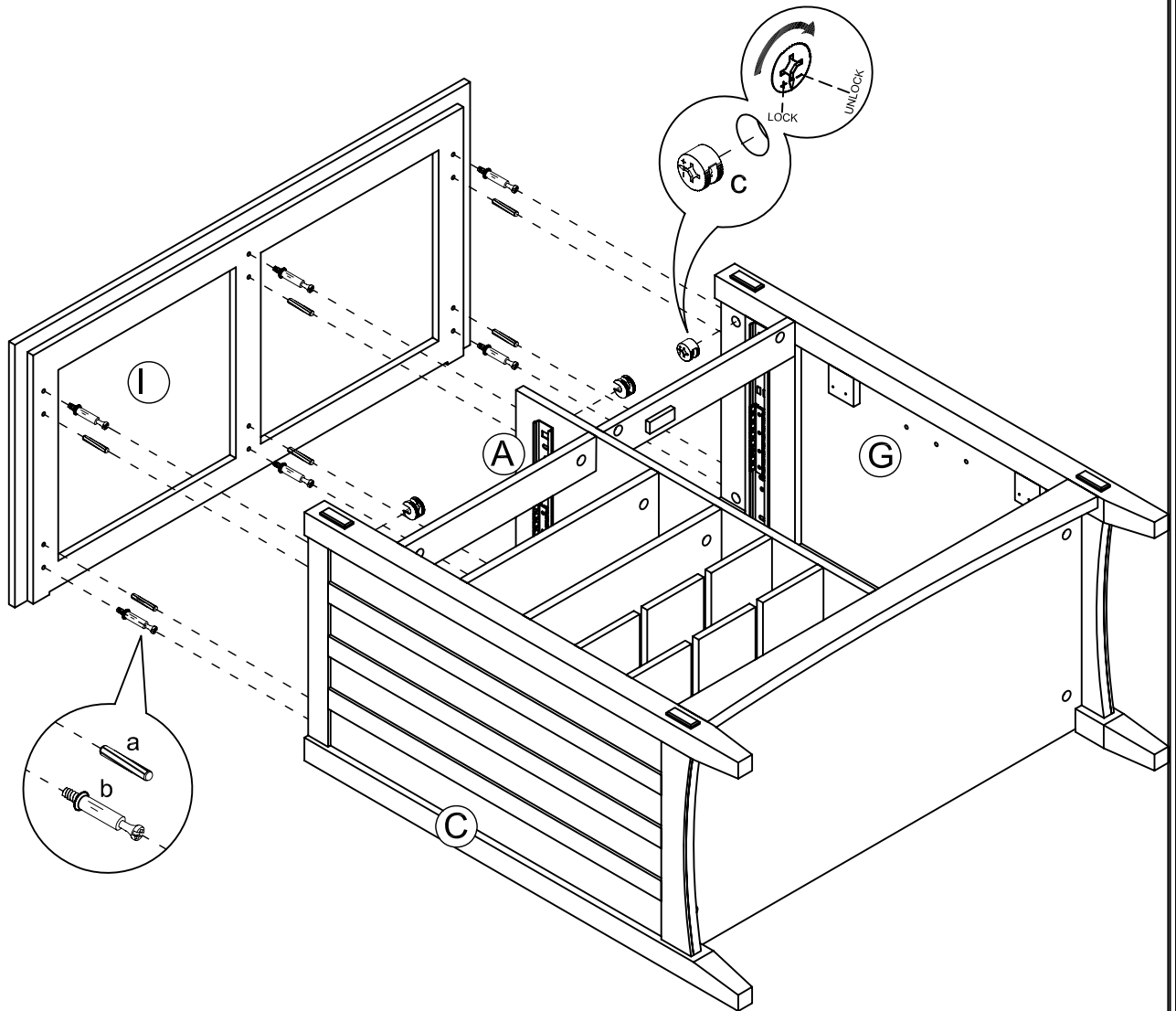
- INSTALL THE WOOD DOWEL (a) AND THE CAM LOCK BOLT (b) INTO LEFT SIDE PANEL (C) AND PARTITION (A).
- JOIN THE LEFT SIDE PANEL (C) AND PARTITION (A) TO THE FRONT LEFT CROSS BAR (D), THE UP FIXED SHELF (E), THE LOWER FIXED SHELF (F), AND THE BOTTOM PANEL (B) BY USING THE WOOD DOWEL (a) FIRST.
- ONCE JOINED, TIGHTEN CAM LOCK (c) ONTO CAM LOCK BOLT (b) USING PRE-DRILLED HOLES.

FIG 3



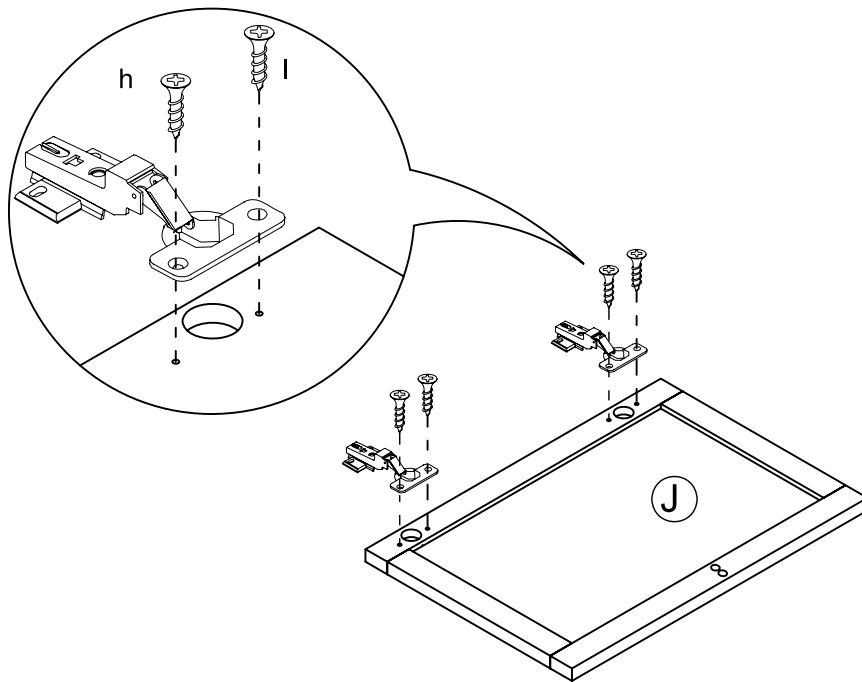
- INSTALL THE WOOD DOWEL (a) AND THE CAM LOCK BOLT (b) INTO THE RIGHT SIDE PANEL (G) AND THE PARTITION (A).
- JOIN THE RIGHT SIDE PANEL (G) AND THE ASSEMBLED PART TO THE FRONT RIGHT CROSS BAR (H) BY USING THE WOOD DOWEL (a) FIRST.
- ONCE JOINED, TIGHTEN CAM LOCK (c) ONTO CAM LOCK BOLT (b) USING PRE-DRILLED HOLES.

FIG 4



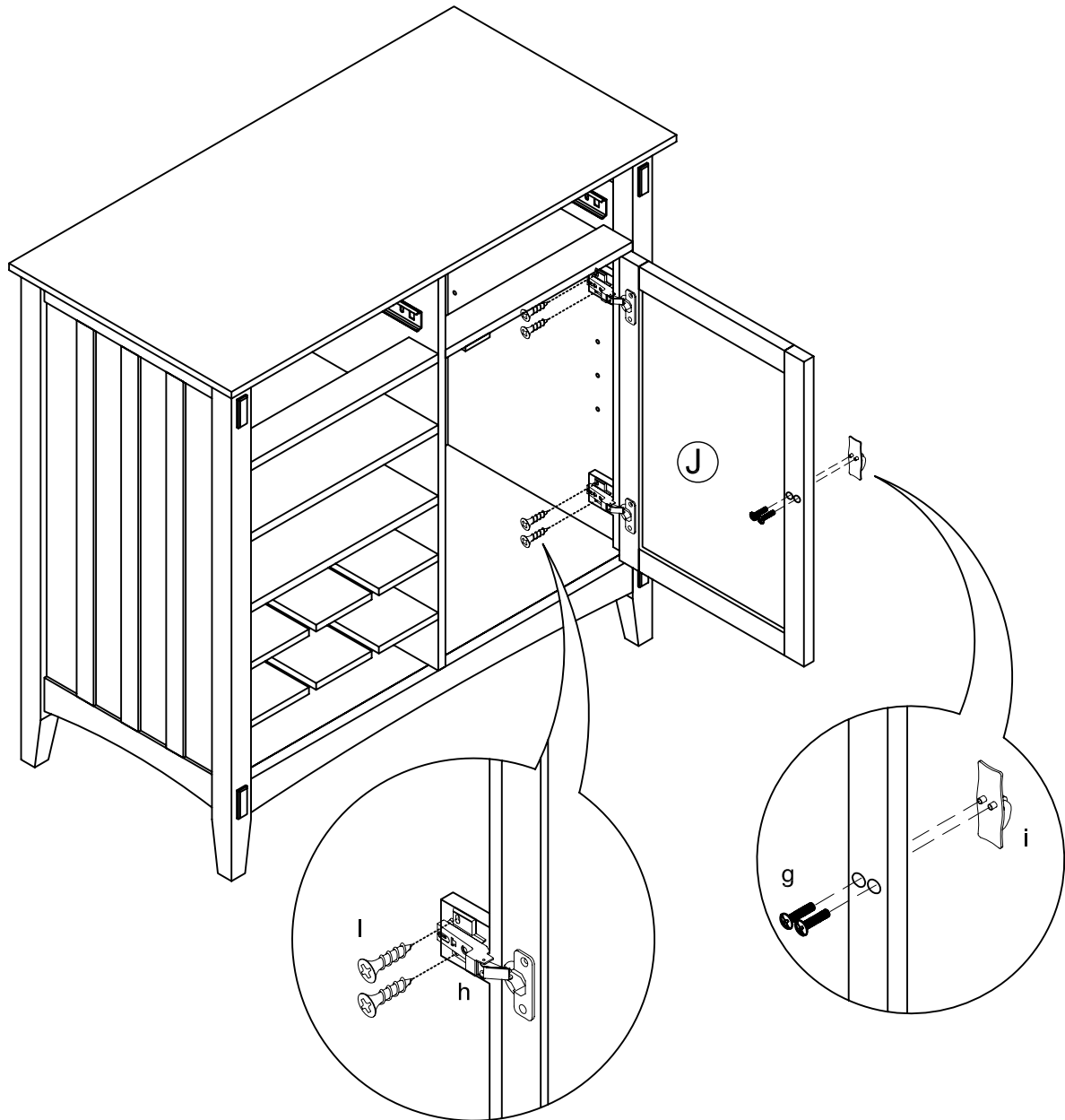
- INSTALL THE WOOD DOWEL (a) AND THE CAM LOCK BOLT (b) INTO THE TOP PANEL (I) .
- JOIN THE TOP PANEL (I) TO THE ASSEMBLED PART BY USING THE WOOD DOWEL (a) FIRST.
- ONCE JOINED, TIGHTEN CAM LOCK (c) ONTO CAM LOCK BOLT (b) USING PRE-DRILLED HOLES.

FIG 5



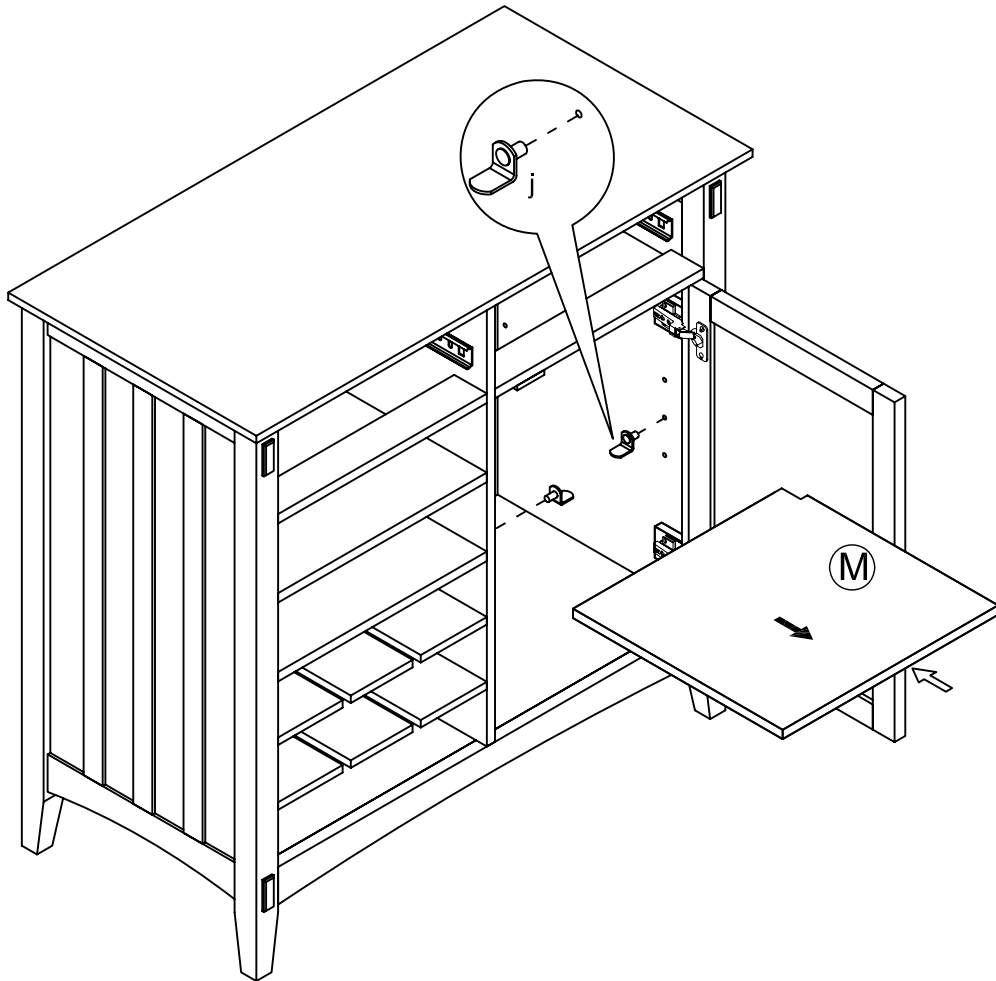
- TIGHTEN THE HINGE (h) INTO THE DOOR (J) BY USING THE 5/8" L FLAT HEAD SCREW (l).

FIG 6



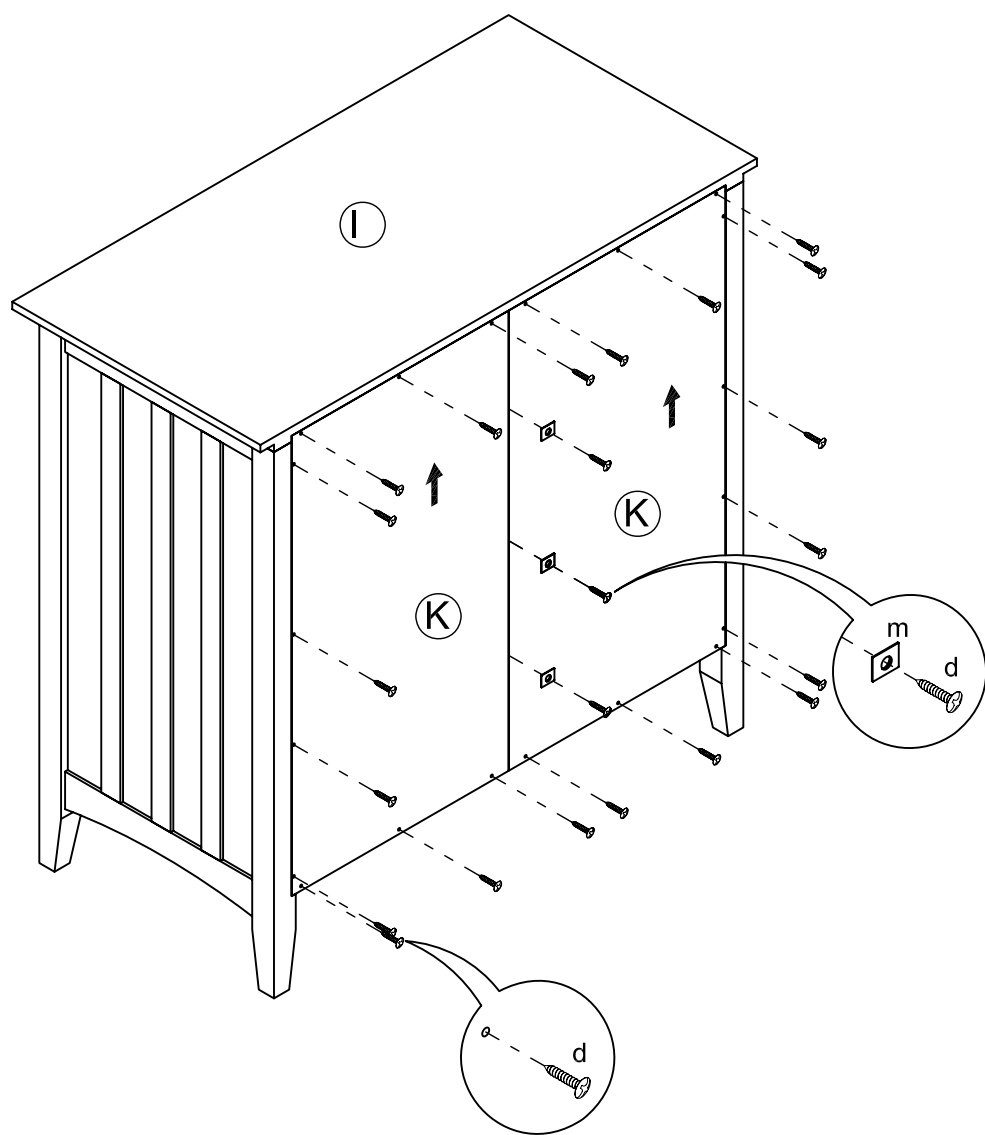
- ATTACH THE DOOR (J) TO THE ASSEMBLED PART BY USING THE 5/8"L FLAT HEAD SCREW (l).
- TIGHTEN THE HANDLE (i) TO THE DOOR (J) BY USING THE HANDLE BOLT (g).

FIG 7



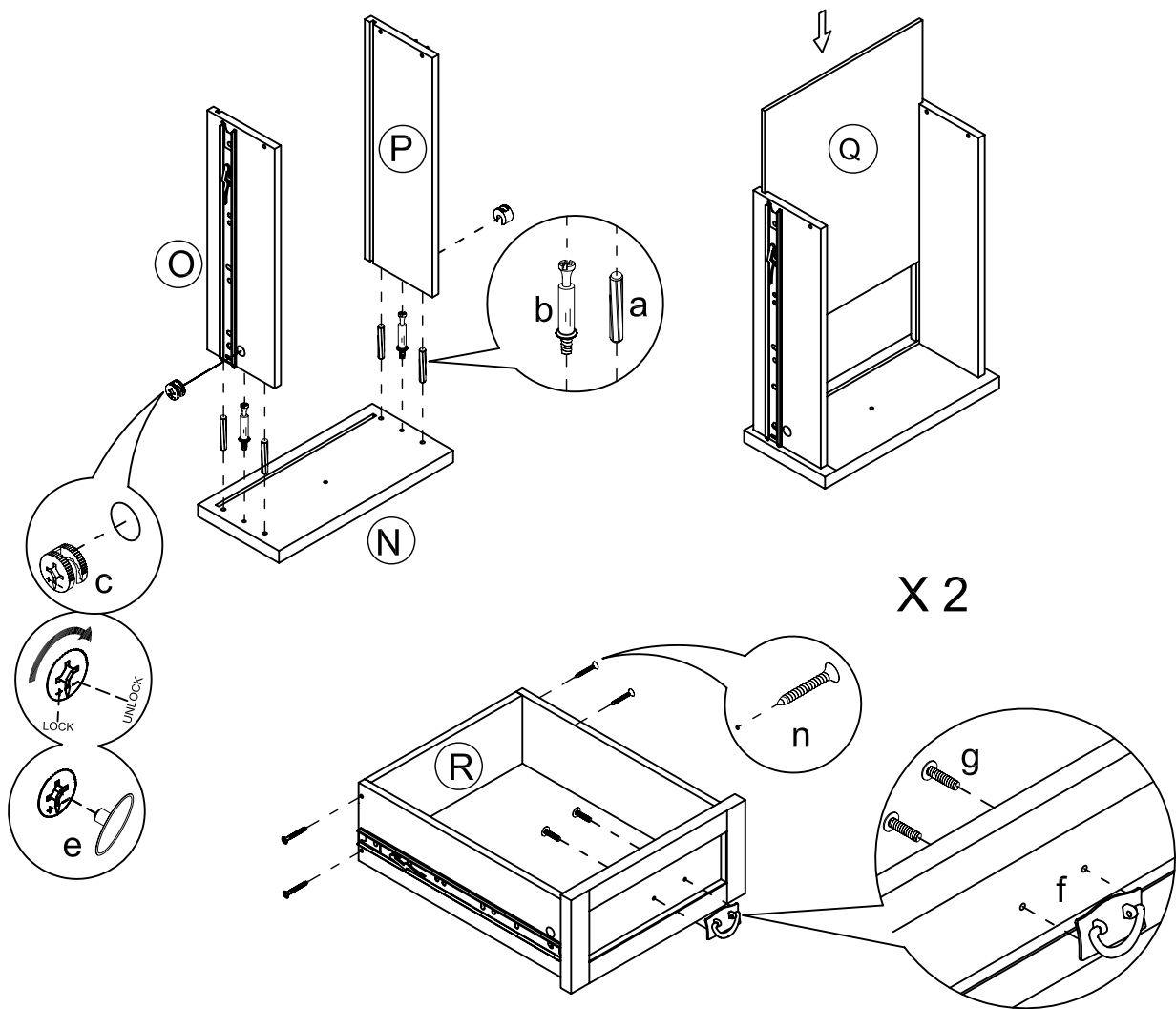
- PLACE THE SHELF PIN (j) INTO DESIRED POSITION AND PLACE THE ADJUSTABLE SHELF (M) ABOVE THE SHELF PIN (j).

FIG 8



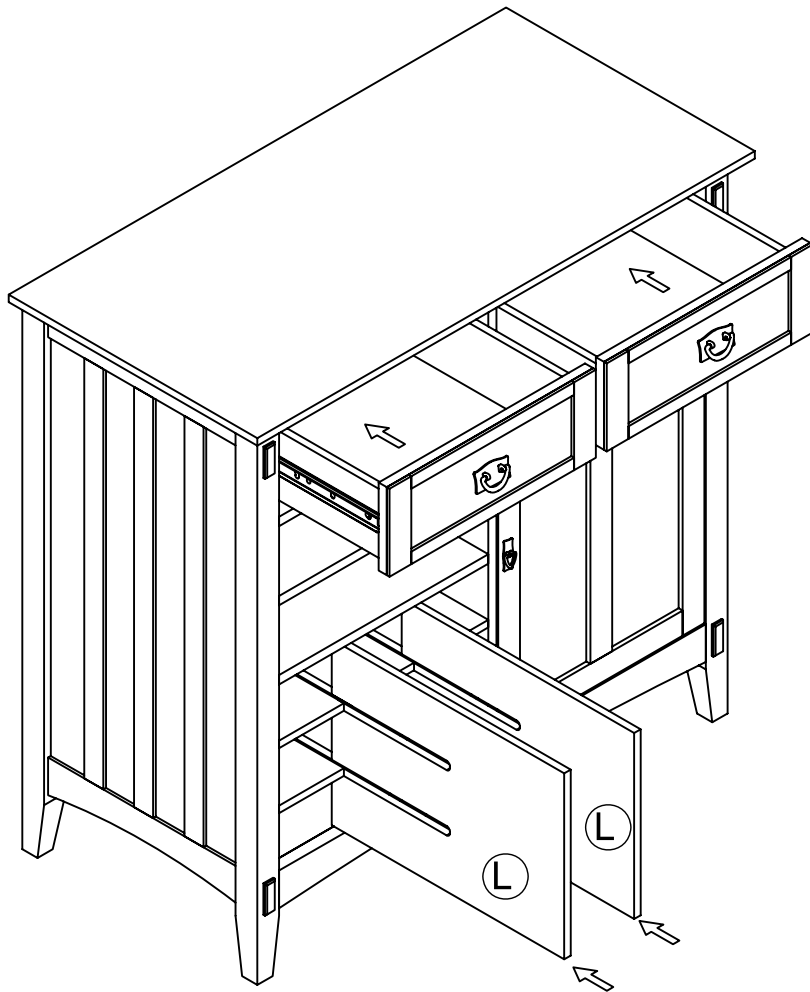
- TIGHTEN THE BACK PANEL (K) AND THE METAL PLATE (m) TO THE ASSEMBLED PART BY USING THE 5/8" ROUND HEAD SCREW (d).

FIG 9



- INSTALL THE WOOD DOWEL (a) AND THE CAM LOCK BOLT (b) INTO THE DRAWER FRONT PANEL (N).
- JOIN THE DRAWER LEFT SIDE PANEL (O) AND THE DRAWER RIGHT SIDE PANEL (P) TO THE DRAWER FRONT PANEL (N).
- ONCE JOINED, TIGHTEN CAM LOCK (c) ONTO CAM LOCK BOLT (b) USING PRE-DRILLED HOLES.
- COVER CAM HOLES WITH THE SHORT PLASTIC COVER (e).
- SLIDE THE DRAWER BOTTOM PANEL (Q) INTO THE GROOVES ON THE DRAWER LEFT SIDE PANEL (O) AND THE DRAWER RIGHT SIDE PANEL (P).
- JOIN THE DRAWER BACK PANEL (R) TO THE ASSEMBLED DRAWER PART AND TIGHTEN THE DRAWER BACK PANEL (R) BY USING THE 1" FLAT HEAD SCREW (n) THROUGH THE PRE-DRILLED HOLES ON THE SIDE PANELS.
- TIGHTEN THE HANDLE (f) TO THE DRAWER FRONT PANEL (N) BY USING THE HANDLE BOLT (g).
- REPEAT STEPS ABOVE FOR THE 2ND DRAWER.

FIG 10



- INSERT DIVIDER (L) AND DRAWERS INTO THE ASSEMBLED UNIT.