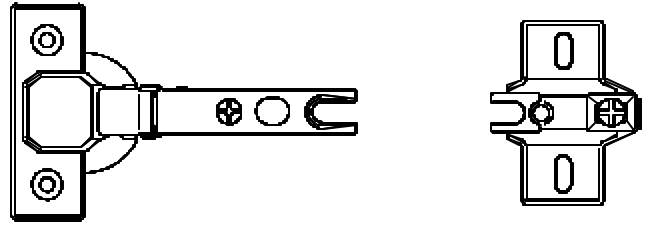


Hinge Adjustment Instructions



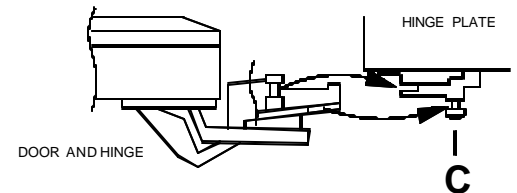
(Rear Mounted Screw Design)

Please note: Before you begin, make certain that the Hinge Plate is slightly loose for ease of installation. The Adjustment "Screw C", located on the Hinge Plate, should be mounted towards the rear of the Cabinet Box.

1 DOOR INSTALLATION

Carefully hold the Door and slide the Hinges on the Hinge Plates, top and bottom.

Please note, the pin on the Hinge slides into the slot of the Hinge Plate and the slot in the Hinge slides under the screw head of "Screw C". Tighten "Screw C", top and bottom, to secure the Door to cabinet.

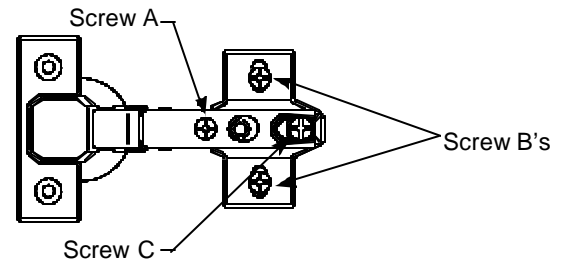


Please note, that the Cabinet Box must be level and plumb for the Door to work properly. Under certain conditions, the wall surfaces may not be plumb, which results in a slight gap, either at the top or bottom, between the Door and Door Bumpers.

2 DOOR ADJUSTMENT PROCEDURE

Please note, only a slight adjustment is required. Rotate the Door Adjustment screws 1/8 to 1/4 turns at a time, then check the Door's position. Rotate Adjustment screws again if necessary.

Care must be taken during Hinge adjustment to avoid damage, to mating doors if supplied with your Bath Cabinet .

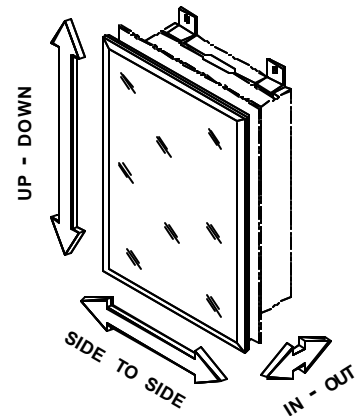


SIDE TO SIDE ADJUSTMENT : Door is adjusted side to side by turning "Screw A" clockwise or counterclockwise.

UP - DOWN ADJUSTMENT : Loosen "Screw B" on both top and bottom Hinge Plate. Raise or lower door to the desired position and re-tighten both screws.

IN - OUT ADJUSTMENT : Loosen "Screw C" on both top & bottom hinges. Move the Door in or out to desired position and re-tighten.

Please note, if door is too close to cabinet, it will not swing freely.



ILLUSTRATIONS OF COMPONENTS

