

**2999-18**

**- NOTICE -**

**This playset product is not intended for public use. It is intended for residential application and is not warranted for public or commercial use.**



***Call Us First!***  
***DO NOT RETURN TO STORE.***

**For immediate help with assembly or product information**

**Call our toll-free number:**

**1-866-890-2211**

**April through October M - F 8:00 AM to 6:00 PM EST**

**Saturday 8:30 AM to 4:30 PM EST**

**November through March M - F 8:00 AM to 5:00 PM EST**

**or email:**

***customerservice@backyard-play.com***

**Our staff is ready to provide assistance.**

(This page intentionally left blank.)

Customer Service  
1-866-890-2211  
1000 Ternes Drive  
Monroe, MI 48162

*Backyard Play Systems*

**Model 4429**

# Playset

**Recommended for Ages 3 to 11**

## - BEFORE YOU BEGIN -

### Tools Required

Socket Set

Hammer

9/16" Combination  
Wrench

3/16" Allen Wrench

#2 Square Drive  
Bit

T-20 Torque Drive  
Bit

#3 Phillips Bit

Cordless Drill  
w/Charger

1/8" Drill Bit

7/16" Drill Bit

1/4" Drill Bit

3/8" Drill Bit

Tape Measure

Level

C - Clamps

8' Step Ladder

Framing/Speed  
Square

### First...

- Check with your homeowner's association before assembling.
- Read instructions thoroughly before you begin. If you have purchased accessories to accompany this play set, please read all installation instructions before beginning assembly of this structure.

### Check All Parts

- If a part is missing, circle the part in question and call.

### Important

- In a drawing, a dotted line represents a part hidden from view (like a part under a panel).

### Adult Assistance required

- Assistance is necessary to handle, fit and secure some components.

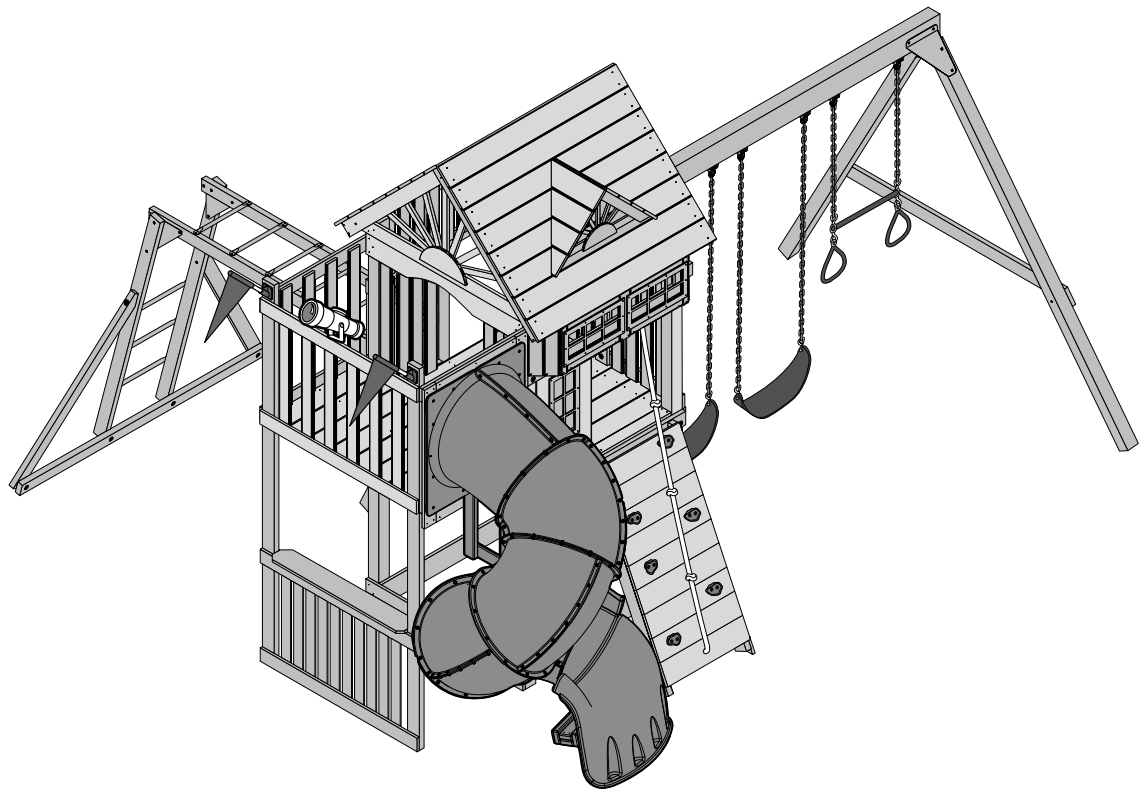
### Squareness is very Important!

Start with a level surface and keep 90° corners and 90° perpendiculars throughout the assembly to ensure all components fit together.

### Safety!

- Check for protruding screws and bolts, verify all screw and bolt lengths during assembly.

**Always wear OSHA-APPROVED safety glasses throughout assembly process.**



## - NOTICE -

**This playset product is not intended for public use. It is intended for residential application and is not warranted for public or commercial use.**

Your premium playset is manufactured from wood which has many natural characteristics and blemishes that may be present in some of the pieces in your playset. These natural characteristics may include knots or minor cracks/splits. All individual parts have been cut to provide a smooth and safe surface. All parts have been inspected to assure we pack only the safest, most durable wood product. Any minor blemishes in your playset will not affect the strength, durability, or structural integrity of the finished product. Our limited warranty does not cover the imperfections not resulting in structural failure.

## ASSEMBLY SAFETY and HELPFUL HINTS

STOP!

**STOP!!!** Check all parts and hardware before beginning. If any parts are missing or damaged please circle and call the phone number listed.  
**DO NOT CONTACT THE STORE OR RETURN YOUR PLAYSET !**

STOP!

**KEEP THIS INSTALLATION MANUAL FOR FUTURE CARE AND MAINTENANCE REFERENCE.**

**To aid in making your playset assembly easier, here is a listing of some helpful hints.**

- Wear safety glasses during drilling, assembly of your playset.
- Children should not be allowed in the playset assembly and build area.
- Note the hole orientation on parts to avoid having to take parts apart later.
- Some steps require the assistance of two people to ensure proper assembly, safety during assembly, as well as preventing any damage to the playset.

STOP!

**\*IMPORTANT HARDWARE INFORMATION\***

STOP!



- All hex bolts and lag bolts require a lock washer or lock nut.
- To properly install lock nuts, two to three threads must protrude past the lock nut and be exposed once tightened.



- Due to wood characteristics and the manufacturing process hex bolts may protrude past a surface. If this condition occurs add additional supplied washers to eliminate bolt protrusion.
- To aid in proper assembly pound T-nuts into their respective hole prior to assembly
- Pound in T-nuts while the part is on the ground to ensure proper seating.
- Use a soft material under parts when pounding in T-nuts to ensure no scratching or de-facing of parts.



- Make sure all fasteners used are as specified. Using a fastener not specified in a particular application may result in too much thread exposure or not enough thread engagement.



# SAFETY WARNINGS

**Please read carefully. Observing the following statements and warnings reduces the likelihood of serious or fatal injury.**

- This playset has been designed for use by a maximum of 12 occupants at one time having a combined weight of 1,260 pounds. (This weight does not include occupants in the sandbox area.)
- This playset is recommended for children (3) through (11) years of age.
- On-site adult supervision for children of all ages is recommended.
- Instruct children not to walk close to, in front of, behind, or between moving items.
- Instruct children not to twist swing chains or ropes or loop them over the top support bar since this may reduce the strength of the chain or rope.
- Instruct children to avoid swinging empty seats.
- Teach children to sit in the center of the swings with their full weight on the seats.
- Instruct children not to use the equipment in a manner other than intended.
- Instruct children not to get off equipment while it is in motion.
- Parents should dress children appropriately (examples would include the use of well-fitting shoes and the avoidance of ponchos, scarves, and other loose-fitting clothing that is potentially hazardous while using equipment).
- Instruct children not to climb when the equipment is wet. Slippery surfaces may cause a hazard.
- Verify that suspended climbing ropes, chain, or cable are secured at both ends.
- Verify that suspended climbing ropes, chain, or cable cannot be looped back on itself.
- Instruct children not to attach items to the playground equipment that are not specifically designed for use with the equipment, such as, but not limited to, jump ropes, clothesline, pet leashes, cables and chain as they may cause a strangulation hazard.
- Instruct children to remove their bike or other sports helmet before playing on the playground equipment.
- Instruct children to not walk or run up slides.
- Instruct children to not pick up slides or ramps as this may cause damage or breakage.
- Place the equipment on level ground not less than six (6) feet from any obstructions. Be sure to look overhead for any obstructions above the playset.
- Do not use the equipment until fully erected per this playset instruction manual, bolts tightened and the playset is anchored to the ground.

## **NOTICE:**

**This playset product is not intended for public use. It is intended for residential application and is not warranted for public or commercial use.**

# MAINTENANCE

**Periodic maintenance is required to ensure safe enjoyment of your playset and optional accessories.**

**Observing the following procedures reduces the likelihood of serious or fatal injury.**



**Activity on your playset and optional accessories may loosen fasteners. Check all lock nuts, hex and lag bolts, quick clips, spring clips, acorn nuts, wood screws, and swing hangers for tightness and tighten as required. T-nuts should be inspected for full and proper seating into the wood.**

- Checking, splitting and surface cracking are characteristics of all wooden playsets. This is caused by varying seasonal temperatures and moisture conditions. To minimize this checking and/or cracking you may coat your playset with a water repellent.

## PLAYSET CHECKLIST

### At the beginning of each play season:

- Tighten all hardware.
- Lubricate all metallic moving parts per manufacturer's instructions.
- Check all protective coverings on bolts, pipes, edges, and corners. Replace if they are loose, cracked, or missing.
- Check all moving parts including swing seats, ropes, cables, and chains for wear, rust, or other deterioration. Replace as needed.
- Check metal parts for rust. If found, sand and repaint using a nonleaded-based paint meeting the requirements of 16 CFR 1303.
- Check all wood members for deterioration and splinters. Sand down splinters and replace deteriorating wood members.
- Reinstall any plastic parts, such as swing seats or any other items that were removed for the cold season.
- Rake and check depth of loose fill protective surfacing materials to prevent compaction and to maintain appropriate depth. Replace as necessary.

### Twice a month during play season:

- Tighten all hardware.
- Check all protective coverings on bolts, pipes, edges, and corners. Replace if they are loose, cracked, or missing.
- Rake and check depth of loose fill protective surfacing materials to prevent compaction and to maintain appropriate depth. Replace as necessary.

### Once a month during play season:

- Lubricate all metallic moving parts per manufacturer's instructions.
- Check all moving parts including swing seats, ropes, cables, and chains for wear, rust, or other deterioration. Replace as needed.
- At the end of each play season or when the temperature drops below 10°F remove plastic swing seats, tents, sandbox cover, tire swing, slide and other items as specified by the manufacturer and take indoors or do not use.
- Rake and check depth of loose fill protective surfacing materials to prevent compaction and to maintain appropriate depth. Replace as necessary.

**When you are ready to dispose of your playset, make sure that all metal, plastic and wood components are disposed of in accordance with local waste ordinances.**

**Buyer and/or owner should disassemble and dispose of the playground equipment in such a way that no unreasonable hazards will exist at the time the swing set is discarded.**

# PLAYGROUND SURFACING MATERIALS

## SECTION 4 OF THE CONSUMER PRODUCT SAFETY COMMISSION'S OUTDOOR HOME PLAYGROUND SAFETY HANDBOOK<sup>9</sup>

### Select Protective Surfacing

One of the most important things you can do to reduce the likelihood of serious head injuries is to install shock-absorbing protective surfacing under and around your play equipment. The protective surfacing should be applied to a depth that is suitable for the equipment height in accordance with ASTM Specification F 1292. There are different types of surfacing to choose from; whichever product you select, follow these guidelines:

**NOTE:** Do not install home playground equipment over concrete, asphalt, or any other hard surface. A fall onto a hard surface can result in serious injury to the equipment user. Grass and dirt are not considered protective surfacing because wear and environmental factors can reduce their shock absorbing effectiveness. Carpeting and thin mats are generally not adequate protective surfacing. Ground level equipment – such as a sandbox, activity wall, playhouse or other equipment that has no elevated play surface – does not need any protective surfacing.

### Loose-Fill Materials:

- Maintain a minimum depth of 9 inches of loose-fill materials such as wood mulch/chips, engineered wood fiber (EWF), or shredded/recycled rubber mulch for equipment up to 8 feet high; and 9 inches of sand or pea gravel for equipment up to 5 feet high. NOTE: An initial fill level of 12 inches will compress to about a 9-inch depth of surfacing over time. The surfacing will also compact, displace, and settle, and should be periodically refilled to maintain at least a 9-inch depth.
- Use a minimum of 6 inches of protective surfacing for play equipment less than 4 feet in height. If maintained properly, this should be adequate. (At depths less than 6 inches, the protective material is too easily displaced or compacted.)
- Use containment, such as digging out around the perimeter and/or lining the perimeter with landscape edging. Don't forget to account for water drainage. U.S. Consumer Product Safety Commission, Washington, D.C., 20207 or call the toll-free hotline :1-800-638-2772
- Check and maintain the depth of the loose-fill surfacing material. To maintain the right amount of loose-fill materials, mark the correct level on play equipment support posts. That way you can easily see when to replenish and/or redistribute the surfacing.
- Do not** install loose fill surfacing over hard surfaces such as concrete or asphalt.

### Poured-In-Place Surfaces or Pre-Manufactured Rubber Tiles:

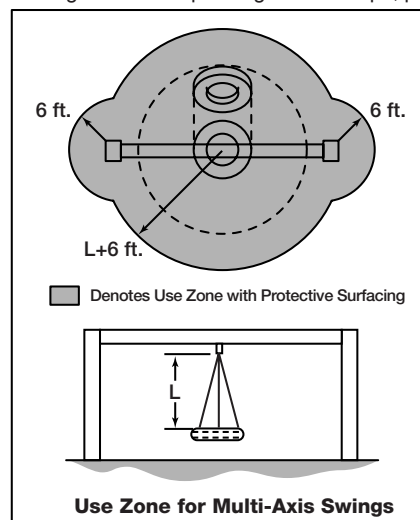
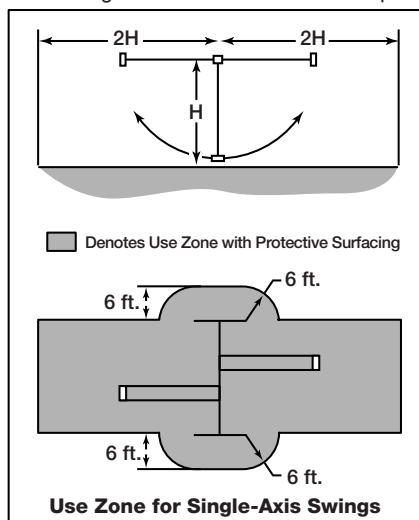
You may be interested in using surfacing other than loose-fill materials – like rubber tiles or poured-in-place surfaces.

- Installations of these surfaces generally require a professional and are not "do-it-yourself" projects.
- Review surface specifications before purchasing this type of surfacing. Ask the installer/manufacturer for a report showing that the product has been tested to the following safety standard: ASTM F 1292 Standard Specification for Impact Attenuation of Surfacing Materials within the Use Zone of Playground Equipment. This report should show the specific height for which the surface is intended to protect against serious head injury. This height should be equal to or greater than the fall height – vertical distance between a designated play surface (elevated surface for standing, sitting, or climbing) and the protective surfacing below – of your play equipment.
- Check the protective surfacing frequently for wear.

### Placement

Proper placement and maintenance of protective surfacing is essential. Be sure to

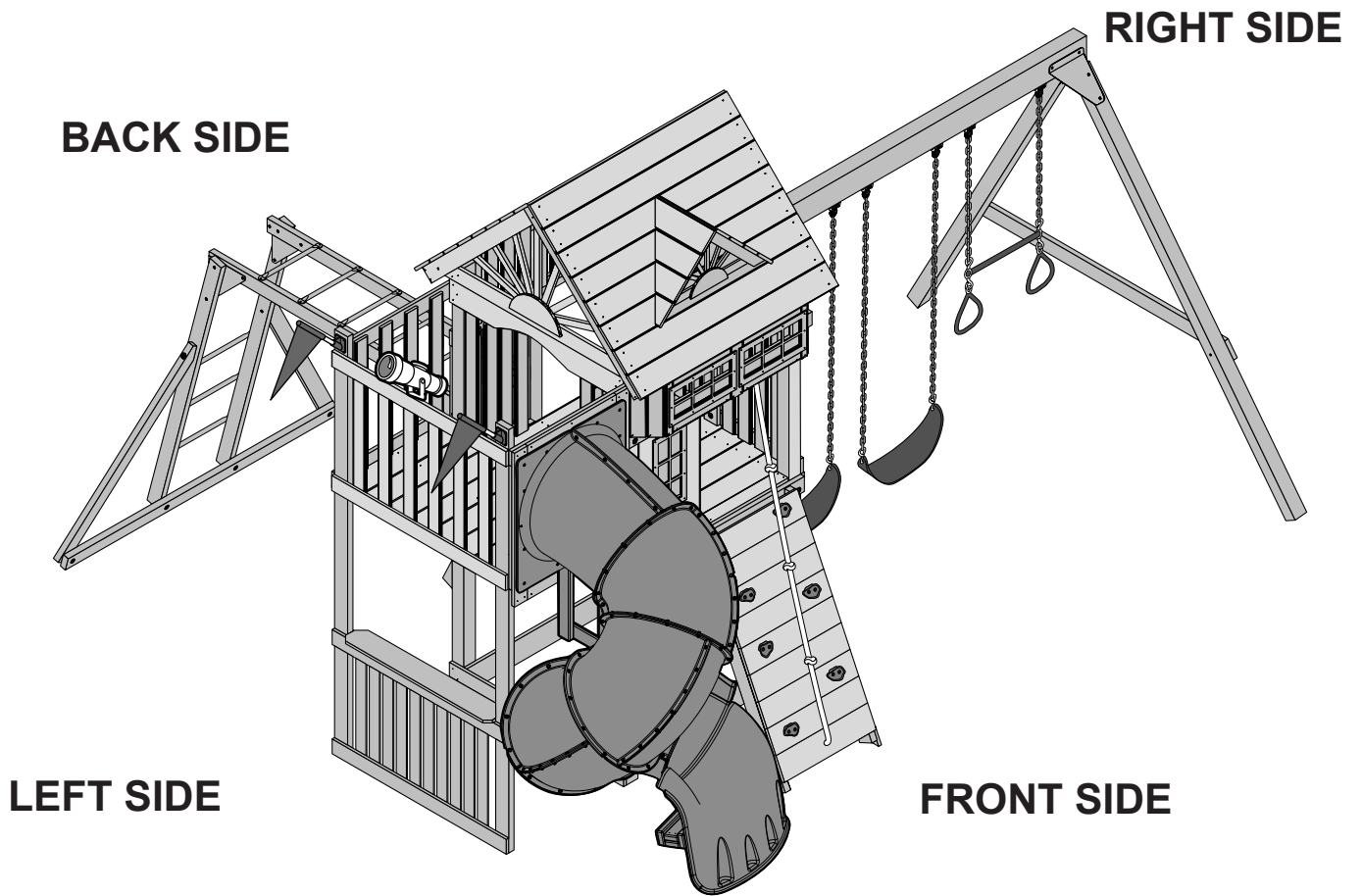
- Extend surfacing at least 6 feet from the equipment in all directions.
- For to-fro swings, extend protective surfacing in front of and behind the swing to a distance equal to twice the height of the top bar from which the swing is suspended.
- For tire swings, extend surfacing in a circle whose radius is equal to the height of the suspending chain or rope, plus 6 feet in all directions.



<sup>9</sup> This information has been extracted from the CPSC publications "Playground Surfacing—Technical Information Guide" and "Handbook for Public Playground Safety." Copies of these reports can be obtained by sending a postcard to the: Office of Public Affairs, U.S. Consumer Product Safety Commission, Washington, D.C., 20207 or call the toll-free hotline: 1-800-638-2772

**\*Hint\***

Throughout this manual references made to the *Left Side*, the *Right Side*, the *Front Side* and the *Back Side* of the playset serve as a consistent reminder to help with assembly.



# IMPORTANT!

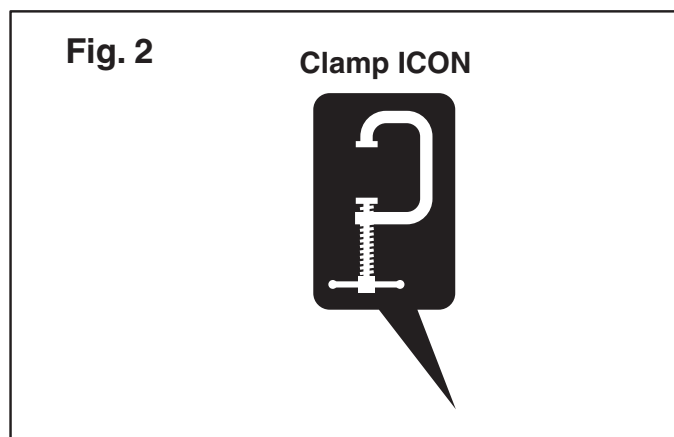
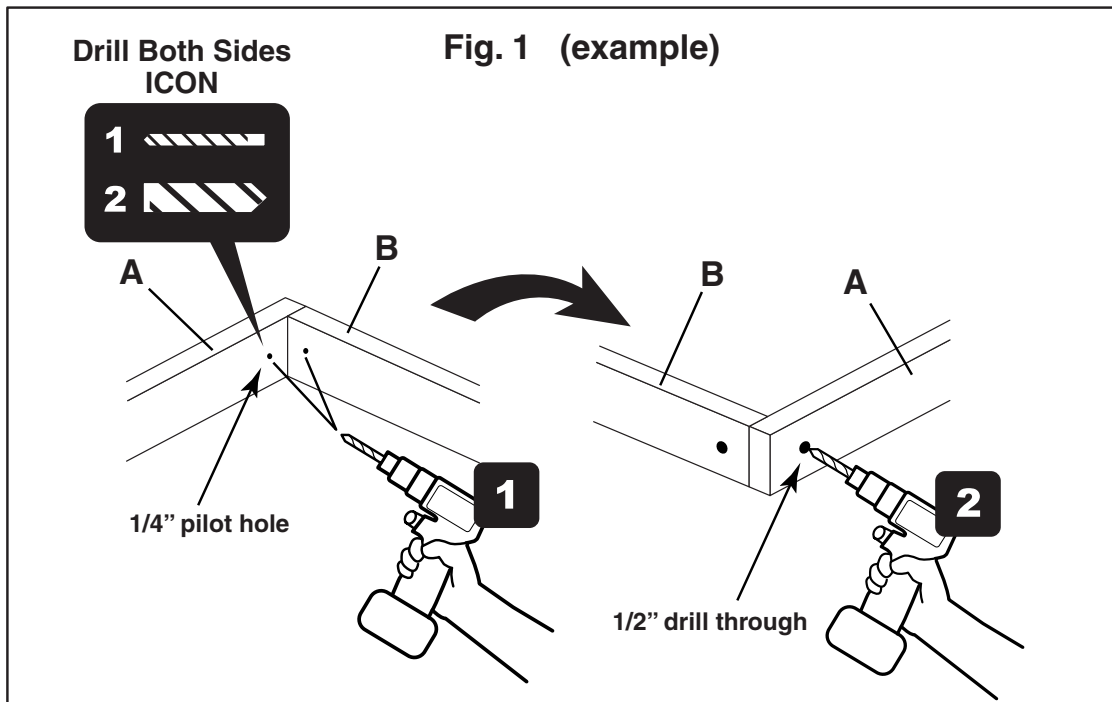
Use these Assembly Procedure Hints throughout the installation process.



1. All Lag Bolts must have pre-drilled holes. Use a 1/4" drill bit for all 3/8" Lag Bolts. Use a 3/16" drill bit for all 5/16" Lag Bolts. Pre-drilling pilot holes will help prevent Screws and Lag Bolts from breaking and wood from splitting during assembly.

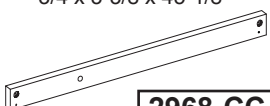
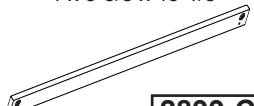
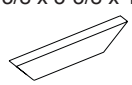
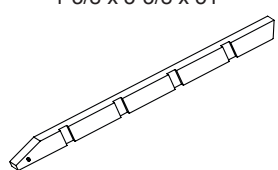
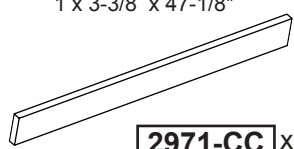
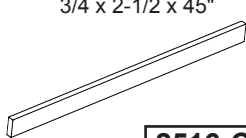
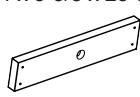
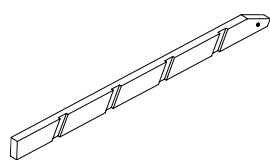
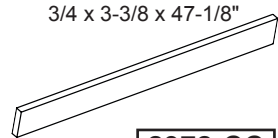
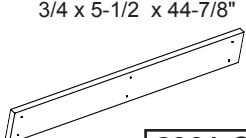
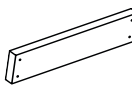
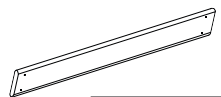
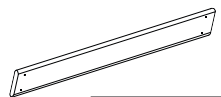
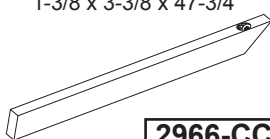
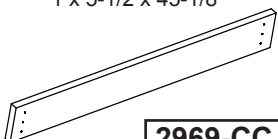
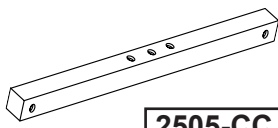
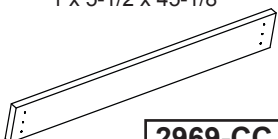
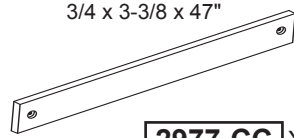
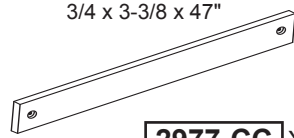

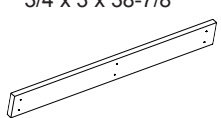

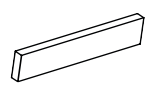
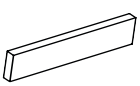

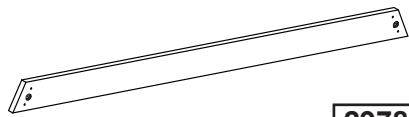

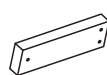
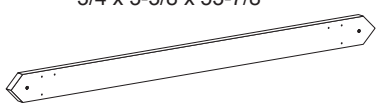
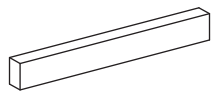
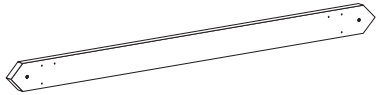
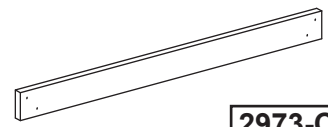
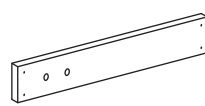
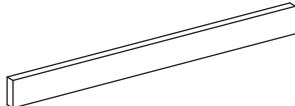
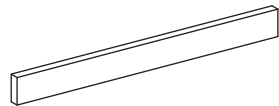
## DO NOT OVER-TIGHTEN LAG BOLTS

2. In areas where drilling a larger 1/2" hole is necessary, such as when installing T-Nuts, (Fig. 1) the recommended procedure is to first drill-through a 1/4" pilot hole from the Hex Bolt side and then drill the larger 1/2" hole from the opposite T-Nut side. This will help avoid splintering the wood. The "**Drill Both Sides ICON**" (Fig. 1) will remind you to drill according to this procedure. Be sure to clean through-holes of debris before inserting Hex Bolts.
3. When assembling parts that are difficult to hold in position while pre-drilling pilot holes or assembling, use a clamp to keep parts aligned or in position. The "**Clamp ICON**" (Fig. 2) will advise you to use this procedure.



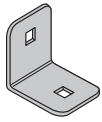
# WOOD PARTS LIST

WOOD PARTS

<p>3/4 x 3-3/8 x 45-1/8"</p>  <p><b>2968-CC</b> x1</p>	<p>1 x 3-3/8 x 45-1/8"</p>  <p><b>2899-CC</b> x6</p>	<p>1-3/8 x 3-3/8 x 18"</p>  <p><b>2970-CC</b> x4</p>	<p>1-3/8 x 3-3/8 x 51"</p>  <p><b>2521-CC</b> x1</p>
<p>1 x 3-3/8 x 47-1/8"</p>  <p><b>2971-CC</b> x1</p>	<p>3/4 x 2-1/2 x 45"</p>  <p><b>2516-CC</b> x1</p>	<p>3/4 x 5-3/8 x 23-3/4"</p>  <p><b>2974-CC</b> x1</p>	<p>1-3/8 x 3-3/8 x 51"</p>  <p><b>2522-CC</b> x1</p>
<p>3/4 x 3-3/8 x 47-1/8"</p>  <p><b>2972-CC</b> x2</p>	<p>3/4 x 5-1/2 x 44-7/8"</p>  <p><b>2961-CC</b> x7</p>	<p>3/4 x 5-3/8 x 23-3/4"</p>  <p><b>2960-CC</b> x2</p>	
<p>5/8 x 3-1/4 x 29-3/4"</p>  <p><b>2523-CC</b> x16</p>	<p>1-3/8 x 3-3/8 x 47-3/4"</p>  <p><b>2966-CC</b> x1</p>	<p>3 x 3 x 95"</p>  <p><b>2525-CC</b> x2</p>	
<p>1 x 5-1/2 x 45-1/8"</p>  <p><b>2969-CC</b> x4</p>	<p>3 x 3 x 45-1/8"</p>  <p><b>2505-CC</b> x1</p>	<p>3 x 3 x 95"</p>  <p><b>2953-CC</b> x2</p>	
<p>3/4 x 3-3/8 x 47"</p>  <p><b>2977-CC</b> x1</p>	<p>3/4 x 3-3/8 x 28-5/8"</p>  <p><b>2955-CC</b> x1</p>	<p>3 x 3 x 95"</p>  <p><b>2954-CC</b> x2</p>	
<p>3/4 x 3 x 38-7/8"</p>  <p><b>2962-CC</b> x2</p>	<p>1-3/8 x 3-3/8 x 51"</p>  <p><b>1816-CC</b> x1</p>	<p>3-3/8 x 5-3/8 x 95"</p>  <p><b>2502-CC</b> x1</p>	
<p>3/4 x 3-3/8 x 17"</p>  <p><b>2965-CC</b> x1</p>	<p>3/4 x 3-3/8 x 27"</p>  <p><b>2967-CC</b> x1</p>	<p>1 x 3-3/8 x 68-1/2"</p>  <p><b>2978-CC</b> x1</p>	
<p>1 x 3-1/2 x 15-3/8"</p>  <p><b>2524-CC</b> x4</p>	<p>3/4 x 3-3/8 x 12"</p>  <p><b>2975-CC</b> x2</p>	<p>3/4 x 3-3/8 x 53-7/8"</p>  <p><b>2976-CC</b> x2</p>	
<p>1-1/2 x 2-1/2 x 24"</p>  <p><b>2490-CC</b> x1</p>	<p>1-3/8 x 3-3/8 x 17-1/4"</p>  <p><b>PF 6295</b> x1</p>	<p>3/4 x 3-3/8 x 45-1/8"</p>  <p><b>2973-CC</b> x5</p>	
<p>3/4 x 5-3/8 x 23-3/4"</p>  <p><b>2950-CC</b> x6</p>	<p>1 x 3-3/8 x 40-1/2"</p>  <p><b>2963-CC</b> x2</p>	<p>1 x 3-3/8 x 37-1/8"</p>  <p><b>2964-CC</b> x2</p>	

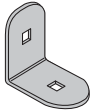
HARDWARE

90° Angle Bracket Plate



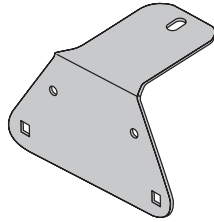
2485 x1

L-Bracket



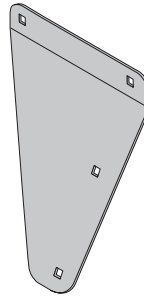
2412 x2

Swing Beam 90° Plate



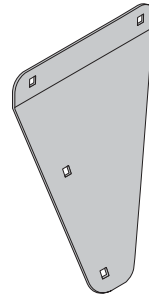
2449 x1

Swing Beam Angled Plate Left



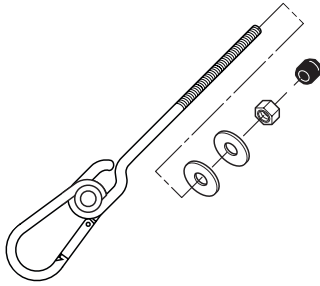
2448 x1

Swing Beam Angled Plate Right



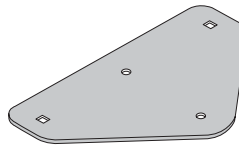
2447 x1

Swing Hanger



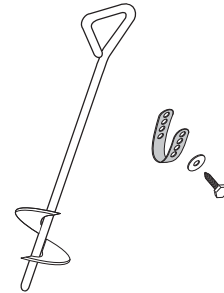
2631-B x6

Swing Beam Flat Plate



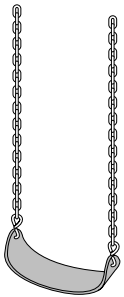
2411 x1

Anchor Stake



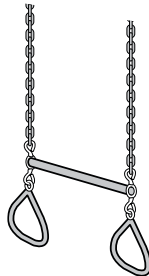
WS 4521 x4

Swing



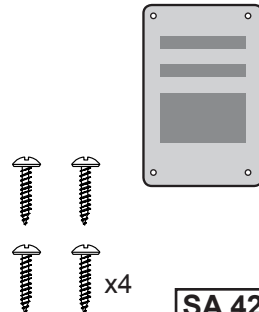
WS 4885 x2

Trapeze



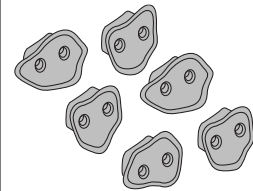
WS 1501 x1

Safety Warning Plate



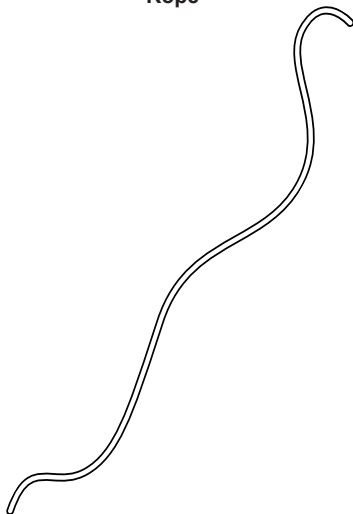
SA 4294 x1

Climbing Rocks



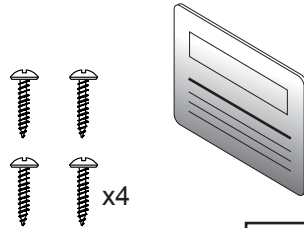
WS 4545 x6

Rope



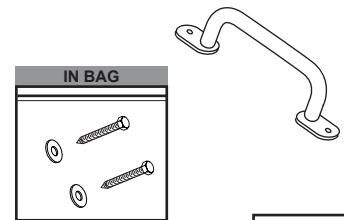
SA 3097 x1

Plaque



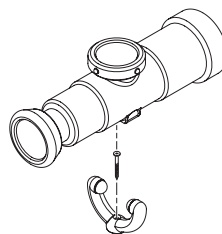
SA 4220 x1

Safety Handle



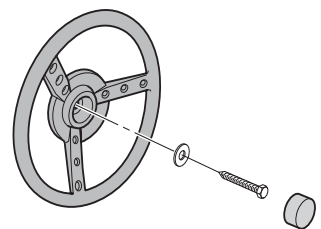
WS 4410 x3

Telescope



WS 4610 x1

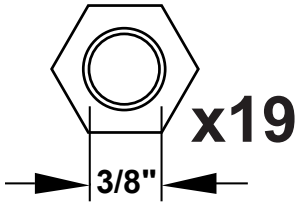
Steering Wheel



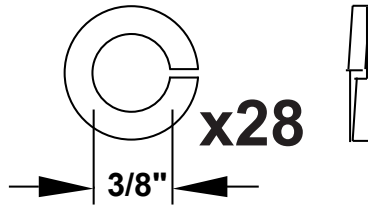
WS 4412 x1

ACCESSORIES

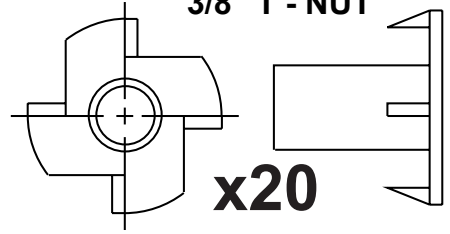
**3/8" LOCK NUT**



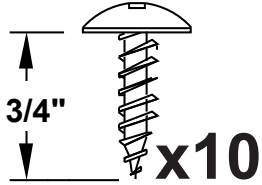
**3/8" LOCK WASHER**



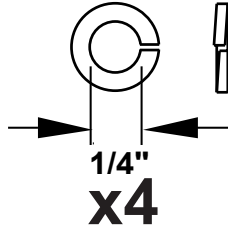
**3/8" T - NUT**



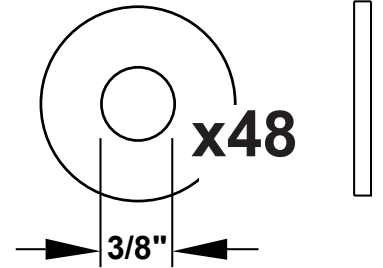
**TRUSS HEAD SCREW**



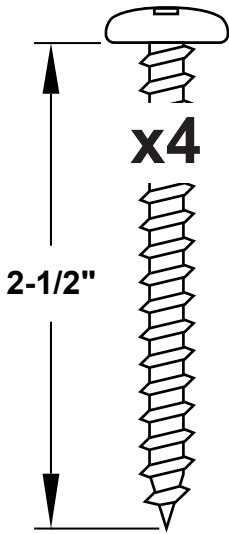
**1/4" LOCK WASHER**



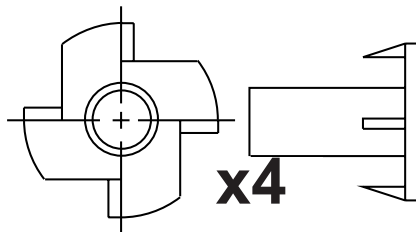
**3/8" FLAT WASHER**



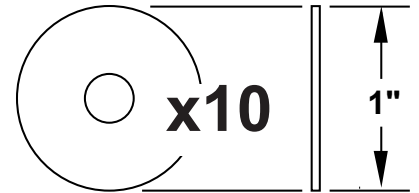
**2-1/2" PAN HEAD SCREW**



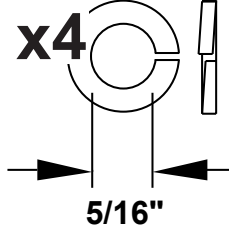
**5/16" T - NUT**



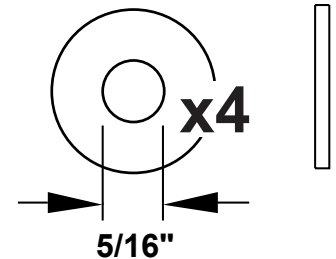
**3/16" x 1" FENDER WASHER**



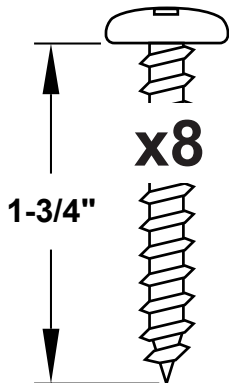
**5/16" LOCK WASHER**



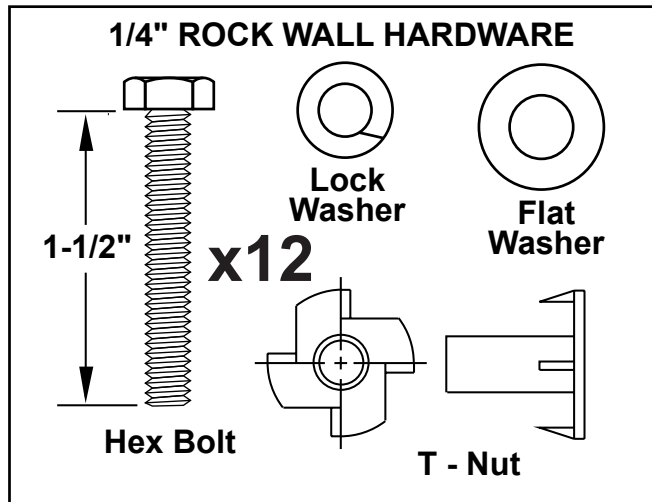
**5/16" FLAT WASHER**



**1-3/4" PAN HEAD SCREW**

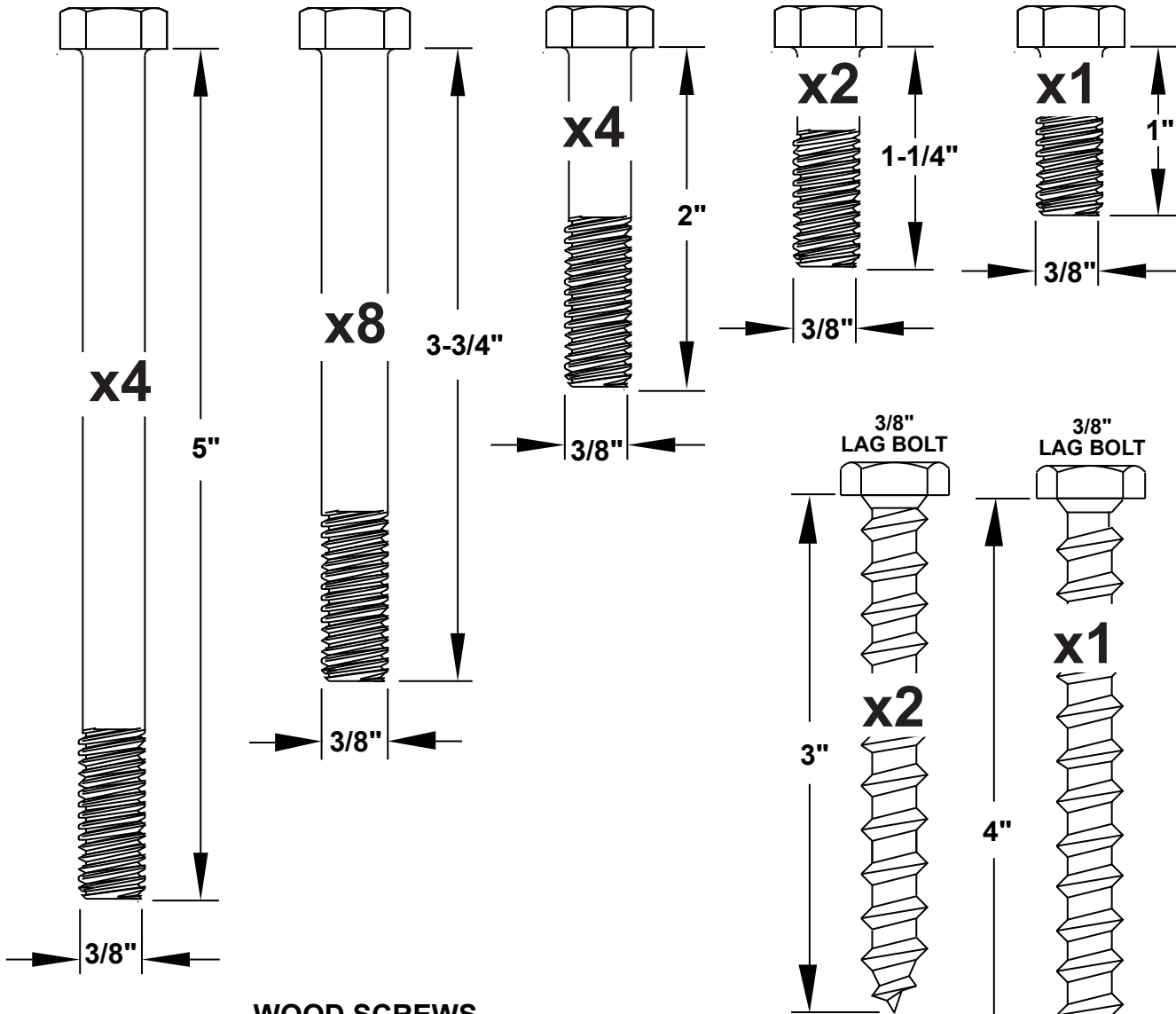


**1/4" ROCK WALL HARDWARE**

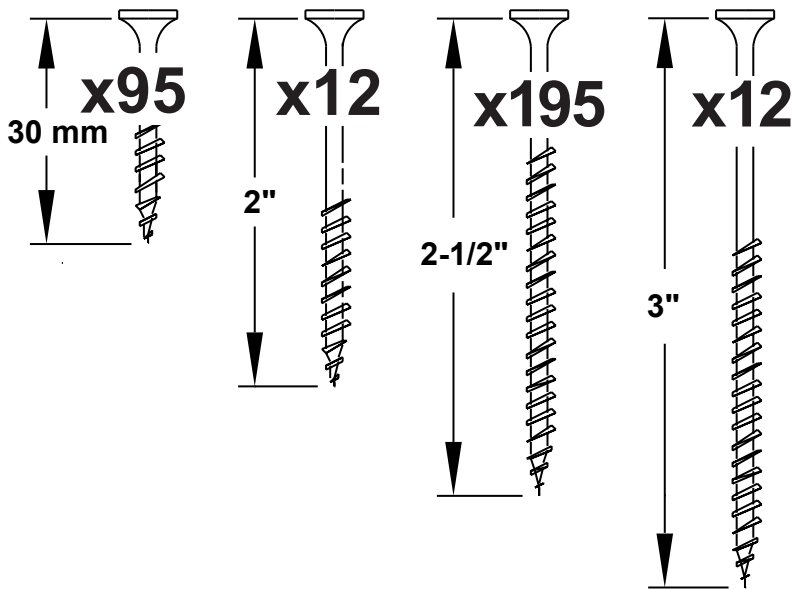


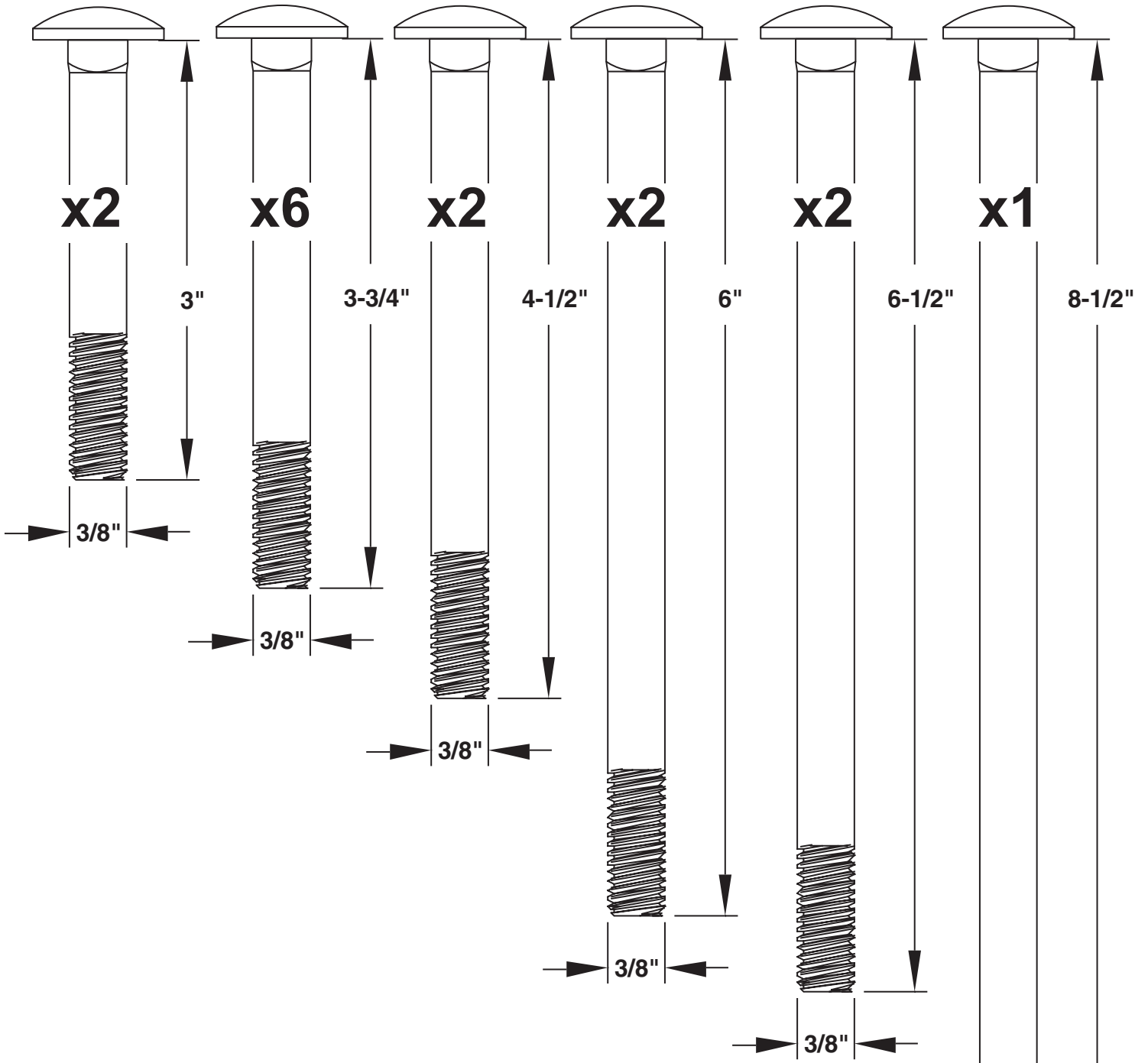


**3/8" HEX HEAD BOLTS**

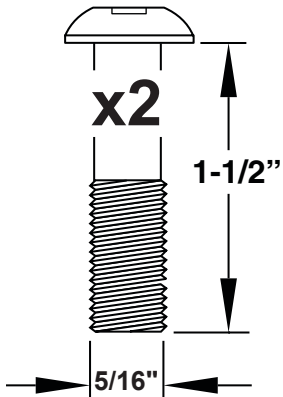


**WOOD SCREWS**

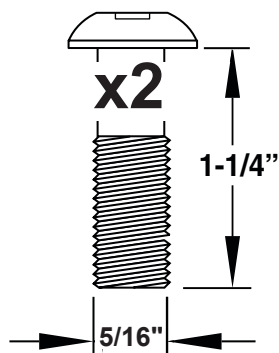




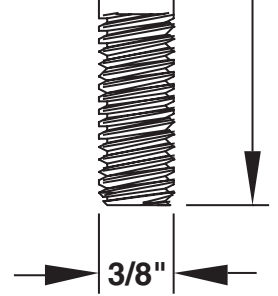
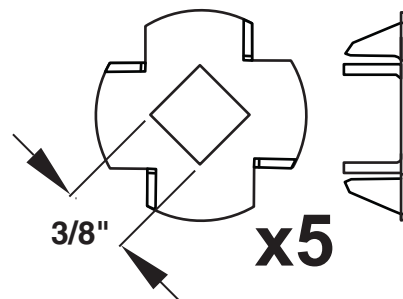
**BUTTON HD. SCREW**



**BUTTON HD. SCREW**








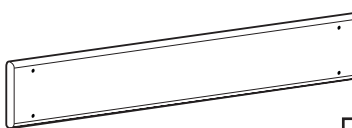

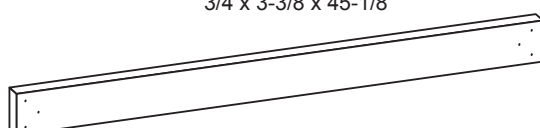

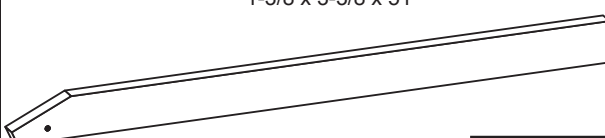

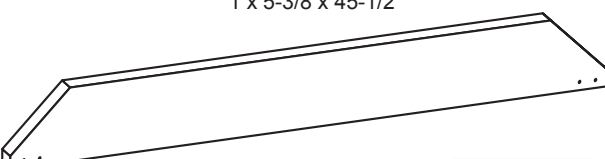
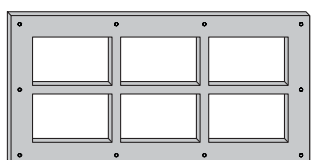
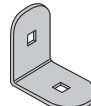


**3/8" TORQUE WASHER**



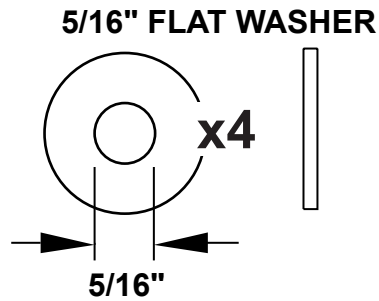
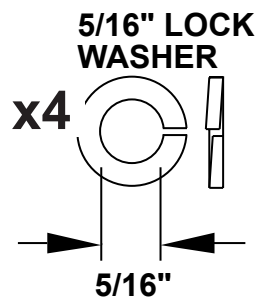
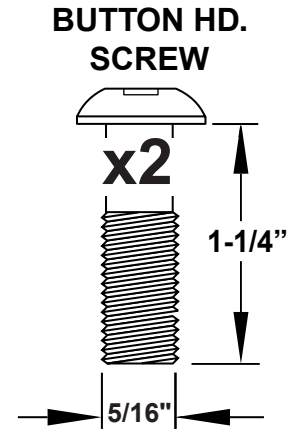
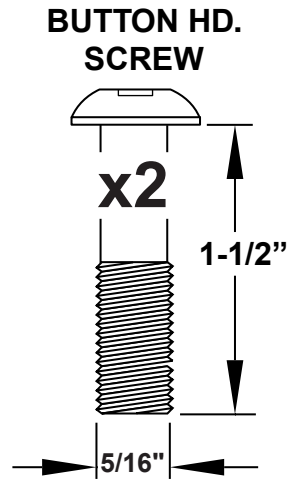
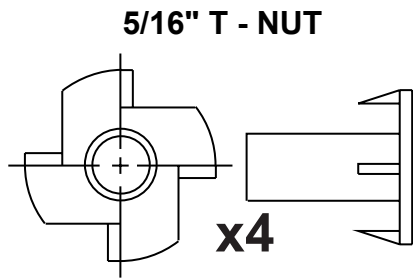
# CLUBHOUSE PARTS LIST

CLUBHOUSE PARTS

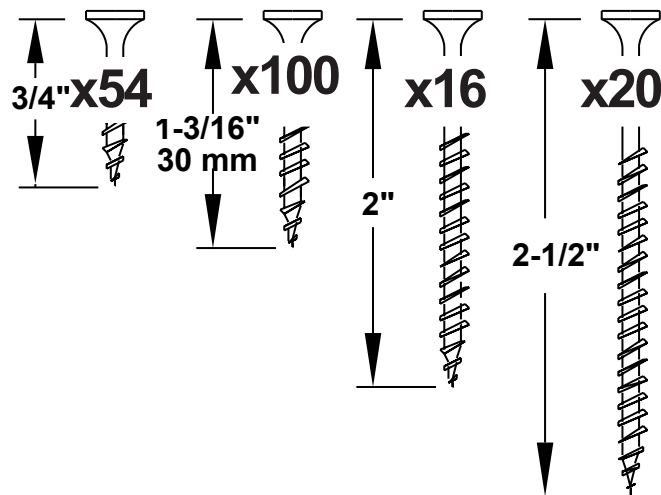
<p>3/4 x 3 x 6-15/16"</p>  <p><b>1806-CC</b> x1</p>	<p>3/4 x 3-3/8 x 19-1/4"</p>  <p><b>1814-CC</b> x4</p>
<p>3/4 x 3 x 10-5/16"</p>  <p><b>1807-CC</b> x1</p>	<p>5/8 x 3-1/4 x 5"</p>  <p><b>1811-CC</b> x2</p>
<p>5/8 x 1-7/8 x 12-7/16"</p>  <p><b>2852-CC</b> x2</p>	<p>5/16 x 2-15/16 x 16-13/16"</p>  <p><b>2864-CC</b> x2</p>
<p>5/8 x 3/1/4 x 12-7/16"</p>  <p><b>2853-CC</b> x5</p>	<p>5/8 x 4-7/8 x 29-3/4"</p>  <p><b>1809-CC</b> x2</p>
<p>5/8 x 3-1/4 x 14-3/4"</p>  <p><b>2855-CC</b> x8</p>	<p>3/4 x 3-3/8 x 45-1/8"</p>  <p><b>1812-CC</b> x2</p>
<p>5/8 x 3-1/4 x 17"</p>  <p><b>1813-CC</b> x9</p>	<p>1-3/8 x 3-3/8 x 51"</p>  <p><b>1826-CC</b> x1</p>
<p>5/8 x 3-1/4 x 9-1/2"</p>  <p><b>1810-CC</b> x2</p>	<p>1 x 5-3/8 x 45-1/2"</p>  <p><b>1808-CC</b> x2</p>
<p><b>Window</b></p>  <p><b>PF-2990</b> x5</p>	<p><b>L-Bracket</b></p>  <p><b>2412</b> x2</p>

# CLUBHOUSE HARDWARE

C L U B H O U S E F A S T E N E R S

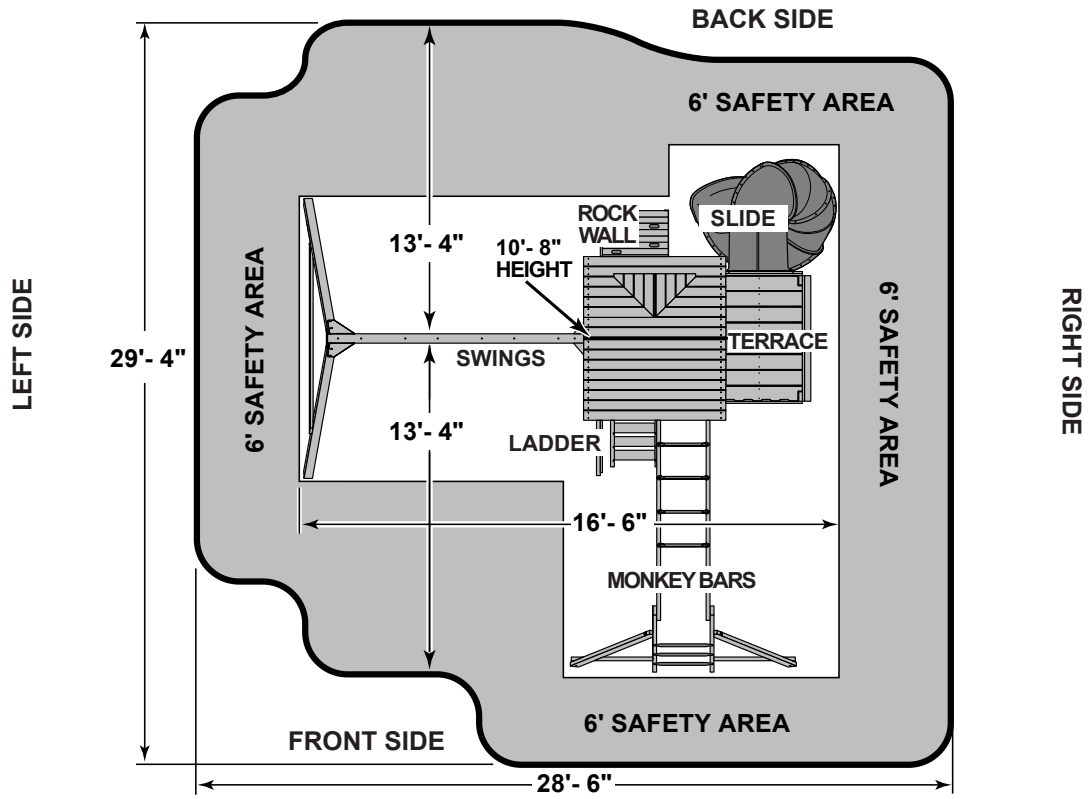


## WOOD SCREWS



# PLAYSET SET-UP

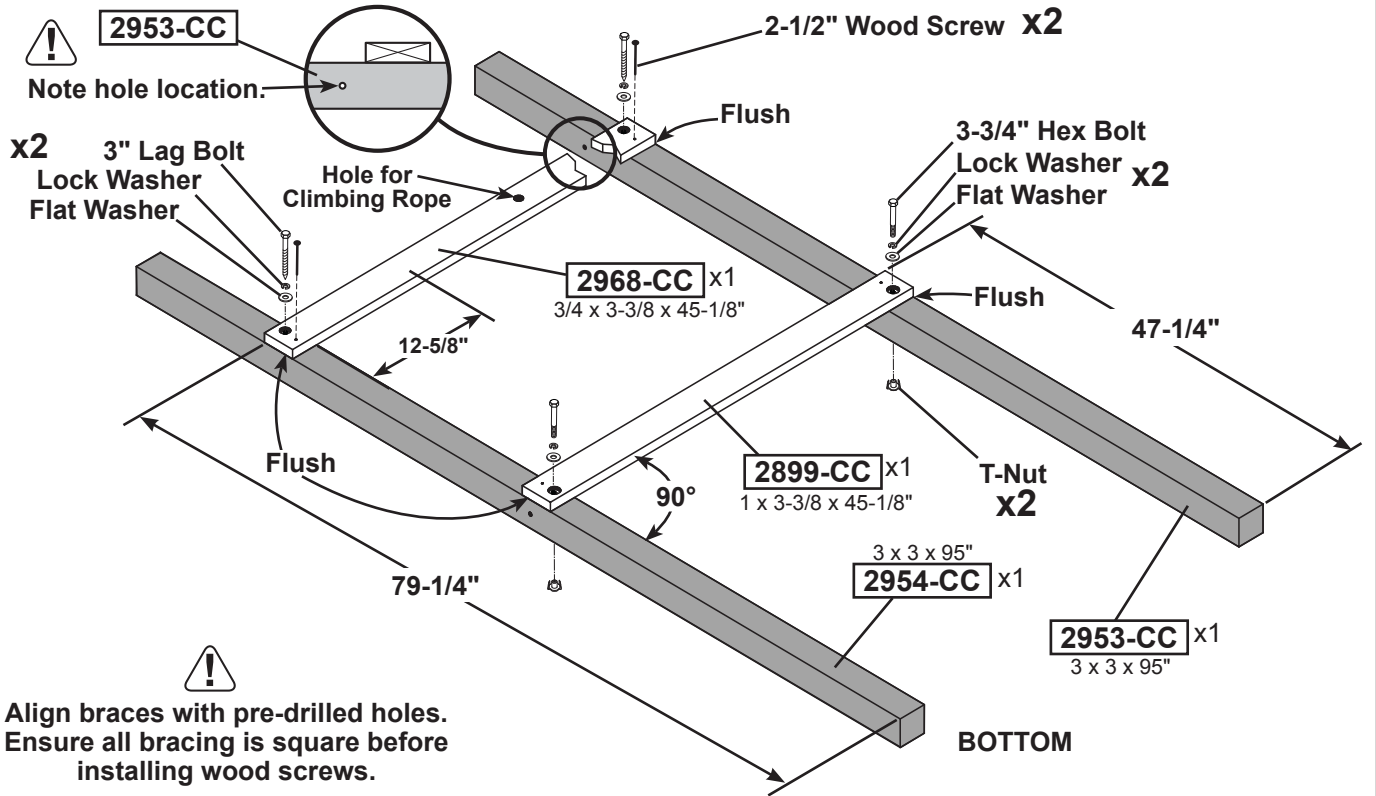
# SAFETY AREA



(This space intentionally left blank.)

# FORT

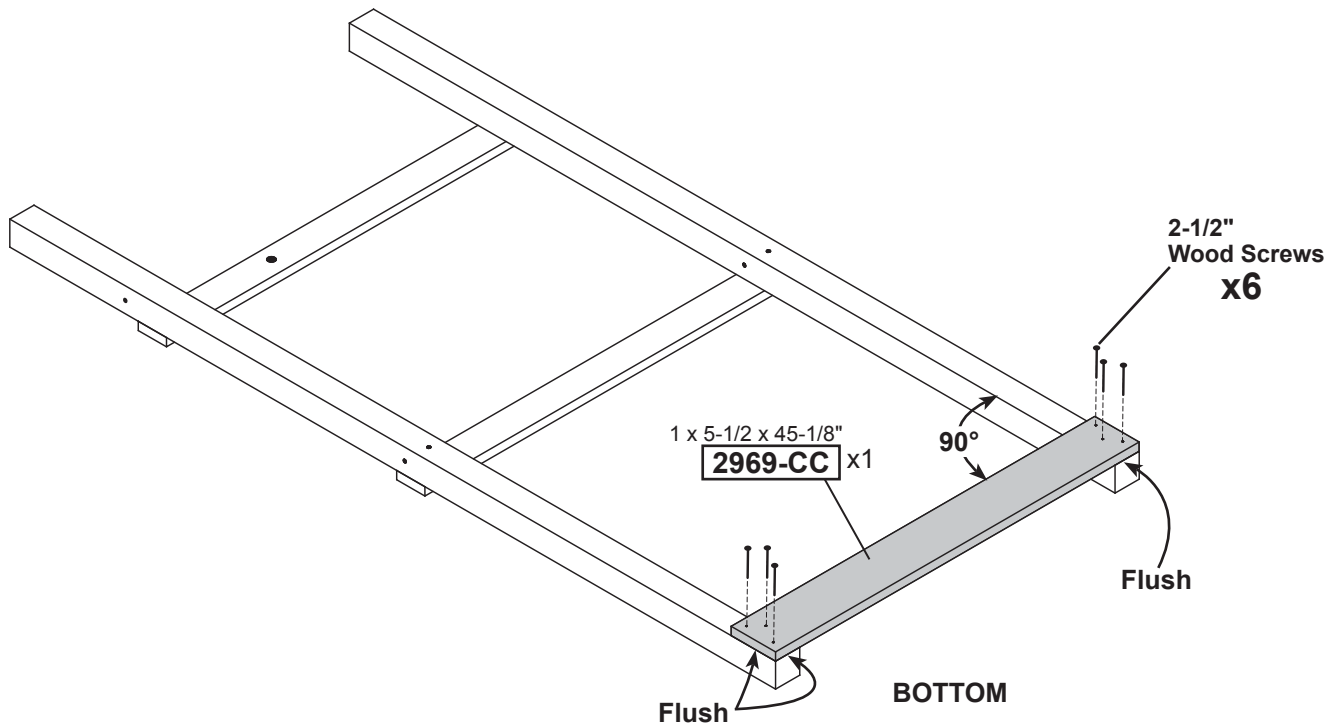
# CORNER POSTS



# FORT

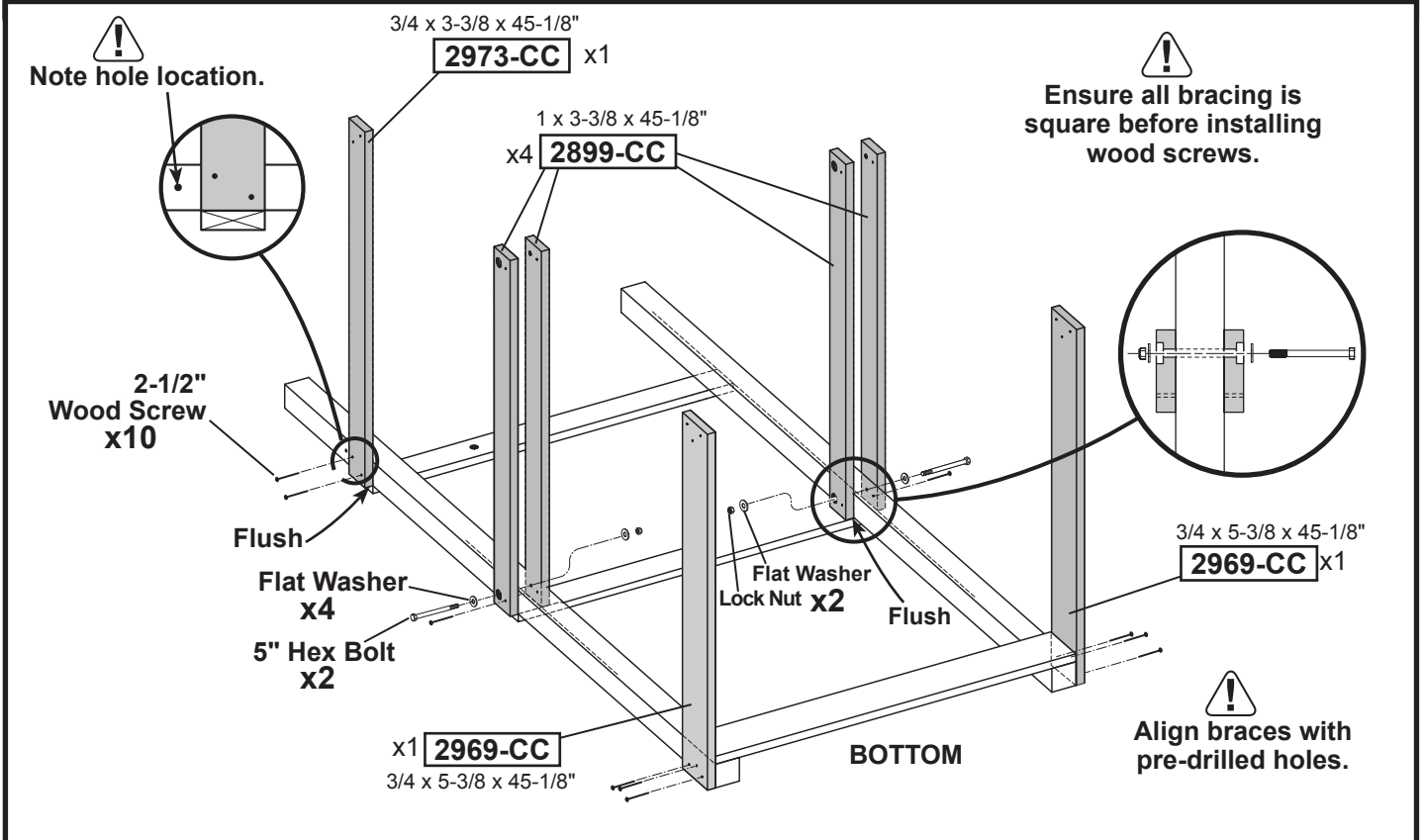
# BOTTOM FRAME BRACE

FLIP ASSEMBLY OVER TO INSTALL BOTTOM BRACE.



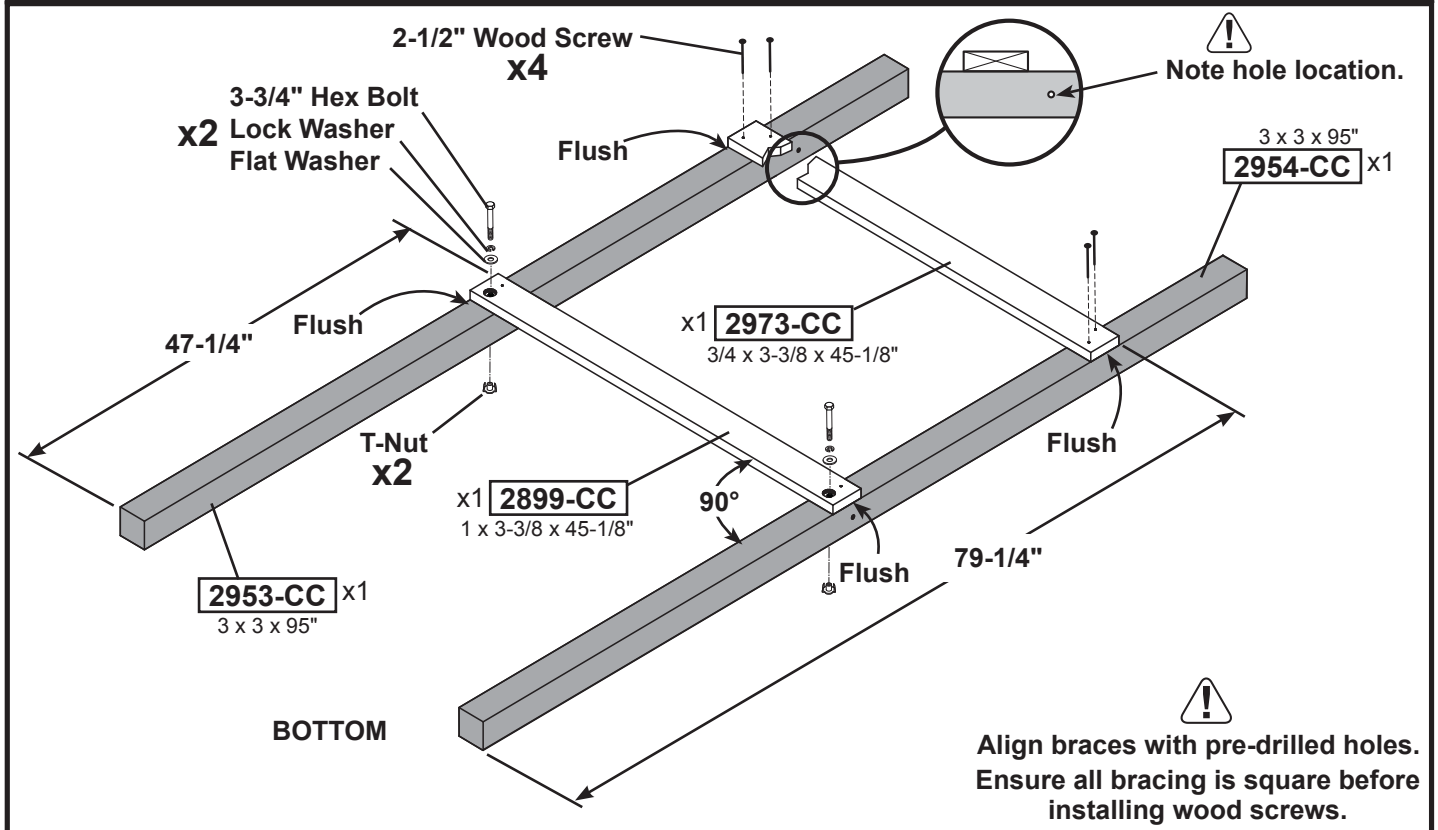
# FORT

# FRAME BRACING



# FORT

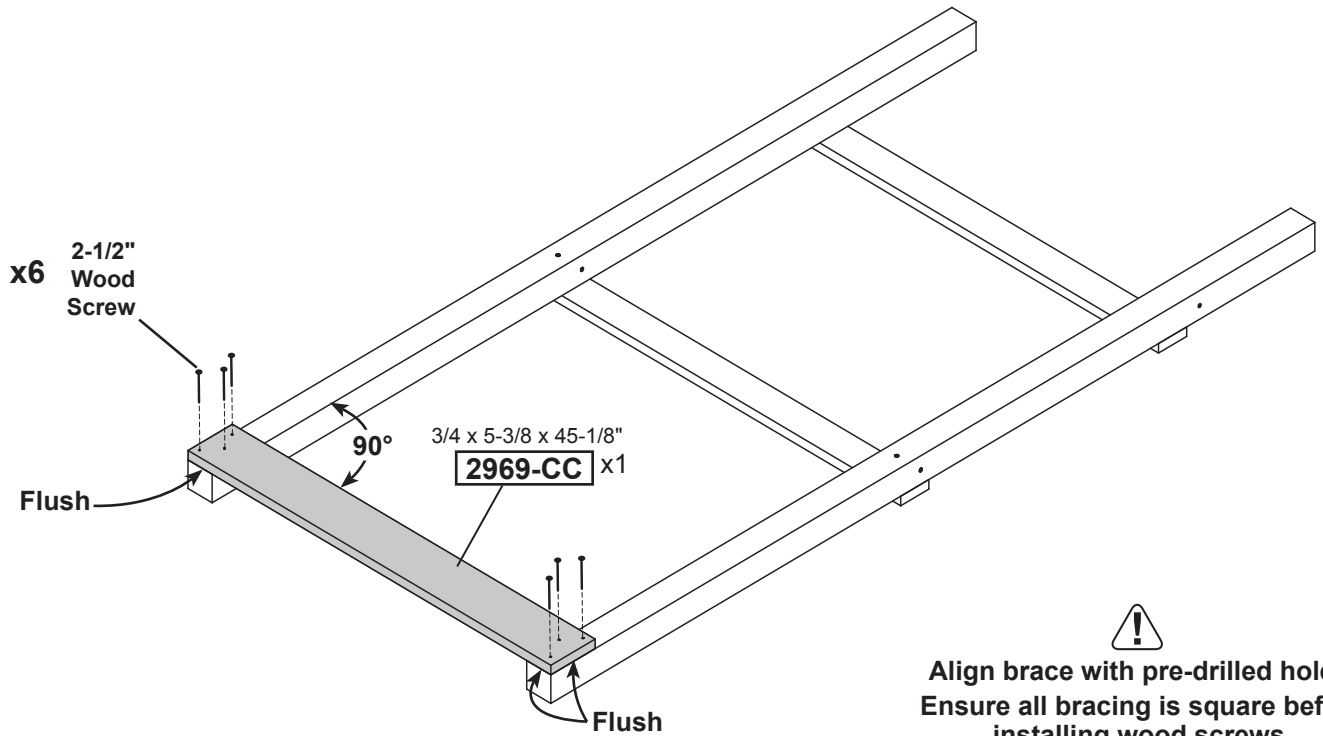
# FRAME BRACING



# FORT

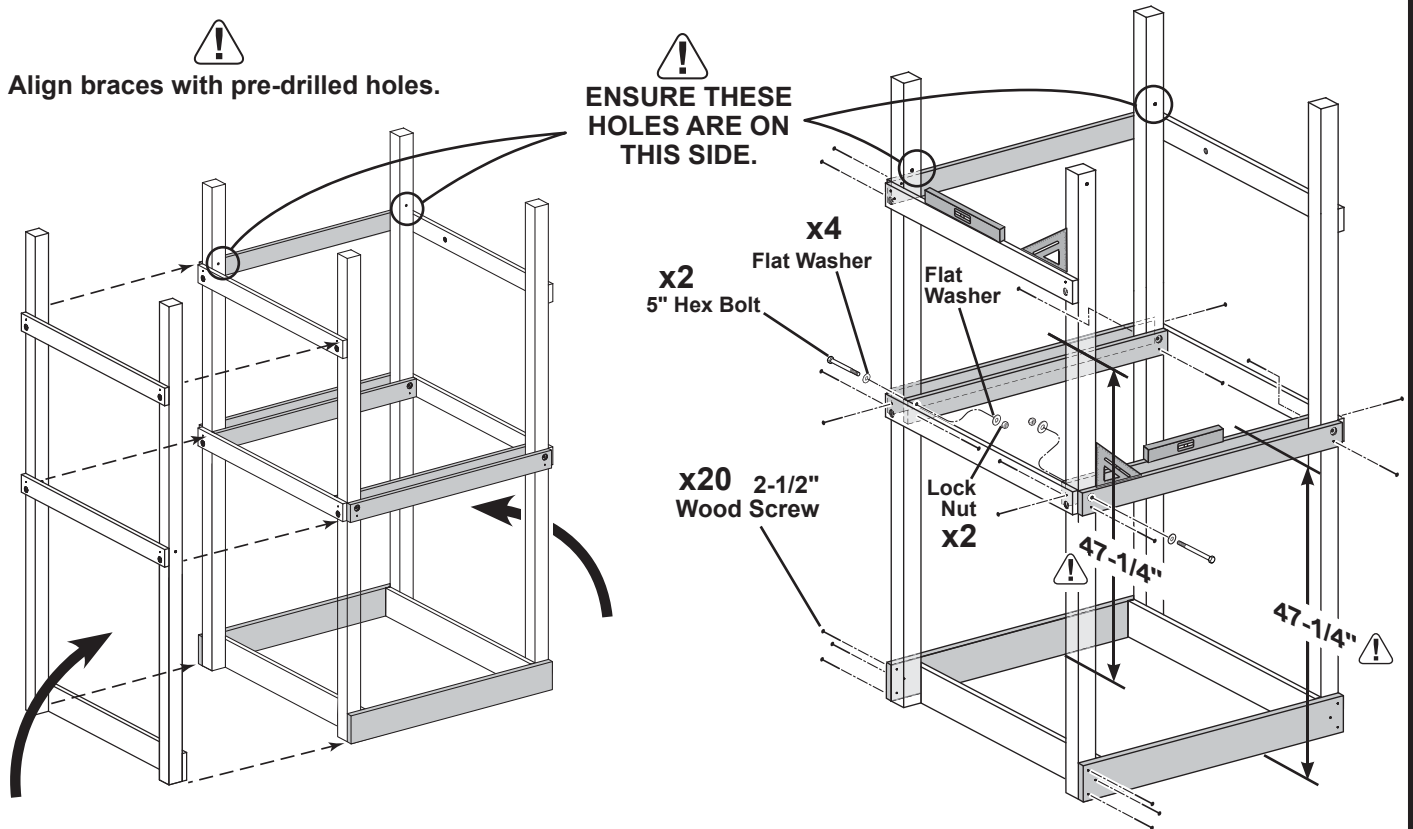
# BOTTOM FRAME BRACE

FLIP ASSEMBLY OVER TO INSTALL BOTTOM BRACE.



# FORT

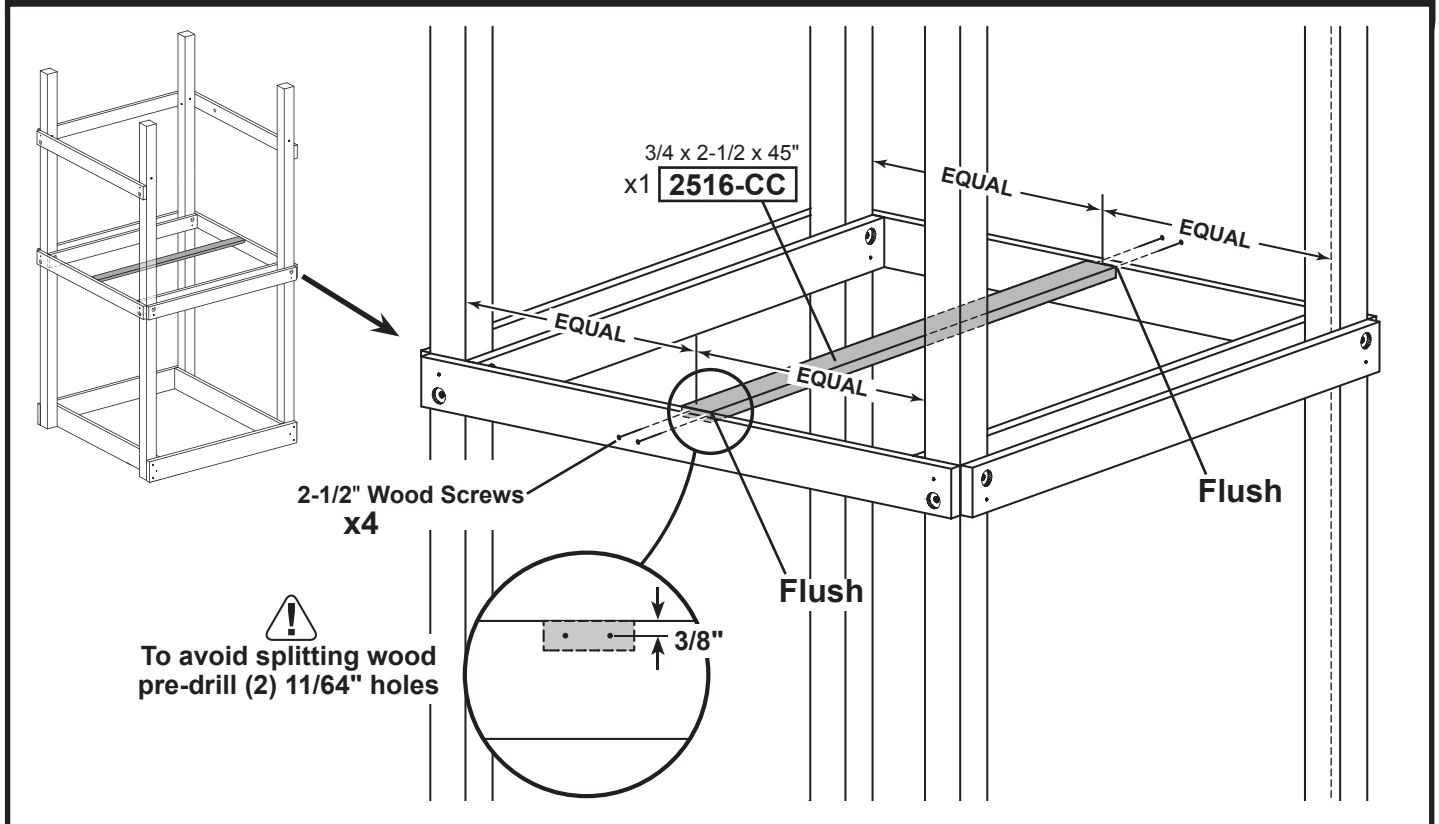
# CONNECT FRAME SECTIONS





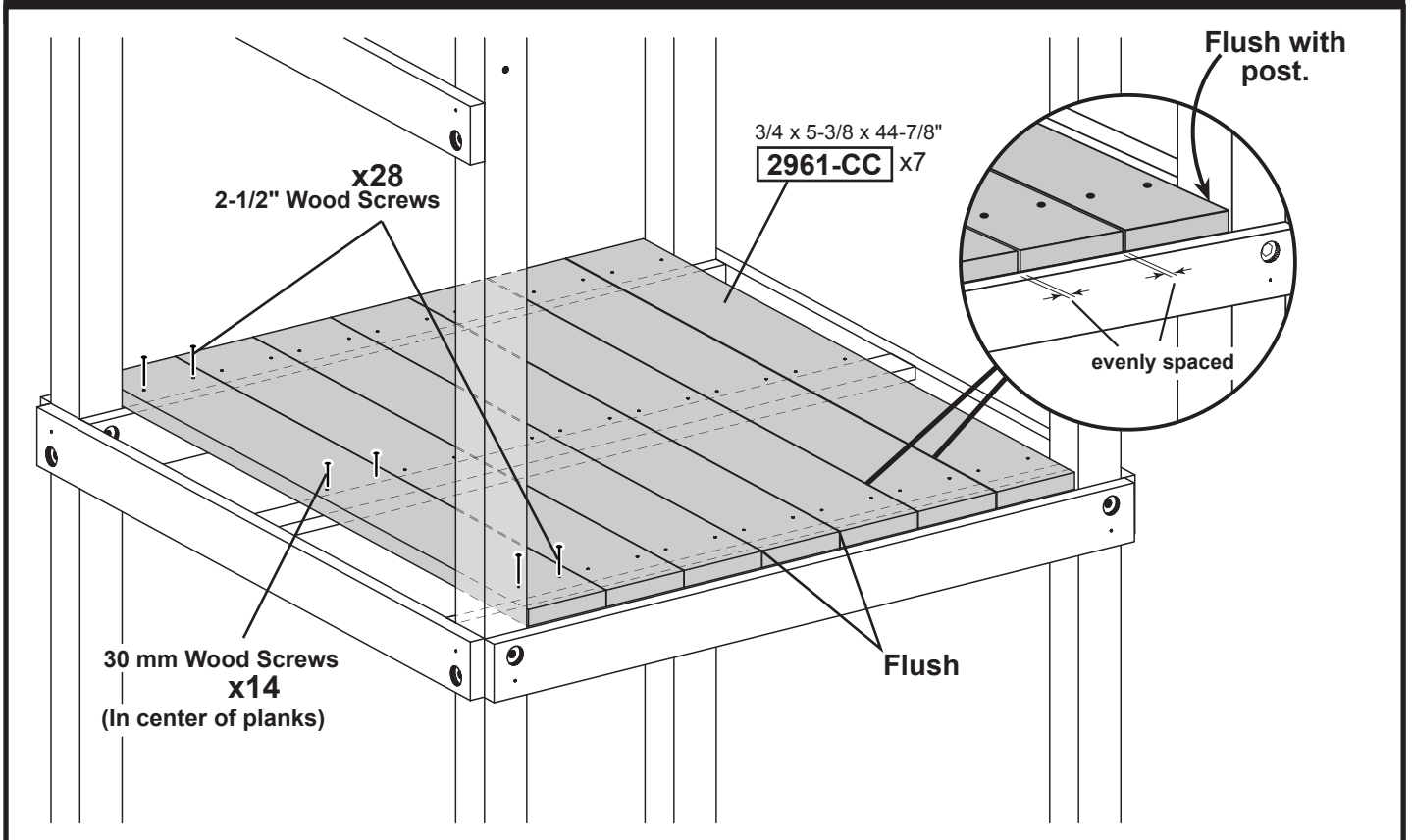
# FORT

# DECK CLEAT



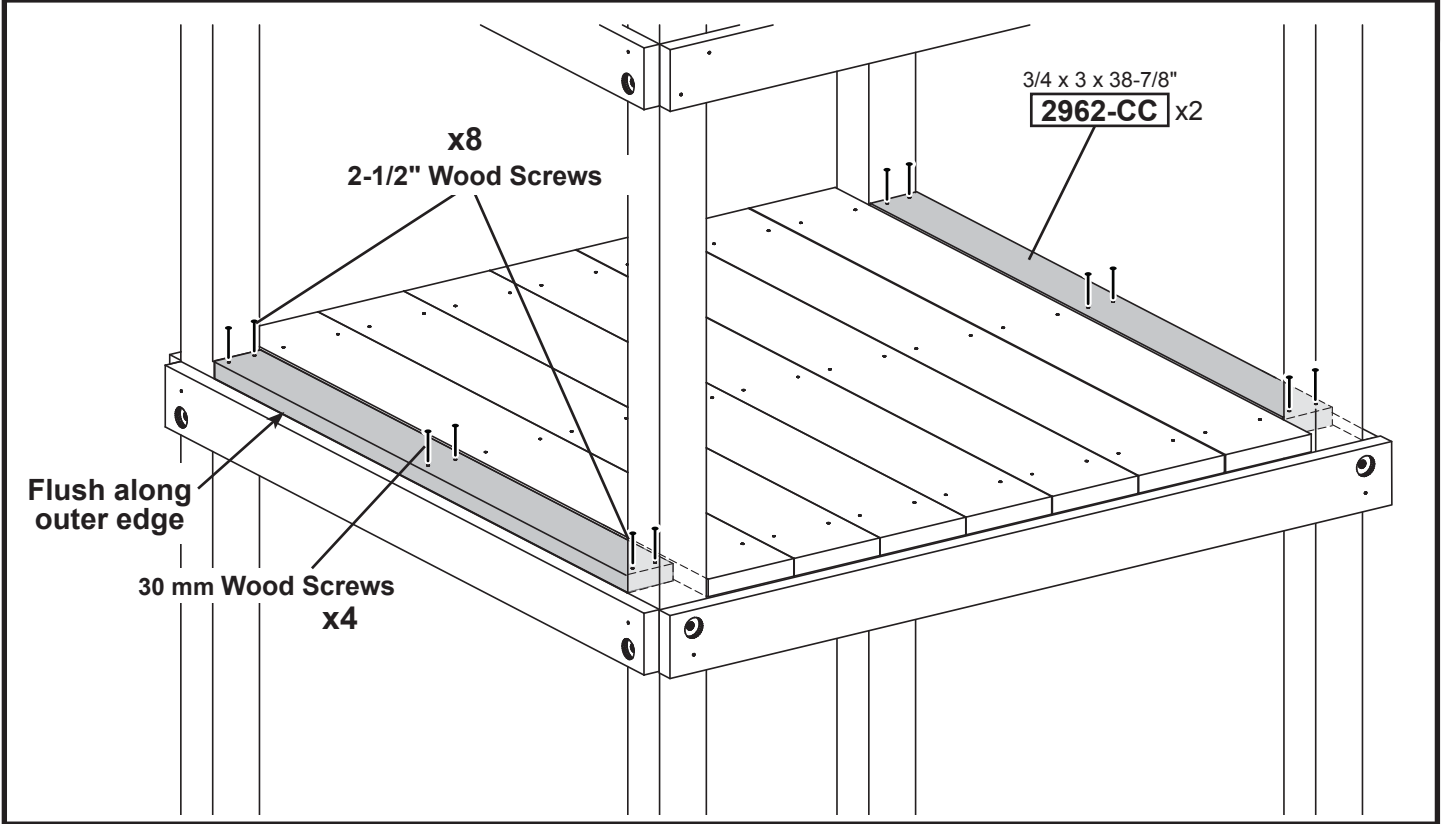
# FORT

# DECK PLANKS



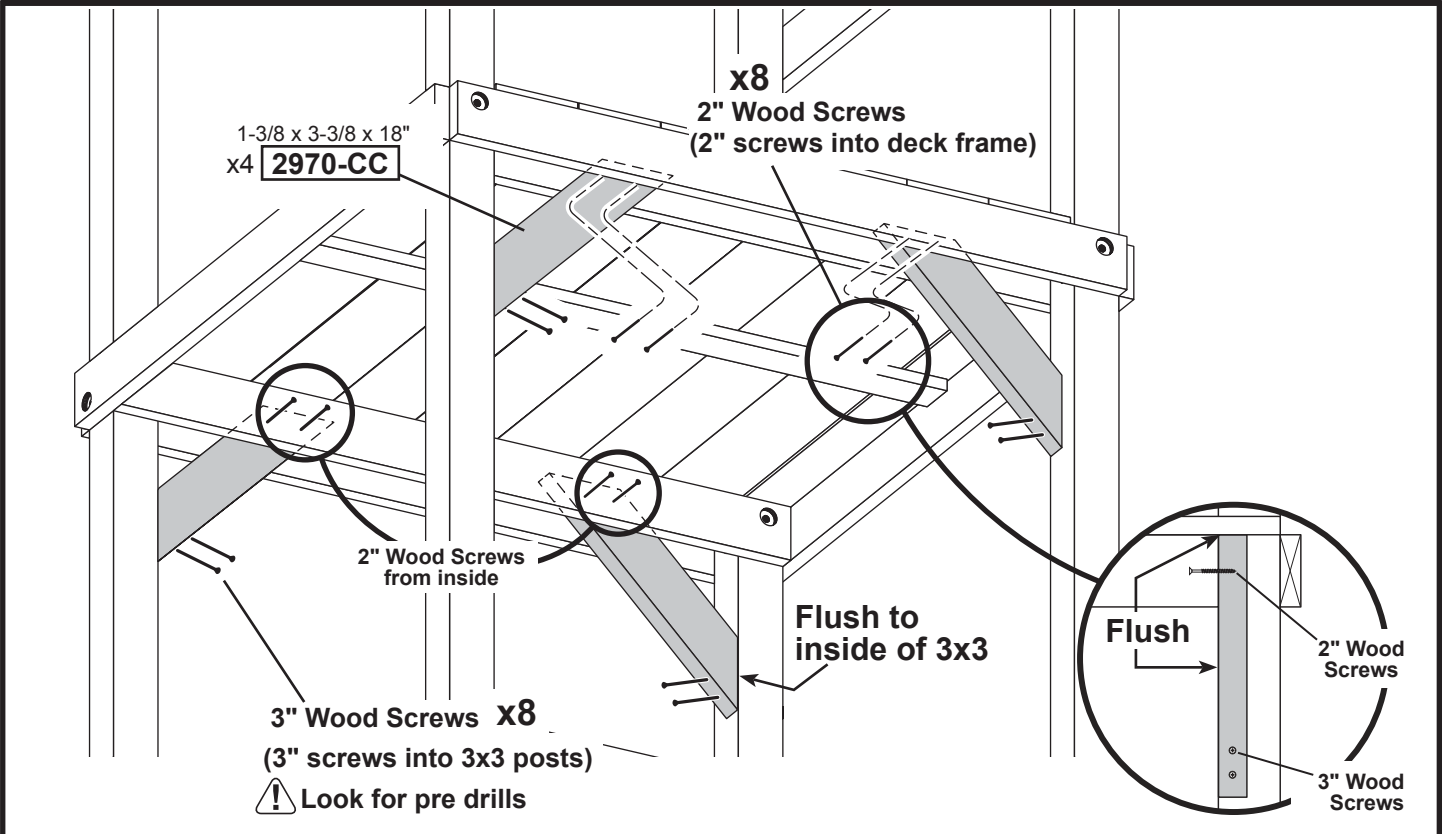
# FORT

# DECK PLANKS



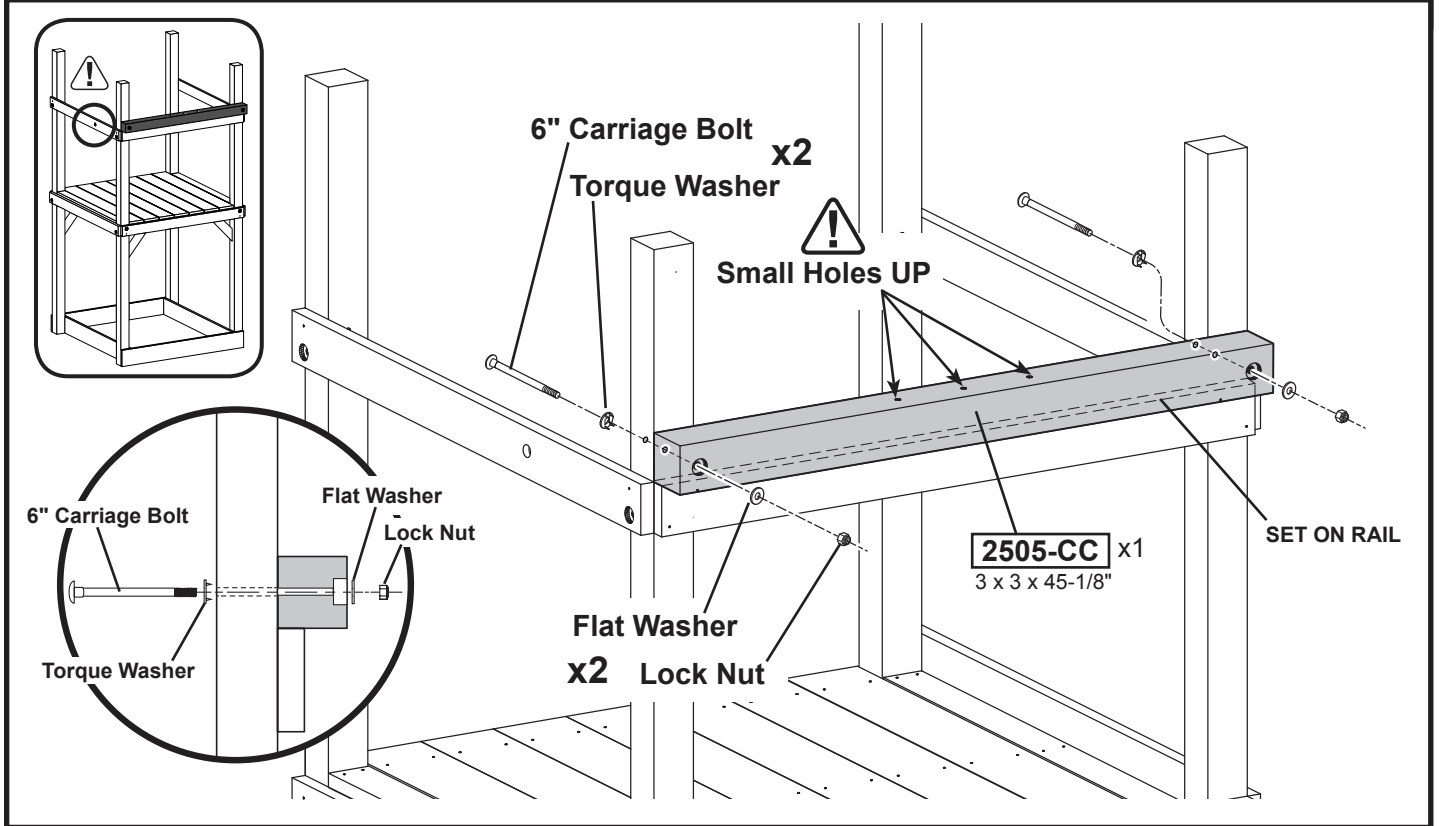
# FORT

# DECK SUPPORT



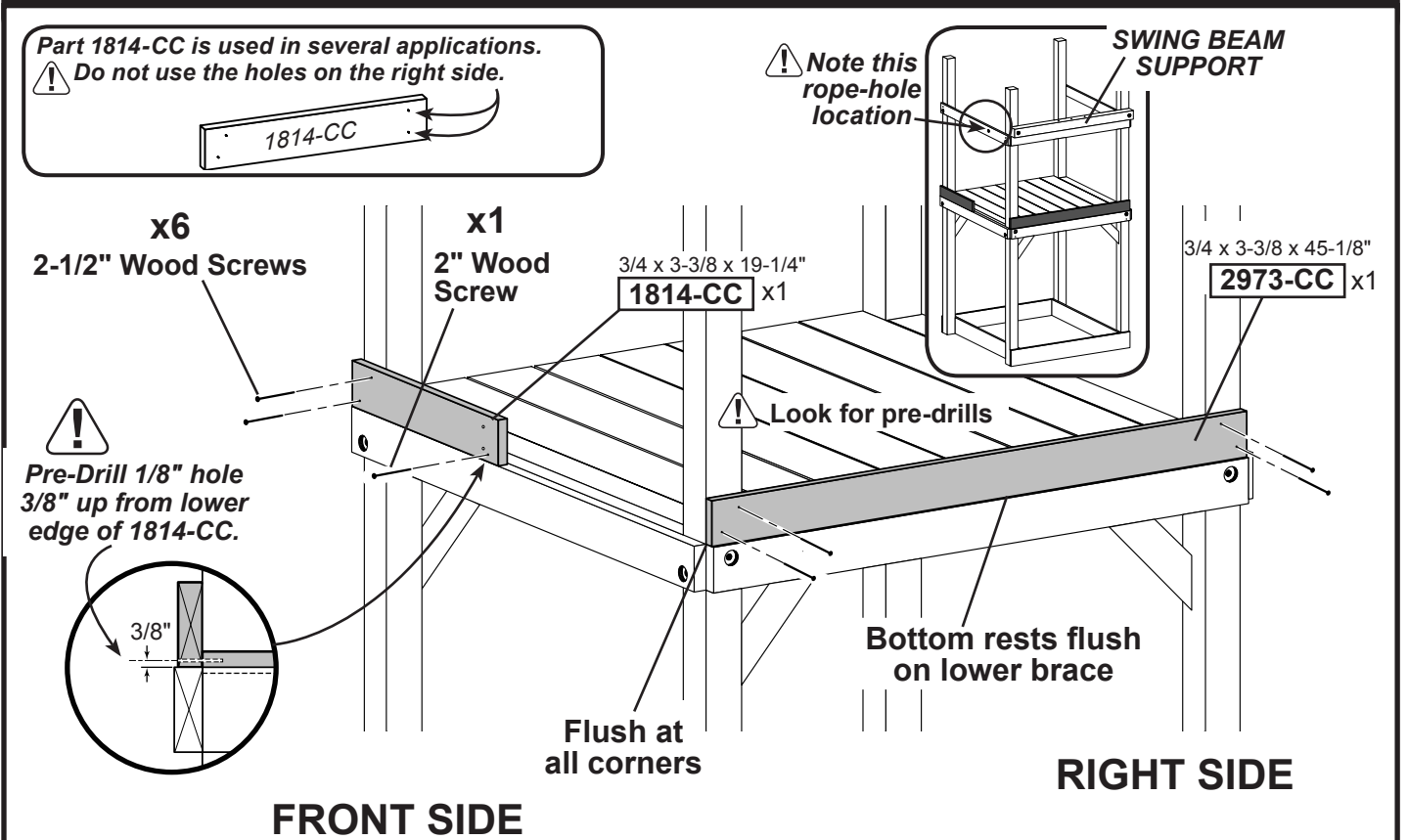
# FORT

# SWING BEAM SUPPORT



# FORT

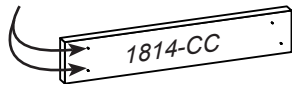
# BALUSTER SUPPORTS



# FORT

# BALUSTER SUPPORT

Part 1814-CC is used in several applications.  
Do not use the holes on the left side.



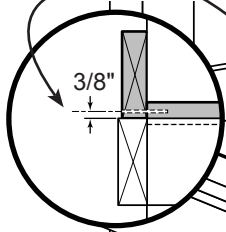
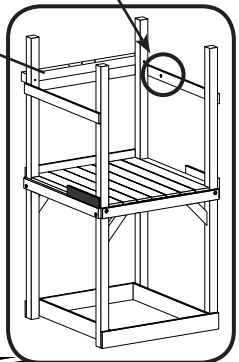
Note this rope-hole location



Pre-Drill 1/8" hole 3/8" up from lower edge of 1814-CC.

3/4 x 3-3/8 x 19-1/4"  
x1 **1814-CC**

SWING BEAM SUPPORT



Flush

LEFT SIDE

x1  
2" Wood Screw

Bottom rests flush on lower brace.

2-1/2" Wood Screw  
x2

BACK SIDE

# FORT

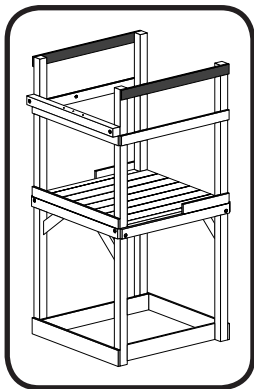
# UPPER BRACES

2-1/2" Wood Screw  
x8

3/4 x 3-3/8 x 45-1/8"  
**1812-CC** x2

Flush

Flush



# FORT

# AUX. FLOOR SUPPORT

2-1/2" Wood Screw  
x4

x1 **2973-CC**  
3/4 x 3-3/8 x 45-1/8"

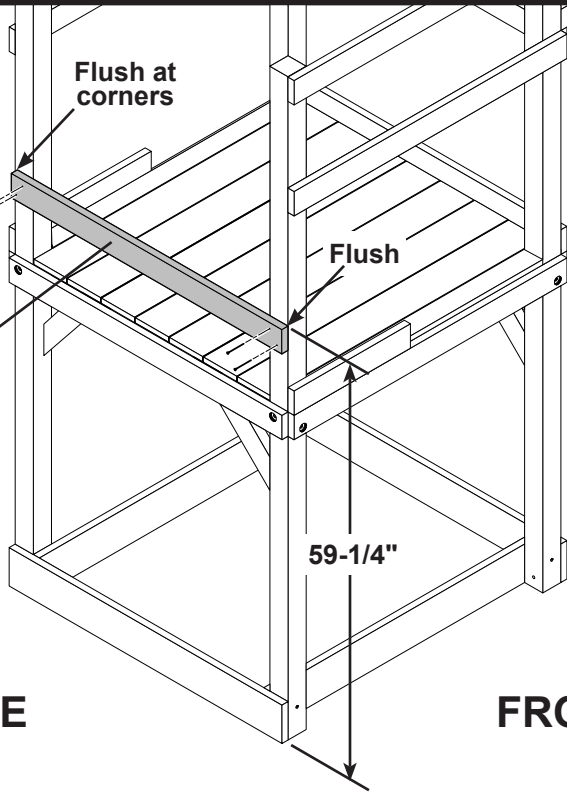
Flush at  
corners

Flush

59-1/4"

LEFT SIDE

FRONT SIDE



# FORT

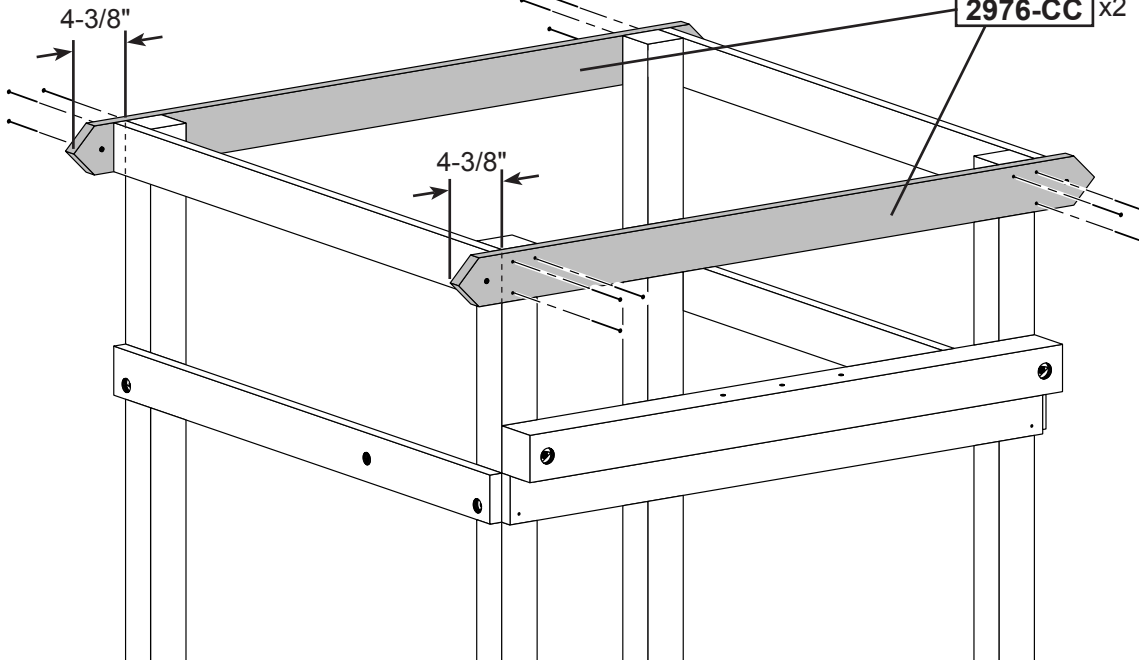
# ROOF SUPPORT

2-1/2" Wood Screws  
x12

3/4 x 3-3/8 x 53-7/8"  
**2976-CC** x2


4-3/8"

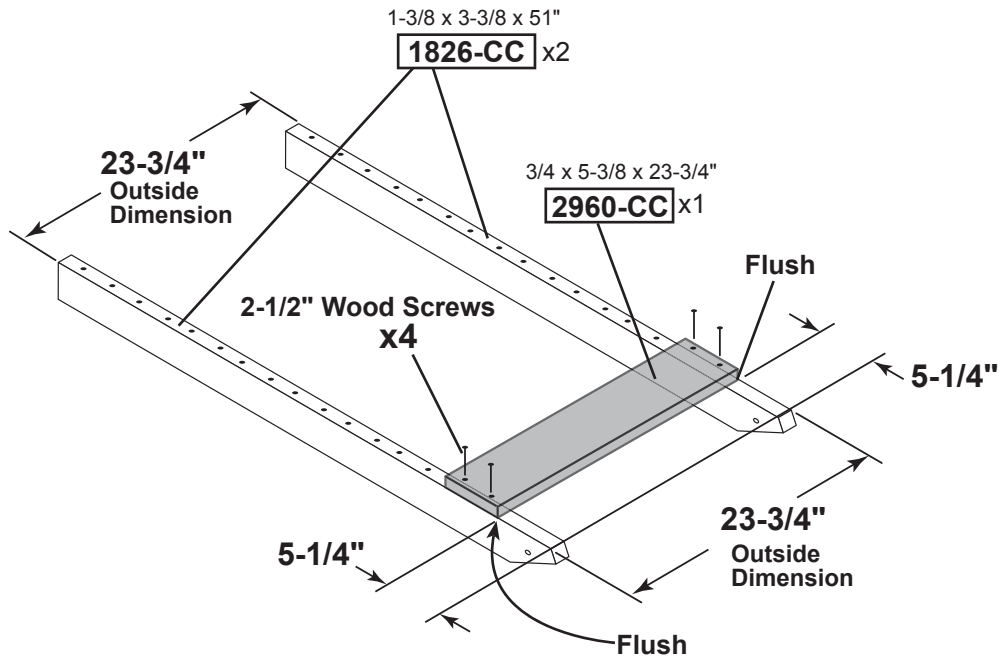
4-3/8"



# ROCK WALL

# ASSEMBLE

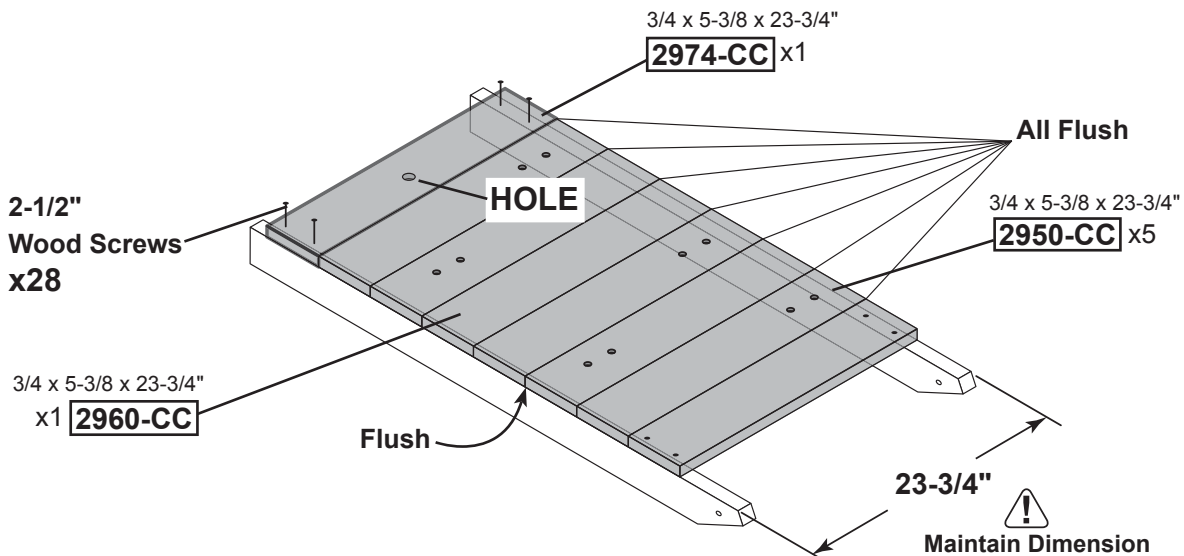
 Rail (1826-CC) may have full or partially pre-drilled holes. Align screws with the pre-drilled holes in rails (1826-CC).



# ROCK WALL

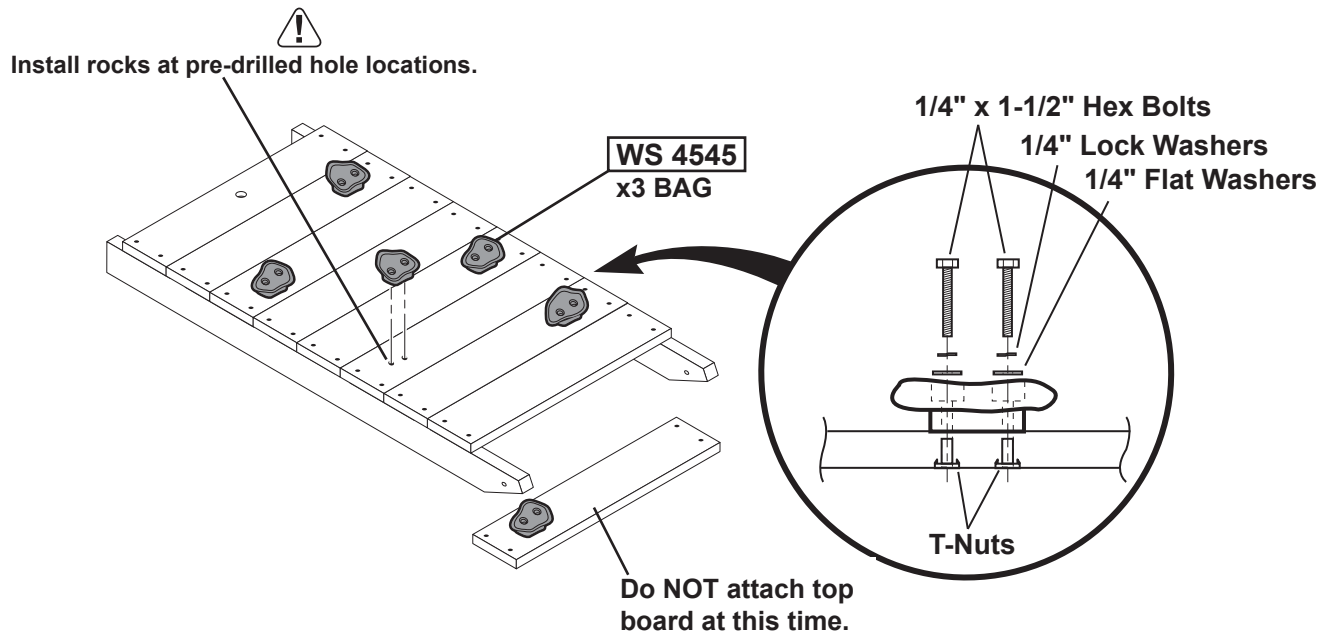
# ASSEMBLE

Place planks onto rails (1826-CC) as shown.  
 If rails are fully pre-drilled, align all planks and screws with pre-drills.  
 If rails are not pre-drilled, install planks flush to each other.  
 Secure planks using 2-1/2" wood screws.



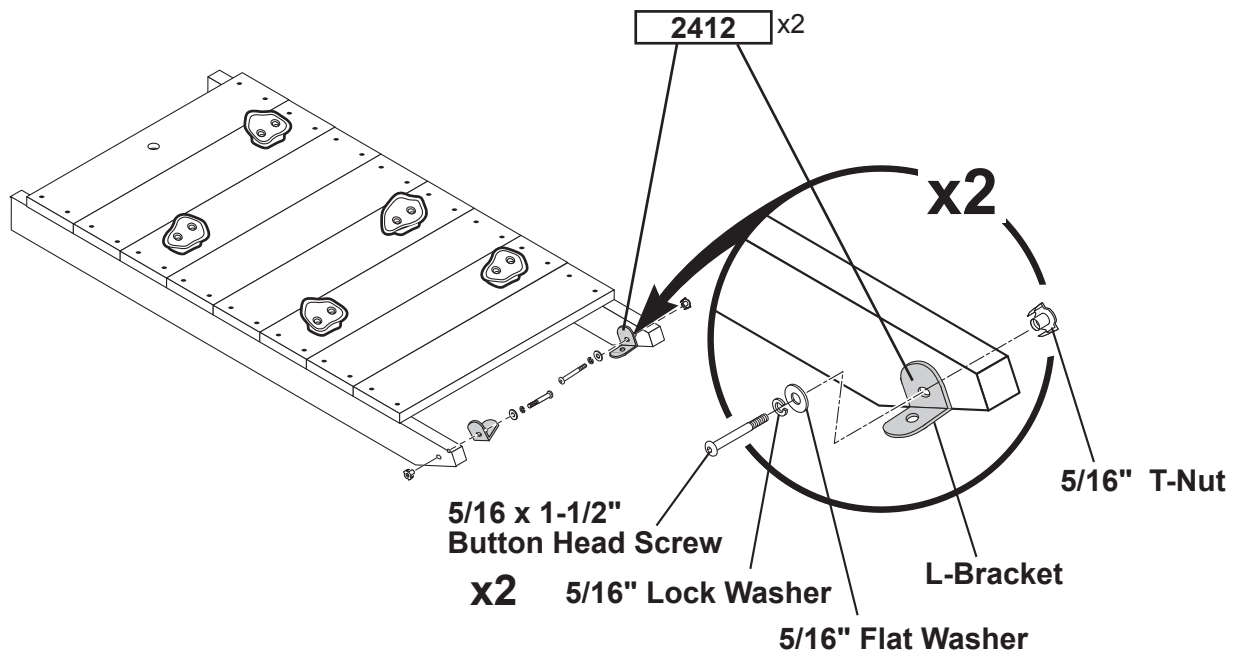
# ROCK WALL

# ROCKS



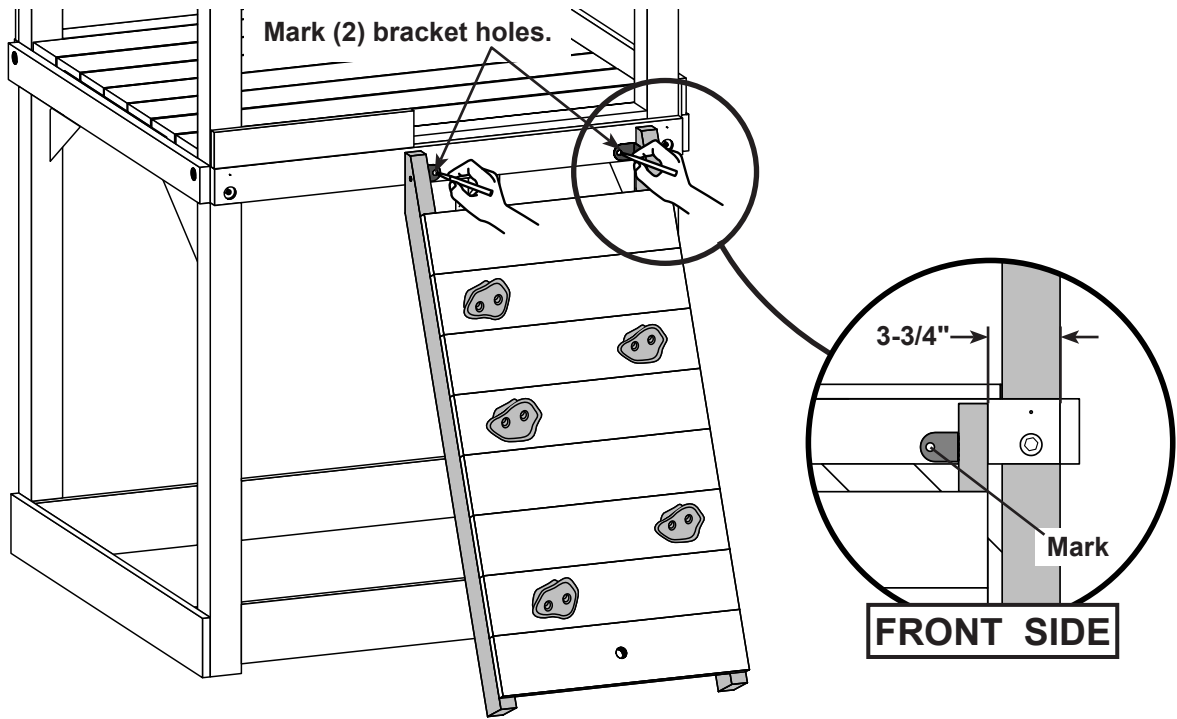
# ROCK WALL

# BRACKETS



# ROCK WALL

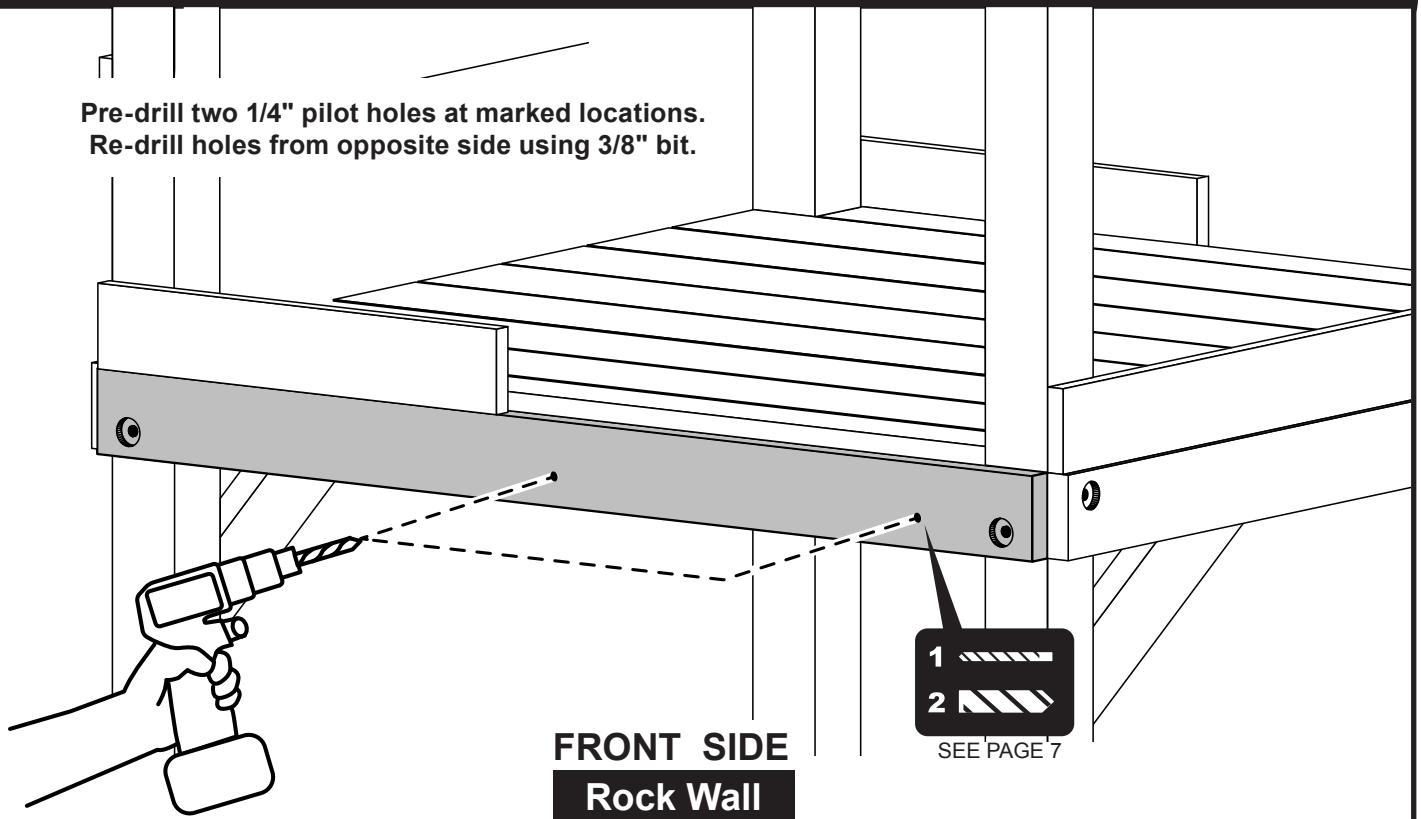
# INSTALL



# ROCK WALL

# INSTALL

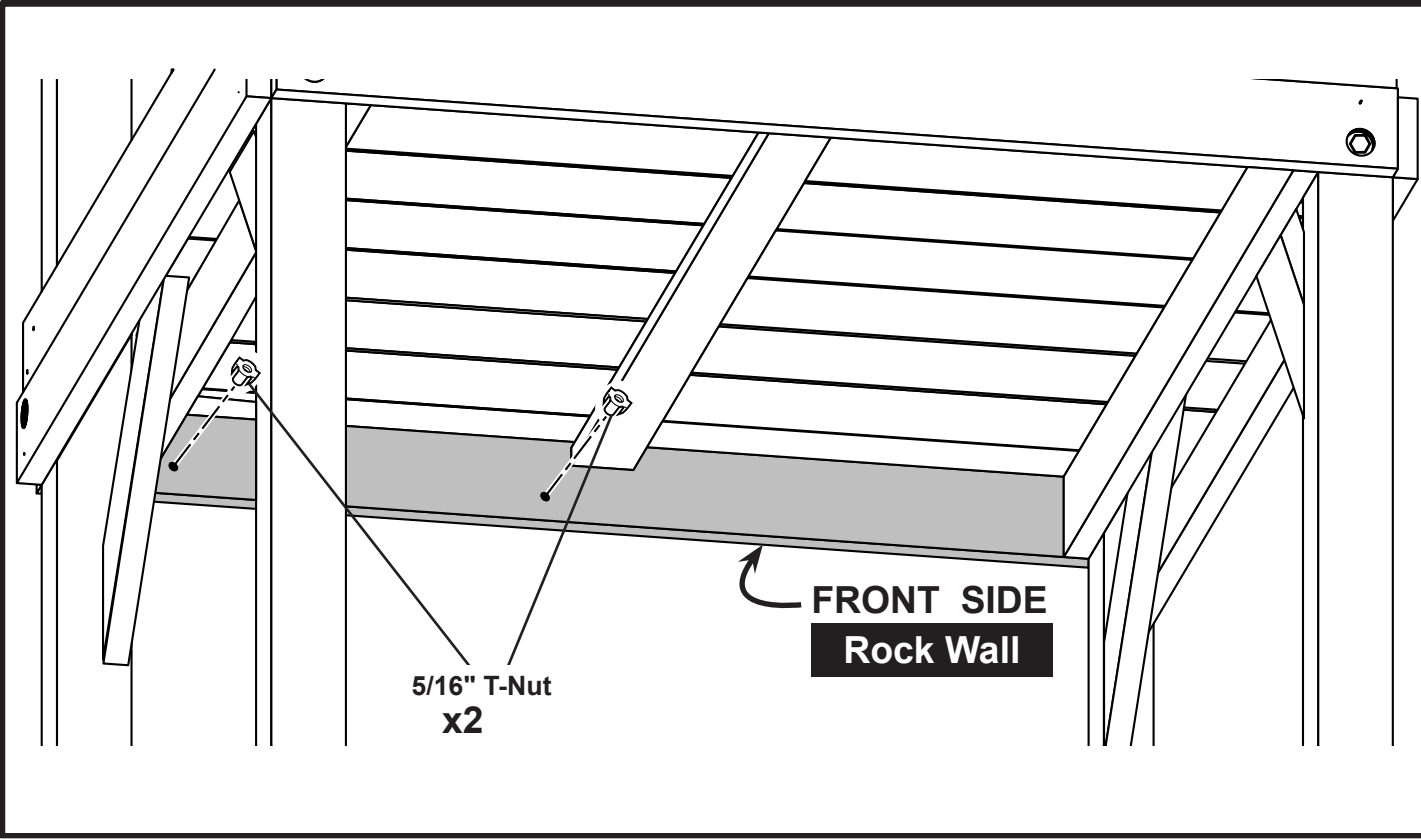
Pre-drill two 1/4" pilot holes at marked locations.  
Re-drill holes from opposite side using 3/8" bit.





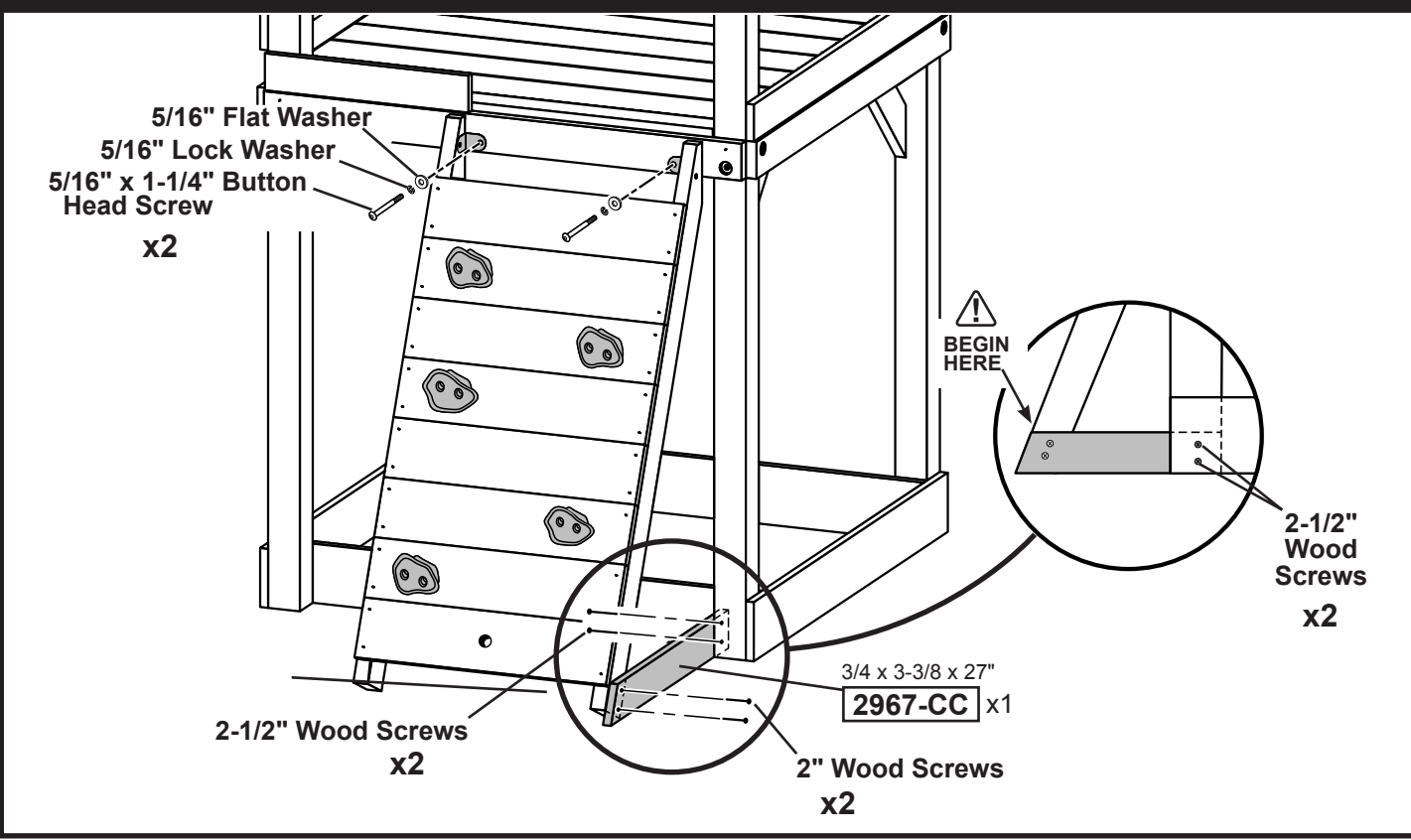
# ROCK WALL

# INSTALL



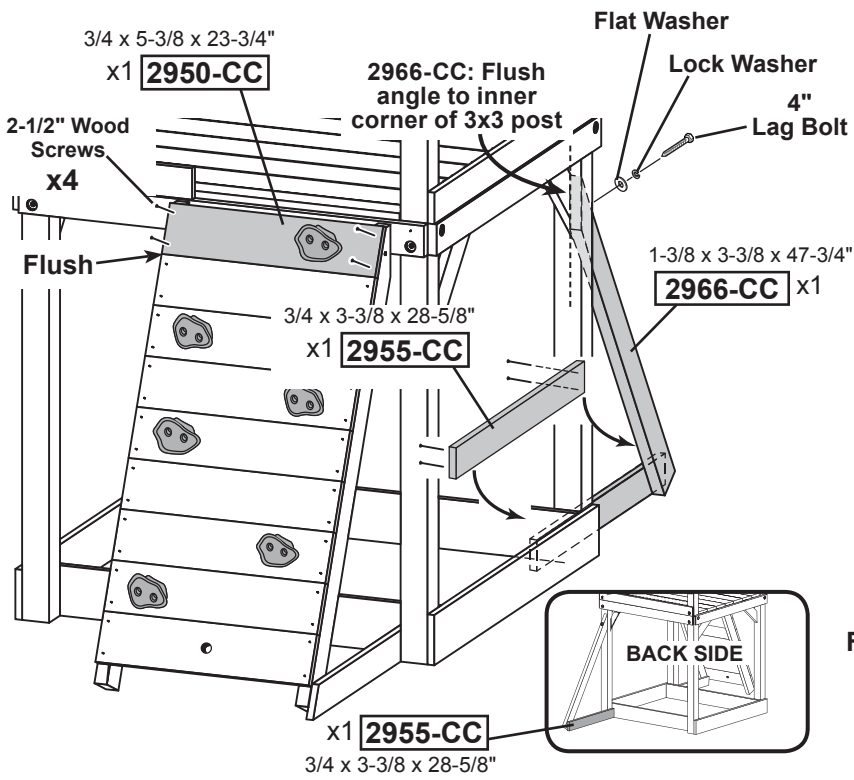
# ROCK WALL

# INSTALL

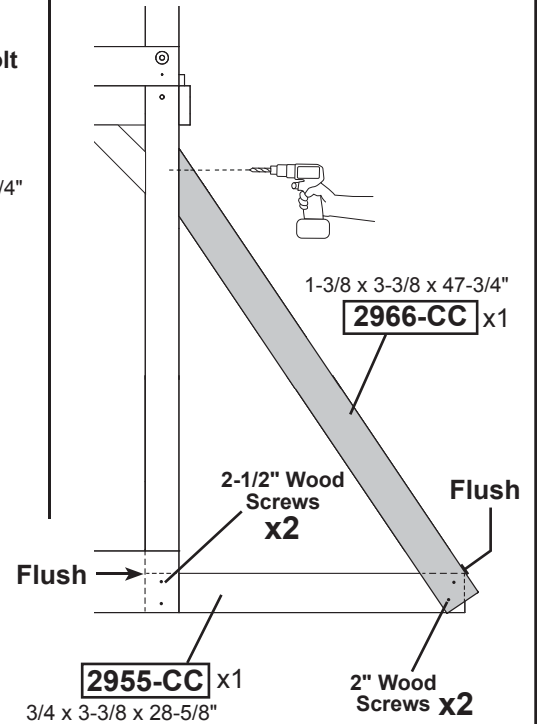


# ANGLE BRACE

# INSTALL



**Pre drill 3/16" pilot hole 2" deep for 4" lag bolt.**



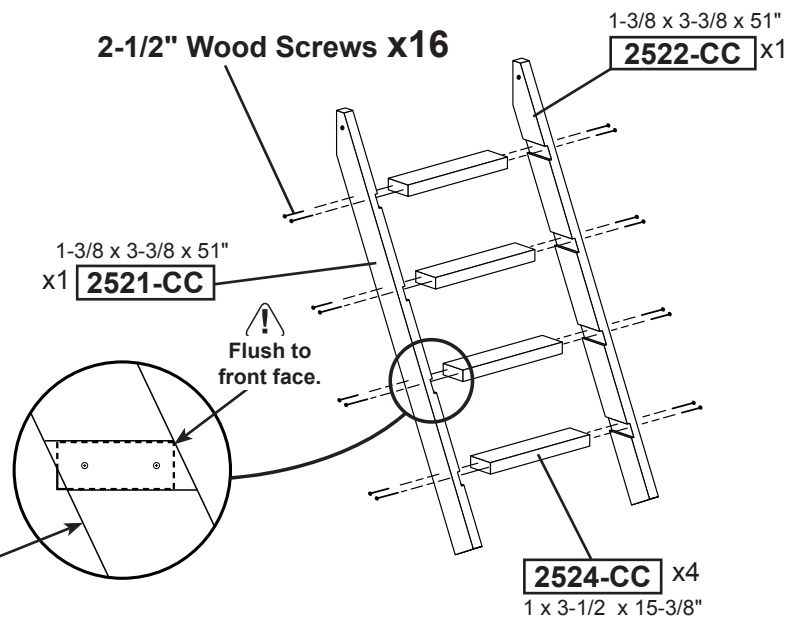
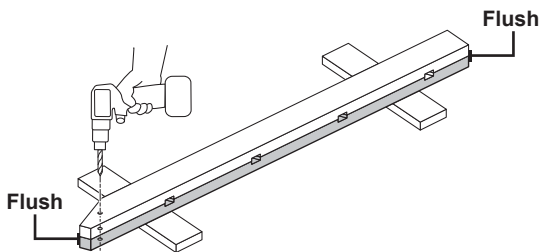
# STEP LADDER

# ASSEMBLE

### Before Assembling Step Ladder:

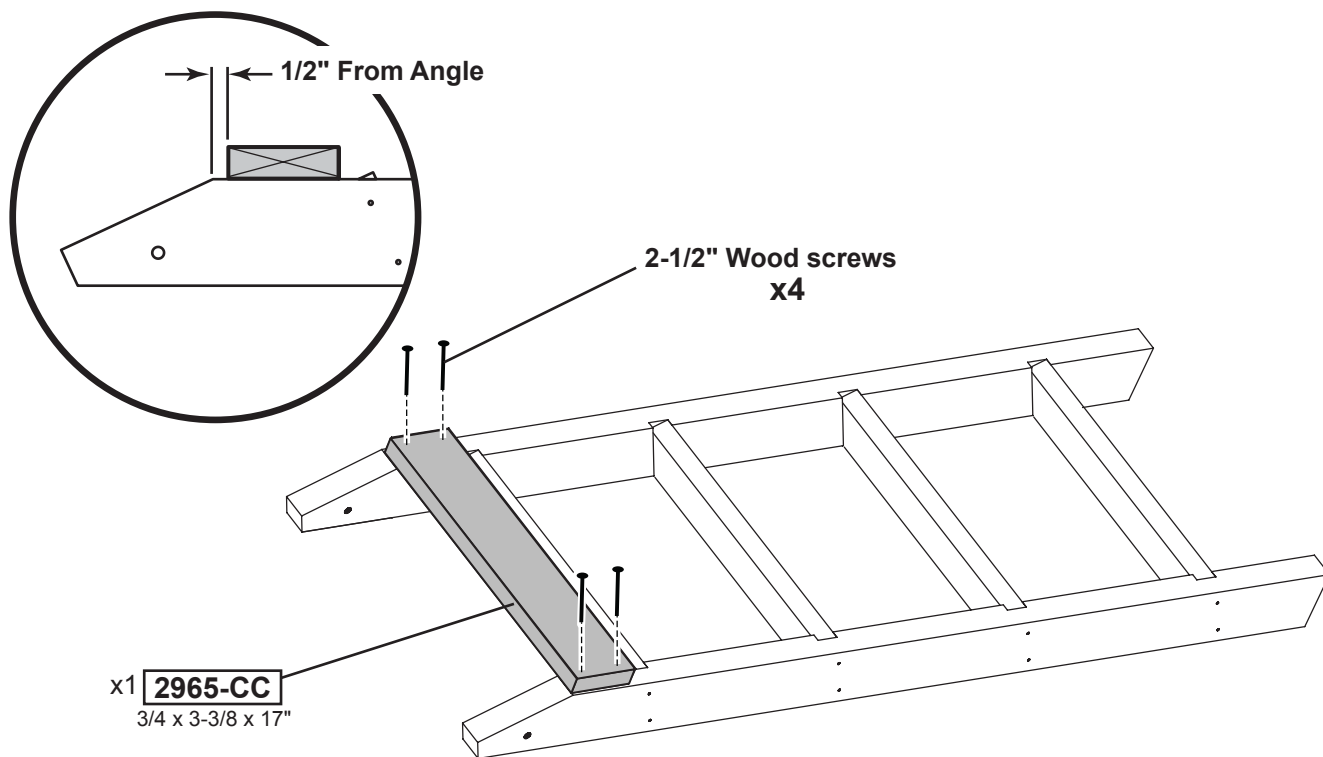
**!** If 2521-CC has thru-hole, skip these steps.

- Stack and align parts as shown with 2522-CC on top.
- Hold parts and drill 3/8" hole through 2521-CC using 2522-CC as a guide.
- Holes must be exactly aligned.



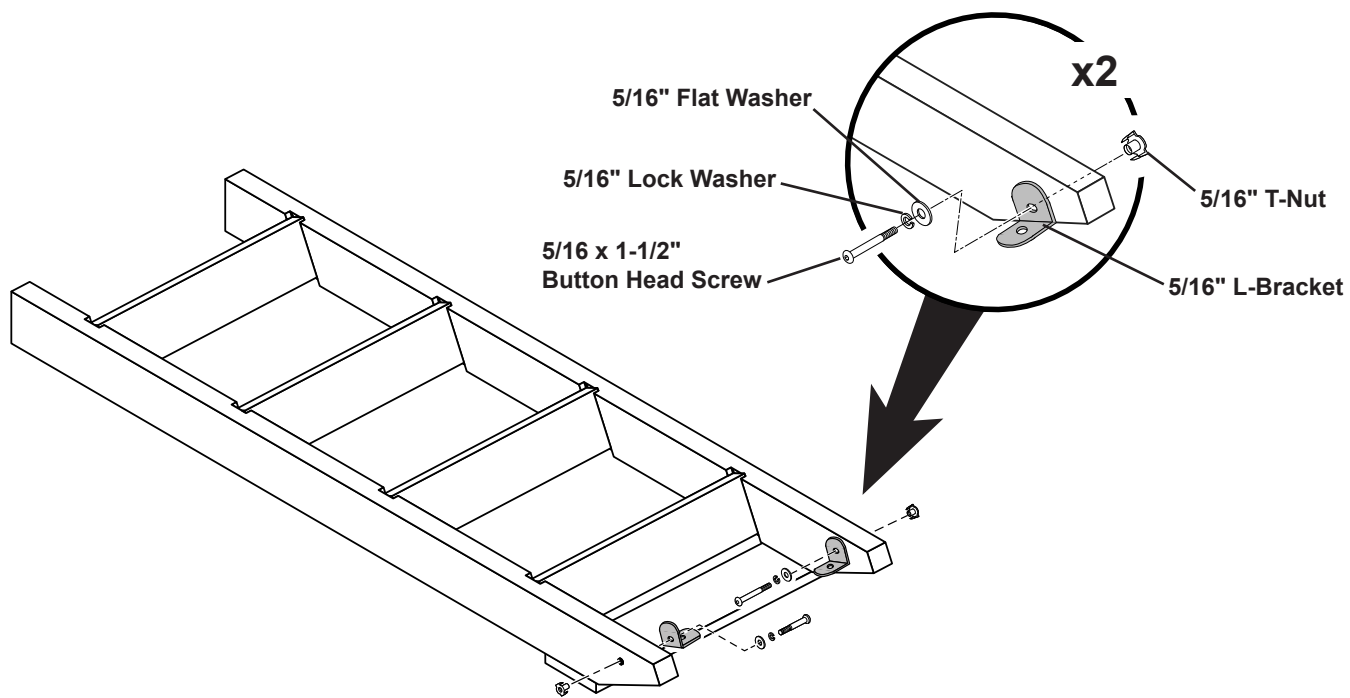
# STEP LADDER

# ASSEMBLE



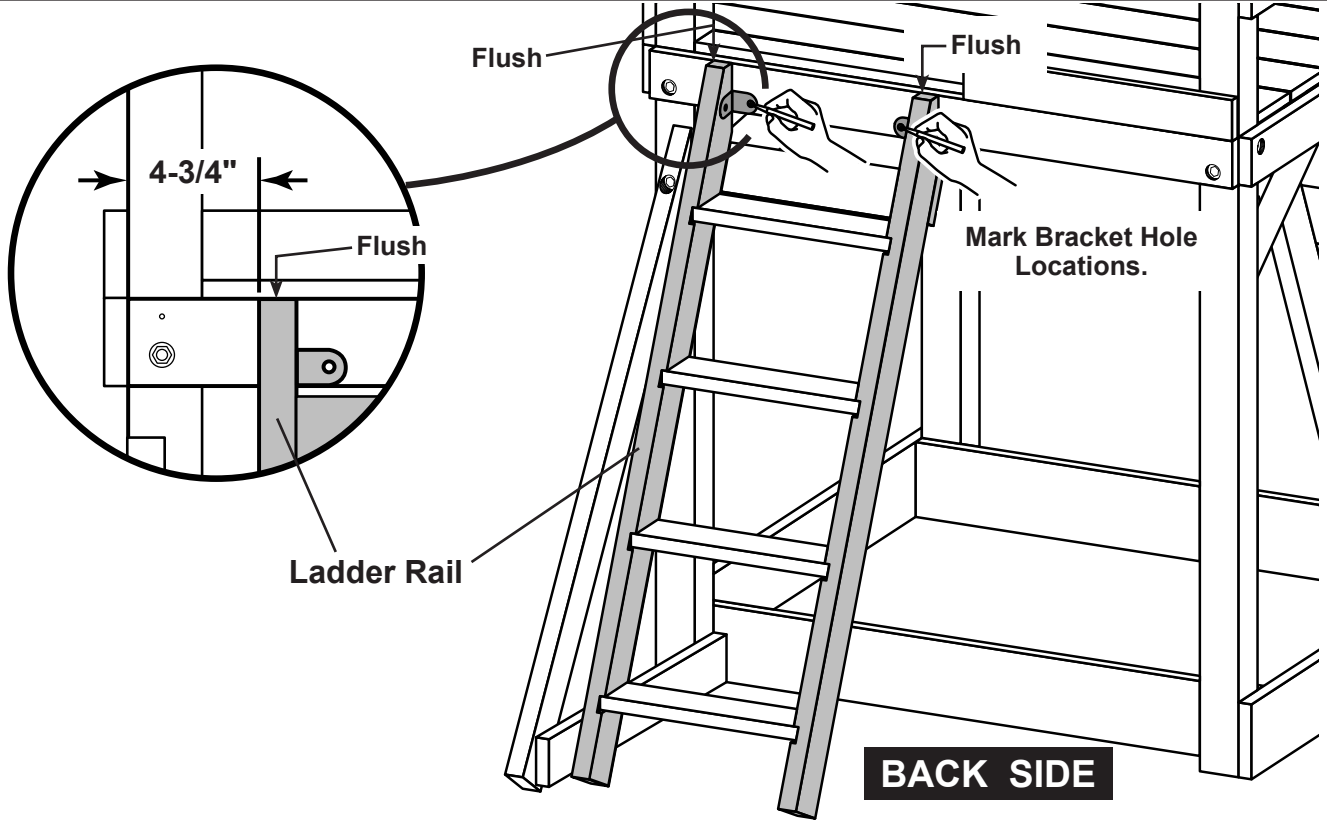
# STEP LADDER

# ASSEMBLE



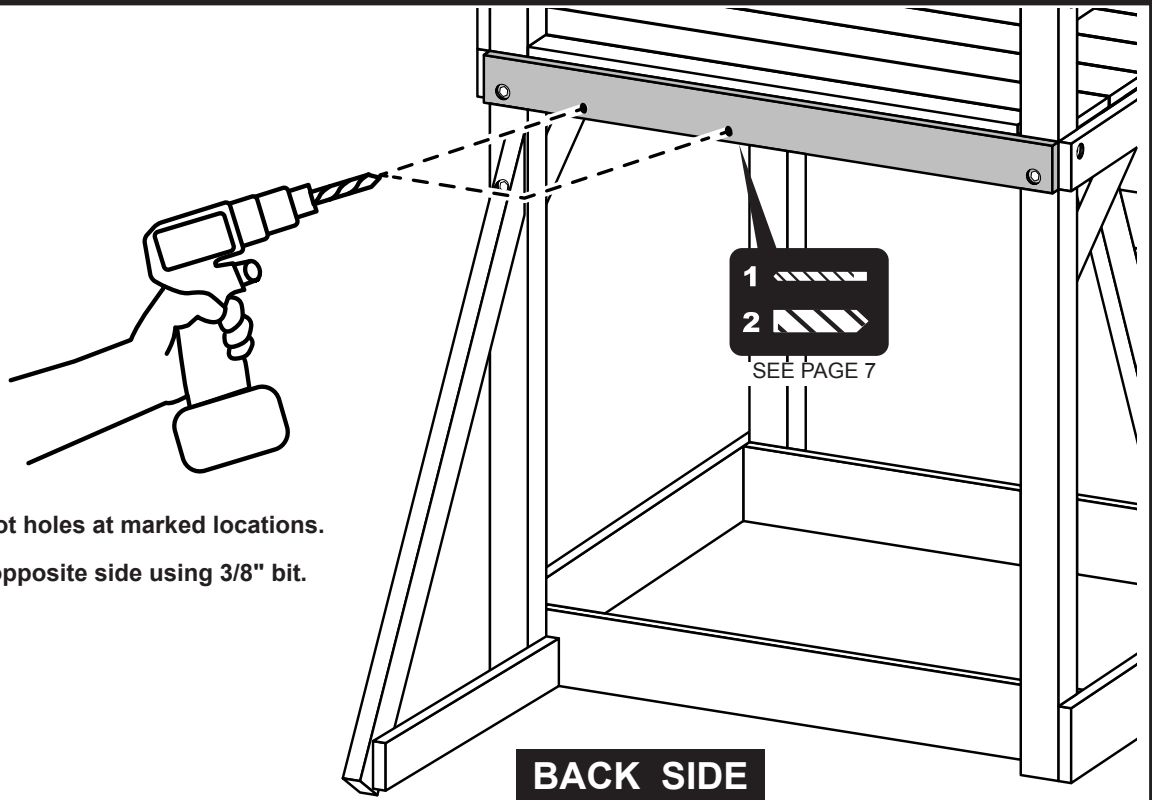
# STEP LADDER

# INSTALL



# STEP LADDER

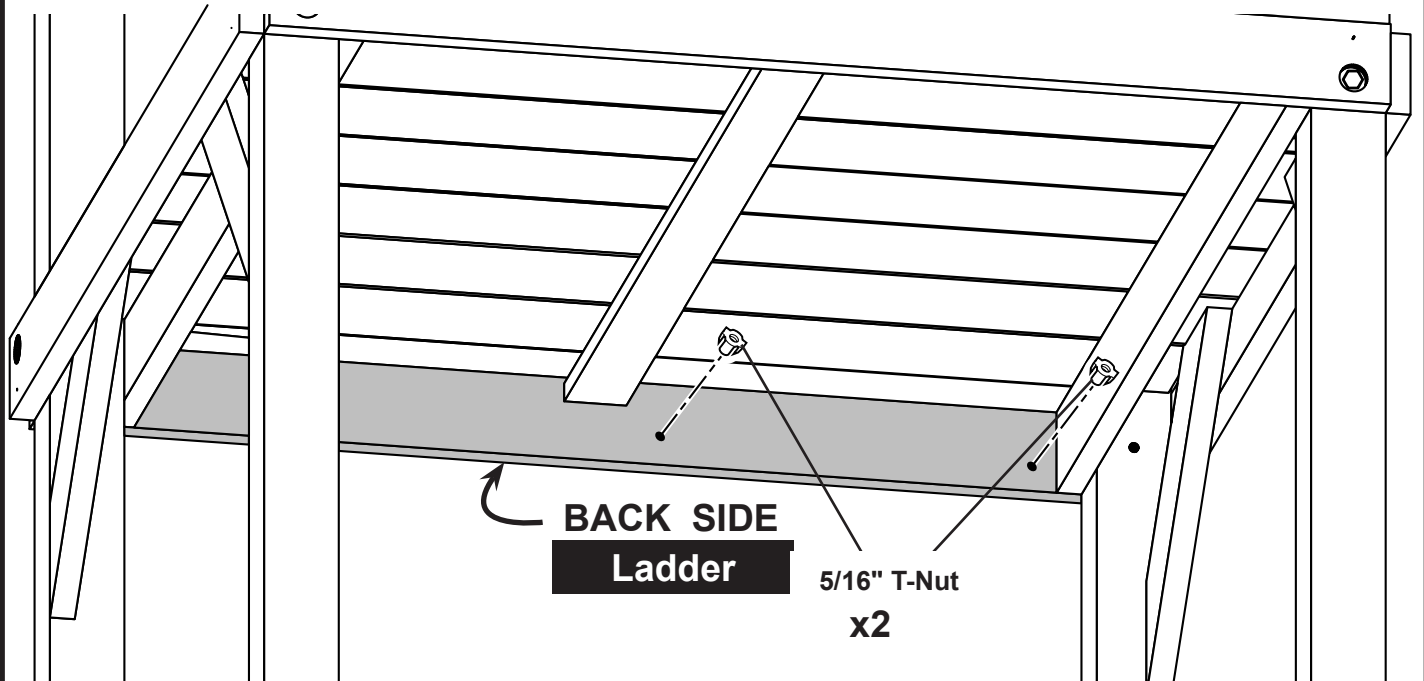
# INSTALL



Pre-drill two 1/4" pilot holes at marked locations.  
Re-drill holes from opposite side using 3/8" bit.

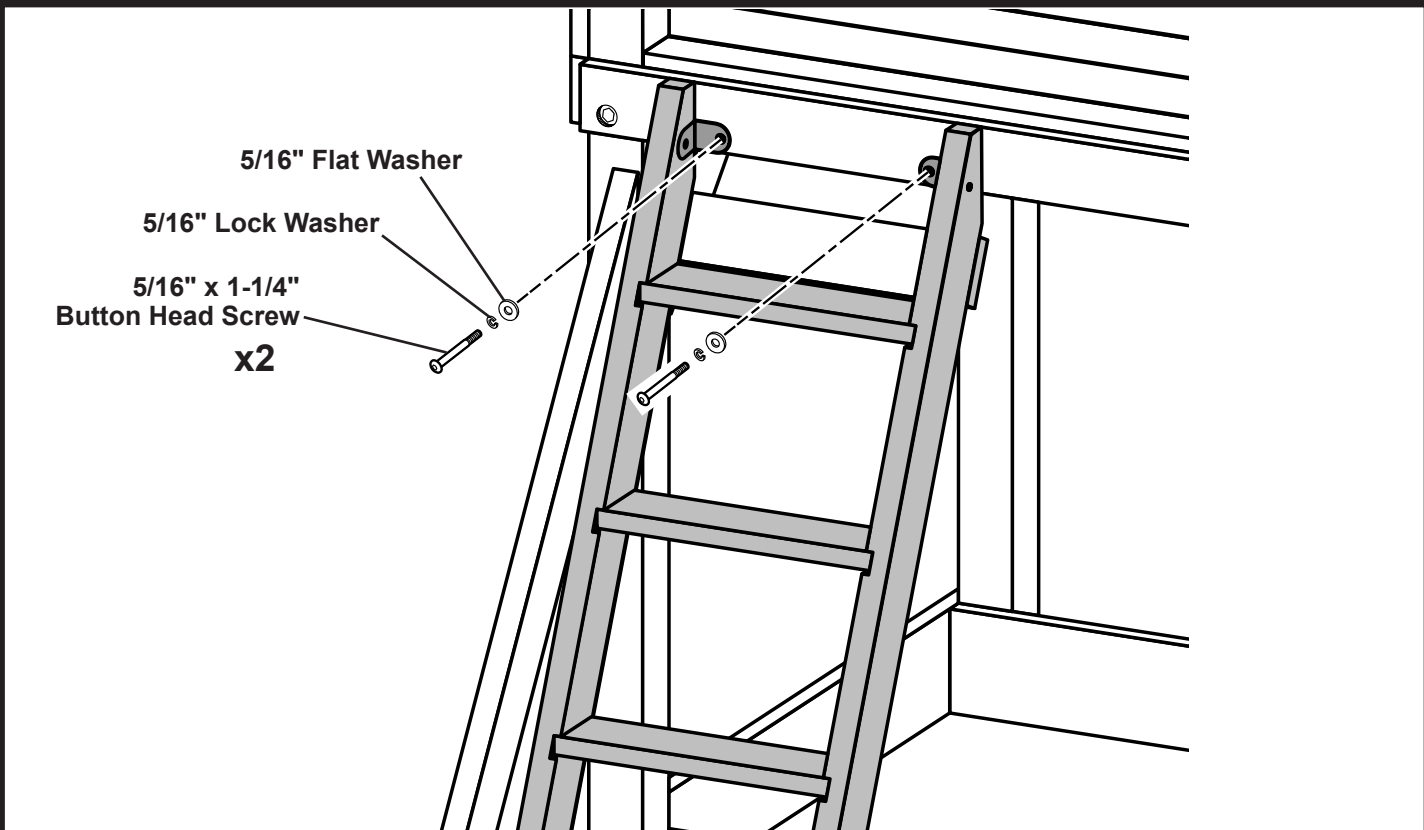
**STEP LADDER**

**INSTALL**



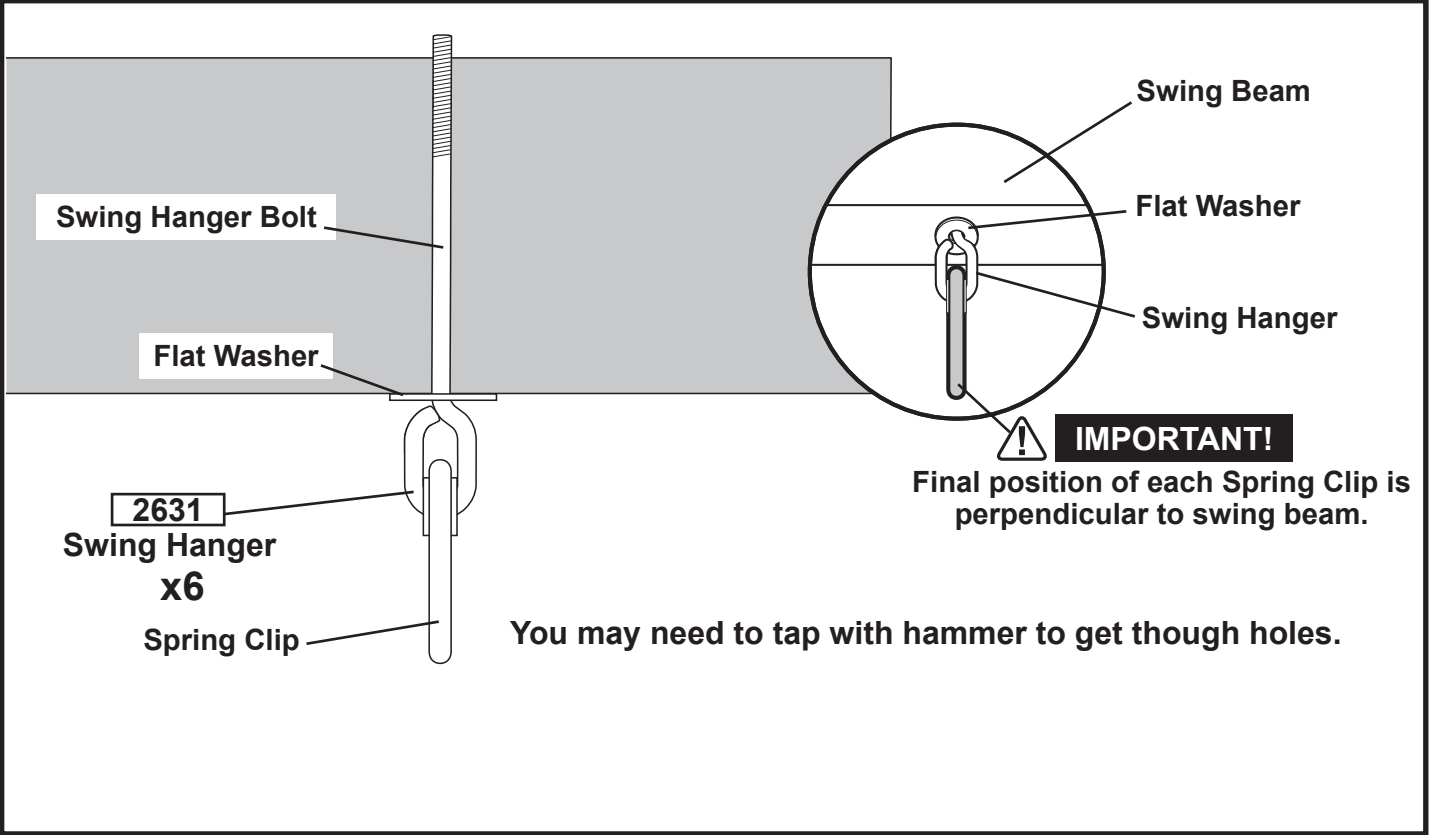
**STEP LADDER**

**INSTALL**



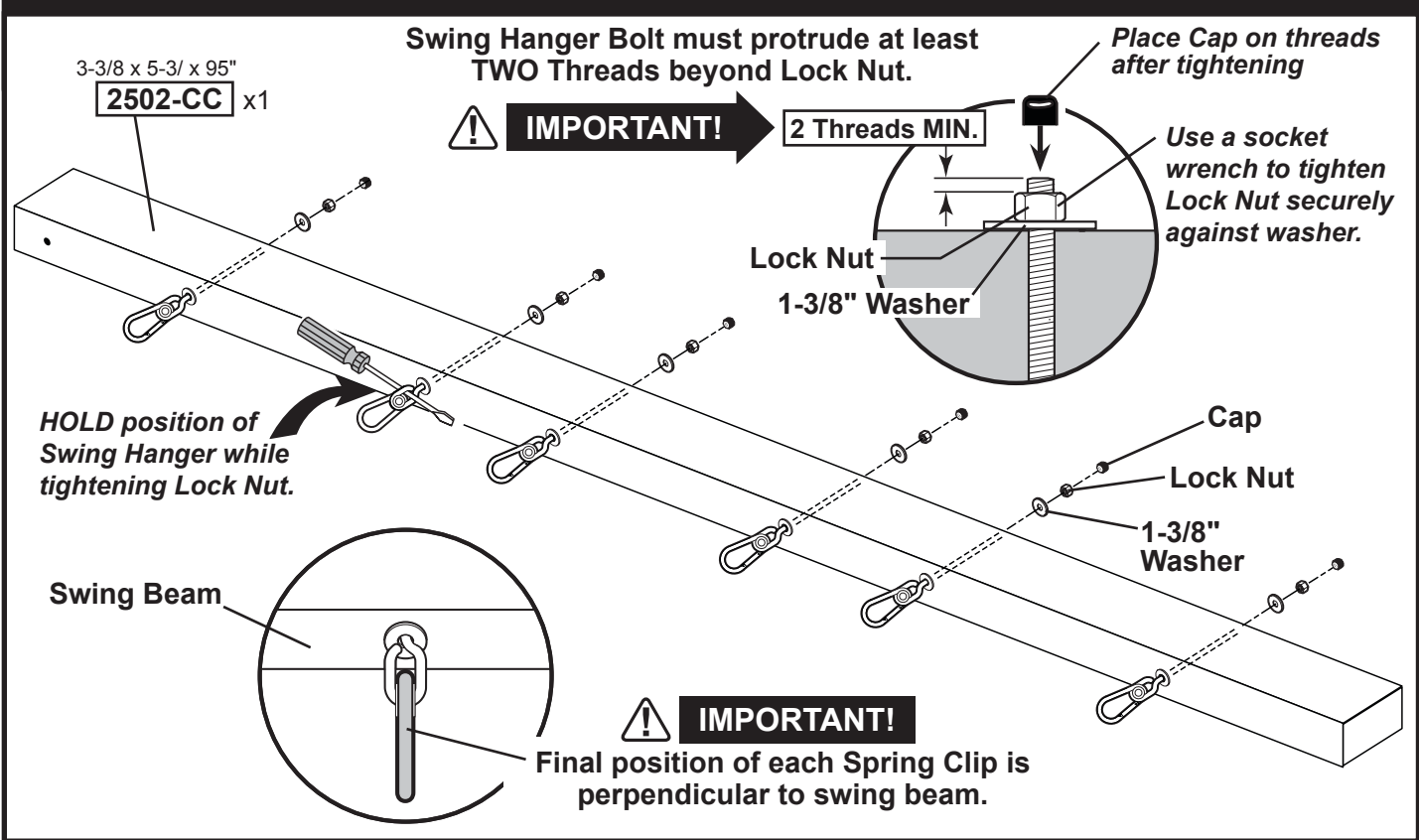
# SWING BEAM

# SWING HANGERS - INSTALL



# SWING BEAM

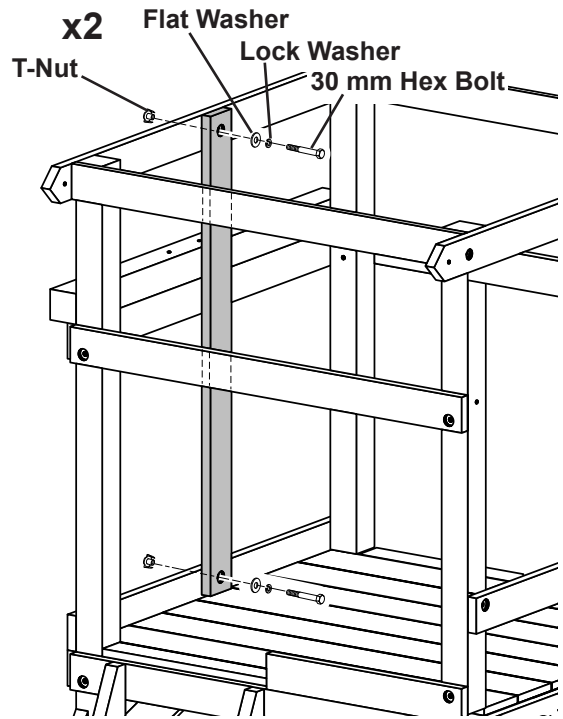
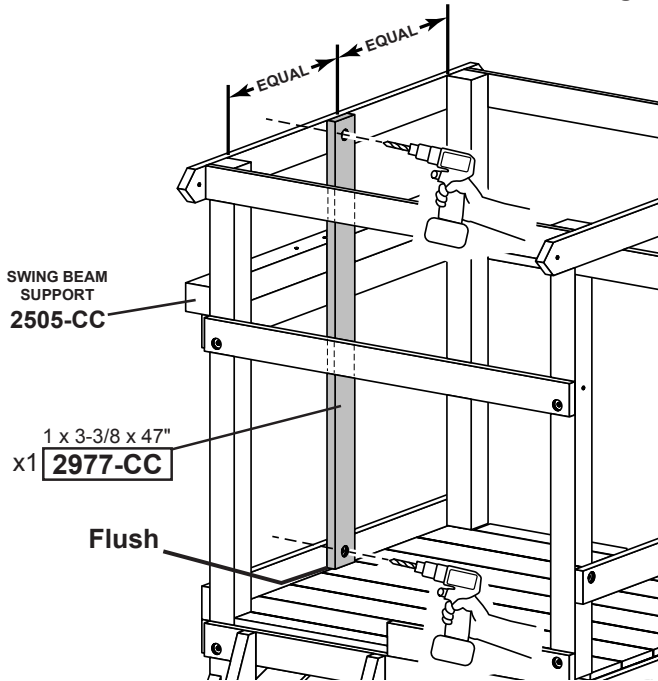
# SWING HANGERS



# UPRIGHT

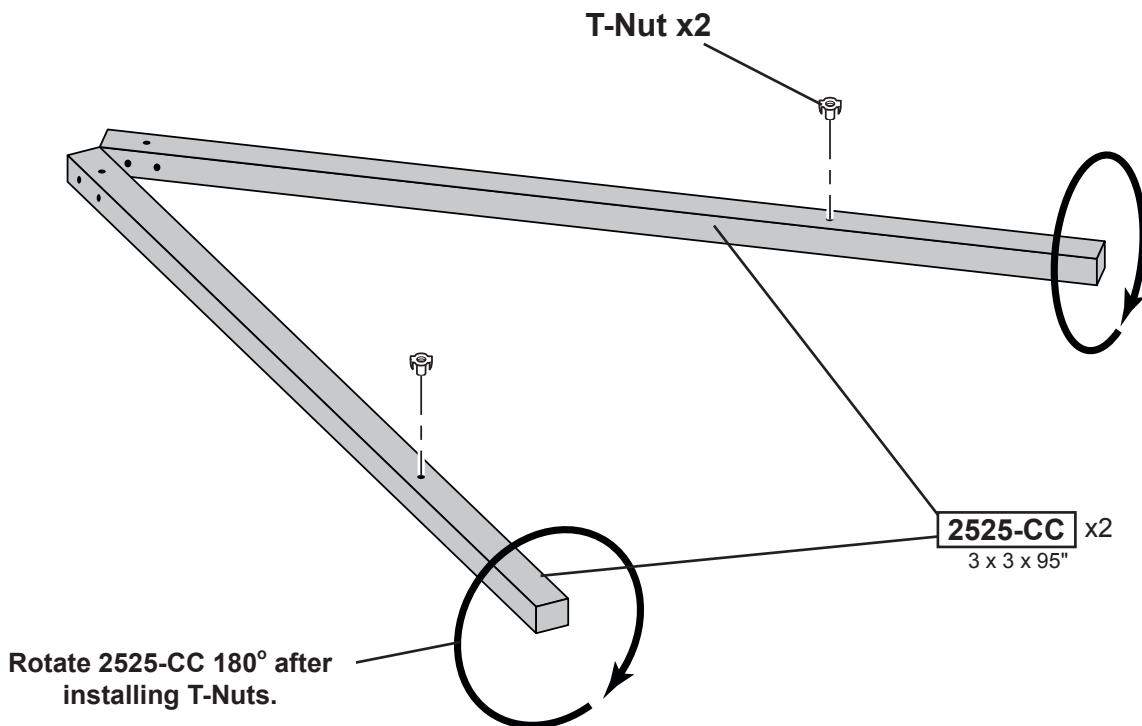
# INSTALL

Center 2977-CC. Mark and Pre drill 7/16" through holes for hex bolt.



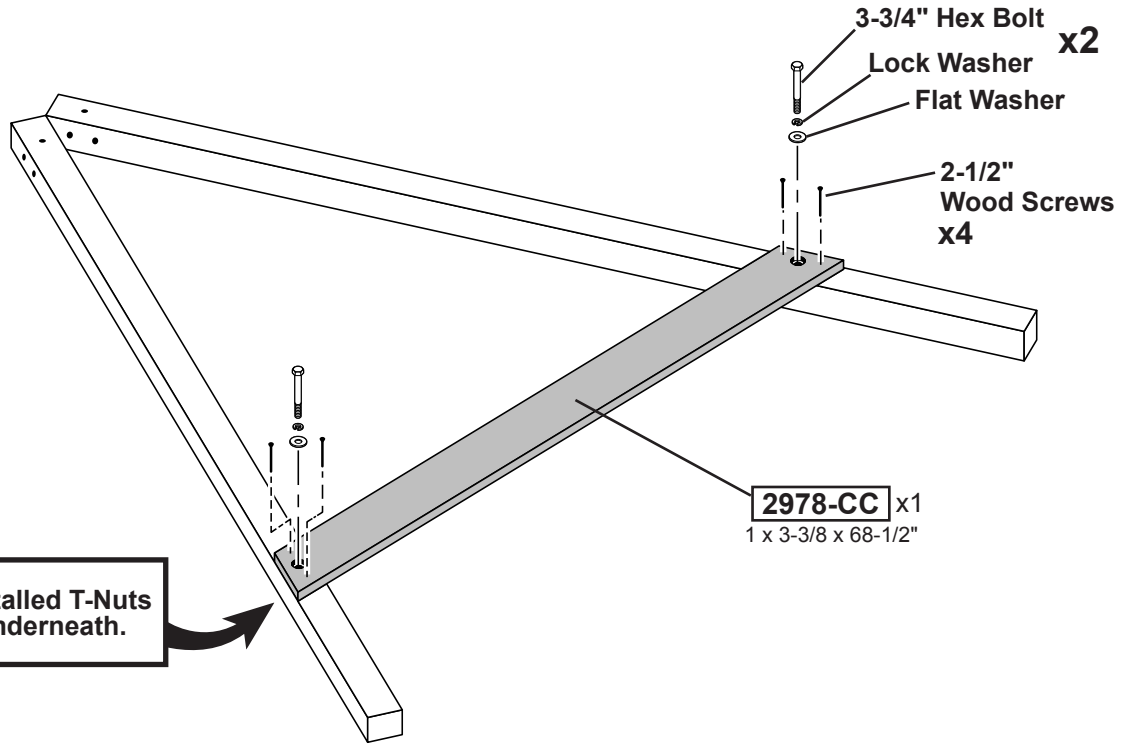
# A - FRAME

# ASSEMBLE



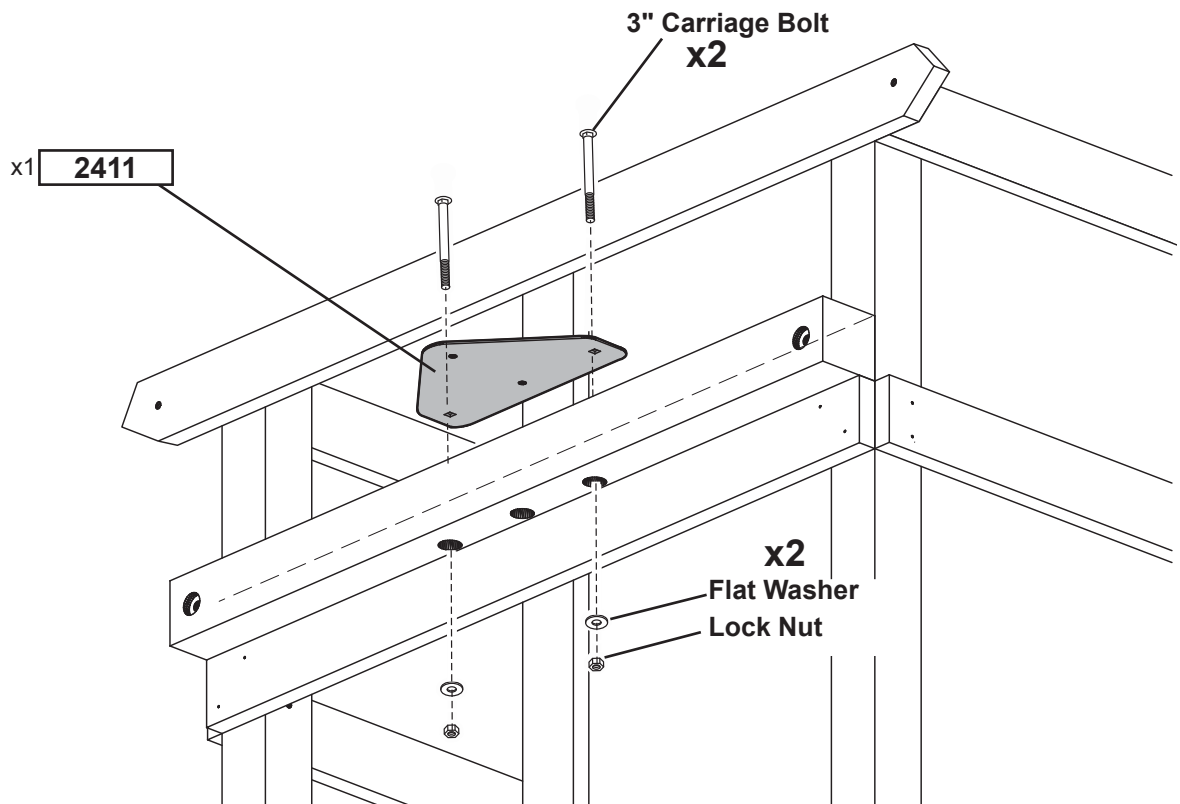
# A - FRAME

# ASSEMBLE



# SWING BEAM

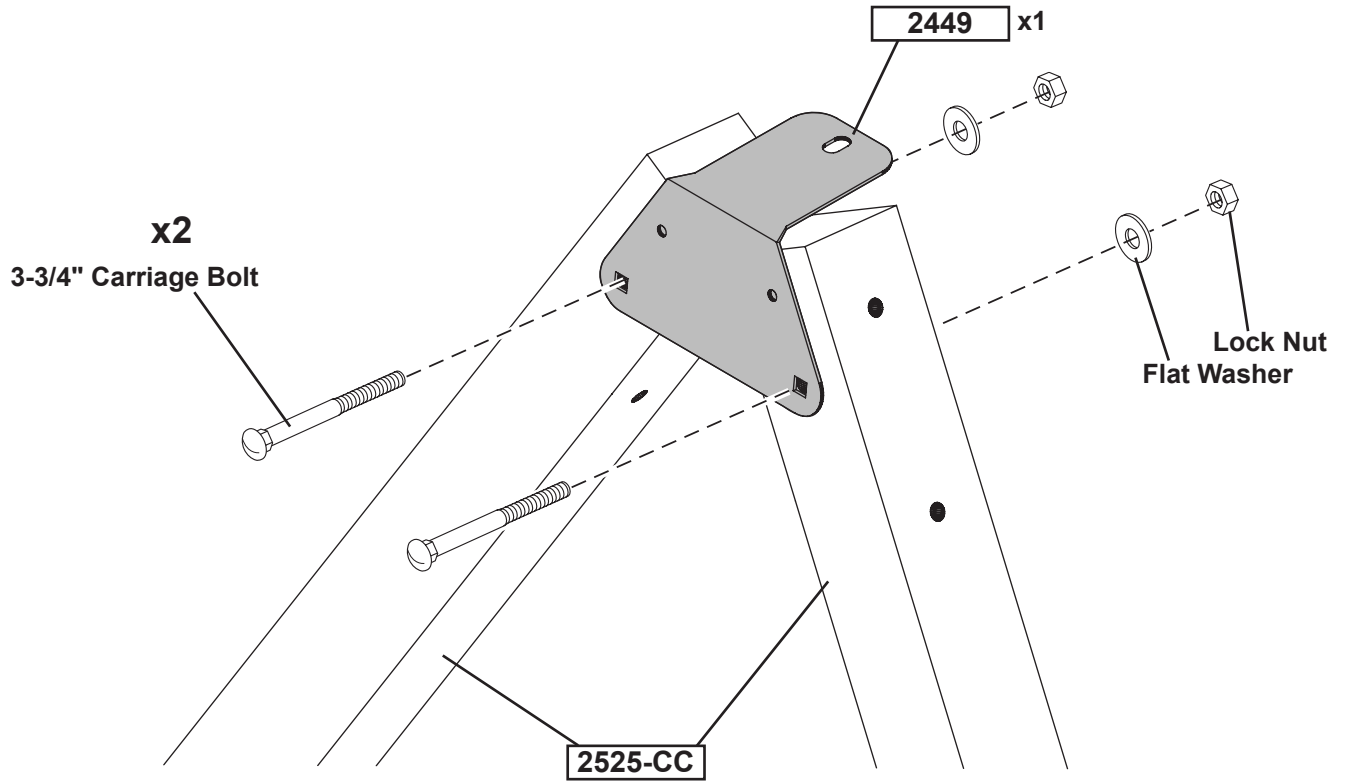
# FLAT PLATE





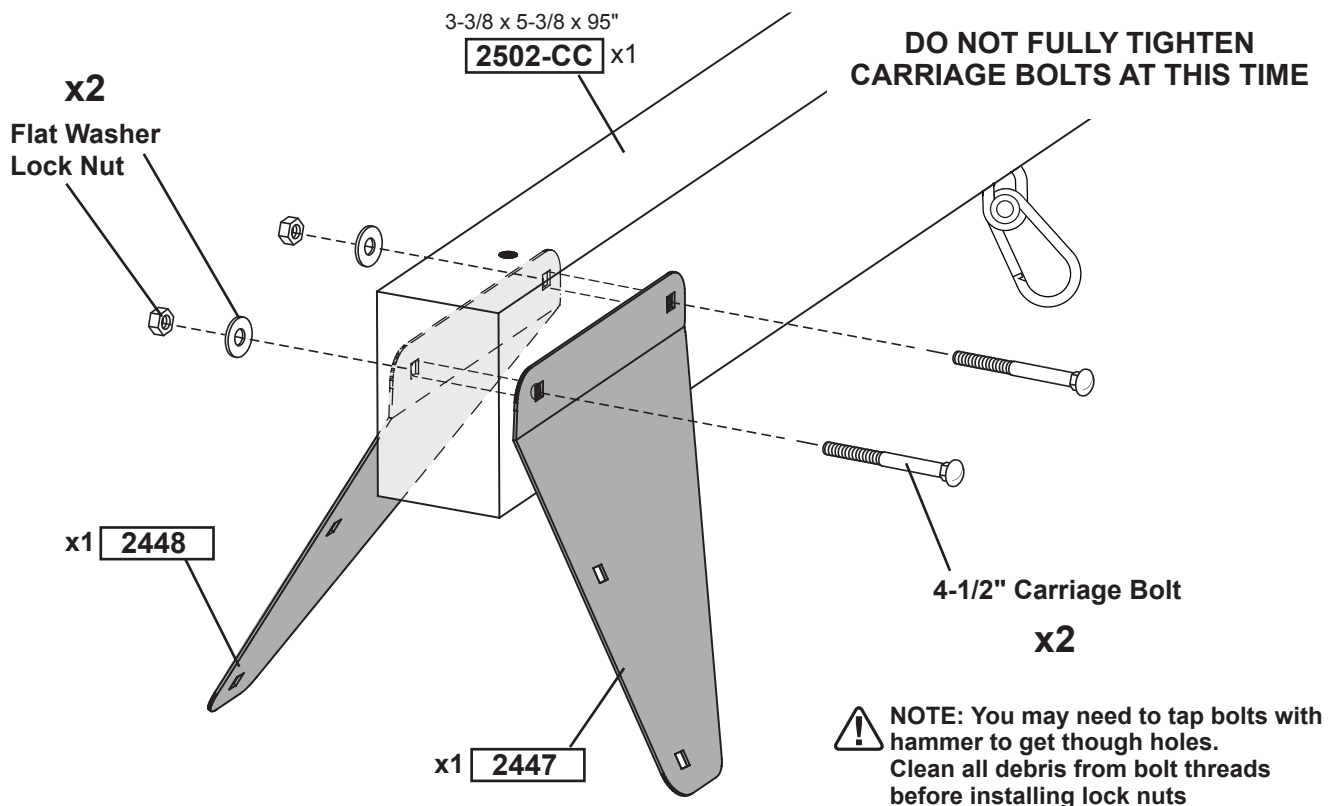
# A - FRAME

# 90° PLATE



# SWING BEAM

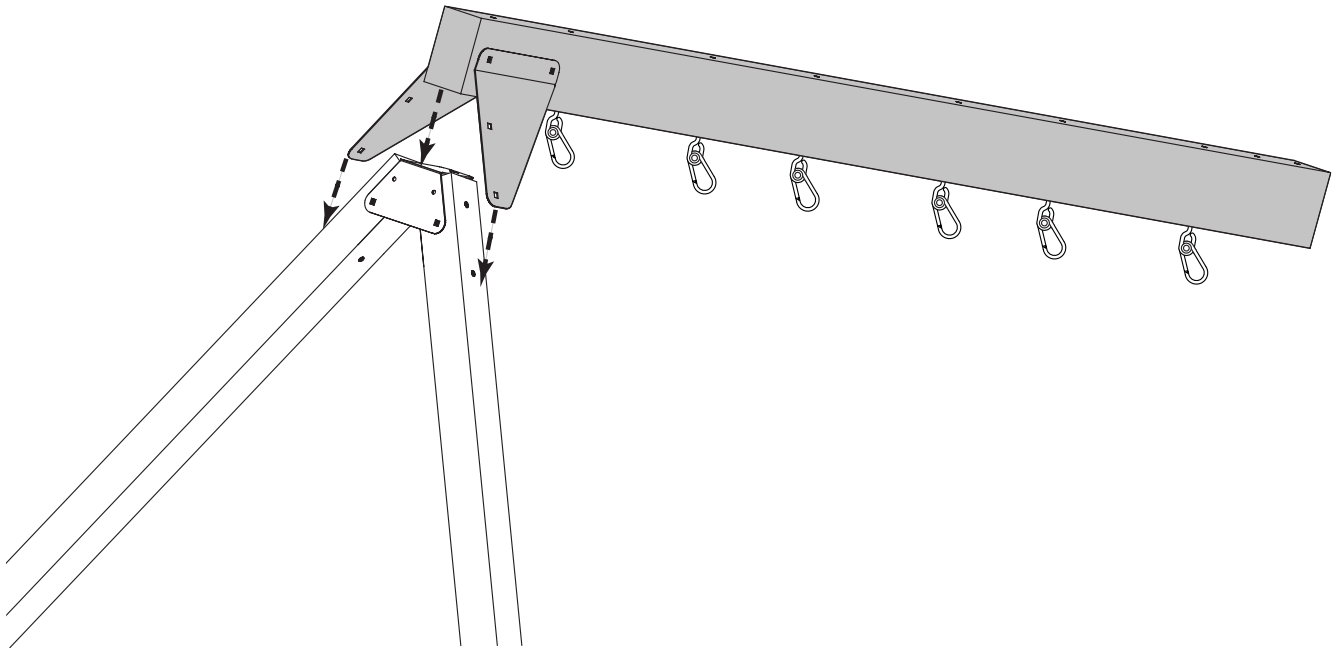
# ANGLED PLATES



# SWING BEAM

# ASSEMBLE

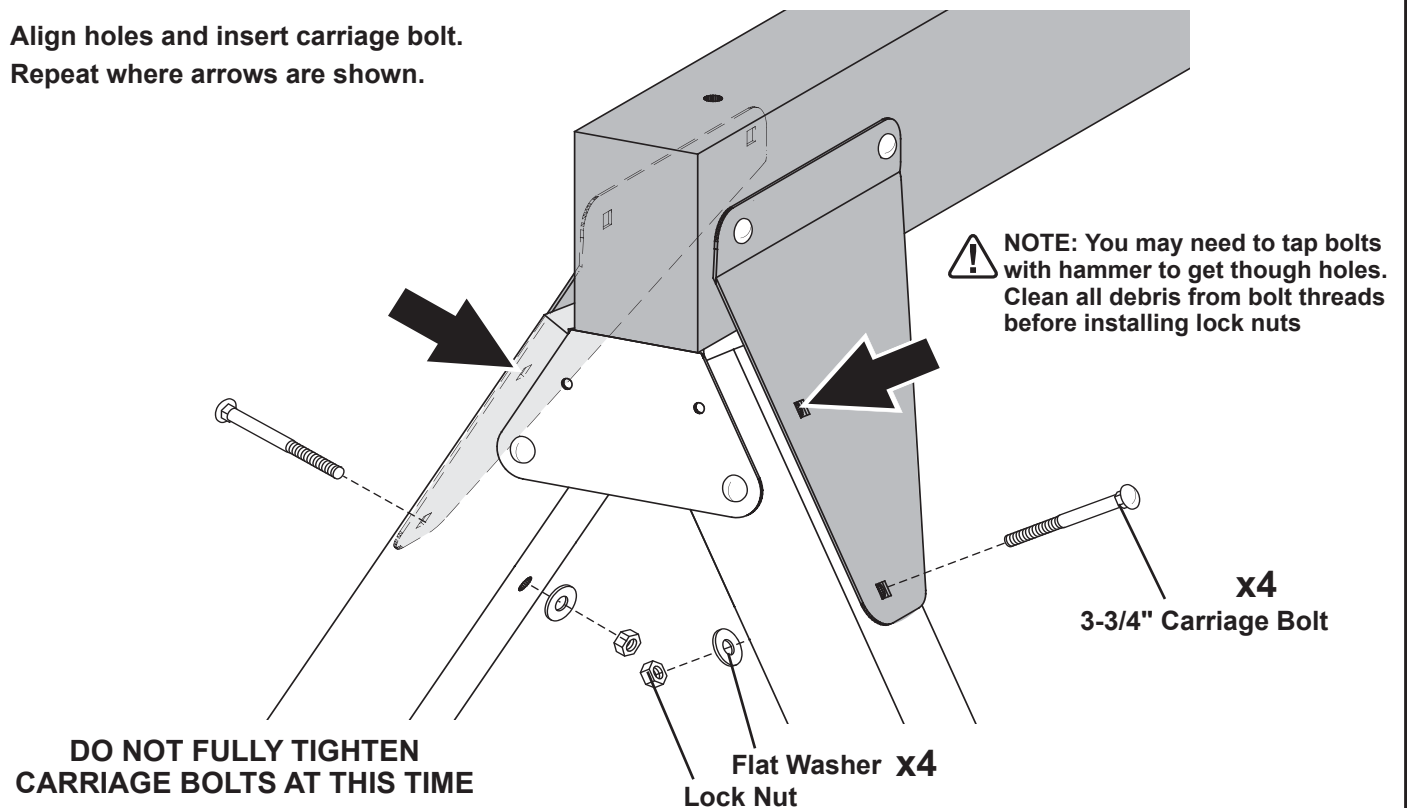
Position swing beam assembly resting upon A-frame.



# SWING BEAM

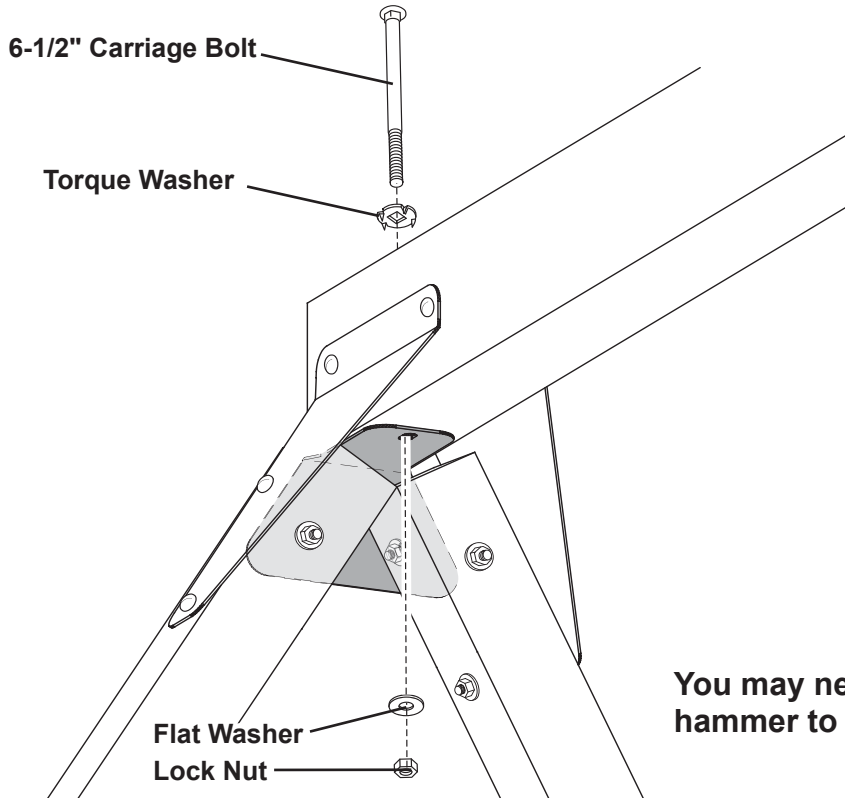
# ASSEMBLE

Align holes and insert carriage bolt.  
Repeat where arrows are shown.



# SWING BEAM

# ASSEMBLE

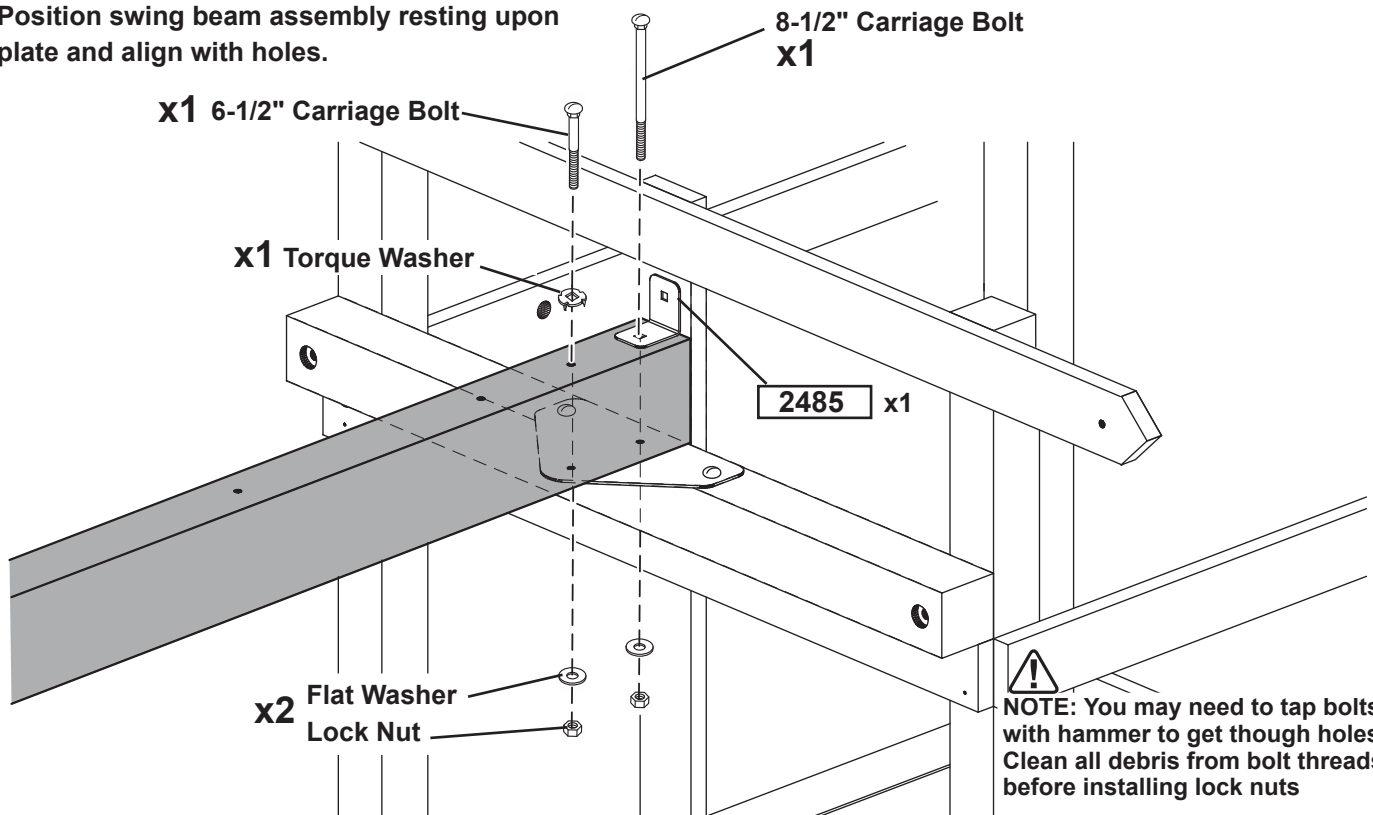


You may need to tap with hammer to get though holes.

# SWING BEAM

# INSTALL

Position swing beam assembly resting upon plate and align with holes.



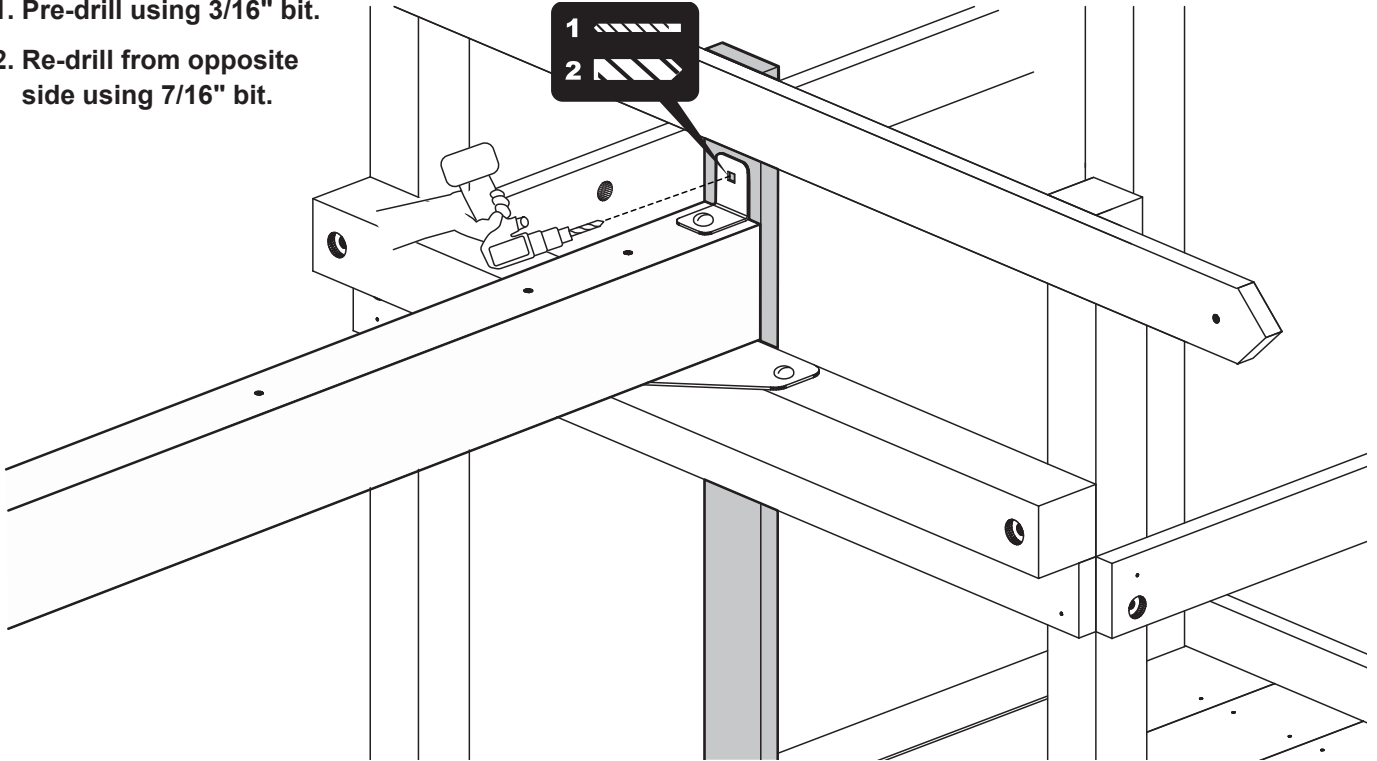
**NOTE:** You may need to tap bolts with hammer to get though holes. Clean all debris from bolt threads before installing lock nuts

# SWING BEAM

# INSTALL

- 1. Pre-drill using 3/16" bit.
- 2. Re-drill from opposite side using 7/16" bit.

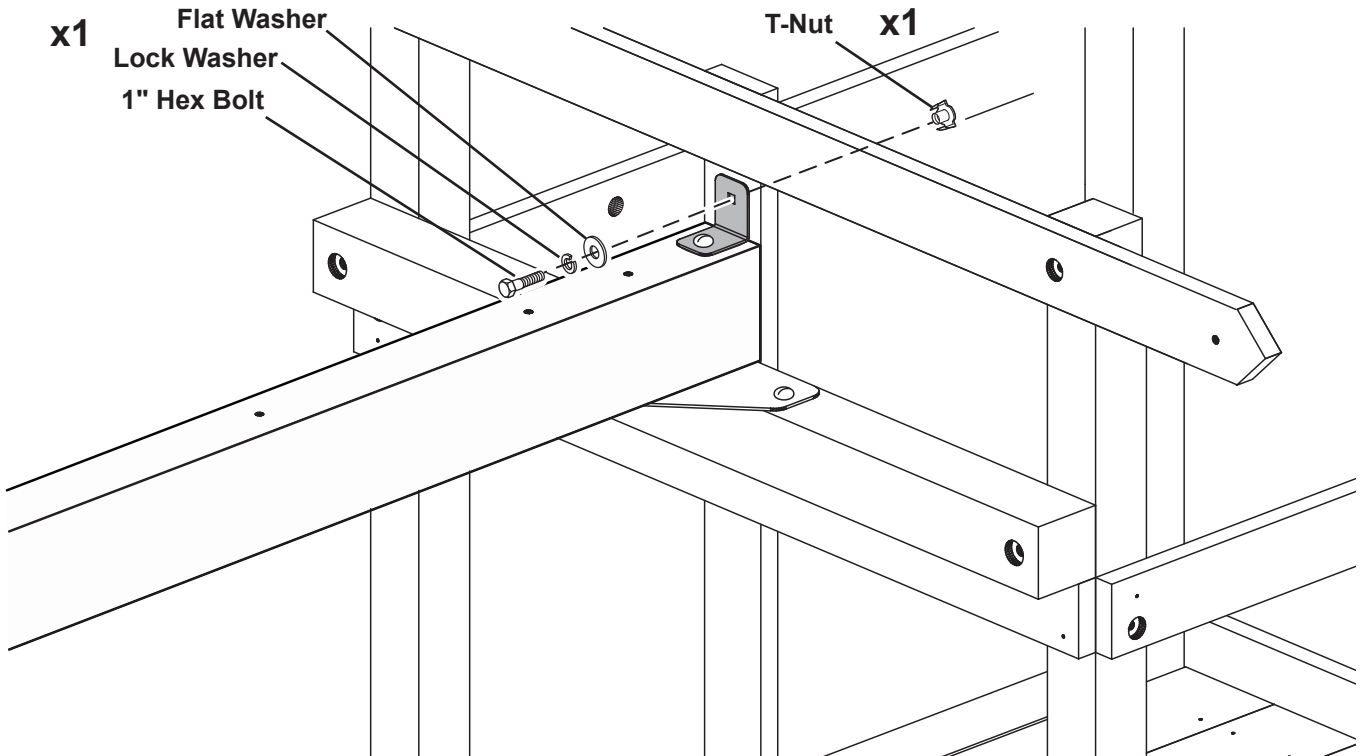
SEE PAGE 7



# SWING BEAM

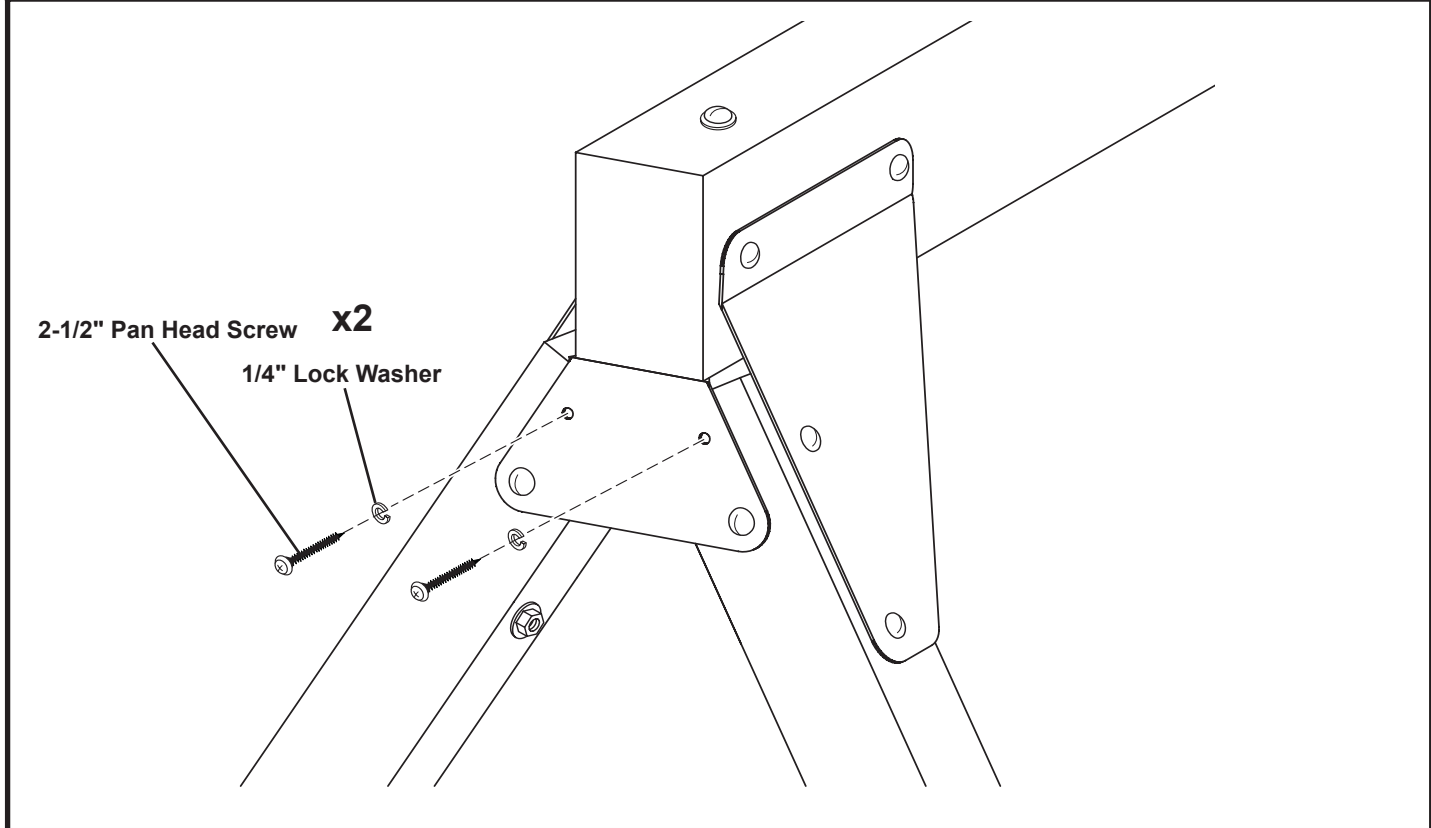
# INSTALL

- x1 Flat Washer
- Lock Washer
- 1" Hex Bolt
- T-Nut x1



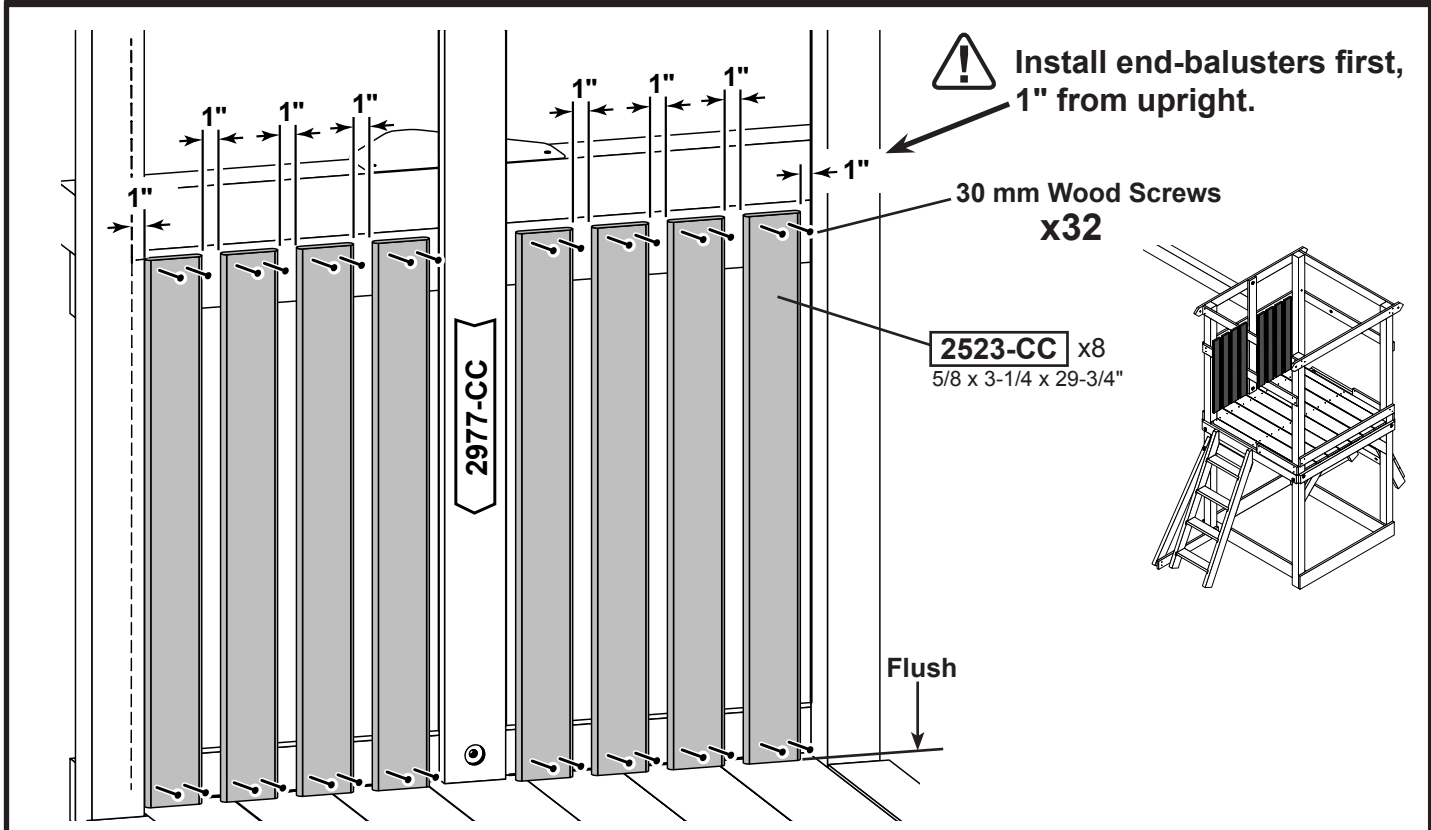
# SWING BEAM

# ASSEMBLE



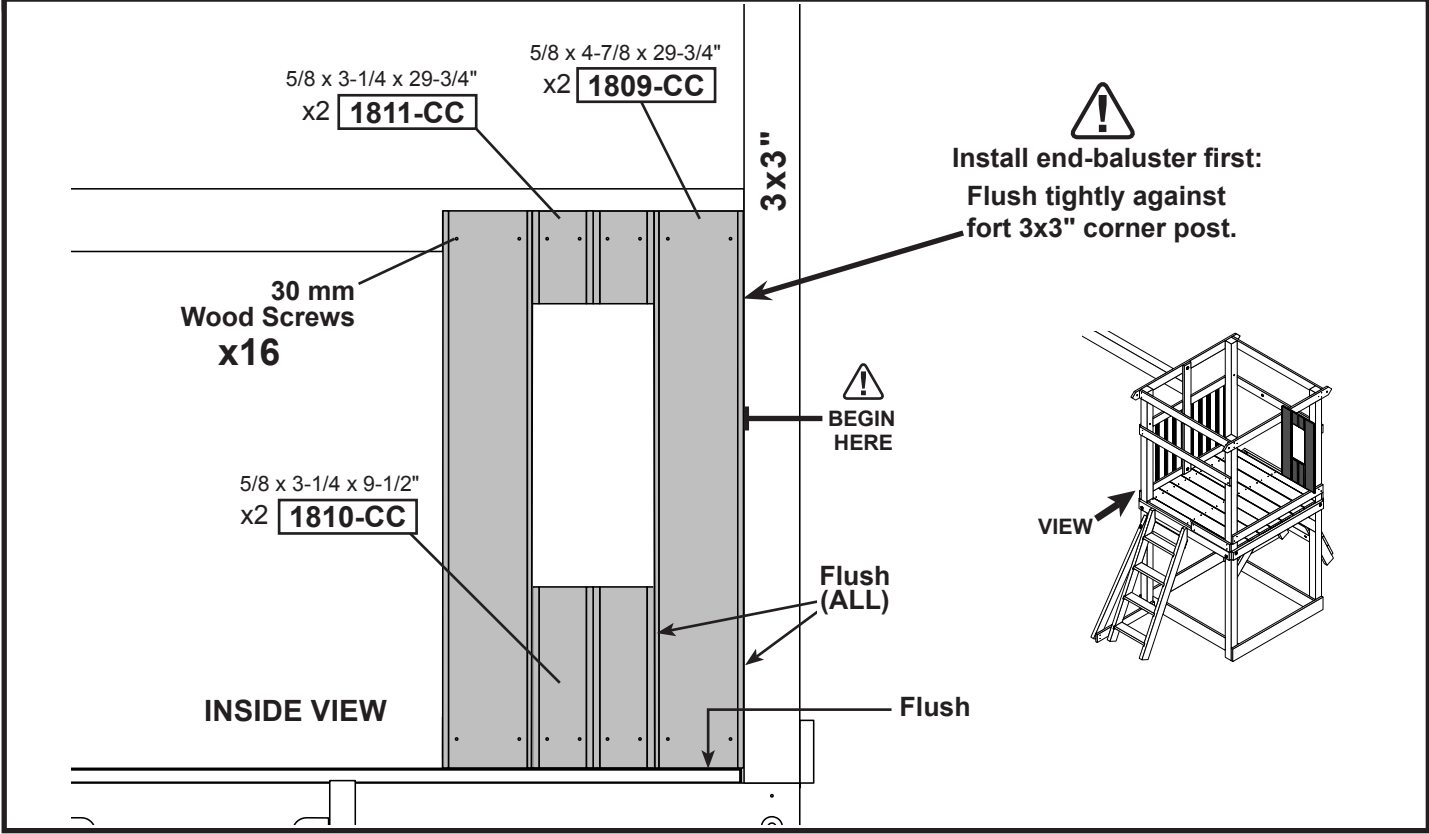
# FORT

# BALUSTERS



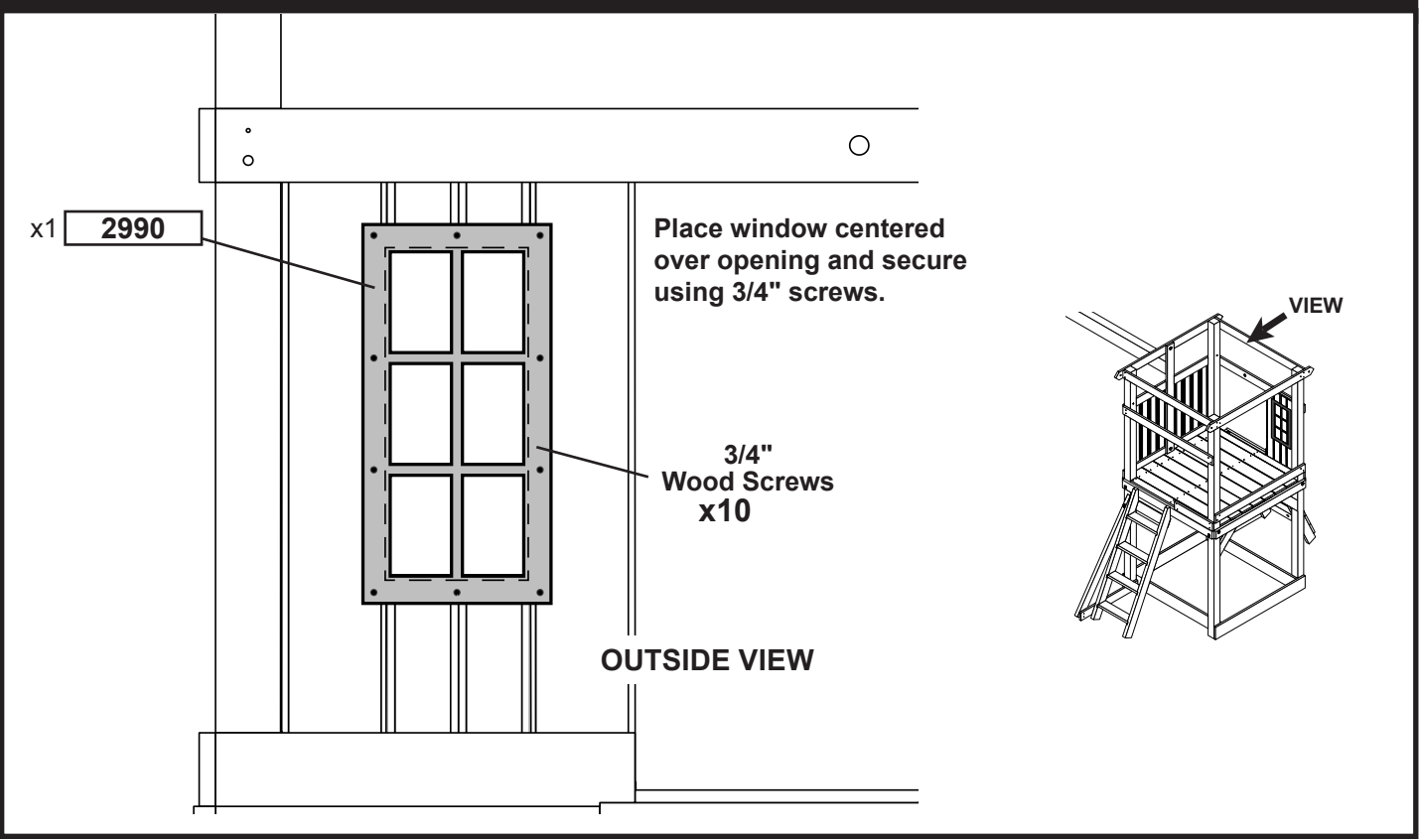
# FORT

# ROCK WALL SIDE BALUSTERS



# FORT

# WINDOW





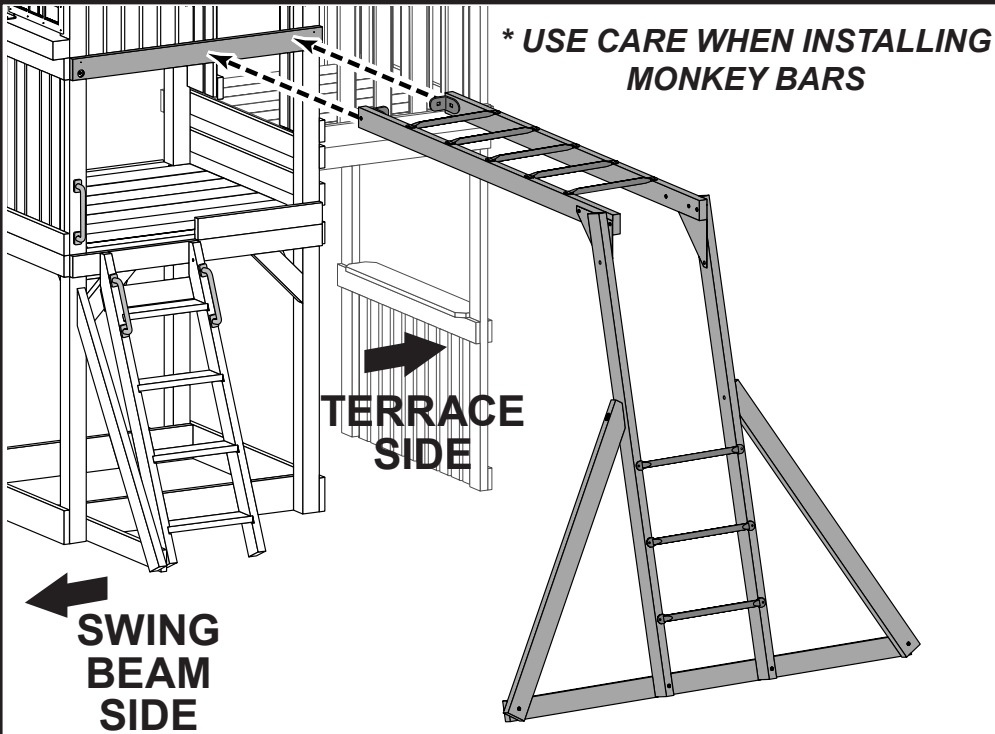
**AT THIS TIME YOU WILL BUILD YOUR MONKEY BAR.**

**REFER TO THE MANUAL IN MONKEY BAR KIT FOR ASSEMBLY.**

**AFTER ASSEMBLY,  
CONTINUE ON TO NEXT PAGE FOR INSTALLATION.**

# MONKEY BAR

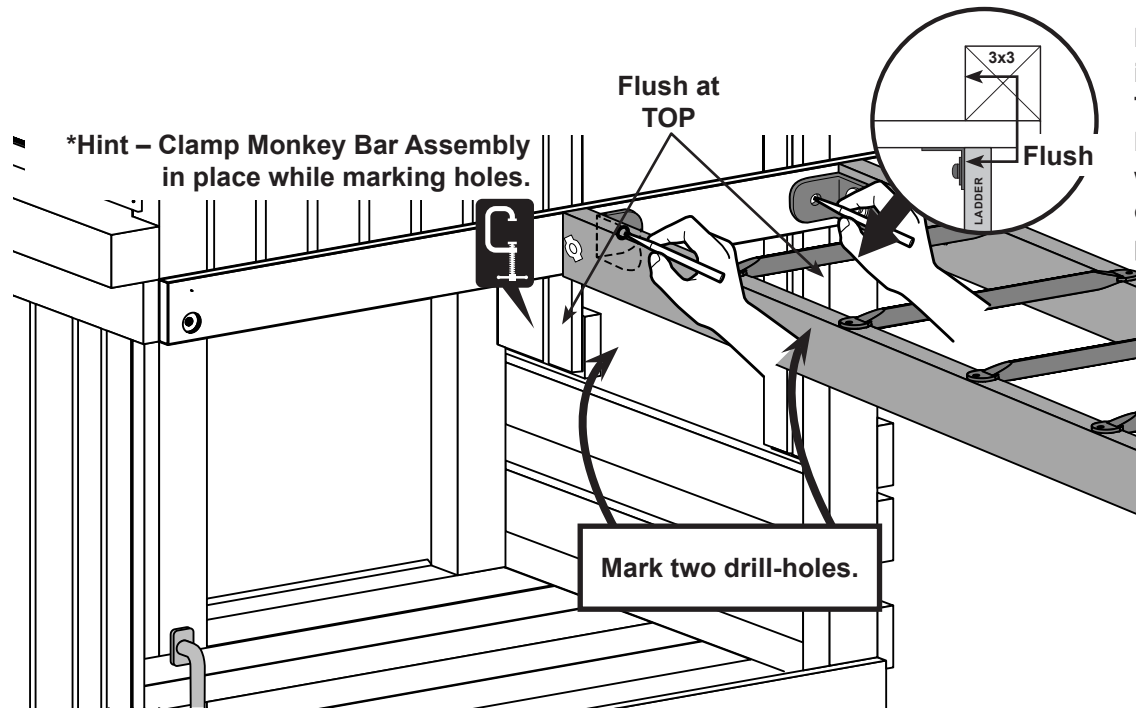
# INSTALL POSITION



*\* TWO PEOPLE AND A STEP LADDER ARE RECOMMENDED FOR THIS STEP*

# MONKEY BAR

# INSTALL - STEP 1



*\*Hint – Clamp Monkey Bar Assembly in place while marking holes.*

**Mark two drill-holes.**

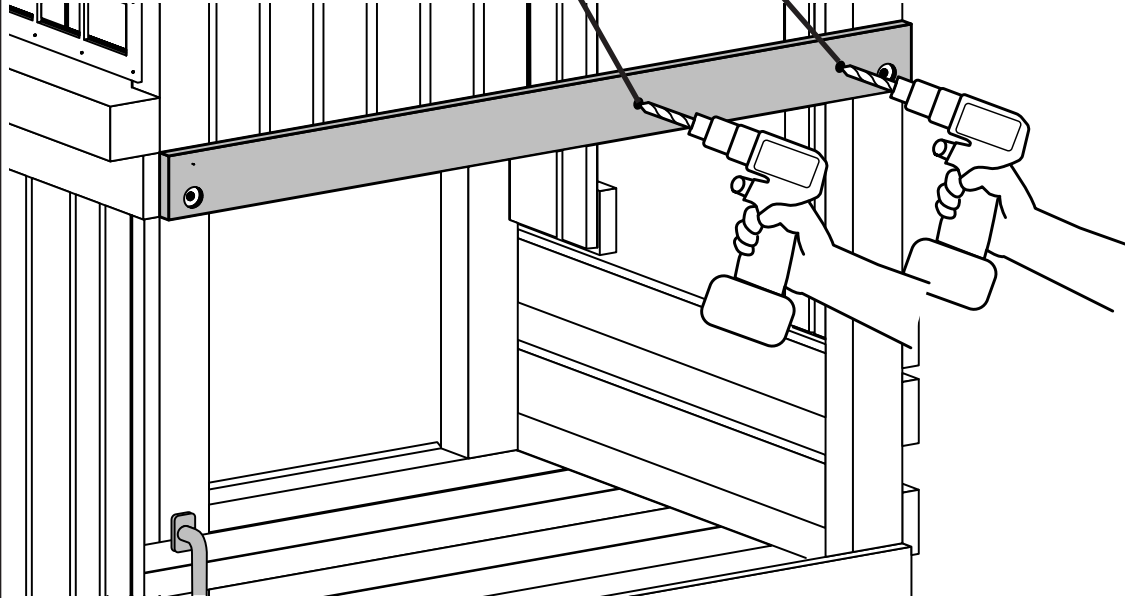
Ensure inner side of Top Ladder Rail is flush with inside of 3x3 corner post.



## MONKEY BAR

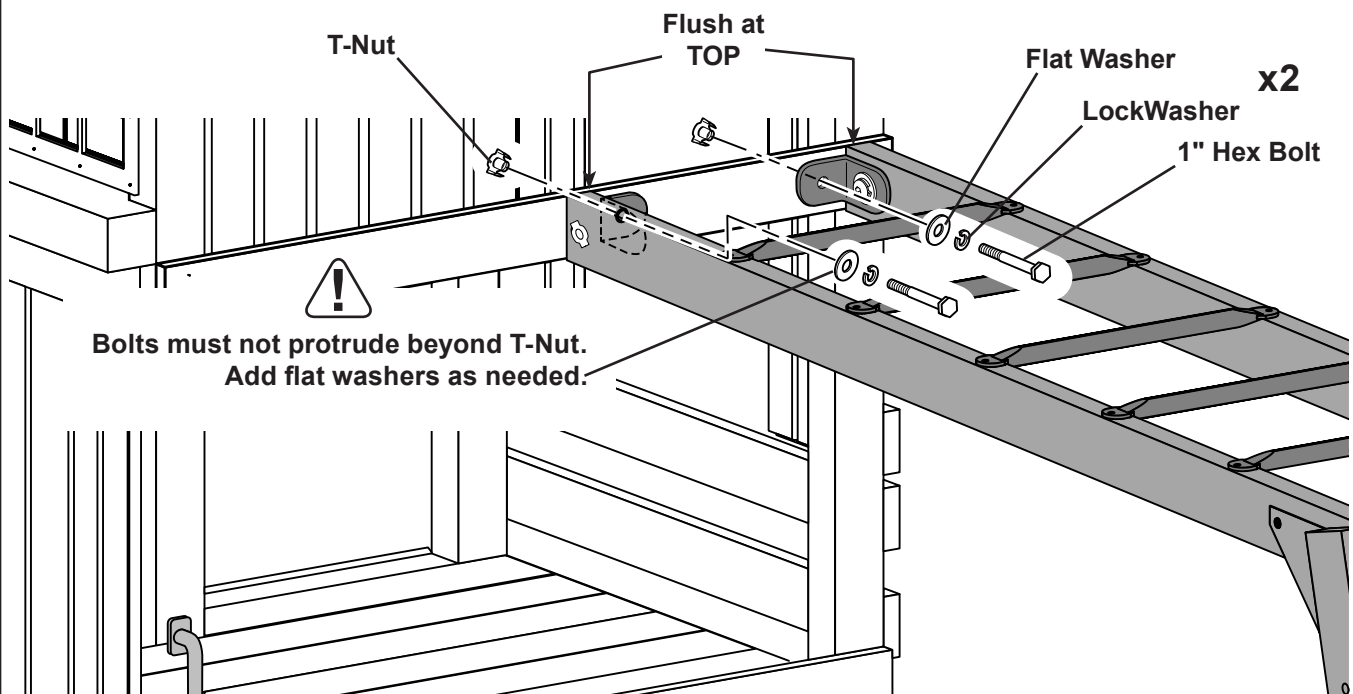
## INSTALL - STEP 2

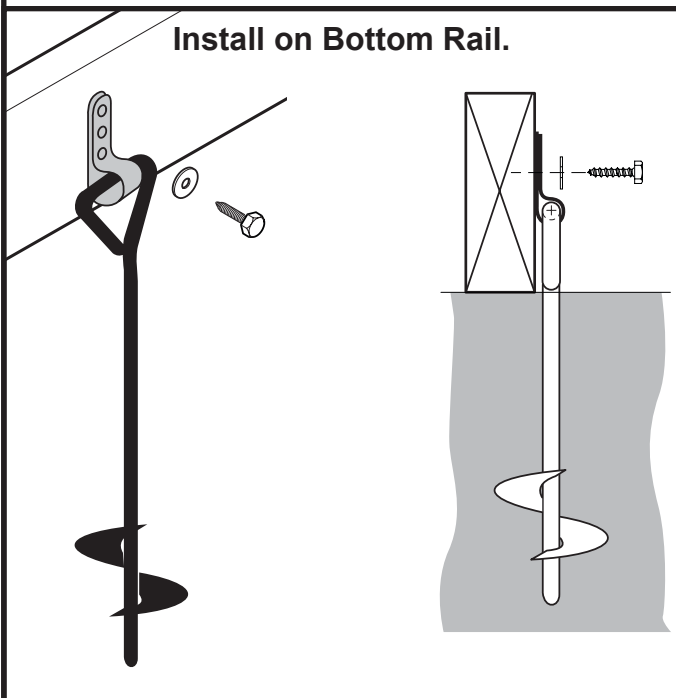
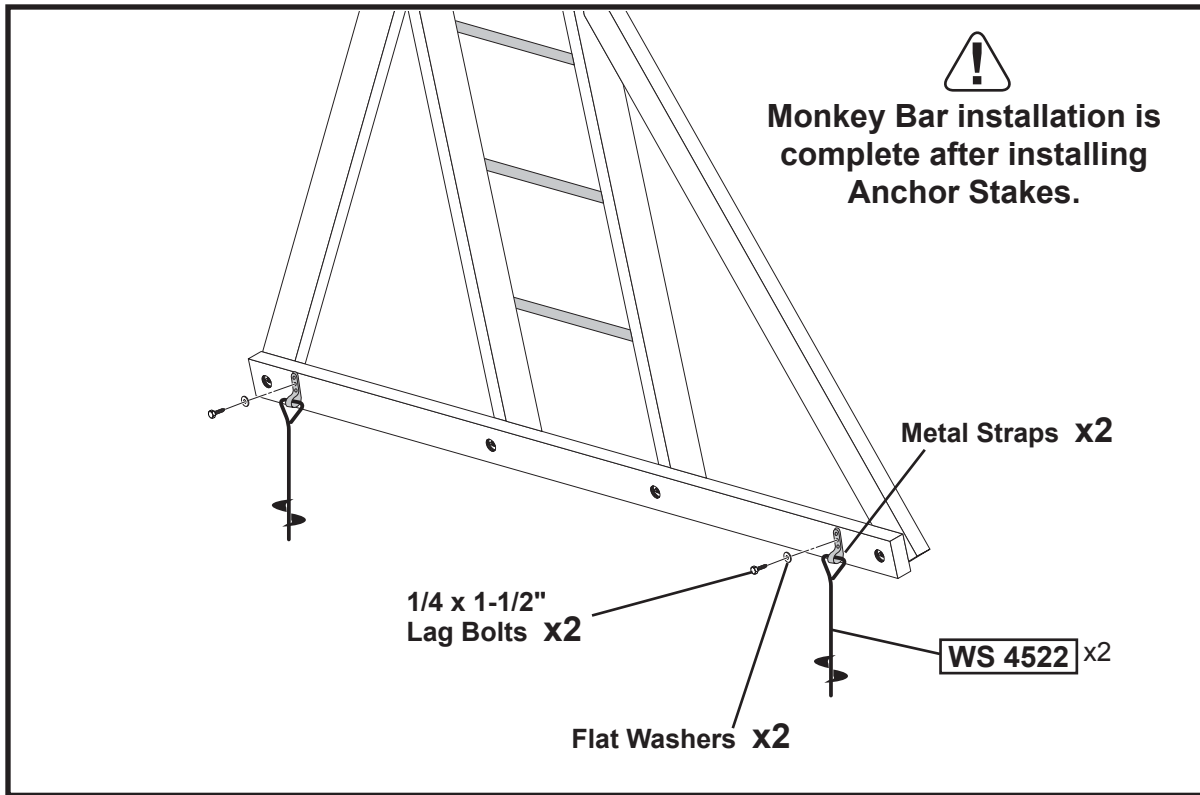
Drill-Through 3/16" marked locations.  
Re-Drill through using 7/16" bit from inside fort.



## MONKEY BAR

## INSTALL - STEP 3



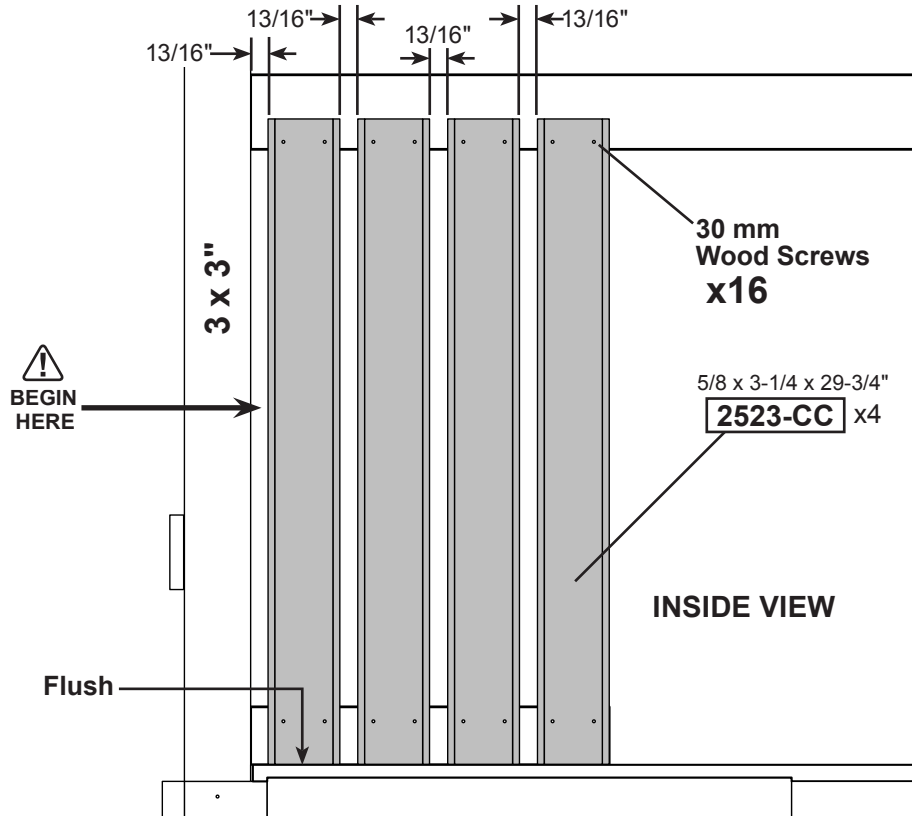


### Instructions for anchoring your playset product to the ground.

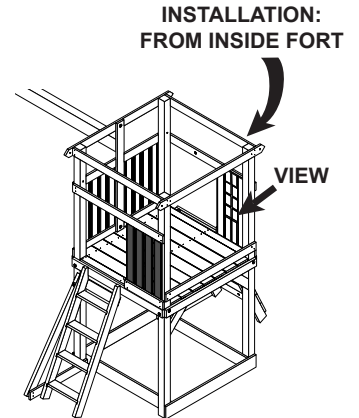
1. Determine the final location of your playset product.
2. Place the Anchor Stakes adjacent to the base and near the corners of your playset product (at the bottom of the legs on swing sets) and twist the auger-style Anchor Stakes into the ground until only the loop is exposed.
3. Place the metal strap through the loop of the Anchor Stake and secure it to the unit with a lag screw and washer as shown.  
 Note: Attach the strap to the unit with as little play as possible using whatever holes in the strap work the best.

# FORT

# LADDER SIDE BALUSTERS

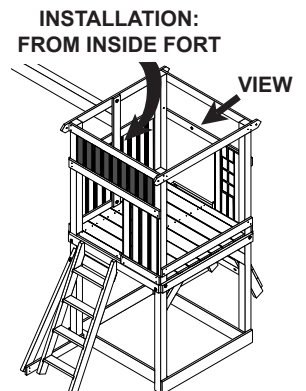
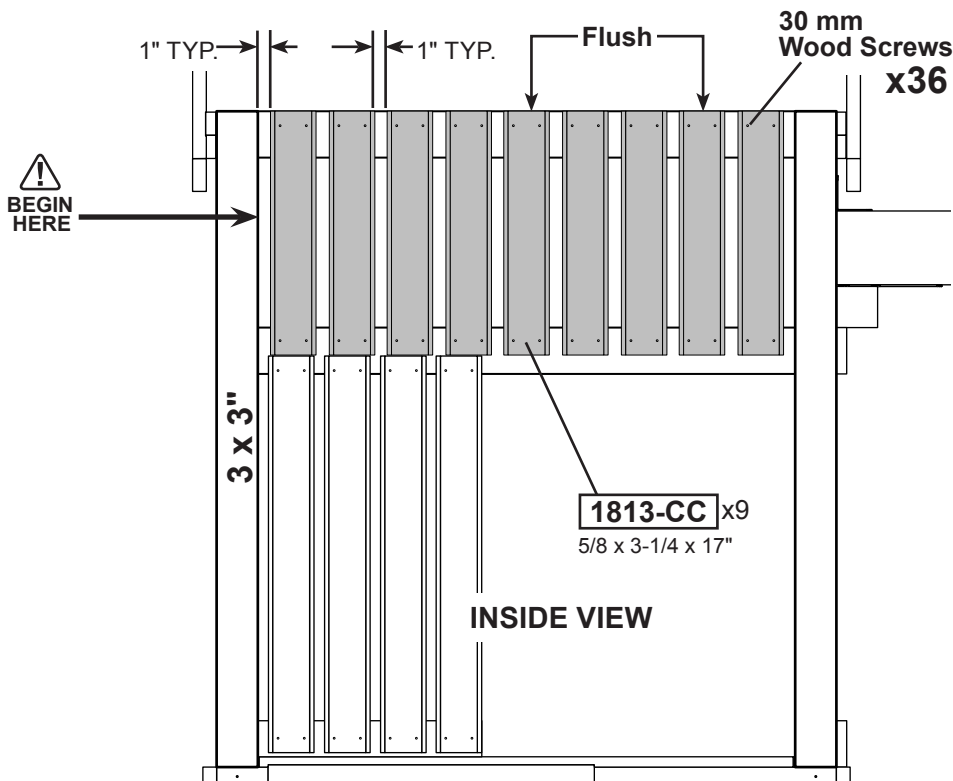


**! MONKEY BAR WILL NOT BE SHOWN FOR BETTER CLARITY DURING ASSEMBLY.**



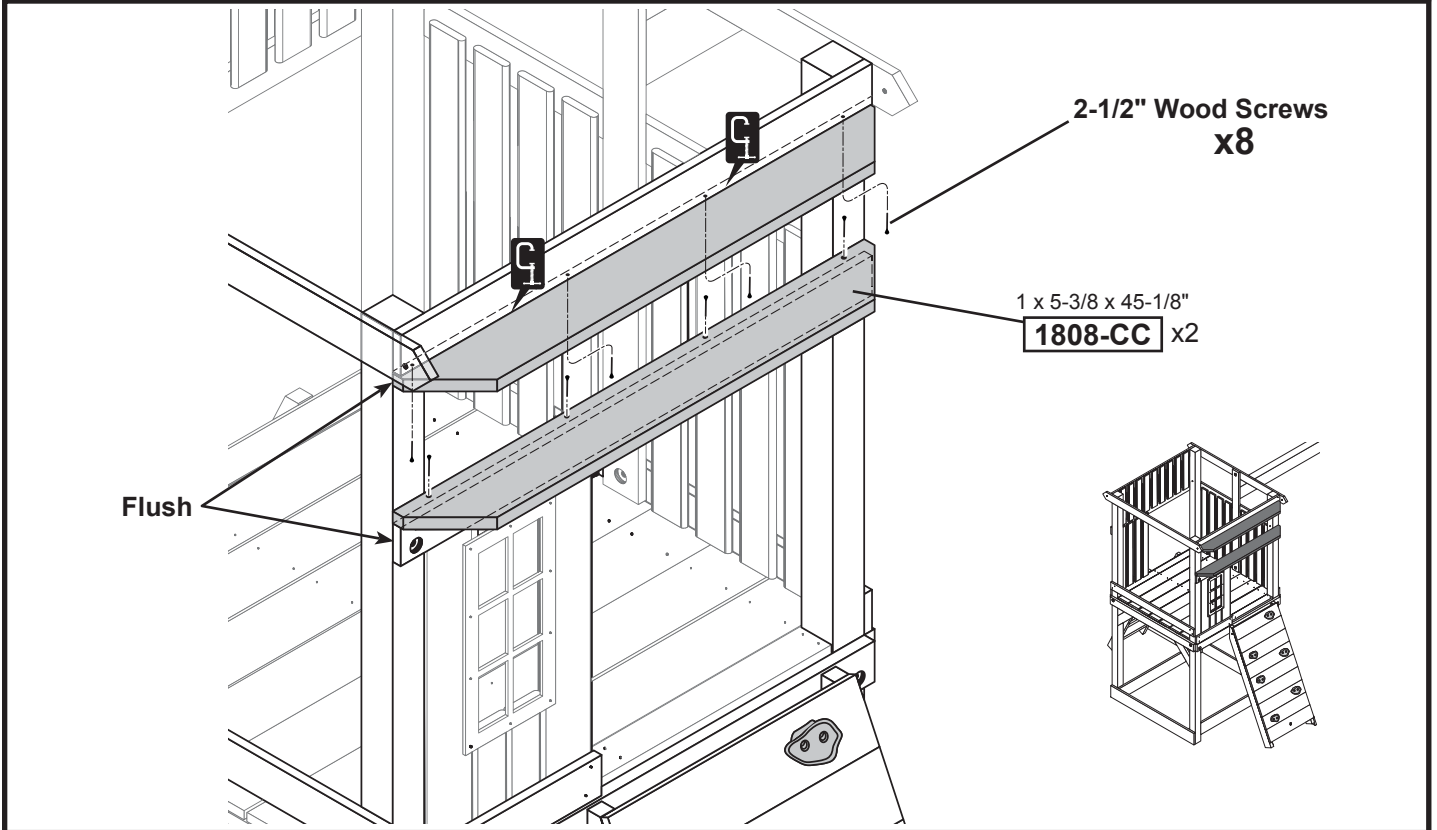
# FORT

# LADDER SIDE BALUSTERS



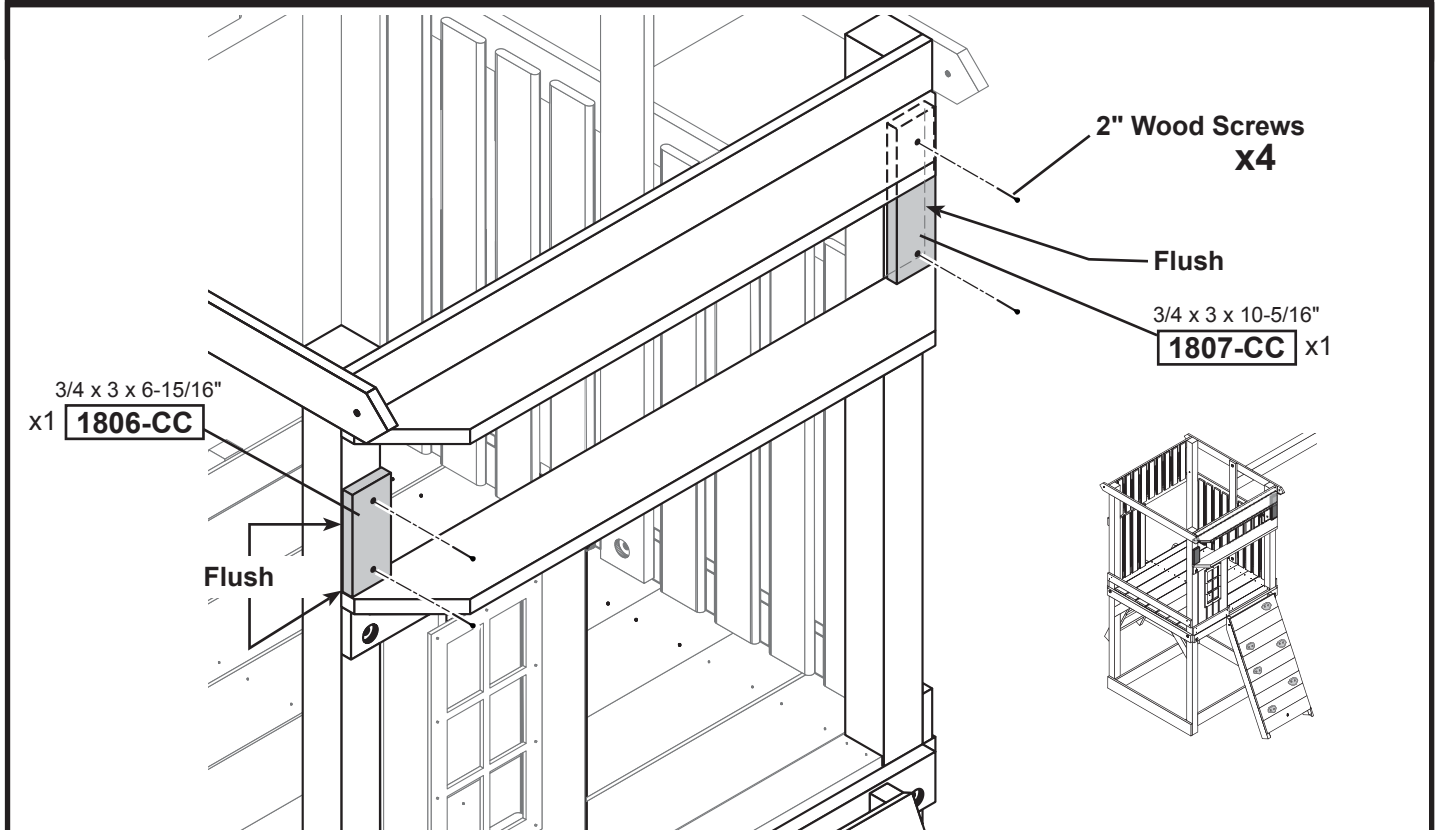
# FORT

# BAY WINDOW



# FORT

# BAY WINDOW





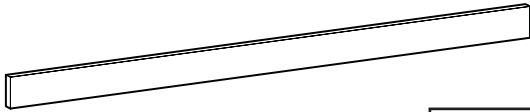
**YOU WILL BUILD YOUR TERRACE AT THIS TIME.**

**GO TO NEXT PAGE.**

# TERRACE PARTS LIST

TERRACE PARTS

3/4 x 2-1/2 x 45-1/8"



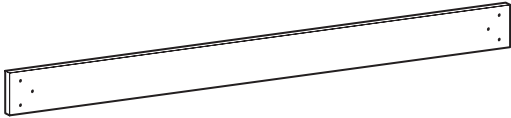
**2516-CC** x1

5/8 x 3-1/4 x 29-3/4"



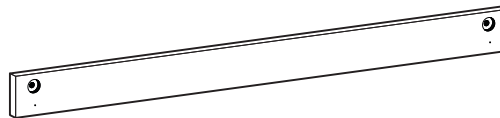
**2523-CC** x10

5/8 x 3-3/8 x 45-1/8"



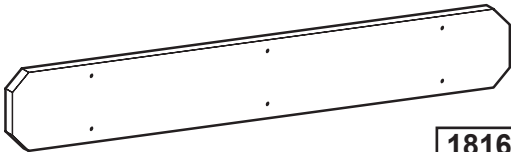
**1817-CC** x3

1 x 3-3/8 x 45-1/8"



**1815-CC** x1

5/8 x 5-3/8 x 38"



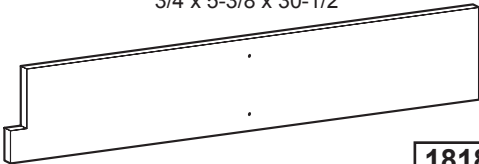
**1816-CC** x1

5/8 x 3-1/4 x 27-1/2"



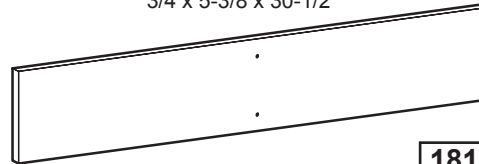
**2873-CC** x10

3/4 x 5-3/8 x 30-1/2"



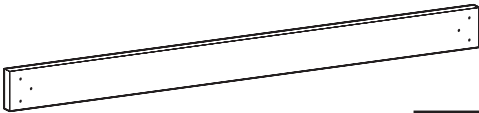
**1818-CC** x2

3/4 x 5-3/8 x 30-1/2"



**1819-CC** x6

3/4 x 3-3/8 x 45-1/2"



**1820-CC** x2

3/4 x 3-3/8 x 33-1/2"



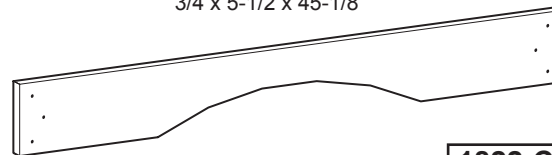
**1821-CC** x5

5/8 x 3-1/4 x 32-3/4"



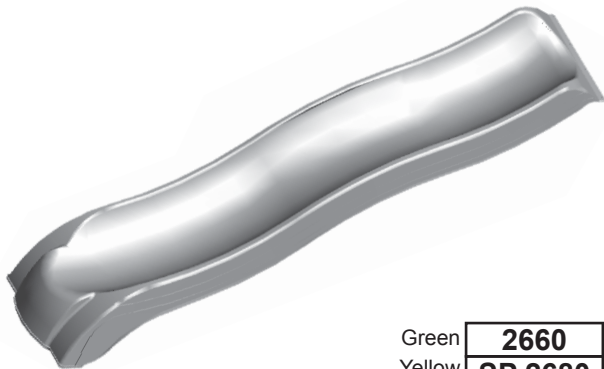
**2879-CC** x2

3/4 x 5-1/2 x 45-1/8"



**1822-CC** x1

SLIDE



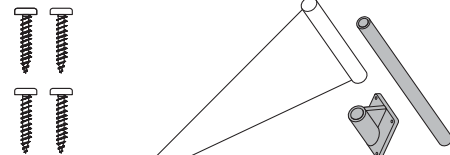
Green **2660** x1  
Yellow **SP 2680** x1

1-3/8 x 3-3/8 x 17"



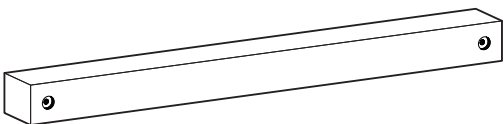
**PF 6295** x1

FLAG



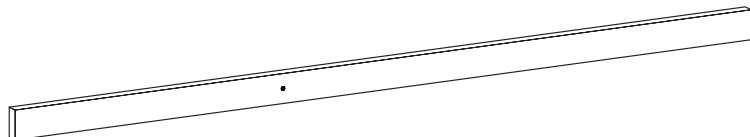
**SA 4211** x2

3 x 3 x 45-1/8"



**1824-CC** x1

1-3/8 x 3-3/8 x 95"

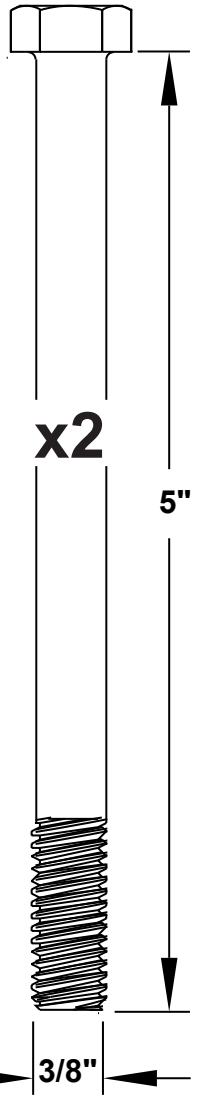


**1823-CC** x2

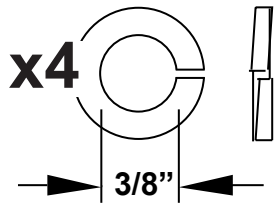
# HARDWARE PARTS LIST

FASTENERS

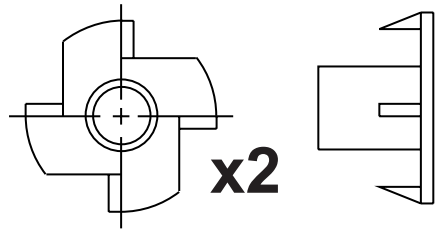
**3/8" HEX BOLT**



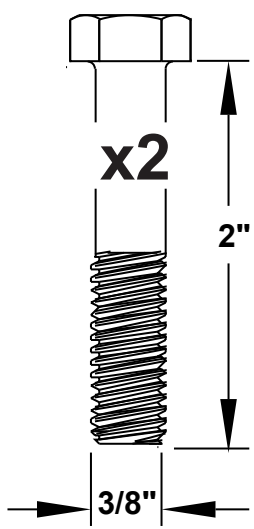
**3/8" LOCK WASHER**



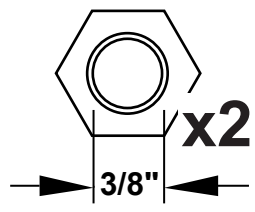
**3/8" T - NUT**



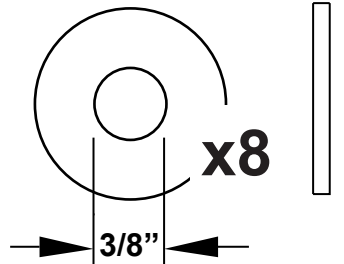
**3/8" HEX BOLT**



**3/8" LOCK NUT**

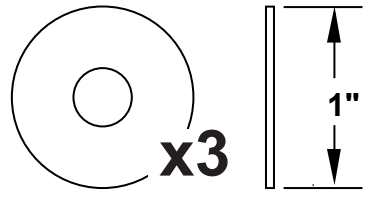


**3/8" FLAT WASHER**

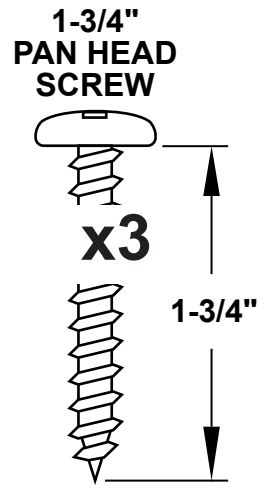
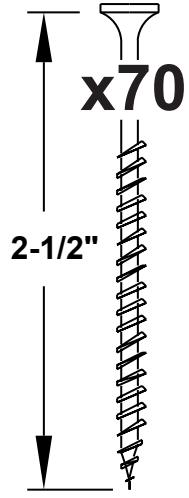
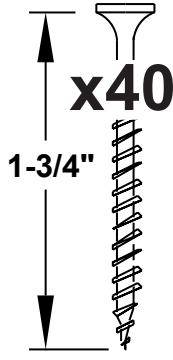
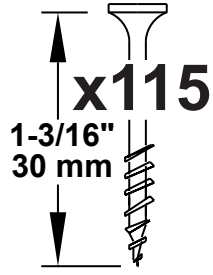


A C T U A L  
S I Z E

**1/4" x 1" FENDER WASHER**

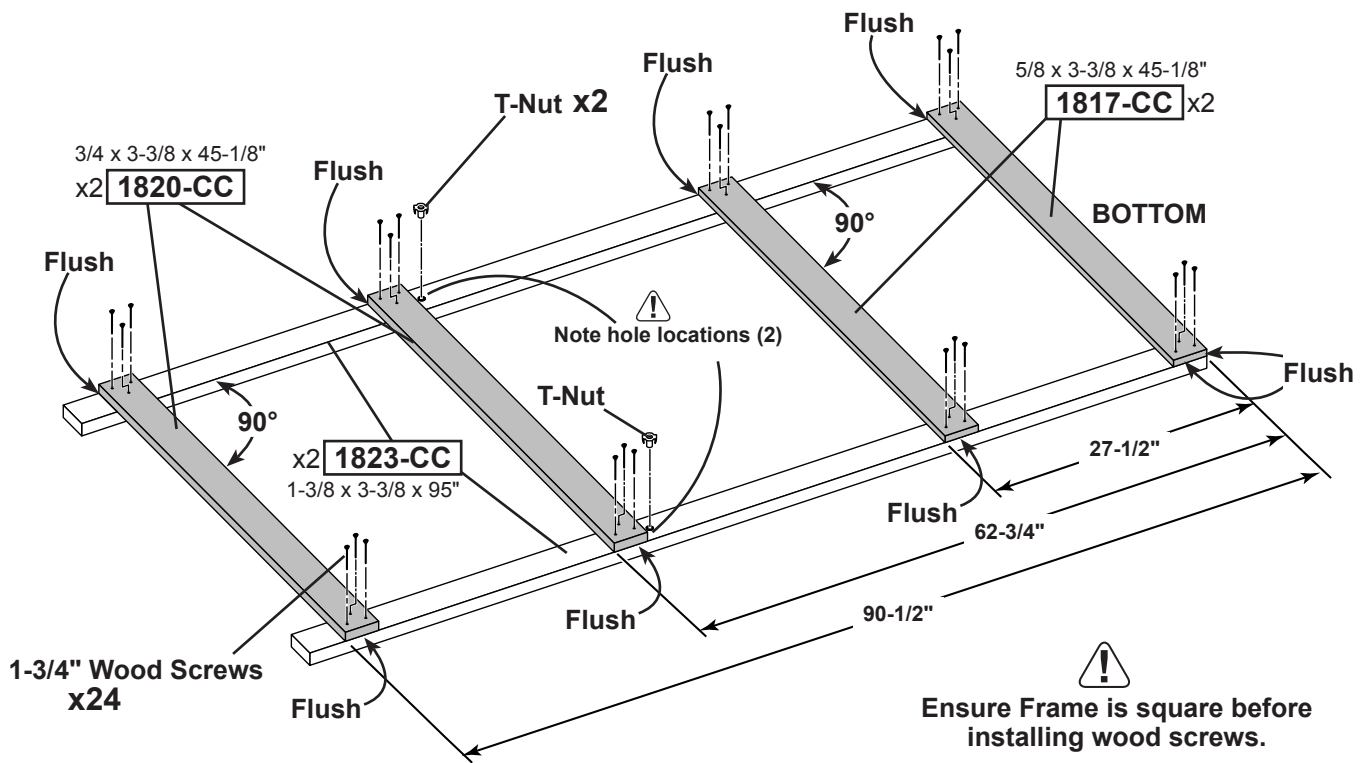


**WOOD SCREWS**



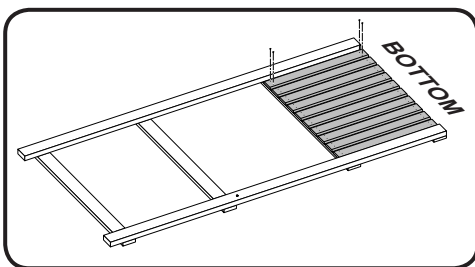
# FRAME

# ASSEMBLE

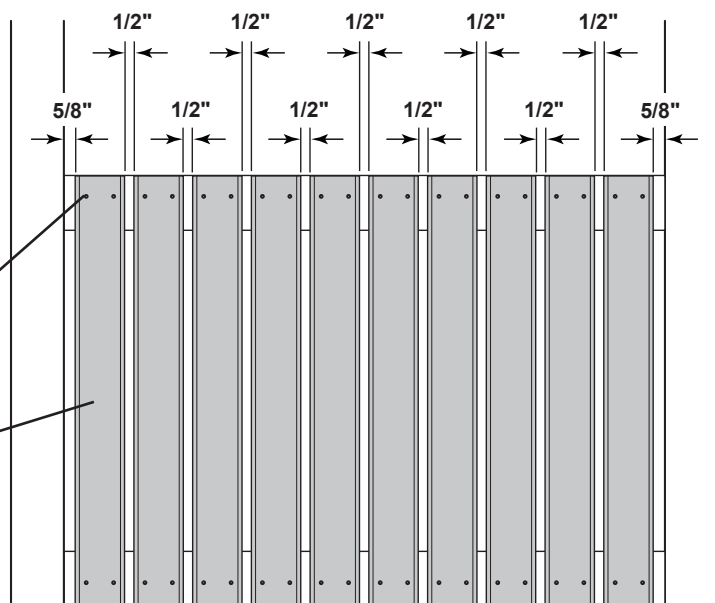


# BALUSTERS

# INSTALL



Space all Balusters 1/2" apart.  
End balusters 5/8" from frame uprights.



**30 mm Wood Screws** (x40)

**2873-CC** (x10): 5/8 x 3-1/4 x 27-1/2"



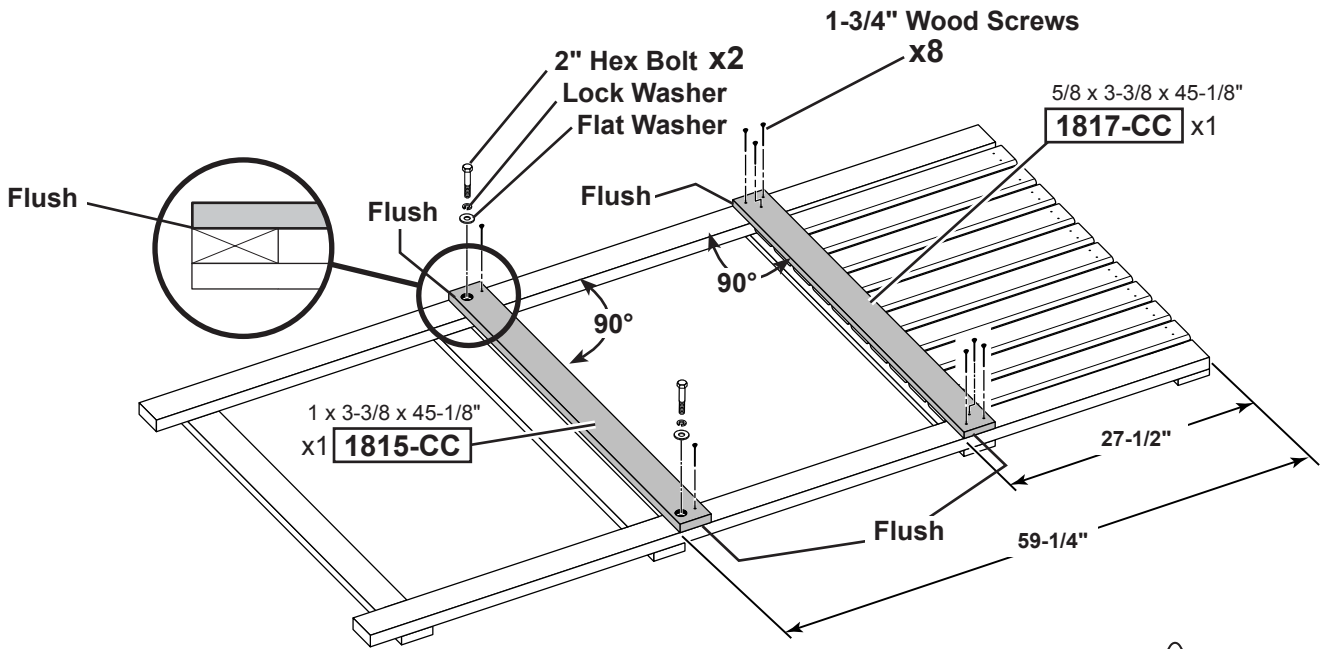
Ensure Balusters are evenly spaced installing wood screws.

Flush along bottom



# SIDE RAILS

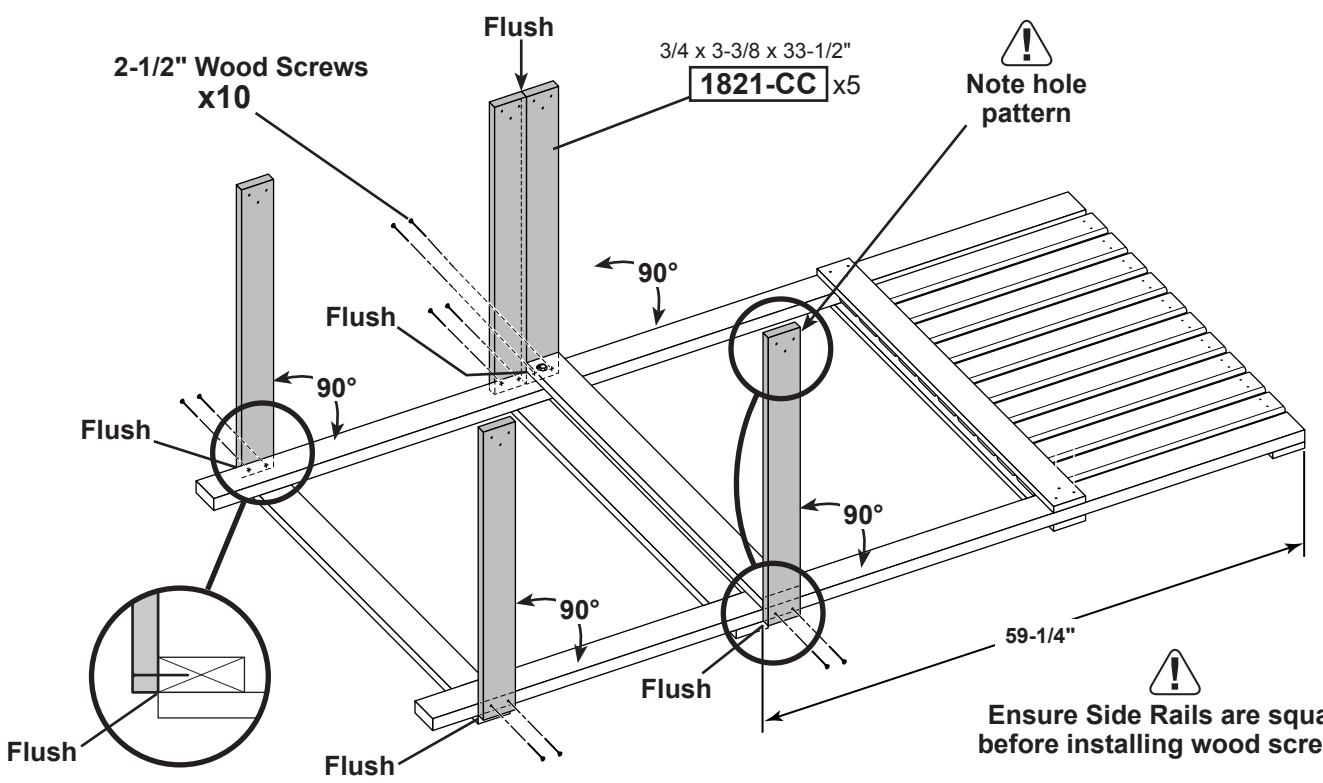
# INSTALL



 Ensure Side Rails are square before installing fasteners.

# SIDE RAILS

# INSTALL



 Ensure Side Rails are square before installing wood screws.

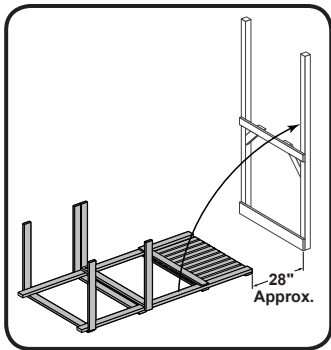
# TERRACE

# ASSEMBLE

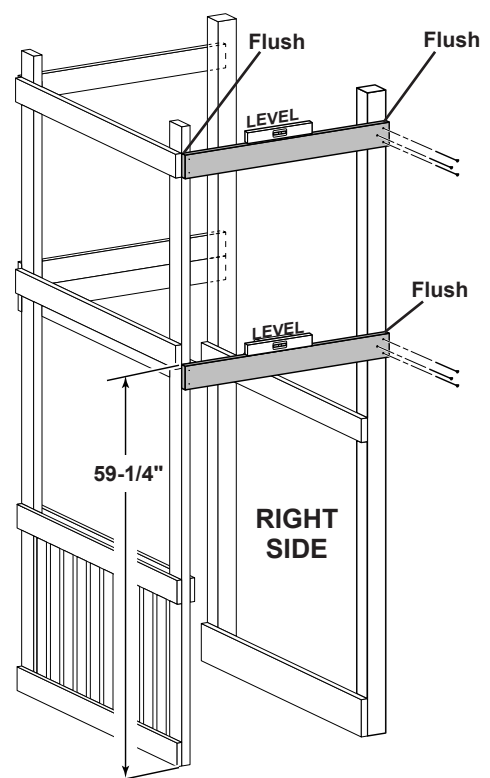
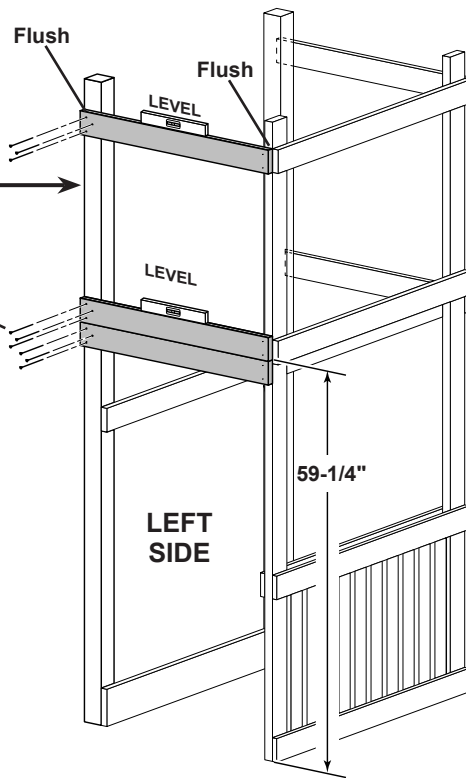
 Ensure side rails are level before installing wood screws.

Attach Terrace to playset tower frame.

2-1/2" Wood Screws x15

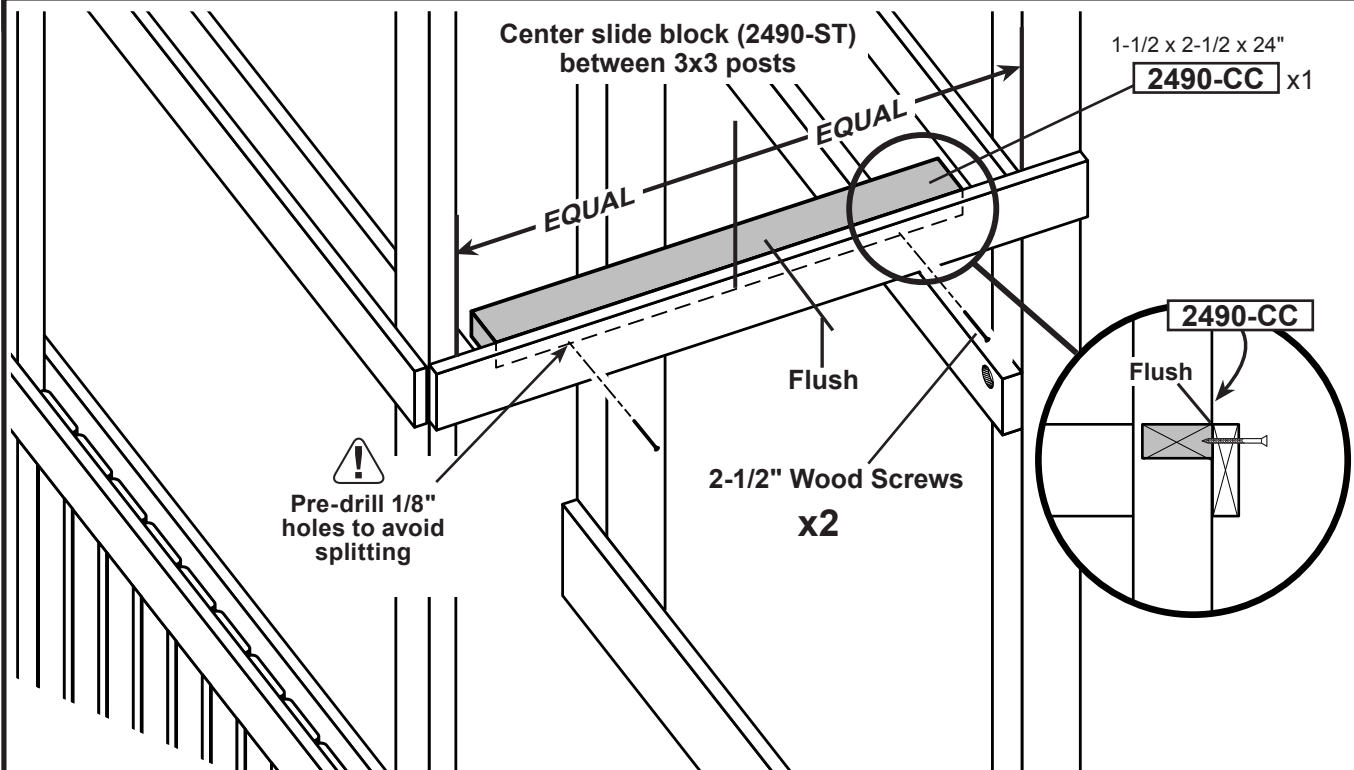


TILT FRAME UP TO INSTALL TERRACE



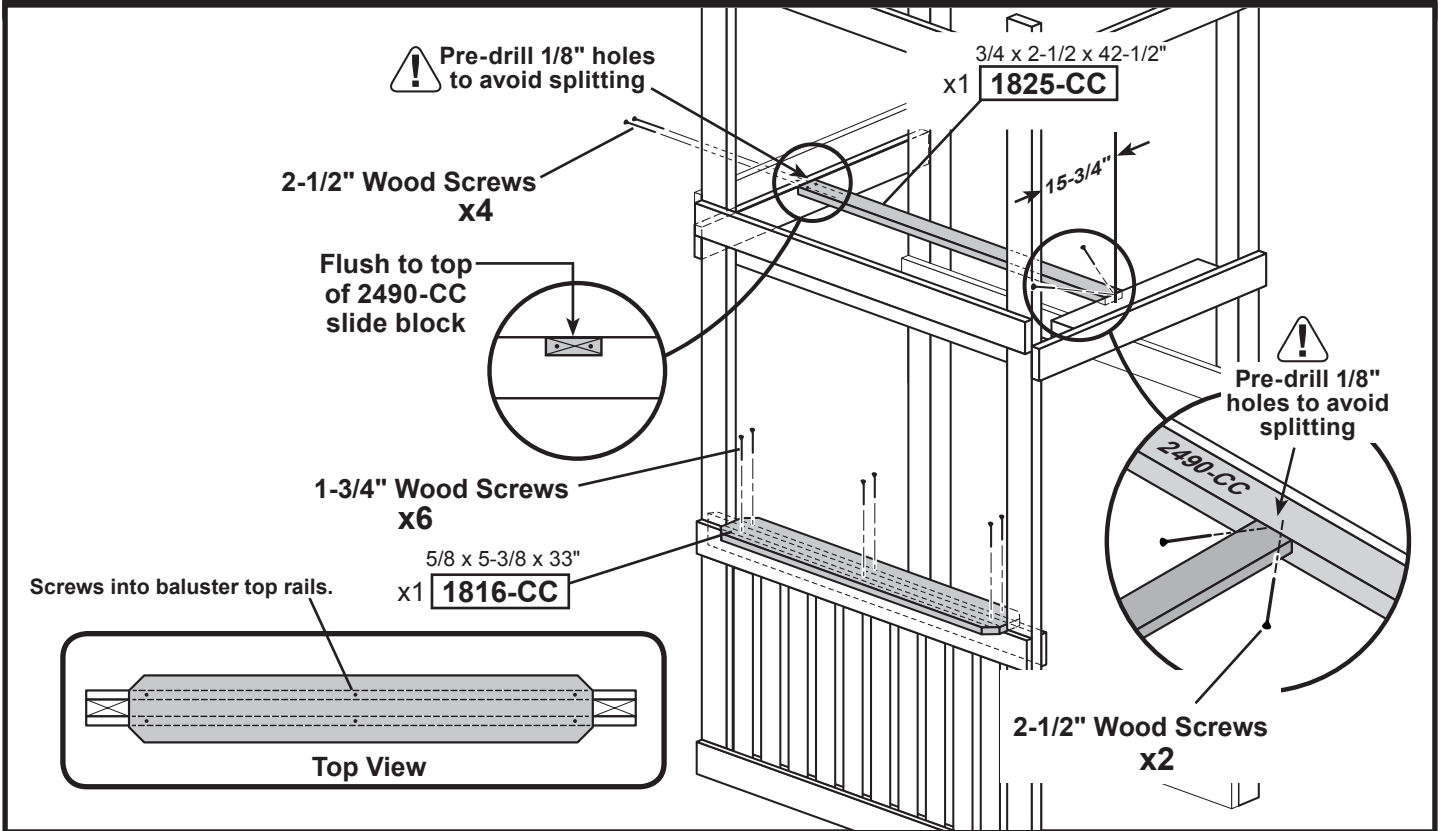
# SLIDE SUPPORT

# INSTALL



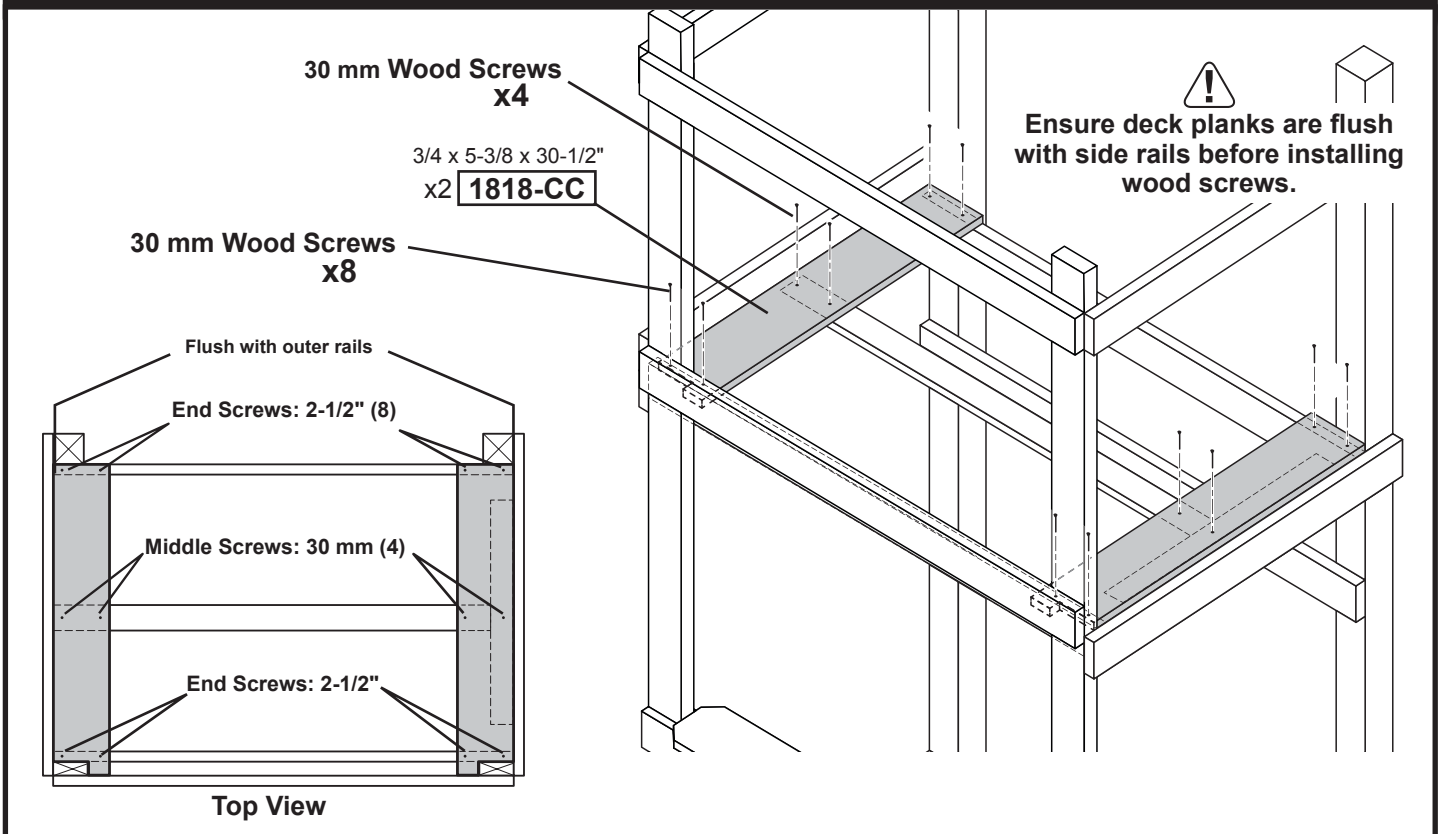
# DECK SUPPORT & BAR TOP

# INSTALL



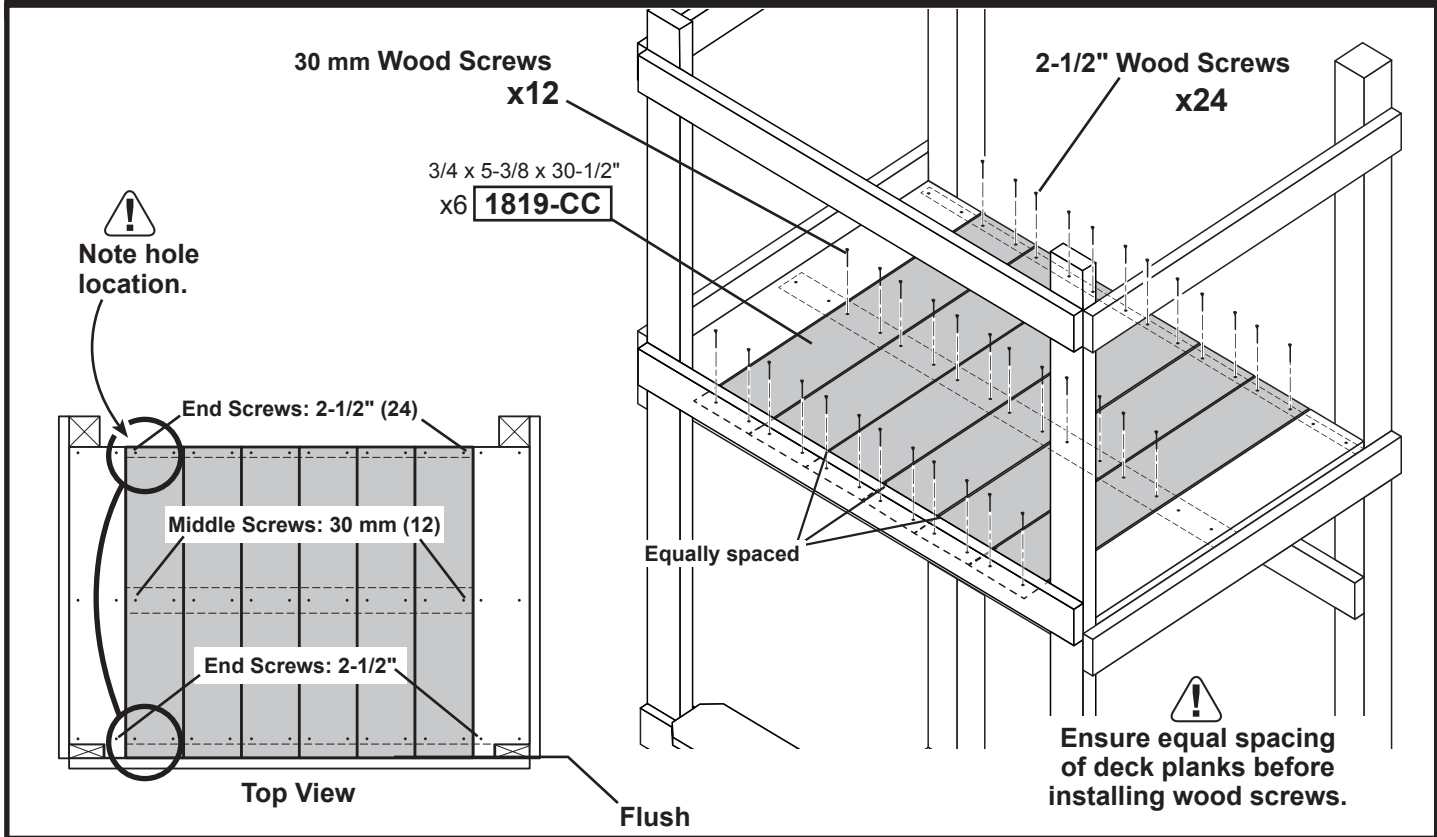
# DECK PLANKS

# INSTALL



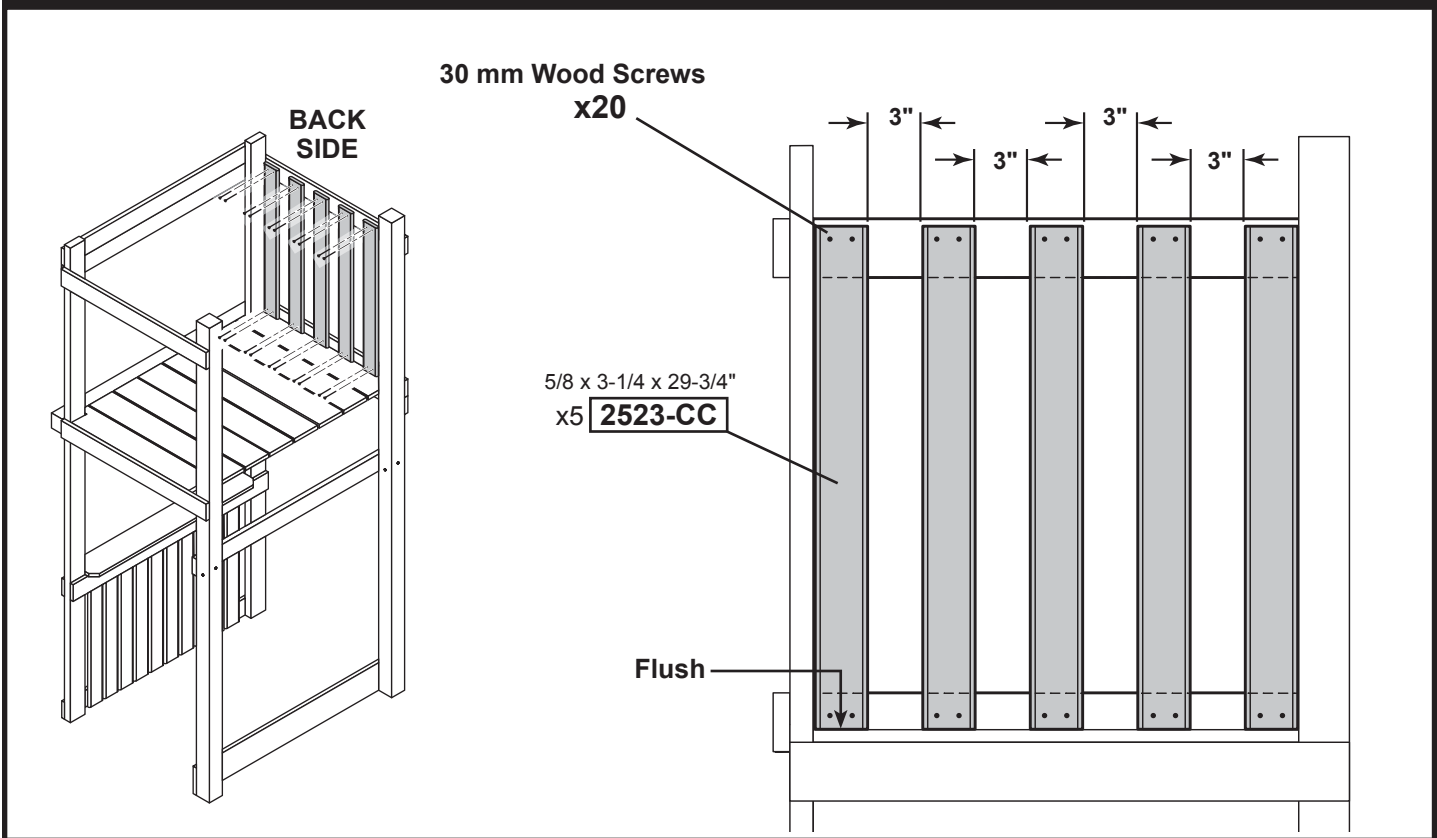
# DECK PLANKS

# INSTALL



# TERRACE

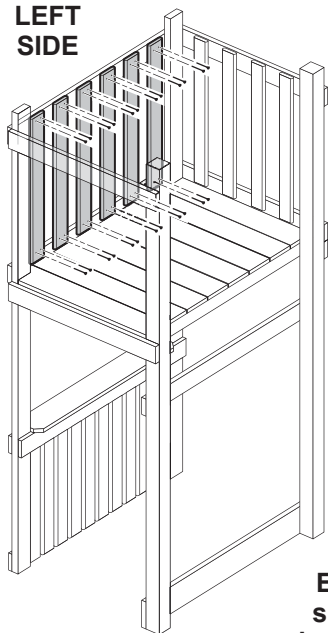
# BALUSTERS



# TERRACE

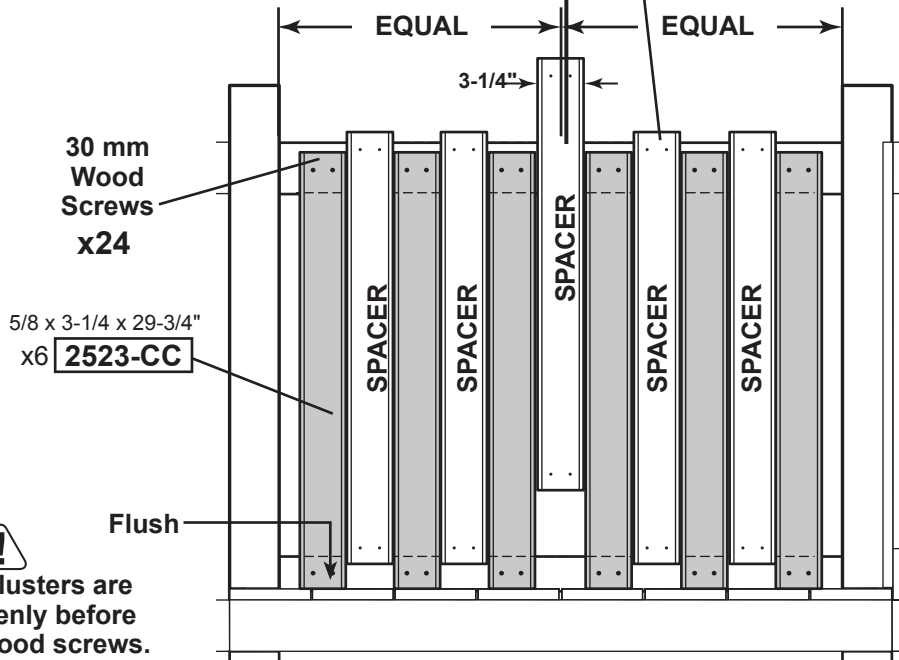
# BALUSTERS

LEFT SIDE



BEGIN MEASURING AT CENTER SPACER

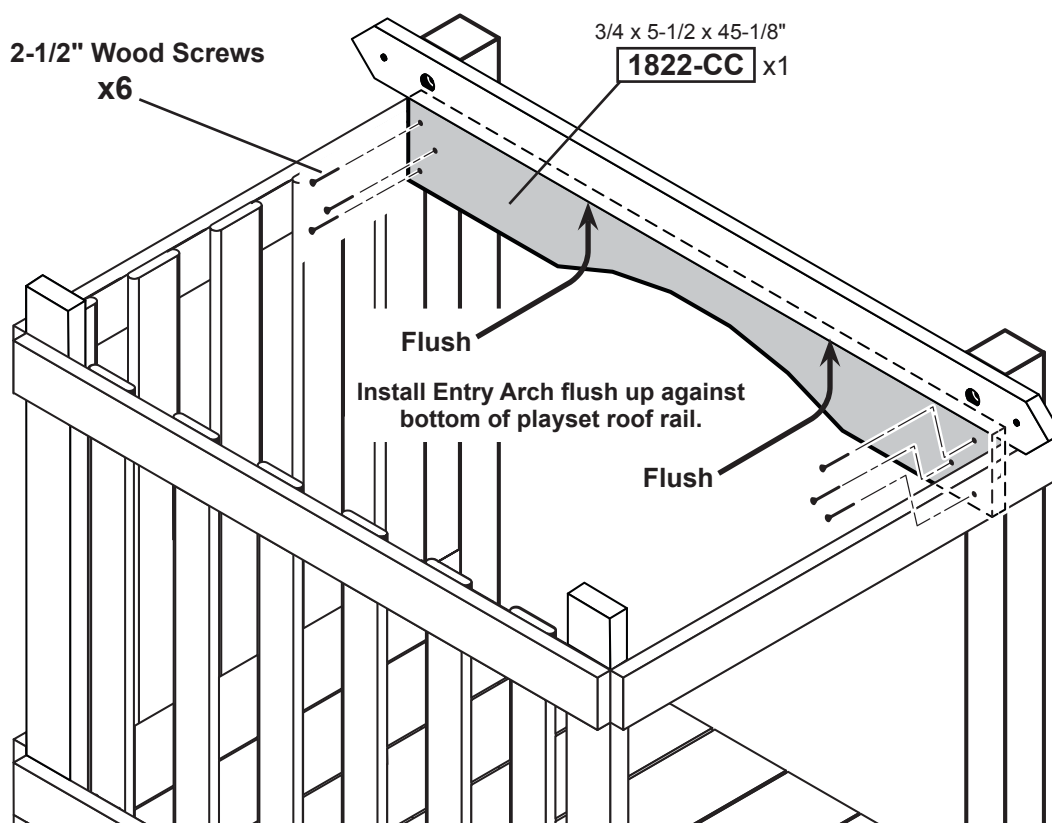
Use a baluster as a spacer to ensure correct baluster placement.



Ensure balusters are spaced evenly before installing wood screws.

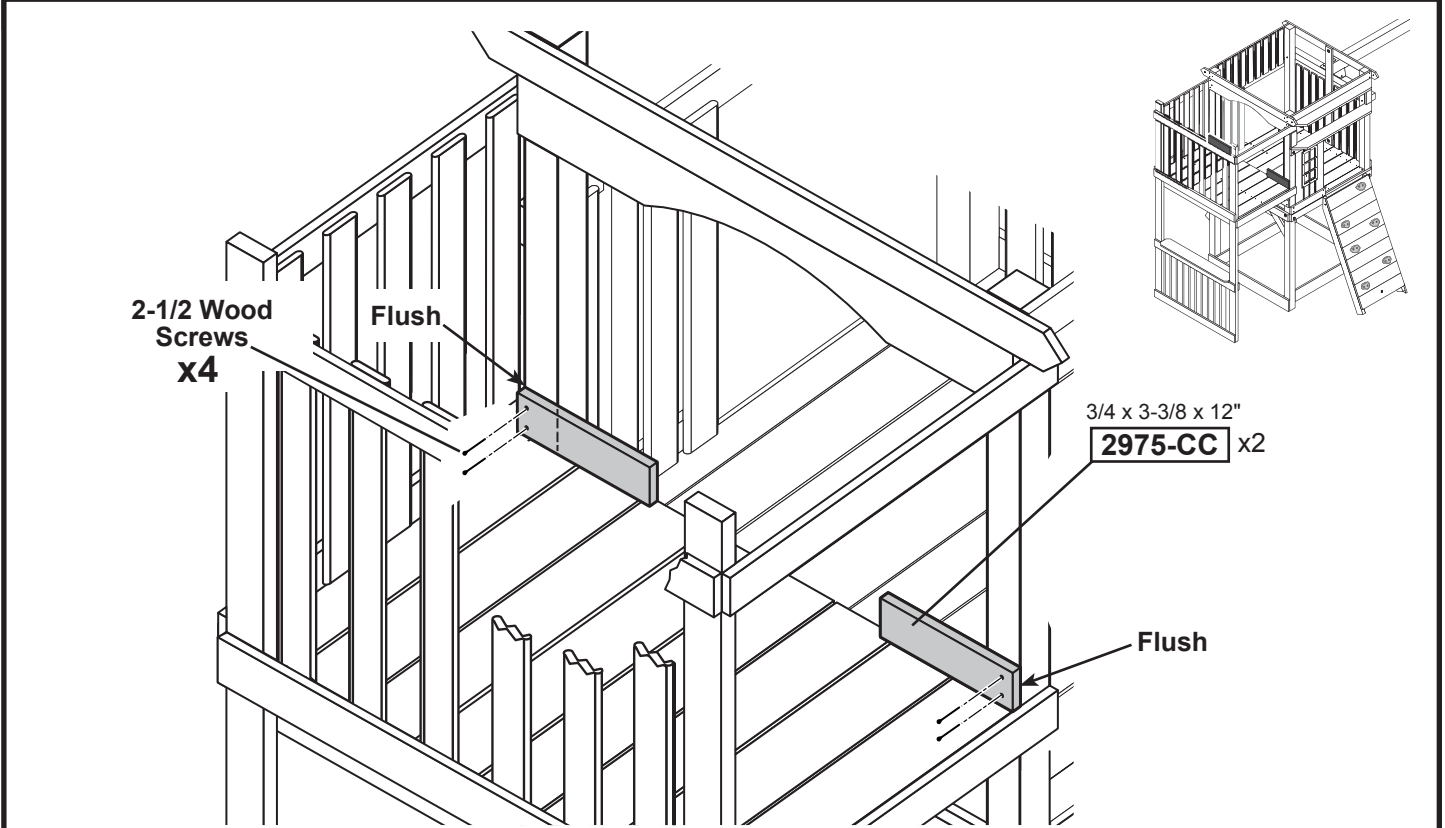
# TERRACE

# ENTRY ARCH



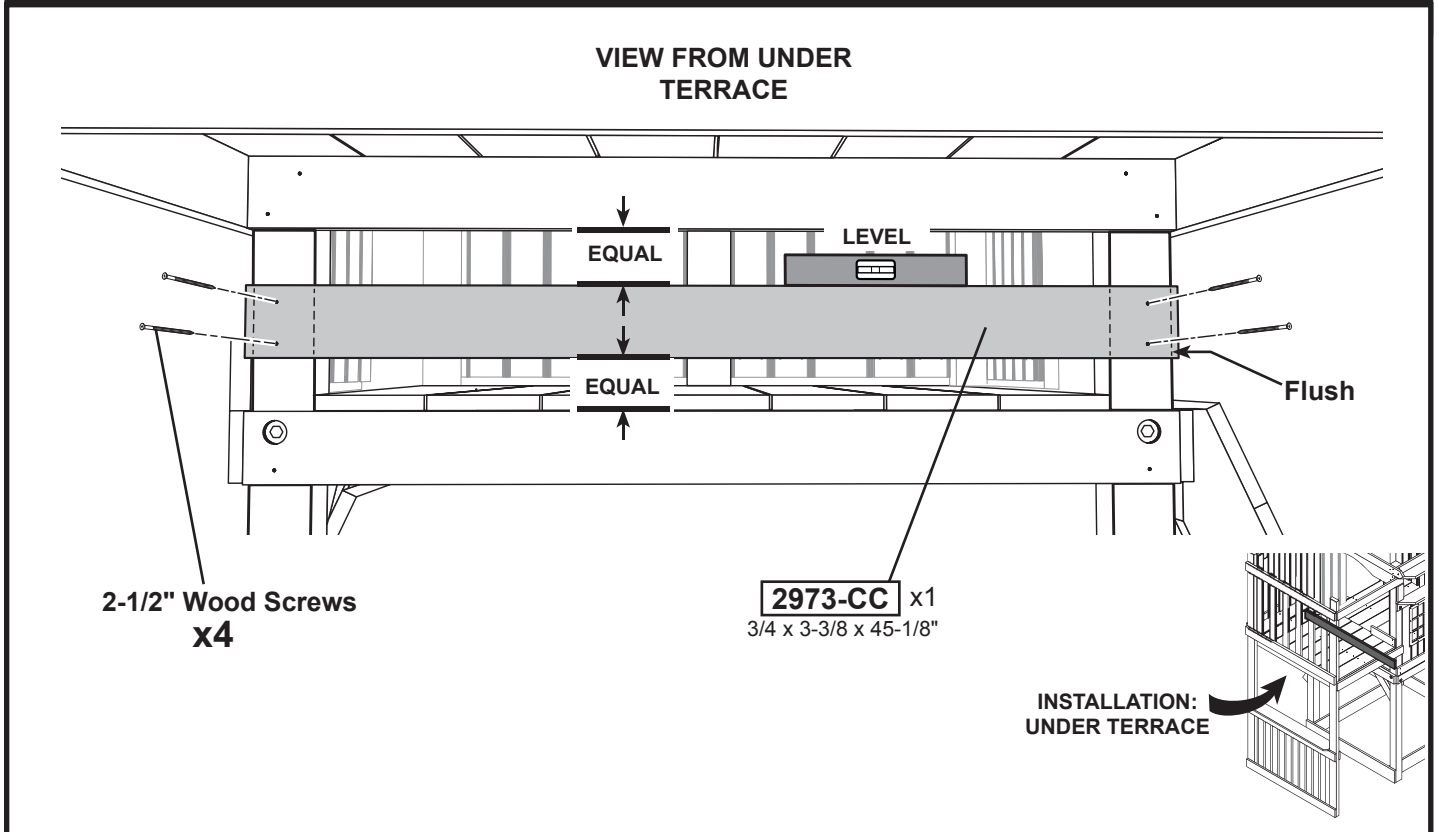
# FORT

# BALUSTER SUPPORTS



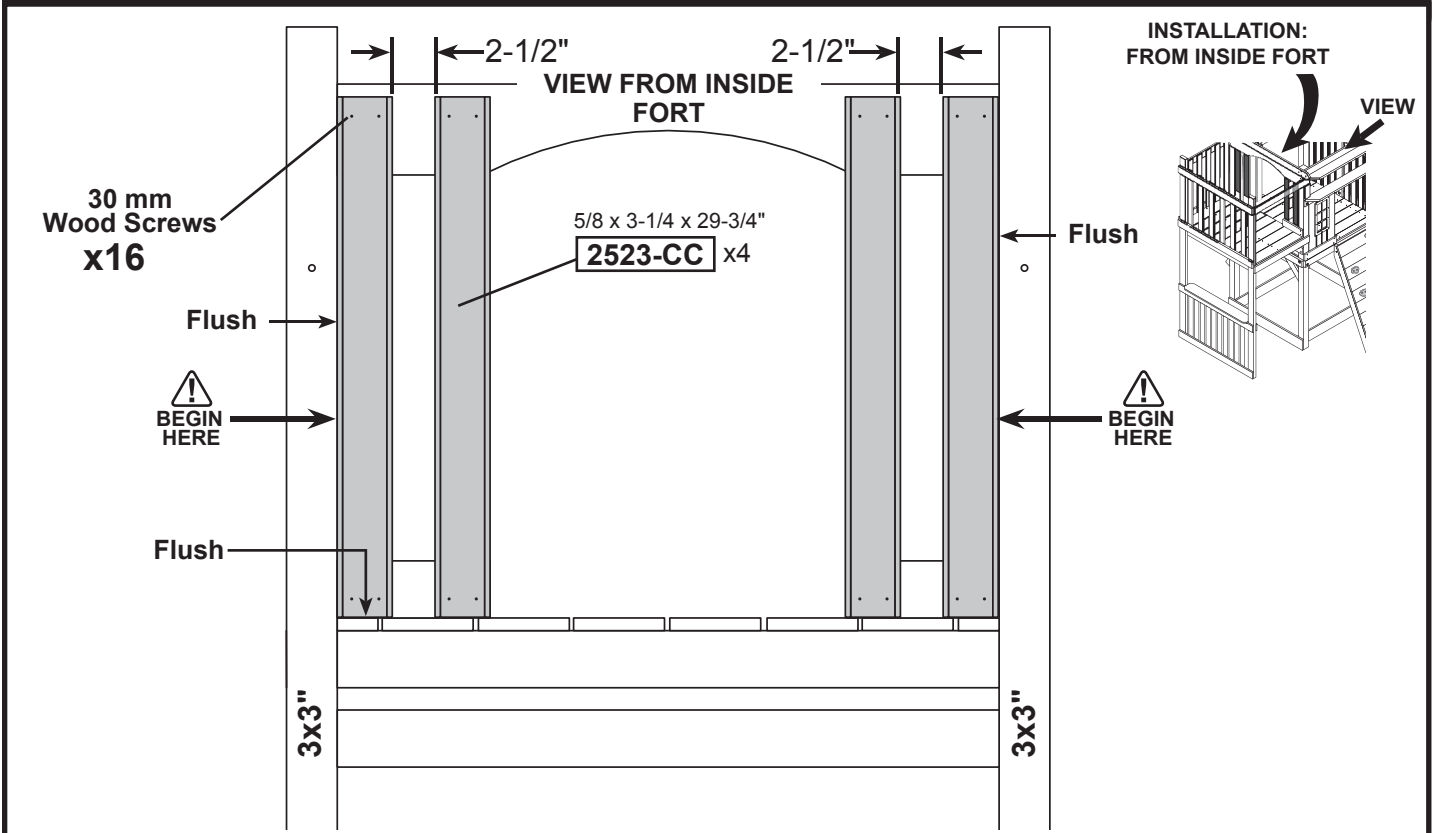
# FORT

# SAFETY BARRIER



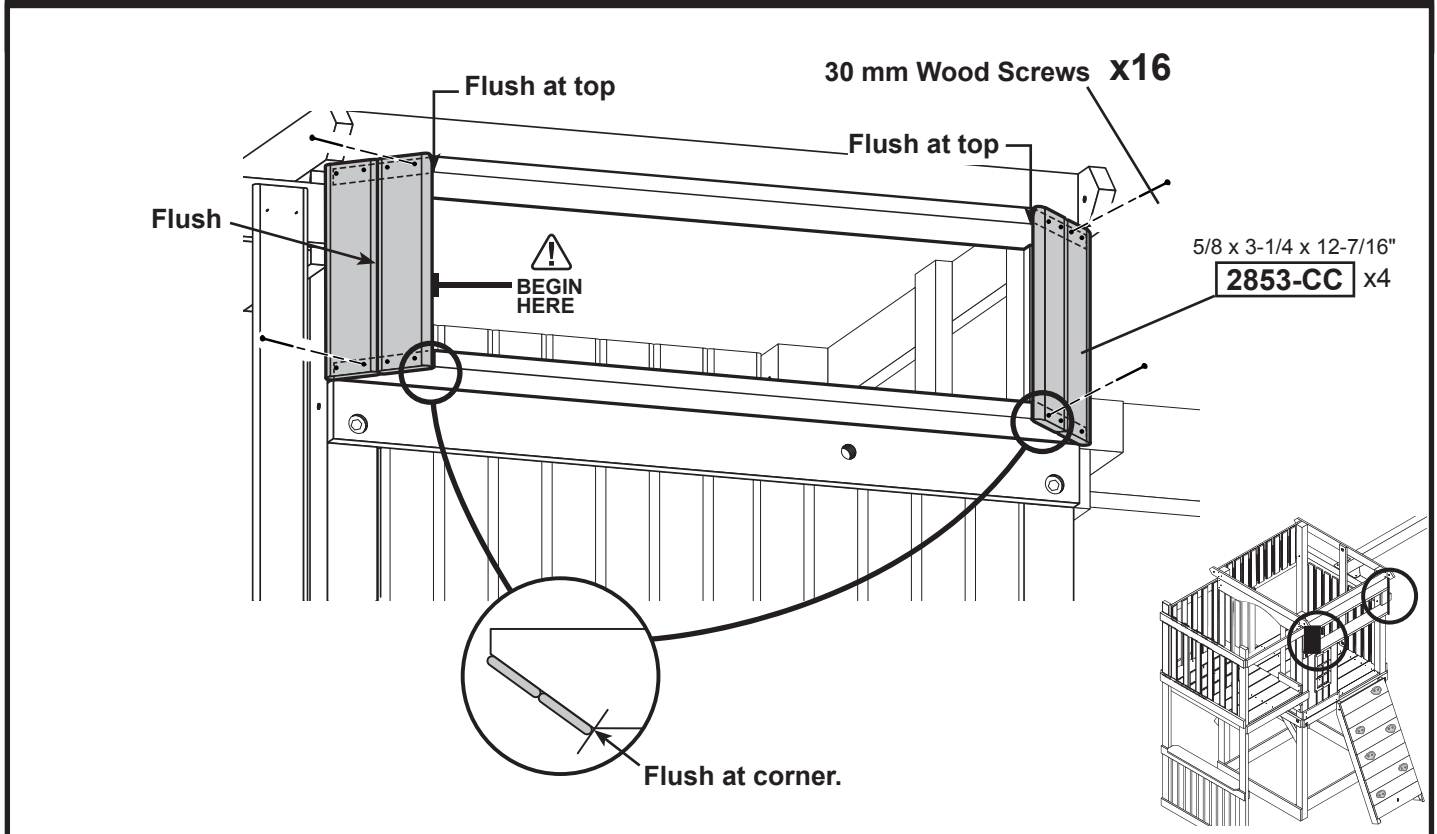
# FORT

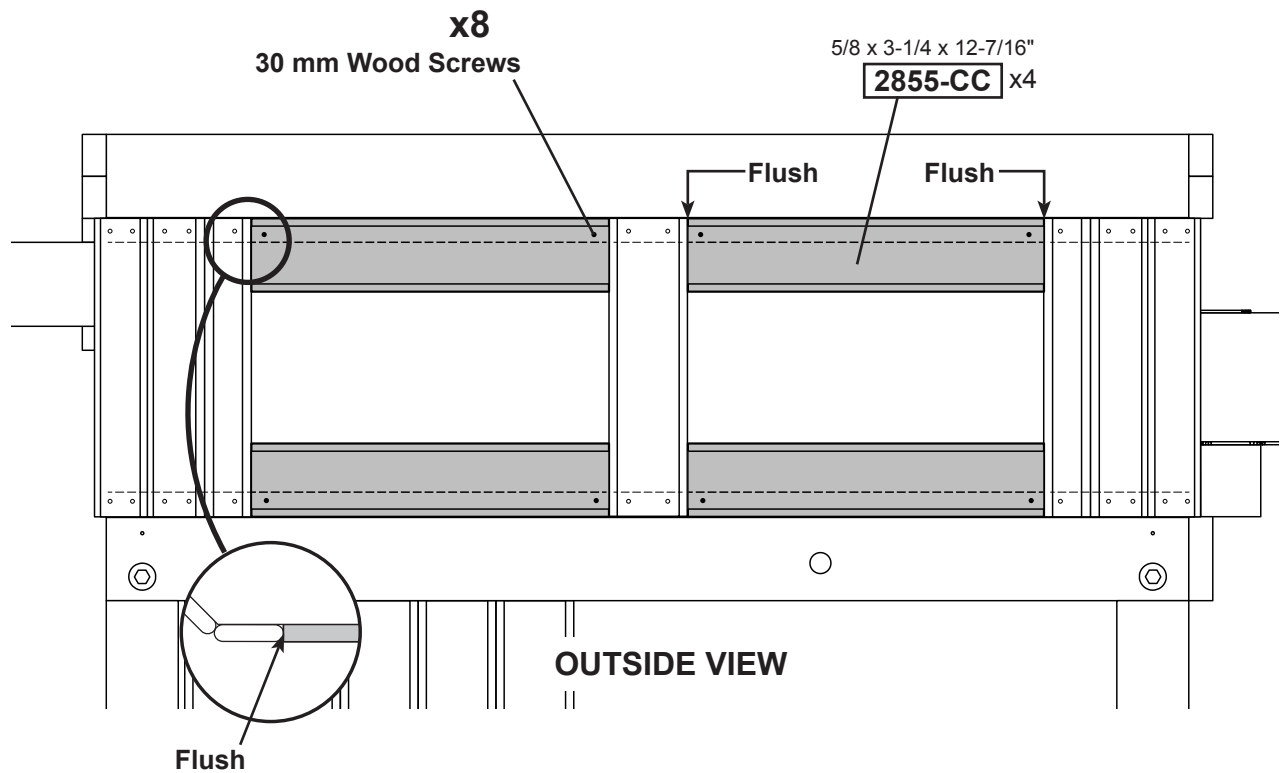
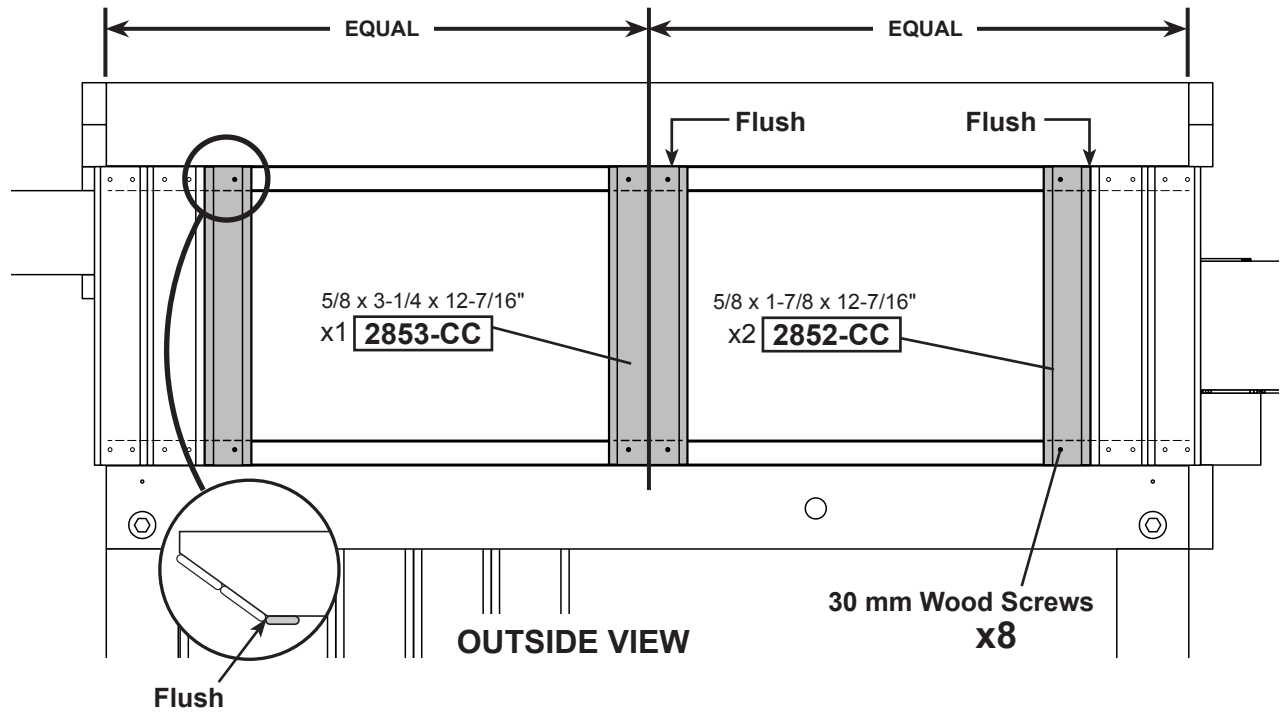
# BALUSTERS



# FORT

# BAY WINDOW

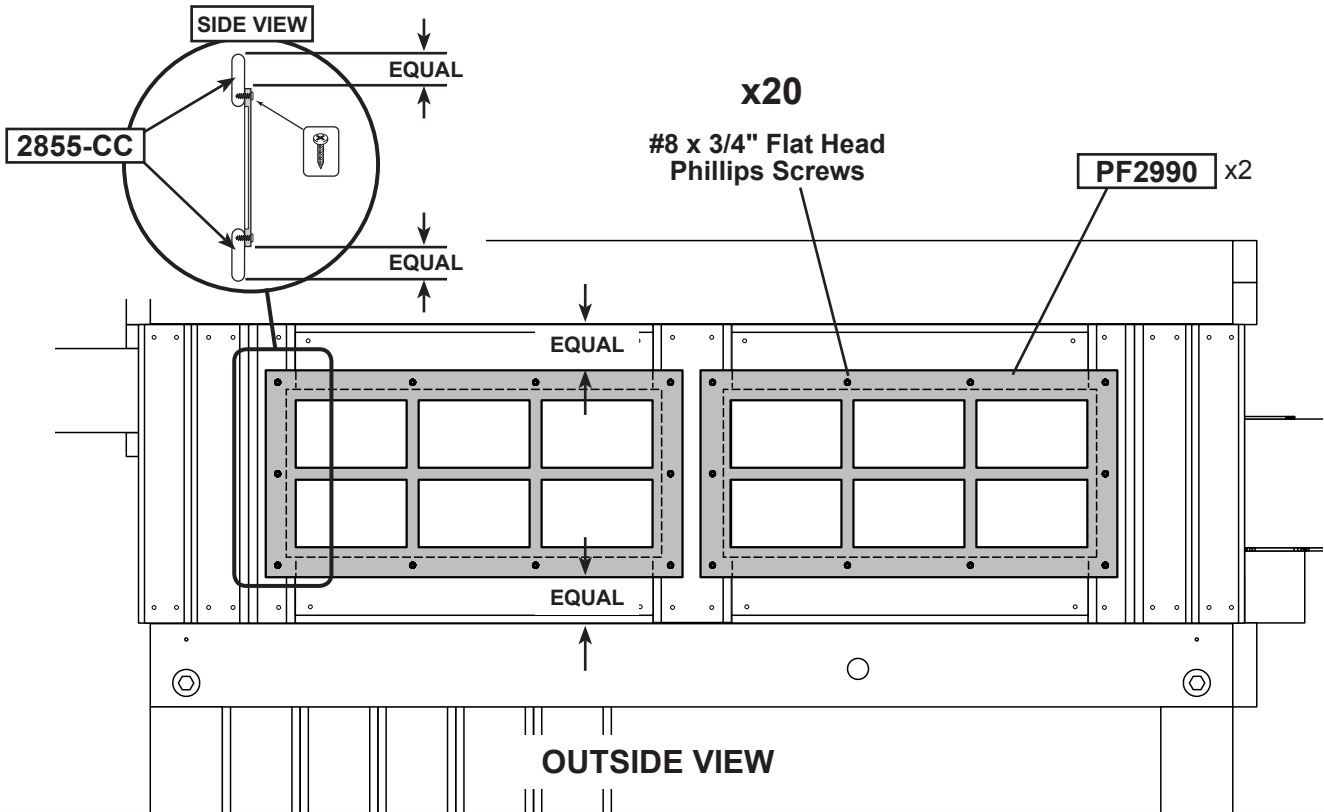






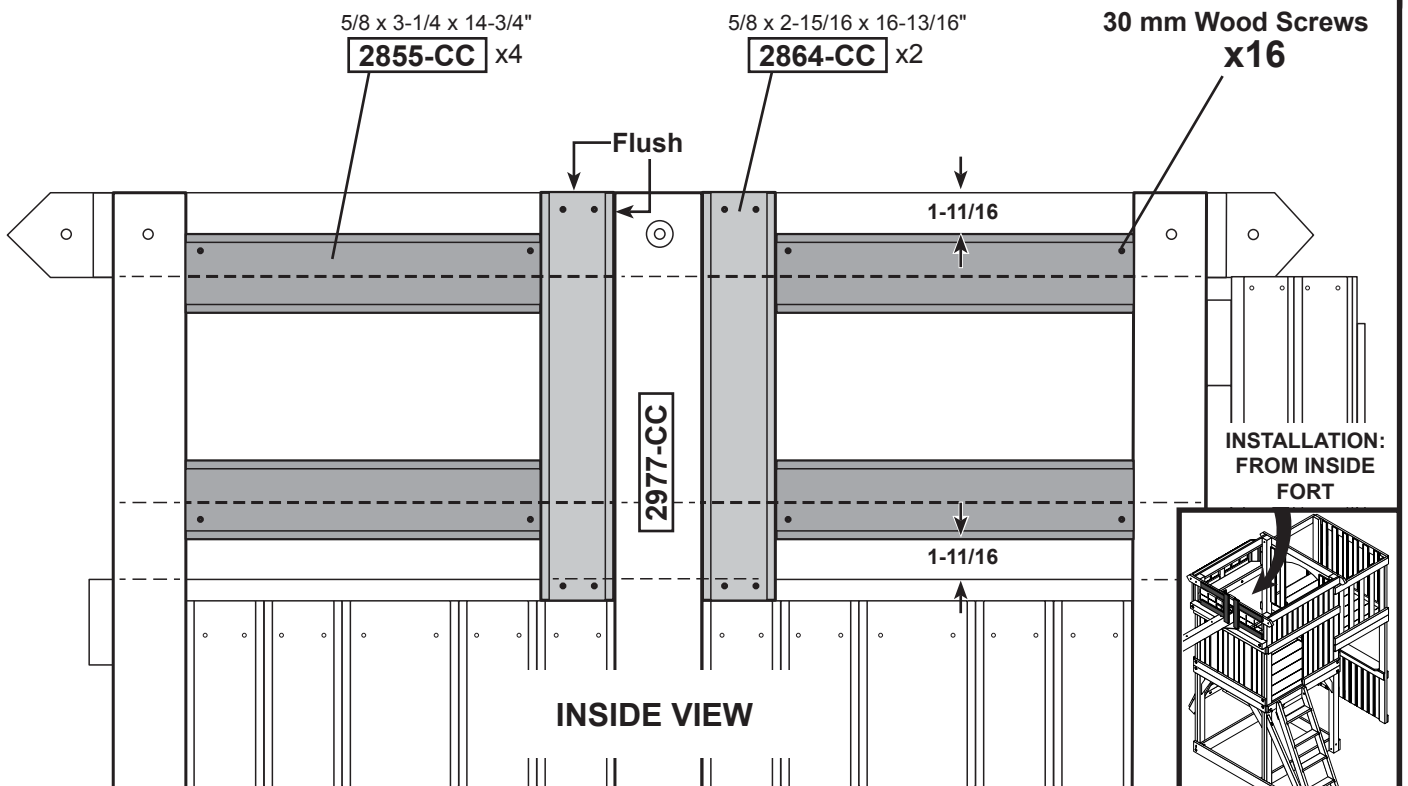
# FORT

# BAY WINDOW



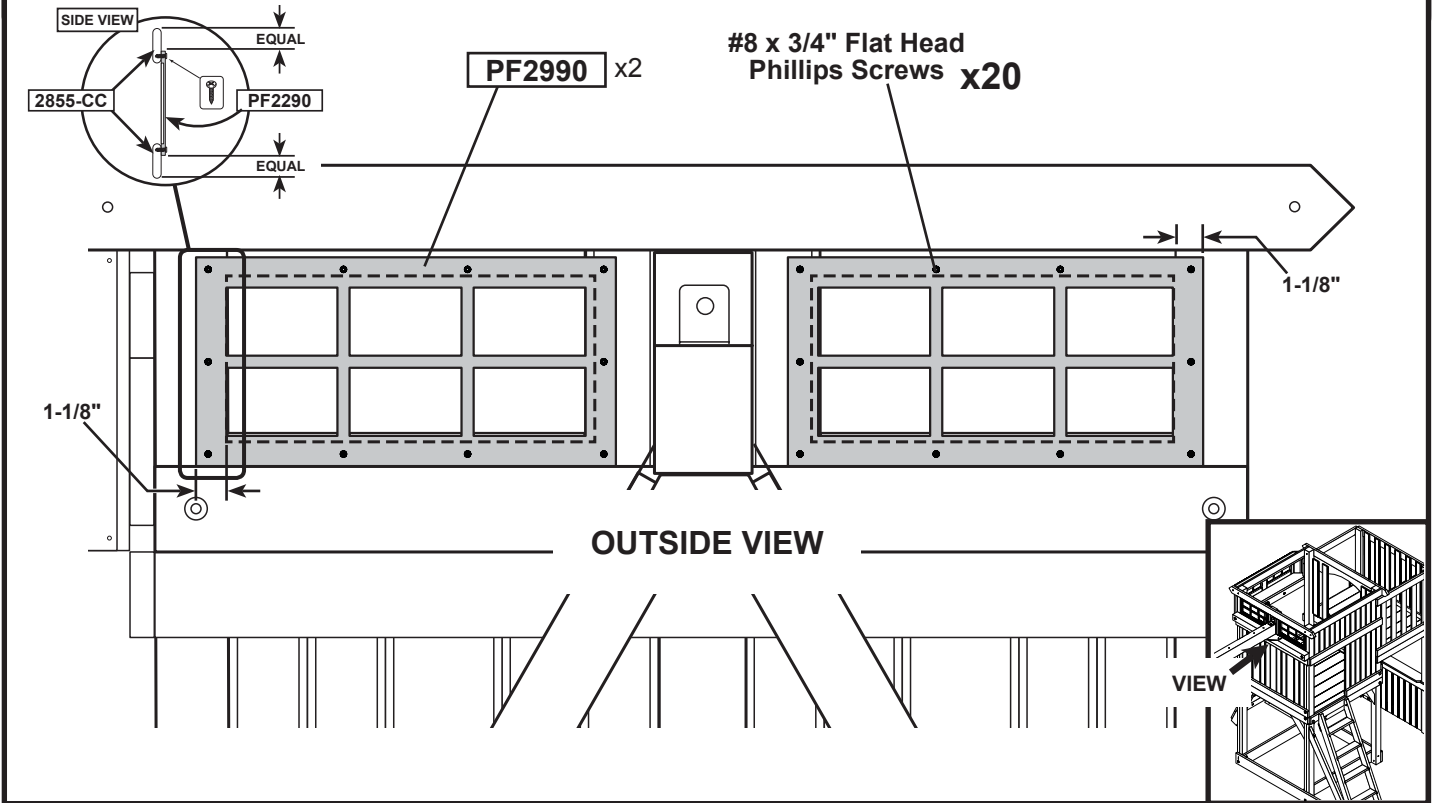
# FORT

# SWING BEAM SIDE WINDOWS



# FORT

# SWING BEAM SIDE WINDOWS



# ROOF

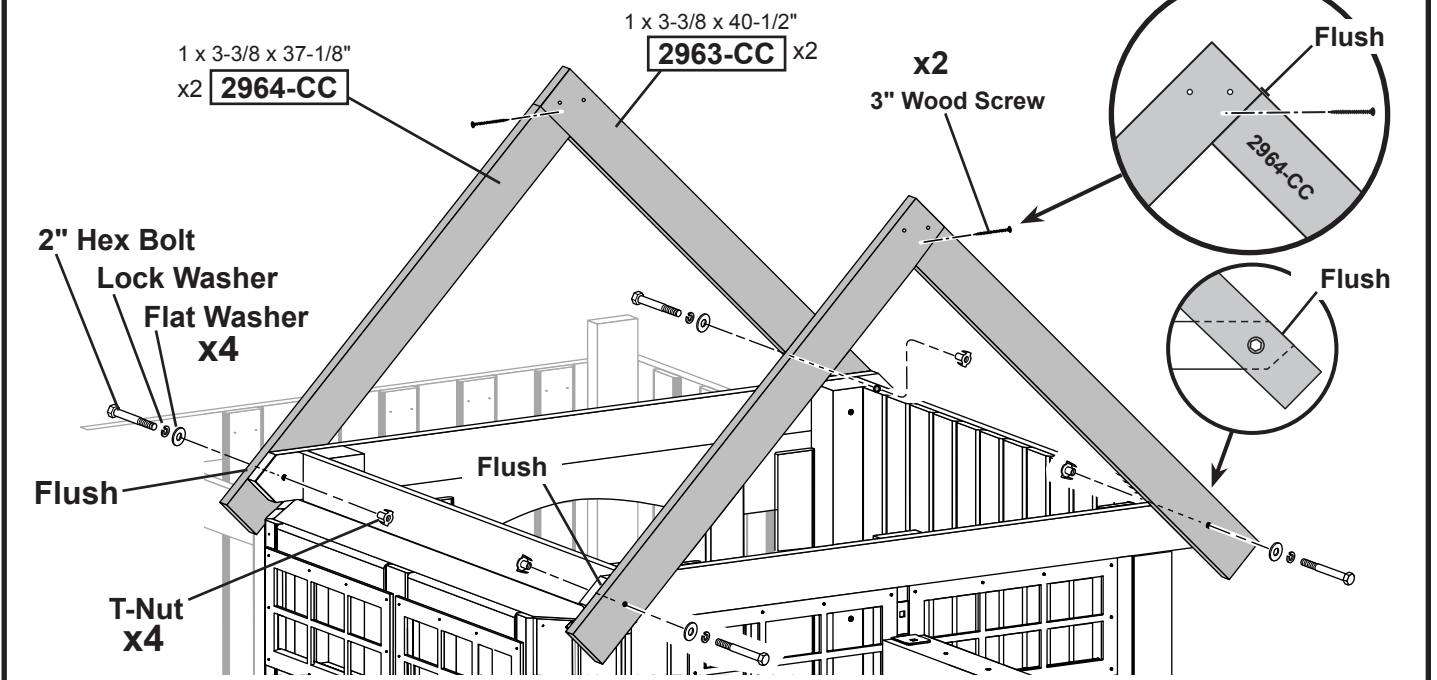
# FRAME



Orient 2963-CC so that pre-drilled holes at the top are horizontal. If the holes are not horizontal, rotate the board. Secure 2964-CC and 2963-CC using 3" screws.

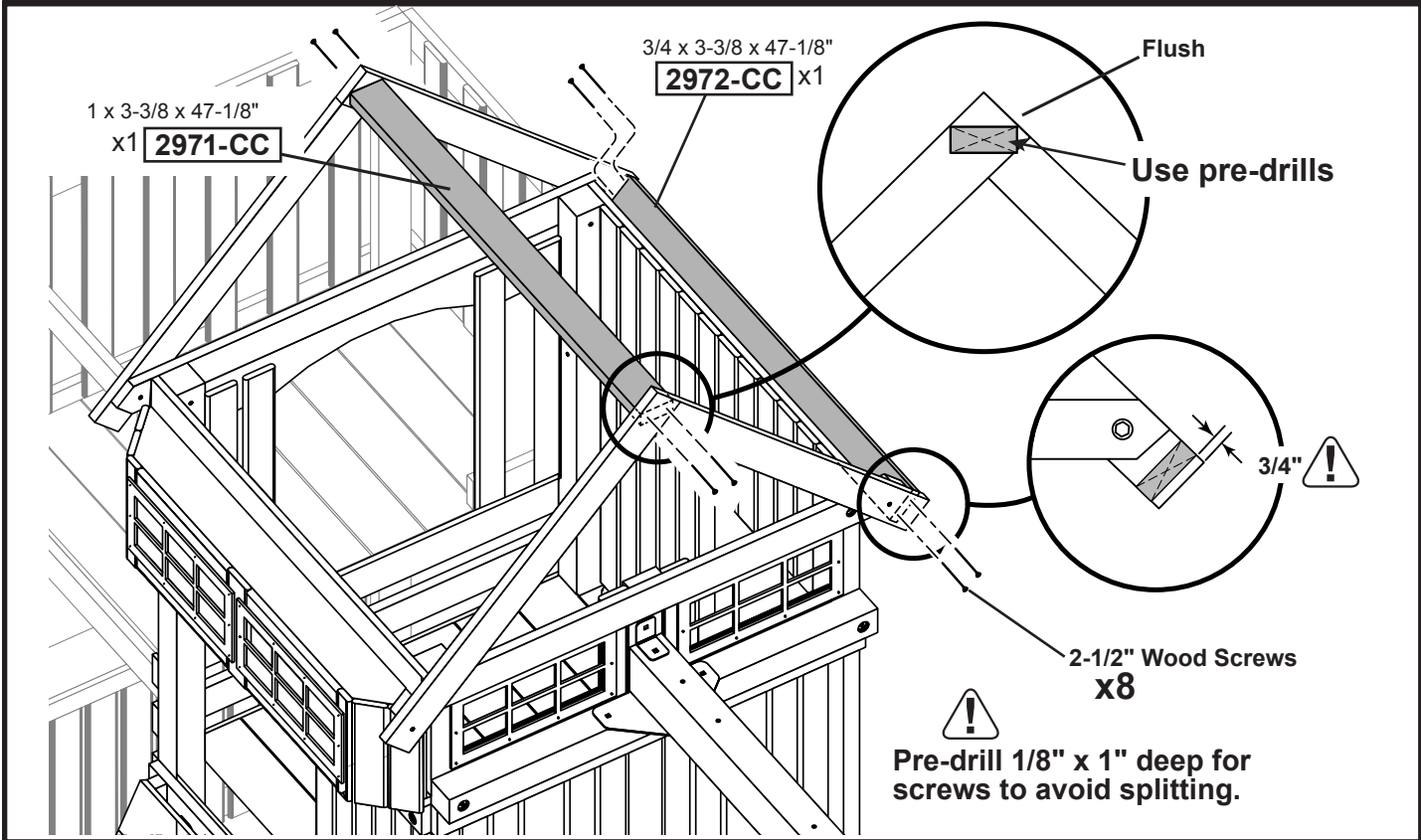


Look for Pre-Drill at end of 2963-CC



# ROOF

# FRAME



# ACCESSORIES



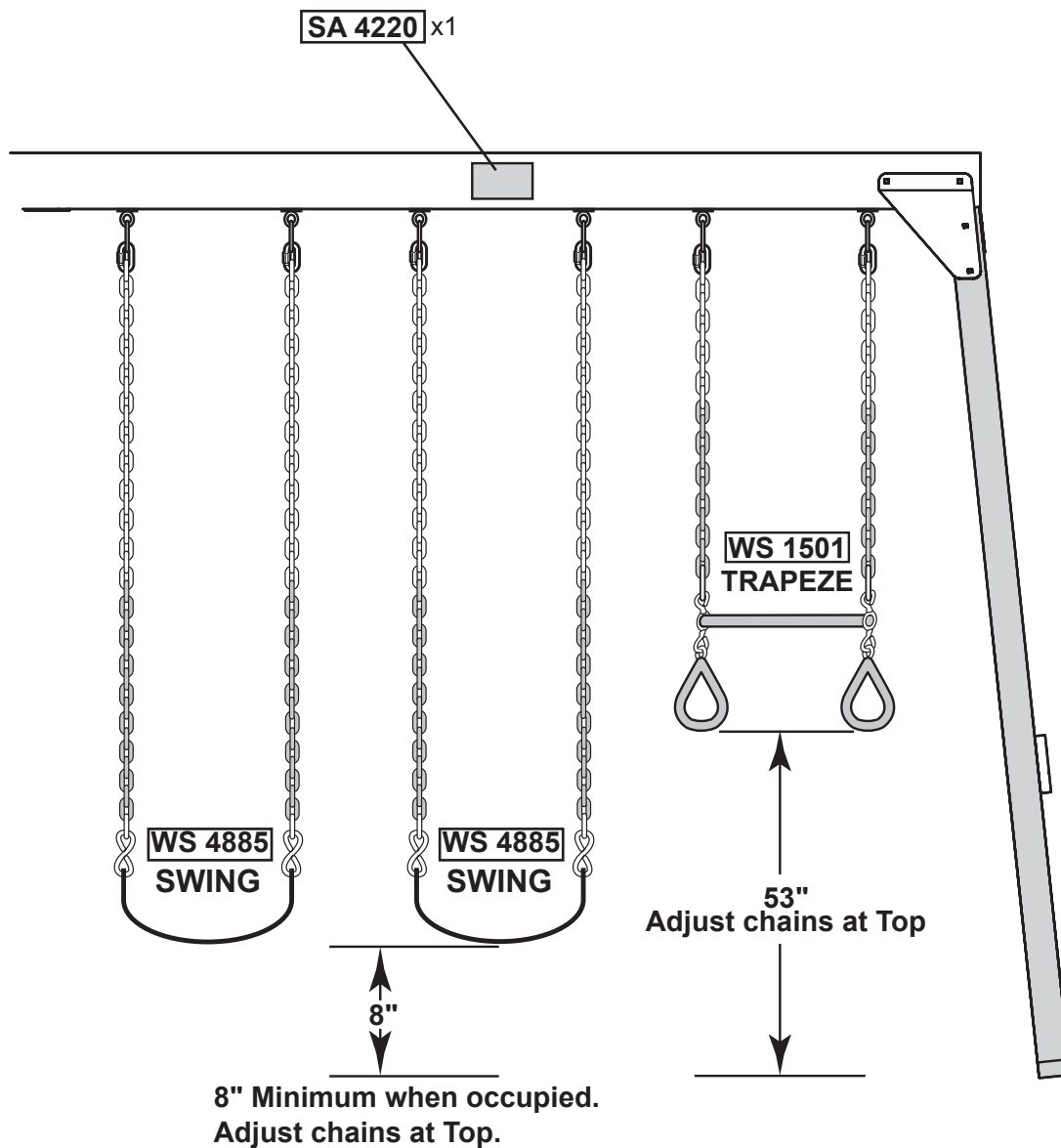
# NOTICE



**INSTALL THE WOOD ROOF ON YOUR PLAYSET AT THIS TIME.**

**REFER TO THE WOOD ROOF MANUAL FOR INSTALLATION.**

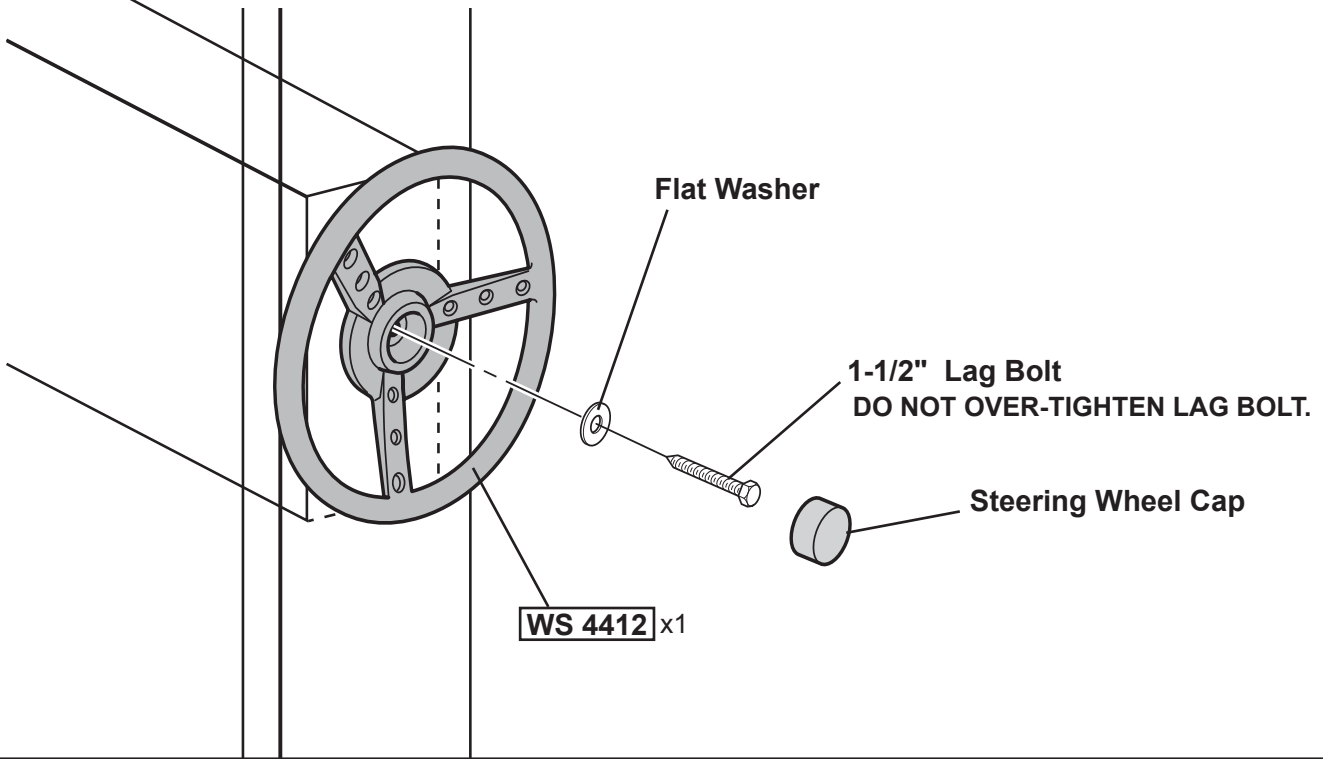
Attach Playset Plaque using one 1" philips head screw (provided) at each corner of plaque.



# STEERING WHEEL

# INSTALL

Install WS 4412 inside fort.

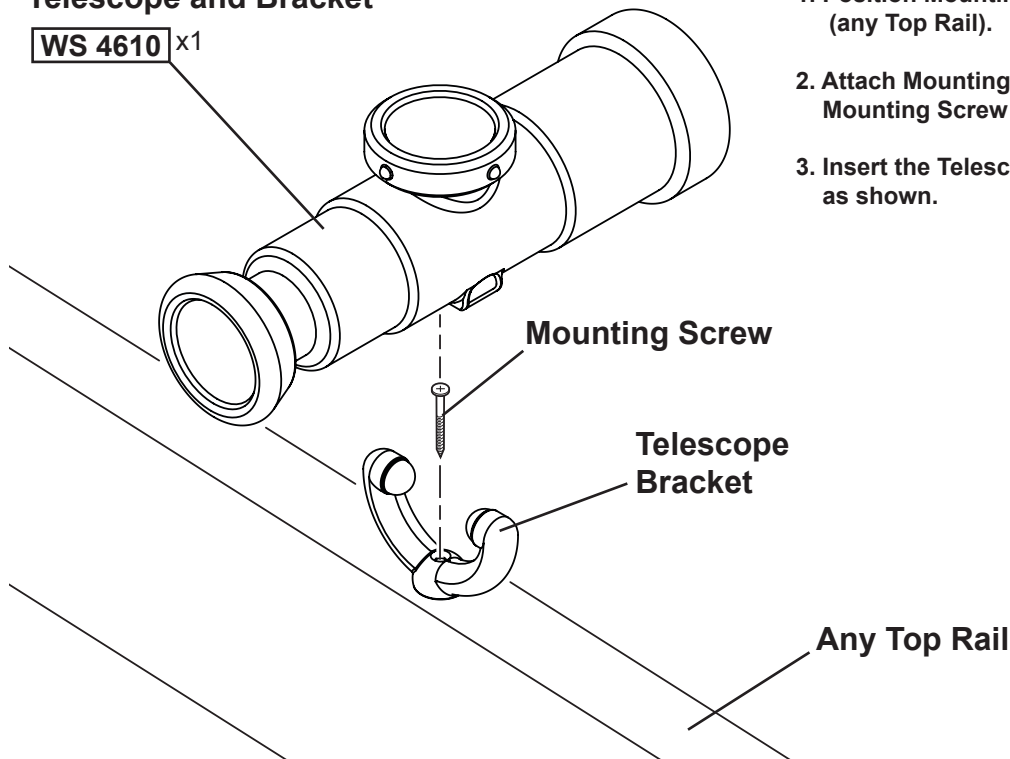


# TELESCOPE

# INSTALL

Telescope and Bracket

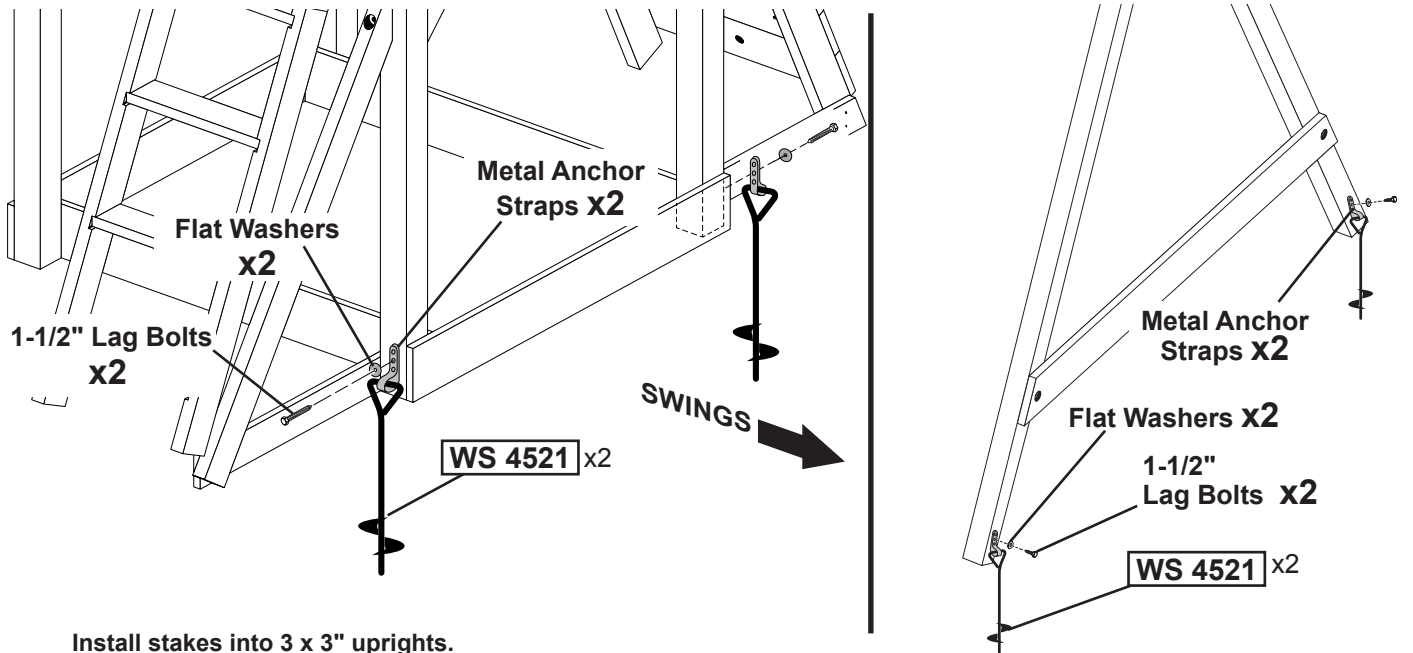
WS 4610 x1



1. Position Mounting Bracket in desired location (any Top Rail).
2. Attach Mounting Bracket to Top Rail using the Mounting Screw provided.
3. Insert the Telescope into the Mounting Bracket as shown.

# FORT

# STAKES

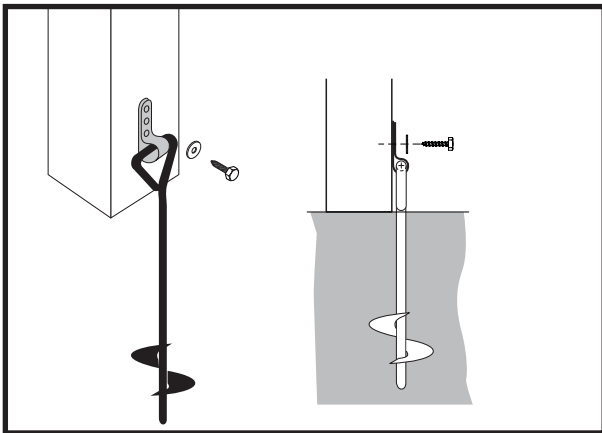


Install stakes into 3 x 3" uprights.  
Locate stakes as shown.

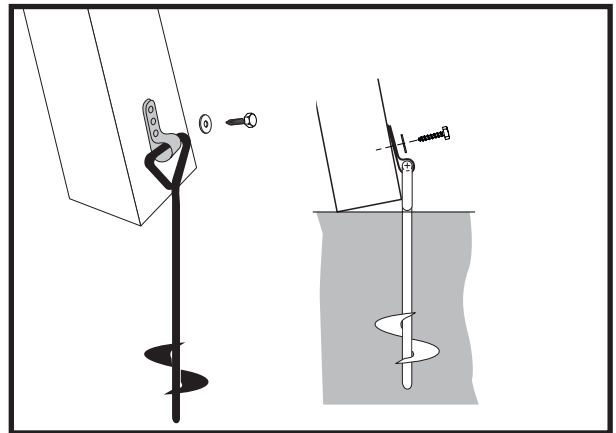
Make sure all base pieces and uprights  
are resting flat on the ground.

It may be necessary to loosen the soil  
beneath Playset to make everything level.

## TOWER UPRIGHT

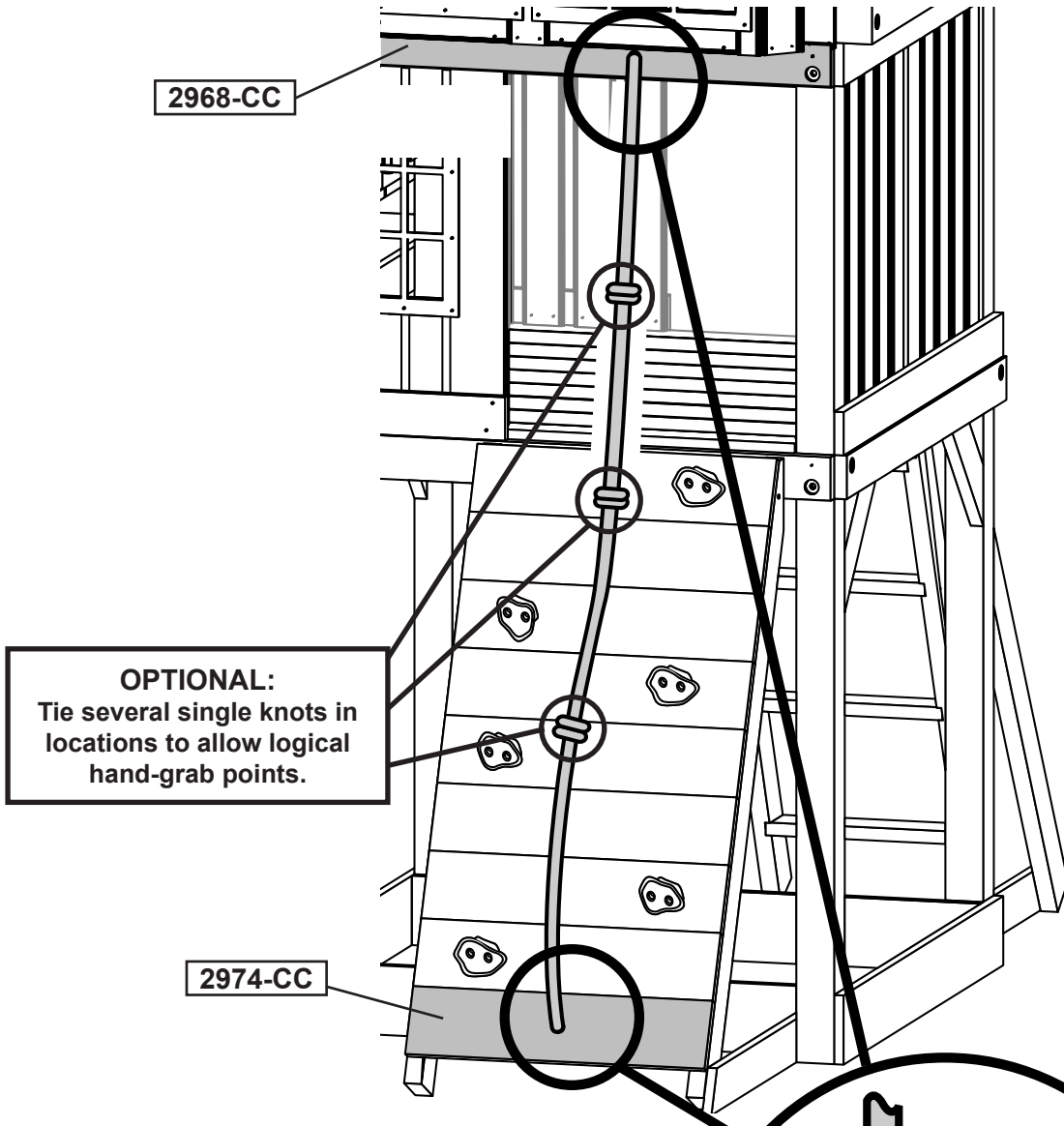


## A FRAME



### Instructions for anchoring your playset product to the ground.

1. Determine the final location of your playset product.
2. Place the Anchor Stakes adjacent to the base and near the corners of your playset product (at the bottom of the legs on swing sets) and twist the auger-style Anchor Stakes into the ground until only the loop is exposed.
3. Place the metal strap through the loop of the Anchor Stake and secure it to the unit with a lag screw and washer as shown.  
Note: Attach the strap to the unit with as little play as possible using whatever holes in the strap work the best.



**Step 1**

Feed top of Climbing Rope through front of Upper Rail (2968-CC) and tie a double knot on the back side (Fig. 1).

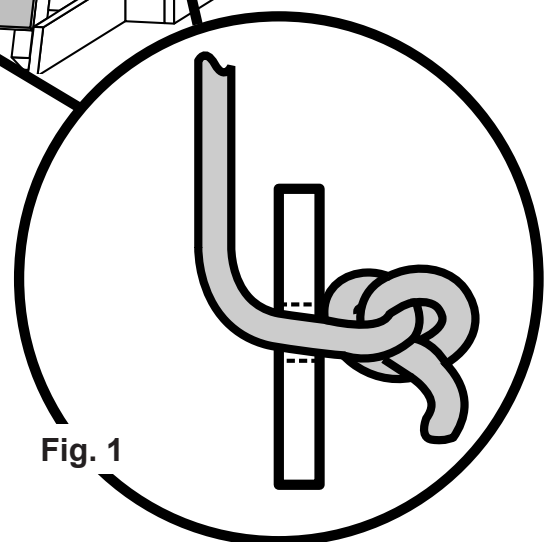
**Step 2**

Feed lower end of Climbing Rope through hole in Rock Wall board (2974-CC) and tie a double knot on the back side (Fig. 1).

*For Safety, insure that the rope is tight enough so that it can not be looped back on itself.*

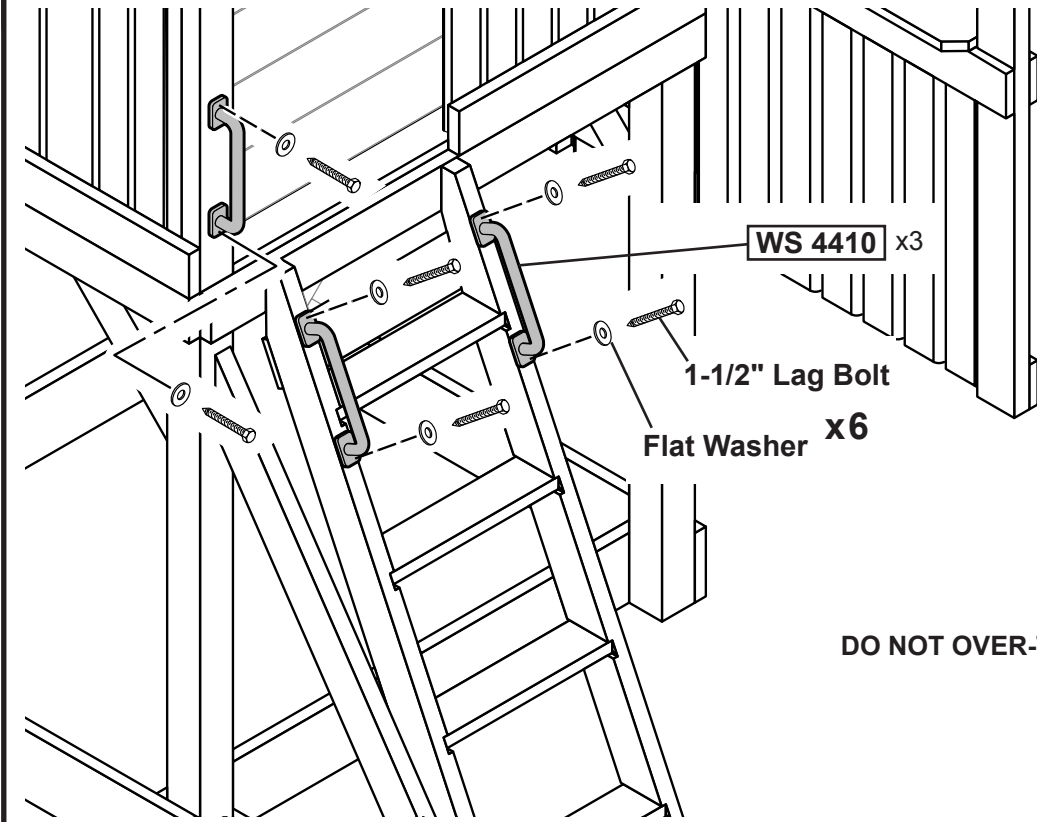
Keep tying double knots at the bottom end of rope until there is no remaining loose rope.

**Do not cut ends of rope.**



**ACCESSORIES**

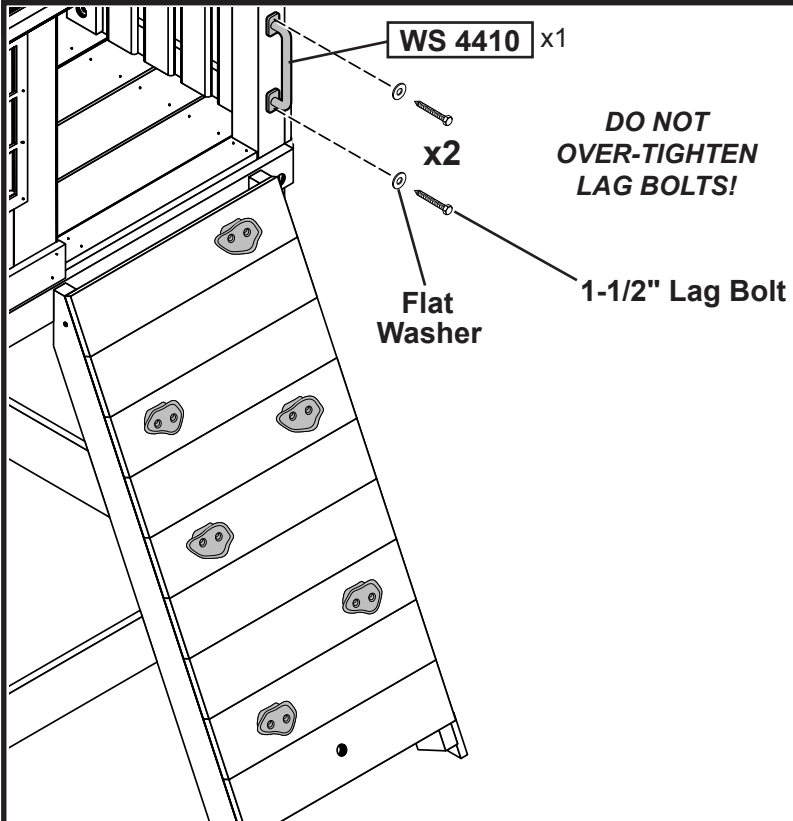
**SAFETY HANDLES - STEP LADDER**



**DO NOT OVER-TIGHTEN LAG BOLTS.**

**ACCESSORIES**

**SAFETY HANDLE - ROCK WALL**



**DO NOT  
OVER-TIGHTEN  
LAG BOLTS!**

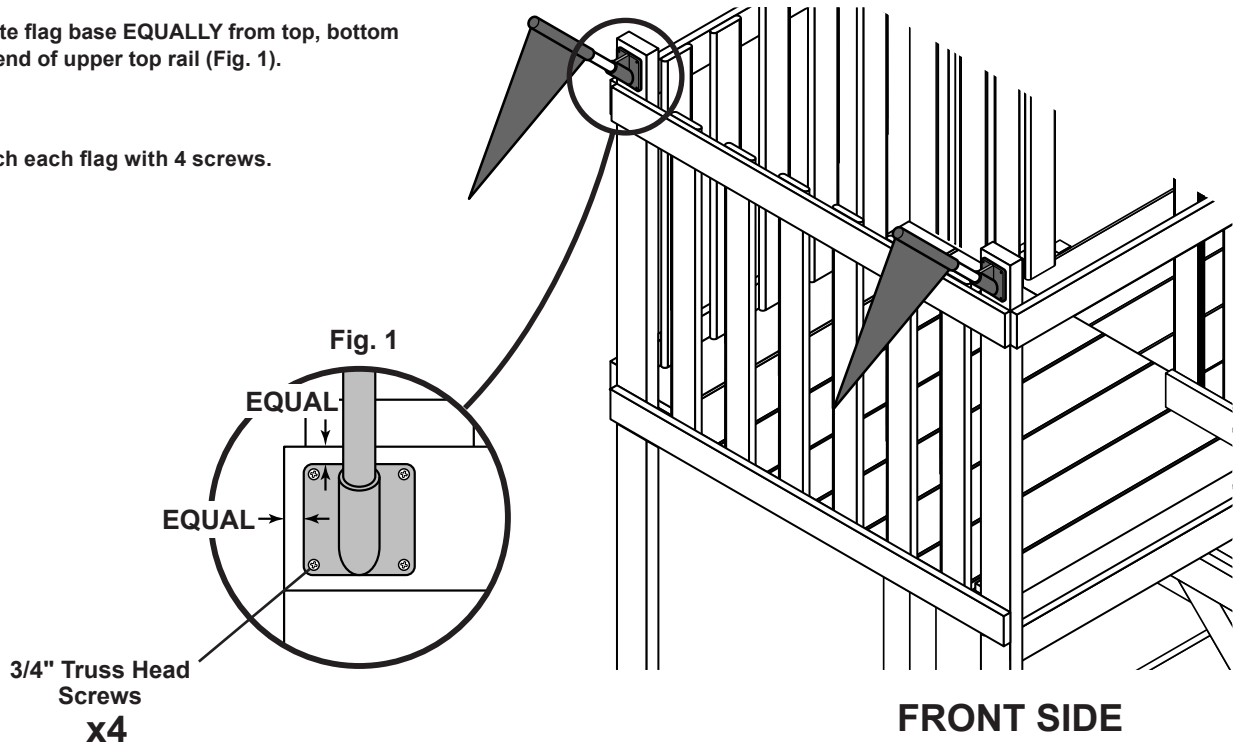


## ACCESSORIES

## FLAGS

1 Locate flag base EQUALLY from top, bottom and end of upper top rail (Fig. 1).

2 Attach each flag with 4 screws.



## ACCESSORIES



## TUBE SLIDE



### IMPORTANT!


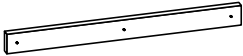
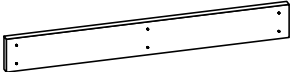
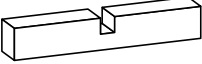
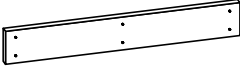


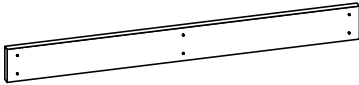



THE FOLLOWING STEPS ARE USED TO ASSEMBLE THE MOUNTING FRAME  
FOR THE TUBE SLIDE.

THIS PROCEDURE SUPERCEDES THE FRAME MOUNTING INSTRUCTIONS  
ORIGINALLY PACKAGED WITH THE TUBE SLIDE.

*USE THE TUBE SLIDE INSTRUCTIONS TO ASSEMBLE THE TUBE SLIDE.*

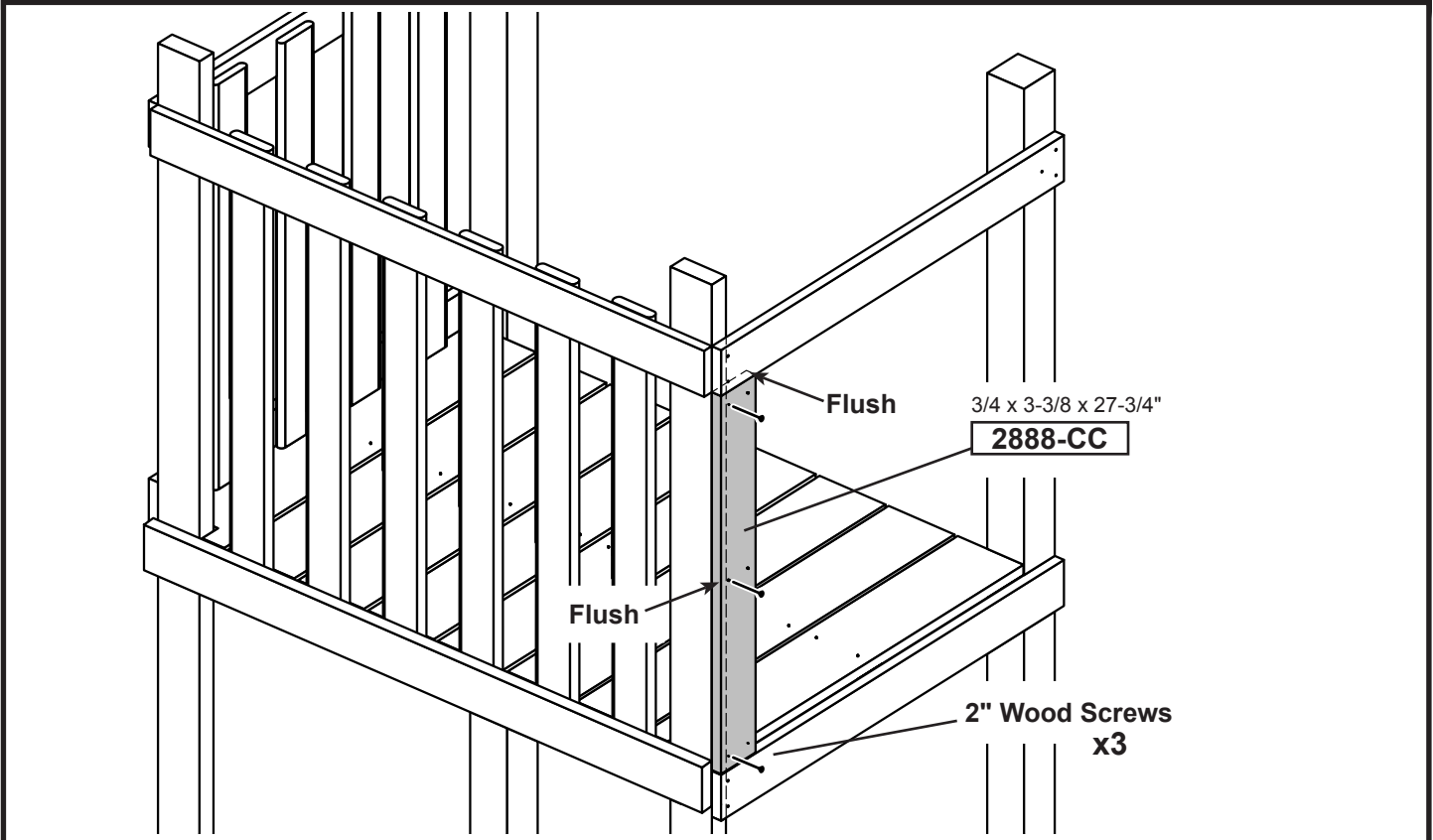
# TUBE SLIDE

# PARTS LIST

<p>1-3/8 x 3 x 11-1/4"</p>  <p><b>2893-CC</b> x1</p>	<p>3/4 x 2 x 23"</p>  <p><b>2891-CC</b> x1</p>	<p>3/4 x 3-3/8 x 27-3/4"</p>  <p><b>2888-CC</b> x2</p>
<p>3 x 3 x 18"</p>  <p><b>2892-CC</b> x1</p>	<p>3/4 x 3-3/8 x 23"</p>  <p><b>2887-CC</b> x1</p>	<p>1-3/4 x 3-3/8 x 33-1/2"</p>  <p><b>2894-CC</b> x1</p>
	<p>3/4 x 5-3/8 x 23"</p>  <p><b>2890-CC</b> x1</p>	<p>3/4 x 3-3/8 x 34-5/8"</p>  <p><b>2889-CC</b> x2</p>
<p><b>x45</b>  <b>1-1/4" Wood Screws</b></p>	<p><b>x10</b>  <b>3" Wood Screws</b></p>	
<p><b>x6</b>  <b>2" Wood Screws</b></p>		

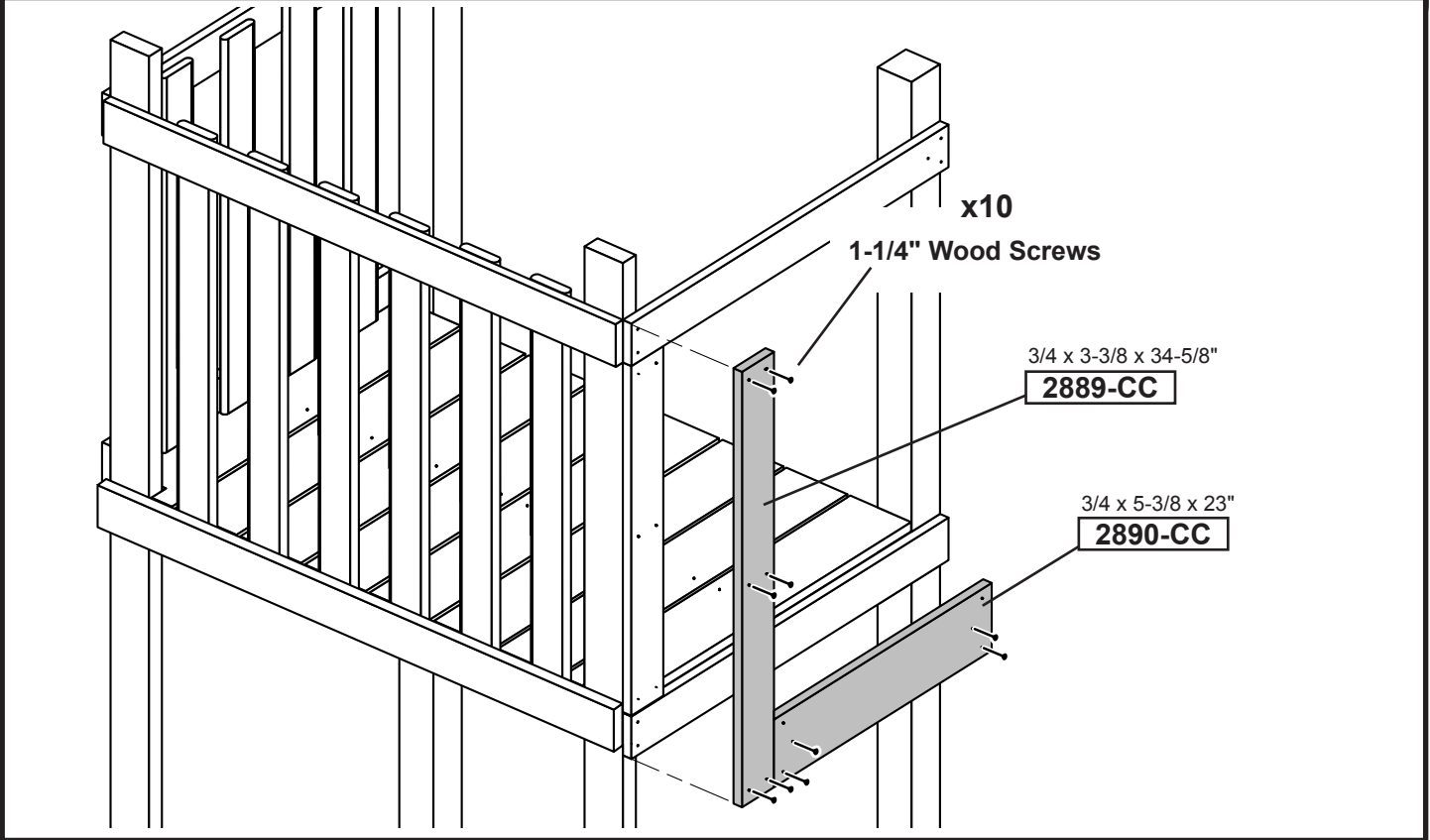
# TUBE SLIDE

# MOUNTING FRAME



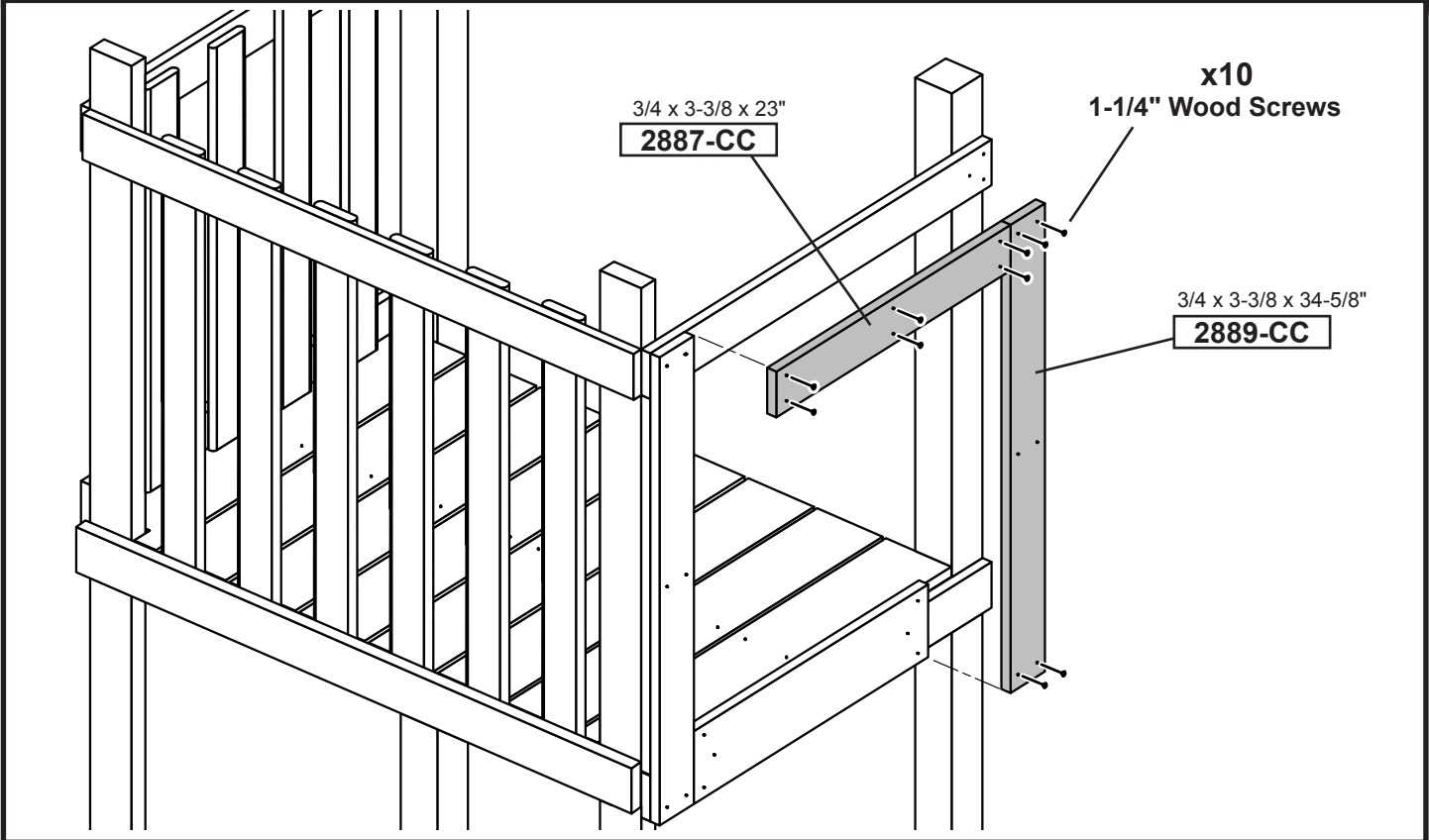
# TUBE SLIDE

# MOUNTING FRAME



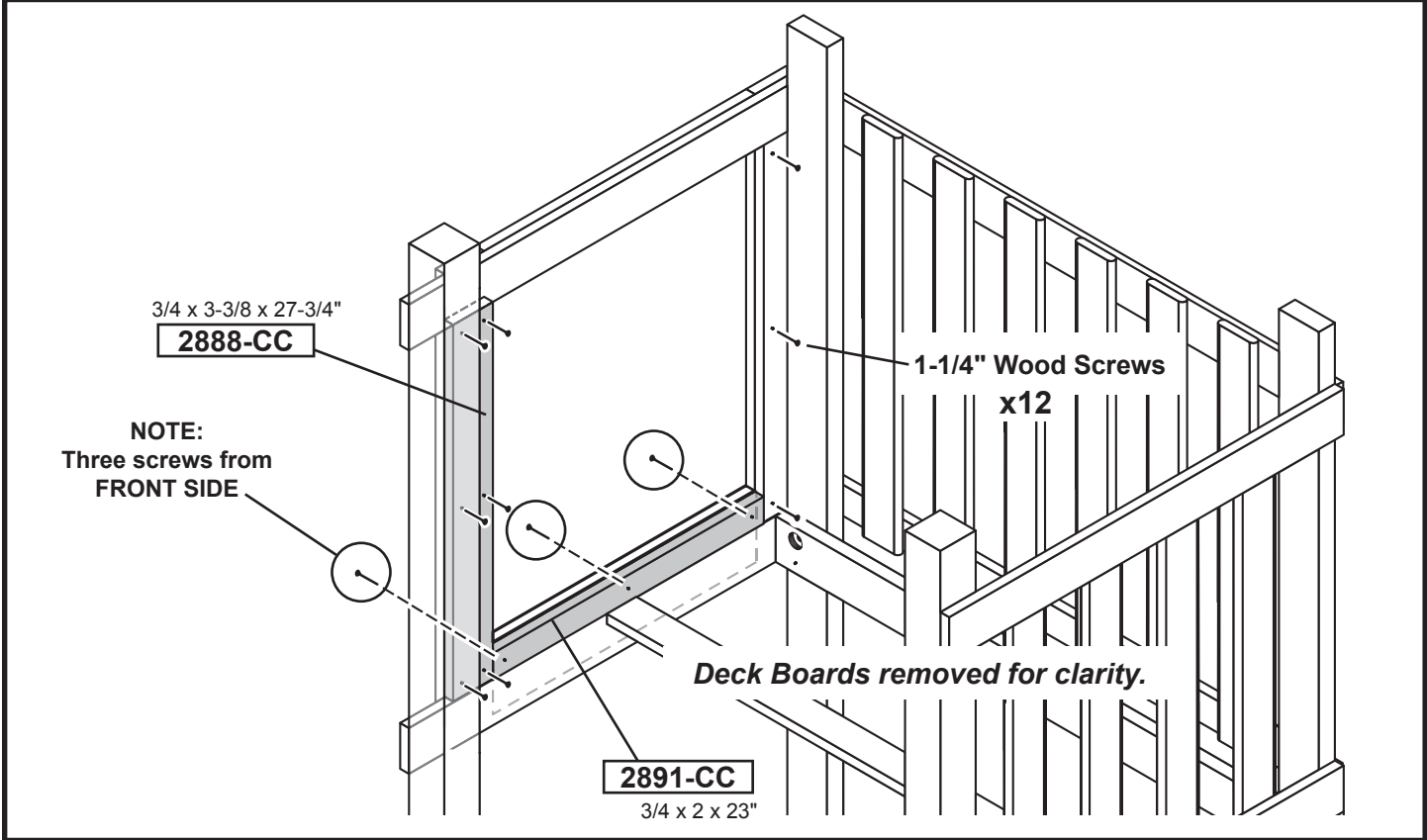
# TUBE SLIDE

# MOUNTING FRAME



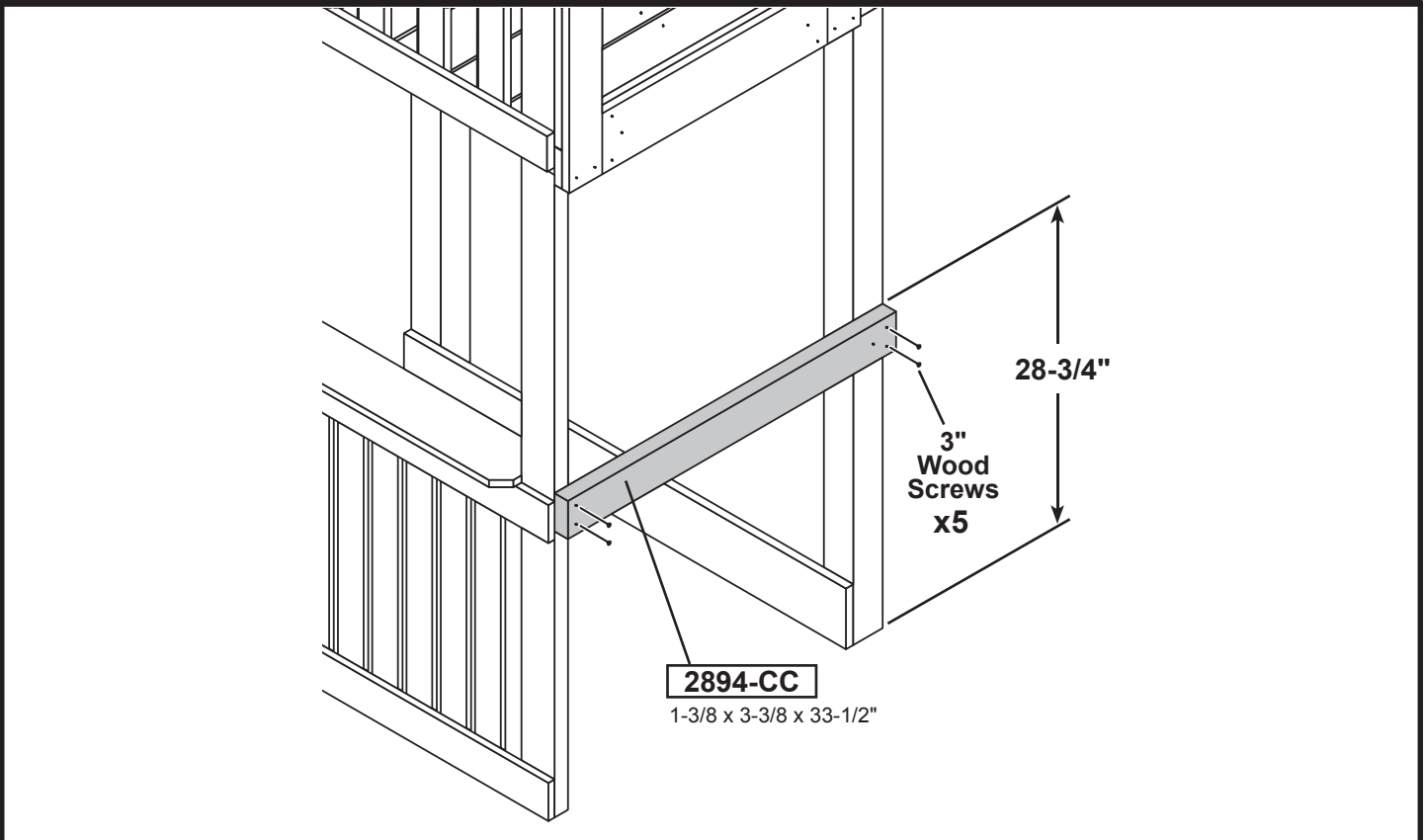
# TUBE SLIDE

# MOUNTING FRAME



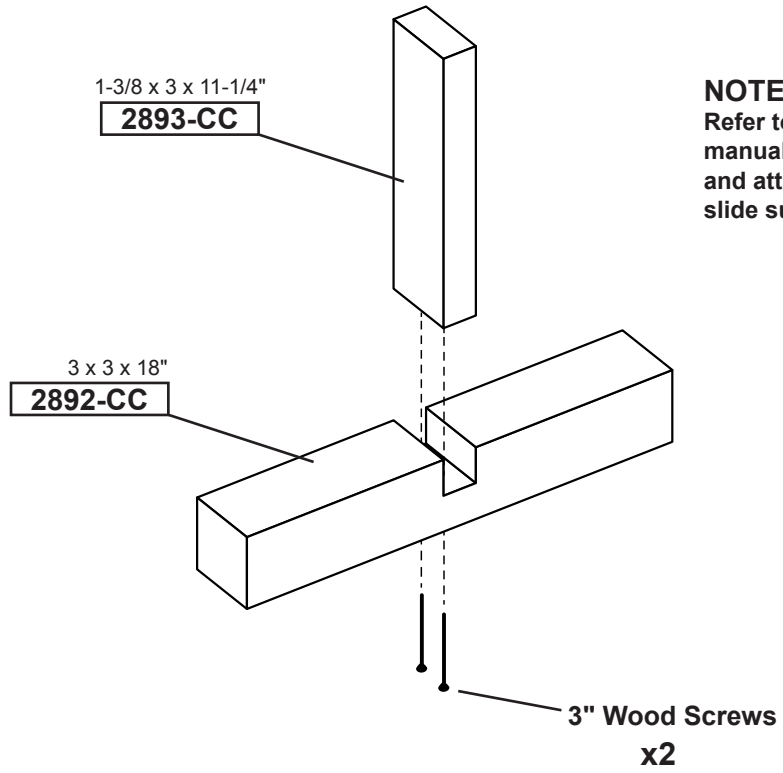
# TUBE SLIDE

# MOUNTING FRAME



# TUBE SLIDE

# SLIDE SUPPORT



**NOTE:**  
Refer to the tube slide instruction manual for steps to assemble and attach the tube slide and tube slide supports to the playset.

# WARRANTY

## WARRANTY REGISTRATION

**Please complete your warranty registration to properly validate your warranty.  
Register your product online at: [www.OnlineWarranty.net](http://www.OnlineWarranty.net).**

Backyard Play Systems warrants the following:

1. All wood components have a Limited Five Year Warranty.
2. All non-wood components\* have a three year Limited Warranty.  
\*Ropes carry a one year Limited Warranty.
3. Installation labor has a three year Limited Warranty applicable on playsets installed by Backyard Play Systems. Labor warranty does NOT apply to Do-It-Yourself playset kits or kits installed by a third party.

Backyard Play Systems will repair, replace or pay for the affected part at our discretion. In no event shall Backyard Play Systems pay the cost of labor or installation or any other costs related thereto.

Non-residential use of the system is prohibited and will void this warranty as the system is designed for residential use only.

### Conditions

The warranty is effective only when:

1. The unit has been erected in accordance with the assembly instructions.
2. The unit has been regularly and properly maintained and inspected.
3. The failure occurs when the unit is owned by the original purchaser.
4. This warranty is non-transferable
5. Backyard Play Systems has received a copy of your original proof of purchase with any claims in writing.
6. Backyard Play Systems has had reasonable opportunity during the sixty (60) days following the receipt of notification to inspect and verify the failure prior to commencement of any repair work.
7. "Significant color changes" to wood components is at the discretion of Backyard Products and require proof in the form of photographs or inspection by Backyard Play Systems.

Wooden components may have imperfections such as checks and knots. These are natural blemishes and imperfections which are inherent to wood. The imperfections not resulting in structural failure are not covered under this warranty.

### Requirements

To validate your warranty it is necessary to fill out and mail in the enclosed warranty card. And also to maintain and inspect your playset regularly. Regularly is defined as once per start and end of season.

### Claim Procedure

To make a claim under this warranty, you can either call 1-866-890-2211 or prepare a letter. Please have ready the information below when you call or include the information in writing:

1. The model and size of the product.
2. A list of the part(s) for which the claim is made.
3. Proof of purchase of the Backyard Play Systems item, as shown on the original invoice.
4. Run Code, as listed on the enclosed warranty card.

Mail the above information to:

Backyard Play Systems  
Attn: Customer Service  
1000 Ternes Dr.  
Monroe, MI 48162

# WARRANTY

Please feel free to call our Consumer Help Line Toll Free

**1-866-890-2211**

**April through October M - F 8:00 AM to 6:00 PM EST**

**Saturday 8:30 AM to 4:30 PM EST**

**November through March M - F 8:00 AM to 5:00 PM EST**

No warranty is offered on the following: (1) equipment subject to abuse, negligence, improper installation, vandalism, acts of God, unauthorized alteration or attachment to equipment other than our own: or (2) equipment subjected to improper use, service or repair by customer or any third party.

**To the maximum extent permitted by law, this warranty and the remedies set forth herein are exclusive and expressly in lieu of all other warranties, expressed or implied, including warranties of merchantability or fitness for a particular purpose. If Backyard Play Systems cannot disclaim or exclude implied warranties under applicable law, then to the extent possible any claims under any such implied warranties shall expire on expiration of the applicable warranty period. Some states do not allow limitations on how long an implied warranty lasts, so the above limitation may or may not apply to you. Backyard Play Systems does not assume, or authorize any person to assume for us, any other liability in connection with the sale of our products.**

**To the maximum extent of the law, Backyard Play Systems assumes no responsibility for incidental or consequential damages which may arise from the purchase or use of our playset or equipment. Some states do not allow the exclusion or limitation of incidental or consequential damages, so the above limitation or exclusion may not apply to you.**

If any provision of this limited warranty is invalid, void or unenforceable in any instance or respect, the unenforceable provision will be severed and reformed to effect the intent of this limited warranty to the maximum extent possible, and the remaining provisions shall continue in full force and effect and shall be enforced to the full extent permitted by law.

This warranty gives you specific legal rights, and you may also have other rights which vary from state to state.

- WARRANTY TERMS MAY VARY OUTSIDE THE U.S.A.**
- This manual is your warranty certificate. Please retain your original proof of purchase and this manual for any warranty claims.

**2695-RF**

**- NOTICE -**

**This playset product is not intended for public use. It is intended for residential application and is not warranted for public or commercial use.**



**IMPORTANT: THIS MANUAL SUPERSEDES THE MANUAL PACKED IN YOUR KIT.  
USE IT TO ASSEMBLE YOUR MONKEY BARS!  
NOTE: YOU MAY HAVE EXTRA FASTENERS AFTER FINISHING ASSEMBLY.**

***Call Us First!***

***DO NOT RETURN TO STORE.***

**For immediate help with assembly or product information**

**Call our toll-free number:**

**1-866-890-2211**

**April through October M - F 8:00 AM to 6:00 PM EST**

**Saturday 8:30 AM to 4:30 PM EST**

**November through March M - F 8:00 AM to 5:00 PM EST**

**or email:**

***customerservice@backyardproductsllc.com***

**Our staff is ready to provide assistance.**



(This page intentionally left blank.)

Customer Service  
1-866-890-2211  
1000 Ternes  
Monroe, MI 48162

# Backyard Play Systems

## Monkey Bar Accessory

Model 34037

Recommended for Ages 3 to 11

### - BEFORE YOU BEGIN -

#### Tools Required

Socket Set

Ratchet

Socket  
Extension

Hammer

Phillips Bit

Combo Drive Bit

Cordless Drill  
w/Charger

Drill Bits

Tape Measure

Level

C - Clamps

8' Step Ladder

#### First...

- Check with your homeowner's association before assembling.
- Read instructions thoroughly before you begin. If you have purchased accessories to accompany this playset, please read all installation instructions before beginning assembly of this structure.

#### Check All Parts

- If a part is missing, circle the part in question and call.

#### Important

- In a drawing, a dotted line represents a part hidden from view (like a part under a panel).

#### Adult Assistance required

- Assistance is necessary to handle, fit and secure some components.

#### Squareness is very Important!

Start with a level surface and keep 90° corners and 90° perpendiculars throughout the assembly to ensure all components fit together.

#### Safety!

- Check for protruding screws and bolts, verify all screw and bolt lengths during assembly.

**Always wear OSHA-APPROVED safety glasses throughout assembly process.**



### - NOTICE -

**This playset product is not intended for public use. It is intended for residential application and is not warranted for public or commercial use.**

Your premium playset is manufactured from wood which has many natural characteristics and blemishes that may be present in some of the pieces in your playset. These natural characteristics may include knots or minor cracks/splits. All individual parts have been cut to provide a smooth and safe surface. All parts have been inspected to assure we pack only the safest, most durable wood product. Any minor blemishes in your playset will not affect the strength, durability, or structural integrity of the finished product. Our limited warranty does not cover the imperfections not resulting in structural failure.

# MONKEY BAR PARTS LIST

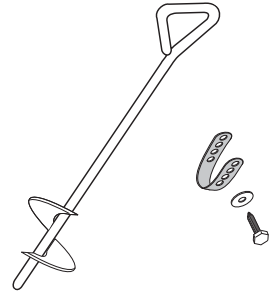
End Ladder Angle Brace



1-3/8 x 3-3/8 x 57"

**2983-CC** x2

Anchor



**WS 4522** x2

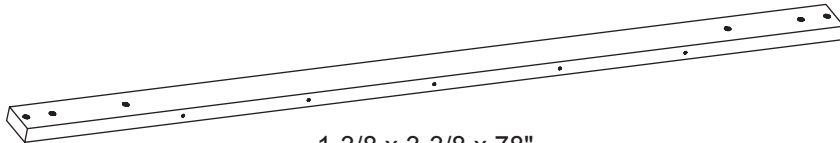
End Ladder Bottom Support



1-3/8 x 3-3/8 x 80-1/2"

**2985-CC** x1

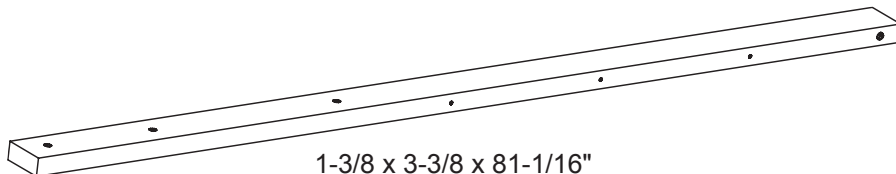
Top Ladder Rail Support



1-3/8 x 3-3/8 x 78"

**2984-CC** x2

End Ladder Rail Support



1-3/8 x 3-3/8 x 81-1/16"

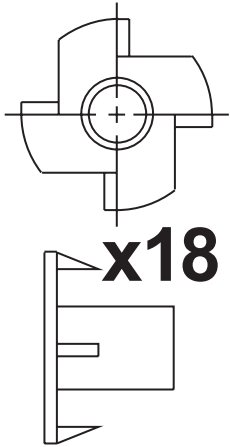
**2986-CC** x2

# MONKEY BAR HARDWARE

- NOTICE -

Depending on your playset model, you will have extra hardware left over.

3/8" T NUT



x18

3/8" FLAT WASHER



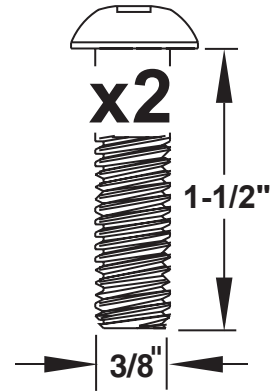
x26

3/8" LOCK WASHER



x18

3/8" x 1-1/2"  
BUTTON HD.  
SCREW



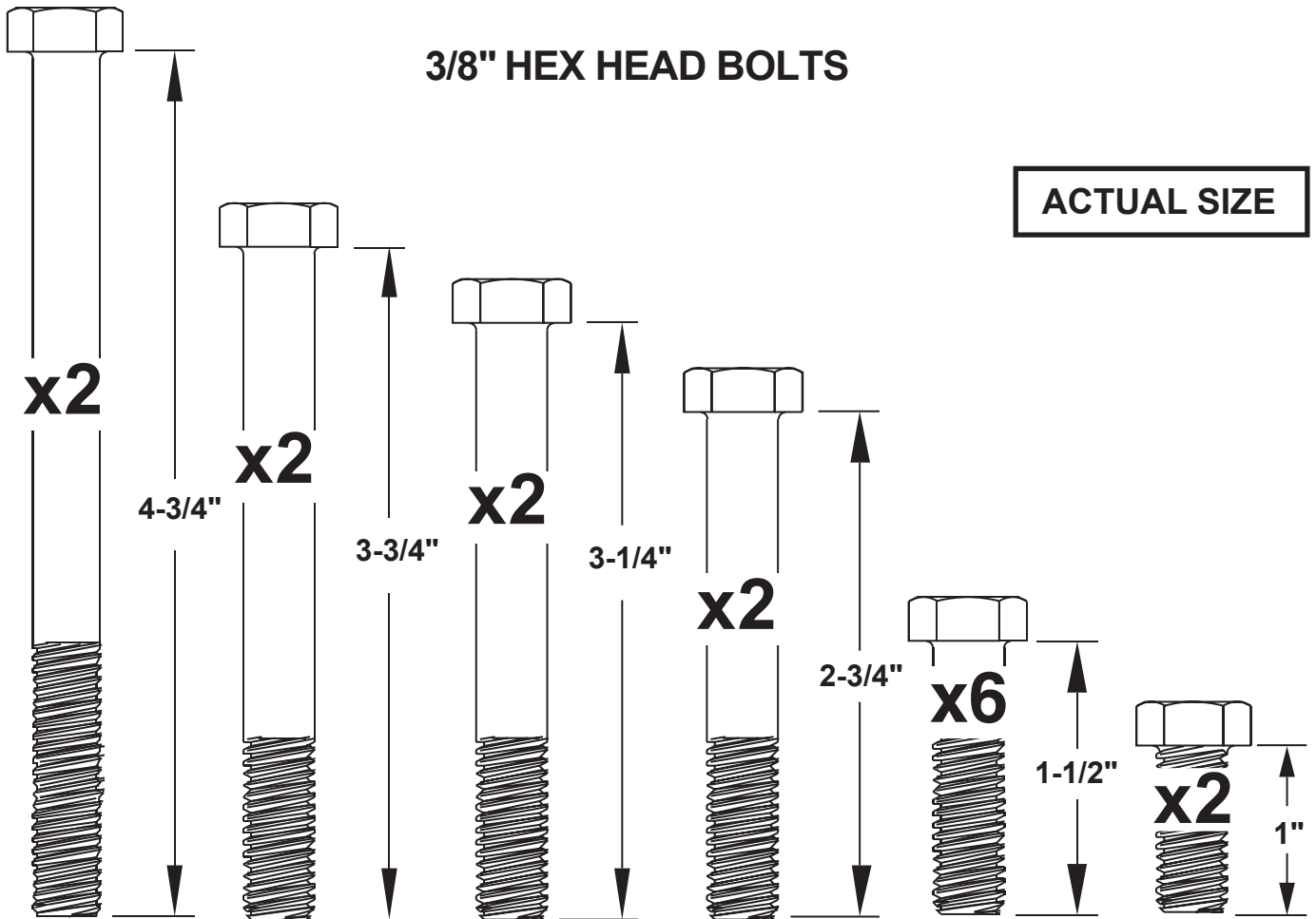
x2

1-1/2"

3/8"

3/8" HEX HEAD BOLTS

ACTUAL SIZE



x2

4-3/4"

x2

3-3/4"

x2

3-1/4"

x2

2-3/4"

x6

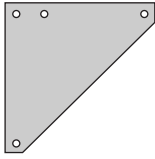
1-1/2"

x2

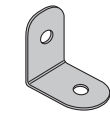
1"

# MONKEY BAR METAL PARTS

Flat Metal Bracket



2023 x2



L-Bracket

2084 x2

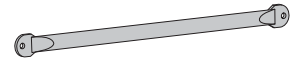
18-1/2"



Top Rung

PF 4972 x5

21-1/2"



End Rung

PF 3297 x3

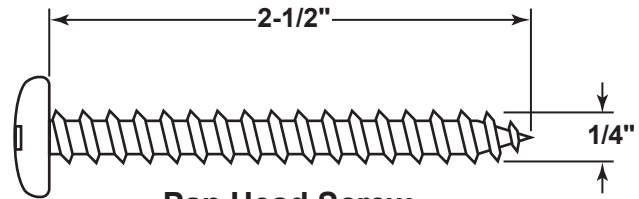
## FASTENERS FOR METAL RUNGS



Lock Washer

x16

x16



Pan Head Screw

Space intentionally left blank.

# PLAYSET

# ORIENTATION

BACK SIDE

6' SAFETY AREA

LEFT SIDE

REFER TO PLAYSET  
INSTRUCTION MANUAL  
FOR SAFETY AREA

RIGHT SIDE

6' SAFETY AREA

FRONT SIDE

# MONKEY BARS

# TOP RAIL

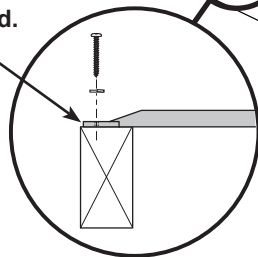
1-3/8 x 3-3/8 x 78"  
**2984-CC** x2

1" x 18-1/2"  
**PF 4972** x5

2-1/2" Pan Head Screw  
1/4" Lock Washer  
**x10**

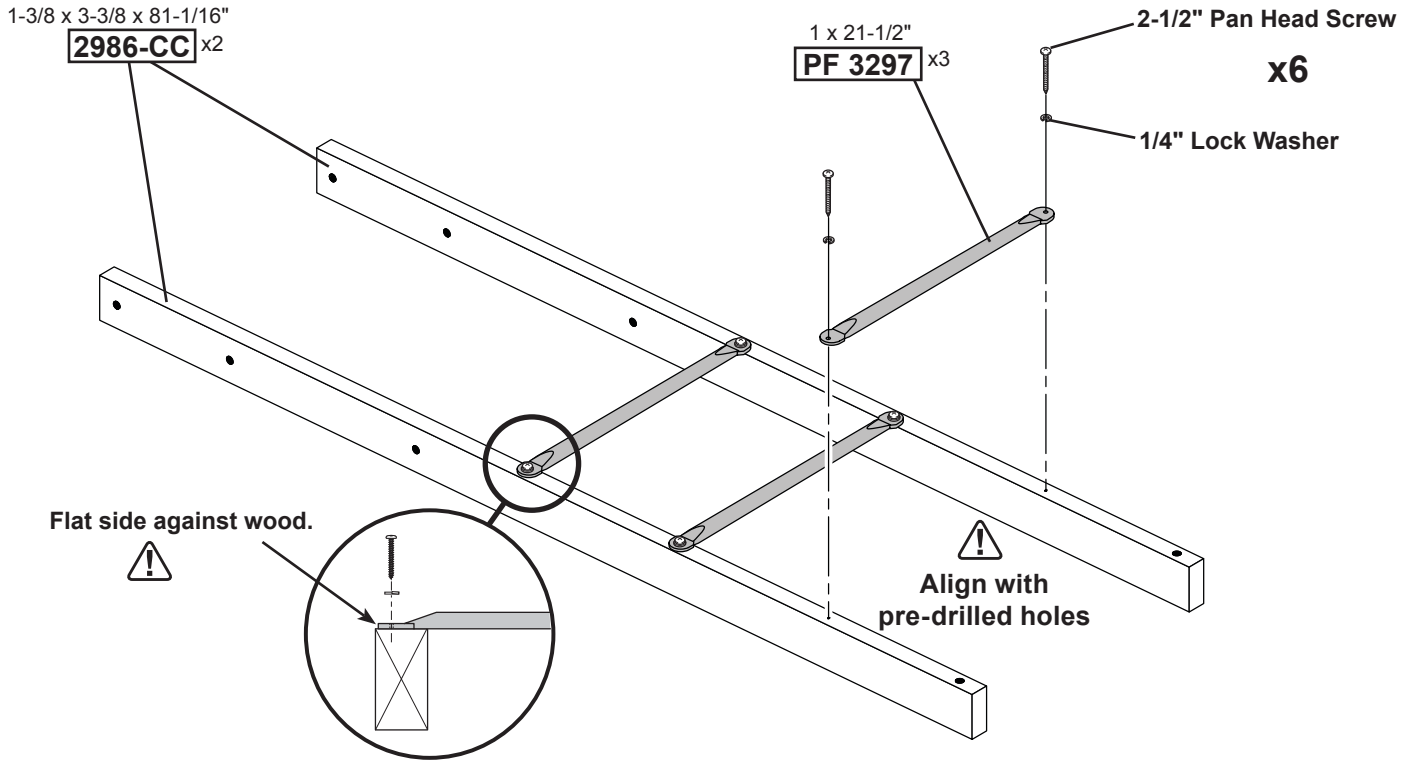
⚠  
Align with  
pre-drilled holes

Flat side against wood.  
⚠



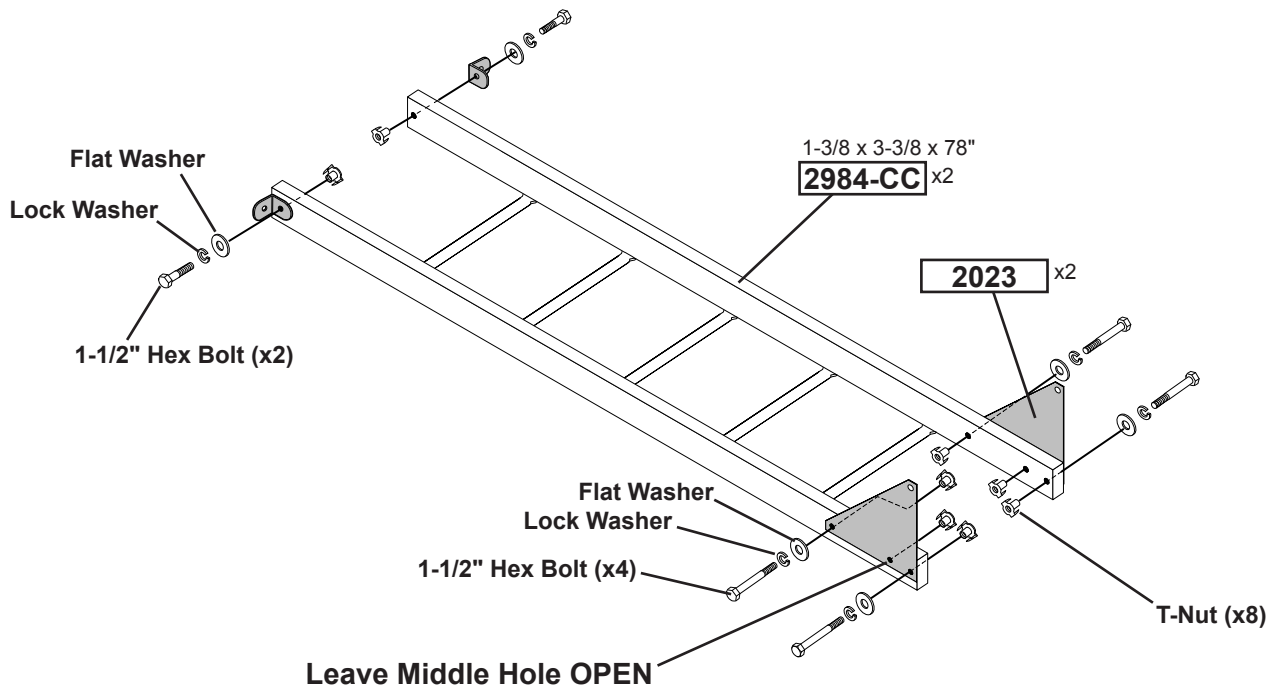
# END RAIL

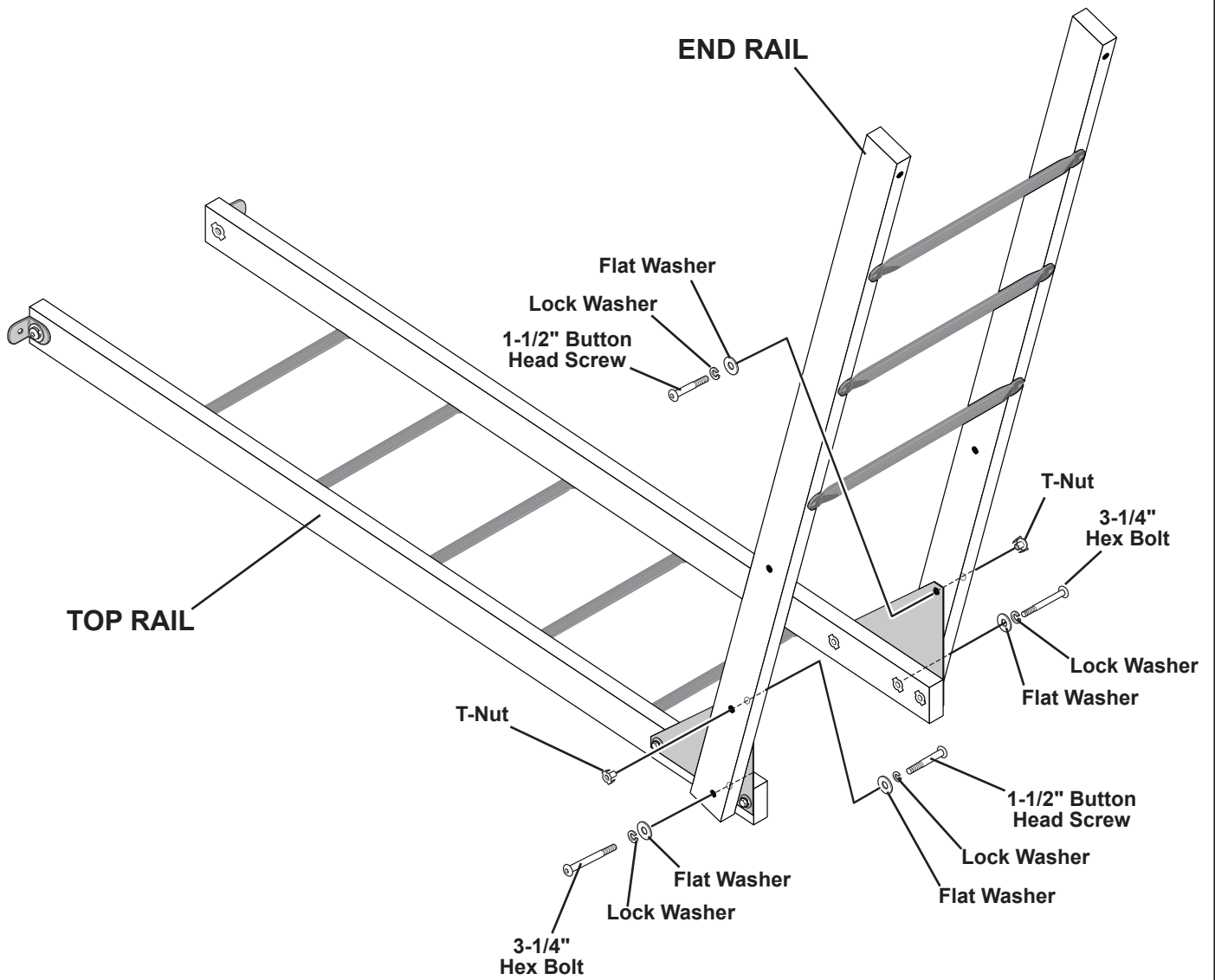
# ASSEMBLY



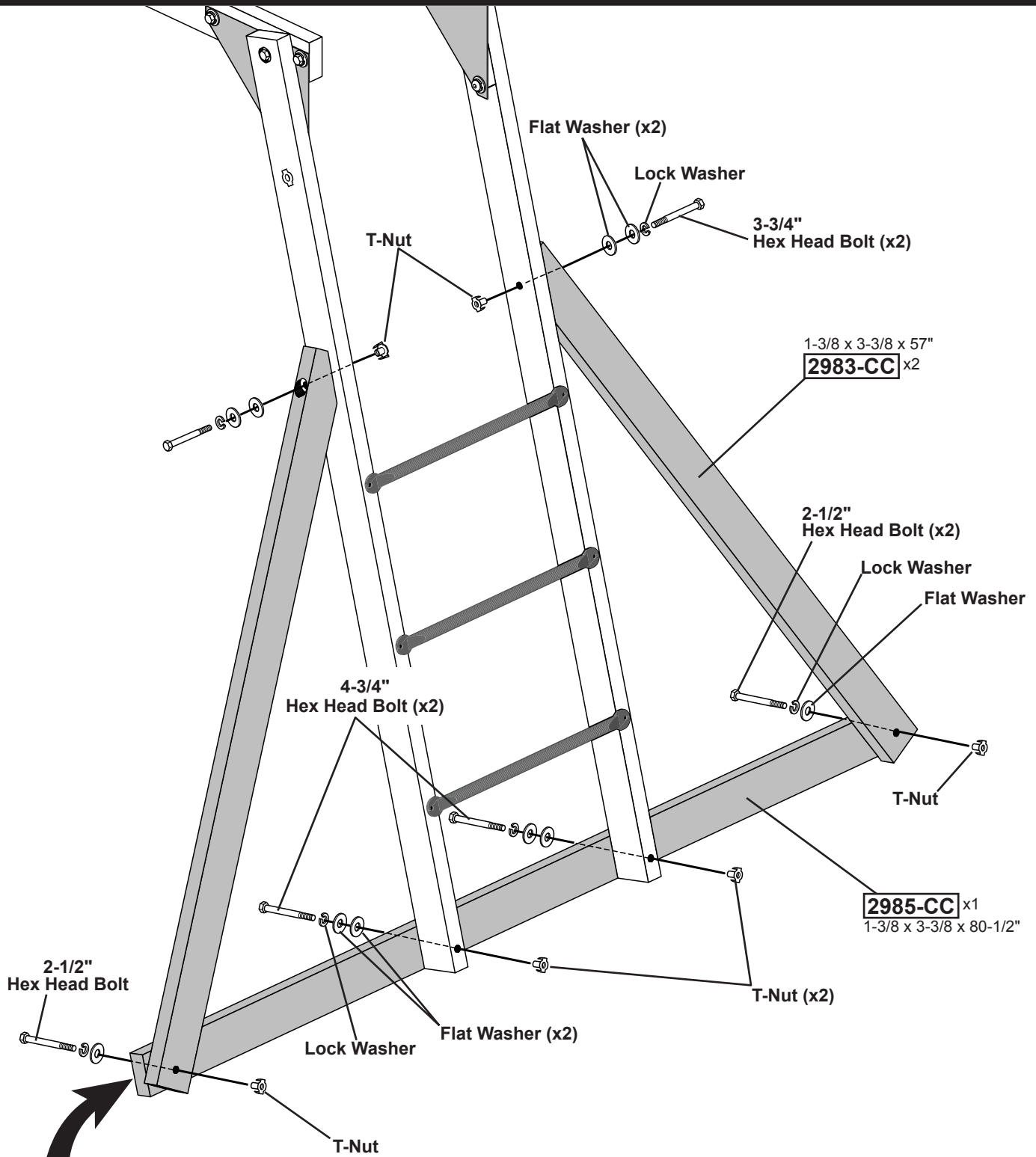
# TOP RAIL / BRACKETS

# ASSEMBLY





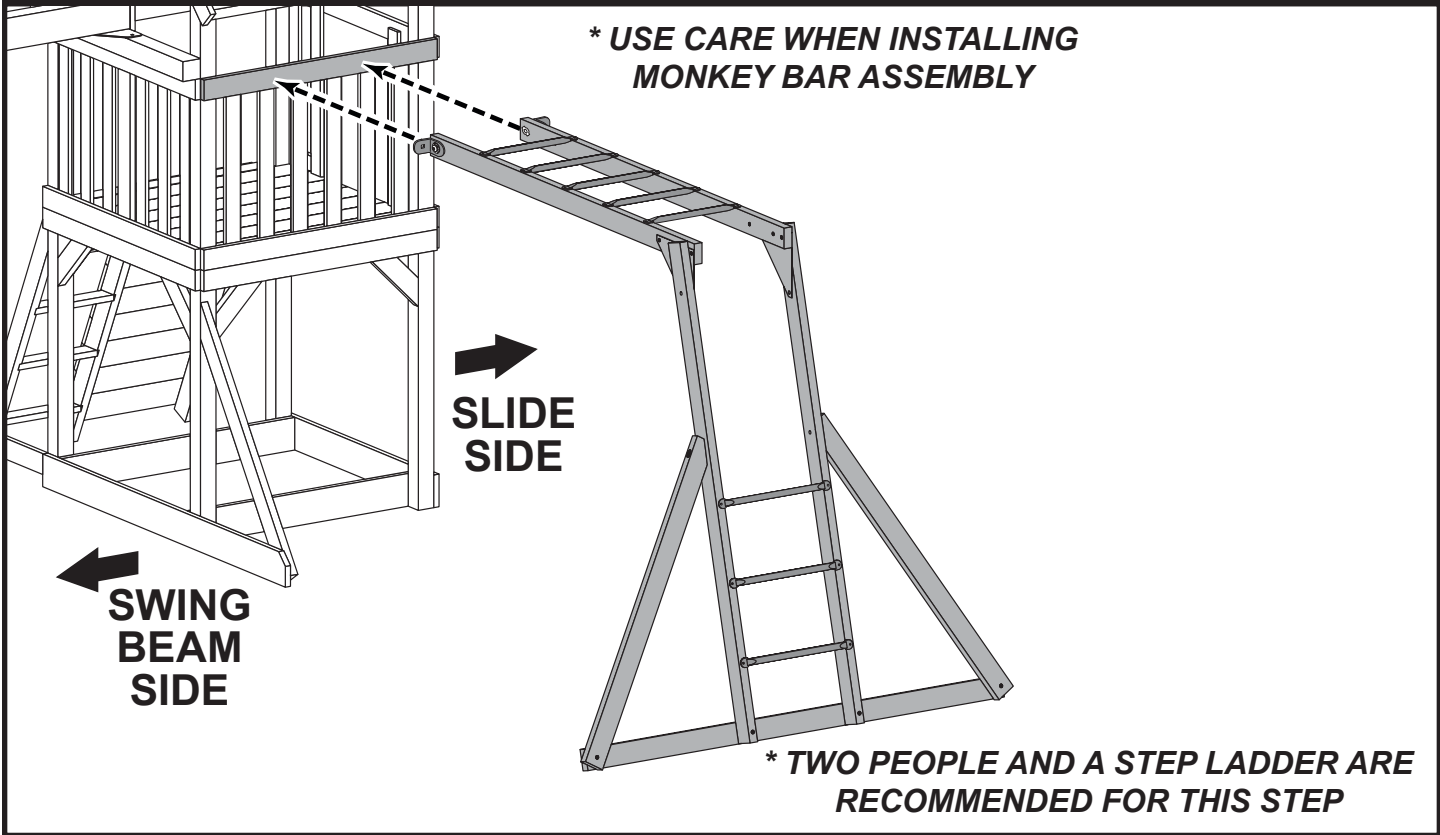




**NOTE:**  
Counter-bore of  
2985-CC toward  
rear side of ladder.

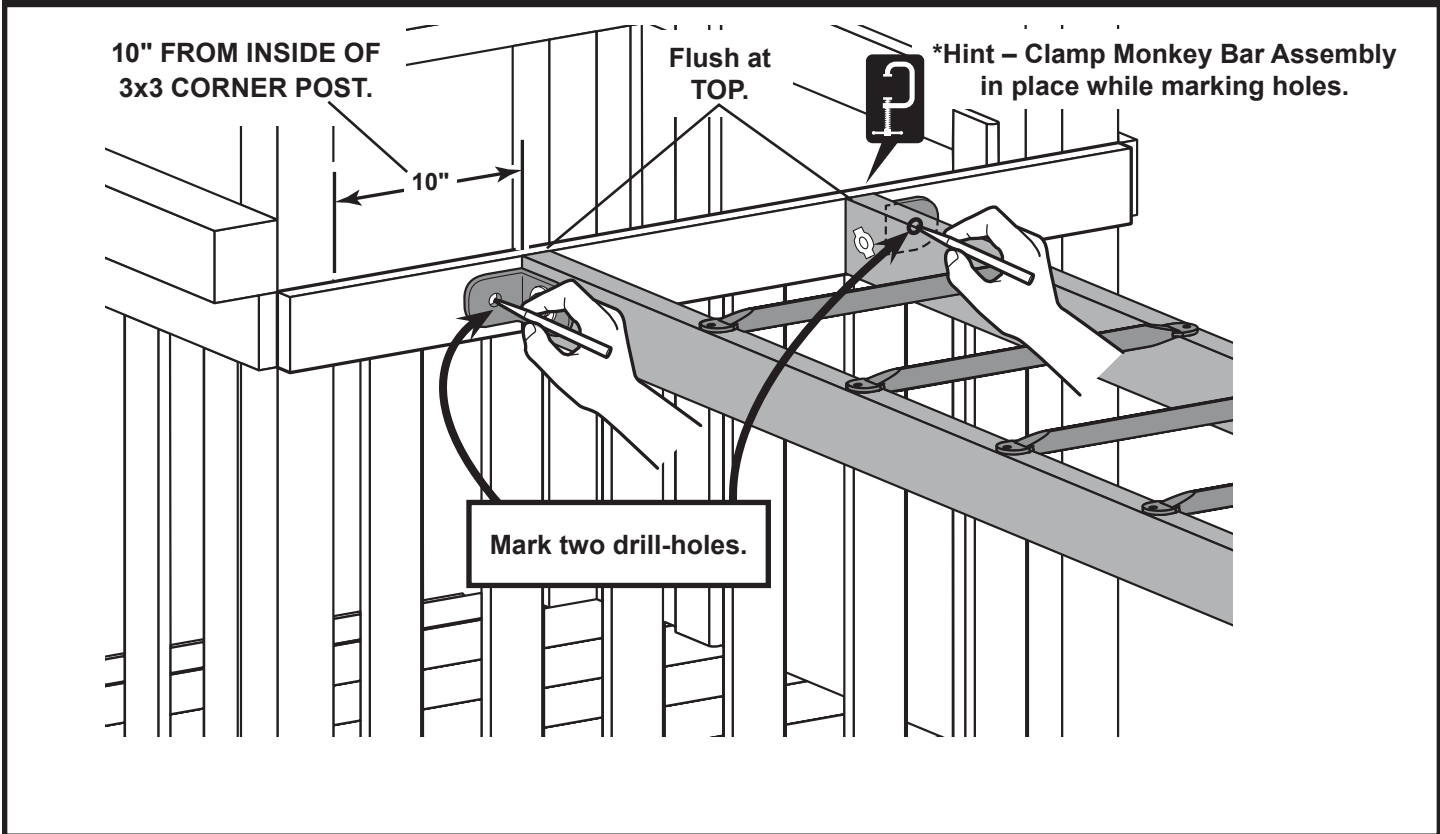
# MONKEY BAR

# INSTALL POSITION



# MONKEY BAR

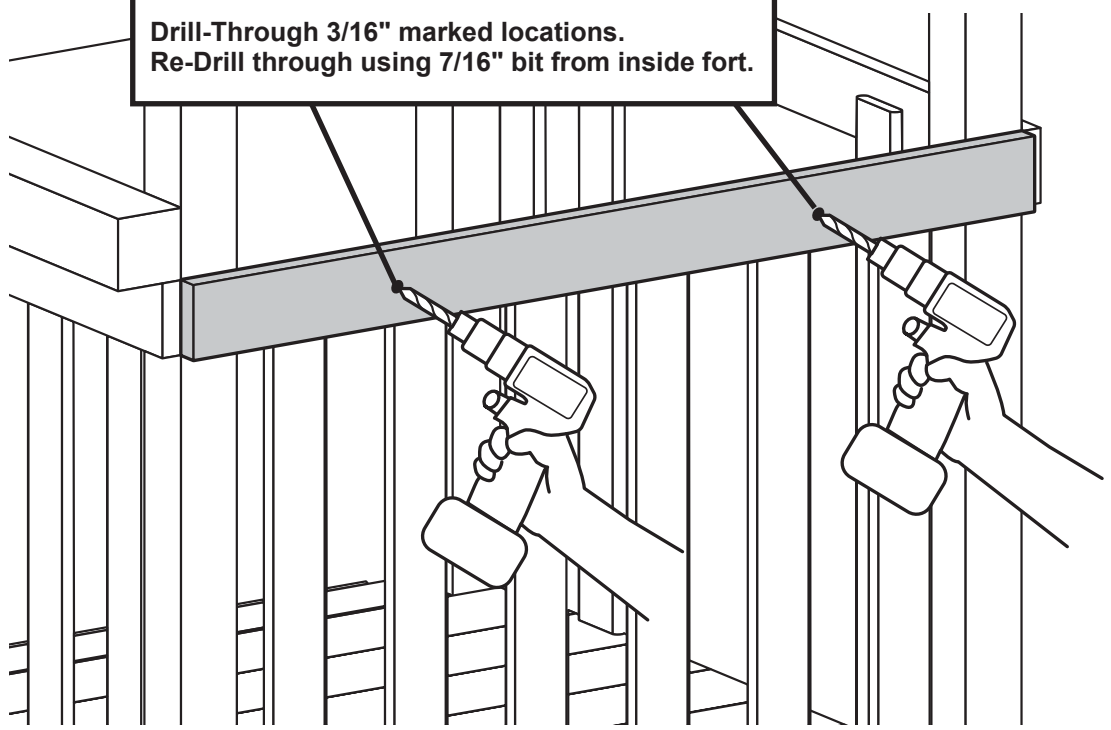
# INSTALL - STEP 1



# MONKEY BAR

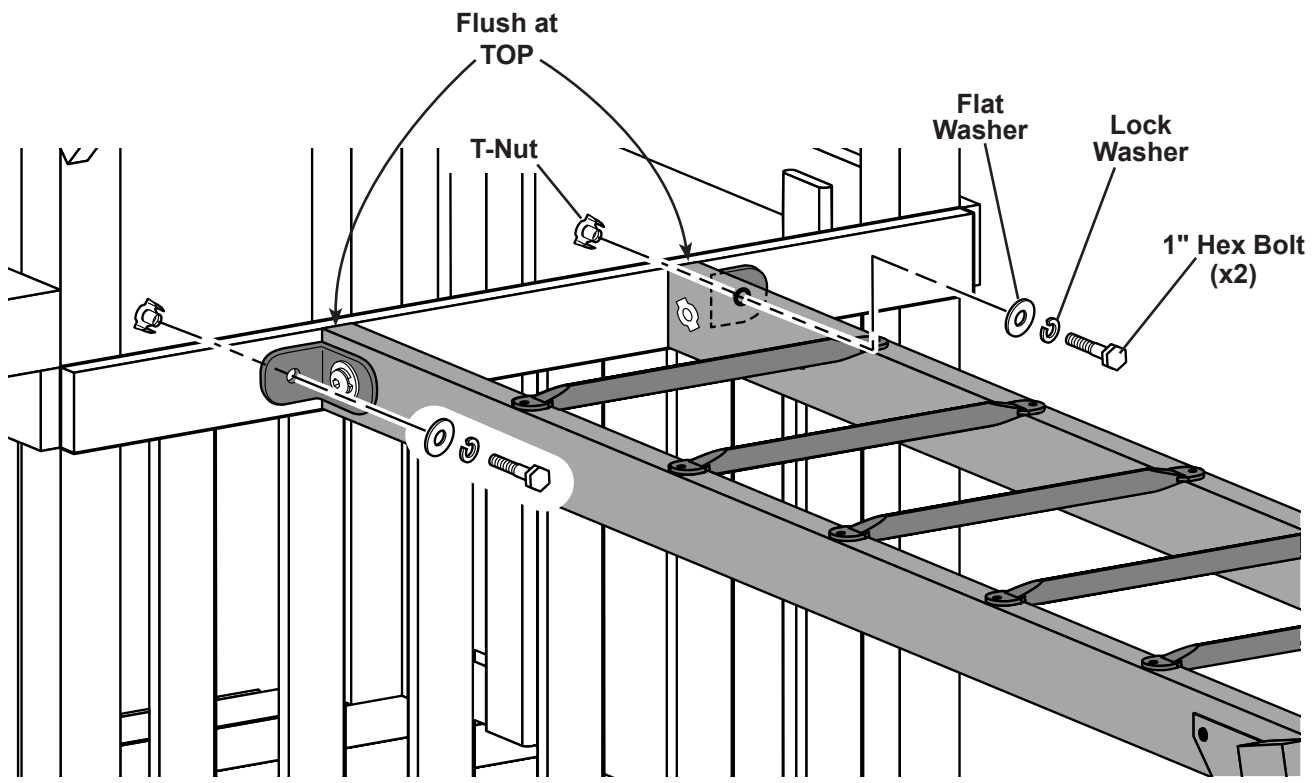
# INSTALL - STEP 2

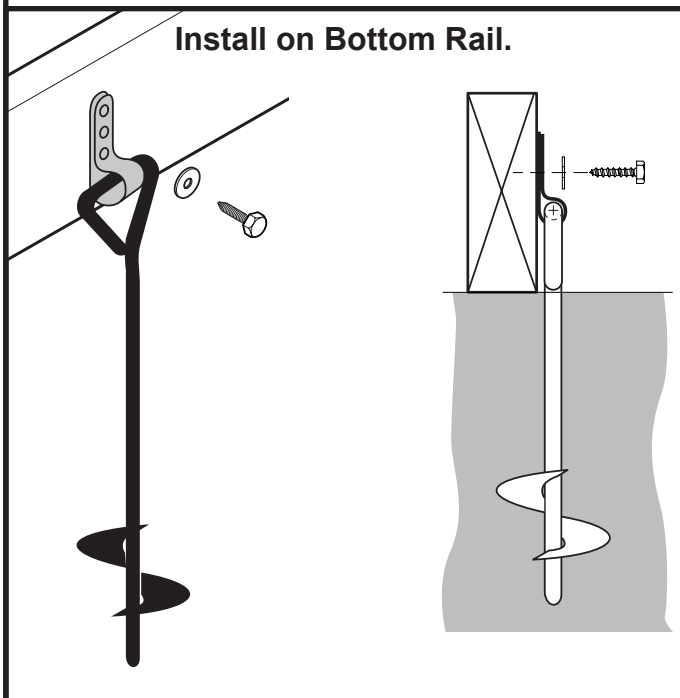
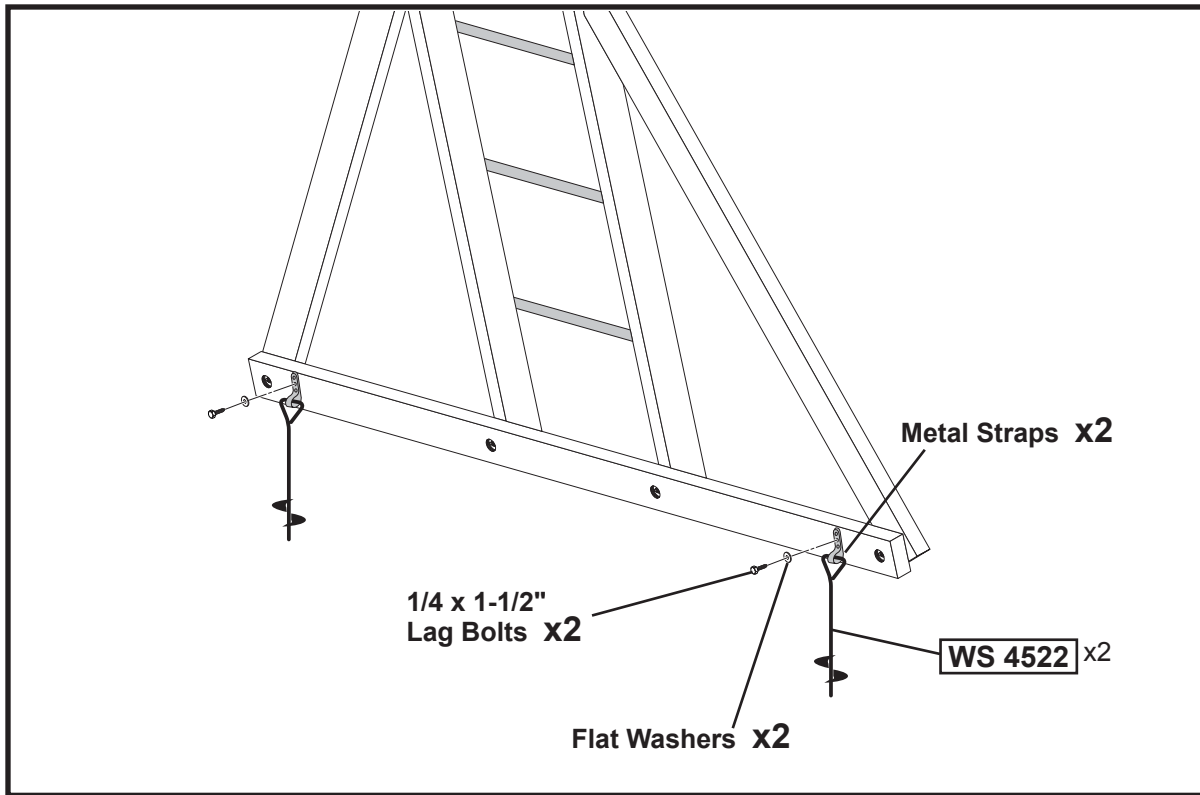
Drill-Through 3/16" marked locations.  
Re-Drill through using 7/16" bit from inside fort.



# MONKEY BAR

# INSTALL - STEP 3





**Instructions for anchoring your playset product to the ground.**

1. Determine the final location of your playset product.
2. Place the Anchor Stakes adjacent to the base and near the corners of your playset product (at the bottom of the legs on swing sets) and twist the auger-style Anchor Stakes into the ground until only the loop is exposed.
3. Place the metal strap through the loop of the Anchor Stake and secure it to the unit with a lag screw and washer as shown.  
 Note: Attach the strap to the unit with as little play as possible using whatever holes in the strap work the best.

# WARRANTY

Backyard Play Systems warrants the following:

1. All wood components have a Limited Five Year Warranty.
  - Treated Wood - Backyard Play Systems will replace treated wood which becomes structurally unfit due solely to damage caused by fungal decay or termites.
2. All non-wood components\* have a three year Limited Warranty.
  - \*Ropes carry a one year Limited Warranty.
3. Installation labor has a one year Limited Warranty applicable on playsets installed by Backyard Play Systems. Labor warranty does NOT apply to Do-It-Yourself playset kits or kits installed by a third party.

Backyard Play Systems will repair, replace or pay for the affected part at our discretion. In no event shall Backyard Play Systems pay the cost of labor or installation or any other costs related thereto.

Non-residential use of the system is prohibited and will void this warranty as the system is designed for residential use only.

## Conditions

The warranty is effective only when:

1. The unit has been erected in accordance with the assembly instructions.
2. The unit has been regularly and properly maintained and inspected.
3. The failure occurs when the unit is owned by the original purchaser.
4. This warranty is non-transferable
5. Backyard Play Systems has received a copy of your original proof of purchase with any claims in writing.
6. Backyard Play Systems has had reasonable opportunity during the sixty (60) days following the receipt of notification to inspect and verify the failure prior to commencement of any repair work.
7. "Significant color changes" to wood components is at the discretion of Backyard Products and require proof in the form of photographs or inspection by Backyard Play Systems.

Wooden components may have imperfections such as checks and knots. These are natural blemishes and imperfections which are inherent to wood. The imperfections not resulting in structural failure are not covered under this warranty.

## Requirements

To validate your warranty it is necessary to fill out and mail in the enclosed warranty card. And also to maintain and inspect your playset regularly. Regularly is defined as once per start and end of season.

## Claim Procedure

To make a claim under this warranty, you can either call 1-866-890-2211 or prepare a letter. Please have ready the information below when you call or include the information in writing:

1. The model and size of the product.
2. A list of the part(s) for which the claim is made.
3. Proof of purchase of the Backyard Play Systems item, as shown on the original invoice.
4. Run Code, as listed on the enclosed warranty card.

Mail the above information to:

Backyard Play Systems  
Attn: Customer Service  
1000 Ternes Dr.  
Monroe, MI 48162

# WARRANTY

Please feel free to call our Consumer Help Line Toll Free

**1-866-890-2211**

**April through October M - F 8:00 AM to 7:00 PM EST**

**Saturday 8:30 AM to 4:30 PM EST**

**November through March M - F 8:00 AM to 5:00 PM EST**

No warranty is offered on the following: (1) equipment subject to abuse, negligence, improper installation, vandalism, acts of God, unauthorized alteration or attachment to equipment other than our own: or (2) equipment subjected to improper use, service or repair by customer or any third party.

**To the maximum extent permitted by law, this warranty and the remedies set forth herein are exclusive and expressly in lieu of all other warranties, expressed or implied, including warranties of merchantability or fitness for a particular purpose. If Backyard Play Systems cannot disclaim or exclude implied warranties under applicable law, then to the extent possible any claims under any such implied warranties shall expire on expiration of the applicable warranty period. Some states do not allow limitations on how long an implied warranty lasts, so the above limitation may or may not apply to you. Backyard Play Systems does not assume, or authorize any person to assume for us, any other liability in connection with the sale of our products.**

**To the maximum extent of the law, Backyard Play Systems assumes no responsibility for incidental or consequential damages which may arise from the purchase or use of our playset or equipment. Some states do not allow the exclusion or limitation of incidental or consequential damages, so the above limitation or exclusion may not apply to you.**

If any provision of this limited warranty is invalid, void or unenforceable in any instance or respect, the unenforceable provision will be severed and reformed to effect the intent of this limited warranty to the maximum extent possible, and the remaining provisions shall continue in full force and effect and shall be enforced to the full extent permitted by law.

This warranty gives you specific legal rights, and you may also have other rights which vary from state to state.

- WARRANTY TERMS MAY VARY OUTSIDE THE U.S.A.**
- This manual is your warranty certificate. Please retain your original proof of purchase and this manual for any warranty claims.

**2694-RF**

**- NOTICE -**

***This playset product is not intended for public use. It is intended for residential application and is not warranted for public or commercial use.***



***Call Us First!***  
***DO NOT RETURN TO STORE.***

**For immediate help with assembly or product information**

**Call our toll-free number:**

**1-800-890-2211**

**April through October M - F 8:00 AM to 6:00 PM EST**

**Saturday 8:30 AM to 4:30 PM EST**

**November through March M - F 8:00 AM to 5:00 PM EST**

**or email:**

***customerservice@backyardproductsllc.com***

**Our staff is ready to provide assistance.**

(This page intentionally left blank.)



Customer Service  
1-866-890-2211  
1000 Ternes  
Monroe, MI 48162

## Backyard Play Systems

### Cedar Roof Accessory

Model 4185,  
4332, 4333,  
4334, 4335,  
6246, 6351,  
6352, 6353,  
6354, 6371

Recommended for Ages 3 to 11

#### - BEFORE YOU BEGIN -

#### Tools Required

Phillips Bit

Combo Drive Bit

Cordless Drill  
w/Charger

Drill Bits

Tape Measure

Level

8' Step Ladder

#### First...

- Check with your homeowner's association before assembling.
- Read instructions thoroughly before you begin. If you have purchased accessories to accompany this playset, please read all installation instructions before beginning assembly of this structure.

#### Check All Parts

- If a part is missing, circle the part in question and call.

#### Important

- In a drawing, a dotted line represents a part hidden from view (like a part under a panel).

#### Adult Assistance required

- Assistance is necessary to handle, fit and secure some components.

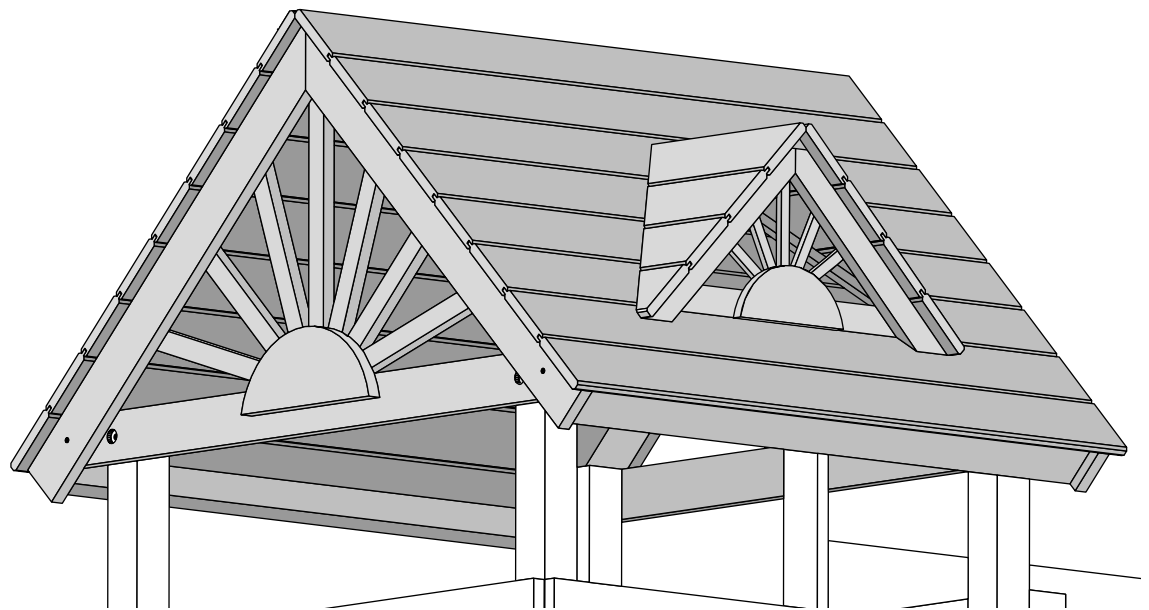
#### Squareness is very Important!

Start with a level surface and keep 90° corners and 90° perpendiculars throughout the assembly to ensure all components fit together.

#### Safety!

- Check for protruding screws and bolts, verify all screw and bolt lengths during assembly.

**Always wear OSHA-APPROVED safety glasses throughout assembly process.**



#### - NOTICE -

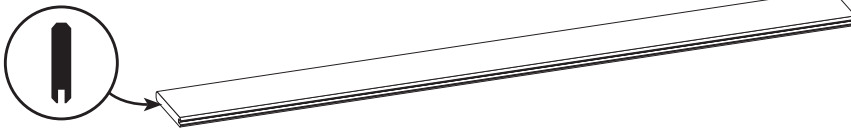
**This playset product is not intended for public use. It is intended for residential application and is not warranted for public or commercial use.**

Your premium playset is manufactured from wood which has many natural characteristics and blemishes that may be present in some of the pieces in your playset. These natural characteristics may include knots or minor cracks/splits. All individual parts have been cut to provide a smooth and safe surface. All parts have been inspected to assure we pack only the safest, most durable wood product. Any minor blemishes in your playset will not affect the strength, durability, or structural integrity of the finished product. Our limited warranty does not cover the imperfections not resulting in structural failure.

# WOOD PARTS

Roof Slat Top

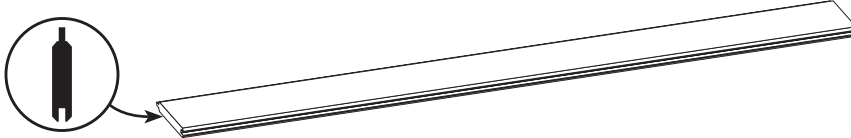
5/8 x 5-1/8 x 51-1/8"



**2987-CC** x2

Roof Slat Mid

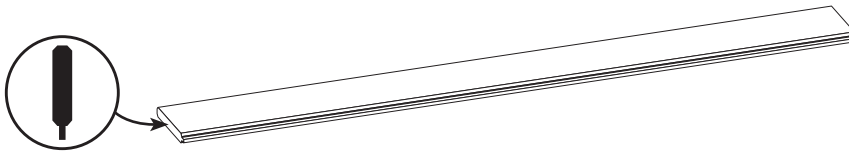
5/8 x 5-1/2 x 51-1/8"



**2989-CC** x12

Roof Slat Bottom

5/8 x 5-1/8 x 51-1/8"



**2988-CC** x2

5/8 x 1-1/2 x 20-3/8"



Sun Brace Center

**2991-CC** x2

5/8 x 1-1/2 x 15-1/8"



Sun Brace

**2990-CC** x12

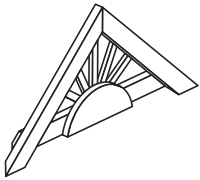
5/8 x 5-1/2 x 13-3/16"



Sun Decoration

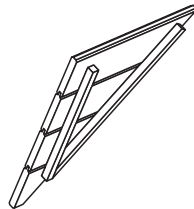
**2992-CC** x2

## SUB-ASSEMBLED DORMER PARTS



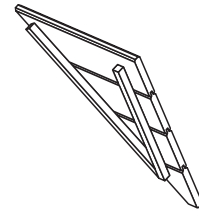
Dormer Face

**3182-CC** x1



Dormer Roof LEFT

**3180-CC** x1



Dormer Roof RIGHT

**3181-CC** x1

## HARDWARE

30 mm



x36

#8 Screw

1-5/8"



x74

#8 Screw

2"

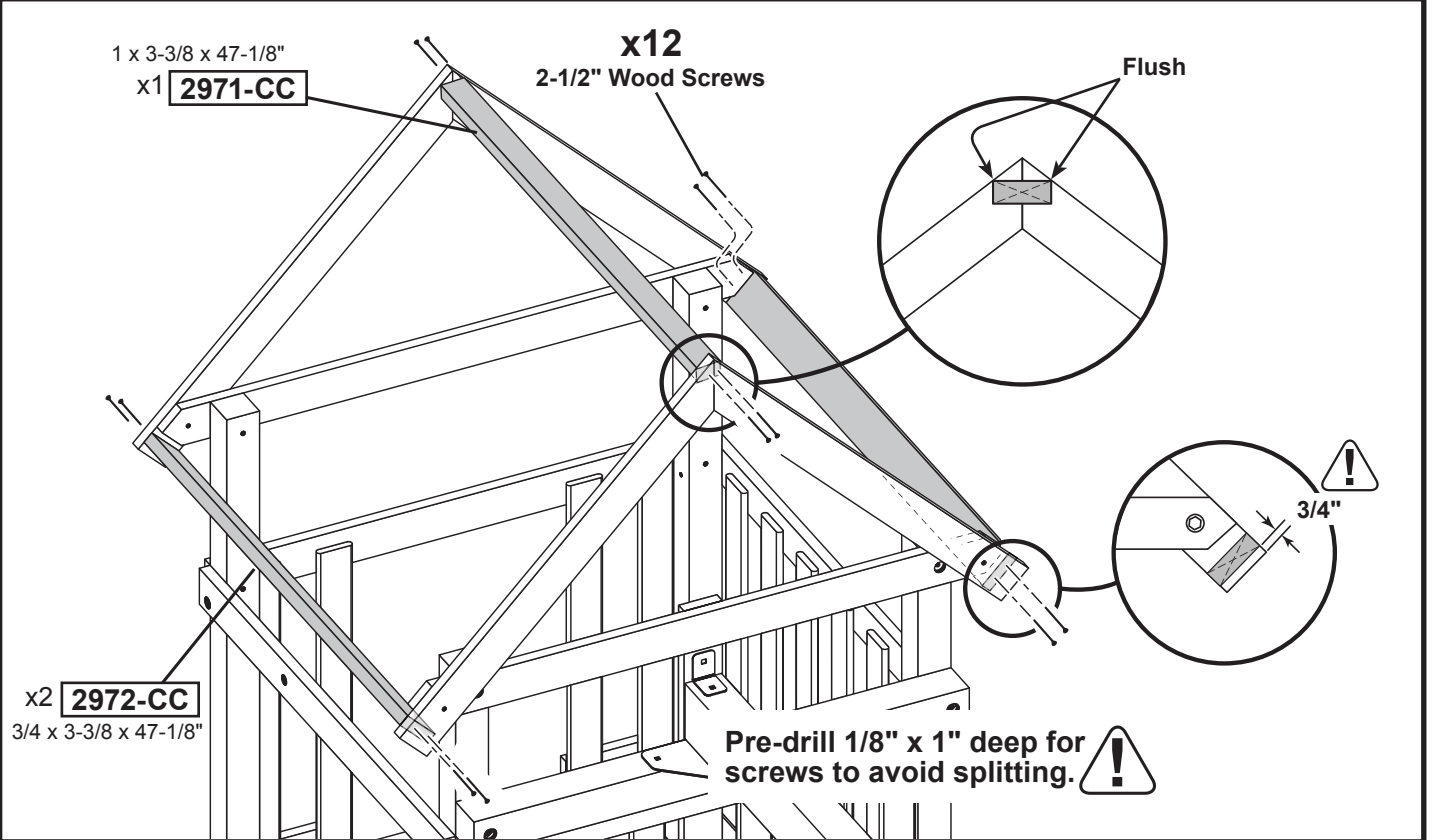


x8

#8 Screw

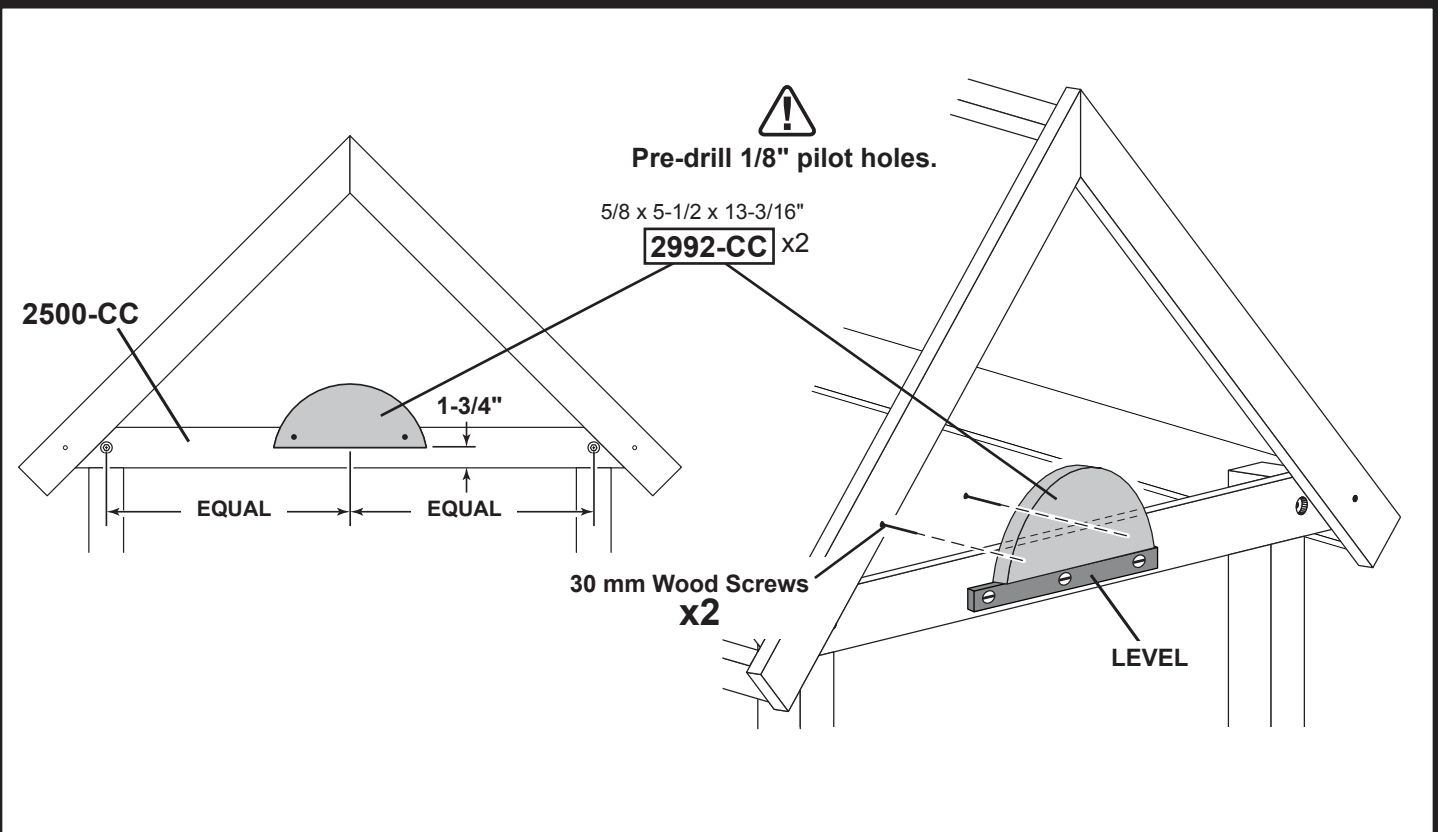
# ROOF FRAME

# INSTALL



# SUN DECORATION

# INSTALL

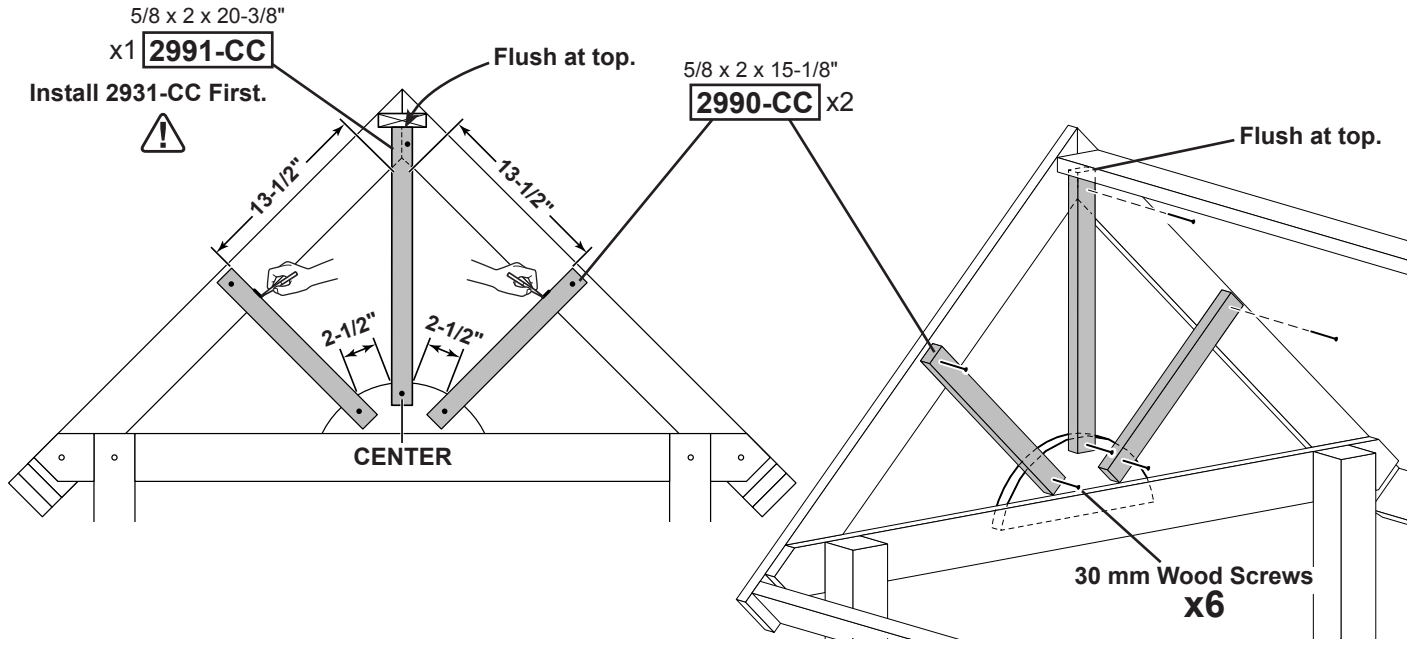


# SUN DECORATION

# INSTALL

Install 2991-CC centered and flush using two 30 mm screws as shown.

Measure and mark rafter as shown. Install two 2990-CC's between marks using two 30 mm screws.



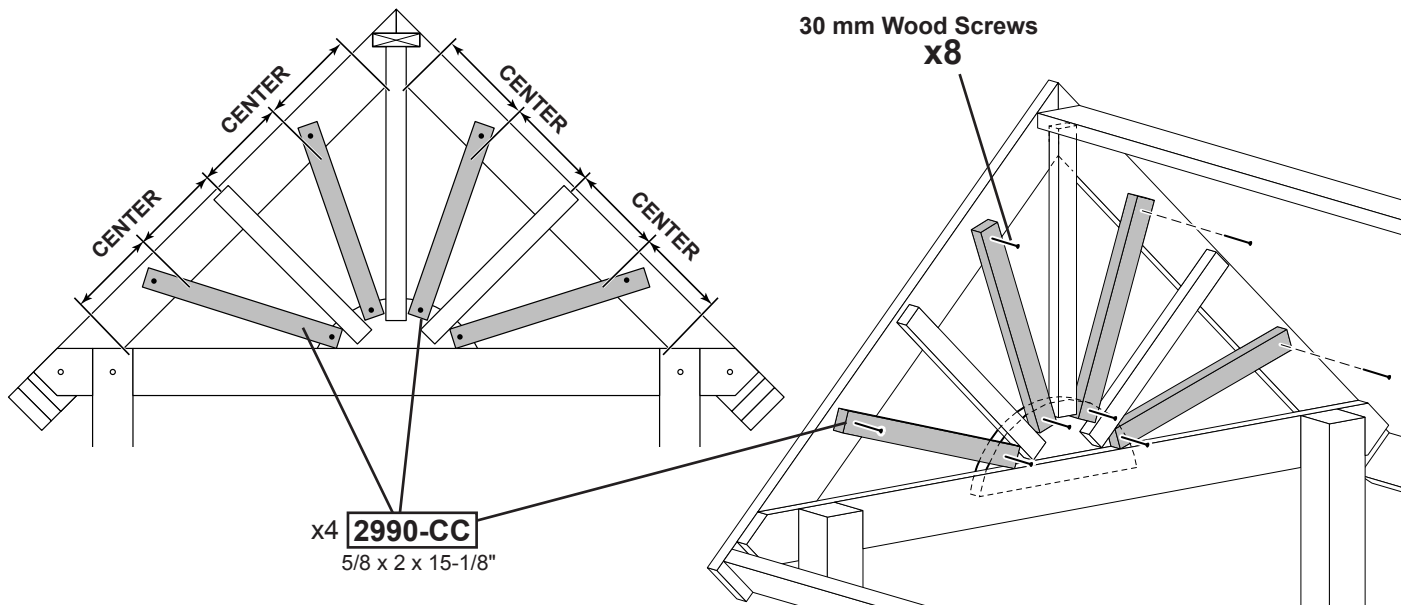
# SUN DECORATION

# INSTALL

Center remaining 2990-CC's as shown.

Install 2990-CC centered and flush using two 30 mm screws as shown.

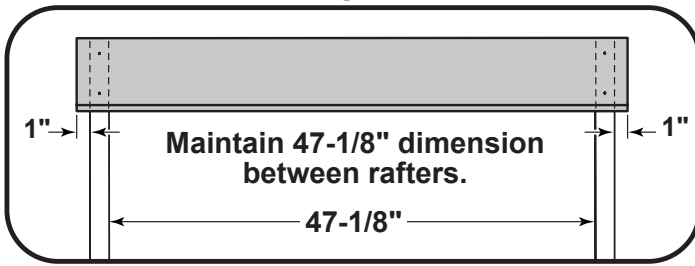
Repeat installation of 2991-CC and 2990-CC at opposite side of playset.



# ROOF PLANKS

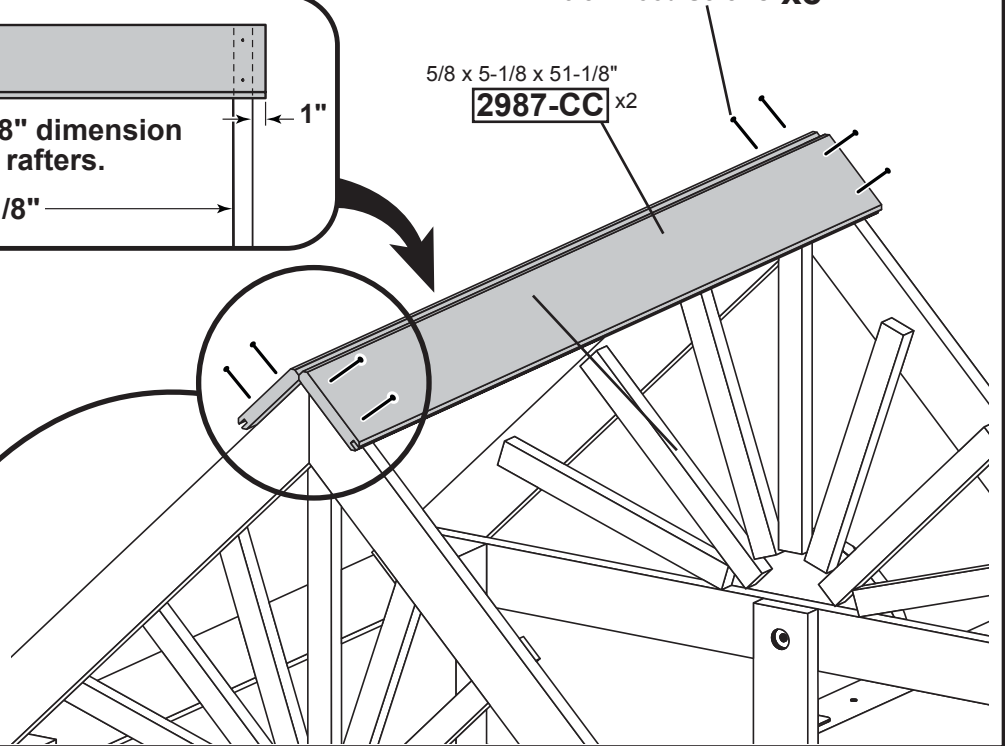
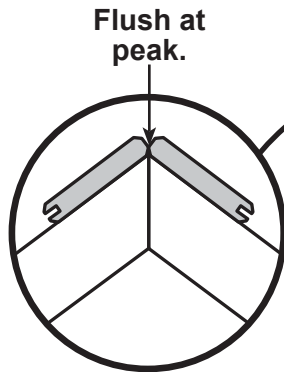
# INSTALL

Center 2987-CC roof boards on rafters.  
Ensure equal overhang on both sides; about 1".



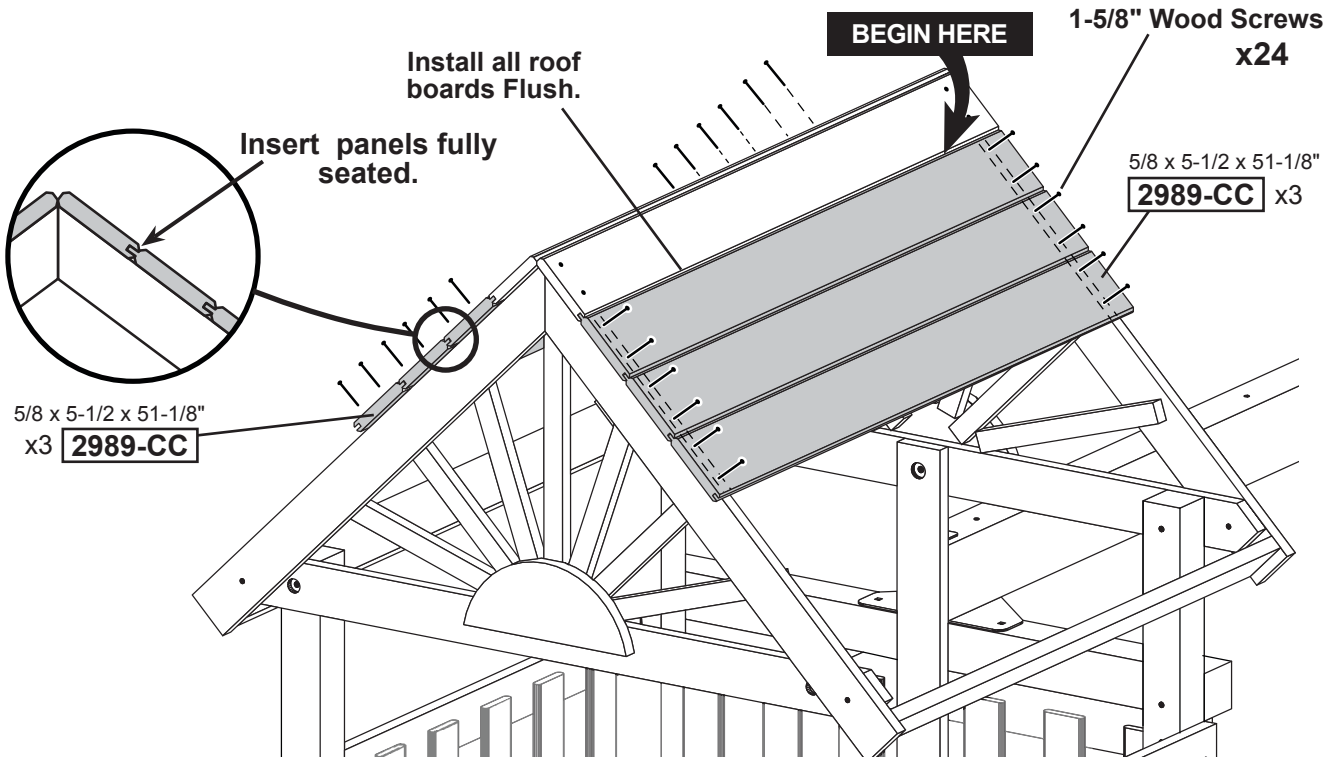
1-5/8" Wood Screws x8

5/8 x 5-1/8 x 51-1/8" 2987-CC x2



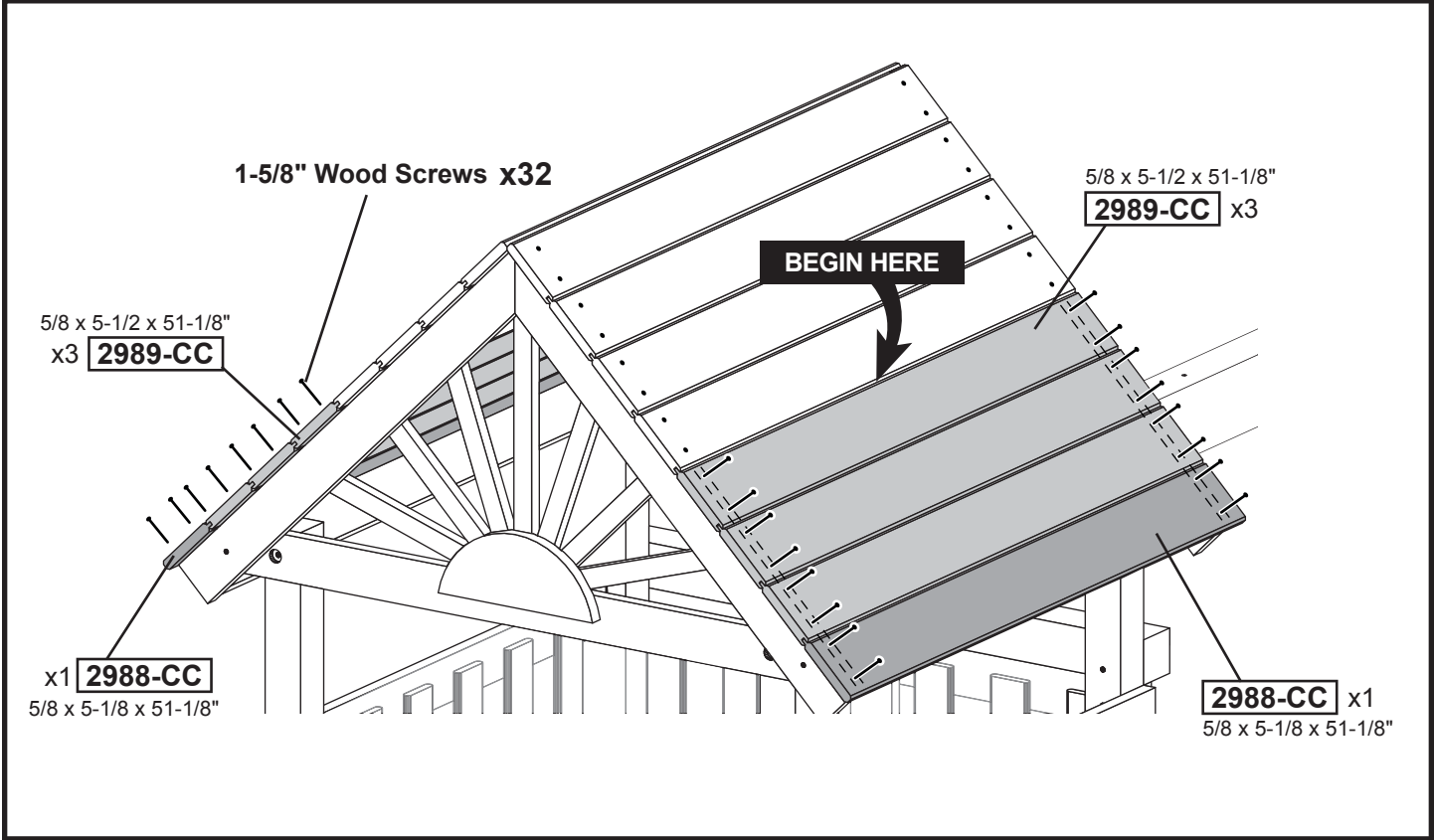
# ROOF PLANKS

# INSTALL



# ROOF PLANKS

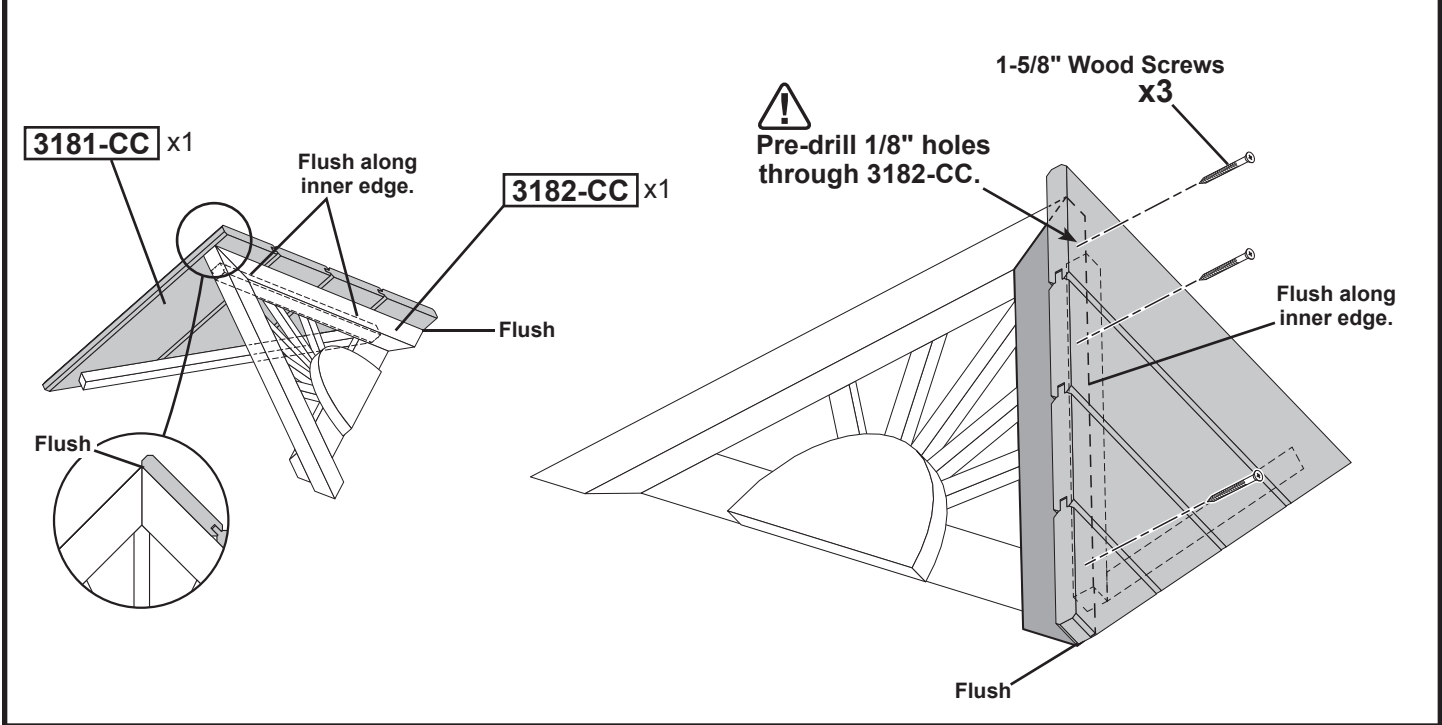
# INSTALL



# DORMER

# ASSEMBLE

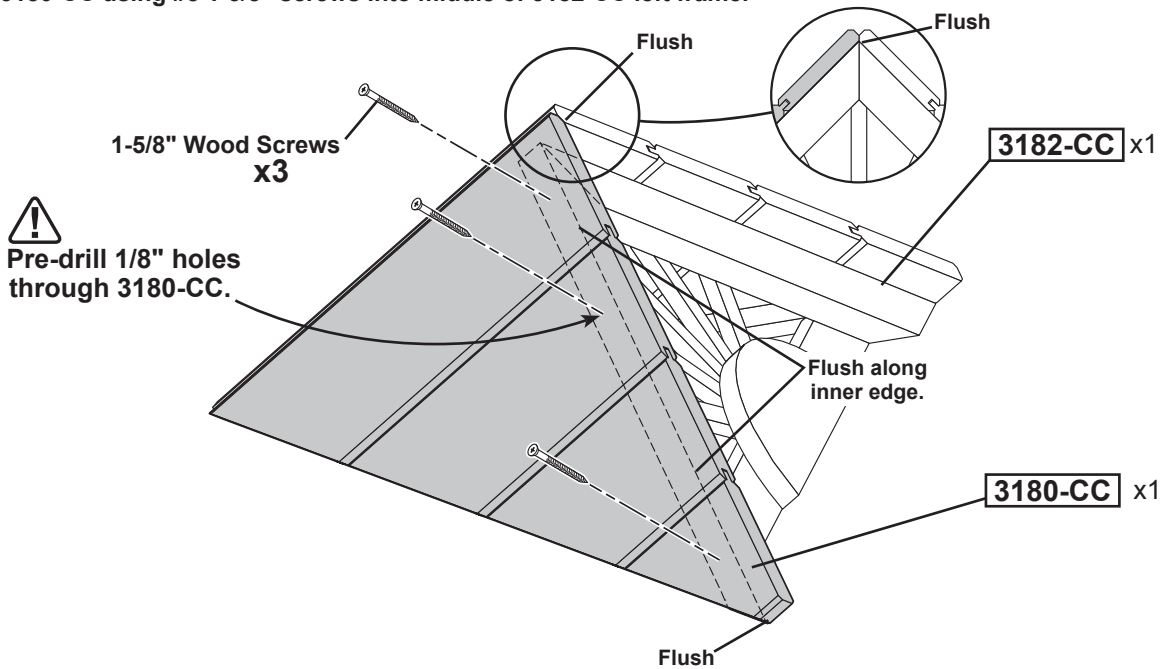
Align brace of 3181-CC flush with right frame of 3182-CC. Ensure flush at peak, all along edge and at corner.  
Attach 3181-CC using #8 1-5/8" screws into middle of 3182-CC right frame.



# DORMER

# ASSEMBLE

Align brace of 3180-CC flush with left frame of 3182-CC. Ensure flush at peak, all along edge and at corner.  
Attach 3180-CC using #8 1-5/8" screws into middle of 3182-CC left frame.

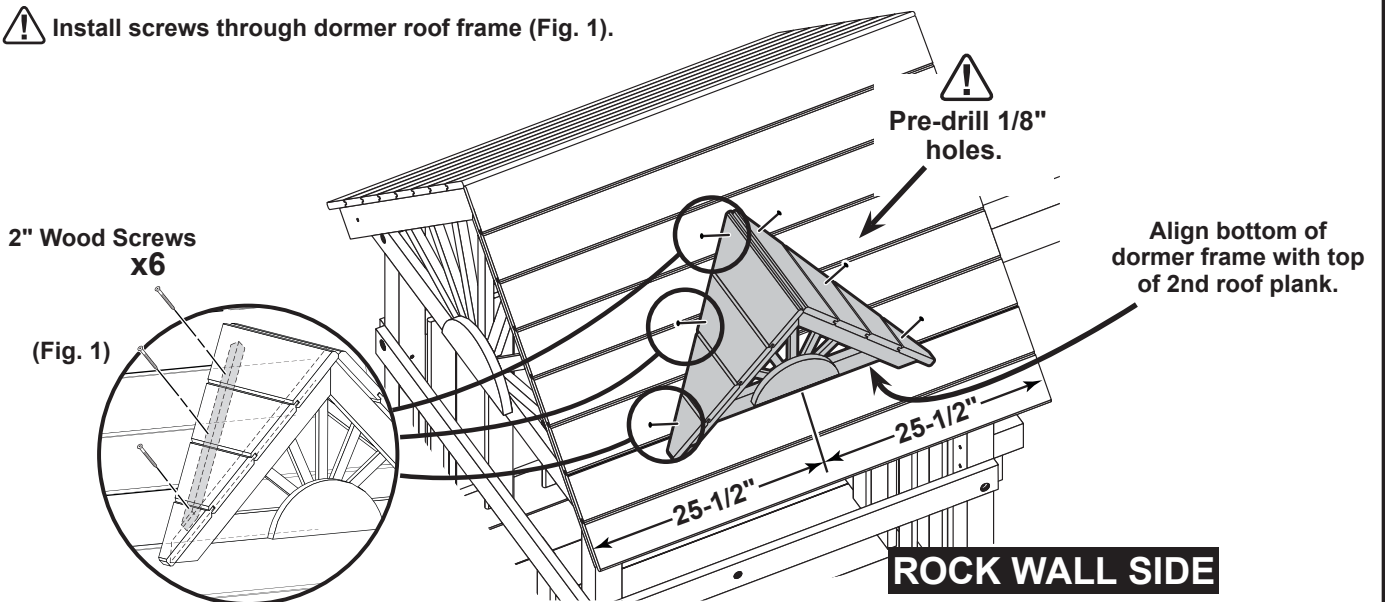


# DORMER

# INSTALL

Attach assembled dormer using #8 2" screws into roof planks as shown.

⚠ Install screws through dormer roof frame (Fig. 1).



RETURN TO PLAYSET INSTRUCTION MANUAL





# WARRANTY

Backyard Play Systems warrants the following:

1. All wood components have a Limited Five Year Warranty.
  - Treated Wood - Backyard Play Systems will replace treated wood which becomes structurally unfit due solely to damage caused by fungal decay or termites.
2. All non-wood components\* have a three year Limited Warranty.
  - \*Ropes carry a one year Limited Warranty.
3. Installation labor has a one year Limited Warranty applicable on playsets installed by Backyard Play Systems. Labor warranty does NOT apply to Do-It-Yourself playset kits or kits installed by a third party.

Backyard Play Systems will repair, replace or pay for the affected part at our discretion. In no event shall Backyard Play Systems pay the cost of labor or installation or any other costs related thereto.

Non-residential use of the system is prohibited and will void this warranty as the system is designed for residential use only.

## Conditions

The warranty is effective only when:

1. The unit has been erected in accordance with the assembly instructions.
2. The unit has been regularly and properly maintained and inspected.
3. The failure occurs when the unit is owned by the original purchaser.
4. This warranty is non-transferable
5. Backyard Play Systems has received a copy of your original proof of purchase with any claims in writing.
6. Backyard Play Systems has had reasonable opportunity during the sixty (60) days following the receipt of notification to inspect and verify the failure prior to commencement of any repair work.
7. "Significant color changes" to wood components is at the discretion of Backyard Products and require proof in the form of photographs or inspection by Backyard Play Systems.

Wooden components may have imperfections such as checks and knots. These are natural blemishes and imperfections which are inherent to wood. The imperfections not resulting in structural failure are not covered under this warranty.

## Requirements

To validate your warranty it is necessary to fill out and mail in the enclosed warranty card. And also to maintain and inspect your playset regularly. Regularly is defined as once per start and end of season.

## Claim Procedure

To make a claim under this warranty, you can either call 1-866-890-2211 or prepare a letter. Please have ready the information below when you call or include the information in writing:

1. The model and size of the product.
2. A list of the part(s) for which the claim is made.
3. Proof of purchase of the Backyard Play Systems item, as shown on the original invoice.
4. Run Code, as listed on the enclosed warranty card.

Mail the above information to:

Backyard Play Systems  
Attn: Customer Service  
1000 Ternes Dr.  
Monroe, MI 48162

# WARRANTY

Please feel free to call our Consumer Help Line Toll Free

**1-866-890-2211**

**April through October M - F 8:00 AM to 7:00 PM EST**

**Saturday 8:30 AM to 4:30 PM EST**

**November through March M - F 8:00 AM to 5:00 PM EST**

No warranty is offered on the following: (1) equipment subject to abuse, negligence, improper installation, vandalism, acts of God, unauthorized alteration or attachment to equipment other than our own: or (2) equipment subjected to improper use, service or repair by customer or any third party.

**To the maximum extent permitted by law, this warranty and the remedies set forth herein are exclusive and expressly in lieu of all other warranties, expressed or implied, including warranties of merchantability or fitness for a particular purpose. If Backyard Play Systems cannot disclaim or exclude implied warranties under applicable law, then to the extent possible any claims under any such implied warranties shall expire on expiration of the applicable warranty period. Some states do not allow limitations on how long an implied warranty lasts, so the above limitation may or may not apply to you. Backyard Play Systems does not assume, or authorize any person to assume for us, any other liability in connection with the sale of our products.**

**To the maximum extent of the law, Backyard Play Systems assumes no responsibility for incidental or consequential damages which may arise from the purchase or use of our playset or equipment. Some states do not allow the exclusion or limitation of incidental or consequential damages, so the above limitation or exclusion may not apply to you.**

If any provision of this limited warranty is invalid, void or unenforceable in any instance or respect, the unenforceable provision will be severed and reformed to effect the intent of this limited warranty to the maximum extent possible, and the remaining provisions shall continue in full force and effect and shall be enforced to the full extent permitted by law.

This warranty gives you specific legal rights, and you may also have other rights which vary from state to state.

- WARRANTY TERMS MAY VARY OUTSIDE THE U.S.A.**
- This manual is your warranty certificate. Please retain your original proof of purchase and this manual for any warranty claims.



A PLAYCORE Company

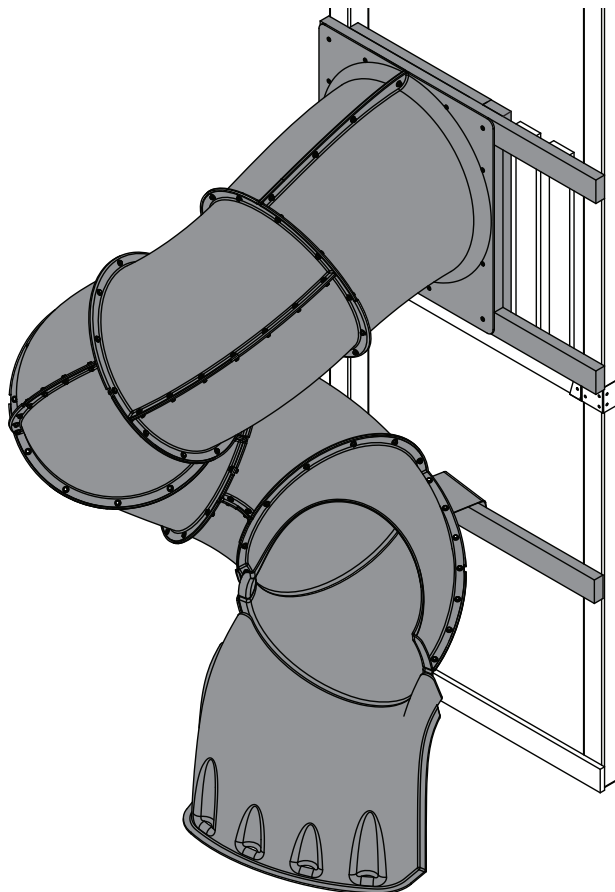
# ASSEMBLY INSTRUCTIONS

## *5' Turbo Tube Slide*

**Note:** This accessory is designed to fit a 5' Deck height only.

### CAUTION

- Do not climb on the outside of the slide
- This slide is designed for home use only, not for Public Playgrounds
- Product intended for children ages from 2-10 years old.



### WARNING:

**Assembly by an adult.**

## IMPORTANT!!

PLEASE READ BEFORE BEGINNING ASSEMBLY!!

Please make sure all lumber, hardware and accessory parts are accounted for. If you are missing anything, please **DO NOT RETURN** to the store where purchased. Please call our Customer Service Department at the number below.

To register your product and download unit specific Turbo Tube Slide instructions, visit:

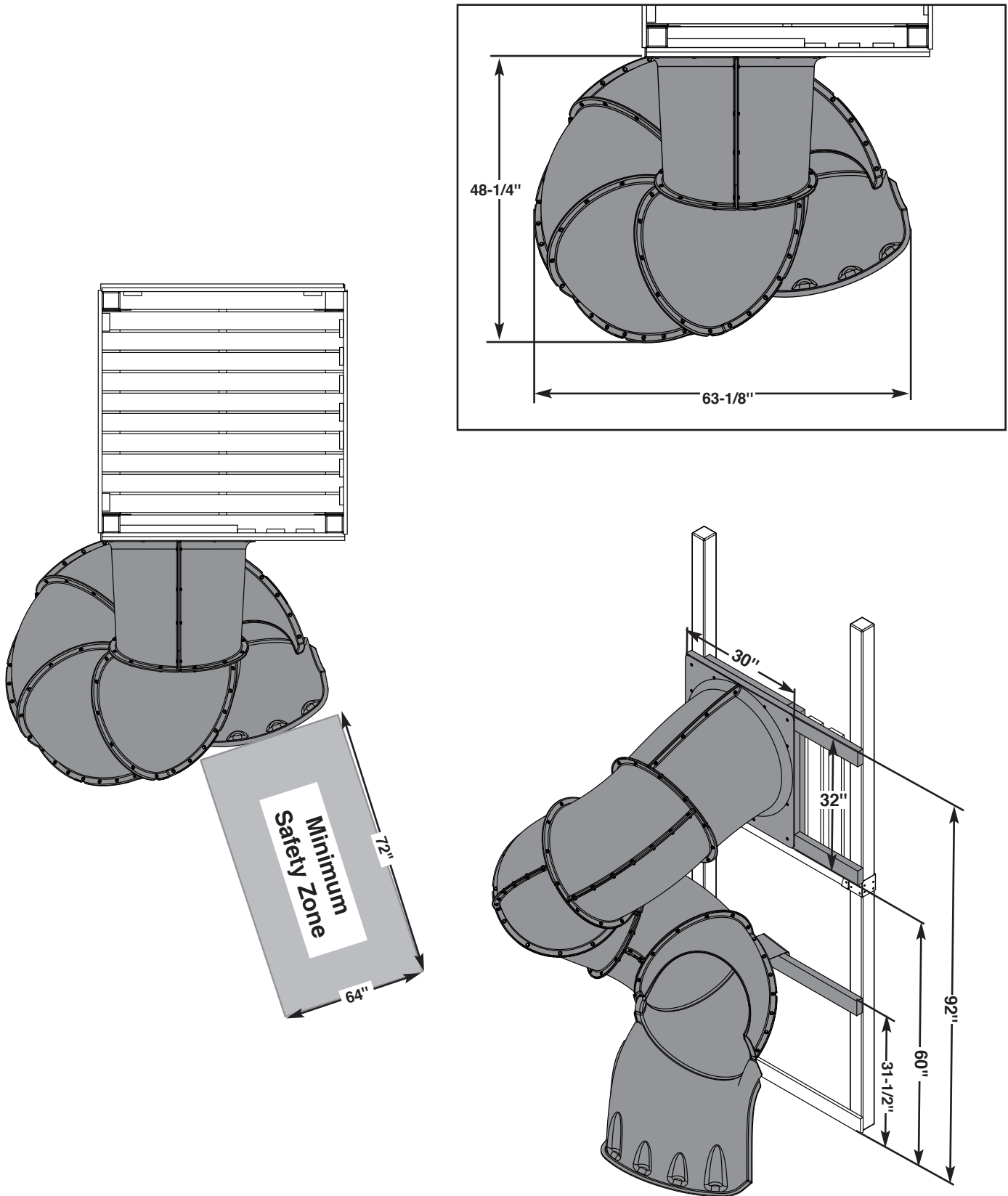
<http://www.swing-n-slide.com>

Other benefits include information on product warranties, assembly plan updates, joining our mailing list for new products and promotions, and providing feedback on products.

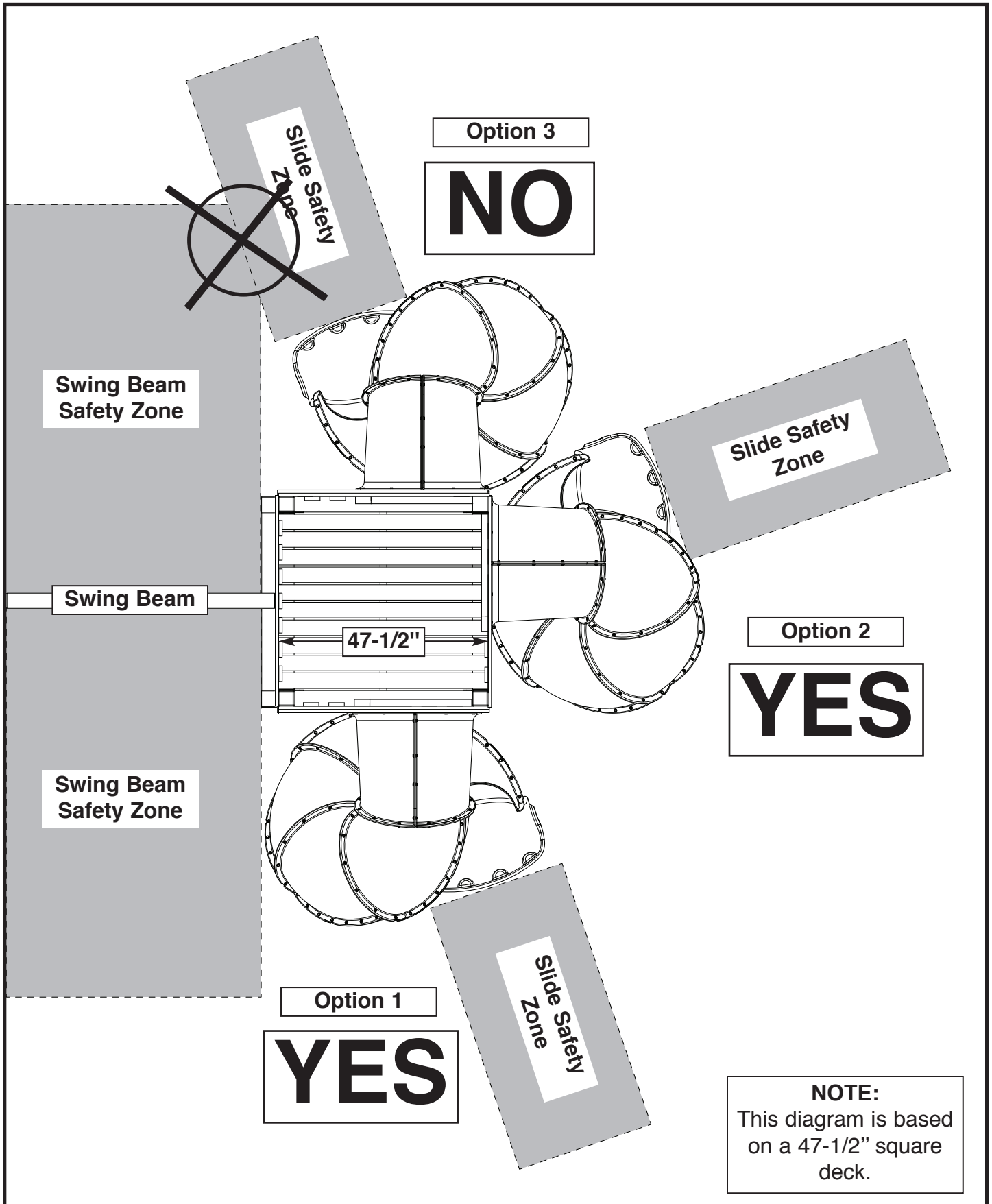
Swing•N•Slide • 1212 Barberrry Drive • Janesville, Wisconsin 53545  
Visit our web site at: [www.swing-n-slide.com](http://www.swing-n-slide.com) or call us at

**1-800-888-1232**

# Turbo Tube Slide Dimensions



# Proper Placement of Turbo Tube Slide on The Tower





## Safety Checklist for Swing-N-Slide Play Sets and Accessories

Observing the following statements and warnings reduces the likelihood of serious or fatal injury

### Installation Safety – Have You:

- Consulted the assembly instructions supplied with your particular model?
- Noted this accessory is to be used only on Swing•N•Slide approved designs? (Do not alter its design or add/remove components.)
- Made sure all hardware is tightened securely? (Supplied bolt covers must also be fastened securely.)
- Using a hacksaw, cut off all protruding threaded ends of bolts and other fasteners and remove any sharp edges with a metal file as needed, and coated fastener ends with lead free paint?
- Placed the equipment on level ground, not less than six feet (1.8 meters) from any structure or obstruction such as a fence, garage, house, overhanging branches, laundry lines, or electrical wires?
- Made sure home playground equipment is not installed over concrete, asphalt, packed earth or any other hard surface? (A fall onto a hard surface can result in serious injury to the equipment user.)
- Verified that suspended climbing ropes, chain, or cable are securely anchored at both ends and cannot be looped back upon itself?
- Consulted in assembly instructions of your particular model for minimum use zones?
- Used a water sealant on your play set to protect the wood and prevent cracking and warping?
- Followed all anchoring and shock absorbing surfacing requirements on the back of this sheet as they apply?
- Made sure not to allow children to use equipment until it is properly installed?
- Made sure to adjust all swings so there is a minimum 8" clearance between the swing and the ground surface?

### Operating Safety – Have You:

- Determined that on-site adult supervision is provided for children of all ages?
- Warned children the following before allowing them to use the equipment?
  - Not to walk close to, in front of, behind or between moving items.
  - Not to twist swing or any other accessory chains or ropes or loop them over the top support bar since this will reduce the strength of chain or rope.
  - Not to swing empty seats or other accessories.
  - Not to slide down swing chains.
  - Be sure to sit in the center of the swing seat and other accessories with full weight on the seat.
  - Not to attach items to the playground equipment that are not specifically designed for use with the equipment such as but not limited to, jump ropes, clotheslines, pet leashes, cables and chain. They may cause a strangulation hazard.
  - Not to climb or walk on the top of swing beams, railings or roof.
  - Not to use equipment in a manner other than intended.
  - Not to get off equipment while it is in motion.
  - Not to climb on the equipment when it is wet.
  - Be sure to go down slides feet first.
- Determined that only one child per planned occupant seat should be allowed on this set at one time.
- Determined children must be dressed appropriately for play. Avoid hooded jackets, bicycle or other sports helmets, clothing with draw strings and loose fitting clothes which could become entangled or snagged on equipment.
- Determined that suspended climbing ropes, chain, or cable are securely anchored at both ends and cannot be looped back upon itself.
- Made certain the slide is placed so that it is not in direct sunlight.

### Safety Maintenance – Follow these preventive maintenance instructions at the intervals required:

- To prevent the deterioration of materials, remove plastic swing seats and other plastic accessories when outdoors temp dips down to or below 32° F and take indoors. Reinstall these plastic elements at the beginning of each play season.
- At the beginning of each play season check metal parts for rust. If found, sand and repaint using a non lead-based paint meeting the requirements of 16 CFR 1303 or SOR/2005-109.
- At the beginning of each play season and once a month during each play season, check all moving parts for wear, rust or other deterioration. Replace as needed. If any of these conditions exist, call 1-800-888-1232 to order replacement accessories.
- At the beginning of each play season and once a month during each play season lubricate metallic moving parts.
- At the beginning of each play season and twice a month during each play season, check all protective coverings on bolts, pipes, edges, and corners. Replace if they are loose, cracked, or missing.
- At the beginning of each play season and twice a month during each play season, rake and check depth of loose fill protective surfacing material to prevent compaction and maintain appropriate depth. Replace as necessary.
- At the beginning of each play season and twice a month during each play season tighten all hardware.
- At the beginning of each play season and twice a month during each play season, check all wood members for deterioration and splinters. Sand down splinters and replace deteriorating wood members.

### Disposal Instructions

When the equipment is taken out of service, it must be disassembled and disposed of in such a way that no unreasonable hazards will exist at the time the set is discarded.

**Important! Additional Safety Instructions for all Swing-N-Slide Playground Equipment.  
Save this instruction sheet in the event the manufacturer needs to be contacted.**

***This product is intended for single family home/residential use only and not intended for use in any public setting. Placement in any public setting constitutes a misuse of this product.***

### **IMPORTANT!**

#### **ADDITIONAL REQUIRED SAFETY INSTALLATION INSTRUCTIONS**

According to ASTM requirements, all kits must be anchored to the ground and, if the unit has a climbing rope, the rope end must be anchored to the ground. If soil conditions permit stakes to be pulled out easily, cementing into ground is necessary.

- **To anchor the unit to the ground.** Follow the instructions included in this plan for applying Anchor-It devices to your unit, or use 2" x 4" x 18" (45mm x 95mm x 457mm) pressure-treated stakes. Pound stakes into ground at least 12" (305mm) at all inside corners of the posts (including A-frame legs and climbing unit posts). Attach with four (4) 16D (3-1/2") galvanized nails per stake into each tower and/or A-frame upright.
- **If the unit has a climbing rope,** securely anchor the rope at both ends.
- **Once the unit is completely assembled and before children are allowed to play on it, proper shock-absorbing surfacing material must be installed.** This may be accomplished by using loose-fill materials at a sufficient depth. The Consumer Product Safety Commission "Handbook for Public Playground Safety" lists the following materials and required depths that are sufficient for home/residential application. Supplemental information may be found in ASTM F1292. For fall height protection up to 9 ft. (2.742m) [recommended for Swing•N•Slide kits]:

<u>LOOSE FILL MATERIAL</u>	<u>REQUIRED (UNCOMPRESSED) DEPTH<sup>1</sup> in. (mm)</u>
Wood Mulch	9" (229mm)
Double Shredded Bark Mulch	9" (229mm)
Uniform Wood Chips	12" (305mm)

<sup>1</sup>These depths were derived from the CPSC Handbook. Swing•N•Slide has not done independent tests to determine these required depths. When properly installed, shock absorbing material will completely cover the horizontal baseboards on climbing units. This protective surfacing must extend a **minimum** of 6 ft. (1.828m) in all directions from the perimeter of the equipment or from the outermost edges of any component. For example, a slide extending beyond the platform must have protective surfacing at least 6 ft. (1.828m) out from both sides as well as the end. For swings, the protective surface must extend **at least 14 ft. (6m)** out from **both** the back and front of the swing when the swing is in its rest position.

**For further information on playground safety, the Consumer Product Safety Commission (CPSC) publishes the Outdoor Home Playground Safety Handbook which can be downloaded for free from [www.cpsc.gov](http://www.cpsc.gov). An additional resource is the American Society of Testing and Materials (ASTM) Standard Consumer Safety Performance Specification for Home Playground Equipment (ASTM F1148) which can be purchased and downloaded from [www.astm.org](http://www.astm.org).**

### **Swing-N-Slide® MANUFACTURERS LIMITED WARRANTY**

Swing-N-Slide® takes great pride in the quality and durability of our products. Our Manufacturer's Limited Warranty provides confidence and demonstrates our commitment to providing quality residential playground products.

#### **MANUFACTURER'S LIFETIME LIMITED WARRANTY**

Swing-N-Slide® warrants its thermoformed slides and climbing mountains to be free from defects in workmanship and materials, under normal use and conditions, for the lifetime of the product.

#### **MANUFACTURER'S 5 YEAR LIMITED WARRANTY**

Swing-N-Slide® warrants its Custom Ready-to-Build Play Set kits and accessories to be free from defects in workmanship and materials, under normal use and conditions, for a period of 5 years.

#### **MANUFACTURER'S 5 YEAR LIMITED WARRANTY**

Swing-N-Slide® warrants its No-Cut and Wood Complete Ready-to-Assemble Play Set kits against wood rot and termite damage, and to be free from defects in workmanship and materials, under normal use and conditions, for a period of 5 years for structural wood components.

**Cosmetic defects** that do not affect the structural integrity of the product, or natural defects of wood such as warping, splitting, checking, twisting, shrinkage, swelling or any other physical properties of wood that do not present a safety hazard, are not covered by this warranty.

#### **MANUFACTURER'S ONE YEAR WARRANTY**

Swing-N-Slide® warrants its canopy roofs and/or tarps, and Timber GLOVE lumber wrap to be free from defects in workmanship and materials, under normal use and conditions, for a period of one year.

Swing-N-Slide® will repair, or at its discretion, replace any part within the stated warranty period which is defective in workmanship or materials. This decision is subject to verification of the defect upon delivery of the defective part to Swing-N-Slide® at 1212 Barberry Drive, Janesville, Wisconsin, 53545. Any part(s) returned to Swing-N-Slide® must have prior approved Return Authorization Number and proof of purchase, including the date of purchase. This warranty is valid only if the product is used for the purpose for which it was designed and installed at a residential, single family dwelling. This warranty is void if the product is put to commercial or institutional use. This warranty does not cover (a) products which have been damaged by acts of Nature, negligence, misuse, or accident, or which have been modified or repaired by unauthorized persons; (b) the cost of labor; or the cost of shipping the product, any part, or any replacement product or part.

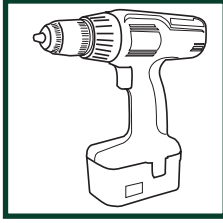
Swing-N-Slide® DISCLAIMS ALL OTHER REPRESENTATIONS AND WARRANTIES OF ANY KIND, EXPRESS, IMPLIED, STATUTORY OR OTHERWISE, INCLUDING THE IMPLIED WARRANTIES OF MERCHANTABILITY AND FITNESS FOR A PARTICULAR PURPOSE. Swing-N-Slide® WILL NOT BE LIABLE FOR ANY INCIDENTAL OR CONSEQUENTIAL DAMAGES. This warranty is non-transferable and does not extend to the owners of the product subsequent to the original purchaser. Some states do not allow limitations on implied warranties or exclusion of incidental or consequential damages, so these restrictions may not be applicable to you. This warranty gives you specific legal rights. You may also have other rights, which vary from state to state.

#### **This warranty also does not apply to:**

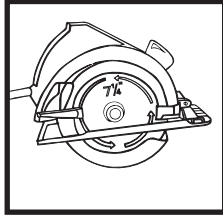
- Structures not erected, maintained or inspected in conformance with **Swing-N-Slide®** installation plans
- Structures that have had parts added or substituted not in conformance with **Swing-N-Slide®** installation plans
- Parts that have been modified, altered or misused
- Parts that have not been used as designed or intended
- Damage due to acts of Nature, vandalism, abnormal use or abuse as determined by **Swing-N-Slide®**



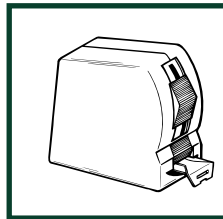
**TOOLS REQUIRED**



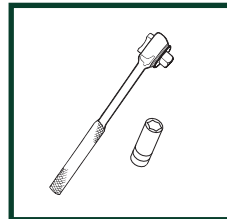
**DRILL**



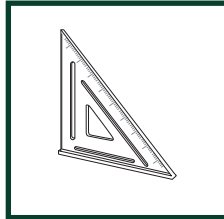
**CIRCULAR SAW**



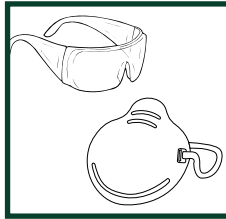
**TAPE MEASURE**



**1/2" SOCKET & WRENCH**



**SQUARE**



**SAFETY GLASSES  
& DUST MASK**



**WRENCH**

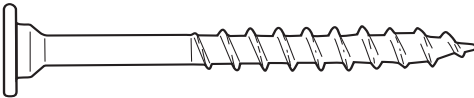
**HARDWARE INCLUDED**



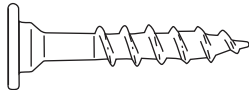
**(2) 2" Wood Screw**



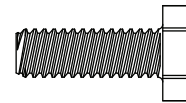
**(70) 2-1/2" Wood Screw**



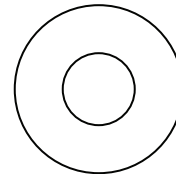
**(16) 2" Lag Screw**



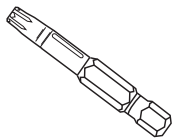
**(2) 1-1/4" Lag Screw**



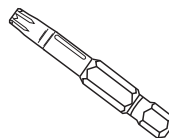
**(119) 5/16" x 3/4" Hex Head Bolts**



**(240) 5/16" Flat Washers**



**(1) T20 Torx® Bit**



**(1) T30 Torx® Bit**

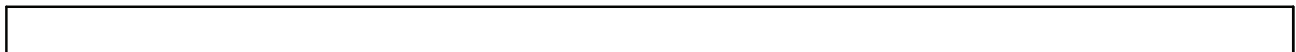


**(119) 5/16" loc nuts**

**ADDITIONAL LUMBER PURCHASED SEPARATELY**

**LUMBER CUT LIST**

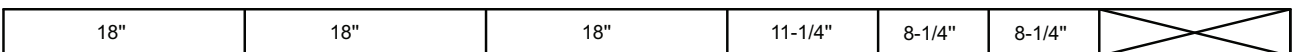
**LUMBER REQUIRED:** (4) 2" x 4" x 96"



(2) 2" x 4" x 96"



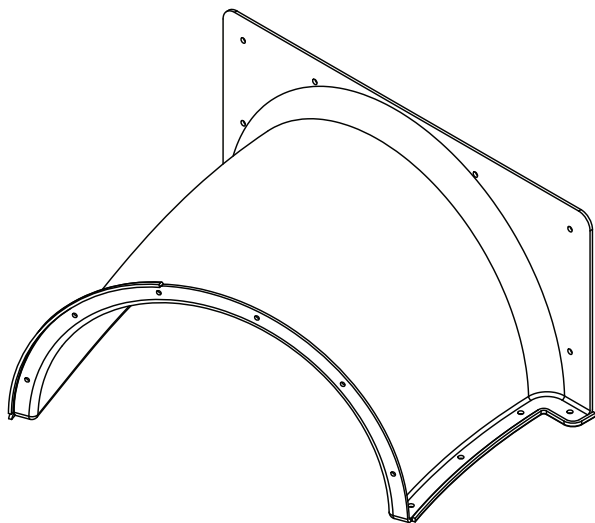
(1) 2" x 4" x 96"



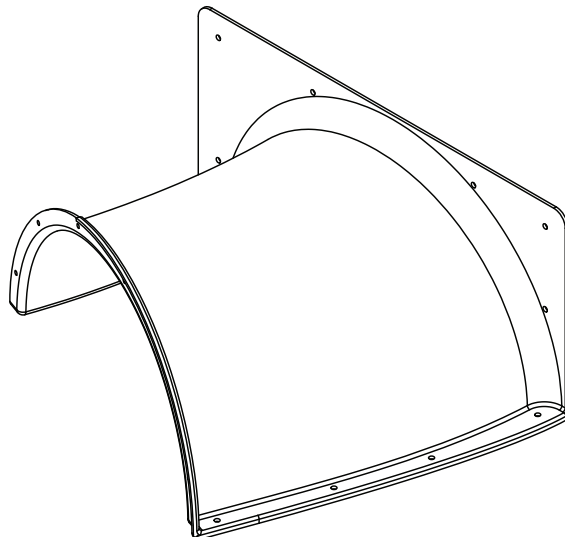
(1) 2" x 4" x 96"



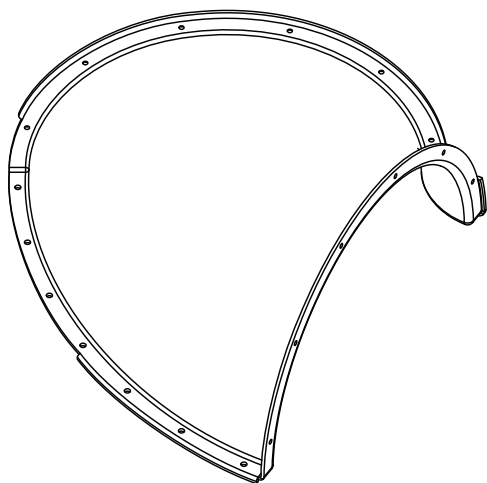
# SLIDE COMPONENTS



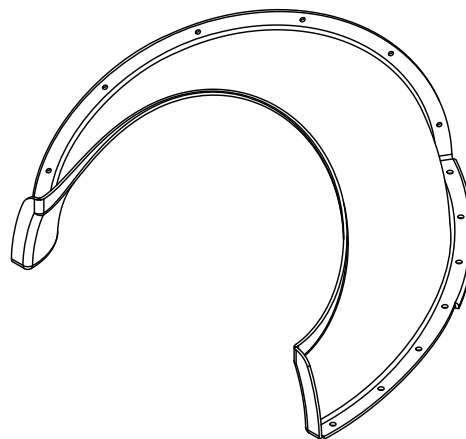
(1) Entrance Piece LH



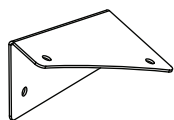
(1) Entrance Piece RH



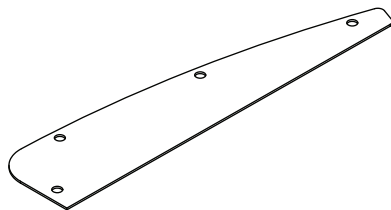
(9) Elbow



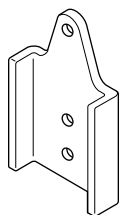
(1) Exit Elbow



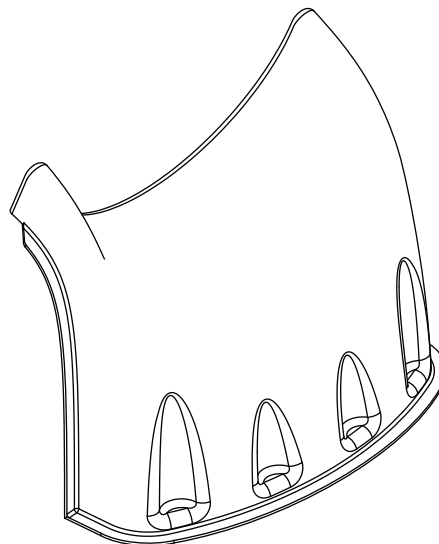
(1) Elbow Support Bracket



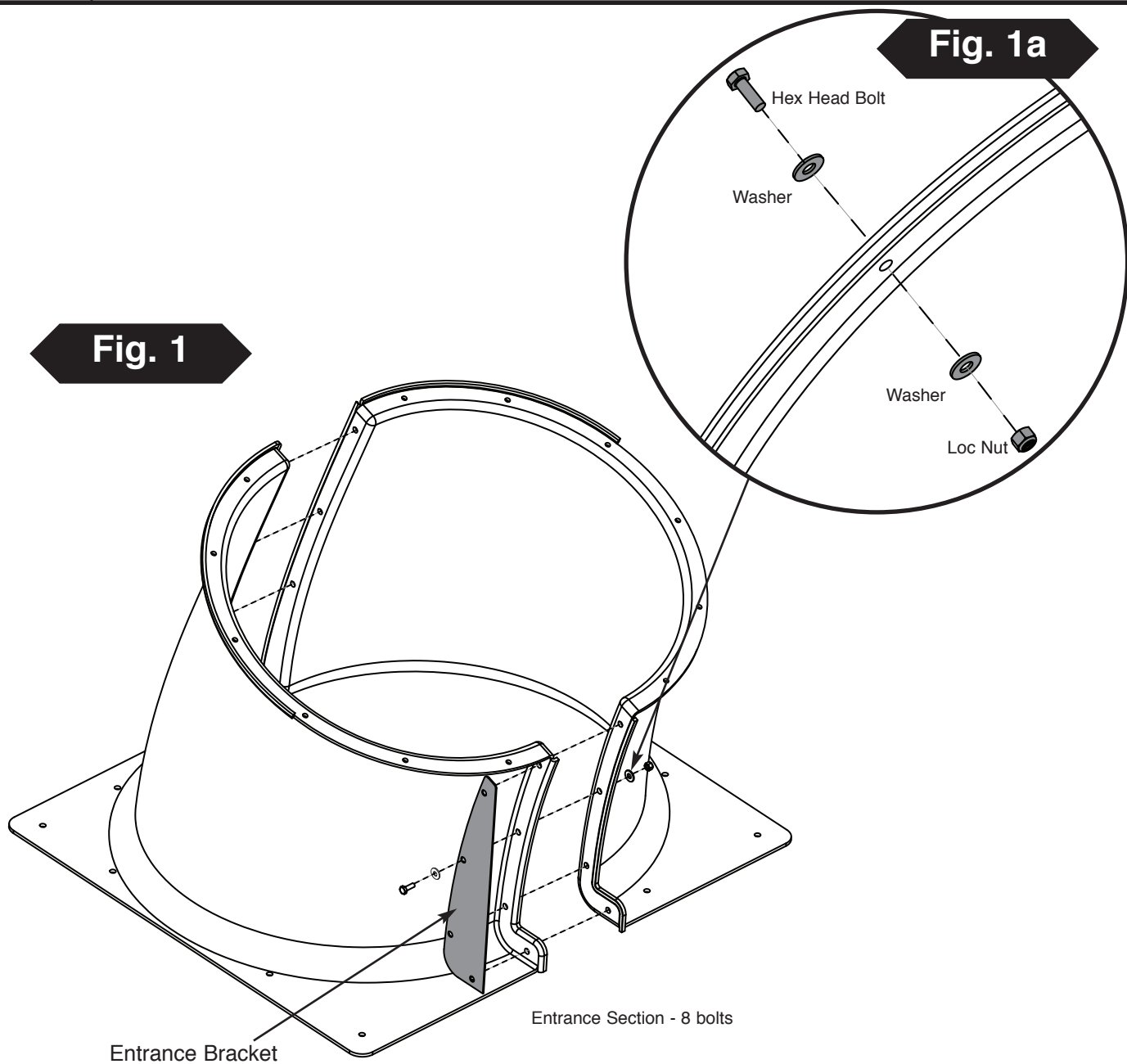
(1) Entrance Bracket



(1) T-Bar Support Bracket



(1) Exit



### **ENTRANCE SECTION ASSEMBLY**

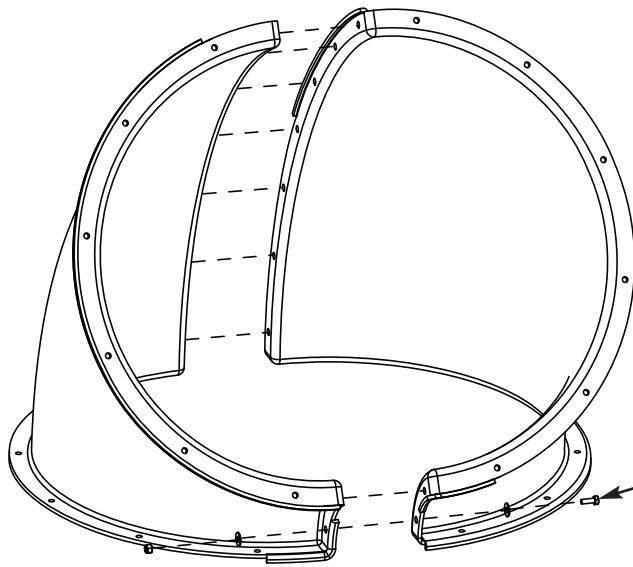
#### **NOTES:**

- At least two individuals are needed to assemble the 5' Turbo Tube Slide.
- To aid in aligning holes when assembling sections, insert a screwdriver through adjacent holes to maintain hole alignment.

1. Assemble the Entrance Section by securing the top seam first, as shown in **(Fig. 1)** and **(Fig. 1a)**. Join sections using a hex head bolt, two flat washers, and a loc nut at each hole junction.
2. When securing the bottom seam make certain to attach the **Entrance Bracket** to the left side of the seam as shown in **(Fig. 1)** securing in place as shown in **(Fig. 1a)**.
3. Tighten all hardware.

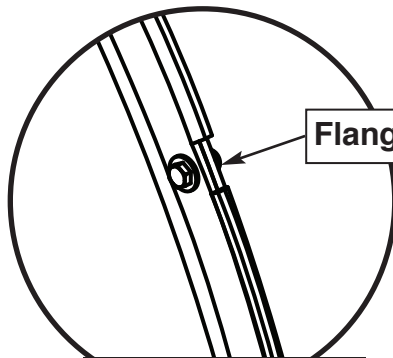
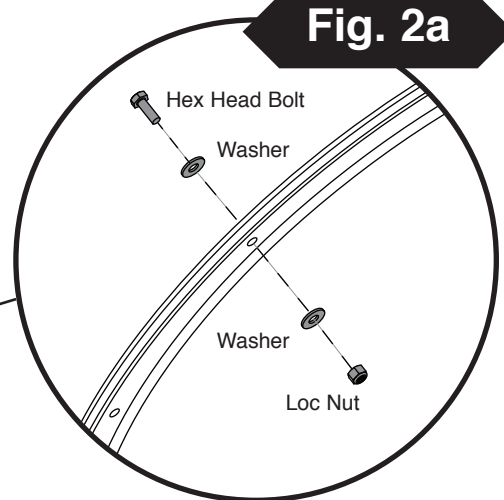
Fig. 2

x4



Elbow Section - 9 bolts each

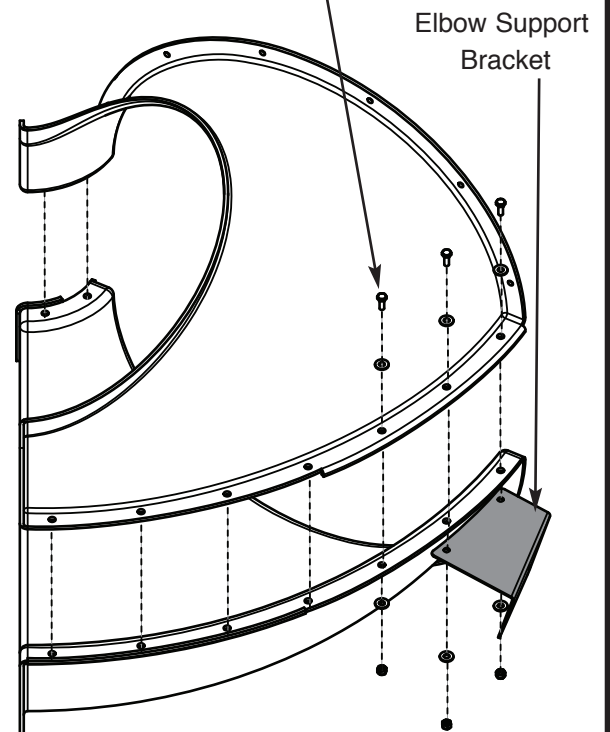
Fig. 2a



Flange Opening

FLANGE DETAIL

Fig. 2b



Elbow Support Bracket

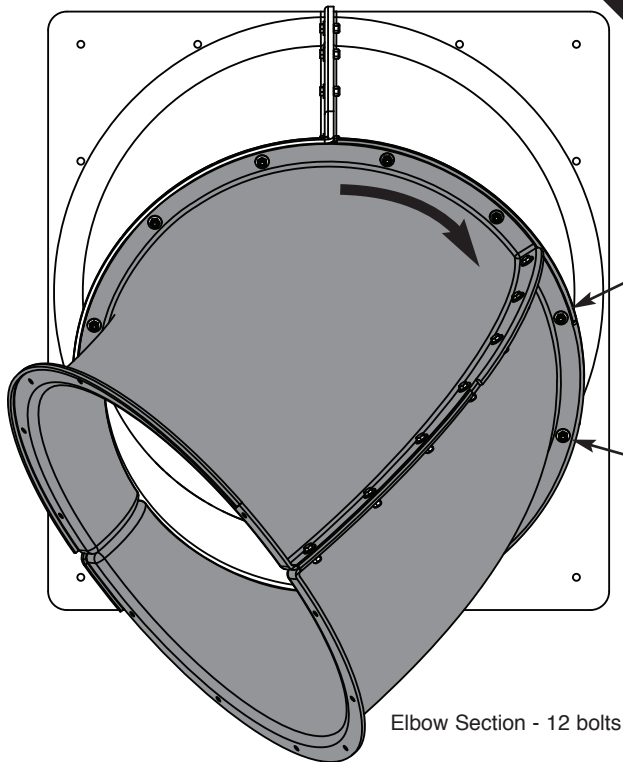
Exit Section - 9 bolts

**ELBOW AND EXIT SECTION ASSEMBLY**

1. Assemble the Elbow Section by securing as shown in (Fig. 2) and (Fig. 2a). Join sections using a hex head bolt, two flat washers, and a loc nut at each hole junction.  
**NOTE:** Fasten each loc nut finger tight. Each time you join parts be sure each flanged lip is mating with a flat lip.
2. Repeat step 1 to assemble (3) remaining Elbow Sections.
3. Assemble and secure the Exit Section as shown in (Fig. 2a) and (Fig. 2b). Make certain to attach the **Elbow Support Bracket** to the bottom of the flange, as shown in (Fig. 2b).
4. Tighten all hardware.

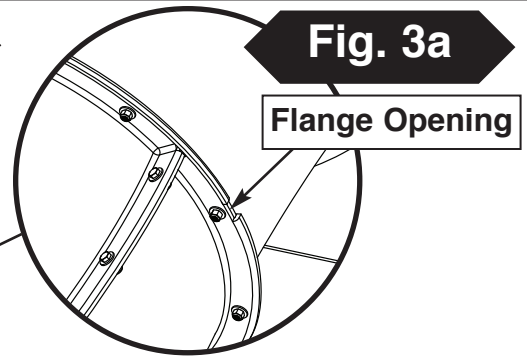
**NOTE:** Interlocking design of flanges on Elbow pieces will assist in assembly.

Fig. 3



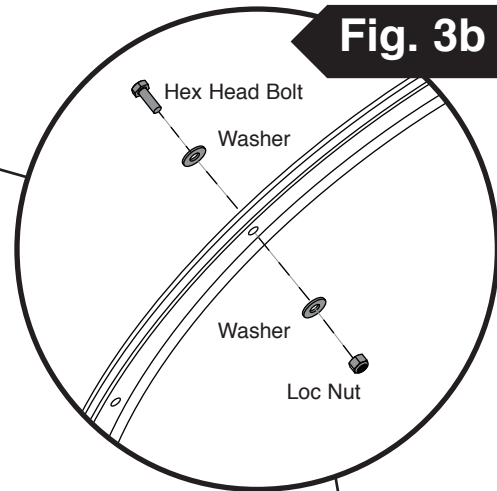
Elbow Section - 12 bolts

Fig. 3a



Flange Opening

Fig. 3b



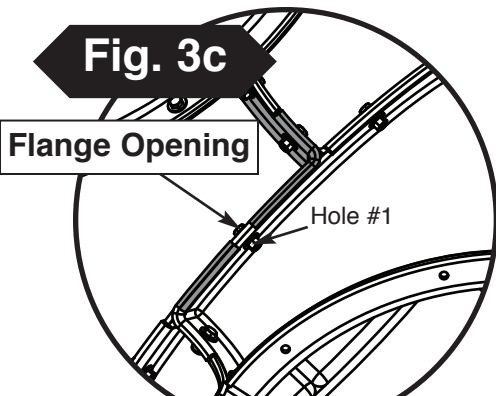
Hex Head Bolt

Washer

Washer

Loc Nut

Fig. 3c

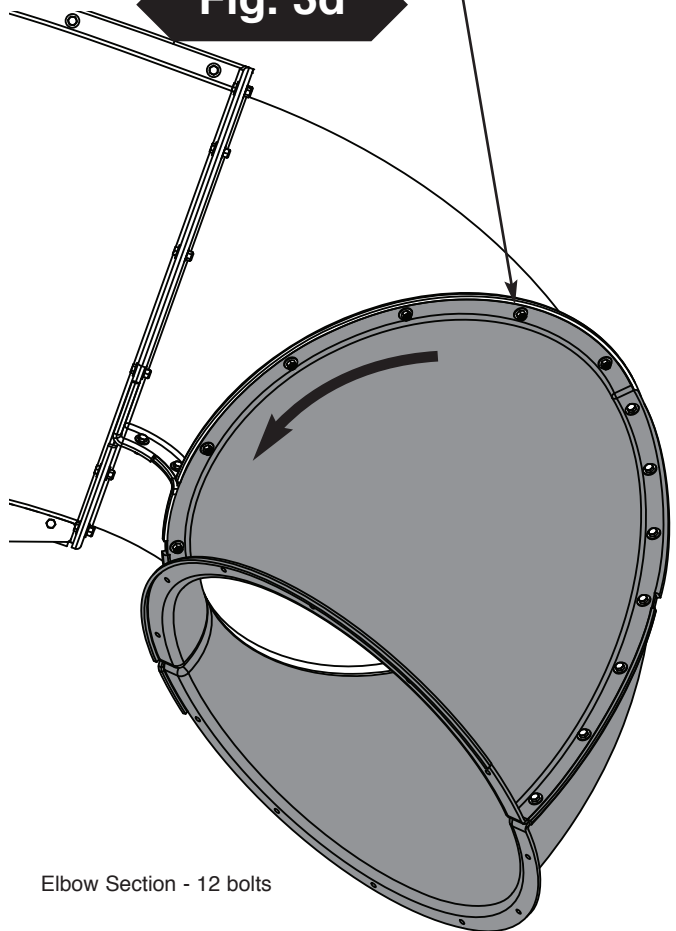


Flange Opening

Hole #1

FLANGE DETAIL

Fig. 3d

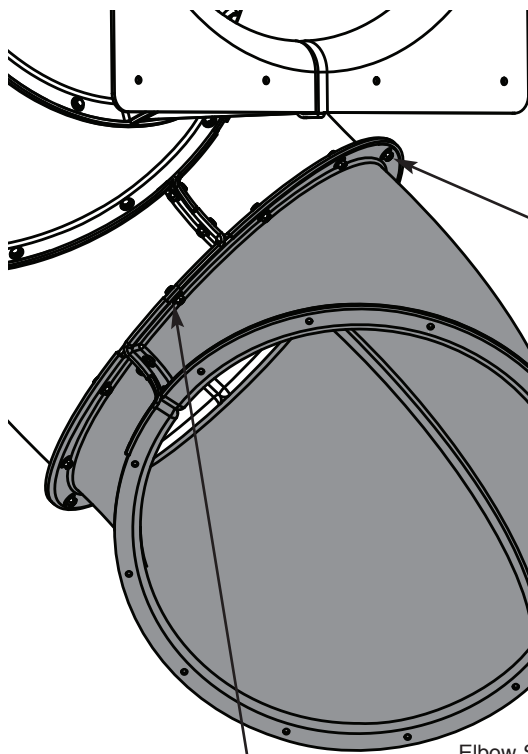


Elbow Section - 12 bolts

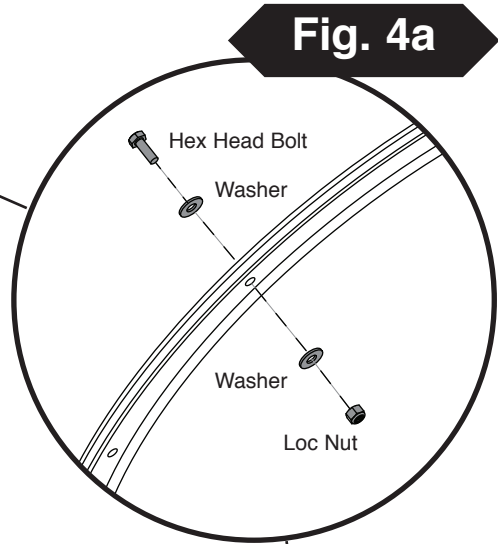
**Slide Elbows**

1. Align the first elbow section to the Entrance Section with the seams aligned and the exit facing downward. Rotate the Elbow (2) holes to the right as shown in (Fig. 3) and secure in place. Look for the Flange Opening shown in (Fig. 3a).
2. Align second elbow so that Hole #1 aligns with the flange opening as shown in (Fig. 3c) and (Fig. 3d) and secure in place.

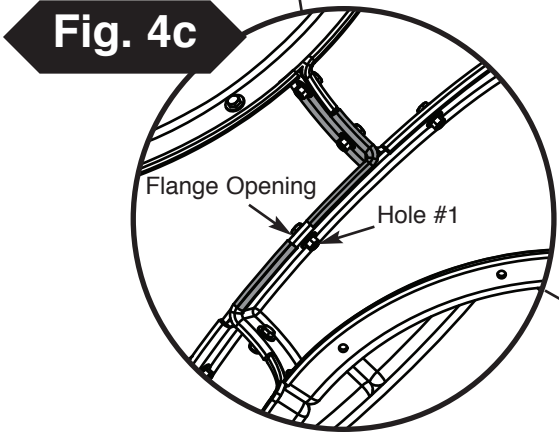
**NOTE:** Interlocking design of flanges on Elbow pieces will assist in assembly.  
**NOTE:** Hand tighten the loc nuts only.



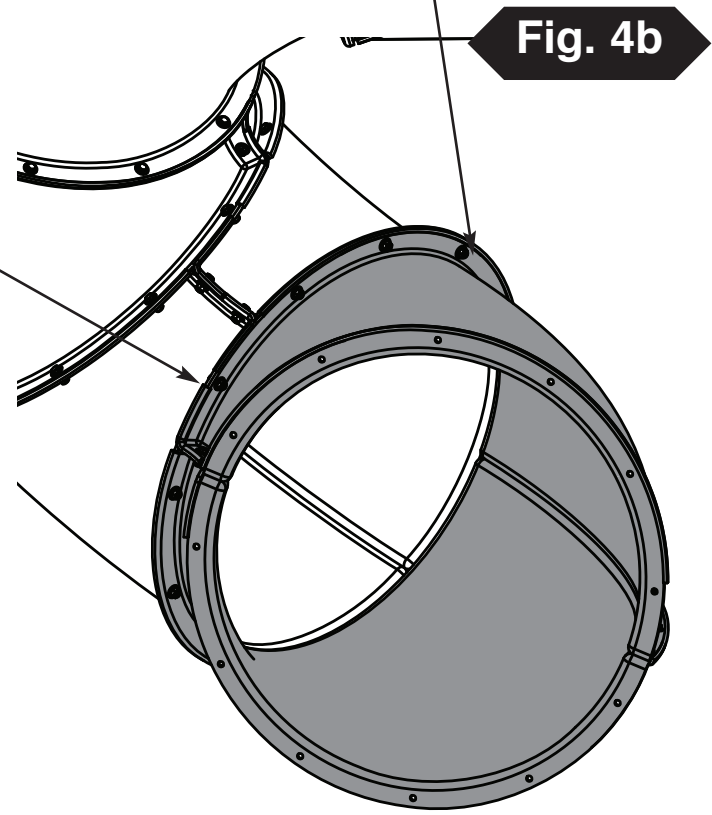
**Fig. 4**



**Fig. 4a**



**Fig. 4c**



**Fig. 4b**

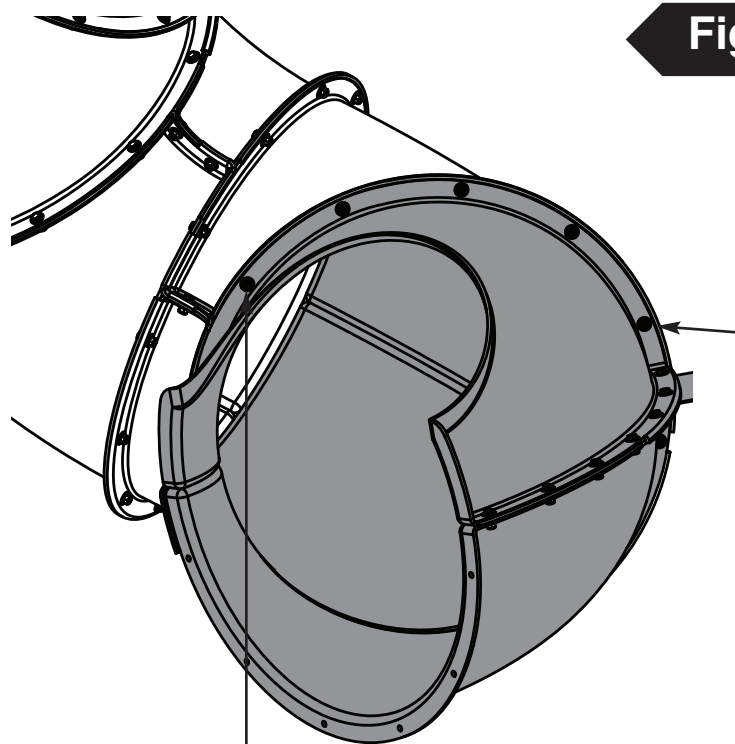
**Slide Elbows**

1. Align third elbow so that Hole #1 aligns with the flange opening as shown in **(Fig. 4)** and **(Fig. 4c)** and secure in place.
2. Align fourth elbow so that Hole #1 aligns with the flange opening, as shown in **(Fig. 4b)** and **(Fig. 4c)** and secure in place.

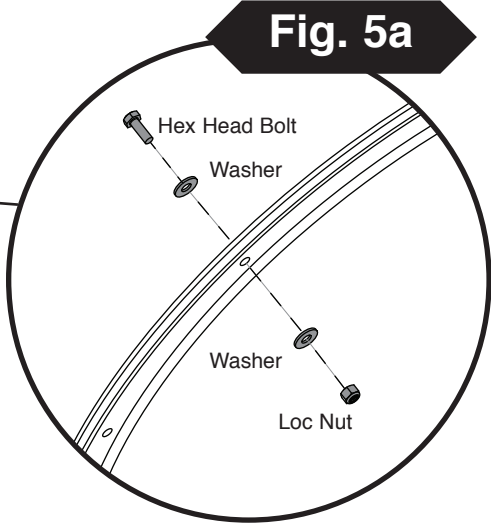
**NOTE:** Interlocking design of flanges on Elbow pieces will assist in assembly.

**NOTE:** Hand tighten the loc nuts only.

Elbow Section - 12 bolts

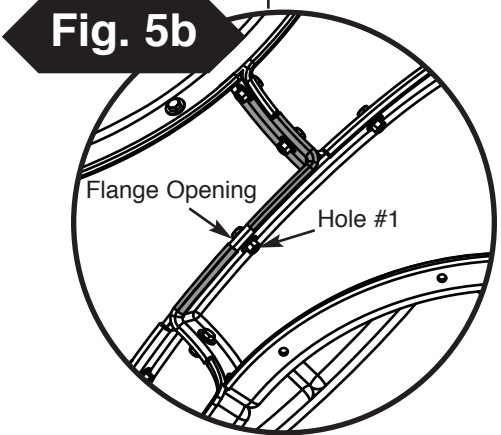


**Fig. 5**

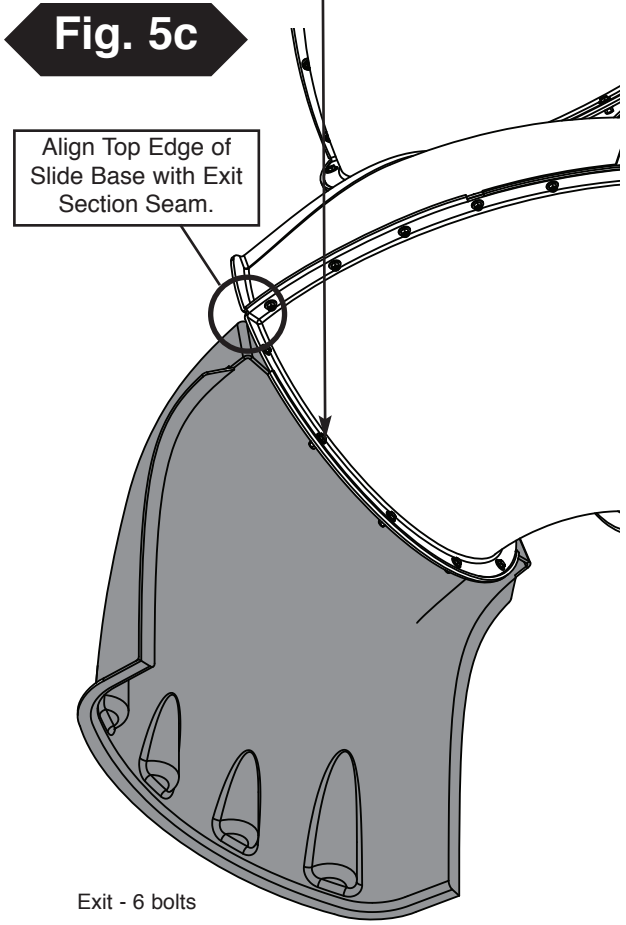


**Fig. 5a**

Exit Elbow Section - 12 bolts



**Fig. 5b**



**Fig. 5c**

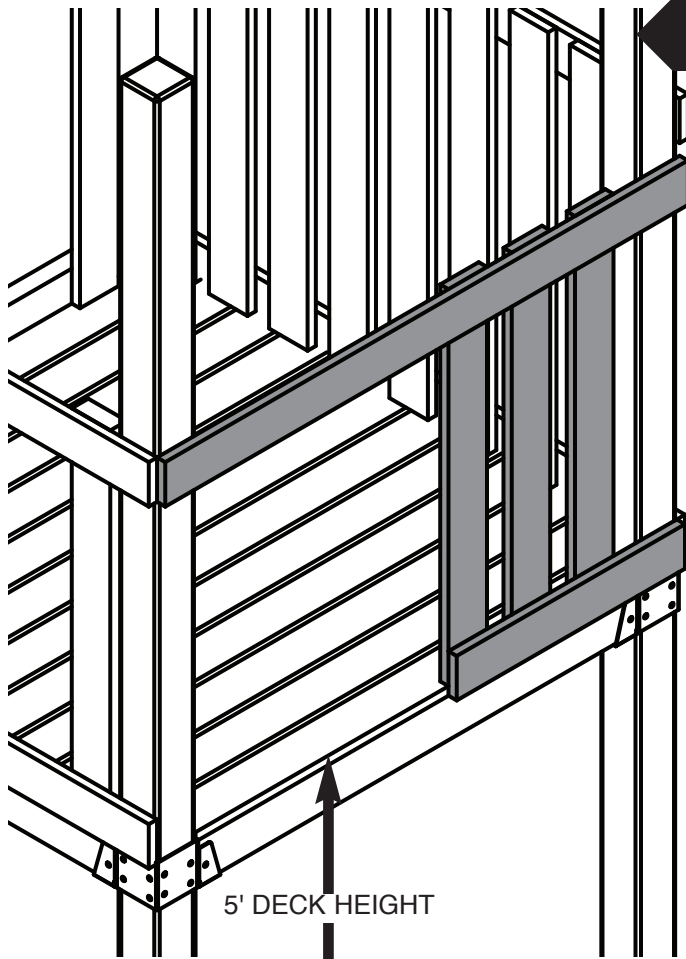
Exit - 6 bolts

**Slide Exit**

1. Align Exit Elbow Section so that Hole #1 aligns with the opening in the flange, as shown in **(Fig. 5)** and **(Fig. 5b)** and secure in place.
2. Attach the Exit to the Exit Elbow Section so that the top of the exit matches the seams, as shown in **(Fig. 5c)** and secure in place.
3. Tighten all hardware.

**NOTE:** Interlocking design of flanges on Elbow pieces will assist in assembly.

Fig. 6



**NOTE:**  
This plan uses a generic tower to illustrate the 5' Turbo Tube Slide being attached. However, this same procedure is to be used for any Swing-N-Slide 5' Tower Playset.



2-1/2" screw

**Slide Barrier Construction**

1. **Carefully** remove your Barrier Support Boards from the barrier where you would like to place your slide, making certain you will have a clear 72" Safety Zone for your slide. (Fig. 6). **Retain** this lumber and fasteners as you will need them in a later step.
2. **Cut to length** and install (2) 2" x 4" Barrier Support Boards as shown in (Fig. 6a), making certain the opening between them is 25".
3. **Cut** (1) 2" x 4" Barrier Board to the height of your barrier railing and create a slide opening of 23", as shown in (Fig. 6a).
4. **Reattach** your barrier boards, making certain they are evenly spaced and do not have a gap larger than 3" between each board, as shown in (Fig. 6a).

Fig. 6a

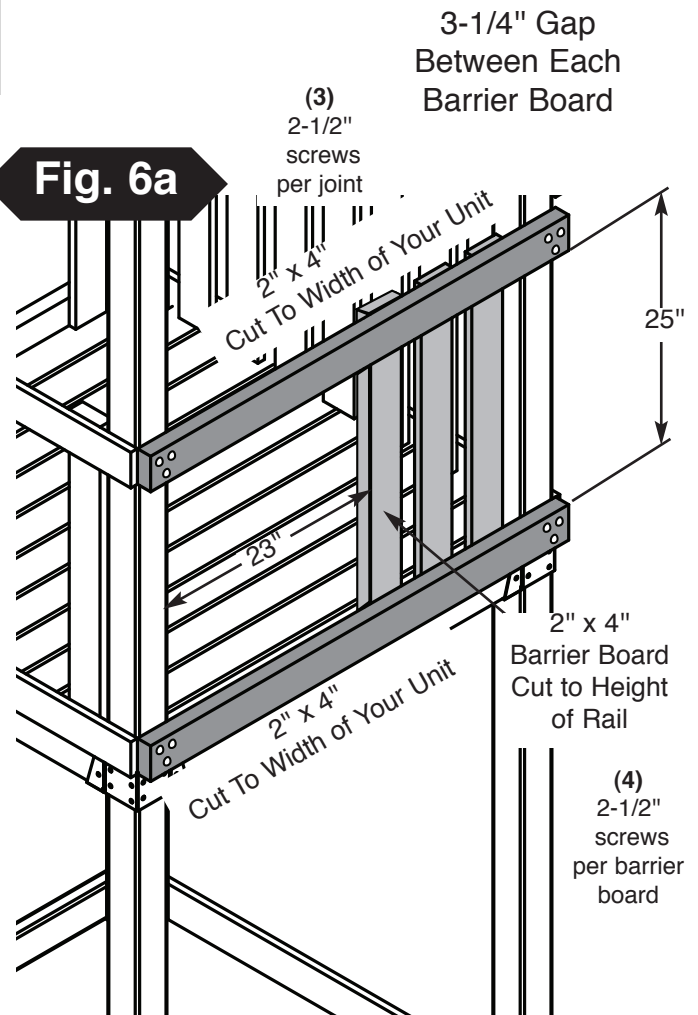
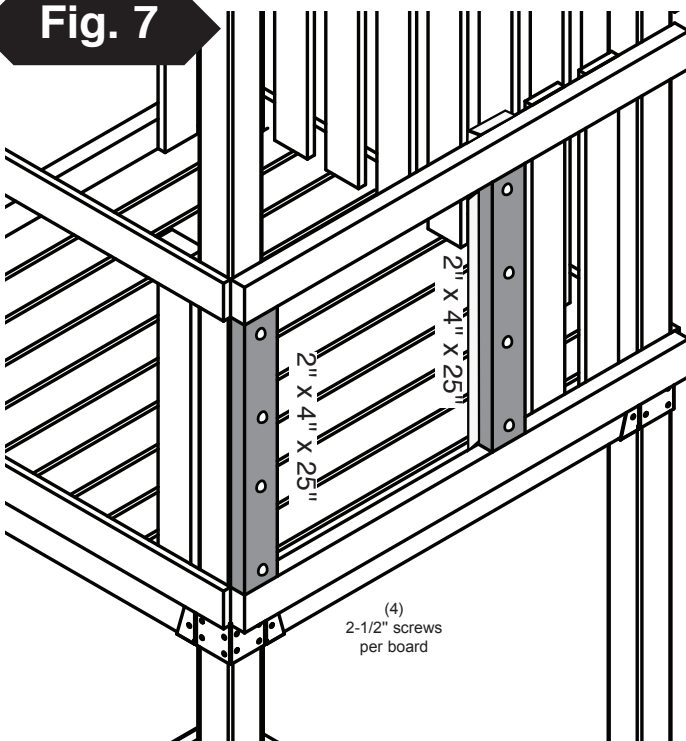




Fig. 7

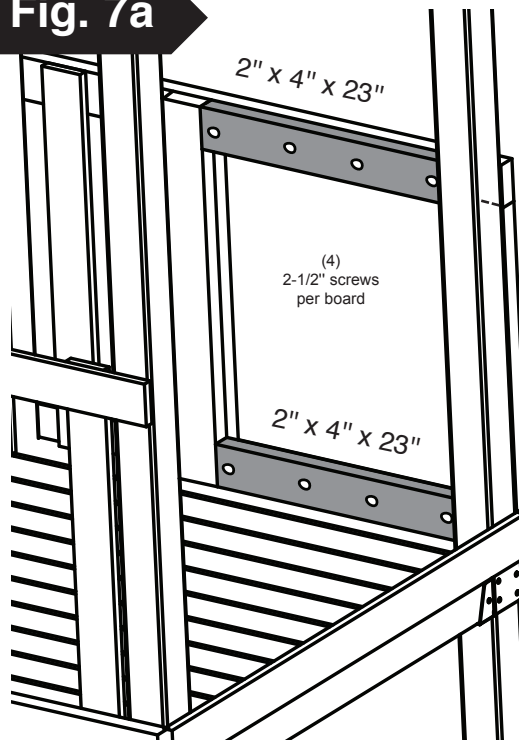


2-1/2" screw

**Slide Barrier Cont.**

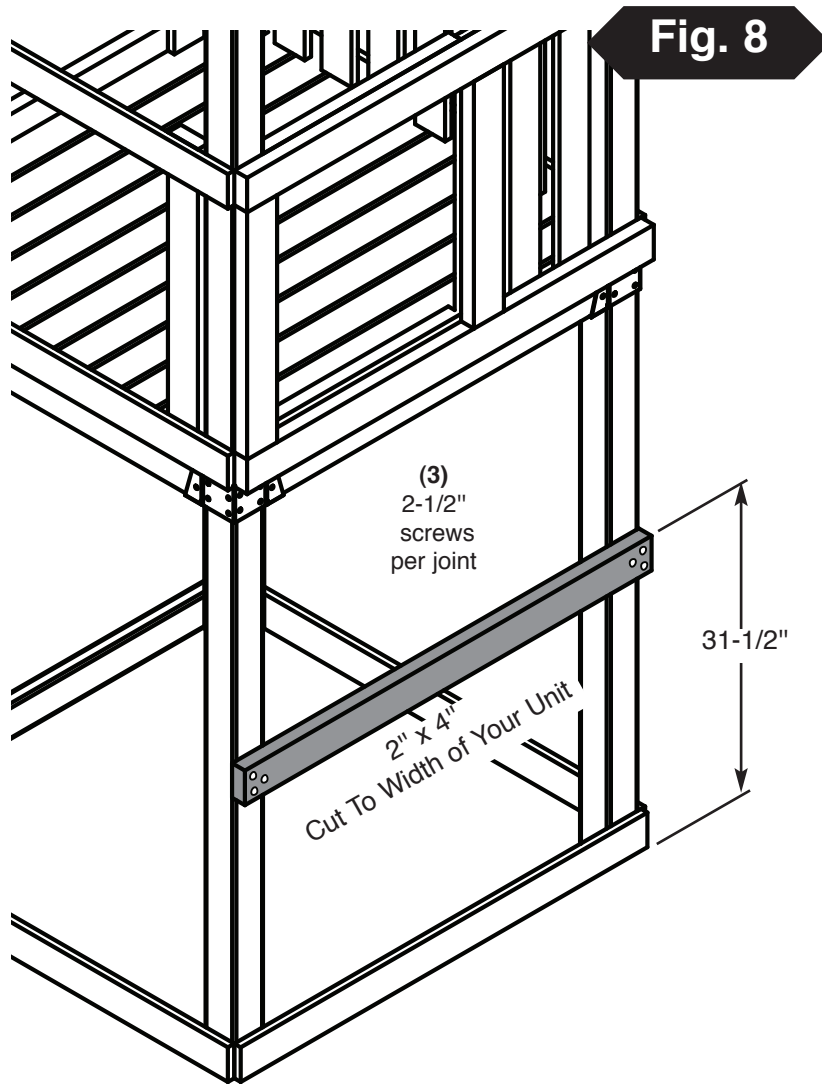
1. Install (2) 2" x 4" x 25" Boards as shown in (Fig. 7).
2. Install (2) 2" x 4" x 23" Slide Support Boards on the inside of your barrier as shown in (Fig. 7a).

Fig. 7a



**INSIDE VIEW  
UNIT WAS ROTATED 180° FOR THIS VIEW**





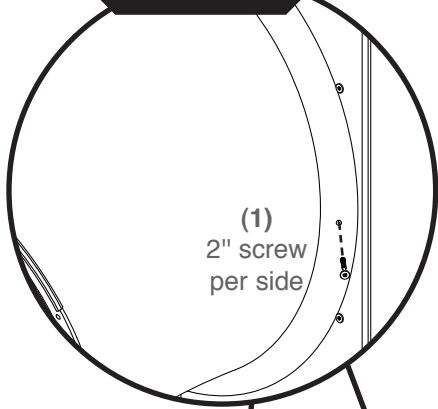
2-1/2" screw



**Slide Barrier Cont.**

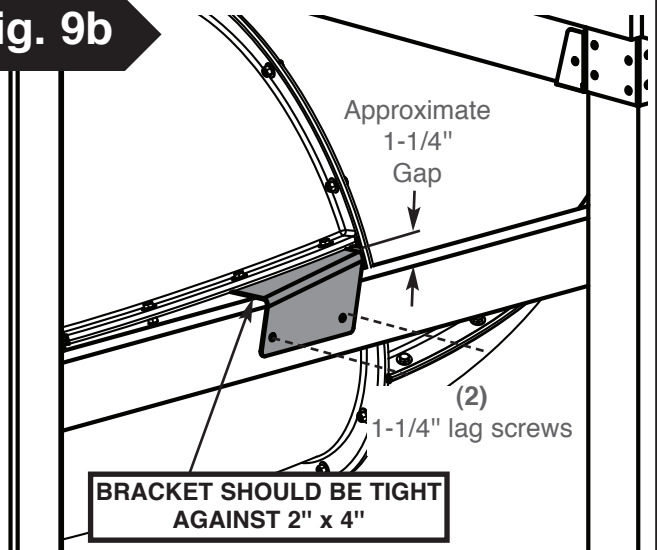
1. Install a 2" x 4" board, cut to the width of your unit, as shown in **(Fig. 8)**.

Fig. 9a



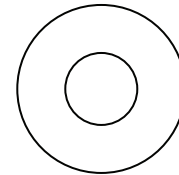
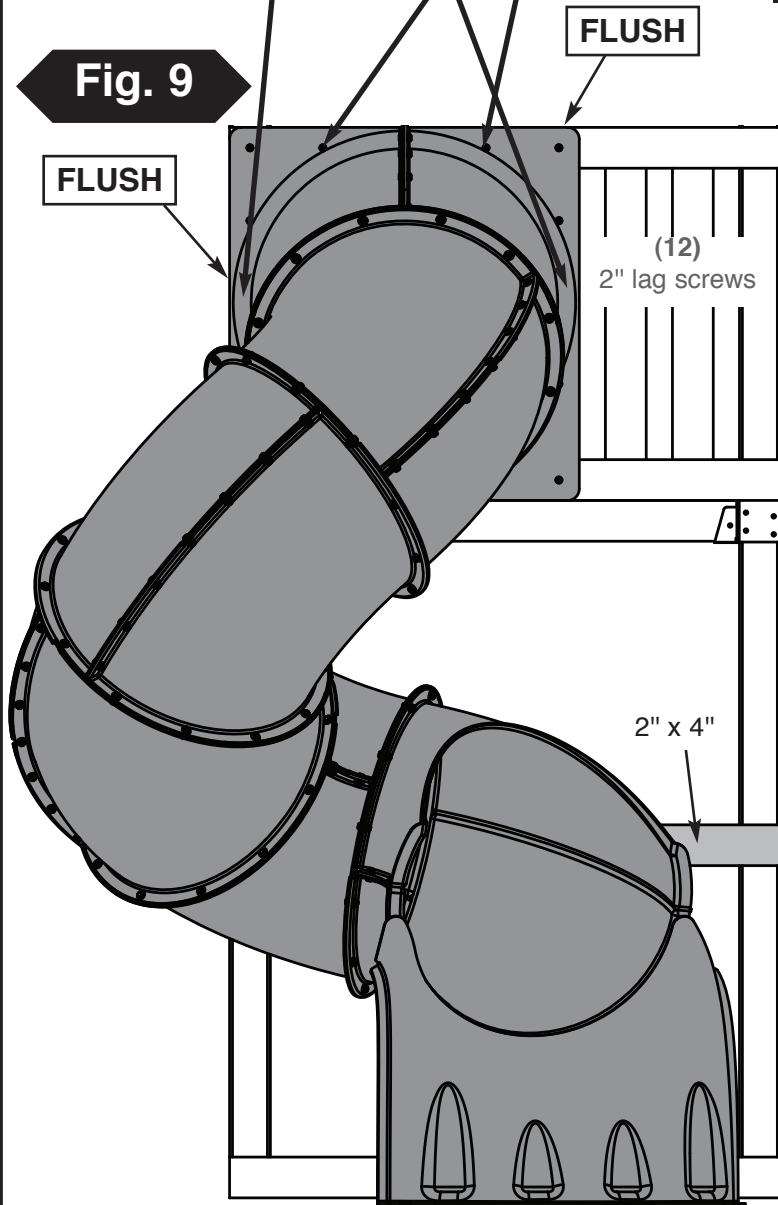
(2)  
2" lag screws  
(2)  
5/16" Flat Washers

Fig. 9b

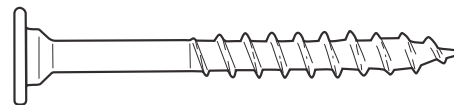


**UNDER DECK VIEW**

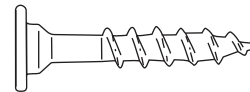
Fig. 9



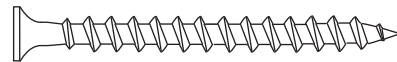
5/16" Flat Washer



2" Lag screw



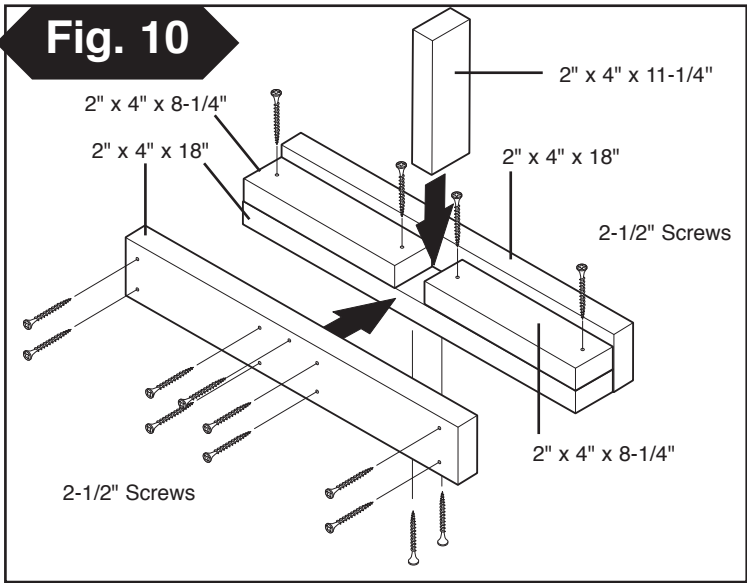
1-1/4" Lag screw



2" screw

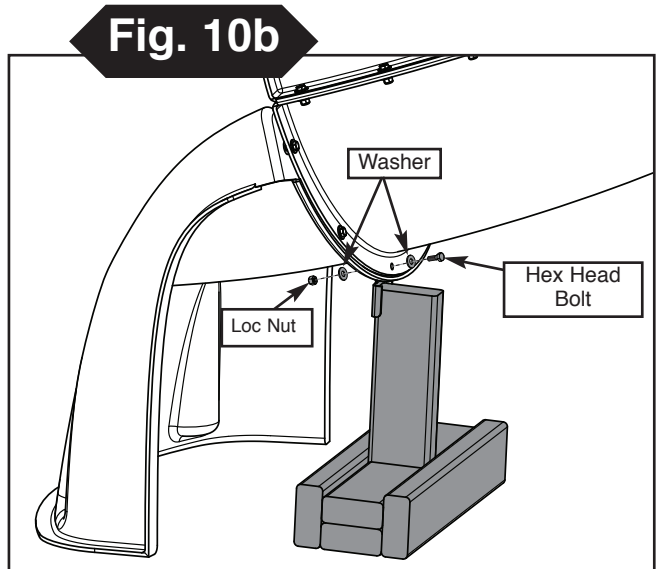
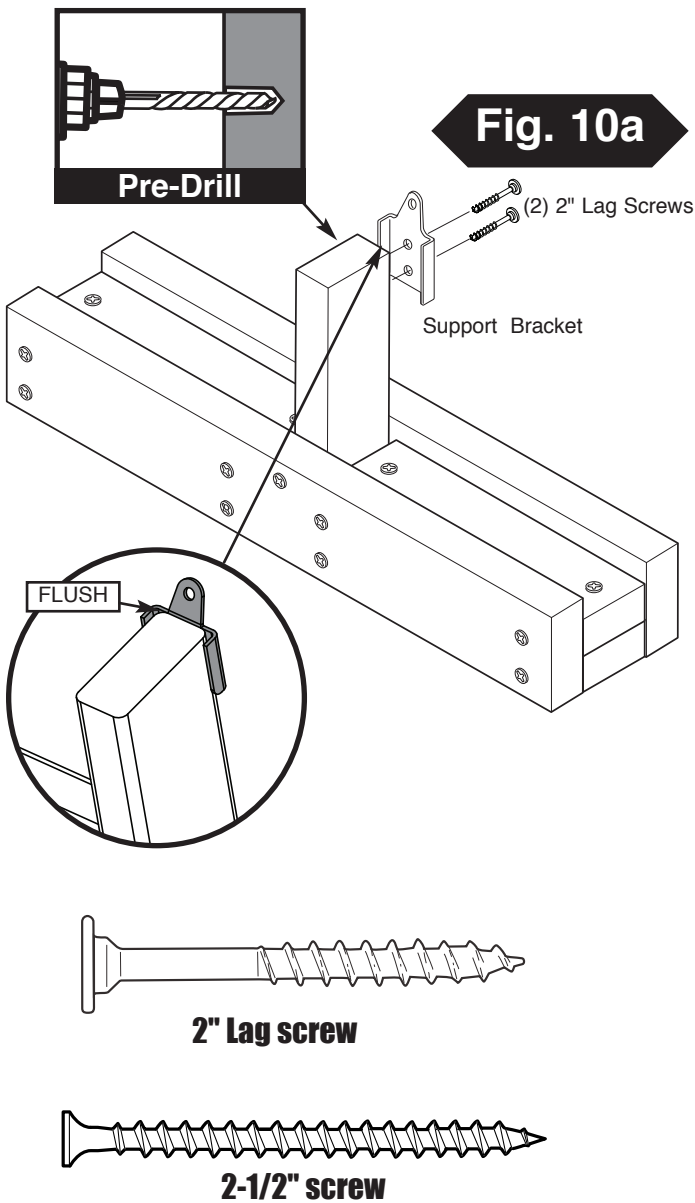
**Slide Installation**

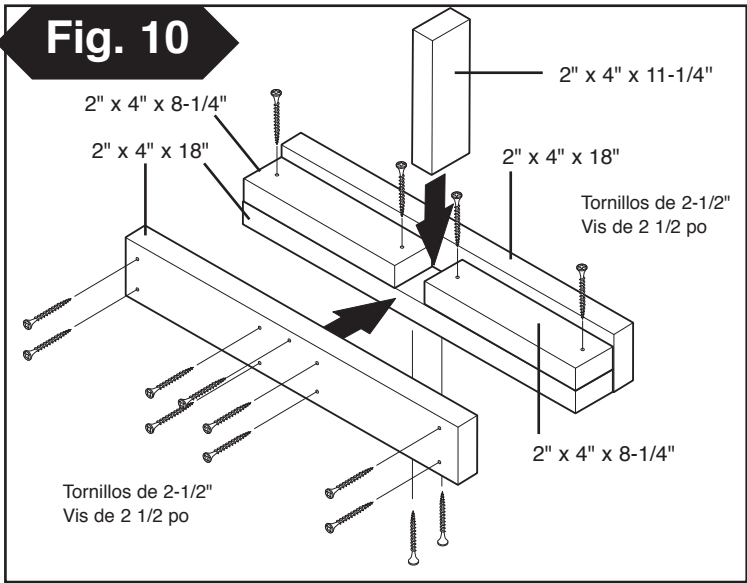
1. Lift and attach 5' Turbo to units, as shown in (Fig. 9).  
**Note:** Two people will be required to properly align the Turbo Tube Slide with your tower.
2. On either side of the Slide Entrance there is a dimple. Insert (1) 2" Screw in either side, so that the screw goes into the support board behind, as shown in (Fig. 9a).
3. Secure Elbow Bracket to 2" x 4" as shown in (Fig. 9b).  
**Note:** The lower edge of the Elbow Bracket must sit tightly against the top of the 2" x 4" support board.



**SUPPORT AND BRACKET ASSEMBLY**

1. Assemble the support base as shown in **(Fig. 10)**.
2. Attach the support bracket to the support base using two lag bolts **(Fig. 10a)**.  
**NOTE:** Pre-drill 1/8" pilot holes.
3. Place the support beneath the Exit and determine its final position. **NOTE:** Slide support should fit tightly beneath the slide to assure proper support. Remove corresponding nut and bolt, attach support to the slide as indicated in **(Fig. 10b)**. Re-attach hardware.
4. Level grade at the bottom of the slide.



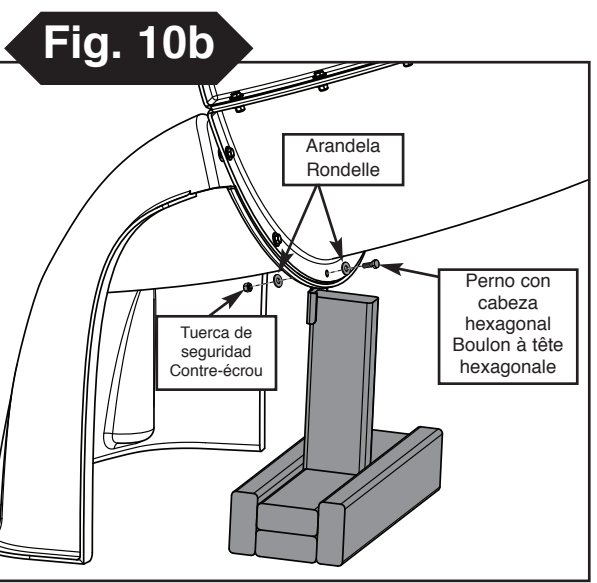
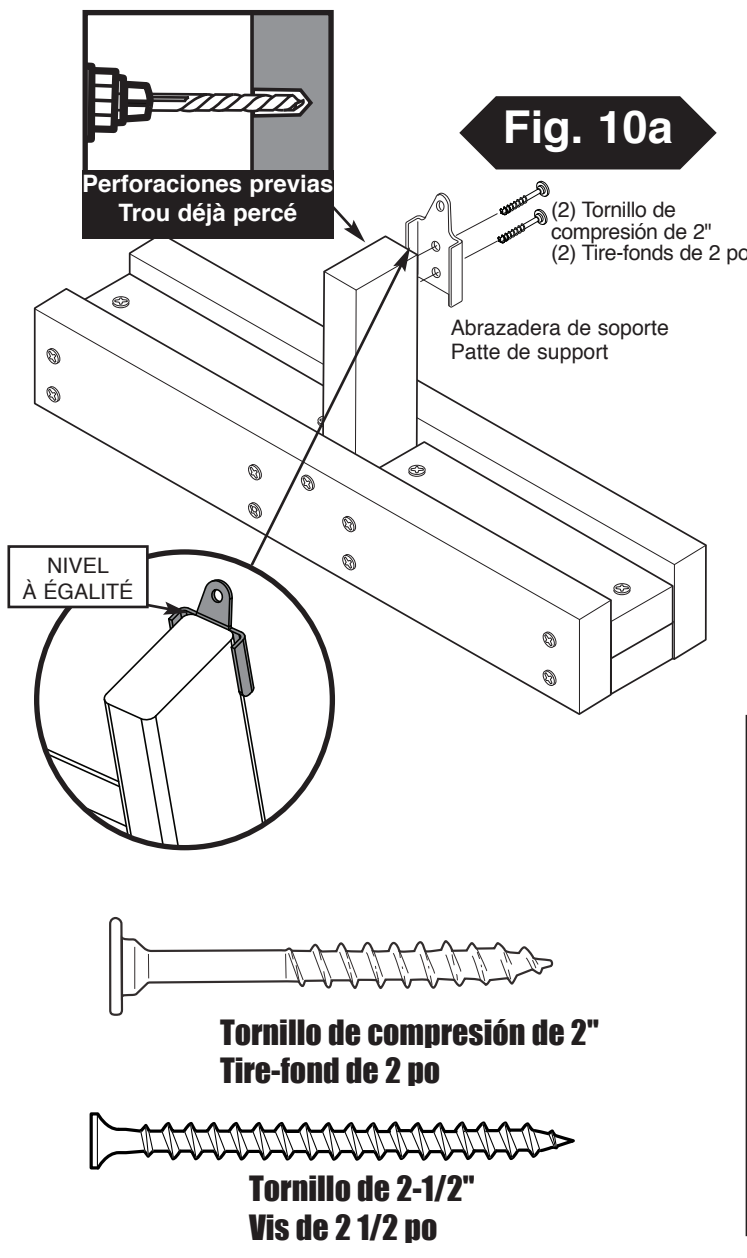


**ENSAMBLAJE DEL APOYO Y DE LA ABRAZADERA**

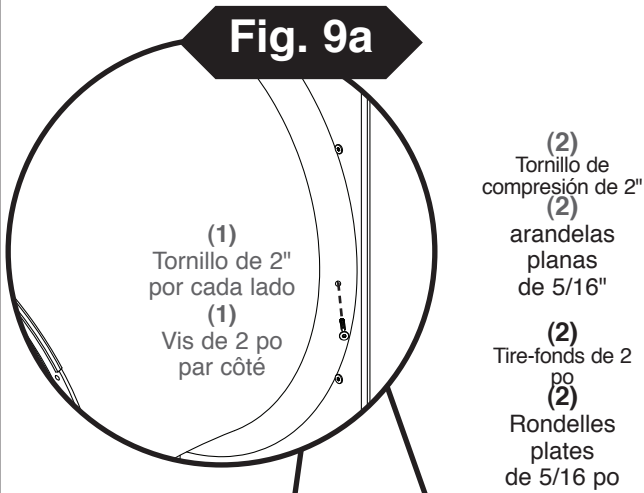
1. Ensamble la base del soporte como se muestra en la (Fig. 10).
2. Una la abrazadera de soporte a la base del soporte usando dos pernos con cabeza cuadrada (Fig. 10a)  
**NOTA:** Perfore previamente los agujeros pilotos de 1/8".
3. Colocar el soporte por debajo de la salida y determinar su ubicación final. **NOTA:** El soporte del tobogán debe encajar firmemente por debajo del tobogán para asegurar un apoyo adecuado. Retire la tuerca y el perno correspondientes y una el soporte al tobogán como se indica en la (Fig. 10b). Vuelva a colocar los herrajes.
4. Gradúe la pendiente en la parte inferior del tobogán.

**ASEMBLAGE DU SUPPORT ET DE LA FIXATION**

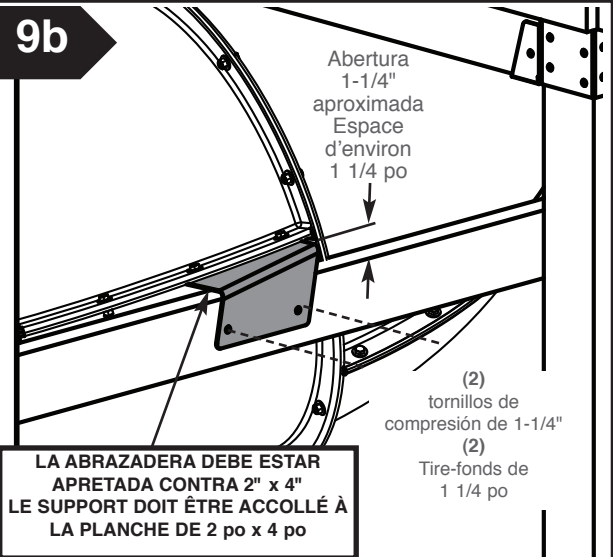
1. Assemblez la base de support comme indiqué sur la (Fig. 10).
2. Attachez la fixation de support à la base de support à l'aide de deux tire-fonds (Fig. 10a).  
**REMARQUE :** Percez d'abord des trous préliminaires de guidage de 1/8 po.
3. Placez le support en dessous de la sortie de glissoire et déterminez sa position finale. **REMARQUE :** Le support doit s'ajuster parfaitement sous la glissoire pour offrir un support adéquat. Retirez le boulon et l'écrou correspondants et fixez le support à la glissoire comme indiqué sur la (Fig. 10b). Posez de nouveau la quincaillerie.
4. Égalisez le sol à la sortie de la glissoire.



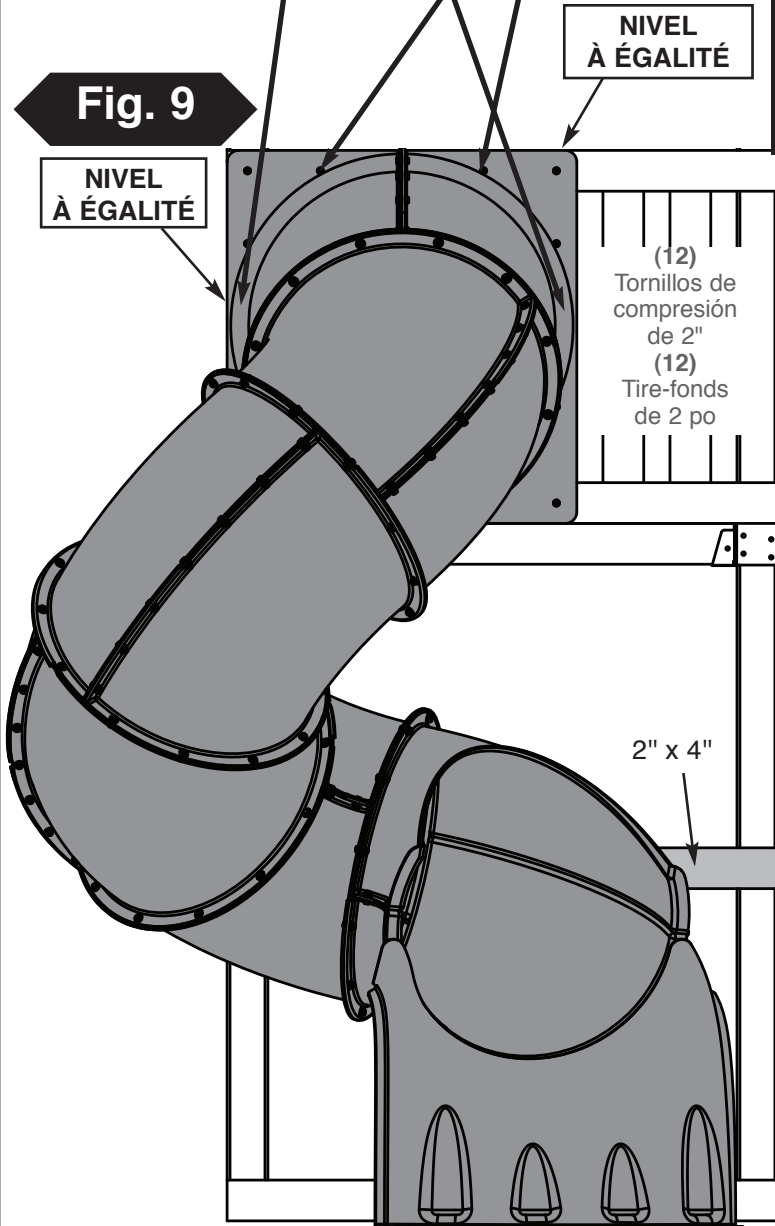
**Fig. 9a**



**Fig. 9b**



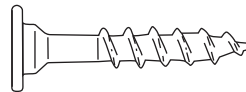
**Fig. 9**



**VISTA POR DEBAJO DE LA PLATAFORMA VUE DU DESSOUS DE LA TERRASSE**



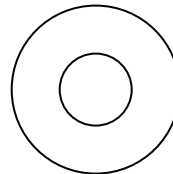
**Tornillo de compresión de 2"**  
**Tire-fond de 2 po**



**Tornillo de compresión de 1-1/4"**  
**Tire-fond de 1 1/4 po**



**Tornillo de 2"/Vis de 2 po**



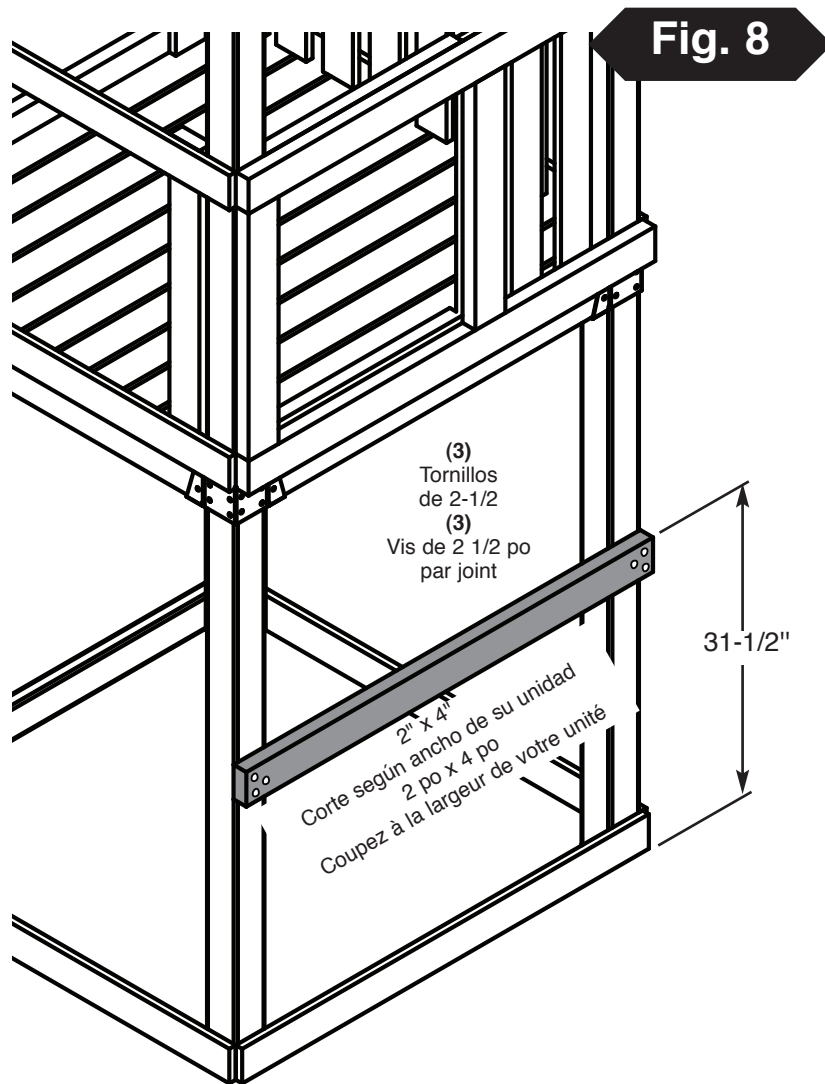
**arandelas planas de 5/16"**  
**Rondelles plates de 5/16 po**

**Instalación del tobogán**

1. Levante el Turbo de 5' y únalo a las unidades, como se muestra en la (Fig. 9).  
**Nota:** Se necesitan dos personas para alinear el tobogán Turbo Tube con la torre de forma apropiada.
2. Hay un hoyito en cada lado de la entrada del tobogán. Inserte (1) tornillo de 2" en cualquiera de los dos lados, para que el tornillo llegue a la tabla de soporte de atrás, como se muestra en la (Fig. 9a).
3. Asegure la abrazadera del codo a 2" x 4", como se muestra en la (Fig. 9b).  
**Nota:** El borde inferior de la abrazadera del codo debe apoyarse firmemente contra la parte superior de la tabla de soporte de 2" x 4".

**Installation de la glissade**

1. Soulevez et fixez la glissière Turbo Tube de 5 pi à l'unité, tel qu'illustré sur la (Fig. 9).  
**Remarque :** Il faut deux personnes pour aligner correctement la glissière Turbo Tube à votre tour.
2. Il y a une fossette de chaque côté de l'entrée de la glissière. Insérez (1) vis de 2 po de chaque côté, de sorte que la vis s'insère dans la planche de support en arrière, tel qu'illustré sur la (Fig. 9a).
3. Fixez le support de coude de 2 po x 4 po tel qu'illustré sur la (Fig. 9b).  
**Remarque :** Le bord inférieur du support de coude doit s'appuyer solidement contre le haut de la planche de support de 2 po x 4 po.



**Tornillo de 2-1/2"**  
**Vis de 2 1/2 po**



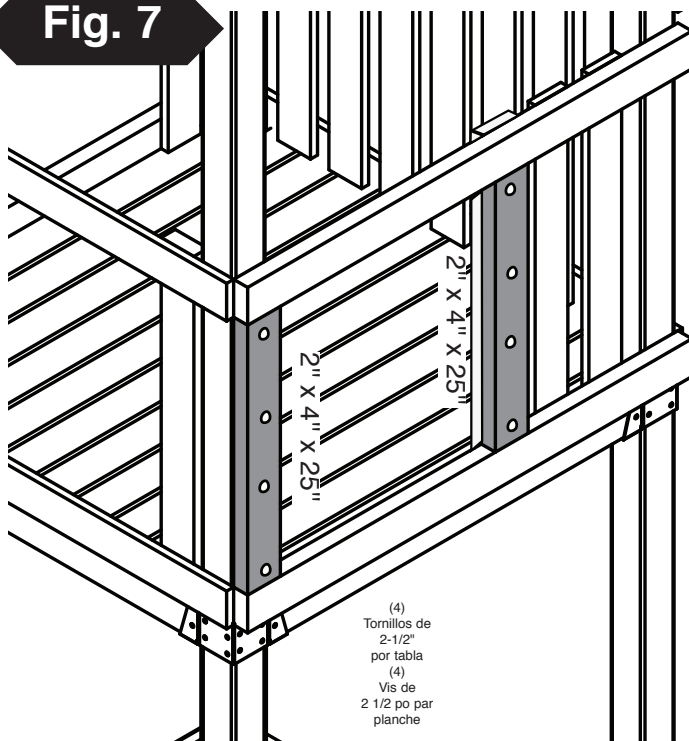
**Barrera del tobogán (cont.)**

1. Instale una tabla de 2" x 4", corte al ancho de su unidad, como se muestra en la **(Fig. 8)**.

**Construction de la barrière de la glissoire, suite**

1. Installez une planche 2 po x 4 po, coupez à la largeur de votre unité, tel qu'illustré sur la **(Fig. 8)**.

**Fig. 7**



(4)  
Tornillos de  
2-1/2"  
por tabla  
(4)  
Vis de  
2 1/2 po  
par  
planche



**tornillo de 2-1/2" / Vis de 2 1/2 po**

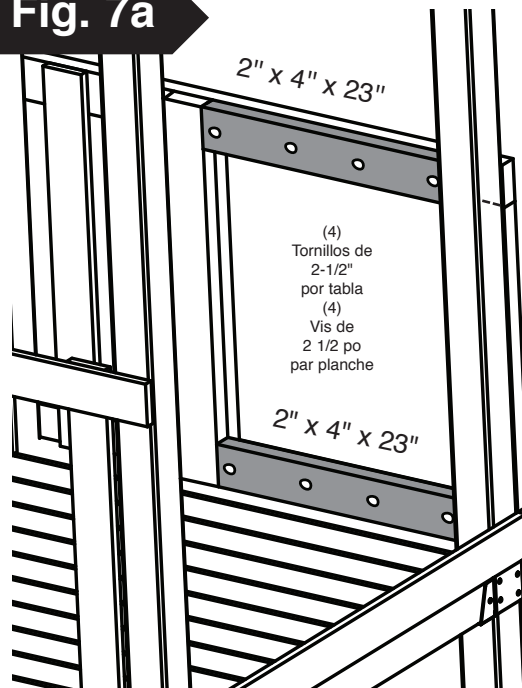
**Barrera del tobogán (cont.)**

1. Instale las (2) tablas de 2" x 4" x 25" como se muestra en la **(Fig. 7)**.
2. Instale las (2) tablas de soporte del tobogán de 2" x 4" x 23" en el interior de la barrera como se muestra en la **(Fig. 7a)**.

**Construction de la barrière de la glissoire, suite**

1. Installez (2) planches de 2 po x 4 po x 25 po tel qu'illustré sur la **(Fig. 7)**.
2. Installez (2) planches de support de glissoire de 2 po x 4 po x 23 po à l'intérieur de votre barrière, tel qu'illustré sur la **(Fig. 7a)**.

**Fig. 7a**

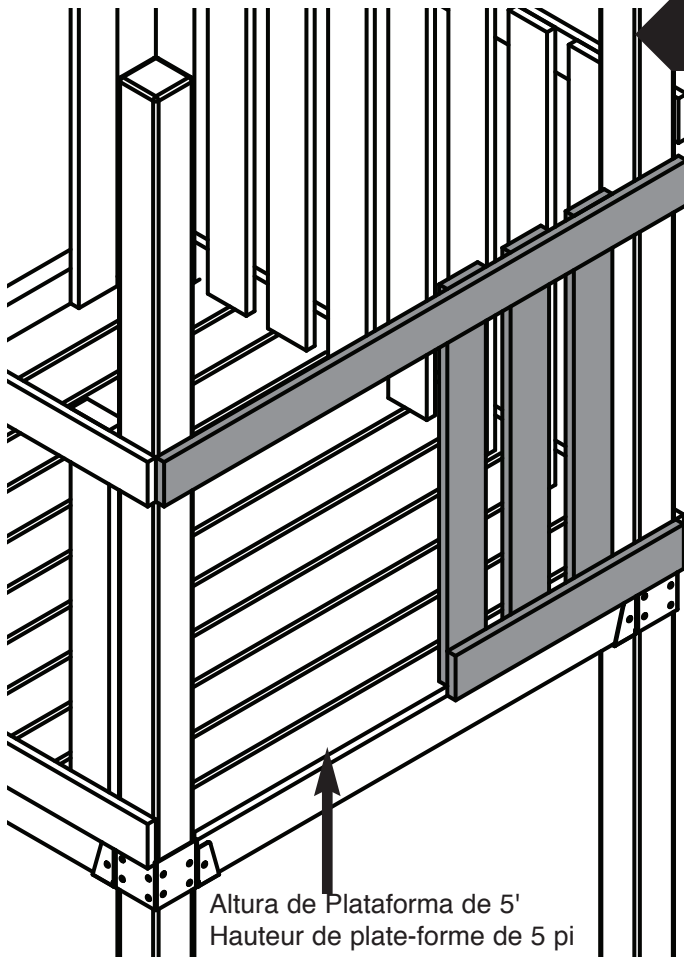


(4)  
Tornillos de  
2-1/2"  
por tabla  
(4)  
Vis de  
2 1/2 po  
par  
planche

**VISTA INTERNA  
SE HIZO GIRAR LA UNIDAD 180 PARA  
OBTENER ESTA VISTA  
VUE DE L'INTÉRIEUR  
CETTE ILLUSTRATION PRÉSENTE  
L'ENSEMBLE PIVOTÉ DE 180°**



Fig. 6



Altura de Plataforma de 5'  
Hauteur de plate-forme de 5 pi



tornillo de 2-1/2" / Vis de 2 1/2 po

**Construcción de la barrera del tobogán**

1. **Retire con cuidado** las tablas de soporte de la barrera donde desea colocar el tobogán, asegurándose de tener una zona de seguridad despejada de 72" para el tobogán. (Fig. 6). **Guarde** la madera y los sujetadores porque los necesitará en los pasos siguientes.
2. **Cortar a medida** e instalar (2) tablas de soporte de la barrera de 2" x 4" como se muestra en la (Fig. 6a), asegurándose de que la abertura que quede entre ellas sea de 25".
3. **Corte** (1) tabla de barrera de 2" x 4" a la altura de los rieles de su barrera y cree una apertura de tobogán de 23", como se muestra en la (Fig. 6a).
4. **Vuelva a unir** las tablas de barrera asegurándose de que el espacio que quede entre ellas sea parejo, y que no quede un agujero que supere las 3" entre cada tabla, como se muestra en la (Fig. 6a).

**Construction de la barrière de la glissoire**

1. Retirez **délicatement** vos planches de support de la barrière là où vous souhaitez installer votre glissoire, en vous assurant de conserver un espace de sécurité dégagé de 72 po pour la glissoire (Fig. 6). **Conservez** ces planches et attaches puisque vous en aurez besoin ultérieurement.
2. **Coupez à la longueur** et installez les (2) supports des planches de barrière de 2 po x 4 po tel qu'illustré sur la (Fig. 6a) en vous assurant que l'espace entre les planches soit de 25 po.
3. **Coupez** (1) planche de barrière de 2 po x 4 po à la hauteur de votre rampe de barrière et créez une ouverture de 23 po pour la glissoire, tel qu'illustré sur la (Fig. 6a).
4. **Fixez à nouveau** vos planches de barrière, en vous assurant qu'elles sont également espacées et ne présentent pas d'espace supérieur à 3 po entre chaque planche, tel qu'illustré sur la (Fig. 6a).

**NOTA:**

Este plano utiliza una torre genérica para ilustrar el tobogán Turbo Tube de 5' que está tratando de unir. De todos modos, este mismo procedimiento puede seguirse para cualquier equipo de juego con torre de 5' de Swing-N-Slide.

**REMARQUE :**

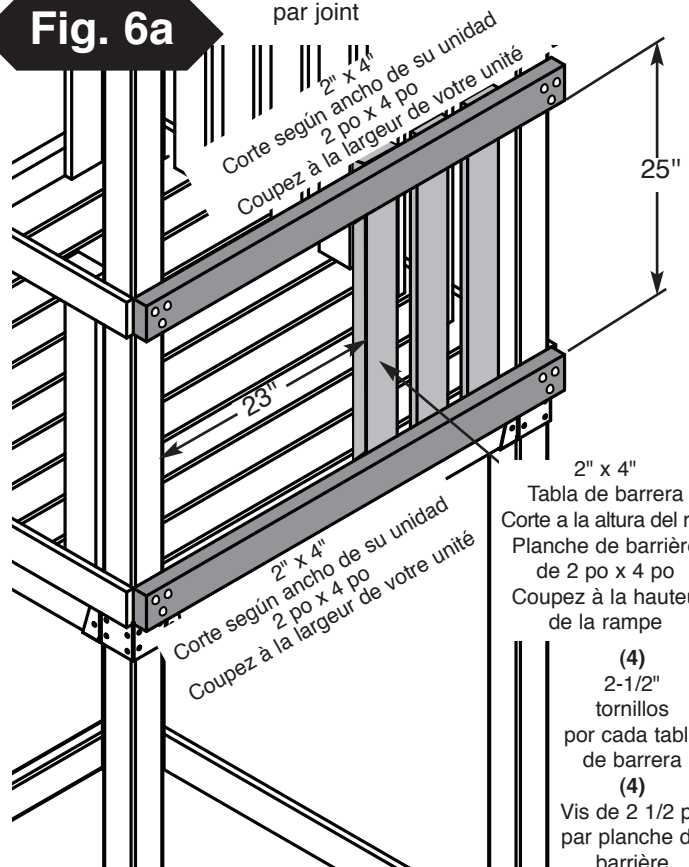
Ce plan utilise une tour standard pour illustrer la fixation de la glissoire Turbo Tube de 5 pi. Toutefois, la même procédure doit être employée pour tout ensemble de jeu Swing-N-Slide à tour de 5 pi.

Abertura de 3-1/4" entre cada tabla de la barrera  
Espace de 3 1/4 po entre chaque planche de barrière

(3) 2-1/2" tornillos por junta  
(3)

Vis de 2 1/2 po par joint

Fig. 6a



2" x 4"  
Corte según ancho de su unidad  
2 po x 4 po  
Coupez à la largeur de votre unité

2" x 4"  
Corte según ancho de su unidad  
2 po x 4 po  
Coupez à la largeur de votre unité

2" x 4"  
Tabla de barrera  
Corte a la altura del riel  
Planche de barrière  
de 2 po x 4 po  
Coupez à la hauteur de la rampe

(4) 2-1/2" tornillos por cada tabla de barrera  
(4) Vis de 2 1/2 po par planche de barrière



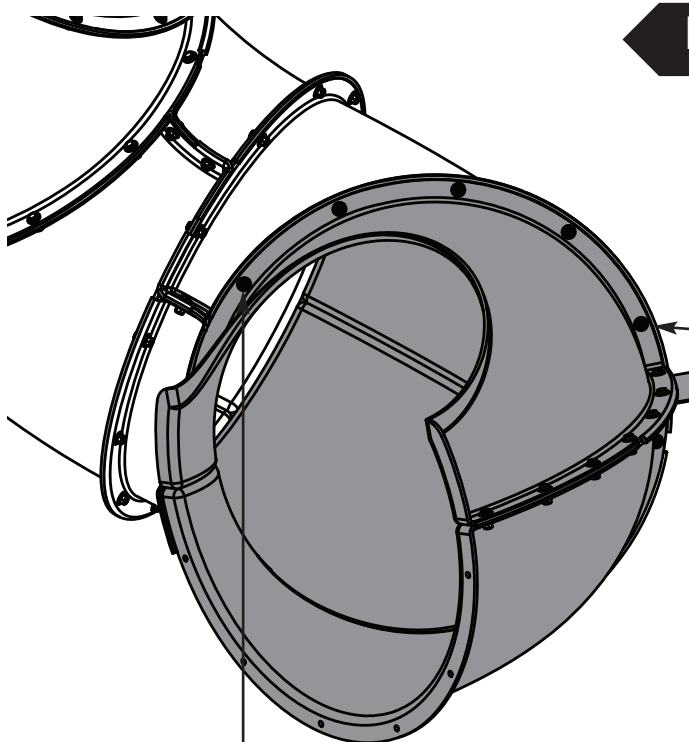


Fig. 5

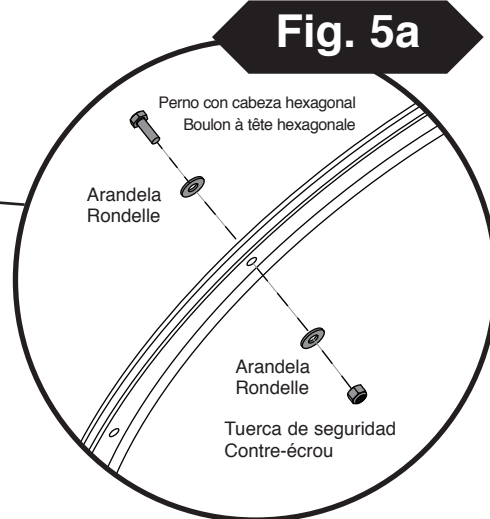
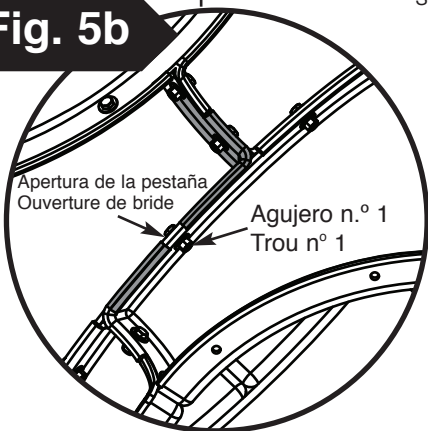


Fig. 5a

Secciones de codo de salida - 12 pernos  
Section de sortie - 12 boulons

Fig. 5b



#### Salida del tobogán

1. Alinee la sección de salida del codo para que el agujero n.º 1 quede alineado con la abertura de la pestaña, como se muestra en la (Fig. 5) y la (Fig. 5b) y ubíquelo en su lugar.
2. Fije la salida con la sección de salida del codo para que la parte superior de la salida coincida con las uniones, como se muestra en la (Fig. 5c) y ubíquela en su lugar.
3. Ajuste todos los herrajes.

**NOTA:** El diseño entrelazado de las pestañas en las piezas del codo lo ayudará en el ensamblaje.

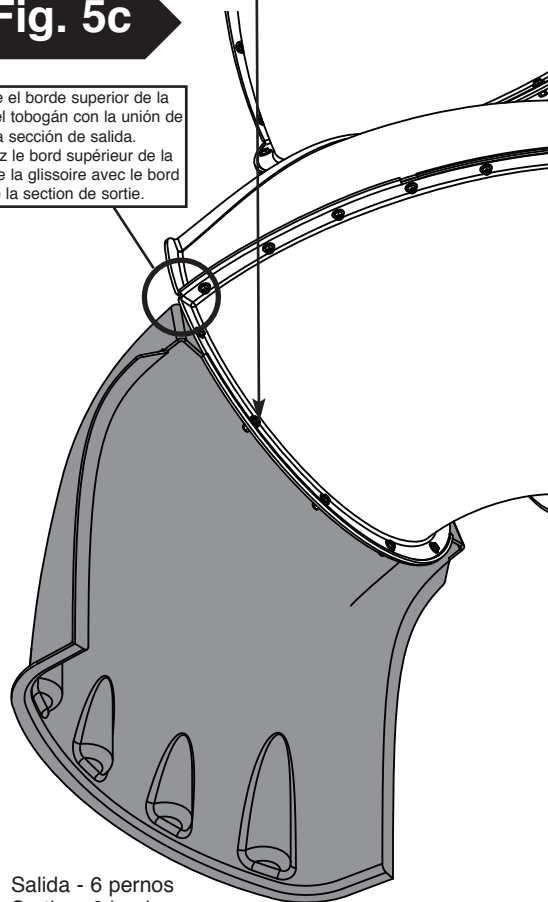
#### Sortie de la glissoire

1. Alineez la section de coude de sortie de sorte que le trou n.º 1 s'aligne avec l'ouverture de la bride, tel qu'illustré sur les (Fig. 5) et (Fig. 5b) et fixez-la.
2. Fixez la sortie à la section du coude de sortie de sorte que le haut de la sortie soit aligné avec les bords, tel qu'illustré sur la (Fig. 5c) et fixez-la.
3. Serrez toute la quincaillerie.

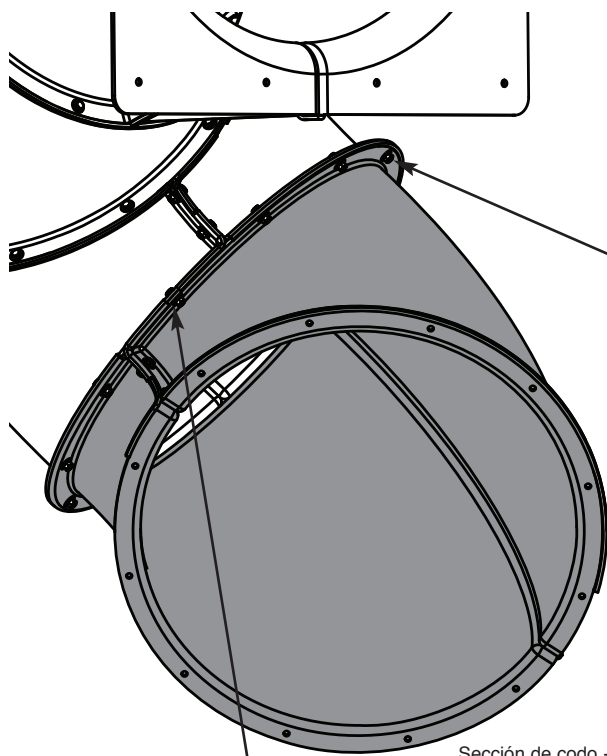
**REMARQUE :** Le concept d'interverrouillage des brides sur les parties du coude vous aidera lors de l'assemblage.

Fig. 5c

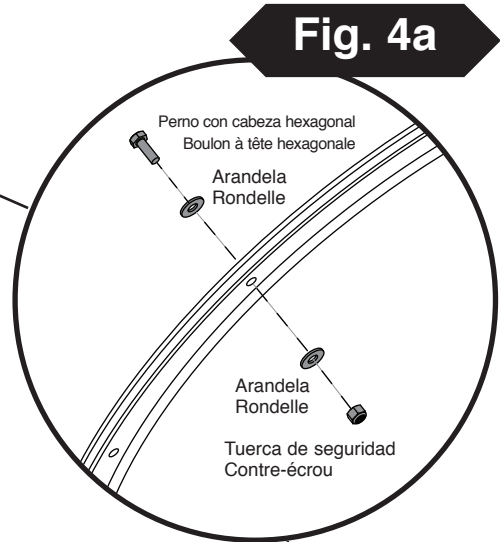
Alinee el borde superior de la base del tobogán con la unión de la sección de salida.  
Alignez le bord supérieur de la base de la glissoire avec le bord de la section de sortie.



Salida - 6 pernos  
Sortie - 6 boulons

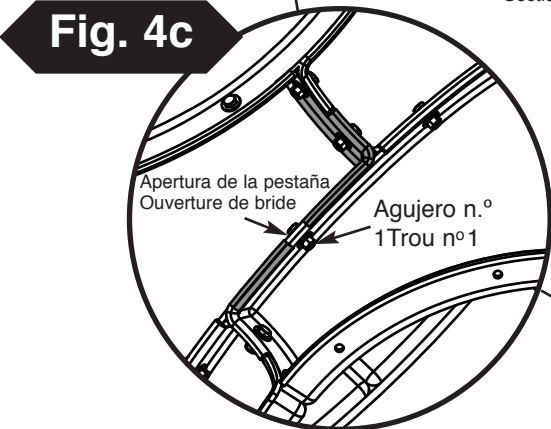


**Fig. 4**

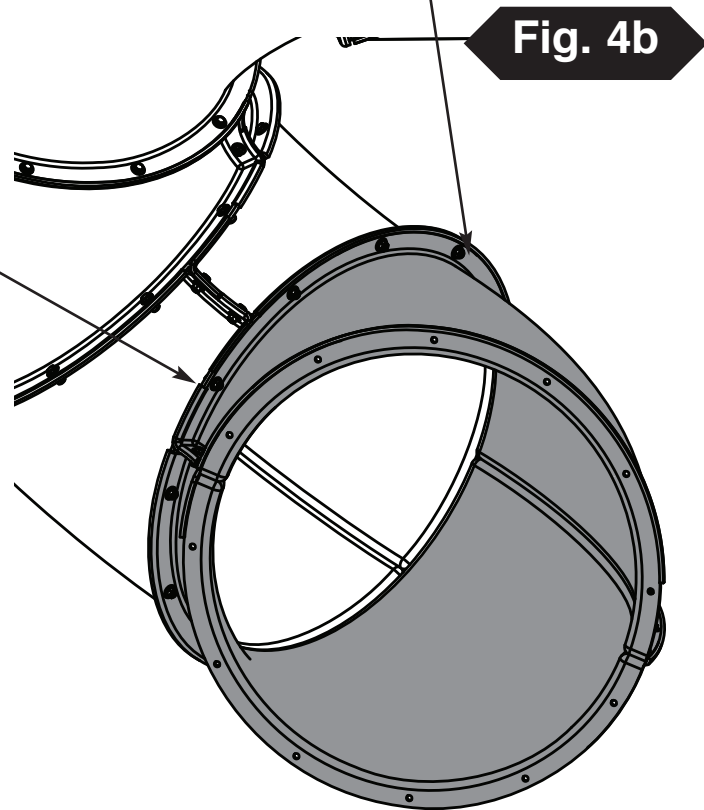


**Fig. 4a**

Sección de codo - 12 pernos  
Section en coude - 12 boulons



**Fig. 4c**



**Fig. 4b**

Sección de codo - 12 pernos  
Section en coude - 12 boulons

**Codos del tobogán**

1. Alinee el tercer codo para que el agujero n.º 1 quede alineado con la apertura de la pestaña, como lo muestra la (Fig. 4) y la (Fig. 4c) y ubíquelo en su lugar.
2. Alinee el cuarto codo para que el agujero n.º 1 quede alineado con la apertura de la pestaña, como lo muestra la (Fig. 4b) y la (Fig. 4c) y ubíquelo en su lugar.

**NOTA:** El diseño entrelazado de las pestañas en las piezas del codo lo ayudará en el ensamblaje.  
**NOTA:** Solo las tuercas de seguridad se deben apretar con los dedos.

**Coudes de la glissoire**

1. Alignez le troisième coude de sorte que le trou n° 1 s'aligne avec l'ouverture de la bride illustrée sur les (Fig. 4) et (Fig. 4c) et fixez-le.
2. Alignez le quatrième coude de sorte que le trou n° 1 s'aligne avec l'ouverture de la bride illustrée sur les (Fig. 4b) et (Fig. 4c) et fixez-le.

**REMARQUE :** Le concept d'interverrouillage des brides sur les parties du coude vous aidera lors de l'assemblage.  
**REMARQUE :** Serrez à la main les contre-écrous seulement.

Fig. 3

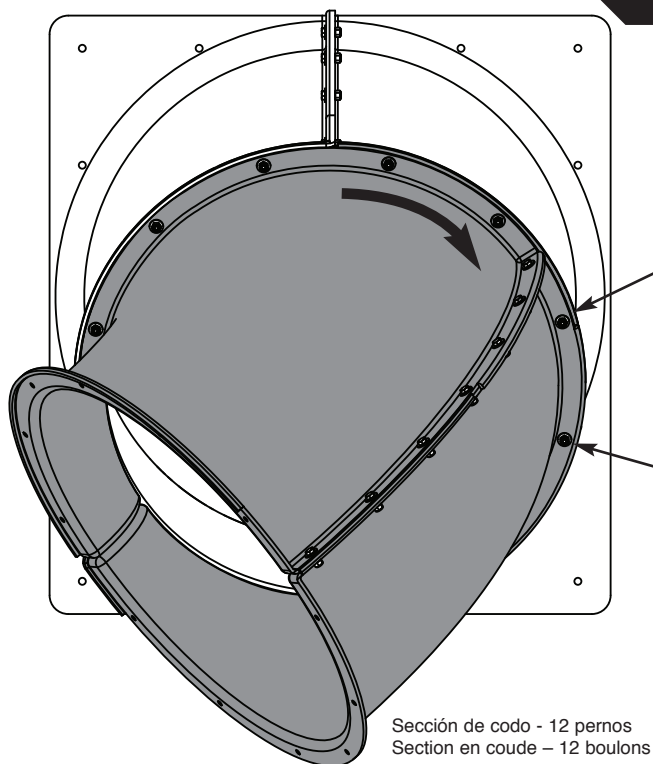


Fig. 3a

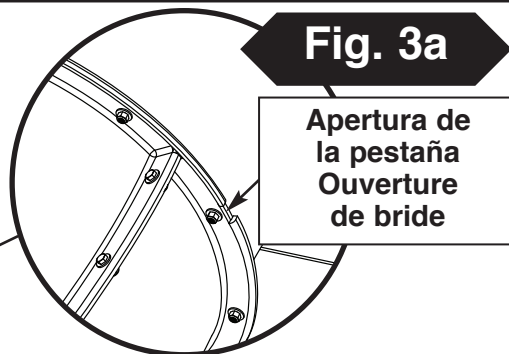


Fig. 3b

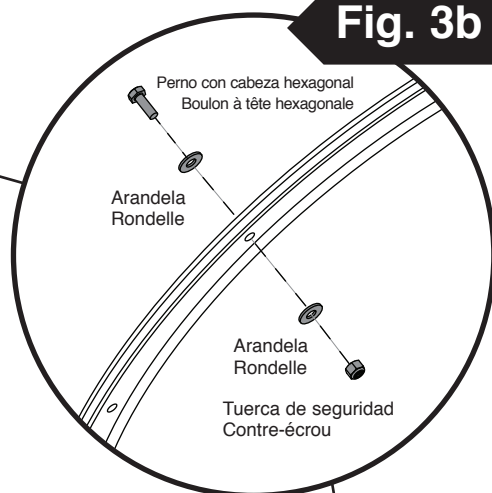


Fig. 3c

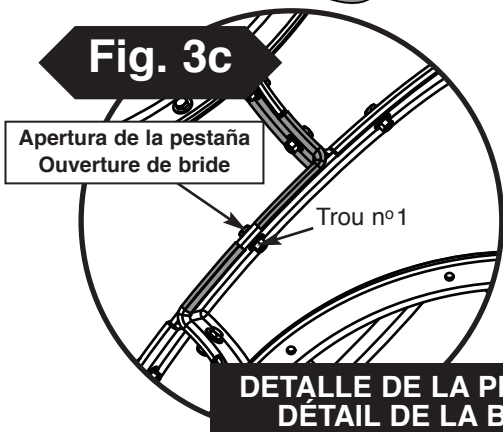
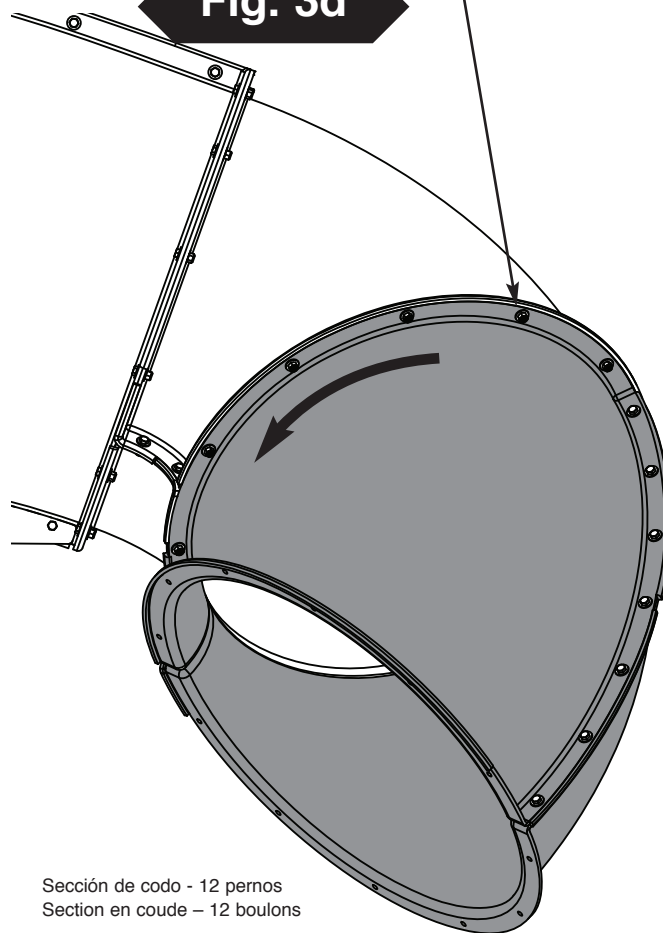


Fig. 3d



**Codos del tobogán**

1. Alinee el primer codo con la sección de entrada con las uniones alineadas y la salida hacia abajo. Rote los (2) agujeros del codo hacia la derecha como se muestra en la (Fig. 3) y ubíquelos en su lugar. Busque la apertura de la pestaña como lo muestra la (Fig. 3a).

2. Alinee el segundo codo para que el agujero n.º 1 quede alineado con la apertura de la pestaña, como lo muestra la (Fig. 3c) y la (Fig. 3d) y ubíquelo en su lugar.

**NOTA:** El diseño entrelazado de las pestañas en las piezas del codo lo ayudará en el ensamblaje.

**NOTA:** Solo las tuercas de seguridad se deben apretar con los dedos.

**Coudes de la glissoire**

1. Alignez la première section de coude avec la section d'entrée, avec les bords alignés et la section de sortie vers le bas. Faites tourner les (2) orifices du coude vers la droite tel qu'illustré sur la (Fig. 3) et fixez-les. Recherchez l'ouverture de la bride illustrée sur la (Fig. 3a).

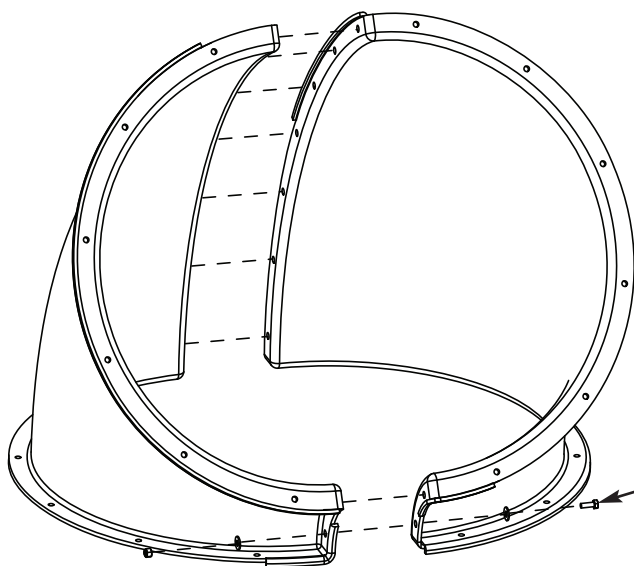
2. Alignez le second coude de sorte que le trou n.º 1 s'aligne avec l'ouverture de la bride illustrée sur les (Fig. 3c) et (Fig. 3d) et fixez-le.

**REMARQUE :** Le concept d'interverrouillage des brides sur les parties du coude vous aidera lors de l'assemblage.

**REMARQUE :** Serrez à la main les contre-écrous seulement.

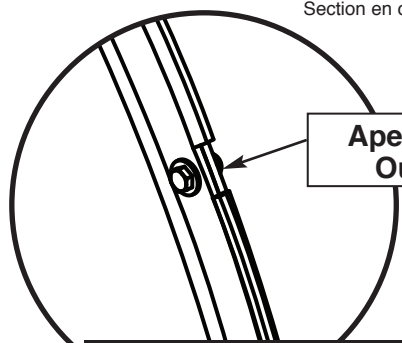
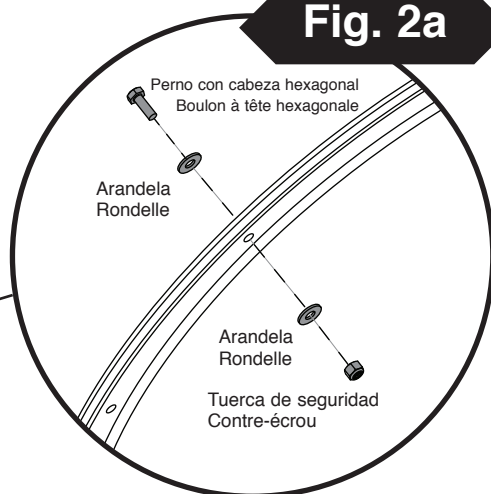
Fig. 2

x4



Secciones de 9 codos cada una  
Section en coude - 9 boulons chacune

Fig. 2a

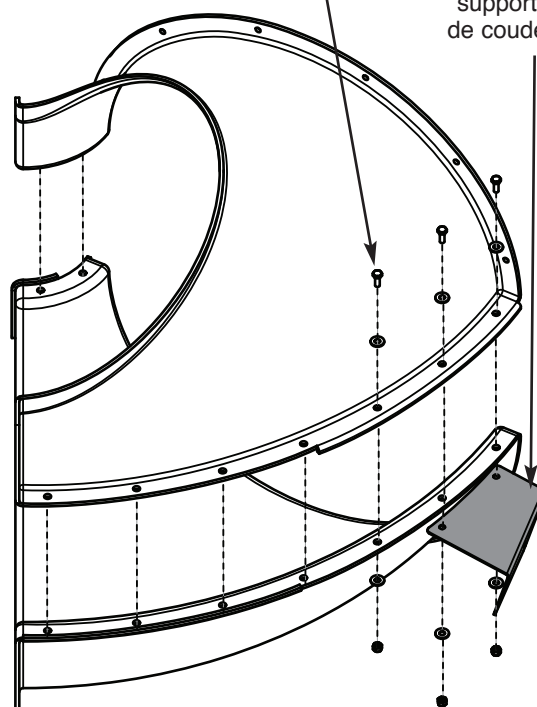


Apertura de la pestaña  
Ouverture de bride

DETALLE DE LA PESTAÑA  
DÉTAIL DE LA BRIDE

Fig. 2b

Coderas  
Abrazadera  
Fixation de  
support  
de coude



Sección de salida - 9 pernos  
Section de sortie - 9 boulons

**ENSAMBLAJE DE LAS SECCIONES DE SALIDA Y DEL CODO**

1. Ensamble la sección de los codos asegurándolos como se muestra en la (Fig. 2) y la (Fig. 2a). Una las secciones con un perno de cabeza hexagonal, dos arandelas planas y una tuerca de seguridad en cada unión de agujeros.  
**NOTA:** Apriete fuerte cada tuerca de seguridad con los dedos. Cada vez que junte las partes, asegúrese de que cada borde de pestaña coincida con un borde plano. Repita el paso 1 para ensamblar las (3) secciones de codos restantes.
2. Ensamble y asegure la sección de salida como se muestra en la (Fig. 2a) y la (Fig. 2b). Asegúrese de fijar la abrazadera de soporte del codo a la parte inferior de la pestaña, como se muestra en la (Fig. 2b).
3. Ajuste todos los herrajes.

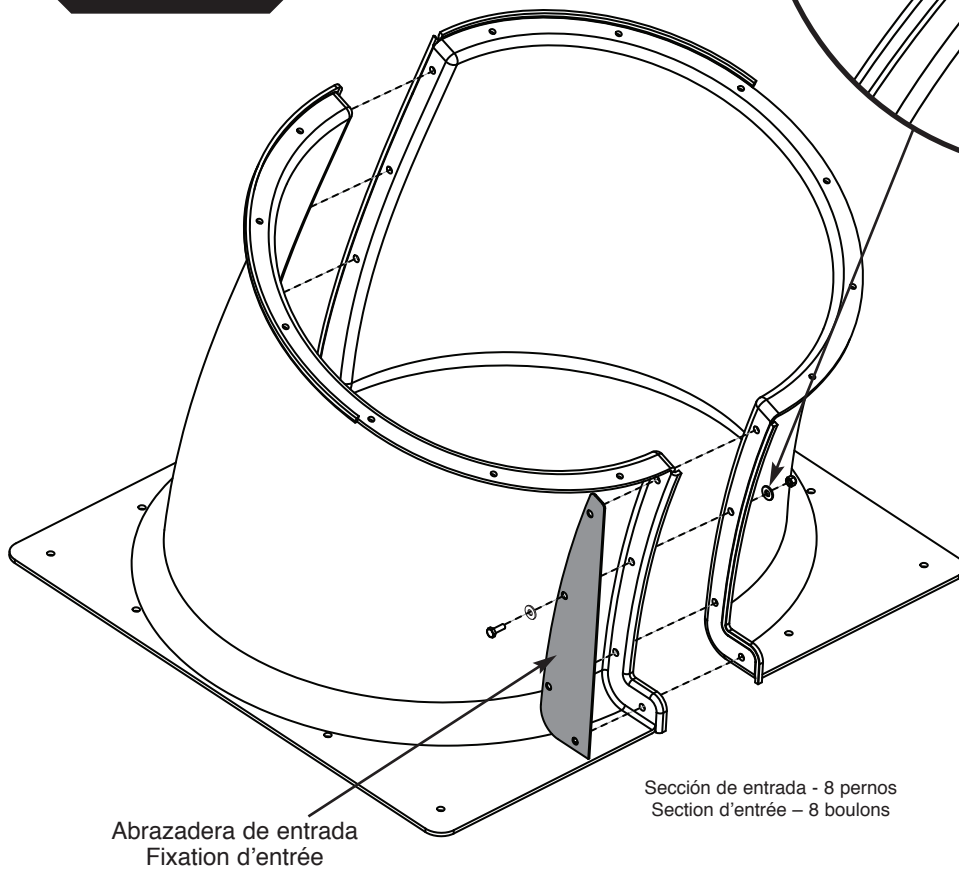
**NOTA:** El diseño entrelazado de las pestañas en las piezas del codo lo ayudará en el ensamblaje.

**ASSEMBLAGE DE LA SECTION EN COUDE ET DE LA SORTIE**

1. Assemblez la section du coude en la fixant tel qu'illustré sur les (Fig. 2) et (Fig. 2a). Joignez les sections à l'aide d'un boulon à tête hexagonale, deux rondelles plates et un contre-écrou à la jonction de chaque trou.  
**REMARQUE :** Serrez bien à la main chaque contre-écrou. À chaque fois qu'une section est jointe, assurez-vous que chaque bride avec rebord s'accouple avec une bride plate.
2. Répétez l'étape 1 pour assembler les (3) sections de coude restantes.
3. Assemblez et fixez la section de la sortie en la fixant tel qu'illustré sur les (Fig. 2a) et (Fig. 2b). Assurez-vous de fixer la fixation de support du coude au bas de la bride, tel qu'illustré sur la (Fig. 2b).
4. Serrez toute quincaillerie.

**REMARQUE :** Le concept d'interverrouillage des brides sur les parties du coude vous aidera lors de l'assemblage.

**Fig. 1**



**Fig. 1a**

Perno con cabeza hexagonal  
Boulon à tête hexagonale

Arandela  
Rondelle

Arandela  
Rondelle

Tuerca de seguridad  
Contre-écrou

Abrazadera de entrada  
Fixation d'entrée

Sección de entrada - 8 pernos  
Section d'entrée - 8 boulons

#### ENSAMBLAJE DE LA SECCIÓN DE ENTRADA

##### NOTAS:

- Se necesitan por lo menos dos personas para armar el tobogán Turbo Tube de 5'.
- Para ayudar a alinear los agujeros al unir las secciones, se debe introducir un destornillador a través de los agujeros adyacentes para mantener la alineación de estos.

1. Ensamble la sección de entrada asegurando primero la unión superior, como se muestra en la **(Fig. 1)** y la **(Fig. 1a)**. Una las secciones con un perno de cabeza hexagonal, dos arandelas planas y una tuerca de seguridad en cada unión de agujeros.
2. Cuando asegure la unión inferior asegúrese de fijar la **abrazadera de entrada** al lado izquierdo de la unión como se muestra en la **(Fig. 1)**, ubicándolo en su lugar como se muestra en la **(Fig. 1a)**.
3. Ajuste todos los herrajes.

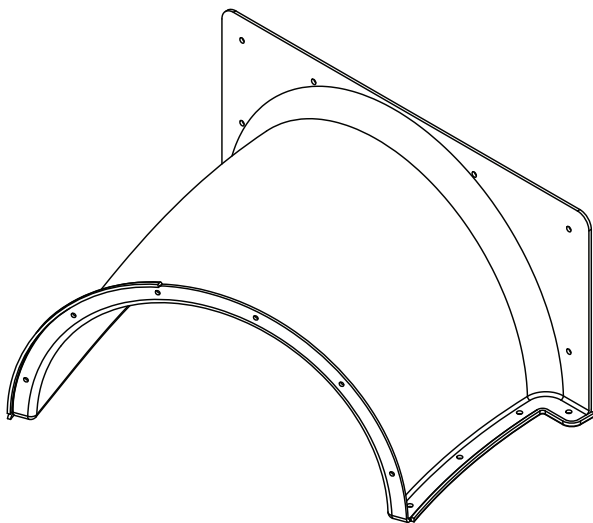
#### ASSEMBLAGE DE LA SECTION D'ENTRÉE

##### REMARQUES :

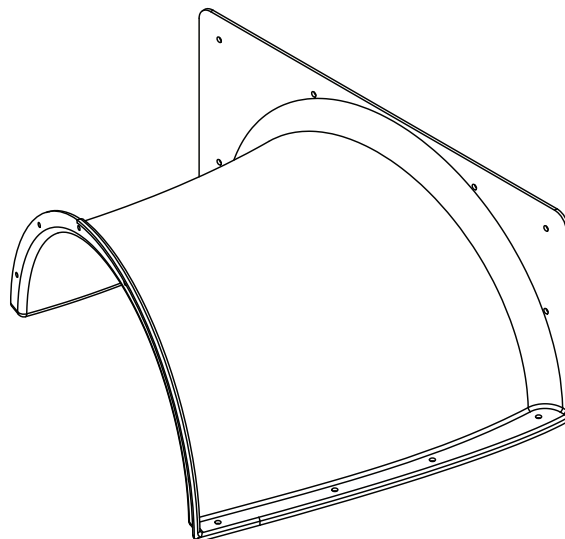
- Il faut au moins deux personnes pour assembler la glissoire Turbo Tube de 5 pi.
- Pour faciliter l'alignement des trous lors de l'assemblage des sections, insérez un tournevis dans les trous adjacents pour maintenir l'alignement.

1. Assemblez la section d'entrée en fixant le bord supérieur en premier, tel qu'illustré sur les **(Fig. 1)** et **(Fig. 1a)**. Joignez les sections à l'aide d'un boulon à tête hexagonale, deux rondelles plates et un contre-écrou à la jonction de chaque trou.
2. En fixant le bord inférieur, assurez-vous d'attacher la **fixation d'entrée** du côté gauche, tel qu'illustré sur la **(Fig. 1)**, en la fixant de la manière indiquée sur la **(Fig. 1a)**.
3. Serrez toute quincaillerie.

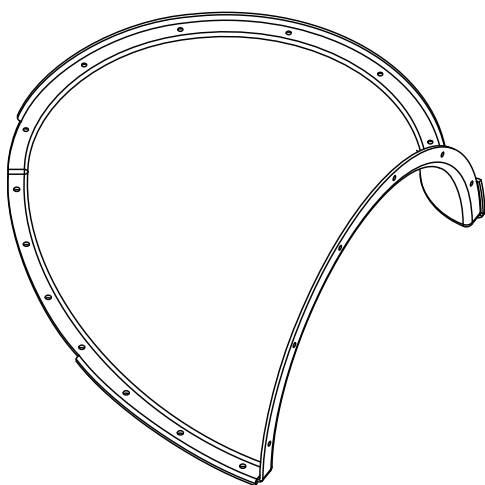
# COMPONENTES DEL TOBOGÁN / COMPOSANTES DE LA GLISSOIRE



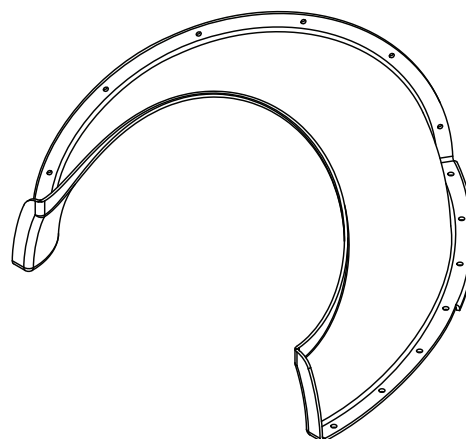
(1) Pieza de entrada del lado izquierdo  
(1) Panneau d'entrée gauche



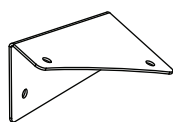
(1) Pieza de entrada del lado derecho  
(1) Panneau d'entrée droit



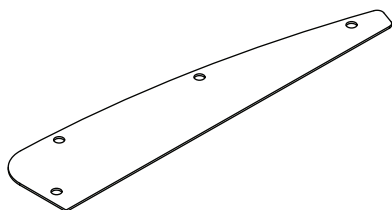
(9) Codo  
(9) Coude



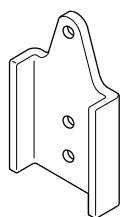
(1) Codo de salida  
(1) Coude de sortie



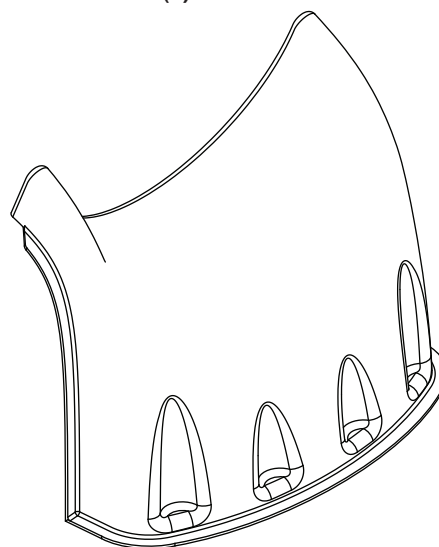
(1) Coderas Abrazadera  
(1) Fixation de support  
de coude



(1) Abrazadera de entrada  
(1) Fixation d'entrée



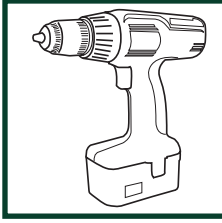
(1) Abrazadera de soporte en T  
(1) Fixation de support de barre en T



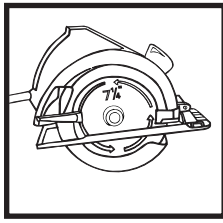
(1) Salida  
(1) Sortie



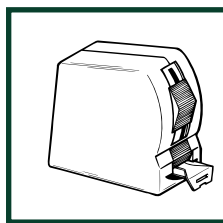
## HERRAMIENTAS REQUERIDAS / OUTILS REQUIS



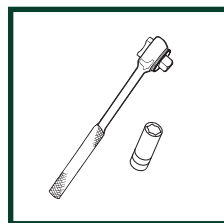
TALADRO  
PERCEUSE



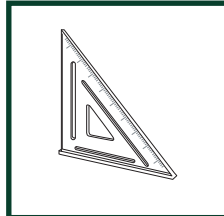
SIERRA CIRCULAR  
SCIE CIRCULAIRE



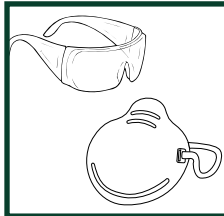
CINTA MÉTRICA  
RUBAN À MESURER



CUBOS DE 1/2" CON UNA  
LLAVE DE CUBOS  
DOUILLE ET CLÉ À MOLETTE  
DE 1/2 PO



ESCUADRA  
ÉQUERRE

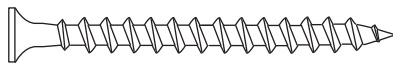


GAFAS DE SEGURIDAD  
Y MÁSCARA ANTIPOLVO  
LUNETTES DE SÉCURITÉ  
ET MASQUE  
ANTIPOUSSIÈRES

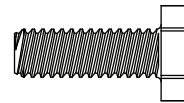


LLAVE DE CUBOS  
CLÉ ANGLAISE

## SE INCLUYEN LOS ACCESORIOS / QUINCAILLERIE COMPRISE



(2) tornillo para madera de 2"  
(2) Vis à bois de 2 po



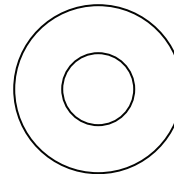
(119) pernos de cabeza  
hexagonal de 5/16" x 3/4"  
(119) Boulons à tête hexagonale  
de 5/16 po x 3/4 po



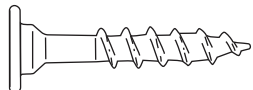
(70) tornillos para madera de 2-1/2"  
(70) Vis à bois de 2 1/2 po



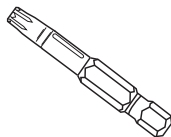
(16) tornillo de compresión de 2"  
(16) Tire-fonds de 2 po



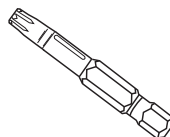
(240) arandelas planas  
de 5/16"  
(240) Rondelles plates  
de 5/16 po



(2) tornillos de compresión de 1-1/4"  
(2) Tire-fonds de 1 1/4 po



(1) broca T20 Torx®  
(1) Foret Torx<sup>MD</sup> T20



(1) broca T30 Torx®  
(1) Foret Torx<sup>MD</sup> T30

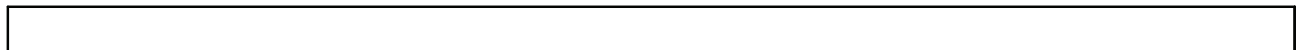


(119) tuercas de  
seguridad  
de 5/16"  
(119) Contre-écrous  
de 5/16 po

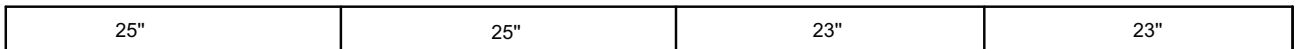
LA MADERA ADICIONAL SE COMPRA POR SEPARADO / BOIS D'ŒUVRE SUPPLÉMENTAIRE À ACHETER SÉPARÉMENT

## LISTA DE CORTE DE MADERAS / LISTE DES COUPES DE BOIS D'ŒUVRE

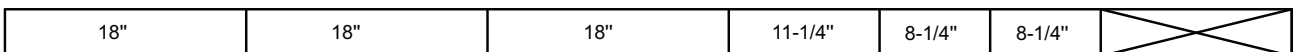
MADERA NECESARIA/BOIS D'ŒUVRE REQUIS : (4) 2" x 4" x 96"



(2) 2" x 4" x 96"



(1) 2" x 4" x 96"



(1) 2" x 4" x 96"

*Este producto ha sido ideado para su uso en una residencia u hogar de una sola familia y no para usarse en lugares públicos. Su uso en lugares públicos constituye una mala utilización de este producto.*

## **¡IMPORTANTE!**

### INSTRUCCIONES ADICIONALES DE SEGURIDAD PARA LA INSTALACIÓN

Según establece la Sociedad Americana de Pruebas y Materiales (American Society for Testing and Materials, ASTM), todos los equipos deben anclarse al suelo y, si la unidad tiene además una cuerda para escalar, el extremo de la cuerda deberá anclarse al suelo. Si las condiciones del terreno permiten que las estacas se salgan con facilidad, será entonces necesario cementarlas al suelo.

- **Para anclar la unidad al suelo**, siga las instrucciones contenidas en el presente plan para aplicar los dispositivos de anclaje a su unidad, o utilice estacas tratadas a presión de 2" x 4" x 18" (45mm x 95mm x 457mm). Martille las estacas en el suelo a una profundidad de al menos 12" (305 mm) en todas las esquinas internas de los postes (incluidas las patas del marco en A y los postes de la unidad para escalar). Fije con cuatro (4) clavos galvanizados de 16D (3-1/2") por estaca en cada poste de la torre y/o del marco en "A".
- **Si la unidad incluye una sogá para escalar**, ancla la sogá en ambos extremos.
- **Una vez que la unidad esté completamente armada y antes de que se le permita a los niños jugar en ella, se debe instalar una superficie de material adecuado para amortiguar golpes.** Esto se consigue usando materiales de relleno suelto a una profundidad adecuada. La "Guía para la seguridad en las zonas de recreo públicas" (Handbook for Public Playground Safety) publicada por la Comisión de Seguridad para los Productos de Consumo (Consumer Product Safety Commission, CPSC) cita los siguientes materiales y las profundidades requeridas que se consideran suficientes para uso en residencias y hogares. Información adicional puede encontrarse en ASTM F1292. Para protegerse de caídas de hasta 9 pies (2.742m) de altura [recomendado para los equipos Swing-N-Slide]:

<u>MATERIALES DE RELLENO SUELTO</u>	<u>PROFUNDIDAD (SIN COMPRIMIR) REQUERIDA<sup>1</sup> pulgada (mm)</u>
Mantillo de madera	9" (229 mm)
Mantillo de corteza de doble trituración	9" (229 mm)
Viruta de madera uniforme	12" (305 mm)

Estas profundidades se han extraído de la Guía de la CPSC. Swing-N-Slide no ha realizado estudios independientes para determinar estas profundidades recomendadas. Cuando el material para amortiguar golpes se instala adecuadamente, éste cubre completamente todas las superficies horizontales de las unidades para escalar. Esta superficie protectora deberá extenderse al menos 6 pies (1.828mm) en todas las direcciones, desde el perímetro del equipo o desde los bordes externos de cualquiera de los componentes. Por ejemplo, un tobogán que se extiende por fuera de la plataforma deberá tener una superficie protectora de al menos 6 pies (1.828mm) a ambos lados y en el extremo. Para columpios, la superficie protectora se debe extender **por lo menos 14 pies (6 m)** a partir de **tanto** la parte trasera **como** delantera del columpio cuando éste se encuentre en posición de reposo.

Para obtener información adicional sobre seguridad en las zonas de recreo, la Comisión de Seguridad para los Productos de Consumo (Consumer Product Safety Commission, CPSC) publica el Manual para la seguridad en las zonas de recreo domésticas al aire libre (Outdoor Home Playground Safety Handbook) que se puede descargar en forma gratuita de [www.cpsc.gov](http://www.cpsc.gov). Un recurso adicional es la Especificación Estándar de Rendimiento de la Seguridad del Consumidor de la Sociedad de EE. UU. de Pruebas y Materiales (ASTM) Para Equipos de Patios de Recreo en el Hogar (ASTM F1148) que se puede adquirir y descargar en [www.astm.org](http://www.astm.org).

## **GARANTÍA LIMITADA DEL FABRICANTE DE Swing-N-Slide®**

Swing-N-Slide® se enorgullece de la calidad y la durabilidad de nuestros productos. Nuestra garantía limitada del fabricante ofrece confianza y demuestra nuestro compromiso con la entrega de productos de calidad para zonas de recreo residenciales.

### **GARANTÍA LIMITADA DE POR VIDA DEL FABRICANTE**

Swing-N-Slide® garantiza que sus toboganes termoformados y montañas para escalar estarán libres de defectos de mano de obra y materiales, bajo condiciones y uso normales, durante la vida útil del producto.

### **GARANTÍA LIMITADA DE 5 AÑOS DEL FABRICANTE**

**Swing-N-Slide®** garantiza que sus kits de conjunto de juegos personalizados listos para armar y sus accesorios permanecerán libres de defectos de mano de obra y materiales, bajo condiciones y uso normales, durante un período de 5 años.

### **GARANTÍA LIMITADA DE 5 AÑOS DEL FABRICANTE**

**Swing-N-Slide®** garantiza que sus kits de conjunto de juegos No-Cut and Wood Complete Ready-to-Assemble Play Set no experimentarán deterioro debido a putrefacción de la madera o termitas, y que permanecerán libres de defectos de mano de obra y materiales, bajo condiciones y uso normales, durante un período de 5 años en el caso de los componentes estructurales de madera.

**Los defectos estéticos** que no afecten la integridad estructural del producto o los defectos naturales de la madera como la torsión, la rajadura, la fisuración, el pandeo, contracción, hinchamiento o cualquier otra propiedad física de la madera que no presente un riesgo de seguridad, no están cubiertos por esta garantía.

### **GARANTÍA DE UN AÑO DEL FABRICANTE**

**Swing-N-Slide®** garantiza que sus techos y/o lonas impermeabilizadas de cubierta y envoltura para madera Timber-GLOVE permanecerán libres de defectos de mano de obra y materiales, bajo condiciones y uso normales, durante un período de un año.

**Swing-N-Slide®** reparará, o según su criterio, reemplazará, dentro del período de garantía señalado, cualquier pieza que presente defectos de mano de obra o materiales. Esta decisión está sujeta a verificación del defecto luego del envío de la pieza defectuosa a Swing-N-Slide® a 1212 Barberry Drive, Janesville, Wisconsin, 53545. Toda pieza devuelta a Swing-N-Slide® primero debe tener un Número de autorización de devolución aprobado y una prueba de compra, incluida la fecha de compra. Esta garantía es válida sólo si el producto se utiliza para el objetivo que se diseñó y se instala en una vivienda unifamiliar residencial. Esta garantía queda nula si al producto se le da un uso comercial o institucional. Esta garantía no cubre (a) productos que hayan sido dañados por hechos de la naturaleza, negligencia, uso indebido o accidente, o que hayan sido modificados o reparados por personas no autorizadas; (b) el costo de la mano de obra o el costo de envío del producto, alguna pieza o un producto o pieza de reemplazo.

**Swing-N-Slide®** DESCONOCE TODAS LAS DEMÁS DECLARACIONES Y GARANTÍAS DE CUALQUIER TIPO, EXPRESAS, IMPLÍCITAS, ESTATUTARIAS U OTRAS, INCLUIDAS LAS GARANTÍAS IMPLÍCITAS DE COMERCIABILIDAD Y APTITUD PARA UN FIN ESPECÍFICO. Swing-N-Slide® NO SERÁ RESPONSABLE DE NINGÚN DAÑO FORTUITO O CONSECUENTE. Esta garantía no es transferible y no se extiende a los propietarios del producto posteriores al comprador original. Algunos estados no permiten limitaciones en las garantías implícitas ni la exclusión de daños fortuitos o consecuentes, por tanto es posible que estas restricciones no se apliquen en su caso. Esta garantía le otorga derechos legales específicos. Es posible que tenga otros derechos, que pueden variar de un estado a otro.

### **Esta garantía tampoco se aplica a:**

- Estructuras no levantadas, mantenidas ni inspeccionadas en conformidad con los planos de instalación de **Swing-N-Slide®**
- Estructuras en las que se ha agregado o sustituido piezas que no están en conformidad con los planos de instalación de **Swing-N-Slide®**
- Piezas que se han modificado, alterado o usado indebidamente
- Piezas que no se han usado según su diseño u objetivo
- Daño debido a hechos de la naturaleza, vandalismo, uso anormal o abuso según lo determine **Swing-N-Slide®**



**Atender los siguientes enunciados y advertencias reduce la posibilidad de lesiones graves o fatales.**

**Seguridad durante la instalación – Usted:**

- ¿Ha consultado las instrucciones de ensamblaje suministradas con su modelo en particular?
- ¿Ha notado que este accesorio se debe usar solamente con diseños aprobados por Swing•N•Slide? (No altere su diseño ni añada/retire componentes).
- ¿Se ha asegurado de que todos los accesorios hayan sido ajustados firmemente? (Las cubiertas de los pernos suministradas también se deben asegurar firmemente).
- ¿Se ha asegurado de cortar con una sierra de mano todos los extremos roscados sobresalientes de los pernos y demás sujetadores, así como de haber eliminado cualquier borde filoso usando una lima para metales, según haya sido necesario, y recubierto los extremos de los sujetadores con pintura sin plomo?
- ¿Ha colocado el equipo a nivel del piso, a no menos de seis pies (1.8 metros) de cualquier estructura u obstrucción tal como una cerca, garaje, casa, ramas colgantes, sogas para tender la ropa o cables eléctricos?
- ¿Se ha asegurado de que el equipo de juego no haya sido instalado sobre concreto, asfalto, tierra prensada o cualquier otra superficie dura? (Una caída sobre una superficie dura puede provocar una lesión grave al usuario del equipo).
- ¿Ha verificado que las cuerdas para escalar, la cadena o el cable suspendidos estén sujetos en ambos extremos?
- ¿Ha consultado las zonas mínimas de uso en las instrucciones de ensamblaje de su modelo en particular?
- ¿Ha usado un sellador de agua en su conjunto de juego para proteger la madera y prevenir que se agriete y se tuerza?
- ¿Ha seguido todos los requisitos que se encuentran en el reverso de esta página relacionados con el anclaje y el recubrimiento amortiguador de golpes, según corresponda?
- ¿Se ha asegurado de no permitir que los niños usen los equipos hasta que éstos queden correctamente instalados?
- ¿Se ha asegurado de ajustar todos los columpios de manera que haya un espacio mínimo de 8" entre el columpio y la superficie del suelo?

**Seguridad durante la operación – Usted:**

- ¿Se ha asegurado de que en el sitio de juegos haya supervisión por parte de un adulto para los niños de todas las edades?
- Antes de permitirles usar los equipos, ¿les ha enseñado a los niños lo siguiente? No caminar cerca, enfrente, por detrás o entre objetos móviles.
  - No retorcer el columpio ni cualquiera de las cadenas o cuerdas accesorias ni enrollarlas sobre la barra de soporte superior, ya que esto reduciría la fuerza de la cadena o la cuerda.
  - No columpiar los asientos vacíos u otros accesorios.
  - No deslizarse hacia abajo por las cadenas de los columpios.
  - Asegurarse de sentarse en el centro del columpio y en los otros accesorios, con todo el peso sobre el asiento.
  - No unir accesorios al equipo de juego que no estén diseñados específicamente para el mismo, como los siguientes, entre otros: cuerdas para saltar, sogas para tender la ropa, correas para mascotas, cables y cadenas. Éstos pueden provocar peligro de estrangulamiento.
  - No trepar ni caminar sobre la parte superior de las vigas de los columpios, los pasamanos o el techo.
  - No usar los equipos de manera diferente a aquella para la cual fueron diseñados.
  - No saltar de los equipos cuando están en movimiento.
  - No subirse a los equipos cuando estén mojados.
  - Asegurarse de bajar por los toboganes con los pies por delante.
- ¿Ha determinado que sólo se puede permitir un niño por asiento en un mismo momento?
- ¿Has determinado que los niños deben estar vestidos en forma adecuada para el juego? Evita chaquetas con capucha, cascos para bicicletas u otros deportes, ropa con cordones y suelta que podría hacer que se enreden o se enganchen en el equipo.
- ¿Has determinado que las sogas, cadenas o cables para escalar están anclados firmemente en ambos extremos y no pueden entrelazarse?
- ¿Se ha asegurado de que el tobogán se ubique de manera que no esté bajo la luz directa del sol?

**Mantenimiento de Seguridad–Sigue estas instrucciones preventivas de mantenimiento en los intervalos requeridos:**

- Para evitar el deterioro de los materiales, retira los asientos de plástico de los columpios y otros accesorios de plástico cuando la temperatura exterior baje a 32° F o menos y llévalos a un lugar bajo techado. Reinstala estos elementos plásticos al inicio de cada temporada de juego.
- Al inicio de cada temporada de juego verifica que las piezas de metal no se hayan oxidado. Si se encuentran indicios de corrosión, lija y vuelve a pintar usando una pintura que no sea a base de plomo y que cumpla con los requisitos 16 CFR 1303 o SOR/2005-109.
- Al inicio de cada temporada de juego y una vez al mes durante la misma, verifica que las piezas móviles no se hayan desgastado, oxidado o deteriorado de otra manera. Reemplázala si es necesario. Si existe alguna de estas condiciones, llama al 1-800-888-1232 para ordenar los accesorios de repuesto.
- Al inicio de cada temporada de juego y una vez al mes durante la misma, lubrica las piezas de metal en movimiento.
- Al inicio de cada temporada de juego y dos veces al mes durante la misma, revisa todas las cubiertas protectores de pernos, tubos, bordes y esquinas. Reemplázalas si están sueltas, rotas o si faltan.
- Al inicio de cada temporada de juego y dos veces al mes durante la misma, rastrilla y verifica la profundidad del material protector de relleno de superficies para que no esté flojo, evitar la compactación y mantener la profundidad adecuada. Reemplaza según sea necesario.
- Al inicio de cada temporada de juego y dos veces al mes durante la misma, ajusta todos los herrajes.
- Al inicio de cada temporada de juego y una vez al mes durante misma, verifica que las piezas de madera no estén deterioradas y astilladas. Lija las astilladuras y reemplaza las partes de madera deterioradas.

**Instrucciones de desecho**

Cuando el equipo sea retirado de servicio, se debe desarmar y desechar de tal manera que no presente peligros no razonables al momento de desecharlo.

**¡Importante! Instrucciones de seguridad adicionales para todos los equipos de juego Swing-N-Slide.  
Guardar esta hoja de instrucciones en caso de que se requiera contactar al fabricante.**

**Ce produit est destiné à un usage résidentiel et familial seulement et n'est pas conçu pour une utilisation dans un endroit public. L'installation de ce centre de jeu dans un endroit public constitue une mauvaise utilisation de ce produit.**

## **IMPORTANT!**

### **INSTRUCTIONS SUPPLÉMENTAIRES POUR UNE INSTALLATION SÉCURITAIRE**

Les normes établies par l'organisme américain ASTM spécifient que toutes les unités de jeu doivent être ancrées solidement au sol et que si l'unité comprend une corde d'escalade, l'extrémité de celle-ci doit également être ancrée au sol. Si les conditions de sol permettent aux piquets d'ancrage d'être arrachés facilement, ceux-ci devront être encastrés dans du béton.

- **Pour ancrer l'unité au sol**, respecter les instructions incluses dans le présent plan concernant l'utilisation des ancrages « Anchor-It » à votre unité, ou utiliser des piquets en bois traité sous pression de 2 x 4 x 18 po (45 x 95 x 457 mm). Enfoncer les piquets dans le sol à au moins 12 po (305 mm) à chacun des coins intérieurs des poteaux (incluant les pattes des cadres en « A » et les poteaux des ensembles d'escalade). Fixer au moyen de quatre (4) clous galvanisés 16D de 3,5 po (89 mm) par piquet dans chaque montant de tour et(ou) cadre en A.
- **Si l'unité comporte une corde d'escalade**, ancrez solidement cette corde aux deux bouts.
- **Une fois le centre de jeu complètement assemblé et avant de permettre aux enfants d'y jouer, un matériau de surfacage pouvant absorber les chocs doit être installé. Cela peut être réalisé par l'utilisation d'un matériau de remplissage en vrac d'une épaisseur suffisante.** Le manuel « Handbook for Public Playground Safety » de la commission de la sécurité des produits de consommation (Consumer Product Safety Commission, CPSC) fait l'énumération des matériaux suivants et définit les épaisseurs minimales pour des applications résidentielles. On peut trouver des informations complémentaires dans le document ASTM F1292. Pour une protection antichute allant jusqu'à 9 pi (2,74 m) [recommandée pour les ensembles Swing•N•Slide] :

<u>MATÉRIAUX DE REMPLISSAGE EN VRAC</u>	<u>PROFONDEUR REQUISE (NON COMPACTÉE) 1 PO (25 MM)</u>
Paillis de bois	9" (229mm)
Paillis d'écorce à déchetage double	9" (229mm)
Copeaux de bois uniformes	12" (305mm)

Ces épaisseurs proviennent du manuel de la CSPC. Pour déterminer ces profondeurs, Swing•N•Slide n'a réalisé aucun test indépendant.

Lorsqu'il est adéquatement installé, le matériau de surfacage pour absorption de choc devrait recouvrir complètement les bases de bois horizontales des ensembles d'escalade. Ces surfaces protectrices doivent s'étendre jusqu'à un minimum de 6 pi (1,828 m) dans toutes les directions à partir du périmètre de l'équipement ou de la limite extérieure de tout composant. Par exemple, une glissoire s'étendant au-delà de la plate-forme doit comporter une surface protectrice sur au moins 6 pi (1,828 m) sur les deux côtés, de même qu'à son extrémité. Pour les balançoires, la surface de protection doit s'étendre d'au moins 14 pi (6 m) à partir de l'avant et de l'arrière de la balançoire lorsqu'elle est en position de repos.

**Pour de plus amples renseignements sur la sécurité des terrains de jeu, télécharger gratuitement le manuel « Handbook for Public Playground Safety » de la commission de la sécurité des produits de consommation (CPSC) qui se trouve à l'adresse [www.cpsc.gov](http://www.cpsc.gov). Une ressource supplémentaire est offerte par la spécification sur le rendement en matière de la sécurité des consommateurs des terrains de jeux résidentiels (ASTM F1148) de l'American Society of Testing and Materials (ASTM - société américaine pour les essais et les matériaux), que l'on peut acheter ou télécharger de [www.astm.org](http://www.astm.org).**

## **GARANTIE LIMITÉE DU FABRICANT Swing-N-Slide®**

**Swing-N-Slide®** est fière de la qualité et de la durabilité de ses produits. Notre garantie limitée du fabricant donne l'assurance et démontre notre engagement envers la fabrication d'articles pour terrain de jeu résidentiel de qualité.

### **GARANTIE LIMITÉE À VIE DU FABRICANT**

**Swing-N-Slide®** garantit ses glissoires thermoformées et murs d'escalade contre toute défectuosité de matériaux et de fabrication, lorsqu'utilisés dans des conditions et pour un usage normaux, pour la durée de vie du produit.

### **GARANTIE LIMITÉE DE CINQ (5) ANS DU FABRICANT**

**Swing-N-Slide®** garantit ses ensembles et accessoires de jeu personnalisés prêt-à-monter contre toute défectuosité de matériaux et de fabrication, lorsqu'utilisés dans des conditions et pour un usage normaux, pour une période de cinq (5) ans.

### **GARANTIE LIMITÉE DE CINQ (5) ANS DU FABRICANT**

**Swing-N-Slide®** garantit les composants structurels en bois de ses ensembles et accessoires de jeu sans coupe et tout bois contre les dommages causés par la pourriture et les termites, et contre toute défectuosité de matériaux et de fabrication, lorsqu'utilisés dans des conditions et pour un usage normaux, pour une période de cinq (5) ans.

**Les défauts de fabrication** apparents qui n'influencent pas l'intégrité structurale du produit, ou les défauts naturels du bois tels que la déformation, les fissures, les gerçures, la torsion, le retrait, l'enflure ou d'autres propriétés physiques du bois qui ne constituent pas un danger pour la sécurité, ne sont pas couverts par cette garantie.

### **GARANTIE D'UN (1) AN DU FABRICANT**

**Swing-N-Slide®** garantit ses bâches de toit et/ou ses bâches, et la toile protectrice pour bois Timber GLOVE contre toute défectuosité de matériaux et de fabrication, lorsqu'utilisés dans des conditions et pour un usage normaux, pour une période d'un (1) an.

**Swing-N-Slide®** réparera, ou à sa discrétion, remplacera toute pièce présentant un défaut de matériaux et de fabrication au cours de la période de garantie mentionnée. Cette décision est sous réserve d'une vérification de la défectuosité à la livraison de la pièce défectueuse à **Swing-N-Slide®** à 1212 Barberry Drive, Janesville, Wisconsin, 53545 É.-U. Toute pièce retournée à **Swing-N-Slide®** doit être accompagnée d'un numéro d'autorisation de retour approuvé au préalable et d'une preuve d'achat datée. Cette garantie est valide uniquement si le produit est utilisé aux fins pour lesquelles il est conçu et s'il est installé sur un terrain unifamilial et résidentiel. Elle est nulle si le produit est à usage commercial ou collectif. Cette garantie ne couvre pas (a) les produits qui ont été endommagés par des calamités naturelles, de la négligence, une mauvaise utilisation ou par accident, ou qui ont été modifiés ou réparés par des personnes non autorisées; (b) le coût de la main-d'oeuvre; ou le coût de l'envoi du produit, de toute pièce ou de tout produit ou pièce de rechange.

**Swing-N-Slide®** RENONCE À TOUTES AUTRES REPRÉSENTATIONS ET GARANTIES DE TOUTES SORTES, EXPLICITES, IMPLICITES, RÉGLEMENTAIRES OU AUTRES, Y COMPRIS LES GARANTIES IMPLICITES DE QUALITÉ MARCHANDE ET D'ADÉQUATION À UN USAGE PARTICULIER. **Swing-N-Slide®** N'EST PAS RESPONSABLE DES DOMMAGES ACCESSOIRES OU INDIRECTS. Cette garantie n'est pas cessible, ni transférable à un propriétaire subséquent. Certains États interdisent les limitations sur les garanties implicites ou l'exclusion de dommages accessoires ou indirects, il est donc possible que ces restrictions ne s'appliquent pas dans le cas présent. Cette garantie vous donne des droits juridiques spécifiques. Vous pouvez également disposer d'autres droits, qui peuvent varier d'un État à l'autre.

### **De plus, cette garantie ne s'applique pas à :**

- Des structures qui ne sont pas érigées, entretenues ou inspectées conformément aux plans d'installation de **Swing-N-Slide®**;
- Des structures auxquelles des pièces, ne respectant pas les plans d'installation de **Swing-N-Slide®**, ont été ajoutées ou substituées;
- Des pièces qui ont été modifiées ou mal utilisées;
- Des pièces qui n'ont pas été utilisées à des fins pour lesquelles elles ont été conçues;
- Des dommages dus à des calamités naturelles, au vandalisme, à un usage anormal ou abusif tel qu'établi par **Swing-N-Slide®**.

## L'observation des déclarations et des avertissements suivants réduit les risques de blessures graves ou mortelles

### Installation sécuritaire - Avez-vous :

- Consulté les instructions d'assemblage fournies avec l'unité de jeu?
- Noté que cet accessoire convient uniquement aux unités de jeu Swing•N•Slide approuvées? (ne modifiez pas sa composition et n'ajoutez ni ne retirez de composantes);
- Vérifié que toute la quincaillerie est solidement fixée en place? (les capuchons protecteurs de boulons fournis doivent également être solidement fixés);
- Utilisé une scie à métaux pour couper les extrémités des boulons ou autres fixations qui dépassent, limé tous les bords tranchants avec une lime métallique et recouvert l'extrémité des attaches avec de la peinture sans plomb?
- Placé l'équipement sur une surface plane et de niveau à une distance d'au moins 6 pieds (1,8 m) de toute structure ou de tout objet, comme une clôture, un garage, une maison, des branches d'arbre surplombantes, une corde à linge ou des fils électriques?
- Vérifié que l'équipement de jeu n'est pas installé sur un sol en béton, en asphalte, en terre compactée ni sur toute autre surface dure? (une chute sur une surface dure peut entraîner de sérieuses blessures à l'utilisateur de cet équipement);
- Vérifié que les cordes d'escalade suspendues, les chaînes ou câbles sont solidement ancrés aux deux bouts et ne peuvent pas s'enrouler sur eux-mêmes?
- Consulté les directives d'assemblage du modèle afin de connaître les zones d'utilisation minimales?
- Utilisé un scellant hydrofuge pour protéger le bois et prévenir l'apparition de fissures et de déformation sur votre ensemble de jeu?
- Respecté toutes les exigences d'ancrage et de recouvrement amortissant pertinentes qui figurent au verso de cette feuille?
- Interdit aux enfants d'utiliser l'équipement tant que l'assemblage n'est pas complètement terminé?
- Veillé à ajuster toutes les balançoires, afin qu'il y ait une distance minimum de 8 po (200 mm) entre la balançoire et la surface du sol?

### Précautions d'utilisation – Vous devez :

- Assurer qu'un adulte est présent pour surveiller les enfants de tous âges.
- Aviser les enfants de respecter les consignes qui suivent avant de leur permettre d'utiliser l'équipement.
  - Ne pas marcher près ni en face des éléments mobiles, ni derrière ceux-ci.
  - Ne pas tordre la balançoire ou toute autre chaîne et corde accessoires et ne pas les entortiller sur la barre de soutien supérieure, car cela réduirait la résistance de la chaîne ou de la corde.
  - Ne pas balancer les sièges de balançoire ou d'autres accessoires lorsqu'ils sont vides.
  - Ne pas glisser le long des chaînes de la balançoire.
  - Vous assurer d'être assis bien au centre du siège de la balançoire et des autres accessoires avec votre poids entier sur le siège.
  - Ne pas attacher d'objets sur l'équipement de jeu qui ne sont pas spécifiquement conçus pour cet équipement tels que, mais sans s'y limiter, cordes à sauter, cordes à linge, laisses d'animaux, câbles et chaînes. Ils pourraient présenter des risques de strangulation.
  - Ne pas grimper ou marcher sur le dessus des poutres, des rampes ou du toit de la balançoire.
  - Veiller à ne pas utiliser l'équipement à des fins autres que celles prévues.
  - Ne pas descendre de l'équipement lorsqu'il est en mouvement.
  - Ne pas grimper sur l'équipement lorsqu'il est mouillé.
  - Veiller à descendre les pieds devant.
- Vous assurer qu'un seul enfant à la fois, par siège, doit être permis sur cet équipement.
- Déterminé que les enfants doivent être habillés convenablement pour jouer. Évitez les vestes à capuchon, casques de bicyclette ou d'autres sports, les vêtements avec des cordons et les vêtements amples qui pourraient s'emmêler ou s'accrocher sur l'équipement.
- Déterminé que les cordes d'escalade suspendues, les chaînes ou câbles sont solidement ancrés aux deux bouts et ne peuvent pas s'enrouler sur eux-mêmes.
- Vous assurer que la glissoire est installée de façon à ne pas être exposée à un ensoleillement direct.

### Entretien de sécurité – Suivez ces consignes d'entretien préventif aux intervalles de temps requis :

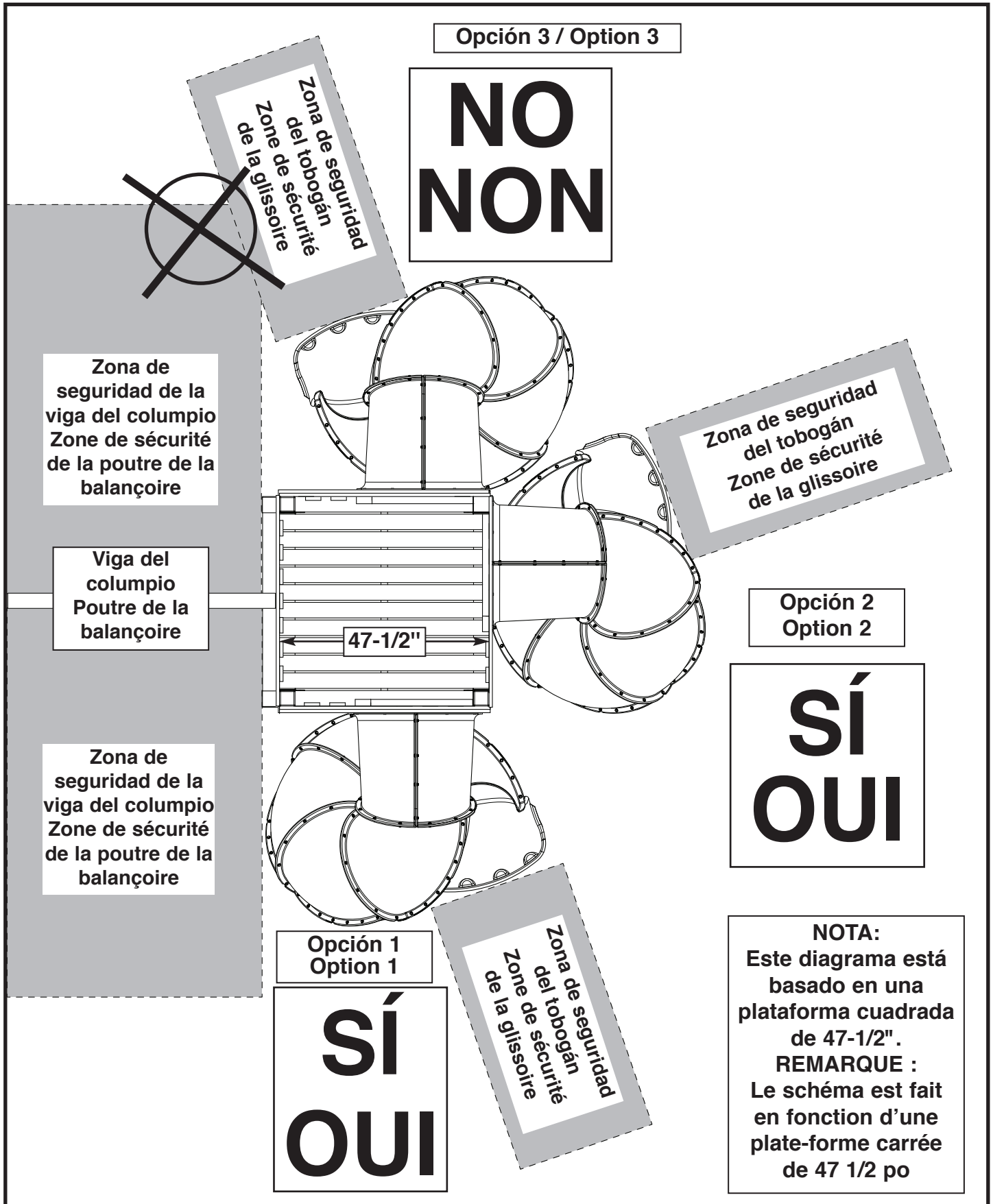
- Pour empêcher la détérioration des matériaux, retirez les sièges de balançoire en plastique et les autres accessoires en plastique lorsque les températures extérieures descendent jusqu'à ou en dessous de 0 °C (32 °F) et rentrez-les à l'intérieur. Réinstallez ces éléments en plastique au début de chaque saison de jeux à l'extérieur.
- Au début de chaque saison de jeux à l'extérieur, inspectez les pièces métalliques à la recherche de rouille. Si vous trouvez des parties rouillées, poncez-les et repeignez-les avec une peinture sans plomb conforme aux exigences de la norme 16 CFR 1303 ou SOR/2005-109.
- Au début de chaque saison de jeux à l'extérieur et une fois par mois pendant chaque saison, inspectez les pièces mobiles à la recherche d'usure, de rouille ou toute autre détérioration. Remplacez-les selon les besoins. Si une de ces conditions existe, appelez le 1 800 888-1232 pour commander les accessoires de rechange.
- Au début de chaque saison de jeux à l'extérieur et une fois par mois pendant chaque saison, lubrifiez les pièces métalliques mobiles.
- Au début de chaque saison de jeux à l'extérieur et deux fois par mois pendant chaque saison, inspectez toutes les protections couvrant les boulons, tuyaux, rebords et coins. Remplacez-les si elles sont desserrées, fissurées ou manquantes.
- Au début de chaque saison de jeux à l'extérieur et deux fois par mois pendant chaque saison, ratissez et vérifiez la profondeur du matériau particulaire de revêtement de protection pour en prévenir le compactage et maintenir une profondeur appropriée. Remplacez si nécessaire.
- Au début de chaque saison de jeux à l'extérieur et deux fois par mois pendant chaque saison, resserrez toutes les pièces de quincaillerie.
- Au début de chaque saison de jeux à l'extérieur et deux fois par mois pendant chaque saison, inspectez tous les éléments en bois à la recherche de détérioration et d'échardes. Poncez les échardes pour les éliminer et remplacez les éléments en bois détériorés.

### Instructions pour la mise au rebut

Lorsque l'équipement est mis hors service, il doit être démonté et conditionné de sorte qu'aucun danger justifié ne sera présent lors de la mise au rebut de l'ensemble.

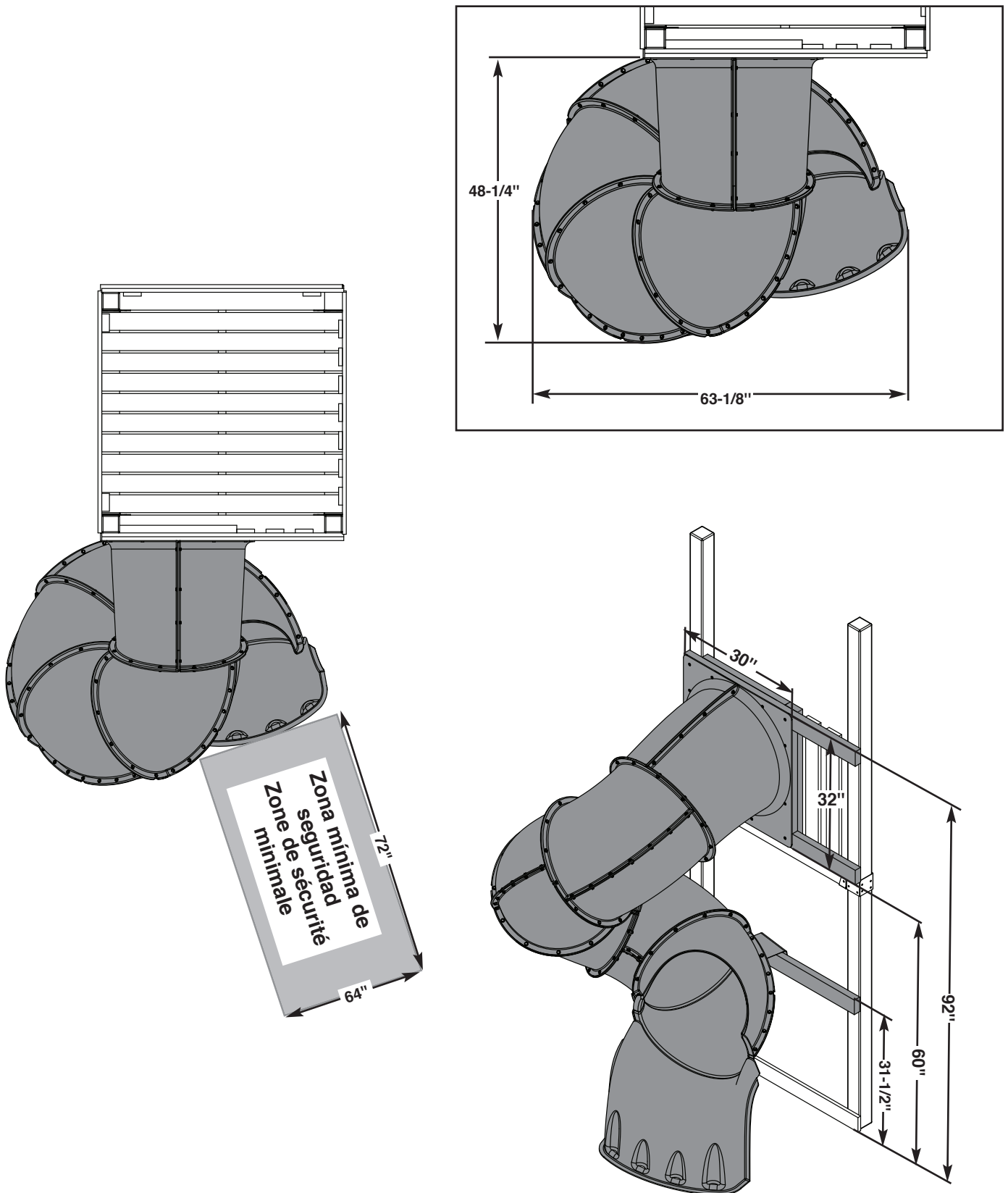
**Important! Instructions supplémentaires de sécurité pour tous les centres de jeu Swing-N-Slide. Conserver ce feuillet d'instruction au cas où vous devriez prendre contact avec le fabricant.**

# Colocación correcta del tobogán Turbo Tube en la torre Emplacement approprié de la glissoire Turbo Tube sur la tour



# Dimensiones del tobogán Turbo Tube

## Dimensions de la glissoire Turbo Tube





A PLAYCORE Company

# INSTRUCCIONES DE ENSAMBLAJE INSTRUCTIONS D'ASSEMBLAGE

## **Tobogán Turbo Tube de 5'** **Glissoire Turbo Tube de 5 pi**

**Nota:** Este accesorio está diseñado para colocarse en plataformas de 5 pies de alto únicamente.

**Remarque :** Cet accessoire est conçu pour s'adapter à une plate-forme haute de 5 pi seulement.

### PRECAUCIÓN

- No trepar por el exterior del tobogán
- Este tobogán está diseñado para ser usado en casa, no para sitios públicos de juego.
- Producto diseñado para niños de 2 a 10 años.

### MISE EN GARDE

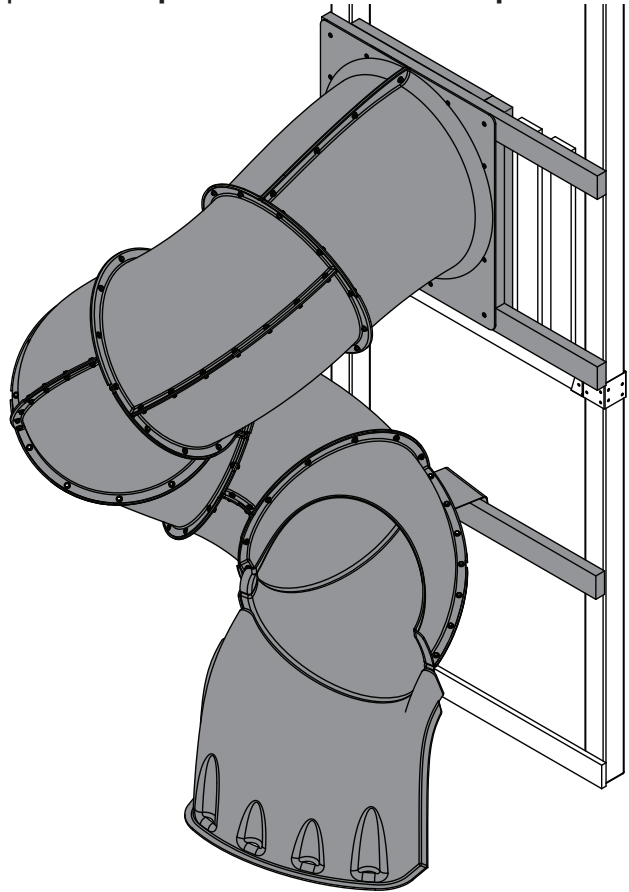
- Ne pas grimper sur l'extérieur de la glissoire
- Cette glissoire est conçue pour une utilisation résidentielle seulement et non pour être utilisée sur des terrains de jeu publics.
- Ce produit est conçu pour les enfants de 2 à 10 ans.



**ADVERTENCIA:**  
El ensamblaje lo debe hacer un adulto.



**AVERTISSEMENT:**  
L'assemblage doit être exécuté par un adulte.



### ¡IMPORTANTE!

#### ¡LEA ANTES DE COMENZAR EL ENSAMBLAJE!

Asegúrese de que todas las piezas de madera, los herrajes y los accesorios estén incluidos. Si falta algo, **NO DEVUELVA EL KIT** a la tienda donde lo compró. Llame a nuestro Departamento de Servicio al Cliente, al número que aparece abajo.

### IMPORTANT!

#### VEUILLEZ LIRE AVANT DE COMMENCER L'ASSEMBLAGE!

Veillez vous assurer d'avoir toutes les pièces de bois, de quincaillerie ainsi que tous les accessoires. S'il vous manque quoi que ce soit, **NE RETOURNEZ PAS** l'article au magasin où vous l'avez acheté. Veuillez communiquer avec notre service à la clientèle en téléphonant au numéro ci-dessous.

Para registrar su producto y descargar las instrucciones específicas de la unidad tobogán Turbo Tube, visite:

<http://www.swing-n-slide.com>

Se incluyen otros beneficios, como información sobre las garantías del producto, actualizaciones del plan de ensamblaje, unirse a nuestra lista de correo para nuevos productos y promociones y proporcionar comentarios sobre los productos.

Pour enregistrer votre produit et télécharger les instructions particulières à la glissoire Turbo Tube, visitez le site Web :

<http://www.swing-n-slide.com>

Vous y trouverez également des informations au sujet des garanties des produits, des mises à jour concernant les plans d'assemblage, et vous pourrez également vous abonner à notre liste d'envoi afin de connaître les nouveaux produits et les promotions que nous offrons et nous faire part de vos commentaires et suggestions concernant les produits.

Swing-N-Slide • 1212 Barberry Drive • Janesville, Wisconsin 53545

Visite nuestro sitio Web en: [www.swing-n-slide.com](http://www.swing-n-slide.com) o llámenos al

Consultez notre site Internet à l'adresse suivante : [www.swing-n-slide.com](http://www.swing-n-slide.com) ou téléphonez-nous au

**1-800-888-1232**