

TRADITIONAL

BOX CONTENTS

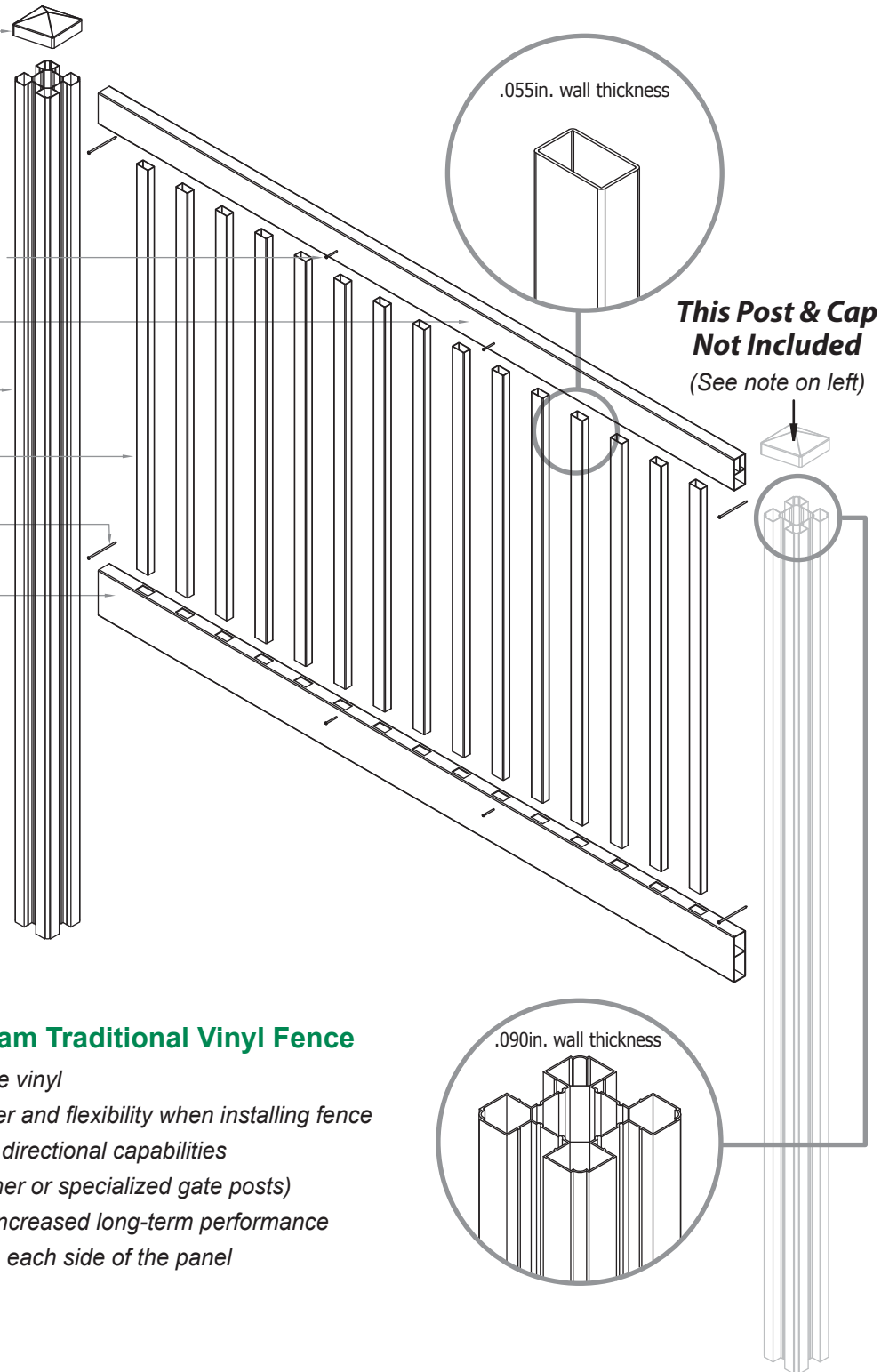
Each Fence Panel Box Includes:

- Post Cap (1)
- 1.25in. Stainless Steel Screws (4)
- Top Rail (1)
- Post (1)
- Pickets (15)
- 3.5in. Stainless Steel Screws (4)
- Bottom Rail (1)

Sold Separately:

- Post & Cap

PLEASE NOTE:
YOU WILL NEED TO PURCHASE ONE EXTRA POST & CAP TO COMPLETE EACH OF YOUR FENCE RUNS
 (Extra posts are sold as 2-packs).

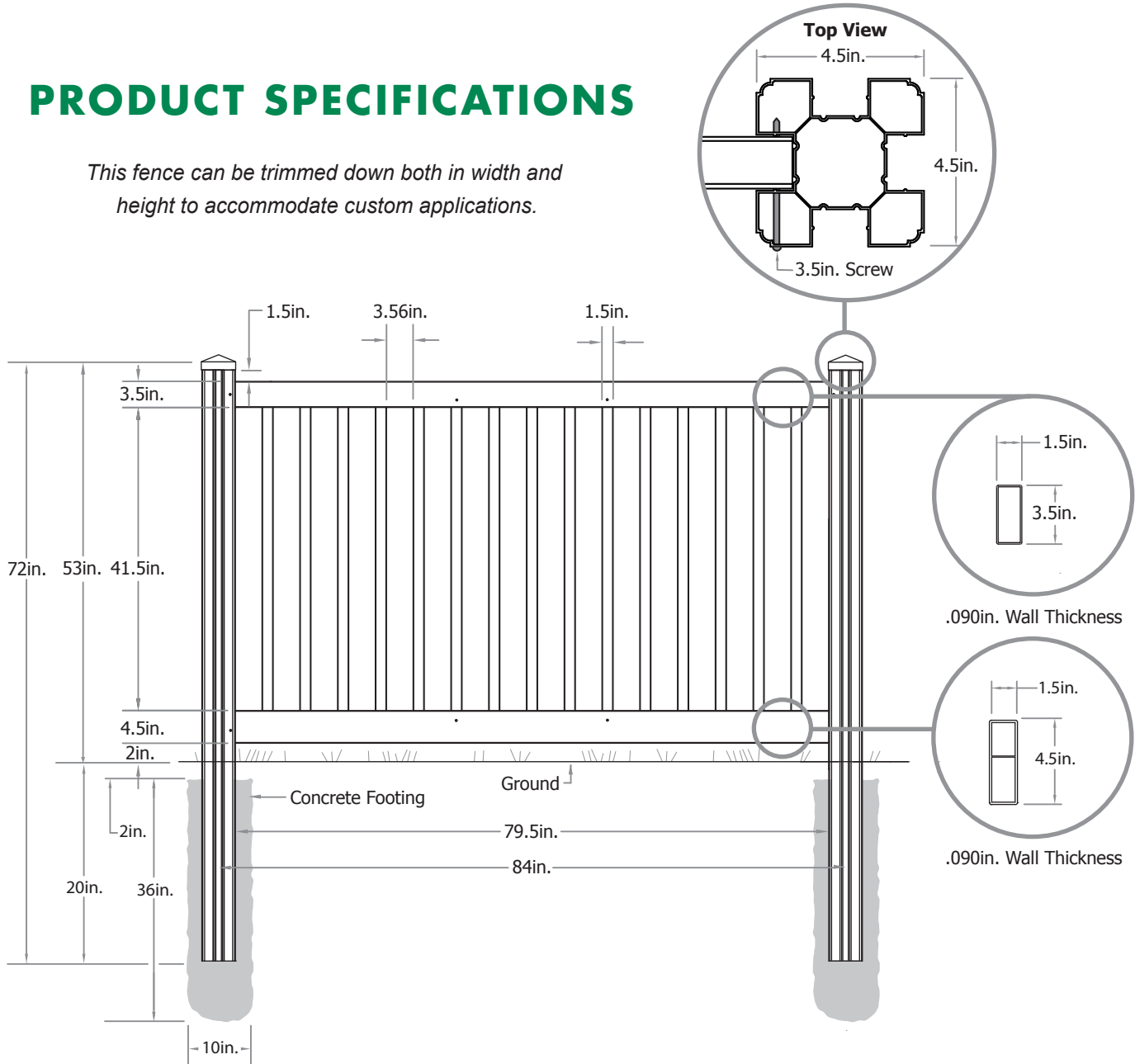


Discover the Benefits of WamBam Traditional Vinyl Fence

- Made of durable, low-maintenance white vinyl
- Post design offers architectural character and flexibility when installing fence
- Post design also offers 4-way universal directional capabilities (you do not need to order end, line, corner or specialized gate posts)
- Innovative locking pickets and rails for increased long-term performance
- Symmetrical appearance; same look on each side of the panel
- Limited Lifetime Warranty

PRODUCT SPECIFICATIONS

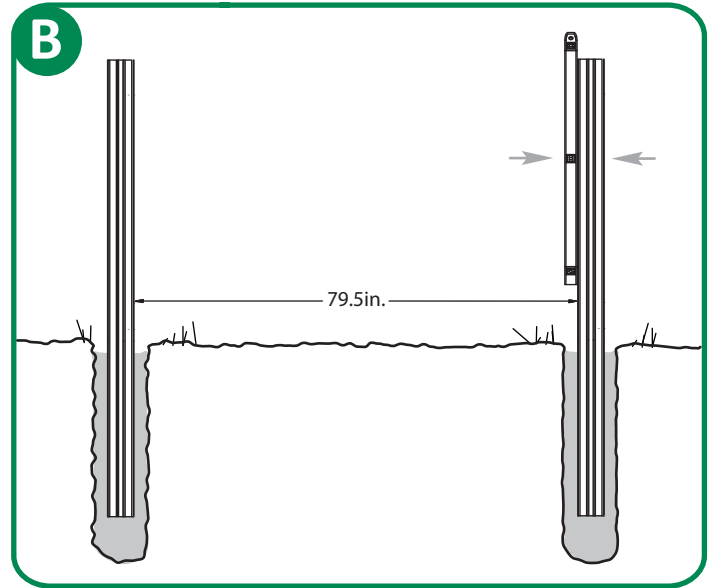
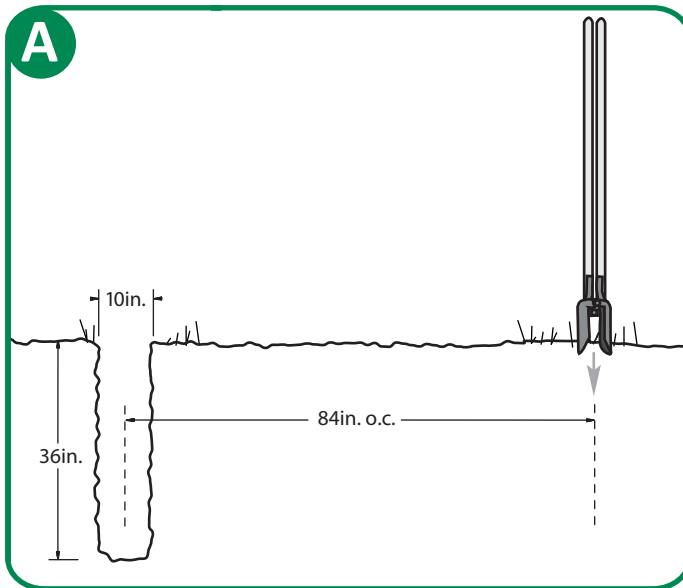
This fence can be trimmed down both in width and height to accommodate custom applications.



**Please adhere to the above dimensions if installing around a pool to comply with BOCA code.*

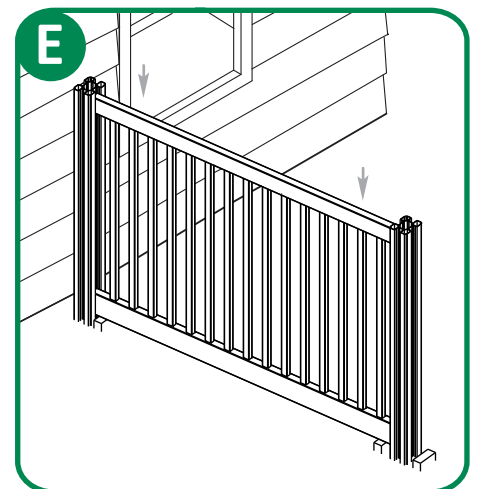
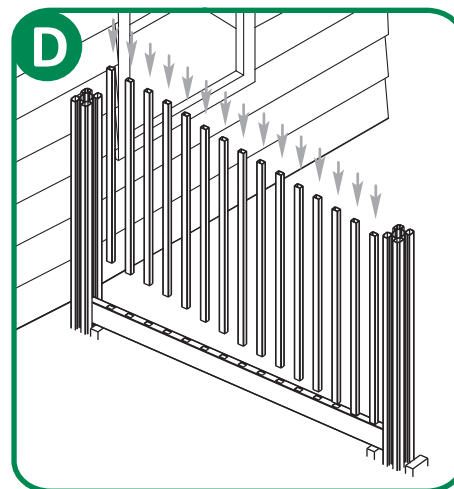
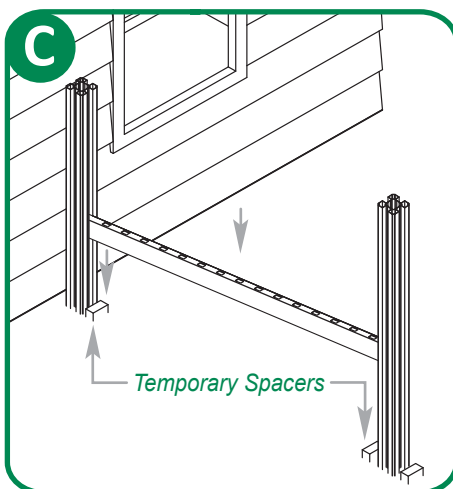
QUICKIE OVERVIEW

- Prior to construction, check with your regulatory agency for special code requirements in your area.
- Contact your utility supplier to locate and mark underground lines before excavation.
- Sketch out the layout of your fence and calculate the number of panels, gates and posts required (order one extra post & cap to finish each fence run).
- Careful planning & measuring of your fence is essential, as moving posts after the concrete sets is extremely difficult.



After stringing your fence line, dig your first post hole 10in. diameter x 36in. deep. Dig your second hole 84in. on center to your first hole, and so on. Dig only three or four holes at a time to ensure proper spacing.

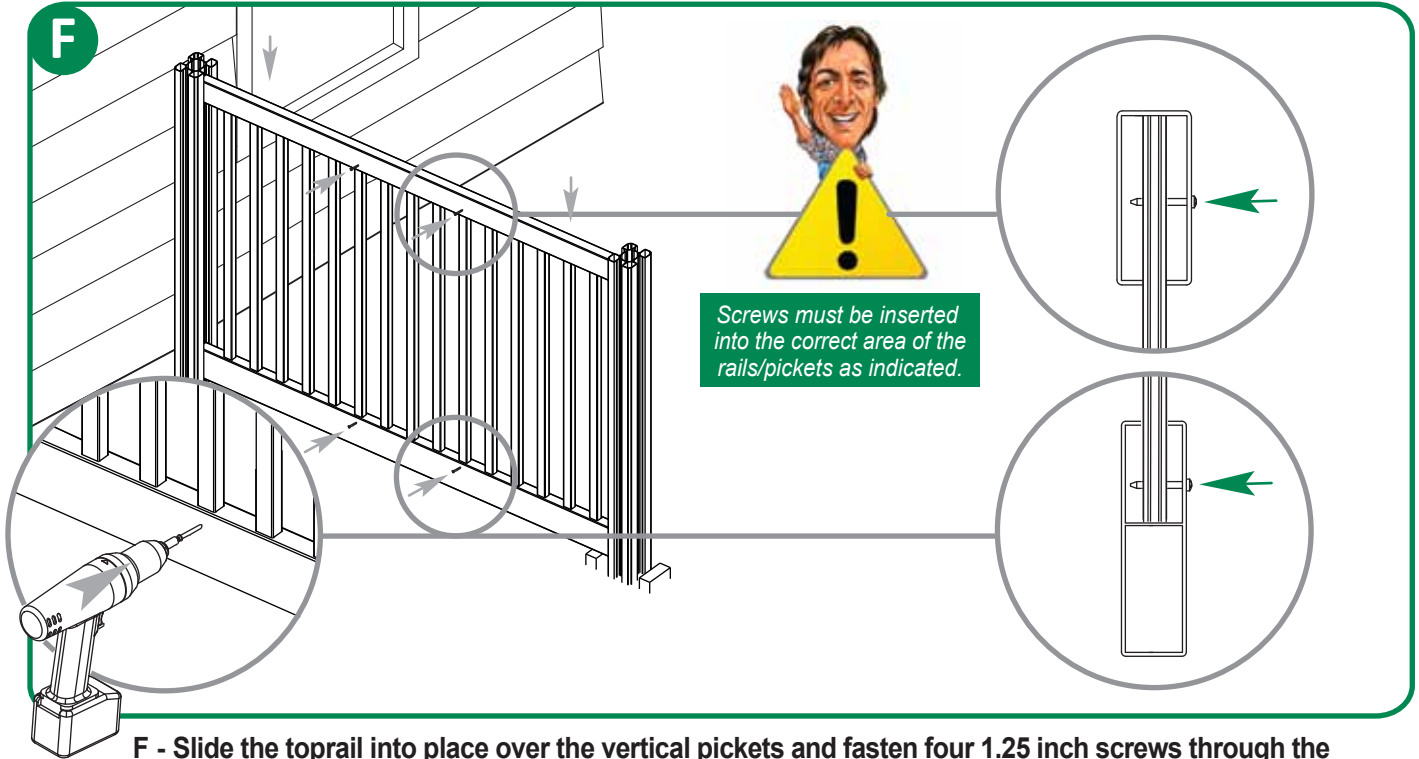
- 1 - Add approximately 18in. of concrete to the bottom of the hole.
- 2 - Install posts straight and level.
- 3 - Add more concrete to within 2in. of ground level.



Slide the bottom rail through the channel in the post into approximate position (about 2in. above the ground).

Slide pickets through holes in bottom rails.

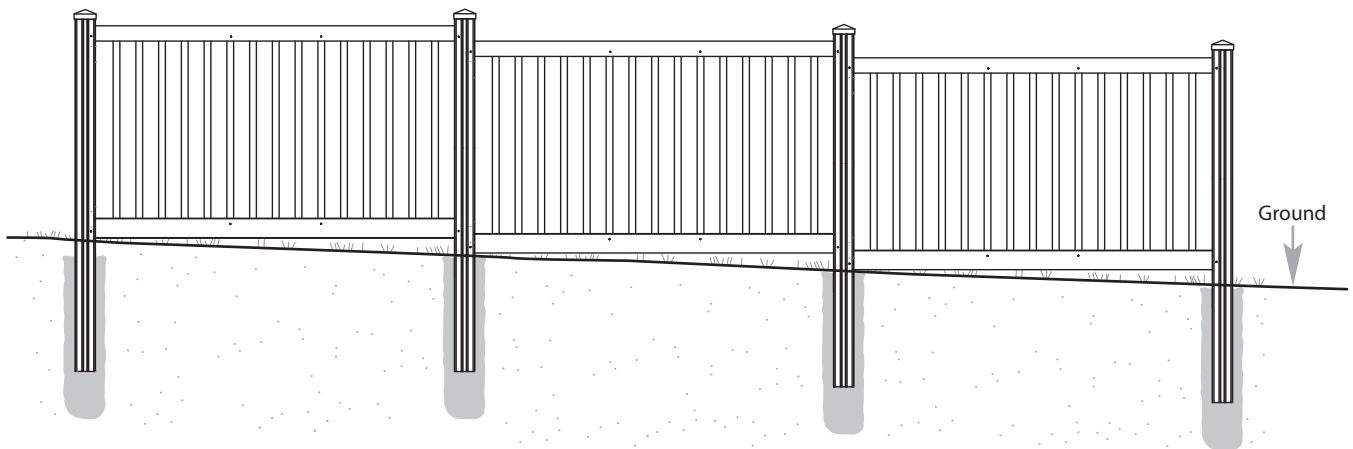
Slide the top rail into place over the vertical pickets.



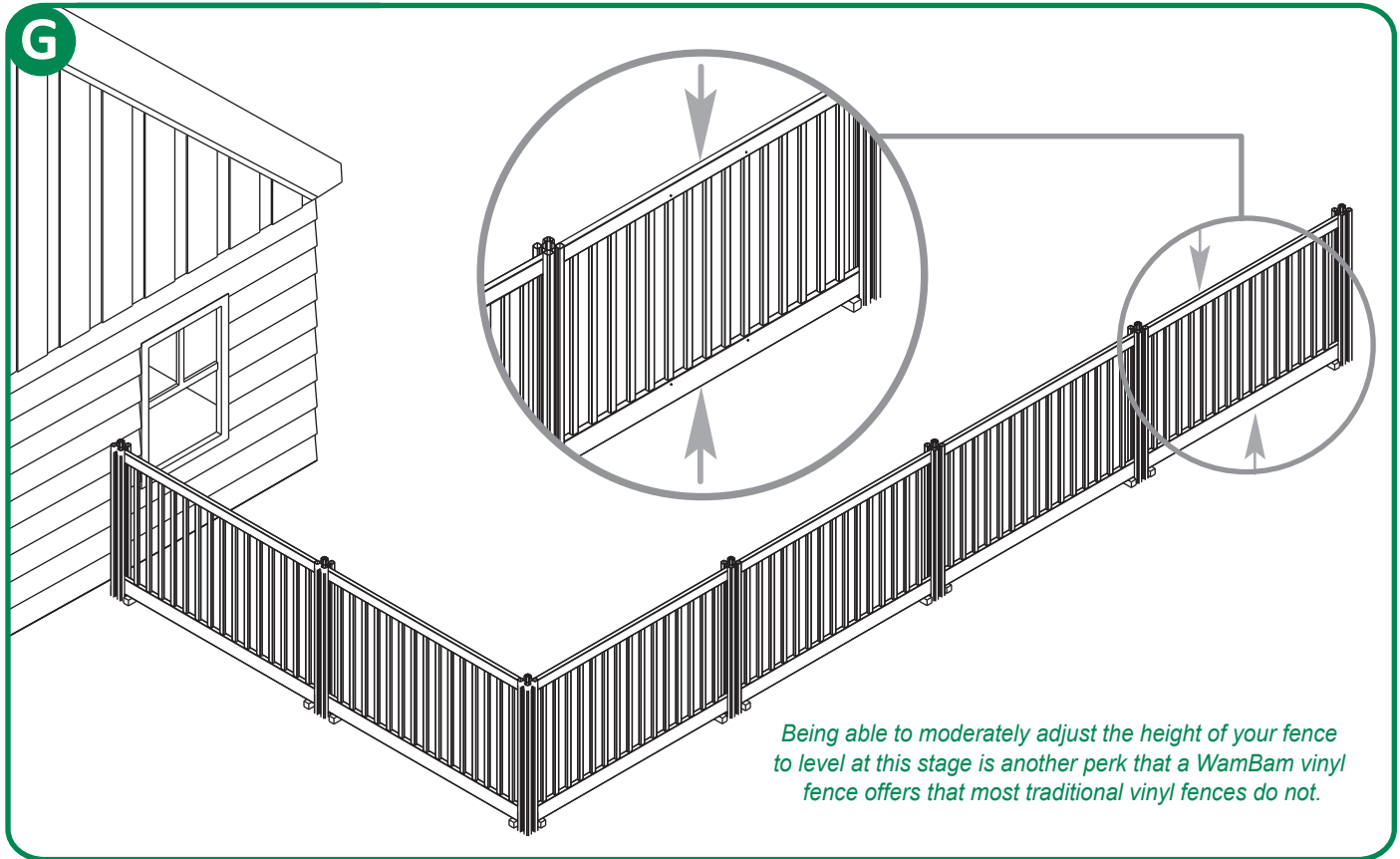
F - Slide the top rail into place over the vertical pickets and fasten four 1.25 inch screws through the top rail/pickets (2), and bottom rail/pickets (2) as indicated.

Most yards are relatively level and will allow for a fairly simple installation.

If your yard is steeply pitched or is very uneven you may need to stair step your panels as illustrated below.

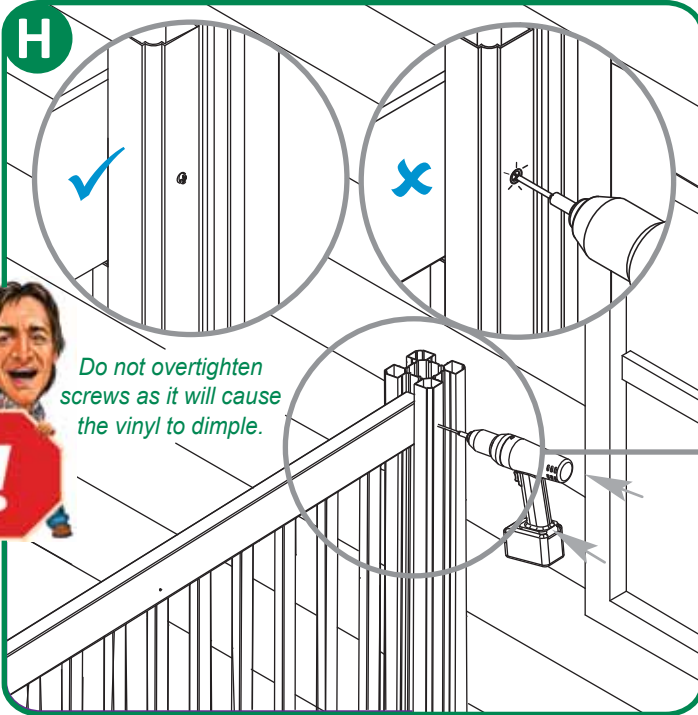


ADJUST FENCE PANELS



Adjust the height of the fence panels as necessary.

SCREW PANELS TO POSTS



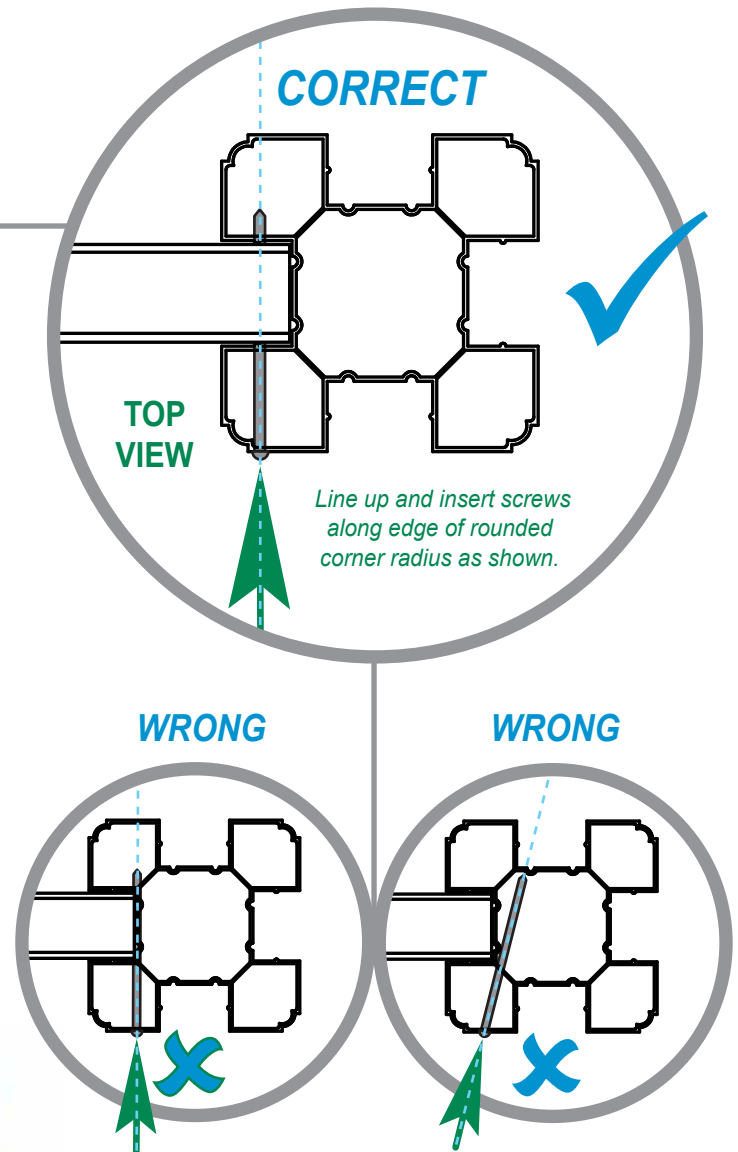
Fasten a 3.5 inch screw through the posts into the rails.



Repeat in each corner for a total of four per panel.

VERY IMPORTANT

Screws must be inserted straight and into the correct area of the post/rail as indicated.



Screw has not been lined up nor inserted into the post correctly and has missed the rail entirely.