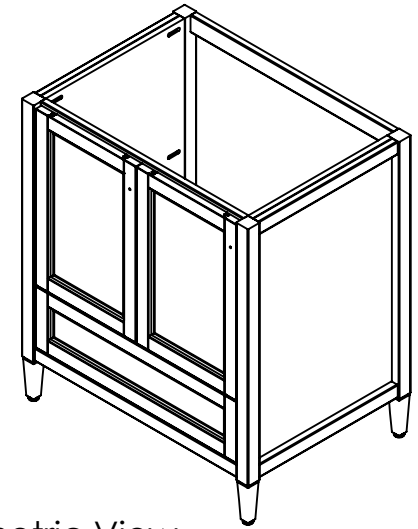
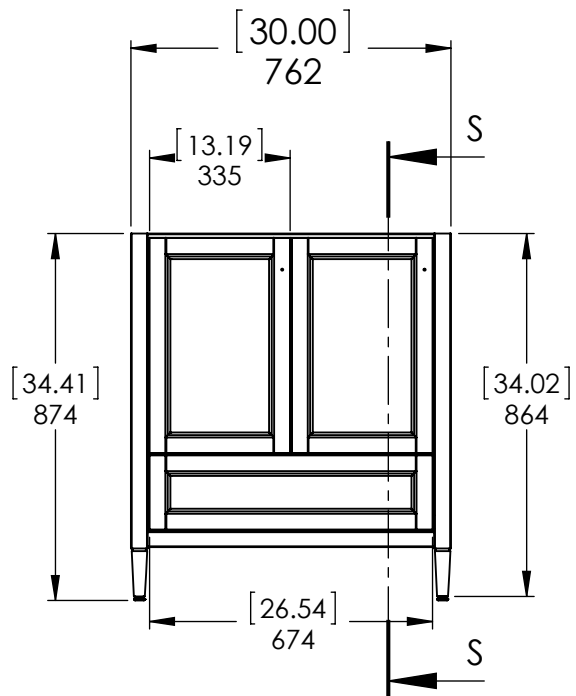


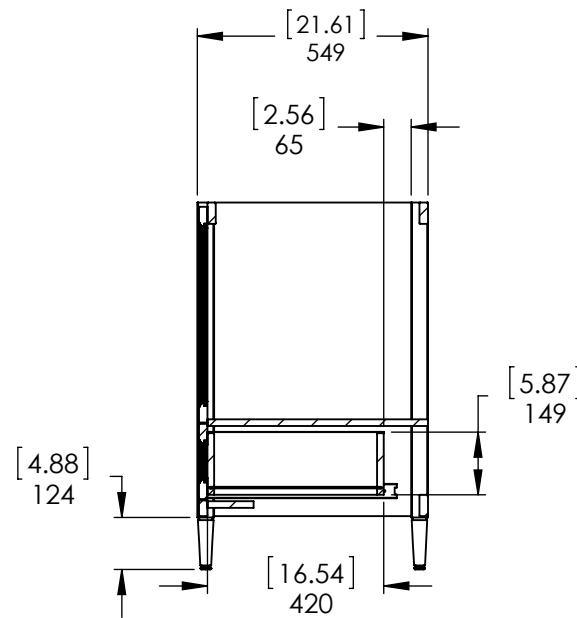
Top View



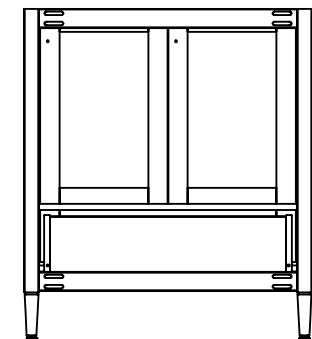
Isometric View



Front View



Section S-S  
 Scale 1 : 18



Back View

ITEM:	CB30-ST    CBB30-CR	REV	<b>A</b>
	CB30-WH    CBB30-FG		
	CBB30-CH		

NAME: **Claxby 30in Vanity**

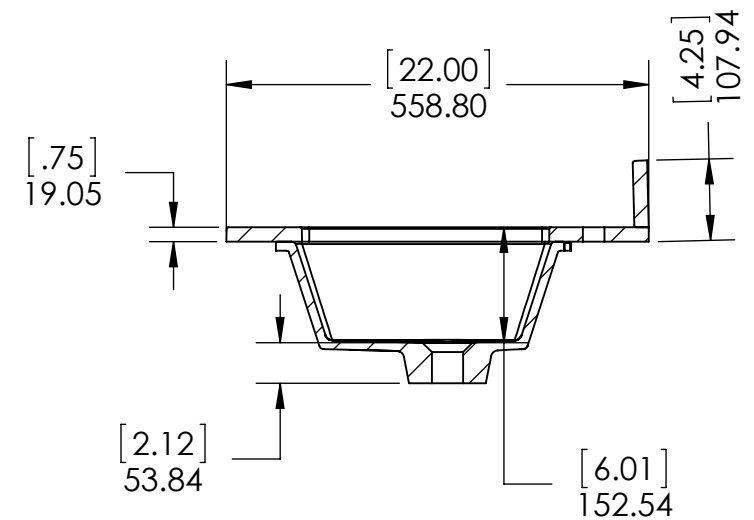
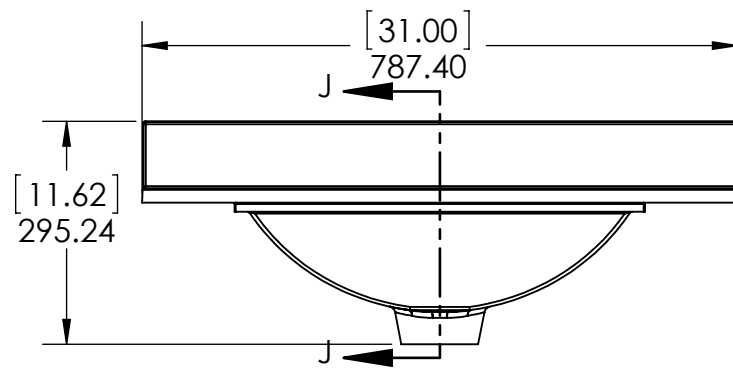
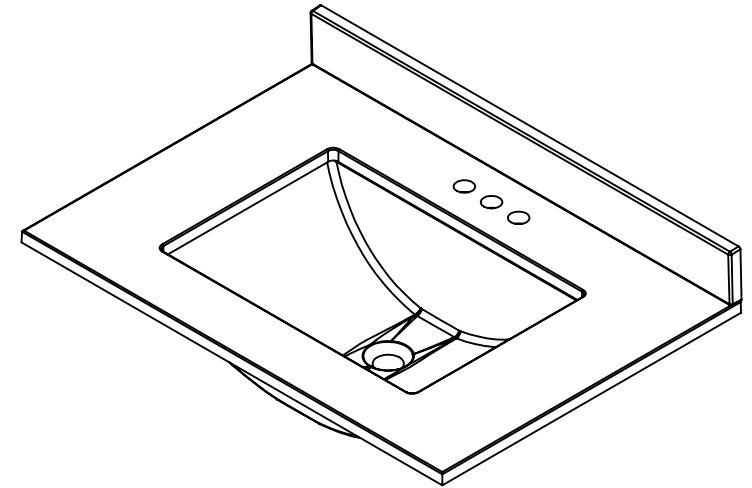
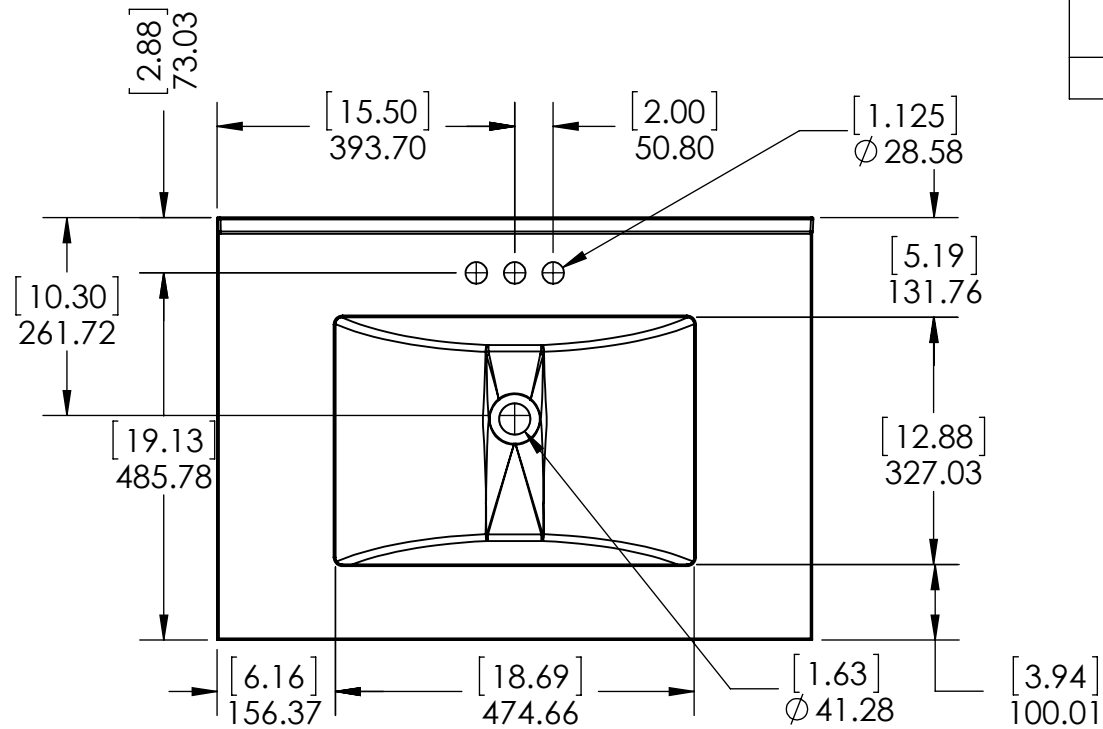


DRW:	ARB	05/21/18
REV:	ING	05/21/18
APP:	R&D	05/21/18

MATERIAL: **German Beech 4/4  
 Laminated particle board (2 Colours)**

SCALE: 1:13    MODEL: **Vanity Claxby 30in**

Rev #	Approved by	Change
0	R. Rubio	Released
1	O. Razo	New model added



**PROPRIETARY AND CONFIDENTIAL**  
 THE INFORMATION CONTAINED IN THIS DRAWING IS THE SOLE PROPERTY OF WOODCRAFTERS. ANY REPRODUCTION IN PART OR AS A WHOLE WITHOUT THE WRITTEN PERMISSION OF WOODCRAFTERS IS PROHIBITED.

UNLESS OTHERWISE SPECIFIED  
 DIMENSIONS ARE IN MM. AND (INCHES)  
 TOLERANCES ARE  
 +0.125 [3.175] -0.125 [-3.175]  
 SCALE:1:10

	NAME	DATE
DRAWN	R. Rubio	08/22/16
CHECKED	R. Rubio	08/22/16
ENG APPR.	R. Rubio	08/22/16
MFG APPR.	C. Leal	08/22/16

**Wood Crafters**  
 Vtop Stone Effect, Rect 31x22  
 SHEET 1 OF 2  
 REV: 1

ID	Description	Technology	Status
SER31-AV	31 in. Stone Effects Vanity Top in Avalon with White Basin	Stone Effect	Approved for production
SER31-CO	31 in. Stone Effects Vanity Top in Cold Fusion with White Basin	Stone Effect	Approved for production
SER31-DN	31 in. Stone Effects Vanity Top in Dune with White Basin	Stone Effect	Approved for production
SER31-MI	31 in. Stone Effects Vanity Top in Mayan Ivory with White Basin	Stone Effect	Approved for production
SER31-RU	31 in. Stone Effects Vanity Top in Rustic Gold with White Basin	Stone Effect	Approved for production
SER31-SN	31 in. Stone Effects Vanity Top in SandShell with White Basin	Stone Effect	Approved for production
SER31-WM	31 in. Stone Effects Vanity Top in Winter Mist with White Basin	Stone Effect	Approved for production
SE31R-PR	31 in. Stone Effects Vanity Top in Pulsar White Basin	Stone Effect	Approved for production

Rev #	Approved by	Change
0	R. Rubio	Released
1	O. Razo	New model added

**PROPRIETARY AND CONFIDENTIAL**  
 THE INFORMATION CONTAINED IN THIS DRAWING IS THE SOLE PROPERTY OF WOODCRAFTERS. ANY REPRODUCTION IN PART OR AS A WHOLE WITHOUT THE WRITTEN PERMISSION OF WOODCRAFTERS IS PROHIBITED.

UNLESS OTHERWISE SPECIFIED  
 DIMENSIONS ARE IN MM. AND [INCHES]  
 TOLERANCES ARE  
 + 0.125 [3.175] - 0.125 [-3.175]  
 SCALE:1:10

	NAME	DATE
DRAWN	R. Rubio	08/22/16
CHECKED	R. Rubio	08/22/16
ENG APPR.	R. Rubio	08/22/16
MFG APPR.	C. Leal	08/22/16

		SIZE	DWG. NO.	SHEET 2 OF 2
		A	Vtop Stone Effect, Rect 31x22	REV: 1