

SINCE 1839

BRINLY

SINCE 1839

BRINLY

OWNER'S MANUAL

LAWN ROLLER

ROLLER MODEL:

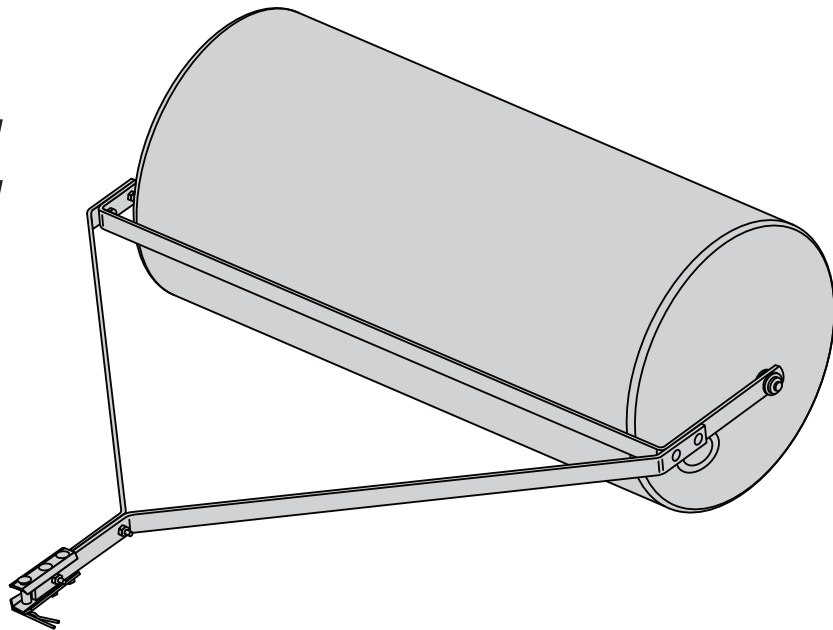
PRC-241 BH

PRT-361 BH

PRT-361S BH

PRT-481S BH

- Safety
- Assembly
- Operation
- Repair Parts
- Maintenance



For use with Riders, Lawn
or Garden Tractors and ATV's

**PRC-241 BH Push version not shown.*

Visit us on the web!
www.brinly.com

Important: This manual contains information for the safety of persons and property. Read it carefully before assembly and operation of the equipment!

INTRODUCTION AND SAFETY

CONGRATULATIONS on your new Brinly-Hardy Lawn Roller! This accessory has been designed, engineered and manufactured to give you the best possible dependability and performance.

Should you experience any problem you cannot easily remedy, please do not hesitate to contact our knowledgeable customer service department toll-free at 1-877-728-8224. We have competent, well trained technicians to help you with the assembly and use of your Roller.



CUSTOMER RESPONSIBILITIES

- Please read & retain this manual. The instructions will enable to assemble and maintain your product properly.
- Please carefully read and observe the SAFETY SECTION of this manual.
- Follow a regular schedule in maintaining and caring for your Brinly-Hardy product.

TABLE OF CONTENTS

SAFETY	2
PART LIST AND HARDWARE IDENTIFIER	3 - 4
ASSEMBLY	5 - 8
OPERATION	9
MAINTENANCE	9
LIMITED WARRANTY.....	10



Tools Required for Assembly:

- (x2) 1/2" Wrench
- (x2) 3/4" Wrench (*PRC-241 BH Only*)
- Slip Joint Pliers

SAFETY

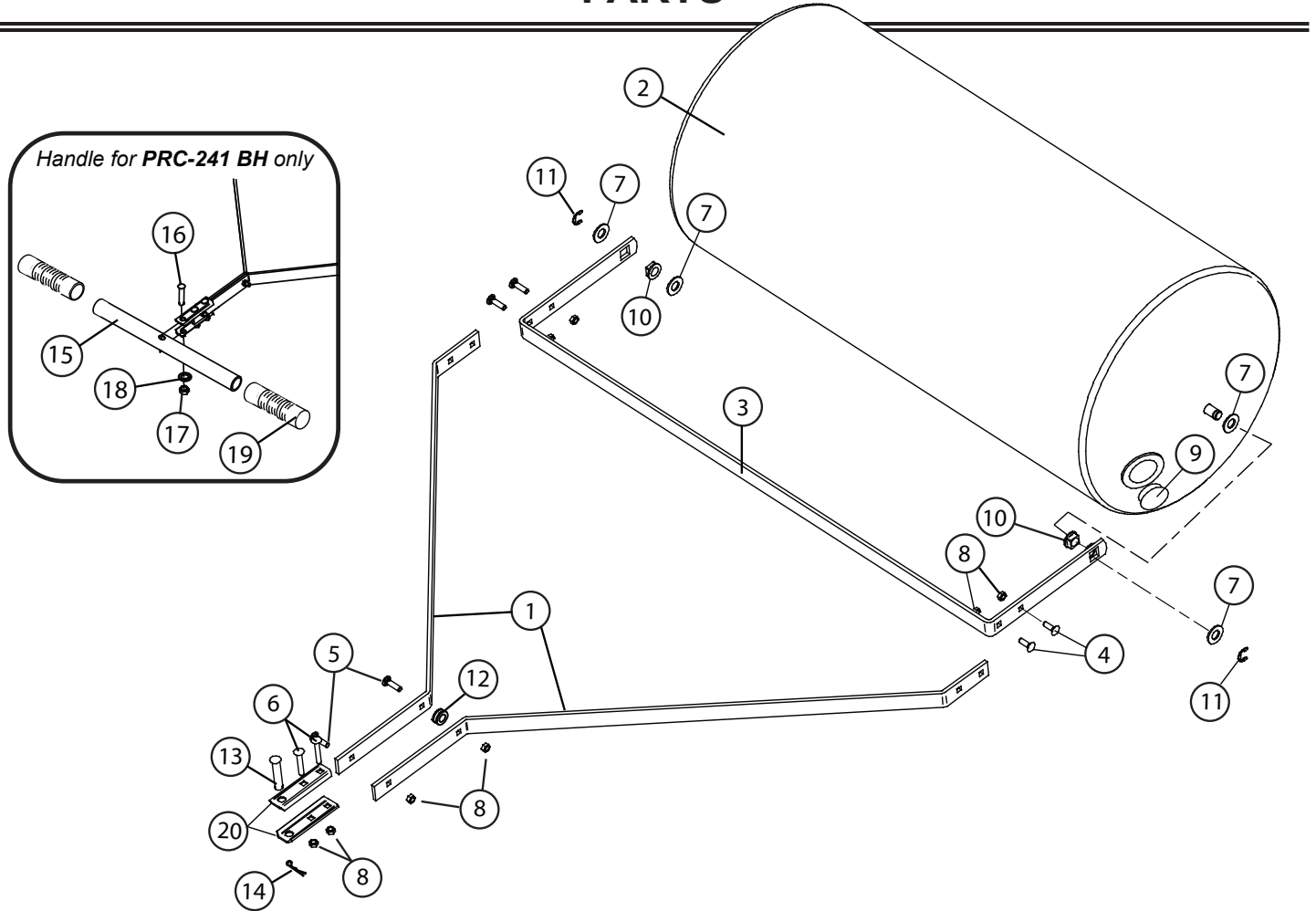
RULES FOR SAFE OPERATION

- Know controls and how to stop safely, READ THE OWNER'S MANUAL before operating.
- Do not allow children to operate the vehicle, do not allow adults to operate without proper instruction or without having read the owner's manual.
- Do not carry passengers. Keep children and pets a safe distance away.
- Always wear substantial footwear. Do not wear loose fitting clothing. Do not wear loose fitting clothing that can get caught in moving parts.
- Keep your eyes and mind on your tractor / attachment and area being covered. Do not let other interests distract you.
- Stay alert for holes in the terrain and other hidden hazards.
- Do not drive close to creeks, ditches and public highways.
- Watch out for traffic when crossing or near roadways.
- When using any attachment, don't allow anyone near the vehicle while in operation.
- Keep the vehicle and attachment in good operating condition and keep safety devices in place.
- Keep all nuts, bolts and screws tight to be sure the equipment is in safe working condition.
- The vehicle and attachment should be stopped and inspected for damage after striking a foreign object. The damage should be repaired before restarting and operating the equipment.
- See tractor equipment owner's manual for safe operation of the equipment.



This symbol will help to point out important safety precautions throughout this manual. It means - **ATTENTION! BECOME ALERT!** Your safety is involved.

PARTS



Ref. #	Description	Qty.	PRC-241 BH	PRT-361 BH	PRT-361S BH	PRT-481S BH
1	Frame Extension Bar	2	B-3554-10	B-6289-10	B-5357-10	B-6290-10
2	Roller Drum Assembly	1	B-5121	B-6271	B-5353-B	B-5789-B
3	Scraper Bar	1	B-6291-10	B-6272-10	B-6292-10	B-6294-10
4	5/16" x 1", Carriage Bolt	4	11M1016P	11M1016P	11M1016P	11M1016P
5	5/16" x 1-1/2", Carriage Bolt	2	11M1024P	11M1024P	11M1024P	11M1024P
6	5/16" x 2-1/4", Carriage Bolt	2	11M1036P	11M1036P	11M1036P	11M1036P
7	5/8" Flat Washer	4	45M2121P	45M2121P	45M2121P	45M2121P
8	5/16" Nylon Lock Nut	8	B-4786	B-4786	B-4786	B-4786
9	Plug	1	B5121-PL	B5121-PL	B5121-PL	B5121-PL
10	Square Bearing	2	B-6270	B-6270	B-6270	B-6270
11	5/8" E-Ring	2	F-577	F-577	F-577	F-577
12	Frame Spacer	1	R-1141	R-1141	R-1141	R-1141
13	Hitch Pin	1	B-3861	B-3861	B-3861	B-3861
14	Hitch Pin Cotter	1	D-146P	D-146P	D-146P	D-146P
15	Handle	1	B-3556-10			
16	Hex Bolt 1/2" x 2-1/4"	1	1M1636P			
17	Hex Nut 1/2"	1	30M1600P			
18	Lock Washer 1/2"	1	40M1600P			
19	Grip	2	B-2579			
20	Clevis	2	R-892-10			

Installation Questions?
 Missing Parts? Replacement Parts?
DON'T GO BACK TO THE STORE!
 Please call our Customer Service
 Department, Toll Free: 877-728-8224
 or customerservice@brinly.com



HARDWARE IDENTIFIER



Illustrations on this page are to scale for faster identification of hardware during assembly.

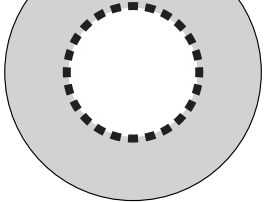
DO NOT RETURN PRODUCT IF YOU ARE MISSING PARTS.

Please Call: 1 (800) 972-6130

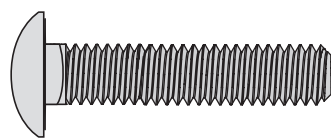
④ Carriage Bolt
5/16 x 1"
(x4)
11M1016P



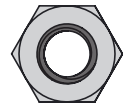
⑦ Washer: Flat
5/8" (x4)
45M2121P



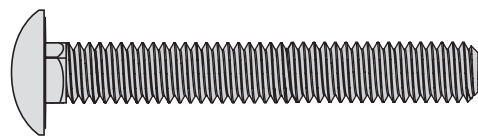
⑤ Carriage Bolt
5/16 x 1 1/2"
(x2)
11M1024P



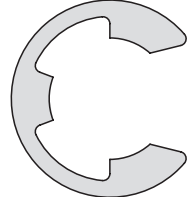
⑧ Nut: Nylon Lock
5/16" (x8)
B-4786




⑥ Carriage Bolt
5/16 x 2 1/4"
(x2)
11M1036P



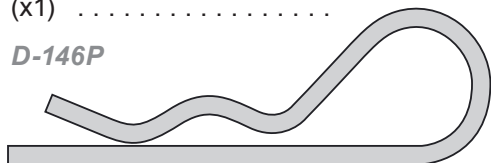
⑪ E-Ring, 5/8"
(x2)
F-577



⑬ Hitch Pin (x1)
.....
B-3861



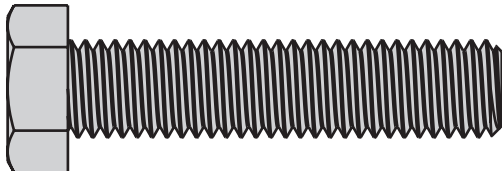
⑭ Hitch Pin Cotter
(x1)
D-146P



PARTS IN ADDITIONAL HARDWARE BAG

(Only for PRC-241 BH)

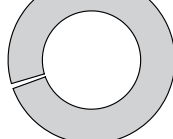
⑯ Bolt: Hex Head
1/2 x 2-1/4"
(x1)
1M1636P



⑰ Nut: Hex
1/2" (x1)
30M1600P




⑱ Lock Washer 1/2"
(x1)
40M1600P



ASSEMBLY

Assembly Step 1

Attaching the Scraper Bar

 Hardware Panel A

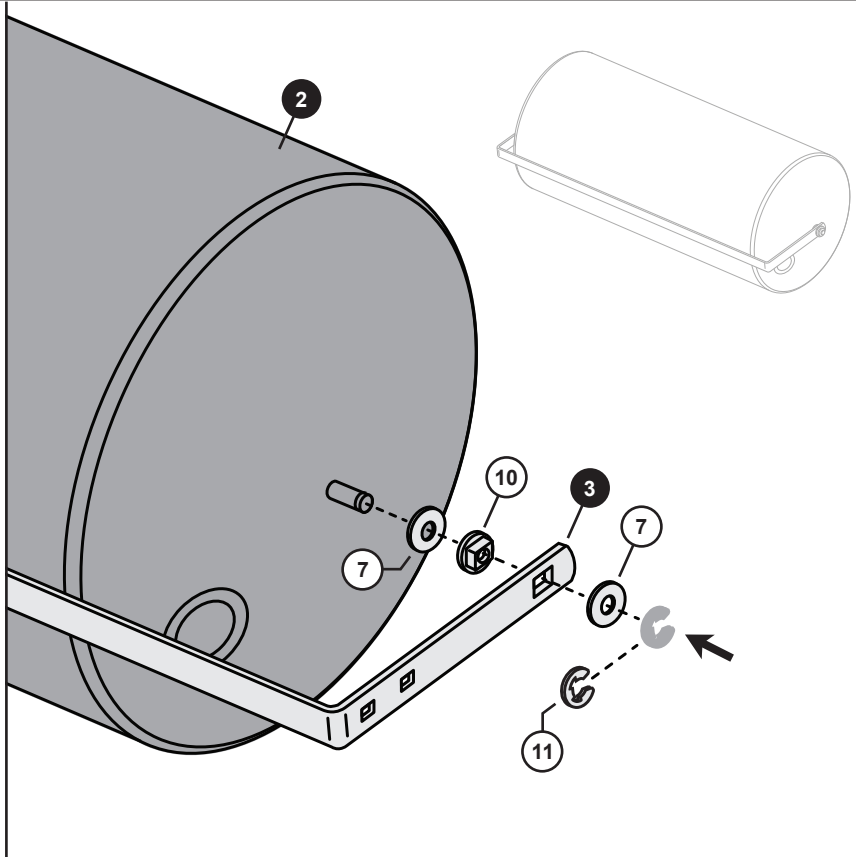
Add a 5/8" flat washer (7) to the Roller Drum (2) as illustrated.

Slide a square bearing (10) into the large square hole at the end of the Scraper Bar (3) and add to the Roller Drum.


Add another 5/8" flat washer (7).

Secure everything in place by sliding a 5/8" E-ring (11) into the slot at the end of the roller drum (2).

Repeat this step on the other end of the drum.



Assembly Step 2

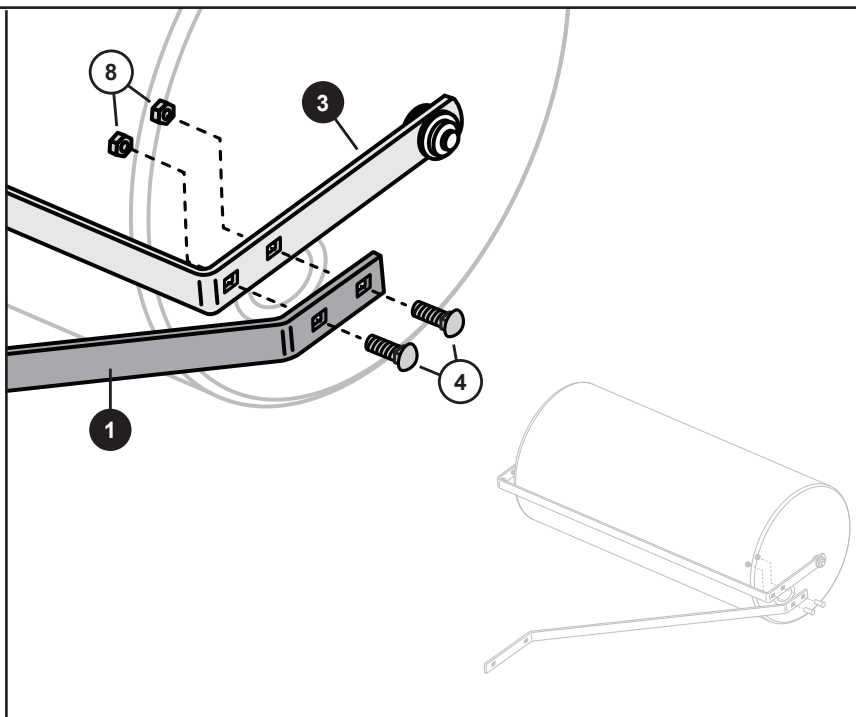
 Hardware Panel B

Align the Frame Extension Bar (1) as illustrated.

From the outside, run two 5/16 x 1" Carriage Bolts (4) through the Extension Bar (1) and Scraper Bar (3) as illustrated.

Secure everything in place with two 5/16" Nylon Lock Nuts (8).

Repeat this step on the other end of the drum.



ASSEMBLY

NOTE: Do not tighten the lock nuts added on this step completely (*until Assembly Step 4-A is complete*).

Assembly Step 3

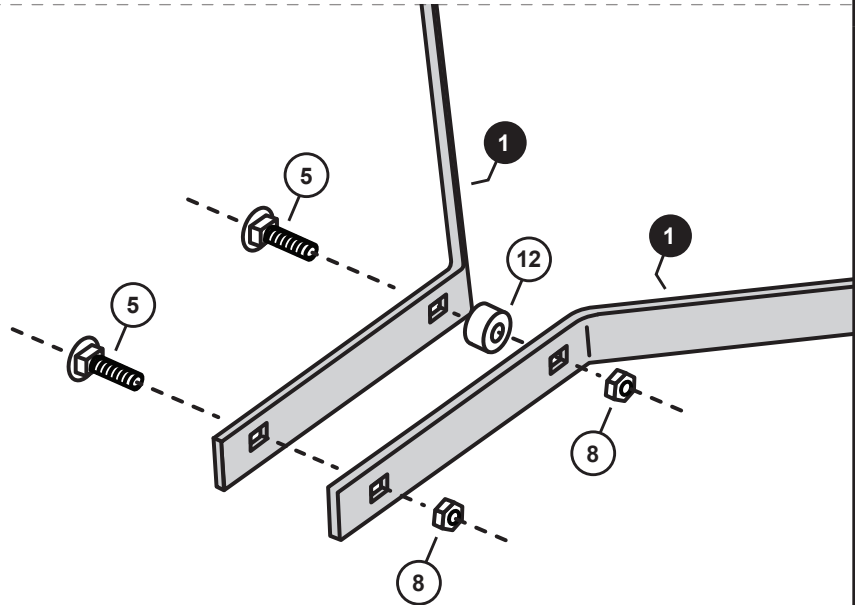
Connecting the Frame Extension Bars

Hardware Panel C

Center the Spacer (12) between the second hole of the Extension Bars (1) and run a 5/16" Carriage Bolt (5) through.

Loosely add a 5/16" Lock Nut (8).

Add the second 5/16" Carriage bolt to the Extension Bars (1) and secure with the additional 5/16" Lock Nut (8).



Assembly Step 4

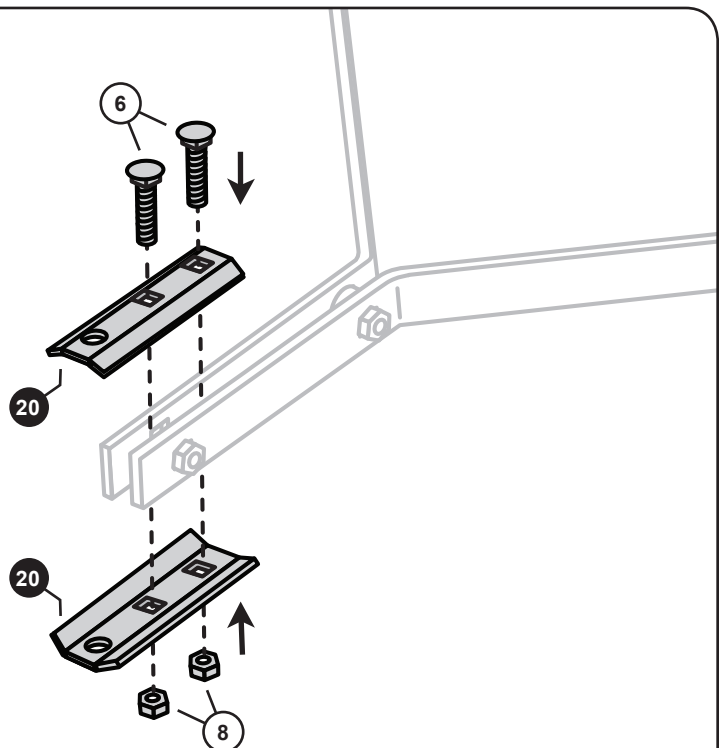
Attaching the Clevis

Hardware Panel D

Align the Clevis plates (20) as illustrated.

NOTE: The two bolts that will be added on this step need to straddle the spacer added on step 3.

Run two 5/16 x 2-1/4" Carriage Bolts (6) through the Clevis Plates (20). Secure in place with two 5/16" Nylon Lock Nuts (8).




ASSEMBLY

If you are assembling PRC-241 BH:
Skip Step 5 and continue to Assembly Step 6



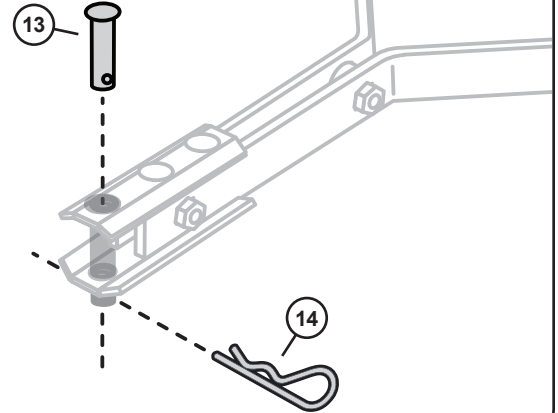
PRT-361 BH, PRT-361S BH & PRT-481S BH: Attaching the Clevis

Assembly Step 5

 Hardware Panel D

Add the hitch pin (13) through remaining openings of the Clevis (20) and secure with a Hitch Pin Cotter (14).


Skip Step 6 and continue to Assembly Step 7.



PRC-241 BH: Attaching the Handle

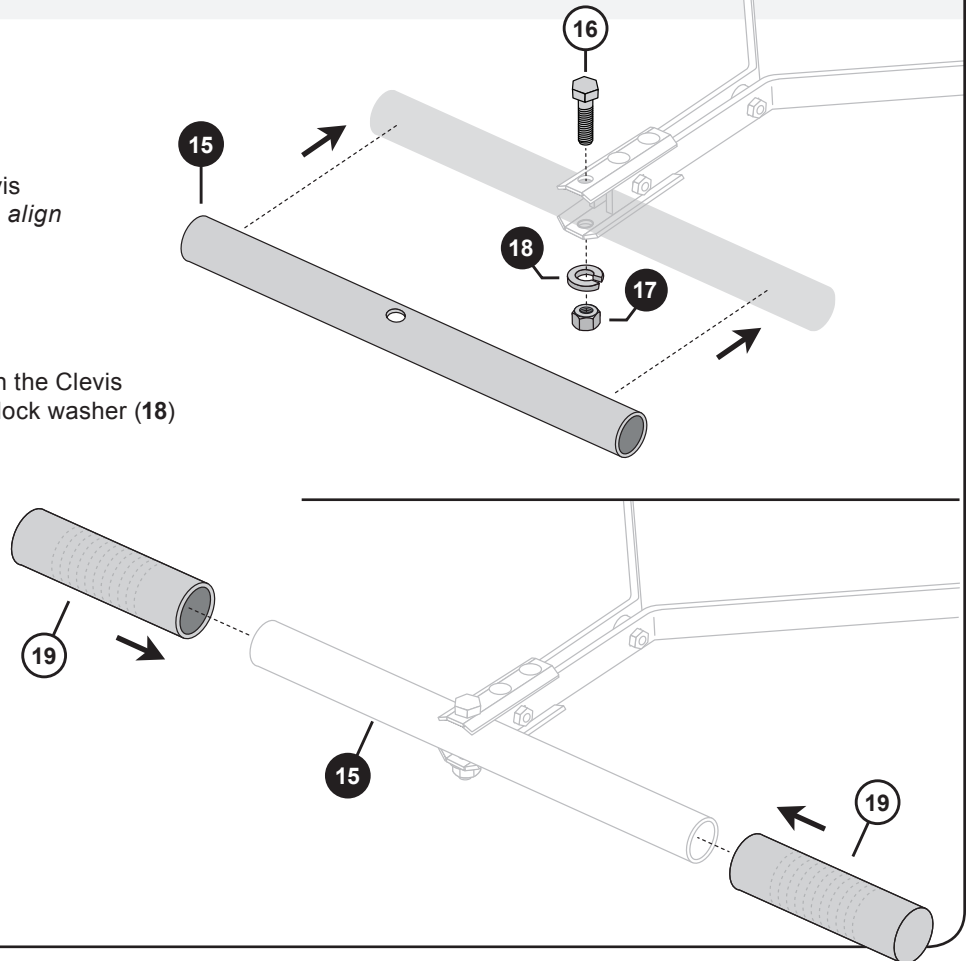
Assembly Step 6

Slide the Handle (15) between the Clevis plates as illustrated. *NOTE: Be sure to align the openings of the clevis and handle.*

 Hardware Bag

Run a 1/2 x 2-1/4" Hex Bolt (16) through the Clevis plates and handle. Secure with a 1/2" lock washer (18) and a 1/2" lock nut (17).

Slide the grips (19) over the ends of the handle (15).



ASSEMBLY

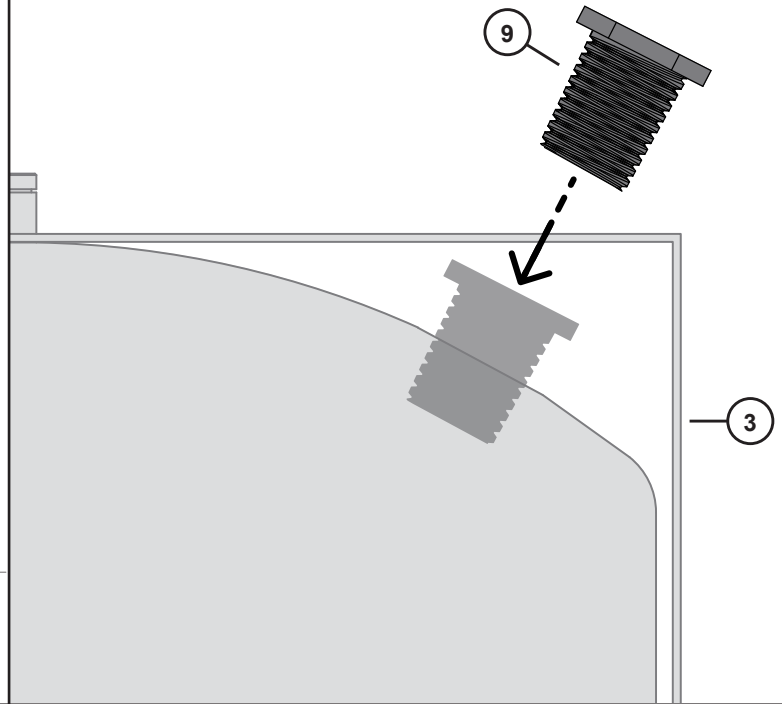
Assembly Step 7

Adding the Roller Plug

When installing the plug (9) please note it is NOT designed to tighten all the way down. *A portion of the plug will extend from the roller, however, it will not interfere with the scraper bar (3).*

Hand tighten as far as possible, then use a wrench to tighten another quarter turn.

NOTE: The plug will be easier to rotate over time.



ONLINE: www.brinly.com

Additional info and videos are available on our website OR scan one of the following QR codes:



OPERATION AND MAINTENANCE

OPERATION



CAUTION! Do not overload your Tractor / Rider. Roller fully loaded with water weighs:

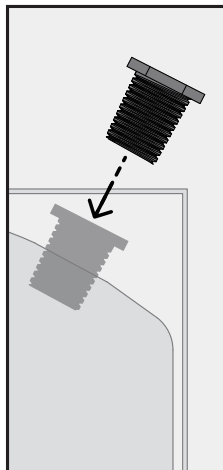
PRC-241 BH	= 270 lbs
PRT-361 BH	= 690 lbs
PRT-361S BH	= 390 lbs
PRT-481S BH	= 485 lbs

- Refer to tractor manual to determine proper towing capacity of your Tractor / Rider.

- Fill the roller with amount of water recommended for your tractor / rider. Screw in the plug (plug has pipe threads and may not screw all the way in) and tighten securely.

- The plug is a tapered pipe thread joint, allowing the threads to act as a sealant and prevent the drum contents from leaking out.

NOTE: By design, a tapered pipe thread will require more torque as it secures, because the plug threads and the mating hole threads are locking tighter and tighter together. With this type of joint, a gasket, pipe dope, or plumbers tape is not required.



- For longest life, drain the roller, leave the plug out, and if possible, hang the roller when not in use to prevent possibility of developing a flat spot.
- If a flat spot develops on the roller during storage, ensure roller is empty then leave out in the sun to warm and roll around to reduce flat area.
- *Please note that sand may be used in place of water with no risk of freezing.*
- Ground condition is vital to good leveling. Soil should be moist, but not muddy.
- Refer to your Tractor or Riding Mower Owner's manual for proper towing capacity and safe operation of your towing equipment. Towing / Stopping distances will be greatly affected by added weight of roller.

MAINTENANCE



- The key to years of trouble-free service is to keep your Lawn Roller clean and dry.
- Occasionally check all moving parts for free movement and, if necessary, lubricate with oil.
- Should rust develop, sand lightly and then paint area with enamel.
- Periodically check all fasteners for tightness.



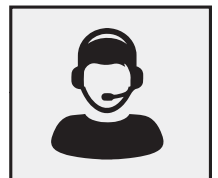
TRACTOR / RIDING MOWER SPEED

Rollers yield the best results when ground conditions are correct, and equipment is operating at **less than 3 mph**.

CALIBRATING YOUR TRACTOR TO 3 MPH:

Measure a distance of 20 feet on a flat, level surface. Adjust tractor throttle and select a gear to cover this distance in 4.5 seconds.

SERVICE



QUALITY CONTINUES WITH QUALITY SERVICE

If you have installation questions, are missing parts or need replacement parts, don't go back to the store!

Please find your product serial number and model number, then contact our Customer Service department:



In North America and Canada call
Toll-Free: **877-728-8224**



Chat online: **www.brinly.com**



Email: **customerservice@brinly.com**



MANUFACTURER'S LIMITED WARRANTY FOR BRINLY PULL-BEHIND ACCESSORIES

The limited warranty set forth below is given by Brinly-Hardy Company with respect to new merchandise purchased and used in the United States, its possessions and territories.

Brinly-Hardy Company warrants the products listed below against defects in material and workmanship, and will at its option, repair or replace, free of charge, any part found to be defective in materials or workmanship. This limited warranty shall only apply if this product has been assembled, operated, and maintained in accordance with the Operator's manual furnished with the product, and has not been subject to misuse, abuse, commercial use, neglect, accident, improper maintenance, alteration, vandalism, theft, fire, water, or damage because of other peril or natural disaster.

Normal Wear Parts or components thereof are subject to separate terms as follows: All normal wear parts or component failures will be covered on the product for a period of 90 days.

Parts found to be defective within the warranty period will be replaced at our expense. Our obligation under this warranty is expressly limited to the replacement or repair, at our option, of parts found to be defective in material and workmanship.

HOW TO OBTAIN SERVICE: Warranty parts replacements are available, ONLY WITH PROOF OF PURCHASE, through our Customer Service Department. Call 877-728-8224.

This limited warranty does not provide coverage in the following cases:

- a) Routine maintenance items such as lubricants and filters.
- b) Normal deterioration of the exterior finish due to use or exposure.
- c) Transportation and/or labor charges.
- d) The warranty does not include commercial and/or rental use.

No implied warranty, including any implied warranty of merchantability of fitness for a particular purpose, applies after the applicable period of express written warranty above as to the part as identified below. No other express warranty whether written or oral, except as mentioned above, given by any person or entity, including a dealer or retailer, with respect to any product, shall bind Brinly-Hardy Co. During the period of the warranty, the exclusive remedy is repair or replacement of the product as set forth above.

The provisions as set forth in this warranty provide the sole and exclusive remedy arising from the sale. Brinly-Hardy Co. shall not be liable for incidental or consequential loss or damage including, without limitation, expenses incurred for substitute or replacement lawn care services or for rental expenses to temporarily replace a warranted product.

Some states do not allow the exclusion or limitation of incidental or consequential damages, or limitations on how long an implied warranty lasts, so the above exclusions or limitations may not apply to you.

During the warranty period, the exclusive remedy is replacement of the part. In no event shall recovery of any kind be greater than the amount of the purchase price of the product sold. Alteration of safety features of the product shall void this warranty. You assume the risk and liability for loss, damage, or injury to you and your property and/or to others and their property arising out of the misuse or inability to use this product.

This limited warranty shall not extend to anyone other than the original purchaser or to the person for whom it was purchased as a gift.

HOW STATE LAW RELATES TO THIS WARRANTY:

This limited warranty gives you specific legal rights, and you may also have other rights which vary from state to state.

IMPORTANT:

The Warranty period stated below begins with the PROOF OF PURCHASE. Without the proof of purchase, the Warranty period begins from the date of manufacture determined by the serial number manufacturing date.

WARRANTY PERIOD:

The warranty period is as follows: 2 Years

*LA TRADUCTION EN FRANÇAIS DE CE MANUEL
COMMENCE À LA PAGE SUIVANTE.*

Manuel en Français



*LA TRADUCCIÓN AL ESPAÑOL DE ESTE
MANUAL COMIENZA DESPUÉS DE QUE TERMINE
LA SIGUIENTE SECCIÓN (FRANCESA).*

ES EL ÚLTIMO TERCERO DE ESTE FOLLETO

Manual de Español



SINCE 1839

BRINLY

SINCE 1839

BRINLY

MANUEL DU PROPRIÉTAIRE

ROULEAU À GAZON

MODÈLE DU ROULEAU :

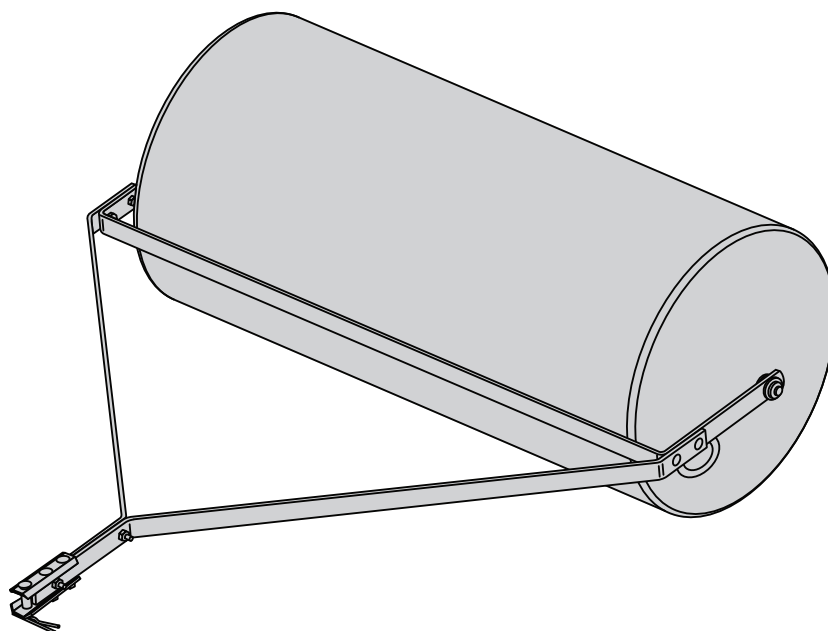
PRC-241 BH

PRT-361 BH

PRT-361S BH

PRT-481S BH

- Sécurité
- Assemblage
- Fonctionnement
- Pièces de rechange
- Entretien



À utiliser avec les tracteurs de pelouse ou de jardin, les tondeuses autoportées et les VTT

* La version à pousser du PRC-241 BH n'est pas illustrée.

Visitez en ligne!
www.brinly.com

Important: Ce manuel contient des informations sur la sécurité des personnes et des biens. Lisez-le attentivement avant de monter et d'utiliser l'équipement!

INTRODUCTION ET SÉCURITÉ

Félicitations pour votre nouveau rouleau à pelouse Brinly-Hardy! Cet accessoire a été conçu et fabriqué pour vous offrir la meilleure fiabilité et performance possible.

Si vous rencontrez un problème auquel vous ne pouvez pas facilement remédier, n'hésitez pas à communiquer avec notre service à la clientèle bien informée en appelant sans frais au 1 877 728-8224. Nos techniciens compétents et bien formés sont prêts à vous aider avec le montage et l'utilisation de votre rouleau.



RESPONSABILITÉS DU CLIENT

- Veuillez lire et conserver ce manuel. *Les instructions vous permettront d'assembler et d'entretenir votre produit correctement.*
- Veuillez lire attentivement et respecter la section SÉCURITÉ de ce manuel.
- Suivez un programme d'entretien régulier et prenez soin de votre produit Brinly-Hardy.

TABLE DES MATIÈRES

SÉCURITÉ	2
LISTE DES PIÈCES ET IDENTIFICATION DU MATÉRIEL	3 - 4
MONTAGE	5 - 8
FONCTIONNEMENT	9
ENTRETIEN	9
GARANTIE LIMITÉE	10



Outils requis pour l'assemblage:

- (x2) 1/2" Clé
- (x2) 3/4" Clé (*PRC-241 BH seulement*)
- Pince à Joint Antidérapant

SÉCURITÉ

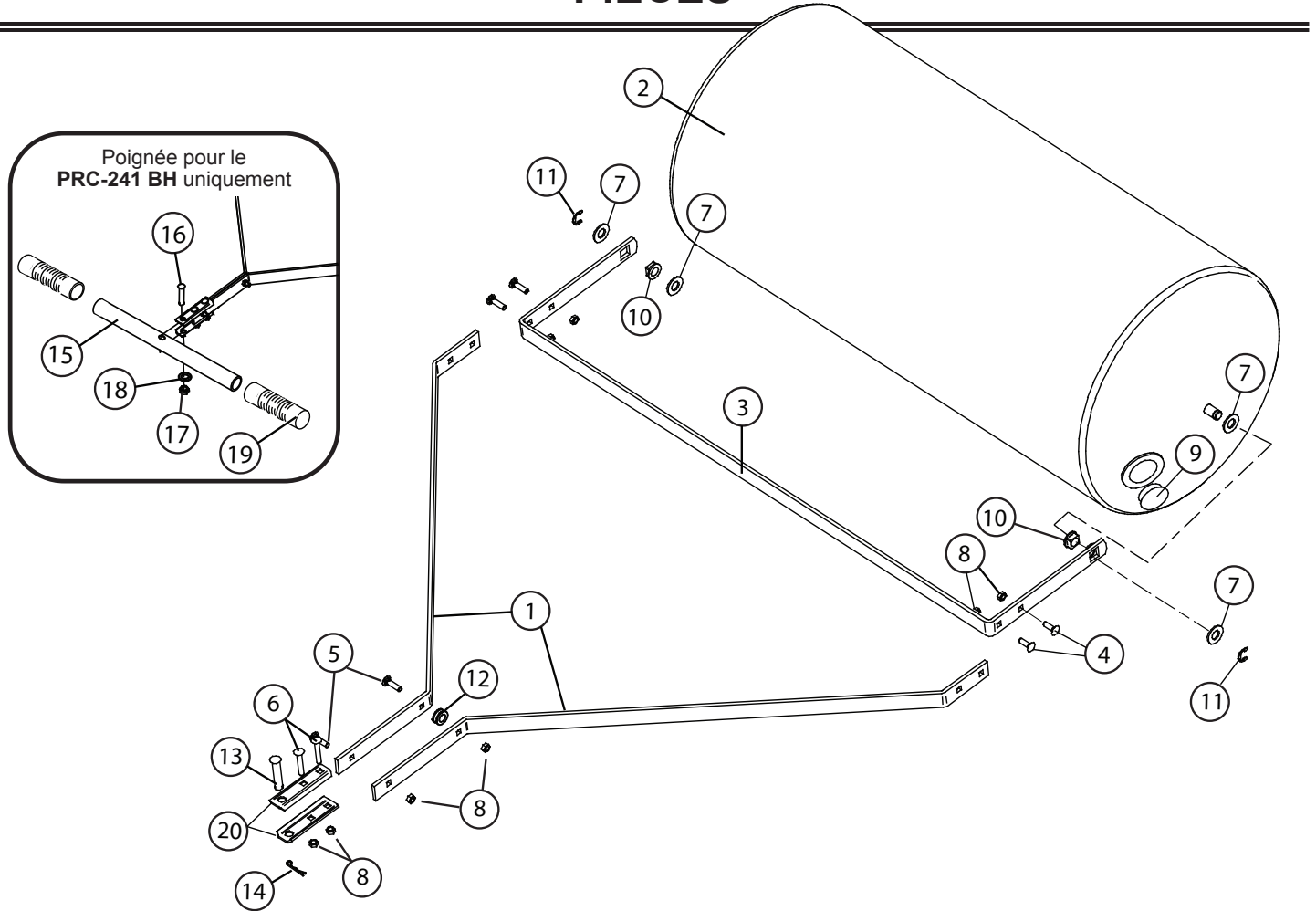
CONSIGNES DE SÉCURITÉ

- Assimilez bien les fonctions des commandes et assurez-vous de comprendre comment arrêter de manière sécuritaire. LISEZ LE MANUEL DE L'UTILISATEUR avant de faire fonctionner le produit.
- Ne laissez pas les enfants utiliser le véhicule, et ne laissez pas les adultes utiliser le produit sans avoir été formés sur son utilisation ou sans avoir lu le manuel du propriétaire.
- Ne transportez pas de passagers. Gardez les enfants et les animaux domestiques à une distance sûre.
- Portez toujours des chaussures solides. Ne portez pas de vêtements amples. Ne portez pas de vêtements amples qui pourraient se prendre dans les pièces mobiles.
- Gardez vos yeux et votre esprit sur votre tracteur/accessoire et sur la zone à couvrir. Ne laissez rien vous distraire.
- Restez attentif aux trous dans le terrain et aux autres dangers cachés.
- Ne conduisez pas près de ruisseaux, de fossés ou de routes publiques.
- Surveillez la circulation lorsque vous traversez ou que vous êtes proche d'une route.
- Lorsque vous utilisez un accessoire, ne permettez à personne de se tenir à proximité du véhicule lorsque ce dernier est en cours d'utilisation.
- Maintenez le véhicule et ses accessoires en bon état fonctionnement et gardez les dispositifs de sécurité en place.
- Gardez tous les écrous, boulons et vis bien serrés pour vous assurer que l'équipement est en bon état de fonctionnement.
- Le véhicule et ses accessoires doivent être arrêtés et inspectés pour détecter les dommages, s'il y en a, après avoir heurté un objet étranger. Les dommages doivent être réparés avant de redémarrer et d'utiliser l'équipement.
- Voir le manuel du propriétaire de l'équipement pour tracteurs afin de connaître la façon sécuritaire de l'utiliser.



Ce symbole aidera à souligner les précautions de sécurité importantes à prendre tout au long de ce manuel. Il signifie : **ATTENTION! SOYEZ ALERTE!**
Votre sécurité est en jeu.

PIÈCES



Ref.	La Description	Qté.	PRC-241 BH	PRT-361 BH	PRT-361S BH	PRT-481S BH
1	Barre d'extension du cadre	2	B-3554-10	B-6289-10	B-5357-10	B-6290-10
2	Assemblage du rouleau	1	B-5121	B-6271	B-5353-B	B-5789-B
3	Racleur à barre	1	B-6291-10	B-6272-10	B-6292-10	B-6294-10
4	Boulon de carrosserie de 5/16 po x 1 po	4	11M1016P	11M1016P	11M1016P	11M1016P
5	Boulon de carrosserie de 5/16 po x 1-1/2 po	2	11M1024P	11M1024P	11M1024P	11M1024P
6	Boulon de carrosserie de 5/16 po x 2-1/4 po	2	11M1036P	11M1036P	11M1036P	11M1036P
7	Rondelle plate 5/8 po	4	45M2121P	45M2121P	45M2121P	45M2121P
8	Écrou de blocage en nylon de 5/16 po	8	B-4786	B-4786	B-4786	B-4786
9	Bouchon	1	B5121-PL	B5121-PL	B5121-PL	B5121-PL
10	Coussinet carré	2	B-6270	B-6270	B-6270	B-6270
11	Anneau de retenue de type E de 5/8 po	2	F-577	F-577	F-577	F-577
12	Espaceur de cadre	1	R-1141	R-1141	R-1141	R-1141
13	Goupille d'attelage	1	B-3861	B-3861	B-3861	B-3861
14	Agrafe de la goupille d'attelage	1	D-146P	D-146P	D-146P	D-146P
15	Poignée	1	B-3556-10			
16	Boulon hexagonal de 1/2 po x 2-1/4 po	1	1M1636P			
17	Écrou hexagonal de 1/2 po	1	30M1600P			
18	Rondelle de blocage de 1/2 po	1	40M1600P			
19	Prise	2	B-2579			
20	Chape	2	R-892-10			

Des questions sur l'installation?
 Il vous manque des pièces? Vous
 avez besoin de pièces de rechange?
NE RETOURNEZ PAS AU MAGASIN!
 Appelez sans frais notre département
 de service au client : 877 728-8224 ou
customerservice@brinly.com



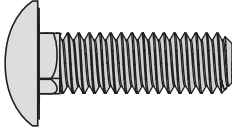
IDENTIFICATION DU MATÉRIEL



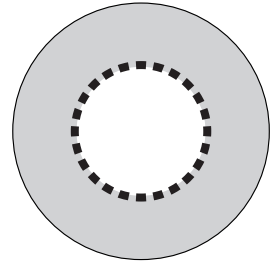
Les illustrations qui se trouvent sur cette page sont à l'échelle afin que vous puissiez identifier le matériel plus rapidement pendant l'assemblage.

NE RETOURNEZ PAS LE PRODUIT SI VOUS MANQUEZ DES PIÈCES. Appelez au : 1 800 972-6130

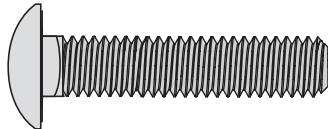
④ Boulon de Carrosserie de 5/16 po x 1 po (x4)
11M1016P



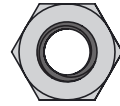
⑦ Rondelle Plate 5/8 po (x4)
45M2121P



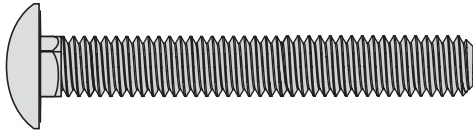
⑤ Boulon de Carrosserie de 5/16 po x 1-1/2 po (x2)
11M1024P



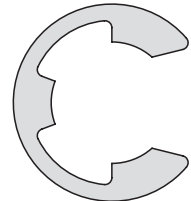
⑧ Écrou de blocage en nylon de 5/16 po (x8)
B-4786



⑥ Boulon de Carrosserie de 5/16 po x 2-1/4 po (x2)
11M1036P



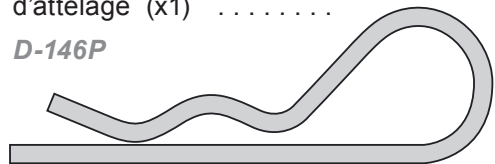
⑪ Anneau de retenue de type E de 5/8 po (x2)
F-577



⑬ Goupille d'attelage (x1)
B-3861



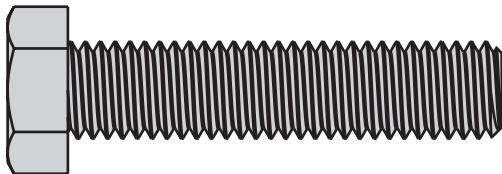
⑭ Agrafe de la goupille d'attelage (x1)
D-146P



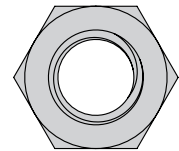
PIÈCES DANS LE SAC DE MATÉRIEL ADDITIONNEL

(Uniquement pour le PRC-241 BH)

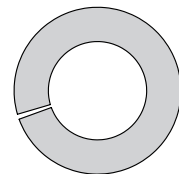
⑯ Boulon hexagonal de 1/2 po x 2-1/4 po (x1)
1M1636P



⑰ Écrou hexagonal de 1/2 po (x1)
30M1600P




⑱ Rondelle de blocage de 1/2 po (x1)
40M1600P



ASSEMBLAGE

Assemblage Étape 1

Fixation du Racleur à Barre

 Panneau de Matériel A

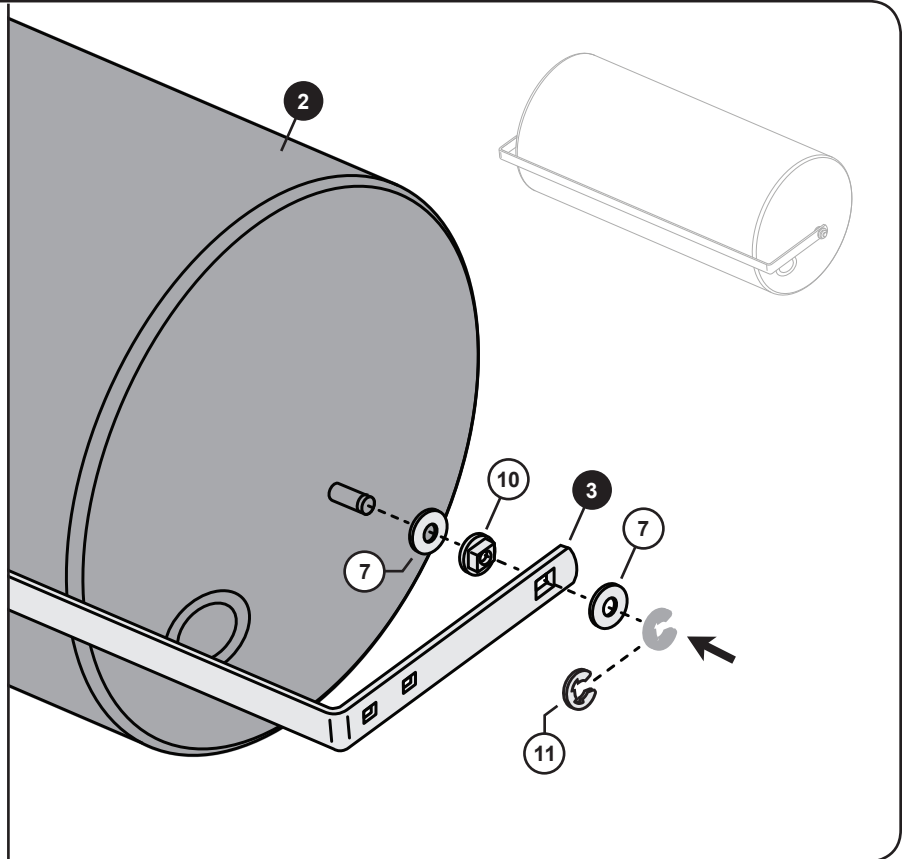
Ajoutez une rondelle plate de 5/8 po (7) sur le rouleau (2) de la manière illustrée.

Faites glisser un coussinet carré (10) dans le grand trou carré à l'extrémité du racleur à barre (3), et ajoutez-le au rouleau.


Ajoutez une autre rondelle plate de 5/8 po (7).

Sécurisez le tout en faisant glisser un anneau de retenue de type E de 5/8 po (11) dans la fente située au bout du rouleau (2).

Répétez cette étape à l'autre extrémité du rouleau.



Assemblage Étape 2

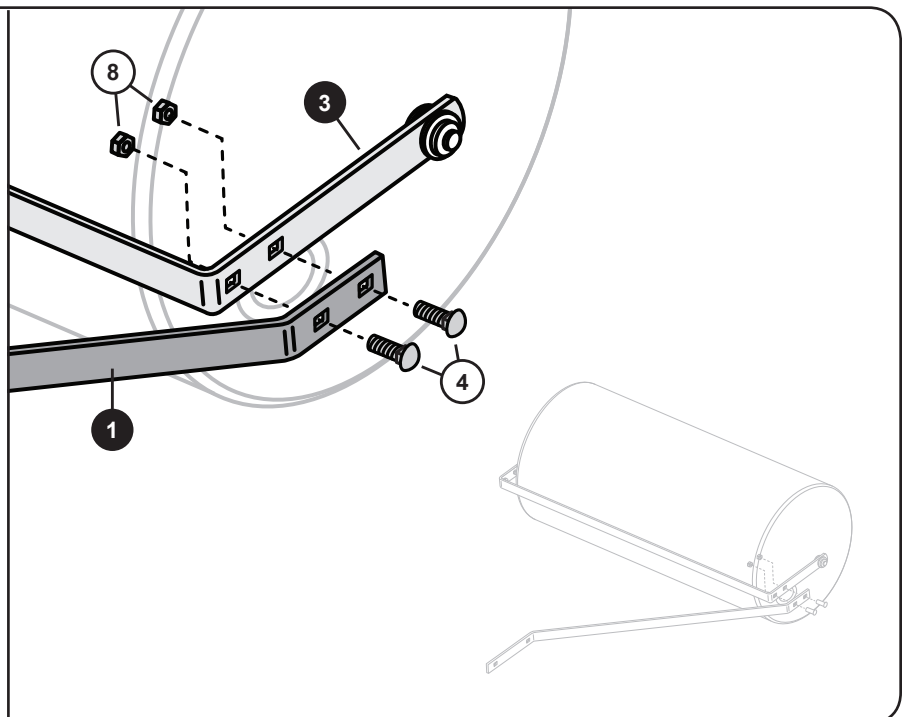
 Panneau de Matériel B

Alignez la barre d'extension du cadre (1), comme illustré.

De l'extérieur, passez deux boulons de carrosserie de 5/16 x 1 po (4) à travers la barre d'extension (1) et le racleur à barre (3), comme illustré.

Sécurisez le tout en place avec deux écrous de blocage en nylon de 5/16 po (8).

Répétez cette étape à l'autre extrémité du rouleau.




ASSEMBLAGE

REMARQUE : Ne serrez pas complètement les écrous de blocage qui sont ajoutés à cette étape (jusqu'à ce que l'étape 4-A de l'assemblage soit terminée).

Assemblage Étape 3

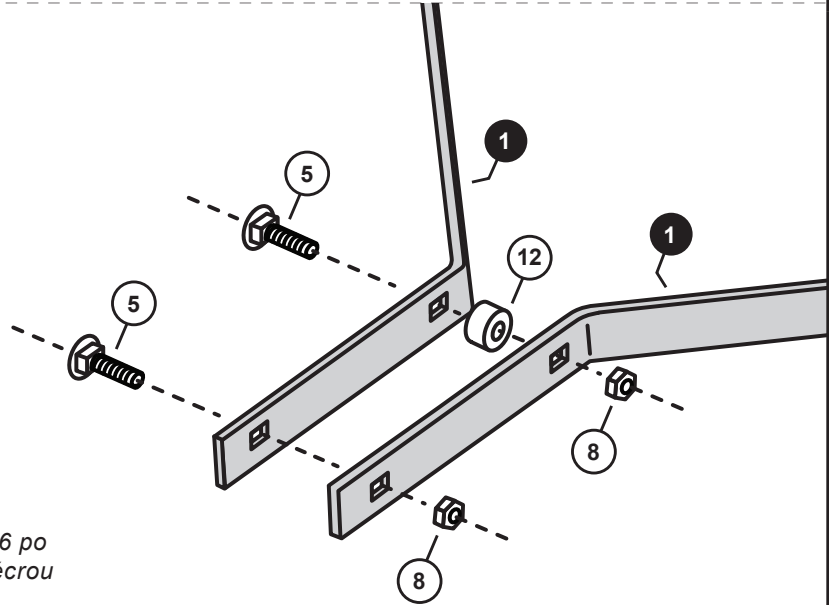
Connexion des Barres D'extension du Cadre

 Panneau de Matériel C

Centrez l'espaceur (12) entre le deuxième trou des barres d'extension (1) et faites passer un boulon de carrosserie de 5/16 po (5).


Ajoutez sans serrer un écrou de blocage de 5/16 po (8).

Ajoutez le deuxième boulon de carrosserie de 5/16 po aux barres d'extension (1) et fixez-le à l'aide de l'écrou de blocage supplémentaire de 5/16 po (8).



Assemblage Étape 4

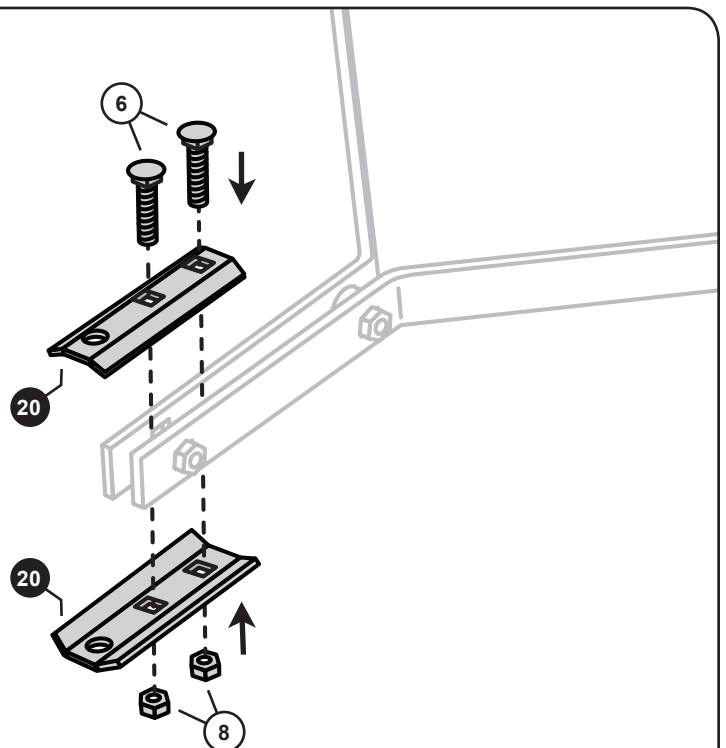
Fixation du Chape

 Panneau de Matériel D

Alignez les plaques à chape (20), comme illustré.

REMARQUE : Les deux boulons qui seront ajoutés à cette étape doivent chevaucher l'espaceur fixé à l'étape 3.

Passez deux boulons de carrosserie de 5/16 x 2-1/4 po (6) à travers les plaques à chape (20). Fixez le tout en place avec deux écrous de blocage en nylon de 5/16 po (8).




ASSEMBLAGE

Si vous assemblez le PRC-241 BH: Sauter l'étape 5 et passez à l'étape 6 de l'assemblage



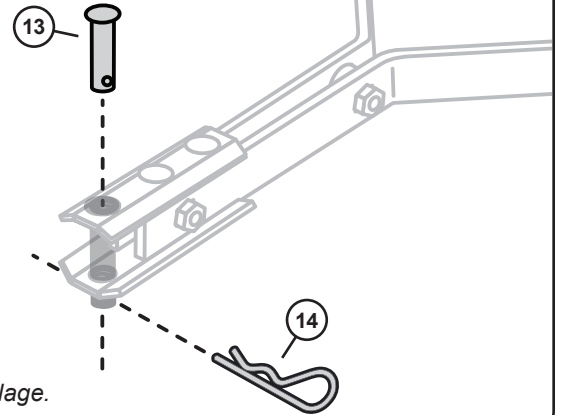
PRT-361 BH, PRT-361S BH et PRT-481S BH: Fixation de la Chape

Assemblage Étape 5

 Hardware Panel D

Passez la goupille d'attelage (13) à travers les ouvertures restantes de la chape (20) et fixez-la avec une agrafe (14).


Ignorez l'étape 6 et passez à l'étape 7 de l'assemblage.



PRC-241 BH: Fixer la Poignée

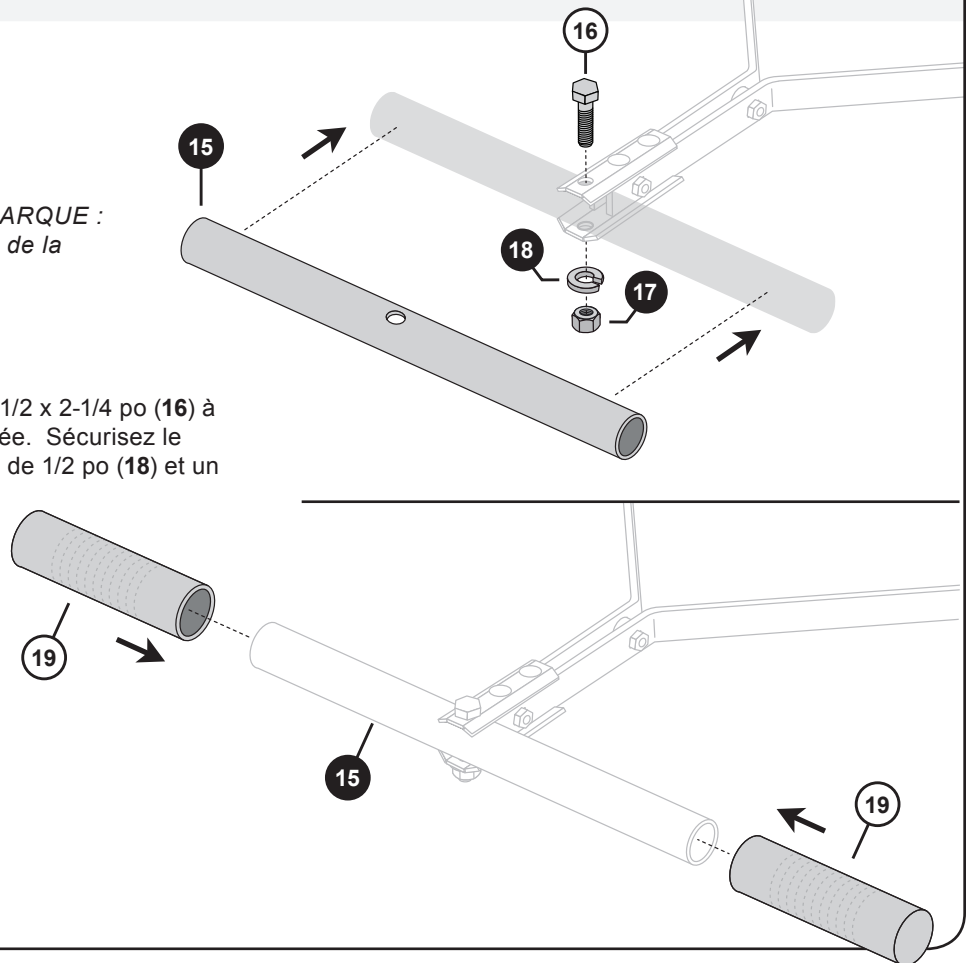
Assemblage Étape 6

Faites glisser la poignée (15) entre les plaques à chape, comme illustré. **REMARQUE :** Assurez-vous d'aligner les ouvertures de la chape avec celles de la poignée.

 Hardware Bag

Faites passer un boulon hexagonal de 1/2 x 2-1/4 po (16) à travers les plaques à chape et la poignée. Sécurisez le montage avec une rondelle de blocage de 1/2 po (18) et un écrou de blocage de 1/2 po (17).

Faites glisser les prises (19) sur les extrémités de la poignée (15).



ASSEMBLAGE

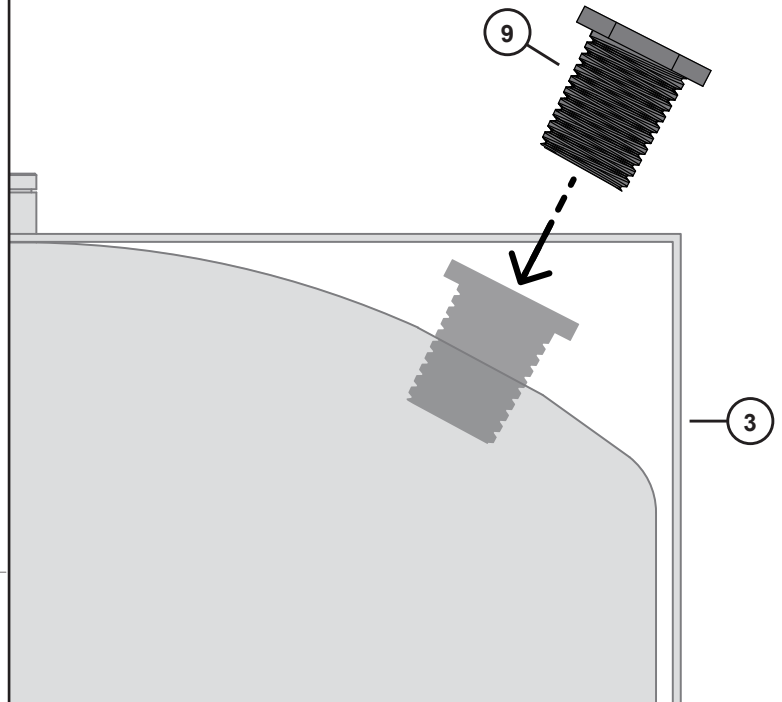
Assemblage Étape 6

Ajout de la fiche du rouleau

Lors de l'installation de la fiche (9), veuillez noter il n'est PAS conçu pour resserrer tous les descente. *Une partie du bouchon s'étendra du rouleau, cependant, cela n'interférera pas avec la barre de raclage (3).*

Serrez à la main le plus loin possible, puis utilisez une clé pour serrer un autre quart de tour.

NOTE: La prise sera plus facile tourner dans le temps.



EN LIGNE: www.brinly.com

Des informations supplémentaires et des vidéos sont disponibles sur notre site Web OU vous pouvez numériser l'un des codes QR suivants :



FONCTIONNEMENT ET ENTRETIEN

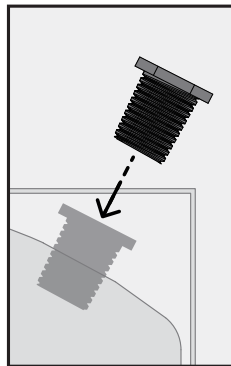
FONCTIONNEMENT



MISE EN GARDE! Ne surchargez pas votre tracteur/tondeuse autoportée. Lorsqu'il est entièrement chargé d'eau, le rouleau pèse :

PRC-241 BH	= 270 lb
PRT-361 BH	= 690 lb
PRT-361S BH	= 390 lb
PRT-481S BH	= 485 lb

- Consultez le manuel du tracteur pour déterminer la capacité de remorquage appropriée de votre tracteur/tondeuse autoportée.
- Remplissez le rouleau avec la quantité d'eau recommandée pour votre tracteur/tondeuse autoportée. Vissez le bouchon (le bouchon a un filetage et peut ne pas se laisser visser complètement) et serrez fermement.
- Le bouchon est un raccord fileté de tuyau conique, qui permet aux filetages d'agir comme un produit d'étanchéité et d'empêcher toute fuite du contenu du tambour.



REMARQUE:

De par sa conception, un filetage tuyau conique nécessitera plus de couple lorsqu'il se fixera, car le filetage du bouchon et le filetage des trous correspondants se verrouillent de plus en plus serrés. Avec ce type de joint, un joint, une pâte à joint ou du ruban de plombier n'est pas nécessaire.

- Pour une plus longue durée de vie, il est conseillé de retirer le bouchon et, si possible, de suspendre le rouleau lorsqu'il n'est pas utilisé pour éviter la formation d'un point plat.
- Si un point plat se forme sur le rouleau pendant l'entreposage, s'assurer que le rouleau est vide, puis le laisser au soleil pour le chauffer et le faire rouler afin de réduire la surface plate.
- Veillez noter que du sable peut être utilisé pour remplacer l'eau sans risque de gelée.
- La condition sol est essentielle pour obtenir un bon nivellement. Le sol doit être humide, mais pas boueux.
- Reportez-vous au manuel du propriétaire de votre tracteur ou de votre tondeuse autoportée pour connaître sa capacité de remorquage et les conditions de bon fonctionnement de votre équipement de remorquage. Les distances de remorquage et d'arrêt seront grandement affectées par le poids supplémentaire du rouleau.

ENTRETIEN



- Pour pouvoir utiliser votre rouleau à gazon pendant de longues années sans éprouver de problème, le plus important, c'est de le garder propre et sec.
- De temps à autre, vérifiez que toutes les pièces mobiles sont libres et, si nécessaire, lubrifiez-les avec de l'huile.
- En cas de trace de rouille, poncez légèrement la zone puis peignez-la avec de l'émail.
- Vérifiez périodiquement que toutes les fixations soient bien serrées.

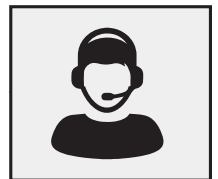


VITESSE DU TRACTEUR / DE LA TONDEUSE AUTOPORTÉE. Les rouleaux donnent les meilleurs résultats lorsque les conditions du sol sont bonnes et que l'équipement fonctionne à moins de 3 mi/h.

POUR CALIBRER VOTRE TRACTEUR À 3 MI/H

Mesurez une distance de 20 pieds sur une surface plane et nivelée. Réglez les gaz du tracteur et sélectionnez une vitesse pour couvrir cette distance en 4,5 secondes.

SERVICE



LA QUALITÉ CONTINUE AVEC UN SERVICE DE QUALITÉ.

Si vous avez des questions au sujet de l'installation, s'il vous manque des pièces ou si vous avez besoin de pièces de rechange, ne retournez pas au magasin!

Trouvez le numéro de série et le numéro de modèle de votre produit, puis communiquez avec notre service au client :



Si vous êtes en Amérique du Nord, incluant au Canada, appelez sans frais au : **877 728-8224**



Conversez en ligne : **www.brinly.com**



Courriel : **customerservice@brinly.com**



GARANTIE LIMITÉE DU FABRICANT POUR ACCESSOIRES REMORQUÉS

La garantie limitée énoncée ci-dessous est fournie par Brinly-Hardy Company et a trait à la marchandise neuve acquise et utilisée aux États-Unis et dans ses possessions et territoires.

Brinly Hardy Company garantit les produits répertoriés ci-dessous contre les vices de matériau et de fabrication, et réparera ou remplacera, à sa discrétion et sans frais, toute pièce présentant des vices de matériau ou de fabrication. Cette garantie limitée s'applique uniquement si le produit a été assemblé, utilisé et entretenu en conformité avec le manuel de l'opérateur fourni avec le produit, et s'il n'a pas fait l'objet d'un usage inadéquat, abusif, commercial ou négligent, d'un accident, d'entretiens inappropriés, d'une modification, de vandalisme, d'un vol, d'un incendie, de dégâts causés par l'eau ou d'un dommage résultant de tout autre péril ou désastre naturel.

Les pièces ou composantes d'usure courante mentionnées ci-dessous sont assujetties aux conditions distinctes suivantes : toutes les défaillances des pièces ou composantes d'usure courante seront couvertes sur le produit pour une période de 90 jours.

Les pièces défaillantes pendant la période de la garantie seront remplacées à nos frais. Sous cette garantie, notre obligation est expressément limitée au remplacement ou à la réparation, à notre discrétion, de pièces présentant des vices de matériau et de fabrication.

POUR UN DÉPANNAGE : Les remplacements de pièces garanties sont fournis UNIQUEMENT AVEC PREUVE D'ACHAT auprès de notre Service d'assistance à la clientèle pour les accessoires remorqués. Composez le 877-728-8224.

Cette garantie limitée ne fournit pas de couverture dans les cas suivants :

- a) Articles d'entretien de routine, tels les lubrifiants et les filtres.
- b) Détérioration normale du fini extérieur due à l'utilisation ou à l'exposition aux éléments.
- c) Frais de transport et/ou de main-d'œuvre.
- d) La garantie ne couvre pas l'utilisation de produits de location.

Aucune garantie implicite, y compris toute garantie implicite de qualité marchande et d'adaptation à un usage particulier, ne s'applique après la période applicable de la garantie expresse écrite ci-dessus relativement aux pièces identifiées ci-dessous. Aucune autre garantie expresse, écrite ou verbale, à l'exception de celle mentionnée ci-dessus, consentie par toute personne ou toute entité, y compris un concessionnaire ou un détaillant, relativement à

tout produit, ne viendra lier Brinly-Hardy Co. Au cours de la période couverte par la garantie, la solution exclusive est la réparation ou le remplacement du produit, comme énoncé plus haut.

Les clauses décrites dans la présente garantie sont les seuls recours exclusifs découlant de l'achat du produit. Brinly-Hardy Co. ne pourra être tenu responsable d'aucune perte ou dommage accessoire ou indirect, y compris, sans restriction, les frais encourus pour des services de soins de pelouse de remplacement ou substitués, ou pour les frais de location pour le remplacement temporaire d'un produit sous garantie.

Certains États ou provinces ne permettent pas l'exclusion ou la restriction de dommages accessoires ou indirects ou de la durée de la garantie implicite, auquel cas, les exclusions ou restrictions pourraient ne pas s'appliquer.

Au cours de la période de garantie, le recours exclusif est le remplacement de la pièce. Aucune réparation ne pourra, quelles que soient les circonstances, dépasser le coût du prix d'achat du produit vendu. Toute altération des caractéristiques de sécurité de ce produit annulera cette garantie. Vous assumez le risque et la responsabilité en cas de toute perte et de tout dommage ou blessure subis par vous-même et votre propriété et/ou par d'autres et leur propriété à la suite d'une utilisation inadéquate de ce produit ou d'une incapacité à en faire usage.

Cette garantie limitée s'applique uniquement à l'acheteur original ou à la personne à laquelle ce produit a été offert.

LOIS DES ÉTATS OU DES PROVINCES RELATIVES À LA PRÉSENTE GARANTIE :

La présente garantie limitée vous accorde des droits légaux spécifiques et vous pourriez également avoir d'autres droits qui varient d'un État ou d'une province à l'autre.

IMPORTANT :

La période de garantie énoncée ci-dessous débute à la date de la PREUVE D'ACHAT. Sans la preuve d'achat, la période de garantie débute à la date de fabrication déterminée par la date de fabrication du numéro de série.

PÉRIODE DE GARANTIE :

La période de garantie est la suivante: 2 ans

SINCE 1839

BRINLY

SINCE 1839

BRINLY

MANUAL DEL PROPIETARIO

RODILLO DE CÉSPED

MODELO DE RODILLO :

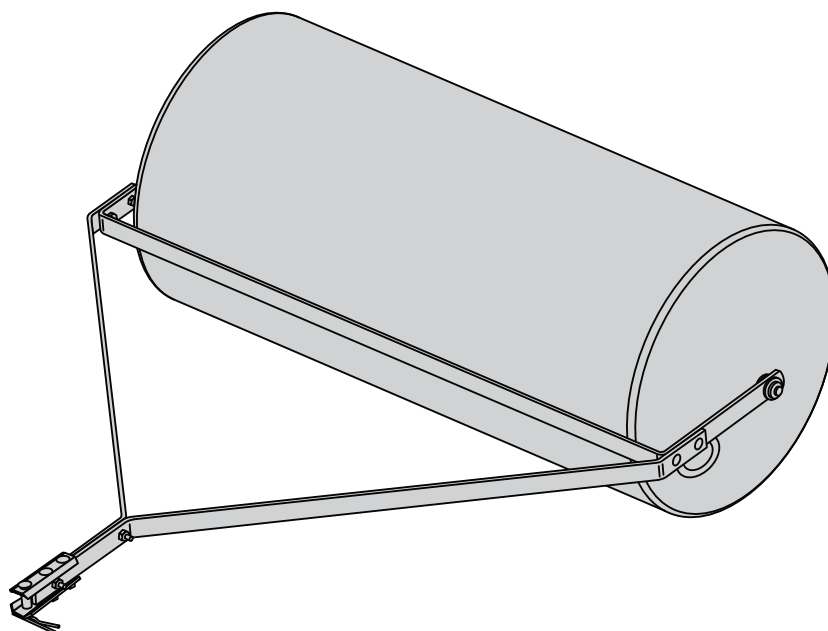
PRC-241 BH

PRT-361 BH

PRT-361S BH

PRT-481S BH

- La seguridad
- Asamblea
- Operación
- Partes de Refacción
- Mantenimiento



Para usar con jinetes, tractores de césped o jardín y vehículos todo terreno

* PRC-241 BH Push versión no mostrada.

Visita en Línea!
www.brinly.com

Importante: Este manual contiene información para la seguridad de personas y bienes. ¡Léalo de manera cuidadosa antes de armar y operar el equipo!

INTRODUCCION Y SEGURIDAD

¡Felicitaciones por su nuevo rodillo de césped Brinly-Hardy! Este accesorio se diseñó y fabricó para brindarle la mejor confiabilidad y rendimiento posibles.

Si tiene algún problema que no pueda solucionar de forma fácil, no dude en ponerse en contacto con nuestro departamento de servicio al cliente al 1-877-728-8224. Contamos con técnicos competentes y bien capacitados para ayudarlo con el montaje del rodillo y el uso del mismo.



RESPONSABILIDADES DEL CLIENTE

- Lea y conserve este manual. *Las instrucciones permitirán ensamblar y mantener su producto de manera adecuada.*
- Por favor lea atentamente y observe la sección SEGURIDAD de este manual.
- Lea atentamente y observe la sección SEGURIDAD de este manual.

TABLA DE CONTENIDO

LA SEGURIDAD	2
LISTA DE PIEZAS E IDENTIFICADOR DE HARDWARE	3 - 4
MONTAJE	5 - 8
OPERACIÓN	9
MANTENIMIENTO	9
GARANTÍA LIMITADA	10



Herramientas necesarias para el montaje:

- (x2) Llave de 1/2"
- (x2) Llave de 3/4" (solo PRC-241 BH)
- Alicates de junta deslizante

LA SEGURIDAD

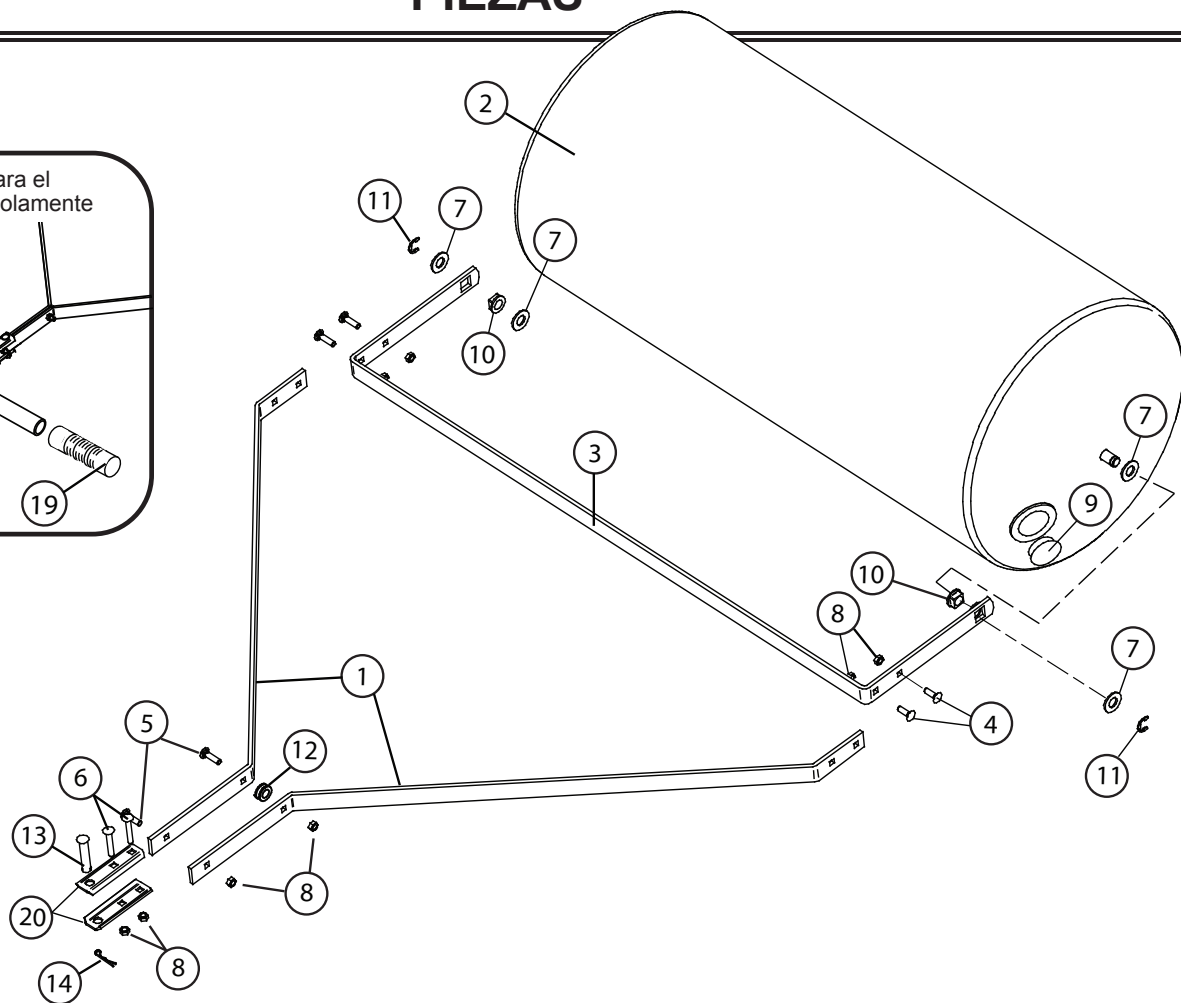
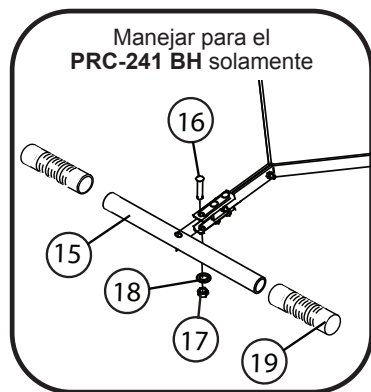
NORMAS PARA UNA OPERACIÓN SEGURA

- Conozca los controles y cómo detenerse de manera segura, LEA EL MANUAL DEL PROPIETARIO antes de operar.
- No permita que los niños operen el vehículo, ni que los adultos operen sin las instrucciones adecuadas o sin haber leído el manual del propietario.
- No llevar pasajeros. Mantenga a los niños y las mascotas a una distancia segura.
- Siempre use calzado sustancial. No use ropa holgada. No use ropa holgada que pueda quedar atrapada en las partes móviles.
- Mantenga sus ojos y mente en su tractor / accesorio y el área que está siendo cubierta. No permita que otros intereses le distraigan.
- Manténgase alerta para detectar agujeros en el terreno y otros peligros ocultos.
- No conduzca cerca de arroyos, zanjas y carreteras públicas.
- Tenga cuidado con el tráfico al cruzar o al cruzar cerca de las carreteras.
- Cuando use cualquier accesorio, no permita que nadie se acerque al vehículo mientras esté en funcionamiento.
- Mantenga el vehículo y el accesorio en buenas condiciones de funcionamiento y mantenga los dispositivos de seguridad en su lugar.
- Mantenga todas las tuercas, pernos y tornillos apretados para asegurarse de que el equipo esté en condiciones seguras de trabajo.
- El vehículo y el accesorio deben detenerse e inspeccionarse en busca de daños después de golpear un objeto extraño. El daño debe repararse antes de reiniciar y operar el equipo.
- Consulte el manual del propietario del equipo del tractor para operar de forma segura el equipo.



Este símbolo ayudará a señalar importantes precauciones de seguridad a lo largo de este manual. Significa: **¡ATENCIÓN! ¡ESTÉ ALERTA! Su seguridad está involucrada.**

PIEZAS



Ref.	La Descripción	Cant.	PRC-241 BH	PRT-361 BH	PRT-361S BH	PRT-481S BH
1	Barra de Extensión del Marco	2	B-3554-10	B-6289-10	B-5357-10	B-6290-10
2	Conjunto de Tambor de Rodillos	1	B-5121	B-6271	B-5353-B	B-5789-B
3	Barra Raspadora	1	B-6291-10	B-6272-10	B-6292-10	B-6294-10
4	5/16" x 1", Perno de Carro	4	11M1016P	11M1016P	11M1016P	11M1016P
5	5/16" x 1-1/2" Perno de Carro	2	11M1024P	11M1024P	11M1024P	11M1024P
6	5/16" x 2-1/4" Perno de Carro	2	11M1036P	11M1036P	11M1036P	11M1036P
7	Arandela Plana de 5/8"	4	45M2121P	45M2121P	45M2121P	45M2121P
8	Tuerca de Seguridad de Nylon de 5/16"	8	B-4786	B-4786	B-4786	B-4786
9	Enchufe	1	B5121-PL	B5121-PL	B5121-PL	B5121-PL
10	Rodamiento Cuadrado	2	B-6270	B-6270	B-6270	B-6270
11	Anillo E de 5/8"	2	F-577	F-577	F-577	F-577
12	Espaciador de Marco	1	R-1141	R-1141	R-1141	R-1141
13	Pin de Enganche	1	B-3861	B-3861	B-3861	B-3861
14	Chaveta de Pasador de Enganche	1	D-146P	D-146P	D-146P	D-146P
15	Manija	1	B-3556-10			
16	Perno Hexagonal 1/2" x 2-1 / 4	1	1M1636P			
17	Tuerca Hexagonal 1/2"	1	30M1600P			
18	Arandela de Seguridad 1/2"	1	40M1600P			
19	Mango	2	B-2579			
20	Horquilla	2	R-892-10			

¿Preguntas de instalación?
¿Partes faltantes? ¿Piezas de repuesto?

¡NO REGRESE A LA TIENDA!

Llame a nuestro departamento servicio al cliente, sin cargo: 877-728-8224 o customerservice@brinly.com



IDENTIFICADOR DE HARDWARE

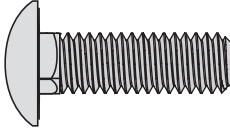


Las ilustraciones de esta página están a escala para una identificación más rápida del hardware durante el ensamblaje.

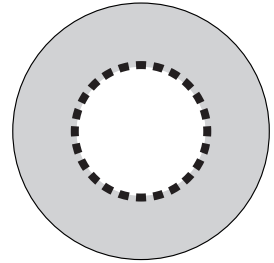
NO DEVUELVA EL PRODUCTO SI FALTAN PIEZAS.

Por favor llama: 1 (800) 972-6130

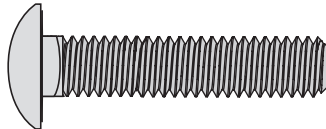
④ Perno de Carro
5/16" x 1"
(x4)
11M1016P



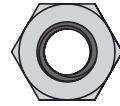
⑦ Arandela Plana
de 5/8" (x4)
45M2121P



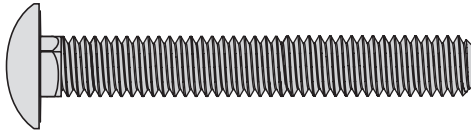
⑤ Perno de Carro
5/16" x 1-1/2"
(x2)
11M1024P



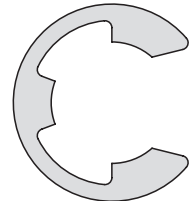
⑧ Tuerca de Seguridad
de Nylon de 5/16"
(x8)
B-4786



⑥ Boulon de Carrosserie
5/16" x 2-1/4"
(x2)
11M1036P



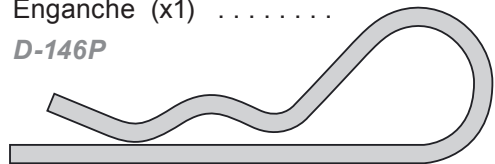
⑪ Anillo E
de 5/8" (x2)
F-577



⑬ Pin de Enganche
(x1)
B-3861



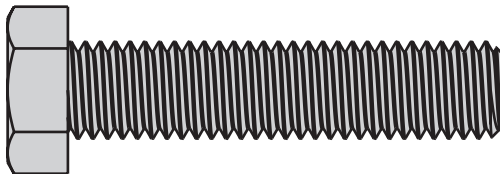
⑭ Chaveta de Pasador de Enganche (x1)
D-146P



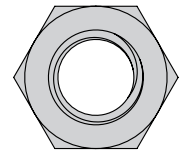
PIEZAS EN BOLSA DE HARDWARE ADICIONAL

(Solo para PRC-241 BH)

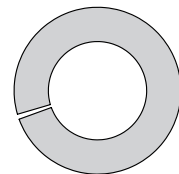
⑯ Perno Hexagonal
1/2" x 2-1/4"
(x1)
1M1636P



⑰ Tuerca Hexagonal
1/2" (x1)
30M1600P



⑱ Arandela de Seguridad
1/2" (x1)
40M1600P



MONTAJE

Assemblage Paso 1

Colocación de rascador de barra

Panel de Hardware A

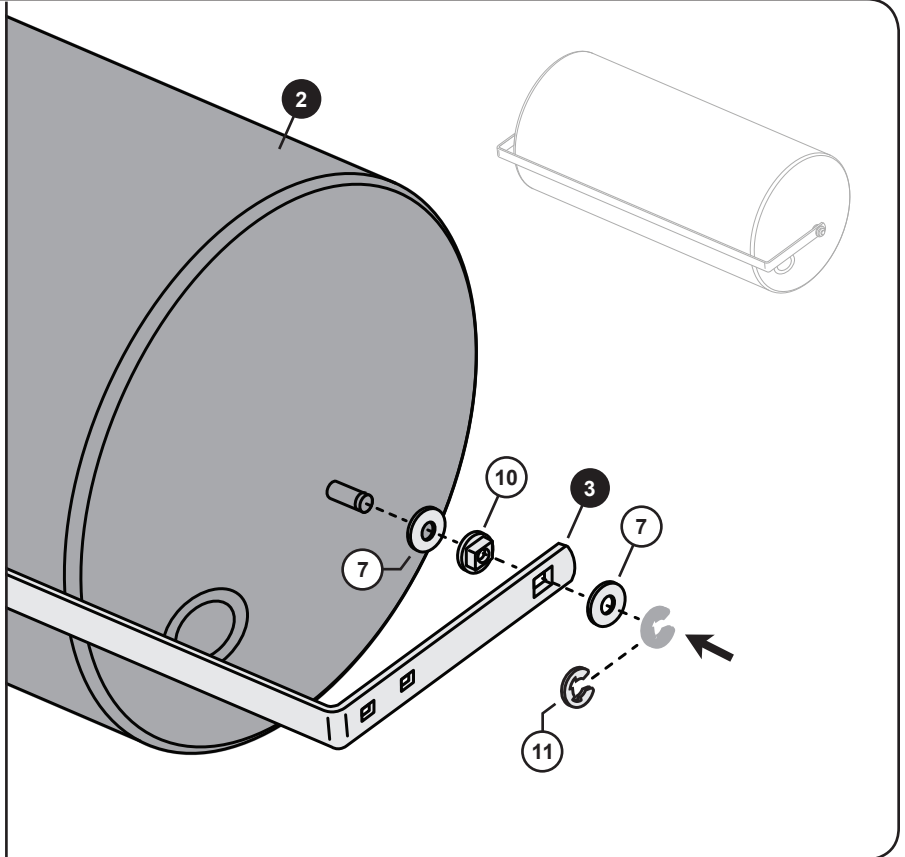
Agregue una arandela plana de 5/8" (7) al tambor de rodillo (2) como se ilustra.

Deslice un rodamiento cuadrado (10) en el orificio cuadrado grande en el extremo del rascador de barra (3) y agréguelo al tambor de rodillos

Agregue otra arandela plana de 5/8" (7).

Asegure todo en su lugar deslizando un anillo en E de 5/8" (11) en la ranura al final del tambor de rodillos (2).

Repita este paso en el otro extremo del tambor.



Assemblage Paso 2

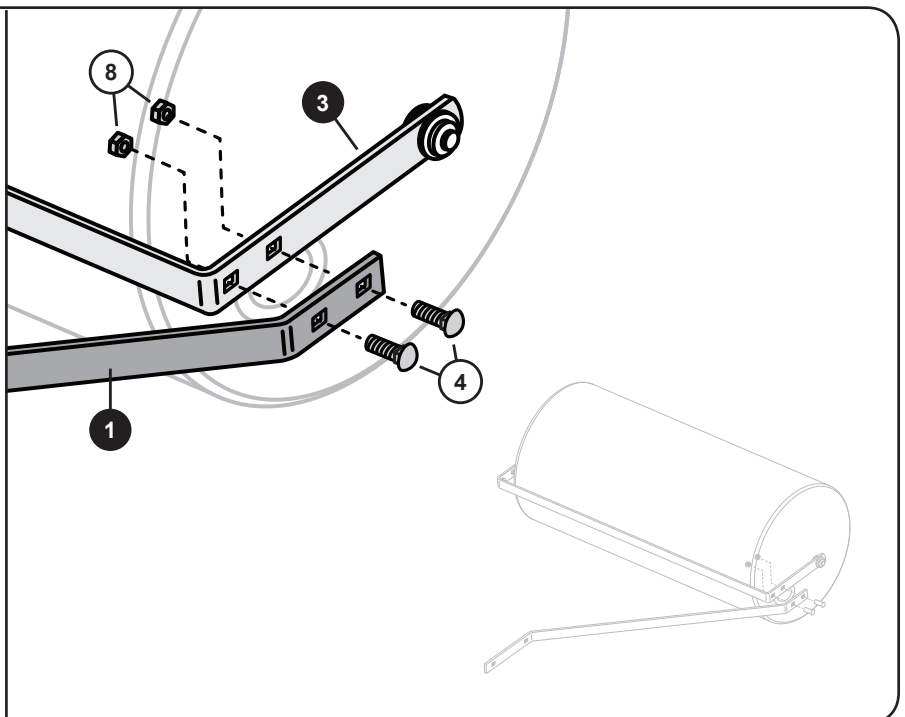
Panel de Hardware B

Alinee la barra de extensión del marco (1) como se ilustra.

Desde el exterior, pase dos pernos de transporte de 5/16 x 1" (4) a través de la barra de extensión (1) y el rascador de barra (3) como se ilustra.

Asegure todo en su lugar con dos tuercas de seguridad de nylon de 5/16" (8).

Repita este paso en el otro extremo del tambor.




MONTAJE

NOTA: No apriete completamente las tuercas de seguridad agregadas en este paso (hasta que se complete el paso de montaje 4-A).

Assemblage Paso 3

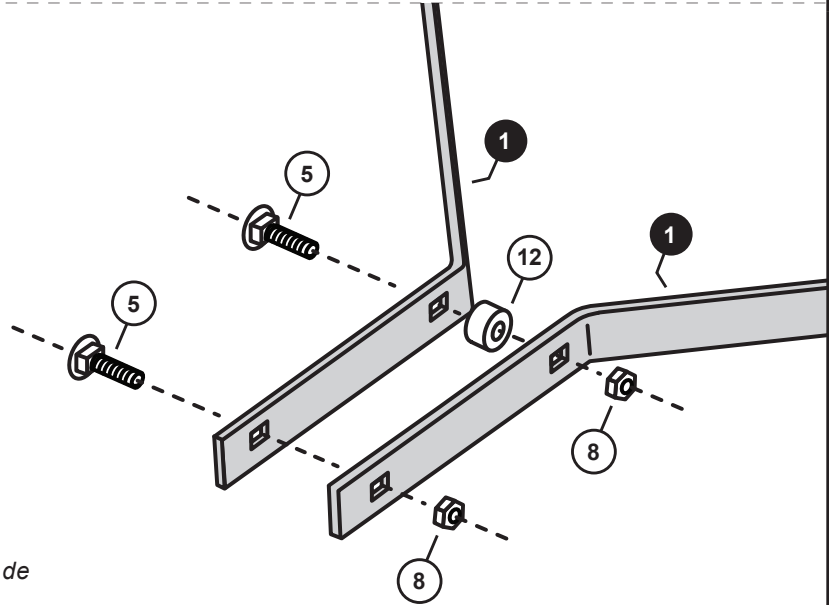
Conexión de las barras de extensión del marco

 Panel de Hardware C

Centre el espaciador (12) entre el segundo orificio de las barras de extensión (1) y pase un perno de transporte de 5/16" (5).


Agregue de forma ligera una tuerca de seguridad de 5/16" (8).

Agregue el segundo perno de transporte de 5/16" a las barras de extensión (1) y fíjelo con la tuerca de seguridad adicional de 5/16" (8).



Assemblage Paso 4

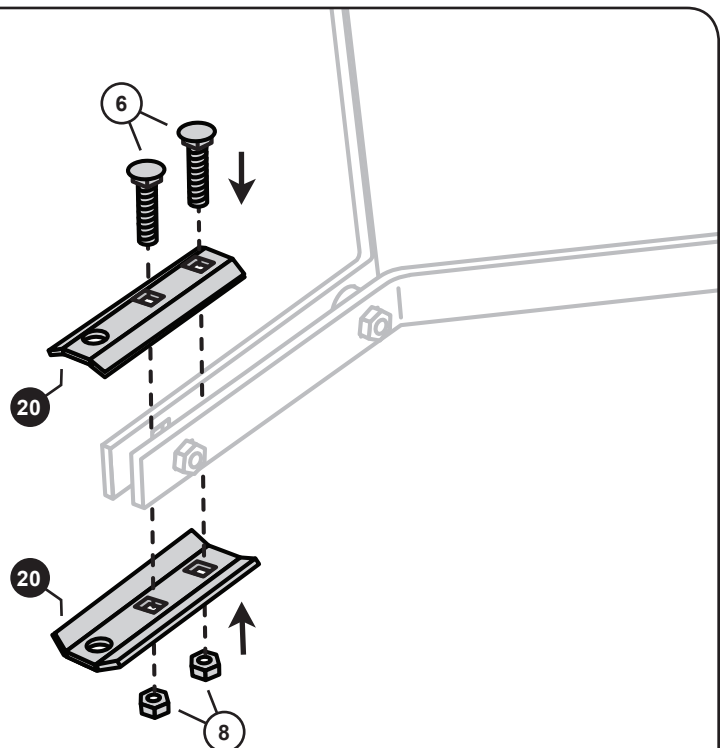
Colocar la Horquilla

 Panel de Hardware D

Alinee las placas de horquilla (20) como se ilustra.

NOTA: Los dos pernos que se agregarán en este paso deben colocar el separador agregado en el paso 3.

Pase dos pernos de transporte de 5/16 x 2-1/4" (6) a través de las placas de horquilla (20). Fíjelo en su posición con dos tuercas de seguridad de nylon de 5/16" (8).




MONTAJE

Si está
ensamblando
PRC-241 BH:
Omita el paso 5
y continúe con
el paso de
montaje 6



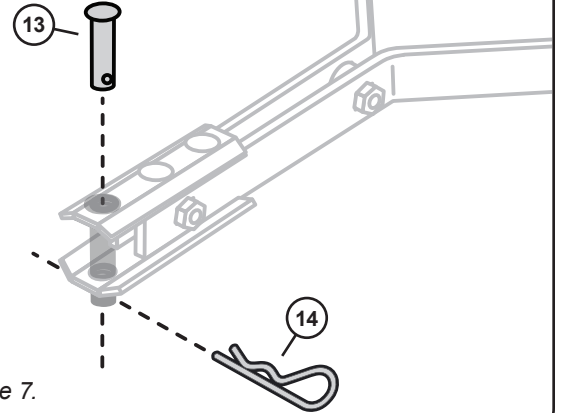
PRT-361 BH, PRT-361S BH & PRT-481S BH: Colocar la Horquilla

Assemblage Paso 5

 Panel de Hardware D

Agregue el pasador de enganche (13) a través de las aberturas restantes de la horquilla (20) y fíjelo con una chaveta de pasador de enganche (14).


Omita el paso 6 y continúe con el paso de montaje 7.



PRC-241 BH: Colocación de la Manija

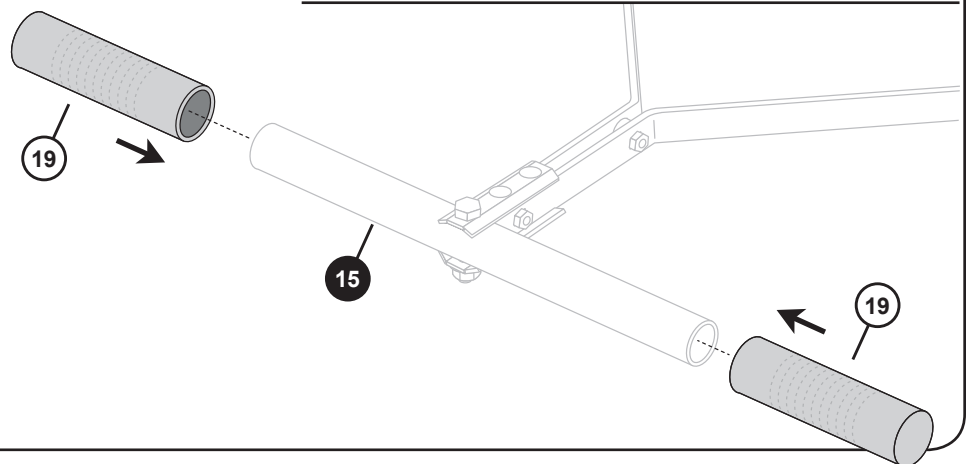
Assemblage Paso 6

Deslice la manija (15) entre las placas de horquilla como se ilustra. **NOTA: Asegúrese de alinear las aberturas de la horquilla y el mango.**

 Sac de Matériel

Pase un perno hexagonal de 1/2 x 2-1/4" (16) a través de las placas de horquilla y la manija. Asegure con una arandela de seguridad de 1/2" (18) y una tuerca de seguridad de 1/2" (17).

Deslice las empuñaduras (19) sobre los extremos del mango (15).



MONTAJE

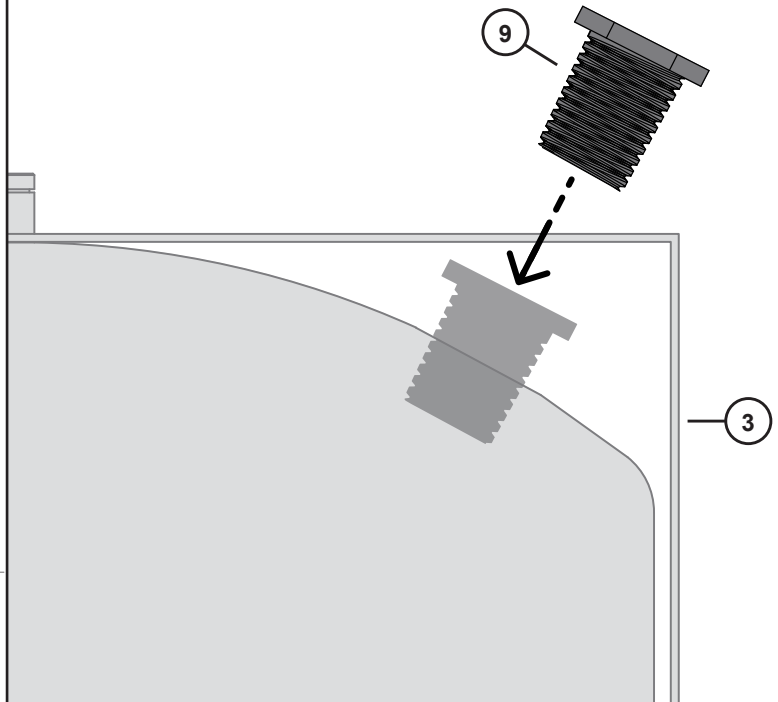
Assemblage Paso 7

Agregar el Tapón de Rodillo

Al instalar el enchufe (9) tenga en cuenta NO está diseñado para apretar todos los camino hacia abajo. *Una parte del tapón se extenderá desde el rodillo, sin embargo, no interferirá con la barra raspadora (3).*

Apriete a mano tanto como sea posible, luego use una llave para apretar otro cuarto de vuelta.

NOTA: el enchufe será más fácil rotar con el tiempo.



EN LÍNEA: www.brinly.com

Información adicional y videos están disponibles en nuestro sitio web
O escanee uno de los siguientes códigos QR:

PRC-24BH



PRT-36SBH



PRT-48SBH



PRT-36BH



OPERACIÓN Y MANTENIMIENTO

OPERACIÓN

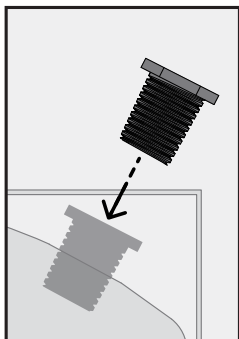


¡PRECAUCIÓN! No sobrecargue su Tractor / Piloto. El rodillo completamente cargado con agua pesa:

PRC-241 BH	= 270 libras
PRT-361 BH	= 690 libras
PRT-361S BH	= 390 libras
PRT-481S BH	= 485 libras

- Consulte el manual del tractor para determinar la capacidad de remolque adecuada de su Tractor / Piloto.

- Llene el rodillo con la cantidad de agua recomendada para su tractor / piloto. Atornille el enchufe (el enchufe tiene roscas de tubo y puede que no se atornille completamente) y apriete firmemente.



- La tapa es un accesorio roscado de tubería cónica, que permite que las roscas actúen como un sellador y evitan la fuga del contenido del tambor.

NOTA: Por diseño, una rosca de tubería cónica requerirá más torque cuando se une, ya que la rosca del tapón y las roscas de los orificios correspondientes se bloquean cada vez más firmemente. Con este tipo de sello, no es necesario un sello, compuesto para juntas o cinta de plomero.

- Para una vida más larga, es aconsejable quitar la tapa y, si es posible, suspender el rodillo cuando no se usa para evitar la formación de un punto plano.
- Si se forma un punto plano en el rollo durante el almacenamiento, asegúrese de que esté vacío, luego déjelo al sol para calentarlo y enróllelo para reducir la superficie plana.
- Tenga en cuenta que se puede usar arena para reemplazar el agua sin riesgo de heladas.
- La condición del suelo es vital para una buena nivelación. El suelo debe estar húmedo, pero no fangoso.
- Consulte el manual del propietario de su tractor o cortadora de césped para conocer la capacidad de remolque adecuada y la operación segura de su equipo de remolque. Las distancias de remolque / parada se verán muy afectadas por el peso adicional del rodillo.

MANTENIMIENTO



- La clave para años de servicio sin problemas es mantener su rodillo de césped limpio y seco.
- Ocasionalmente verifique que todas las partes móviles se muevan de forma libre y, si es necesario, lubrique con aceite.
- Si se oxida, lije ligeramente y luego pinte el área con esmalte.
- Revise de forma periódica todos los sujetadores para ver si están apretados.



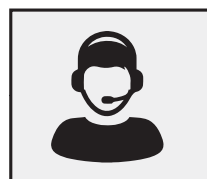
TRACTOR / VELOCIDAD DE SEGADORA.

Los rodillos producen los mejores resultados cuando las condiciones del terreno son correctas y el equipo funciona a menos de 3 mph.

CALIBRAR SU TRACTOR A 3 MPH

Mida una distancia de 20 pies en una superficie plana y nivelada. Ajuste el acelerador del tractor y seleccione una marcha para cubrir esta distancia en 4.5 segundos.

SERVICIO



LA CALIDAD CONTINÚA CON UN SERVICIO DE CALIDAD.

Si tiene preguntas sobre la instalación, le faltan piezas o necesita piezas de repuesto, ¡no vuelva a la tienda!

Busque el número de serie y el número de modelo de su producto, luego póngase en contacto con nuestro departamento de atención al cliente:



En Norteamérica y Canadá, llame gratis:
877-728-8224



Chatear en línea: www.brinly.com



Email: customerservice@brinly.com



GARANTÍA LIMITADA DEL FABRICANTE PARA ACCESORIOS PULL BEHIND DE BRINLY

La garantía limitada a continuación ha sido establecida por Brinly-Hardy Company con respecto a los productos nuevos comprados y usados en los Estados Unidos, sus territorios y posesiones.

Brinly Hardy Company brinda una garantía de los productos mencionados a continuación contra defectos de materiales y fabricación y, a su criterio, reparará o reemplazará, sin costo alguno, toda pieza con defectos de materiales o fabricación. Esta garantía limitada solo se aplicará si este producto ha sido armado, utilizado y ha recibido mantenimiento de acuerdo con el manual de funcionamiento provisto con el producto, y no ha sido sujeto a maltrato, abuso, uso comercial, negligencia, accidente, mantenimiento inadecuado, modificación, vandalismo, robo, fuego, agua, ni daño ocasionado por otro peligro o desastre natural.

El desgaste normal de sus piezas o componentes está sujeto a los siguientes términos: el producto estará cubierto contra todo desgaste normal de partes o falla de componentes por un período de 90 días.

Reemplazaremos toda parte que se encuentre defectuosa dentro del período de garantía sin costo. Nuestra obligación en esta garantía se limita expresamente al reemplazo o la reparación, según nuestro criterio, de las partes que presenten defectos de materiales o fabricación.

CÓMO OBTENER SERVICIO: Los reemplazos de partes cubiertas por la garantía están disponibles, SOLO CON EL COMPROBANTE DE COMPRA, en nuestro Departamento de Atención al Cliente de Accesorios Pull Behind. Llame al 877-728-8224.

Esta garantía limitada no ofrece cobertura en los siguientes casos:

- Artículos de mantenimiento rutinario tales como lubricantes y filtros.
- Deterioro normal del acabado exterior debido al uso o a la exposición.
- Cargos de transporte o trabajo.
- La garantía no incluye el uso de alquiler.

Ninguna otra garantía, como alguna garantía implícita de comerciabilidad o idoneidad para un propósito particular, se aplica después del período vigente de garantía escrita expresa mencionada con respecto a las partes que se identifican a continuación. Ninguna otra garantía expresa, sea escrita u oral, excepto como se menciona anteriormente, otorgada por cualquier persona o entidad, como un distribuidor o minorista, con respecto a cualquier producto, obligará a Brinly-Hardy

Co. Durante el período de garantía, la única solución es la reparación o el reemplazo de la parte como se estipula anteriormente.

Las disposiciones, como se expresan en esta garantía, brindan la única y exclusiva solución emanada de la venta. Brinly-Hardy Co. no será responsable por pérdidas o daños incidentales o indirectos, incluidos, entre otros, los gastos ocasionados por los servicios de cuidado del césped o los gastos de alquiler para reemplazar temporalmente el producto garantizado.

Algunos estados no permiten la exclusión o limitación de daños incidentales o indirectos, o limitaciones sobre el período de duración de una garantía implícita, de manera que las exclusiones o limitaciones anteriores podrían no aplicarse en su caso.

Durante el período de garantía, la única solución es el reemplazo de la parte. En ningún caso la recuperación de cualquier tipo será superior al monto del precio de compra del producto vendido. La modificación de las características de seguridad del producto invalidará esta garantía. Usted asume el riesgo y la obligación por la pérdida, daño, o lesión a su persona y a su propiedad o a terceros y su propiedad que surjan a raíz del mal uso y la incapacidad para usar este producto.

Esta garantía limitada no se extenderá a nadie distinto al comprador original o a la persona para quien fue adquirida como un regalo.

CÓMO SE RELACIONA LA LEY ESTATAL CON ESTA GARANTÍA : Esta garantía limitada le otorga a usted derechos legales específicos y usted podría tener también otros derechos que varían de un estado a otro.

IMPORTANTE :

El período de garantía indicado a continuación empieza con el COMPROBANTE DE COMPRA. Sin el comprobante de compra, el período de garantía empieza desde la fecha de fabricación determinada por el número de serie de fabricación.

PERÍODO DE GARANTÍA :

El período de garantía es el siguiente: 2 años.