

OPERATOR'S MANUAL MANUEL D'UTILISATION MANUAL DEL OPERADOR

18 VOLT COMPACT ROUTER TOUPIE COMPACTE DE 18 V TUPI COMPACTO DE 18 V

R86044

To register your RIDGID® product, please visit:
<http://register.RIDGID.com>

Pour enregistrer votre produit de RIDGID®, s'il vous plaît la visite :
<http://register.RIDGID.com>

Para registrar su producto de RIDGID®, por favor visita:
<http://register.RIDGID.com>

INCLUDES: Compact router, Wrench, Flush cut bit, Edge guide/guide bars, Round sub-base, Operator's Manual

INCLUT : Toupie compacte, clé, fer à rogner à roulement à billes noyé, guide margeur/ barres guides, subbase rond, manuel del utilisation

INCLUDE: Tupi compacto, fresa de recortar a ras con cojinete, guía de bordes/barras guía, subbase redonda, manual del operador

TABLE OF CONTENTS

- General Power Tool Safety Warnings.....2-3
- Compact Router Safety Warnings..... 3
- Symbols..... 4
- Features..... 4
- Assembly..... 5
- Operation.....6-9
- Maintenance..... 9
- Illustrations 11-13
- Parts Ordering/ServiceBack page

TABLE DES MATIÈRES

- Avertissements de sécurité générales relatives aux outils électriques.....2-3
- Avertissements de sécurité relatifs toupie compacte 3
- Symboles..... 4
- Caractéristiques 4
- Assemblage..... 5
- Utilisation.....6-9
- Entretien 10
- Illustrations 11-13
- Commande de pièces/dépannagePage arrière

ÍNDICE DE CONTENIDO

- Advertencias de seguridad generales para la herramienta eléctrica2-3
- Advertencias de seguridad de tupi compacto 3
- Símbolos 4
- Características 4
- Armado..... 5
- Funcionamiento.....6-9
- Mantenimiento..... 10
- Ilustraciones 11-13
- Pedidos de repuestos/servicio Pág. posterior

⚠ WARNING:
 To reduce the risk of injury, the user must read and understand the operator's manual before using this product.

⚠ AVERTISSEMENT :
 Pour réduire les risques de blessures, l'utilisateur doit lire et veiller à bien comprendre le manuel d'utilisation avant d'utiliser ce produit.

⚠ ADVERTENCIA:
 Para reducir el riesgo de lesiones, el usuario debe leer y comprender el manual del operador antes de usar este producto.

**SAVE THIS MANUAL
 FOR FUTURE REFERENCE**

**CONSERVER CE MANUEL
 POUR FUTURE RÉFÉRENCE**

**GUARDE ESTE MANUAL
 PARA FUTURAS CONSULTAS**

GENERAL POWER TOOL SAFETY WARNINGS

WARNING

Read all safety warnings and all instructions. Failure to follow the warnings and instructions may result in electric shock, fire and/or serious injury.

Save all warnings and instructions for future reference. The term “power tool” in the warnings refers to your mains-operated (corded) power tool or battery-operated (cordless) power tool.

WORK AREA SAFETY

- **Keep work area clean and well lit.** Cluttered or dark areas invite accidents.
- **Do not operate power tools in explosive atmospheres, such as in the presence of flammable liquids, gases or dust.** Power tools create sparks which may ignite the dust or fumes.
- **Keep children and bystanders away while operating a power tool.** Distractions can cause you to lose control.

ELECTRICAL SAFETY

- **Power tool plugs must match the outlet. Never modify the plug in any way. Do not use any adapter plugs with earthed (grounded) power tools.** Unmodified plugs and matching outlets will reduce risk of electric shock.
- **Avoid body contact with earthed or grounded surfaces such as pipes, radiators, ranges and refrigerators.** There is an increased risk of electric shock if your body is earthed or grounded.
- **Do not expose power tools to rain or wet conditions.** Water entering a power tool will increase the risk of electric shock.
- **Do not abuse the cord. Never use the cord for carrying, pulling or unplugging the power tool. Keep cord away from heat, oil, sharp edges or moving parts.** Damaged or entangled cords increase the risk of electric shock.
- **When operating a power tool outdoors, use an extension cord suitable for outdoor use.** Use of a cord suitable for outdoor use reduces the risk of electric shock.
- **If operating a power tool in a damp location is unavoidable, use a ground fault circuit interrupter (GFCI) protected supply.** Use of a GFCI reduces the risk of electric shock.
- **Use battery only with charger listed. For use with 18V nickel-cadmium and 18V lithium-ion battery packs, see tool/appliance/battery pack/charger correlation supplement 988000-302.**

PERSONAL SAFETY

- **Stay alert, watch what you are doing and use common sense when operating a power tool. Do not use a power tool while you are tired or under the influence of drugs, alcohol or medication.** A moment of inattention while operating power tools may result in serious personal injury.
- **Use personal protective equipment. Always wear eye**

protection. Protective equipment such as dust mask, non-skid safety shoes, hard hat, or hearing protection used for appropriate conditions will reduce personal injuries.

- **Prevent unintentional starting. Ensure the switch is in the off-position before connecting to power source and/or battery pack, picking up or carrying the tool.** Carrying power tools with your finger on the switch or energising power tools that have the switch on invites accidents.
- **Remove any adjusting key or wrench before turning the power tool on.** A wrench or a key left attached to a rotating part of the power tool may result in personal injury.
- **Do not overreach. Keep proper footing and balance at all times.** This enables better control of the power tool in unexpected situations.
- **Dress properly. Do not wear loose clothing or jewellery. Keep your hair, clothing and gloves away from moving parts.** Loose clothes, jewellery or long hair can be caught in moving parts.
- **If devices are provided for the connection of dust extraction and collection facilities, ensure these are connected and properly used.** Use of dust collection can reduce dust-related hazards.
- **Do not wear loose clothing or jewelry. Contain long hair.** Loose clothes, jewelry, or long hair can be drawn into air vents.
- **Do not use on a ladder or unstable support.** Stable footing on a solid surface enables better control of the power tool in unexpected situations.

POWER TOOL USE AND CARE

- **Do not force the power tool. Use the correct power tool for your application.** The correct power tool will do the job better and safer at the rate for which it was designed.
- **Do not use the power tool if the switch does not turn it on and off.** Any power tool that cannot be controlled with the switch is dangerous and must be repaired.
- **Disconnect the plug from the power source and/or the battery pack from the power tool before making any adjustments, changing accessories, or storing power tools.** Such preventive safety measures reduce the risk of starting the power tool accidentally.
- **Store idle power tools out of the reach of children and do not allow persons unfamiliar with the power tool or these instructions to operate the power tool.** Power tools are dangerous in the hands of untrained users.
- **Maintain power tools. Check for misalignment or binding of moving parts, breakage of parts and any other condition that may affect the power tool's operation. If damaged, have the power tool repaired before use.** Many accidents are caused by poorly maintained power tools.
- **Keep cutting tools sharp and clean.** Properly maintained cutting tools with sharp cutting edges are less likely to bind and are easier to control.
- **Use the power tool, accessories and tool bits etc.**

GENERAL POWER TOOL SAFETY WARNINGS

in accordance with these instructions, taking into account the working conditions and the work to be performed. Use of the power tool for operations different from those intended could result in a hazardous situation.

BATTERY TOOL USE AND CARE

- **Recharge only with the charger specified by the manufacturer.** A charger that is suitable for one type of battery pack may create a risk of fire when used with another battery pack.
- **Use power tools only with specifically designated battery packs.** Use of any other battery packs may create a risk of injury and fire.
- **When battery pack is not in use, keep it away from other metal objects, like paper clips, coins, keys, nails, screws or other small metal objects, that can make a connection from one terminal to another.** Shorting the battery terminals together may cause burns or a fire.

- **Under abusive conditions, liquid may be ejected from the battery; avoid contact. If contact accidentally occurs, flush with water. If liquid contacts eyes, additionally seek medical help.** Liquid ejected from the battery may cause irritation or burns.

SERVICE

- **Have your power tool serviced by a qualified repair person using only identical replacement parts.** This will ensure that the safety of the power tool is maintained.
- **When servicing a power tool, use only identical replacement parts. Follow instructions in the Maintenance section of this manual.** Use of unauthorized parts or failure to follow Maintenance instructions may create a risk of shock or injury.




COMPACT ROUTER SAFETY WARNINGS

- **Use clamps or another practical way to secure and support the workpiece to a stable platform.** Holding the work by your hand or against the body leaves it unstable and may lead to loss of control.
- **Hold power tool by insulated gripping surfaces, when performing an operation where the cutting accessory may contact hidden wiring.** Cutting accessory contacting a “live” wire may make exposed metal parts of the power tool “live” and could give the operator an electric shock.
- **Know your power tool. Read operator’s manual carefully. Learn its applications and limitations, as well as the specific potential hazards related to this power tool.** Following this rule will reduce the risk of electric shock, fire, or serious injury.
- **Always wear eye protection with side shields marked to comply with ANSI Z87.1 when assembling parts, operating the tool, or performing maintenance.** Following this rule will reduce the risk of serious personal injury.
- **Protect your lungs. Wear a face or dust mask if the operation is dusty.** Following this rule will reduce the risk of serious personal injury.
- **Protect your hearing. Wear hearing protection during extended periods of operation.** Following this rule will reduce the risk of serious personal injury.
- **Battery tools do not have to be plugged into an electrical outlet; therefore, they are always in operating condition. Be aware of possible hazards when not using your battery tool or when changing accessories.** Following this rule will reduce the risk of electric shock, fire, or serious personal injury.






- **Do not place battery tools or their batteries near fire or heat.** This will reduce the risk of explosion and possibly injury.
- **Do not crush, drop or damage battery pack. Do not use a battery pack or charger that has been dropped or received a sharp blow.** A damaged battery is subject to explosion. Properly dispose of a dropped or damaged battery immediately.
- **Batteries can explode in the presence of a source of ignition, such as a pilot light.** To reduce the risk of serious personal injury, never use any cordless product in the presence of open flame. An exploded battery can propel debris and chemicals. If exposed, flush with water immediately.
- **Do not charge battery tool in a damp or wet location.** Following this rule will reduce the risk of electric shock.
- **For best results, your battery tool should be charged in a location where the temperature is more than 50°F but less than 100°F.** To reduce the risk of serious personal injury, do not store outside or in vehicles.
- **Under extreme usage or temperature conditions, battery leakage may occur. If liquid comes in contact with your skin, wash immediately with soap and water. If liquid gets into your eyes, flush them with clean water for at least 10 minutes, then seek immediate medical attention.** Following this rule will reduce the risk of serious personal injury.
- **Save these instructions.** Refer to them frequently and use them to instruct others who may use this tool. If you loan someone this tool, loan them these instructions also.

SYMBOLS

The following signal words and meanings are intended to explain the levels of risk associated with this product.

SYMBOL	SIGNAL	MEANING
	DANGER:	Indicates a hazardous situation, which, if not avoided, will result in death or serious injury.
	WARNING:	Indicates a hazardous situation, which, if not avoided, could result in death or serious injury.
	CAUTION:	Indicates a hazardous situation, that, if not avoided, may result in minor or moderate injury.
	NOTICE:	(Without Safety Alert Symbol) Indicates information considered important, but not related to a potential injury (e.g. messages relating to property damage).

Some of the following symbols may be used on this product. Please study them and learn their meaning. Proper interpretation of these symbols will allow you to operate the product better and safer.

SYMBOL	NAME	DESIGNATION/EXPLANATION
	Safety Alert	Indicates a potential personal injury hazard.
	Read Operator's Manual	To reduce the risk of injury, user must read and understand operator's manual before using this product.
	Eye Protection	Always wear eye protection with side shields marked to comply with ANSI Z87.1 when operating this equipment.
	Wet Conditions Alert	Do not expose to rain or use in damp locations.
	Recycle Symbols	This product uses nickel-cadmium (Ni-Cd) and lithium-ion (Li-ion) batteries. Local, state, or federal laws may prohibit disposal of batteries in ordinary trash. Consult your local waste authority for information regarding available recycling and/or disposal options.
V	Volts	Voltage
min	Minutes	Time
==	Direct Current	Type or a characteristic of current
n_0	No Load Speed	Rotational speed, at no load
.../min	Per Minute	Revolutions, strokes, surface speed, orbits etc., per minute

FEATURES

PRODUCT SPECIFICATIONS

Collet..... 1/4 in.
 No Load Speed..... 17,000-25,000 r/min.

ASSEMBLY

UNPACKING

This product requires assembly.

- Carefully remove the tool and any accessories from the box. All items listed in the **Includes** section must be included at the time of purchase.

WARNING:

Items in this *Assembly* section are not assembled to the product by the manufacturer and require customer installation. Use of a product that may have been improperly assembled could result in serious personal injury.

-
- If any parts are damaged or missing, please call 1-866-539-1710 for assistance.

WARNING:

If any parts are damaged or missing do not operate this product until the parts are replaced. Use of this product with damaged or missing parts could result in serious personal injury.

WARNING:

Do not attempt to modify this product or create accessories or attachments not recommended for use with this product. Any such alteration or modification is misuse and could result in a hazardous condition leading to possible serious personal injury.

REMOVING THE BASE

See Figure 1, page 11.

- Remove the battery pack.
- Pull the quick release lever to the open position.
- Get a firm grasp of the base with one hand. Hold the overmolded grip area on the motor housing with the other.
- Depress the motor release lever completely. Then pull the motor housing away from the base until they separate.

To connect the motor housing to the base:

- Depress the motor release lever completely.
- Align the motor housing with the base and push the motor housing onto the base.

NOTE: This may require some force to overcome the motor retention spring.

- Release the motor release lever and close the quick release lever.

WARNING:

If you are changing a bit immediately after use, do not touch the collet nut, bit, or collet with your hands or fingers as they may be hot. Always use the wrench provided to avoid getting burned.

INSTALLING AND REMOVING BITS

See Figure 2, page 11.

- Remove the battery pack.
- Pull the quick release lever to the open position.
- Depress the motor release lever and move the base to provide clear access to the collet nut. It is not necessary to remove the base.
- Depress the spindle lock button and rotate spindle until the spindle locks.
- Rotate the wrench counterclockwise to loosen the collet nut. The collet is machined to precision tolerances to fit bits with 1/4 in. diameter shanks.
- If installing the bit for the first time, it can be installed once the collet nut is loose. If changing bits, the bit will easily slip from the collet after loosening the collet nut.

NOTE: The tip of the bit has a protective wax coating that must be removed before first-time use. Simply peel off the wax coating and be sure that all traces of wax are removed before using the router.

WARNING:

Bit end is sharp. Be careful when removing wax to prevent injury.

-
- Insert the shank of the bit into the collet until it touches the bottom, then pull it out approximately 1/16 in. This allows for expansion when the bit gets hot.
 - Tighten collet nut securely, by rotating it clockwise, using large end of wrench.

NOTE: You may also lock the shaft for bit changes by using the narrow end of the wrench. The narrow slot will fit onto the flats on the shaft above the collet nut.

WARNING:

If the collet nut is not tightened securely, the bit could come out during use, resulting in possible serious personal injury.

-
- Depress the motor release lever and return the base back to an operating position.
 - Push the quick release lever to the closed position.

OPERATION

WARNING:

Do not allow familiarity with this product to make you careless. Remember that a careless fraction of a second is sufficient to inflict serious injury.

WARNING:

Always remove battery pack from the tool when you are assembling parts, making adjustments, cleaning, or when not in use. Removing battery pack will prevent accidental starting that could cause serious personal injury.

WARNING:

Always wear eye protection with side shields marked to comply with ANSI Z87.1. Failure to do so could result in objects being thrown into your eyes and other possible serious injuries.

WARNING:

Do not use any attachments or accessories not recommended by the manufacturer of this product. The use of attachments or accessories not recommended can result in serious personal injury.

APPLICATIONS

You may use this tool for the purposes listed below:

- Smooth, professional trimming of laminates
- Trimming counter tops and finishing cabinet work
- Trimming wood and plastics
- Edge shaping

INSTALLING/REMOVING BATTERY PACK

See Figure 3, page 11.

To install:

- Insert the battery pack into the tool.
- Make sure the latches on each side of the battery pack snap into place and the battery pack is secured in the product before beginning operation.

To remove:

- Depress the latches on each side of the battery pack.

For complete charging instructions, see the operator's manuals for your battery pack and charger.

TURNING THE COMPACT ROUTER ON/OFF

See Figure 4, page 12.

- To turn the router ON, pull the slide switch to the **(I) ON** position.

NOTE: The router has a soft start feature. The router will start at a slow speed and gradually get up to the speed set by the adjustable speed dial.

- To turn the router OFF, push the slide switch to the **(O) OFF** position.
-

WARNING:

The bit will continue to spin after the router is turned off. Wait for the bit to come to a complete stop to continue operation. Failure to do so could result in possible serious injury.

ADJUSTING THE SPEED

See Figure 5, page 12.

The variable speed dial is located on the front of the motor housing. The speed is adjustable from 17,000 r/min to 25,000 r/min.

- Rotate the dial to higher numbers to increase speed.
- Rotate the dial to lower numbers to decrease speed.

OPERATING THE COMPACT ROUTER

See Figure 6, page 12.

Before starting the router, make sure the bit is securely tightened in the collet and that the depth of cut is properly set. See **Setting Depth of Cut** later in this manual. Never start the router while the bit is in contact with the workpiece.

After completing a cut, pull the bit slightly away from the cut surface. Turn the router off and wait for the rotating bit to completely stop before removing the base from the work surface.

When cutting, fit the base of the router over the work surface and firmly hold the body of the router as shown. Make sure the router is running at full speed before contacting the workpiece.

WARNING:

Avoid hand positions that may expose fingers to bit through open areas of router base. Fingers entering the opening in the router base can be seriously cut or burned.

OPERATION

WARNING:

Never install a trim bit in this router with a diameter larger than the opening in the subbase. The use of larger bits can result in loss of control and possible serious personal injury.

WARNING:

Never use a trim bit in this router which is rated at less than 25,000 r/min. Doing so could result in serious personal injury.

WARNING:

Always use the base for laminate trimming. Use of the router without a base or using the incorrect base can result in serious personal injury.

DIRECTION OF FEED AND THRUST

See Figures 7 - 8, page 12.

The router motor and bit revolve in a clockwise direction. This gives the tool a slight tendency to twist in your hands in a counterclockwise direction, especially when the motor starts.

Feed the router into the workpiece from left to right. When fed from left to right, the rotation of the bit pulls the router against the workpiece. If fed in the opposite direction, the rotation forces of the spinning bit will tend to throw the router away from the workpiece, causing kickback. This could result in loss of control of the router.

Because of the extremely high speed of bit rotation during a proper feeding operation, there is very little kickback under normal conditions. However, if the bit strikes a knot, hard grain, foreign object, etc., this will affect the normal progress of the cutting action, possibly causing a slight kickback. Kickback could be sufficient to spoil the trueness of your cut if you are not prepared. Such a kickback is always in the direction opposite the direction of bit rotation.

To guard against kickback, plan your setup and direction of feed so that you will always be thrusting the tool—to hold it against whatever you are using to guide the cut—in the same direction that the leading edge of the bit is moving. The thrust should be in a direction that keeps the sharp edges of the bit continuously biting straight into new (uncut) wood.

PROPER RATE OF FEED

Professional trimming and edge shaping depend upon careful set-up and selecting the proper rate of feed.

The proper rate of feed is dependent upon:

- the hardness and moisture content of the workpiece
- the depth of cut
- the cutting diameter of the bit.

When cutting shallow grooves in soft woods such as pine, use a faster rate of feed.

When making cuts in hardwoods such as oak, use a slower rate of feed.

Several factors will help you select the proper rate of feed.

- Choose a rate that does not slow down the router motor.
- Choose the rate at which the bit advances firmly and surely to produce a continuous spiral of uniform chips or a smooth trim edge on laminate.
- Listen to the sound of the router motor. A high-pitched sound means you are feeding too slowly. A strained, lower-pitched sound signals force-feeding.
- Check the progress of each cut. Too-slow feeding can cause the router to take off in a wrong direction from the intended line of cut. Force-feeding increases the strain of holding the tool and results in loss of speed.
- Notice the chips being produced as you cut. If the router is fed too slowly, it will scorch or burn the wood. If the router is fed too fast, it will take large chips out of the wood and leave gouge marks.

Always test a cut on a scrap piece of the workpiece wood or laminate before you begin. Always grasp and hold the router firmly when trimming.

If you are making a small-diameter, shallow groove in soft, dry wood, the proper feed rate may be determined by the speed at which you can travel the router along the guide line. If the bit is a large one, the cut is deep, or the workpiece is hard to cut, the proper feed may be a very slow one. A cross-grain cut may require a slower pace than an identical with-grain cut in the same workpiece.

There is no fixed rule. Proper rate of feed is learned through practice and use.

OPERATION

TOO SLOW FEEDING

See Figure 9, page 12.

When the router is advanced into the work too slowly, the revolving bit does not dig into new wood fast enough to take a bite; instead, it scrapes away sawdust-like particles. Scraping produces heat, which can glaze, burn, or mar the cut, and can overheat the bit. Dull bits can also contribute to scraping and burning.

It is more difficult to control a router when the bit is scraping instead of cutting. With practically no load on the motor, the bit will be revolving near top RPM, and will have a greater than normal tendency to bounce off the sides of the cut, especially if the wood has a pronounced grain with hard and soft areas. The cut that results may have rippled sides instead of straight.

FORCE FEEDING

See Figure 9, page 12.

The router is an extremely high-speed tool (17,000-25,000 r/min.), and will make clean, smooth cuts if allowed to run freely without the overload of a forced feed. Three things that cause force feeding are bit size, depth of cut, and workpiece characteristics. The larger the bit or the deeper the cut, the more slowly the router should be moved forward. If the wood is very hard, knotty, gummy or damp, the operation must be slowed still more.

Clean, smooth laminate trimming and edge shaping can be done only when the bit is revolving at a relatively high speed and is taking very small bites to produce tiny, cleanly-severed chips. If the router is forced to move forward too fast, the speed of the bit becomes slower than normal in relation to its forward movement. As a result, the bit must take bigger bites as it revolves. Bigger bites mean bigger chips and a rougher finish. Bigger chips also require more power, which could result in overloading the motor.

Under extreme force-feeding conditions, the relative speed of the bit can become so slow—and the bites it has to take so large—that chips will be partially knocked off rather than fully cut off. This will result in splintering and gouging of the workpiece.

DEPTH OF CUT

See Figure 10, page 12.

Depth of cut affects the rate of feed and the quality of a cut. Using the proper depth of cut can lessen the possibility of damage to the router motor and bit.

A deeper cut requires a slower feed than a shallow one. Making a cut that is too deep will slow the feed so that the bit is scraping, rather than cutting, and is not recommended.

A too-deep cut can cause smaller bits to be broken off. Bits that are 1/16 in. in diameter are easily broken off when subjected to too much side thrust. A larger bit is not as likely

to break, but attempting a cut that is too deep may result in a rough cut, and may make it difficult to guide and control the bit as desired.

It is recommended that you do not exceed 1/8 in. depth of cut in a single pass, regardless of the bit size or the softness or condition of the workpiece. This will result in a higher quality cut.

To make deeper cuts, it is necessary to make as many successive passes as required, lowering the bit 1/8 in. for each new pass. To save time, perform all the cutting necessary at one depth setting, then lower the bit for the next pass. This will assure uniform depth when the final pass is completed.

WARNING:

If the desired depth of cut is greater than can be safely cut in one pass, make cuts in two or more passes. Do not remove more than 1/8 in. in a single pass. Excessive depth of cut can result in loss of control and the possibility of serious personal injury.

SETTING DEPTH OF CUT

See Figure 11, page 13.

- Remove the battery pack.
- Pull the quick release lever to the open position to free the motor housing in the base.
- Depress and hold the motor release lever.

NOTE: Large depth of cut adjustments can be made using the motor release lever and positioning the motor housing by moving it in the base by hand.

- With the desired bit installed into the collet and tightened securely, slide the motor housing section of the router upward in the base until the tip of the bit is just above the work surface (bottom surface of subbase) by 1/4 in. minimum. Release the motor release lever once the bit is positioned above the work surface.
- Turn the micro depth adjustment knob slowly clockwise to lower the bit slowly towards the work surface. The depth of cut is considered “zero” when the bit just touches the work surface.

NOTE: To set the zero reset function to zero while the bit is at zero depth, hold the micro depth adjustment knob in place and rotate the zero reset function ring until it reads “0”.

NOTE: One full revolution of the micro depth adjust knob moves the router housing 1/16 in.

- Remove the router from the work surface.
- Using the micro depth adjustment knob, adjust the position of the bit to obtain the desired depth of cut. To move the bit down, turn the micro depth adjustment knob toward the down indicator arrow to the side of the knob.
- Always observe the 1/8 in. MAX depth of cut per pass rule when cutting.

OPERATION

NOTE: A reference depth scale is located on the motor housing which can be used to measure depth of cut. Each mark on the scale indicates a 1/16 in. change in depth setting. Use the top edge of the removable base as reference when setting depth of cut.

 **WARNING:**

Avoid open area of router base. Serious personal injury will result from contact with a rotating bit.

USING EDGE GUIDE

See Figures 12 - 13, page 13.

Use the edge guide to trim or cut a straight or curved edge.

- Remove the battery pack.
- Thread guide bars into the base and tighten with a flat head screwdriver.
- Slide the edge guide onto the guide bars.
- Install thumb screws provided into the edge guide.
- Measure the proper distance to offset the bit, or if trimming, position the bit at the edge of the workpiece.

MAINTENANCE

 **WARNING:**

When servicing, use only identical replacement parts. Use of any other part could create a hazard or cause product damage.

 **WARNING:**

Always wear eye protection with side shields marked to comply with ANSI Z87.1. Failure to do so could result in objects being thrown into your eyes and other possible serious injuries.

 **WARNING:**

To avoid serious personal injury, always remove the battery pack from the tool when cleaning, performing any maintenance, or when storing the tool.

- Tighten the two thumb screws to secure the edge guide.
- Reinstall the battery pack.
- Move the router along the workpiece keeping the edge guide in constant contact with edge of the workpiece.

ATTACHING THE ROUND SUBBASE

See Figure 14, page 13.

- Remove the battery pack.
 - Turn the router upside down to remove the four subbase screws and the square subbase.
 - Attach the round subbase using the same screws.
 - Tighten the screws securely. Do not over tighten.
-

 **WARNING:**

Always use the base for laminate trimming. Use of the router without a base or using the incorrect base can result in serious personal injury.

GENERAL MAINTENANCE

Avoid using solvents when cleaning plastic parts. Most plastics are susceptible to damage from various types of commercial solvents and can be damaged by their use. Use clean cloths to remove dirt, dust, oil, grease, etc.

 **WARNING:**

Do not at any time let brake fluids, gasoline, petroleum-based products, penetrating oils, etc., come in contact with plastic parts. Chemicals can damage, weaken or destroy plastic which could result in serious personal injury.

 **WARNING:**

This product and some dust created by power cord, sawing, grinding, drilling, and other construction activities may contain chemicals, including lead, known to the State of California to cause cancer, birth defects, or other reproductive harm. ***Wash hands after handling.***

Some examples of these chemicals are:

- lead from lead-based paints,
- crystalline silica from bricks and cement and other masonry products and,
- arsenic and chromium from chemically treated lumber.

Your risk from exposure to these chemicals varies, depending on how often you do this type of work. To reduce your exposure, work in a well-ventilated area and with approved safety equipment, such as dust masks that are specially designed to filter out microscopic particles.

**NOTE: ILLUSTRATIONS START ON PAGE 11
AFTER FRENCH AND SPANISH LANGUAGE SECTIONS.**

**This product has a 90-Day Satisfaction Guarantee Policy,
as well as a Three-year Limited Warranty.**

**For Warranty and Policy details, please go to
www.RIDGID.com or call (toll free) 1-866-539-1710.**

AVERTISSEMENTS DE SÉCURITÉ GÉNÉRALES RELATIVES AUX OUTILS ÉLECTRIQUES

AVERTISSEMENT

Lire tous les avertissements et toutes les instructions. Ne pas suivre l'ensemble des avertissements et des instructions peut entraîner une électrocution, un incendie ou des blessures graves.

Conserver les avertissements et les instructions à des fins de référence ultérieure. Le terme « outil motorisé », utilisé dans tous les avertissements ci-dessous désigne tout outil fonctionnant sur secteur (câblé) ou sur piles (sans fil).

SÉCURITÉ DU LIEU DE TRAVAIL

- **Garder le lieu de travail propre et bien éclairé.** Les endroits encombrés ou sombres sont propices aux accidents.
- **Ne pas utiliser d'outils électriques dans des atmosphères explosives, par exemple en présence de liquides, gaz ou poussières inflammables.** Les outils électriques produisent des étincelles risquant d'enflammer les poussières ou vapeurs.
- **Garder les enfants et badauds à l'écart pendant l'utilisation d'un outil électrique.** Les distractions peuvent causer une perte de contrôle.

SÉCURITÉ ÉLECTRIQUE

- **Les fiches des outils électriques doivent correspondre à la prise secteur utilisée. Ne jamais modifier la fiche, de quelque façon que ce soit. Ne jamais utiliser d'adaptateurs de fiche avec des outils mis à la terre.** Les fiches et prises non modifiées réduisent le risque de choc électrique.
- **Éviter tout contact du corps avec des surfaces mises à la terre, telles que tuyaux, radiateurs, cuisinières et réfrigérateurs.** Le risque de choc électrique est accru lorsque le corps est mis à la terre.
- **Ne pas exposer les outils électriques à l'eau ou l'humidité.** La pénétration d'eau dans ces outils accroît le risque de choc électrique.
- **Ne pas maltraiter le cordon d'alimentation. Ne jamais utiliser le cordon d'alimentation pour transporter l'outil et ne jamais débrancher ce dernier en tirant sur le cordon. Garder le cordon à l'écart de la chaleur, de l'huile, des objets tranchants et des pièces en mouvement.** Un cordon endommagé ou emmêlé accroît le risque de choc électrique.
- **Pour les travaux à l'extérieur, utiliser un cordon spécialement conçu à cet effet.** Utiliser un cordon conçu pour l'usage extérieur pour réduire les risques de choc électrique.
- **S'il est nécessaire d'utiliser l'outil électrique dans un endroit humide, employer un dispositif interrupteur de défaut à la terre (GFCI).** L'utilisation d'un GFCI réduit le risque de décharge électrique.
- **Ne recharger les piles qu'avec l'appareil indiqué.** Pour utiliser l'appareil avec des piles au nickel-cadmium et au lithium-ion de 18 V, consulter le supplément de raccordement pour chargeur/outils/piles/appareil n° 988000-302.

SÉCURITÉ PERSONNELLE

- **Rester attentif, prêter attention au travail et faire preuve de bon sens lors de l'utilisation de tout outil électrique. Ne pas utiliser cet outil en état de fatigue ou sous l'influence de l'alcool, de drogues ou de médicaments.** Un moment d'inattention pendant l'utilisation d'un outil électrique peut entraîner des blessures graves.

- **Utiliser l'équipement de sécurité. Toujours porter une protection oculaire.** L'équipement de sécurité, tel qu'un masque filtrant, de chaussures de sécurité, d'un casque ou d'une protection auditive, utilisé dans des conditions appropriées réduira le risque de blessures.
- **Éviter les démarrages accidentels. S'assurer que le commutateur est en position d'arrêt avant de brancher l'outil.** Porter un outil avec le doigt sur son commutateur ou brancher un outil dont le commutateur est en position de marche peut causer un accident.
- **Retirer les clés de réglage avant de mettre l'outil en marche.** Une clé laissée sur une pièce rotative de l'outil peut causer des blessures.
- **Ne pas travailler hors de portée. Toujours se tenir bien campé et en équilibre.** Ceci permettra de mieux contrôler l'outil en cas de situation imprévue.
- **Porter une tenue appropriée. Ne porter ni vêtements amples, ni bijoux. Garder les cheveux, les vêtements et les gants à l'écart des pièces en mouvement.** Les vêtements amples, bijoux et cheveux longs peuvent se prendre dans les pièces en mouvement.
- **Si les outils sont équipés de dispositifs de dépoussiérage, s'assurer qu'ils sont connectés et correctement utilisés.** L'usage de ces dispositifs de dépoussiérage peut réduire les dangers présentés par la poussière.
- **Ne porter ni vêtements amples, ni bijoux. Attacher ou couvrir les cheveux longs.** Les vêtements amples, bijoux et cheveux longs peuvent se prendre dans les ouïes d'aération.
- **Ne pas utiliser l'outil sur une échelle ou un support instable.** Une bonne tenue et un bon équilibre permettent de mieux contrôler l'outil en cas de situation imprévue.

UTILISATION ET ENTRETIEN DES OUTILS ÉLECTRIQUES

- **Ne pas forcer l'outil. Utiliser l'outil approprié pour l'application.** Un outil approprié exécutera le travail mieux et de façon moins dangereuse s'il est utilisé dans les limites prévues.
- **Ne pas utiliser l'outil si le commutateur ne permet pas de le mettre en marche ou de l'arrêter.** Tout outil qui ne peut pas être contrôlé par son commutateur est dangereux et doit être réparé.
- **Débrancher l'outil et/ou retirer le bloc-piles avant d'effectuer des réglages, de changer d'accessoire ou de remiser l'outil.** Ces mesures de sécurité préventives réduisent les risques de démarrage accidentel de l'outil.
- **Ranger les outils motorisés hors de la portée des enfants et ne laisser personne n'étant pas familiarisé avec l'outil ou ces instructions utiliser l'outil.** Dans les mains de personnes n'ayant pas reçu des instructions adéquates, les outils sont dangereux.
- **Entretien des outils motorisés. Vérifier qu'aucune pièce mobile n'est mal alignée ou bloquée, qu'aucune pièce n'est brisée et s'assurer qu'aucun autre problème ne risque d'affecter le bon fonctionnement de l'outil. En cas de dommages faire réparer l'outil avant de l'utiliser de nouveau.** Beaucoup d'accidents sont causés par des outils mal entretenus.
- **Garder les outils bien affûtés et propres.** Des outils correctement entretenus et dont les tranchants sont bien affûtés risquent moins de se bloquer et sont plus faciles à contrôler.

AVERTISSEMENTS DE SÉCURITÉ GÉNÉRALES RELATIVES AUX OUTILS ÉLECTRIQUES

- Utiliser l'outil, les accessoires et embouts, etc. conformément à ces instructions pour les applications pour lesquelles ils sont conçus, en tenant compte des conditions et du type de travail à exécuter. L'usage d'un outil motorisé pour des applications pour lesquelles il n'est pas conçu peut être dangereux.

UTILISATION ET ENTRETIEN DE LA PILE

- Ne recharger qu'avec l'appareil spécifié par le fabricant. Un chargeur approprié pour un type de pile peut créer un risque d'incendie s'il est utilisé avec un autre type de pile.
- Utiliser exclusivement le bloc-pile spécifiquement indiqué pour l'outil. L'usage de tout autre bloc peut créer un risque de blessures et d'incendie.
- Lorsque le bloc-piles n'est pas en usage, le garder à l'écart d'articles tels qu'attaches trombones, pièces de monnaie, clous, vis ou autres petits objets métalliques risquant d'établir le contact entre les deux bornes. La mise en court-circuit des bornes de piles peut causer des étincelles, des brûlures ou un incendie.

- En cas d'usage abusif, du liquide peut s'échapper des piles. Éviter tout contact avec ce liquide. En cas de contact accidentel, rincer immédiatement les parties atteintes avec de l'eau. En cas d'éclaboussure dans les yeux consulter un médecin. Le liquide s'échappant des piles peut causer des irritations ou des brûlures.

DÉPANNAGE

- Les réparations doivent être confiées à un technicien qualifié, utilisant exclusivement des pièces identiques à celles d'origine. Ceci assurera le maintien de la sécurité de l'outil.
- Utiliser exclusivement des pièces identiques à celles d'origine pour les réparations. Se conformer aux instructions de la section Entretien de ce manuel. L'usage de pièces non autorisées ou le non-respect des instructions peut présenter des risques de choc électrique ou de blessures.




AVERTISSEMENTS DE SÉCURITÉ RELATIFS TOUPIE COMPACTE

- Lorsque l'outil est utilisé pour un travail risquant de le mettre en contact avec des fils électriques cachés, le tenir par les surfaces de prise isolées. Le contact d'un accessoire de coupe avec un fil sous tension « électrifie » les pièces métalliques exposées de l'outil et peut électrocuter l'utilisateur.
- Apprendre à connaître l'outil. Lire attentivement le manuel d'utilisation. Apprendre les applications et les limites de l'outil, ainsi que les risques spécifiques relatifs à son utilisation. Le respect de cette consigne réduira les risques d'incendie, de choc électrique et de blessures graves.
- Toujours porter une protection oculaire munie d'écrans latéraux certifiée conforme à la norme ANSI Z87.1 lors du montage des pièces, du fonctionnement de l'outil ou au moment de l'entretien. Le respect de cette règle réduira les risques de blessures graves.
- Protection respiratoire. Porter un masque facial ou un masque antipoussière si le travail produit de la poussière. Le respect de cette consigne réduira les risques de blessures graves.
- Protection auditive. Porter une protection auditive lors de l'utilisation prolongée. Le respect de cette règle réduira les risques de blessures graves.
- Les outils fonctionnant sur piles n'ayant pas besoin d'être branchés sur une prise secteur, ils sont toujours en état de fonctionnement. Tenir compte des dangers possibles lorsque l'outil n'est pas en usage et lors du remplacement des piles. Le respect de cette consigne réduira les risques d'incendie, de choc électrique et de blessures graves.
- Ne pas placer les outils électriques sans fil ou leurs piles à proximité de flammes ou d'une source de chaleur. Ceci réduira les risques d'explosion et de blessures.






- Ne pas écraser, faire tomber ou endommager le bloc-piles. Ne jamais utiliser un bloc-piles ou un chargeur qui est tombé, a été écrasé, a reçu un choc violent ou a été endommagé de quelque façon que ce soit. Une pile endommagée risque d'exploser. Éliminer immédiatement toute pile endommagée, selon une méthode appropriée.
- Les piles peuvent exploser en présence d'une source d'allumage, telle qu'une veilleuse. Pour réduire les risques de blessures graves, ne jamais utiliser un appareil sans fil, quel qu'il soit, en présence d'une flamme vive. En explosant, une pile peut projeter des débris et des produits chimiques. En cas d'exposition, rincer immédiatement les parties atteintes avec de l'eau.
- Ne pas recharger un outil fonctionnant sur piles dans un endroit humide ou mouillé. Le respect de cette règle réduira les risques de choc électrique.
- Pour un résultat optimal, les piles de l'outil doivent être rechargées dans un local où la température est de 10 à 38 °C (50 à 100°F). Ne pas ranger l'outil à l'extérieur ou dans un véhicule.
- Si l'outil est utilisé de façon intensive ou sous des températures extrêmes, des fuites de pile peuvent se produire. En cas de contact du liquide avec la peau, rincer immédiatement la partie atteinte avec de l'eau. En cas d'éclaboussure dans les yeux, les rincer à l'eau fraîche pendant au moins 10 minutes, puis contacter immédiatement un médecin. Le respect de cette règle réduira les risques de blessures graves.
- Conserver ces instructions. Les consulter fréquemment et les utiliser pour instruire les autres utilisateurs éventuels. Si cet outil est prêté, il doit être accompagné de ces instructions.

SYMBOLES

Les termes de mise en garde suivants et leur signification ont pour but d'expliquer le degré de risques associé à l'utilisation de ce produit.

SYMBOLE	SIGNAL	SIGNIFICATION
	DANGER:	Indique une situation extrêmement dangereuse qui, si elle n'est pas évitée, aura pour conséquences des blessures graves ou mortelles.
	AVERTISSEMENT :	Indique une situation potentiellement dangereuse qui, si elle n'est pas évitée, pourrait entraîner des blessures graves ou mortelles.
	ATTENTION :	Indique une situation potentiellement dangereuse qui, si elle n'est pas évitée, pourrait entraîner des blessures légères ou de gravité modérée.
	AVIS :	(Sans symbole d'alerte de sécurité) Indique les informations jugées importantes sans toutefois représenter un risque de blessure (ex. : messages concernant les dommages matériels).

Certains des symboles ci-dessous peuvent être utilisés sur produit. Veiller à les étudier et à apprendre leur signification. Une interprétation correcte de ces symboles permettra d'utiliser produit plus efficacement et de réduire les risques.

SYMBOLE	NOM	DÉSIGNATION / EXPLICATION
	Symbole d'alerte de sécurité	Indique un risque de blessure potentiel.
	Lire le manuel d'utilisation	Pour réduire les risques de blessures, l'utilisateur doit lire et veiller à bien comprendre le manuel d'utilisation avant d'utiliser ce produit.
	Protection oculaire	Toujours porter une protection oculaire munie d'écrans latéraux certifiée conforme à la norme ANSI Z87.1, lors de l'utilisation de cet outil.
	Avertissement concernant l'humidité	Ne pas exposer à la pluie ou l'humidité.
	Symboles de recyclage	Ce produit utilise les piles de nickel-cadmium (Ni-Cd) ou lithium-ion (Li-ion). Les réglementations locales ou gouvernementales peuvent interdire de jeter les piles dans les ordures ménagères. Consulter les autorités locales compétentes pour les options de recyclage et/ou l'élimination.
V	Volts	Tension
min	Minutes	Temps
—	Courant continu	Type ou caractéristique du courant
n_0	Vitesse à vide	Vitesse de rotation à vide
.../min	Par minute	Tours, coups, vitesse périphérique, orbites, etc., par minute

CARACTÉRISTIQUES

FICHE TECHNIQUE

Collet6,35 mm (1/4 po)
 Vitesse à vide17 000 - 25 000 r/min

ASSEMBLAGE

DÉBALLAGE

Ce produit nécessite un assemblage.

- Avec précaution, sortir l'outil et les accessoires de la boîte. Tous les articles énumérés sous **Inclut** doivent se trouver dans l'emballage au moment de l'achat.

AVERTISSEMENT :

Certaines pièces figurant dans cette section Assemblage n'ont pas été installées sur le produit par le fabricant et exigent une installation du client. Le fait d'utiliser un produit qui a été assemblé de façon inadéquate peut entraîner des blessures.

-
- Si des pièces manquent ou sont endommagées, appeler le 1-866-539-1710.

AVERTISSEMENT :

Si des pièces manquent ou sont endommagées, ne pas utiliser cet outil avant qu'elles aient été remplacées. Le non-respect de cet avertissement pourrait entraîner des blessures graves.

AVERTISSEMENT :

Ne pas essayer de modifier cet outil ou de créer des accessoires non recommandés pour l'outil. De telles altérations ou modifications sont considérées comme un usage abusif et peuvent créer des conditions dangereuses, risquant d'entraîner des blessures graves.

ENLEVER LA BASE

Voir la figure 1, page 11.

- Retirer le bloc-piles.
- Tirer le levier de levier de dégagement rapide en position ouverte.
- Obtenir de la base avec d'une main. Tenir la prise surmoulée sur le boîtier du moteur avec l'autre.
- Enfoncer le levier de dégagement moteur. Ensuite, tirez sur le moteur hors de la base jusqu'à ce qu'ils se séparent.

Se connecter ensemble de moteur et la base:

- Enfoncer le levier de dégagement moteur.
- Aligner le ensemble de moteur avec la base et poussez la moteur sur le base.
NOTE : Cette mai exigent une certaine force pour vaincre le moteur ressort de retenue.
- Relâchement le levier de dégagement moteur et fermer levier de dégagement rapide.

AVERTISSEMENT :

Si le fer est changé immédiatement après avoir été utilisé, veiller à ne toucher ni le fer, ni le collet avec les doigts ou la main, car ces pièces peuvent être brûlantes. Toujours utiliser la clé fournie pour éviter des brûlures.

INSTALLATION/RETRAIT DES FERS

Voir la figure 2, page 11.

- Retirer le bloc-piles.
- Tirer le levier de levier de dégagement rapide en position ouverte.
- Enfoncer le levier de dégagement moteur et déplacer la base afin de s'assurer d'avoir un accès direct à l'écrou de mandrin. Il n'est pas nécessaire de retirer la base.
- Enfoncer le bouton de verrouillage de l'arbre et tourner la broche jusqu'à ce qu'elle se verrouille.
- Tourner la clé dans le sens antihoraire afin de desserrer l'écrou de mandrin. Le mandrin est usiné pour des tolérances de précision et fonctionne avec des couteaux dont les tiges ont 6,35 mm (1/4 po) de diamètre.
- Si le couteau est installé pour la première fois, il peut l'être une fois que l'écrou de mandrin est desserré. Si l'utilisateur change de couteaux, ceux-ci glisseront facilement du mandrin une fois l'écrou desserré.

NOTE : La pointe du couteau est dotée d'un revêtement protecteur de cire qui doit être retiré avant d'utiliser l'outil pour la première fois. Décoller simplement le revêtement de cire et s'assurer qu'il ne reste aucune trace de cire avant d'utiliser la toupie.

AVERTISSEMENT :

L'extrémité du fer est coupante. Soyez prudent lorsque vous retirez la cire pour éviter de vous blesser.

-
- Insérer la tige du couteau dans le mandrin jusqu'à ce qu'il atteigne le fond, puis le tirer vers l'extérieur d'environ 1,59 mm (1/16 po). Cela permet la dilatation lorsque le couteau se réchauffe.
 - Serrer solidement l'écrou de mandrin, le tourner dans le sens horaire afin de le serrer solidement, en utilisant la grande tête de la clé.

NOTE : Le manche peut aussi être verrouillé lors du changement des fers à l'aide de l'extrémité étroite de la clé. Le compartiment étroit s'installe sur la face plate du manche au-dessus de l'écrou de collet.

AVERTISSEMENT :

Si l'écrou du collet n'est pas fermement serré, le fer risque d'être éjecté en cours d'utilisation et peut entraîner des blessures graves.

-
- Enfoncer le levier de dégagement moteur et remettre la base en position d'utilisation.
 - Pousser de levier de dégagement rapide en position fermeture.

UTILISATION

AVERTISSEMENT :

Ne pas laisser la familiarité avec l'outil faire oublier la prudence. Ne pas oublier qu'une fraction de seconde d'inattention peut entraîner des blessures graves.

AVERTISSEMENT :

Toujours retirer la pile de l'outil au moment d'assembler des pièces, d'effectuer des réglages et de procéder au nettoyage, ou lorsque l'outil n'est pas utilisé. Le fait de retirer la batterie permet d'empêcher un démarrage accidentel pouvant entraîner des blessures graves.

AVERTISSEMENT :

Toujours porter une protection oculaire certifiée conforme à la norme ANSI Z87.1. Si cette précaution n'est pas prise, des objets peuvent être projetés dans les yeux et causer des lésions graves.

AVERTISSEMENT :

Ne pas utiliser d'outils ou accessoires non recommandés pour cet outil. L'utilisation de pièces et accessoires non recommandés peut entraîner des blessures graves.

APPLICATIONS

Cet outil peut être utilisé pour les applications ci-dessous :

- Rognage fin et professionnel des laminés
- Ébénisterie, rognage des dessus de comptoir et travaux de finition
- Rognage du bois et du plastique
- Profilage du bord

INSTALLATION/RETRAIT DU BLOC-PILES

Voir la figure 3, page 11.

Pour install :

- Installer le bloc-pile sur l'outil.
- S'assurer que ses deux loquets latéraux s'engagent correctement et vérifier que le bloc est solidement assujetti avant d'utiliser l'outil.

Pour retrait :

- Appuyer sur les loquets de chaque côté du bloc-pile.

Pour prendre connaissance des consignes de chargement, consulter le manuel d'utilisation des piles et des chargeurs.

MISE EN MARCHÉ ET ARRÊT DE TOUPIE

Voir la figure 4, page 11.

- Pour mettre la toupie en marche, tirer l'interrupteur coulissant vers la position **(I) ON**.

NOTE : Toupie est dotée d'un système de démarrage progressif. Elle démarre lentement et accélère progressivement jusqu'à la vitesse sélectionnée.

- Une fois le travail terminé, remettre le commutateur en position d'**ARRÊT (O)** (OFF).
-

AVERTISSEMENT :

Une fois le commutateur mis en position d'**ARRÊT**, le fer continue de tourner. Attendre l'arrêt complet du fer avant de continuer le travail. Le non-respect de cet avertissement peut entraîner des blessures graves.

RÉGLAGE DE LA VITESSE

Voir la figure 4, page 11.

La commande de vitesse variable est située sur le devant du boîtier du moteur. La vitesse se règle de 17 000 r/min à 25 000 r/min.

- Tourner la commande de vitesse vers les nombres supérieurs pour augmenter la vitesse.
 - Tourner la commande de vitesse vers les nombres inférieurs pour diminuer la vitesse.
-

UTILISATION DE TOUPIE

Voir la figure 6, page 12.

Avant de mettre l'outil en marche, s'assurer que le fer est bien serré dans le collet et que le réglage de profondeur de coupe est correct. Voir **Régler la profondeur de coupe** plus loin dans ce manuel. Ne jamais mettre l'outil en marche lorsque la lame est en contact avec la pièce à rogner.

Une fois le travail terminé, écarter légèrement le fer de la pièce. Arrêter toupie et attendre l'arrêt complet du fer avant de l'éloigner de la pièce.

Lors de la coupe, installer la base de la toupie au-dessus de la surface de travail et tenir fermement le corps de la toupie tel qu'illustré. S'assurer que le fer tourne à pleine vitesse avant de le mettre en contact avec la pièce à rogner.

AVERTISSEMENT :

Éviter les positions de mains risquant de mettre les doigts en contact avec le fer, au travers des ouvertures de la base. L'insertion des doigts dans les ouvertures de la base peut causer des coupures ou brûlures graves.

UTILISATION

AVERTISSEMENT :

Ne jamais installer de fer de finition avec un diamètre plus large que la surface de l'ouverture dans la sous-base avec cette toupie. L'usage de fers de plus grande taille peut causer une perte de contrôle et entraîner des blessures graves.

AVERTISSEMENT :

Ne jamais utiliser un fer de finition dont la vitesse nominale est de moins de 25 000 r/min sur cette rogneuse. Cela pourrait entraîner des blessures graves.

AVERTISSEMENT :

Toujours utiliser la base pour le rognage de laminés. L'utilisation de toupie sans la base ou avec la base incorrecte peut entraîner des blessures graves.

DIRECTION D'ENGAGEMENT

Voir les figures 7 et 8, page 12.

Le moteur de la toupie et la fraise tournent en sens horaire. Cela donne à l'outil une légère tendance à tourner en sens anti-horaire, en particulier pendant l'accélération du moteur.

L'outil doit être engagé sur la pièce de gauche à droite. Ainsi, le sens de rotation du fer tire l'outil contre la pièce usinée. Si toupie est engagée dans le sens contraire, la force de rotation du fer a tendance à projeter l'outil à l'écart de la pièce. Un rebond peut causer la perte de contrôle.

Étant donné la vitesse de rotation extrêmement élevée, il y a très peu de rebond lorsque l'avance est normale. Toutefois, si le fer heurte un noeud, un grain dur ou un objet étranger gênant la progression normale, un léger rebond peut se produire. Ce rebond suffit à affecter la précision de l'usinage si l'on n'y est pas préparé. Un tel rebond se produit toujours dans le sens inverse du sens de rotation du fer.

Pour éviter le rebond, planifier la configuration et le sens de l'avance - de manière à toujours pousser l'outil, afin de le maintenir contre le dispositif de guidage utilisé - c'est-à-dire dans le sens de rotation du fer. L'outil doit être poussé de façon que les tranchants du fer mordent continuellement dans du bois neuf (non coupé).

VITESSE D'ENGAGEMENT CORRECTE

Des résultats professionnels ne peuvent être obtenus qu'avec un réglage soigneux et une vitesse d'avance correcte.

La vitesse d'engagement à utiliser dépend de plusieurs facteurs :

- la dureté et la teneur en humidité de la pièce
- la profondeur de coupe
- le diamètre du fer

Pour la coupe de rainures peu profondes dans les bois tendres, tels que le pin, une vitesse élevée peut être utilisée. Pour les coupes profondes dans les bois durs, tels que le chêne, utiliser une vitesse d'avance plus basse.

Plusieurs facteurs contribuent au choix de la vitesse d'avance.

- La vitesse utilisée ne doit pas causer un ralentissement du moteur.
- La vitesse utilisée doit permettre au fer d'avancer fermement et de produire un copeau spirale continu, ou s'il s'agit d'un laminé, un bord lisse.
- Écouter le son produit par le moteur. Un son aigu signifie que l'avance est trop lente. Un son grave et étouffé signale un forçage de l'avance.
- Observer la progression de chaque taille. Une avance trop lente peut également causer la déviation de la toupie de la ligne de coupe prévue. Une avance forcée rend l'outil plus difficile à maintenir du fait de la perte de vitesse.
- Observer les copeaux produits par la coupe. Si l'outil avance trop lentement il entame ou brûle le bois. Si l'avance est trop rapide, le fer taille des copeaux de grande taille et laisse des marques dans le bois.

Toujours effectuer un essai sur une chute de bois ou de laminé avant de commencer le travail. Toujours saisir et maintenir fermement l'outil lors du travail.

Pour la taille d'une rainure étroite et peu profonde dans un bois tendre et sec, la vitesse d'avance correcte est la vitesse à laquelle toupie peut être déplacée contre la ligne guide. Si le fer est de grande taille, la rainure profonde ou la pièce difficile à couper, une basse vitesse peut être préférable. La taille contre le grain peut exiger une avance plus lente que la taille dans le sens du grain d'une même pièce.

Il n'y a pas de règle absolue. La vitesse d'avance correcte s'acquiert avec l'usage et l'expérience.

AVANCE TROP LENTE

Voir la figure 9, page 12.

Lorsque toupie est avancée trop lentement sur la pièce, le fer n'attaque pas le bois assez vite pour découper des copeaux, au lieu de cela, il racle de petites particules semblables à de la sciure. Le râpement produit de la chaleur, ce qui risque de vitrifier, de brûler ou d'abîmer le bois et de surchauffer le fer. Des fers émoussés peuvent également contribuer au raclage et au brûlage.

En outre, lorsque le fer râpe au lieu de couper, la toupie est plus difficile à contrôler. Lorsque la charge exercée sur le moteur est pratiquement nulle, le fer tourne à une vitesse proche du maximum et a une tendance beaucoup plus grande que la normale à rebondir sur la pièce (en particulier si le grain du bois est prononcé, avec des portions dures et tendres). De ce fait, la coupe peut être ondulée au lieu de droite.

UTILISATION

AVANCE FORCÉE

Voir la figure 9, page 12.

La vitesse de rotation de toupie étant extrêmement élevée (17 000 à 25 000 r/min), celle-ci effectuera des coupes nettes et lisses si elle tourne librement, sans être surchargée par une avance forcée. Les trois facteurs qui causent une avance forcée sont la taille du fer, la profondeur de coupe, et les caractéristiques de la pièce. Plus le fer est gros et plus la coupe est profonde, plus l'avance doit être lente. Si le bois est très dur, noueux, résineux ou humide, la vitesse d'avance doit être réduite encore davantage.

Un rognage propre et net ne peut être obtenu que lorsque le fer tourne à relativement haute vitesse et mord légèrement, produisant de petits copeaux, nettement taillés. Si toupie est poussée trop vite, la vitesse de rotation du fer par rapport à la vitesse d'avance devient inférieure à la normale. De ce fait, le fer découpe de plus gros copeaux. Plus les copeaux sont gros, plus la finition est grossière. En outre, la taille de plus gros copeaux exigeant davantage de puissance, le moteur de la toupie risque d'être surchargé.

Si la vitesse d'avance est forcée à l'extrême, la vitesse de rotation du fer est réduite au point que les copeaux sont si gros qu'ils sont partiellement arrachés au lieu d'être nettement coupés. Ceci cause l'éclatement et l'entaillage de la pièce.

PROFONDEUR DE COUPE

Voir la figure 10, page 12.

La profondeur de coupe affecte la vitesse d'avance et la qualité de la coupe. L'usage d'une profondeur de coupe correcte peut réduire les risques d'endommagement du moteur et du fer.

Une coupe plus profonde demande une avance plus lente qu'une coupe peu profonde. Une profondeur de coupe excessive ralentit l'avance au point que le fer râpe le bois au lieu de le couper et n'est donc pas recommandée.

Une coupe trop profonde peut causer la cassure des fers de petite taille. Les fers de petite taille dont le diamètre n'est que de 1,6 mm (1/16 po) se brisent facilement lorsqu'ils sont soumis à une poussée latérale excessive. Bien qu'un fer de plus grande taille risque moins de se briser, si la coupe est trop profonde, il peut s'avérer très difficile de guider et contrôler l'outil.

C'est pourquoi nous recommandons de ne pas dépasser une profondeur de coupe de 3,2 mm (1/8 po) à chaque passe, quelle que soit la taille du fer, la dureté ou l'état de la pièce de bois. Cela permet d'obtenir des résultats de qualité supérieure.

Par conséquent, lorsqu'une coupe plus profonde est nécessaire, effectuer plusieurs passes en abaissant le fer de 3,2 mm (1/8 po) à chacune. Pour gagner du temps, effectuer toutes les coupes désirées à une même profondeur avant d'abaisser le fer pour les coupes suivantes. Cela assurera l'uniformité de la profondeur lors de l'exécution de la passe finale.



AVERTISSEMENT :

Si la profondeur de coupe désirée ne peut pas être obtenue en une seule passe en toute sécurité, effectuer deux passes ou plus. Ne pas tailler plus de 3,2 mm (1/8 po) par passe. L'usage de fers de plus grande taille peut causer une perte de contrôle et entraîner des blessures graves.

RÉGLAGE DE LA PROFONDEUR DE COUPE

Voir la figure 11, page 13.

- Retirer le bloc-piles.
- Tirer le levier de dégagement rapide vers la position ouverte pour libérer le boîtier du moteur à la base.
- Abaisser et tenir le levier de dégagement du moteur.

NOTE : Les réglages de coupe profonde peuvent être ajustés avec le levier de dégagement du moteur et en positionnant le boîtier du moteur en déplaçant la base manuellement.

- Avec le fer choisi installé dans le collet et bien serré, glisser la section du boîtier du moteur de la toupie vers le haut jusqu'à ce que le bout du fer soit à 6,4 mm (1/4 po) du dessus de la surface de travail (surface inférieure de la sous-base). Relâcher le levier de dégagement du moteur une fois que le fer est positionné au-dessus de la surface de travail.
- Tourner le bouton de microréglage de la profondeur lentement dans le sens horaire pour descendre lentement le fer vers la surface de travail. La profondeur de coupe est considérée à « zéro » lorsque le fer touche seulement la surface de travail.

NOTE : Pour régler la fonction de réinitialisation à zéro lorsque le fer est à une profondeur de zéro, tenir le bouton de microréglage de la profondeur en place et tourner l'anneau de réinitialisation jusqu'à ce que le « 0 » apparaisse.

NOTE : Un tour complet du bouton de microréglage de la profondeur fait tourner le boîtier de la toupie de 1,6 mm (1/16 po).

- Retirer la toupie de la surface de travail.
- À l'aide du bouton de microréglage de la profondeur, ajuster la position du fer afin d'obtenir la profondeur de coupe désirée. Pour descendre le fer, tourner le bouton de microréglage de la profondeur vers la flèche pointant vers le bas sur le côté du bouton.
- Toujours respecter les 3,2 mm (1/8 po) de profondeur maximale pour chaque passe lors de la coupe.

NOTE : Une échelle de référence de profondeur est située sur le boîtier du moteur et peut être utilisée pour mesurer la profondeur de la coupe. Chaque marque de l'échelle indique un changement de 1,6 mm (1/16 po) dans le réglage de la profondeur. Utiliser le bord supérieur de la

UTILISATION

base amovible comme référence lors du réglage de la profondeur de coupe.

AVERTISSEMENT :

Éviter l'ouverture de la base. Tout contact avec le fer en rotation infligerait des blessures graves.

USAGE DU GUIDE DE CHANT

Voir la figure 12 et 13, page 13.

Utiliser le guide de chant pour découper ou rogner les pièces droites ou courbe de bordures.

- Retirer le bloc-pile.
- Visser les tiges du guide dans la base et les serrer avec un tournevis à lame plate.
- Glisser le guide de chant sur les tiges.
- Retirer les deux vis papillon du guide à roulement et les installer sur le guide de chant.
- Réinstaller le bloc-pile.
- Mesurer la distance correcte de décalage du fer ou, dans le cas d'un rognage, placer le fer contre le bord de la pièce.

- Serrer les deux vis papillon pour assujettir le guide de chant.
- Déplacer toupie le long de la pièce, en gardant le guide en contact constant avec le bord de la pièce.

FIXATION DE SOUS-BASE CARRÉE

(Accessoires vendus séparément)

Voir la figure 14, page 13.

- Retirer le bloc-pile.
 - Mettre la toupie à l'envers afin de retirer les quatre vis de la sous-base et la sous base ronde.
 - Fixer la sous-base carrée au moyen des mêmes vis.
 - Serrer solidement les vis. Ne pas les serrer excessivement.
-

AVERTISSEMENT :

Toujours utiliser la base pour le rognage de laminés. L'utilisation de toupie sans la base ou avec la base incorrecte peut entraîner des blessures graves.

ENTRETIEN

AVERTISSEMENT :

Utiliser exclusivement des pièces d'origine pour les réparations. L'usage de toute autre pièce pourrait créer une situation dangereuse ou endommager l'outil.

AVERTISSEMENT :

Toujours porter une protection oculaire avec écrans latéraux certifiée conforme à la norme ANSI Z87.1 ainsi qu'une protection auditive. Le respect de cette consigne réduira les risques de blessures graves.

AVERTISSEMENT :

Pour empêcher un démarrage accidentel pouvant entraîner des blessures graves, toujours retirer le bloc-piles de l'outil avant tout nettoyage ou entretien.

ENTRETIEN GÉNÉRAL

Éviter d'utiliser des solvants pour le nettoyage des pièces en plastique. La plupart des matières plastiques peuvent être endommagées par divers types de solvants du commerce. Utiliser un chiffon propre pour éliminer la saleté, la poussière, l'huile, la graisse, etc.

AVERTISSEMENT :

Ne jamais laisser de liquides tels que le fluide de freins, l'essence, les produits à sabot de pétrole, les huiles pénétrantes, etc., entrer en contact avec les pièces en plastique. Les produits chimiques peuvent endommager, affaiblir ou détruire le plastique, ce qui peut entraîner des blessures graves.

PROPOSITION 65 DE L'ÉTAT DE CALIFORNIE

AVERTISSEMENT :

Ce produit et la poussière dégagée lors du ponçage, sciage, meulage, perçage de certains matériaux et lors d'autres opérations de construction contient des produits chimiques reconnus causer le cancer, des malformations congénitales ou des lésions de l'appareil reproducteur. ***Bien se laver les mains après toute manipulation.***

Voici certains exemples de ces produits chimiques :

- le plomb contenu dans la peinture au plomb,
- la silice cristalline contenue dans les briques, le béton et d'autres produits de maçonnerie, ainsi que
- l'arsenic et le chrome contenus dans le bois de construction traité par produits chimiques.

Le risque présenté par l'exposition à ces produits varie en fonction de la fréquence de ce type de travail. Pour réduire l'exposition, travailler dans un endroit bien aéré et utiliser des équipements de sécurité approuvés tels que masques antipoussière spécialement conçus pour filtrer les particules microscopiques.

NOTE : ILLUSTRATIONS COMMENÇANT SUR 11 DE PAGE APRÈS LA SECTION ESPAGNOL.

**Ce produit est accompagné d'une politique de satisfaction de
90 jours et d'une garantie
limitée de trois (3) ans. Pour obtenir les détails de la garantie et de la politique,
visiter le site www.RIDGID.com ou appeler (sans frais) au 1-866-539-1710.**

ADVERTENCIAS DE SEGURIDAD PARA HERRAMIENTAS ELÉCTRICAS



ADVERTENCIA

Lea todas las advertencias de seguridad y instrucciones. El incumplimiento de las advertencias e instrucciones puede ocasionar descarga eléctrica, fuego o lesiones graves.

Guarde todas las advertencias e instrucciones para futuras consultas. El término “herramienta eléctrica” empleado en todos los avisos de advertencia enumerados abajo se refiere a las herramientas eléctricas de cordón (alámbricas) y de baterías (inalámbricas).

SEGURIDAD EN EL ÁREA DE TRABAJO

- **Mantenga limpia y bien iluminada el área de trabajo.** Un área de trabajo mal despejada o mal iluminada propicia accidentes.
- **No utilice herramientas motorizadas en atmósferas explosivas, como las existentes alrededor de líquidos, gases y polvos inflamables.** Las herramientas eléctricas generan chispas que pueden encender el polvo y los vapores inflamables.
- **Mantenga alejados a los niños y circunstantes al maniobrar una herramienta eléctrica.** Toda distracción puede causar pérdida del control de la herramienta.

SEGURIDAD ELÉCTRICA

- **Las clavijas de las herramientas eléctricas deben corresponder a las tomas de corriente donde se conectan. Nunca modifique la clavija de ninguna forma. No utilice ninguna clavija adaptadora con herramientas eléctricas dotadas de contacto a tierra.** Conectando las clavijas originales en las tomas de corriente donde corresponden se disminuye el riesgo de una descarga eléctrica.
- **Evite el contacto del cuerpo con las superficies de objetos que estén haciendo tierra o estén conectados a ésta, como tuberías, radiadores, estufas y refrigeradores.** Existe un mayor riesgo de descargas eléctricas si el cuerpo está haciendo tierra.
- **No exponga las herramientas eléctricas a la lluvia ni a condiciones de humedad.** La introducción de agua en una herramienta eléctrica aumenta el riesgo de descargas eléctricas.
- **No maltrate el cordón eléctrico. Nunca utilice el cordón para trasladar, desconectar o tirar de la herramienta eléctrica. Mantenga el cordón alejado del calor, del aceite, de bordes afilados y de piezas móviles.** Los cordones eléctricos dañados o enredados aumentan el riesgo de descargas eléctricas.
- **Al utilizar una herramienta eléctrica a la intemperie, use un cordón de extensión apropiado para el exterior.** Usando un cordón adecuado para el exterior se disminuye el riesgo de descargas eléctricas.
- **Si inevitablemente debe utilizar una herramienta eléctrica en un lugar húmedo, utilice un interruptor de circuito con pérdida a tierra (GFCI) para tener un suministro protegido.** El uso de un GFCI disminuye el riesgo de descarga eléctrica.
- **Cargue las baterías solamente con el cargador indicado.** Para utilizar con paquetes de baterías de níquel-cadmio de 18 V o de iones de litio de 18 V, consulte el folleto de la herramienta/aparato/paquete de baterías/cargador complementario 988000-302.

SEGURIDAD PERSONAL

- **Permanezca alerta, preste atención a lo que esté haciendo y aplique el sentido común al utilizar herramientas eléctricas. No utilice la herramienta eléctrica si está cansado o se encuentra bajo los efectos de alguna droga, alcohol o medicamento.** Un momento de inatención al utilizar una herramienta eléctrica puede causar lesiones corporales serias.

- **Use equipo de seguridad. Siempre póngase protección ocular.** El uso de equipo de seguridad como mascarilla para el polvo, calzado de seguridad, casco y protección para los oídos en las circunstancias donde corresponda disminuye el riesgo de lesiones.
- **Evite un arranque accidental de la unidad. Asegúrese de que el interruptor esté en la posición de apagado antes de conectar la herramienta.** Portar las herramientas eléctricas con el dedo en el interruptor, o conectarlas con el interruptor puesto, propicia accidentes.
- **Retire toda llave o herramienta de ajuste antes de encender la herramienta eléctrica.** Toda llave o herramienta de ajuste dejada en una pieza giratoria de la herramienta eléctrica puede causar lesiones.
- **No estire el cuerpo para alcanzar mayor distancia. Mantenga una postura firme y buen equilibrio en todo momento.** De esta manera se logra un mejor control de la herramienta eléctrica en situaciones inesperadas.
- **Vístase adecuadamente. No vista ropas holgadas ni joyas. Mantenga el cabello, la ropa y los guantes alejados de las piezas móviles.** Las ropas holgadas, las joyas y el cabello largo pueden engancharse en las piezas móviles.
- **Si se suministran dispositivos para conectar mangueras de extracción y captación de polvo, asegúrese de que éstas estén bien conectadas y se usen correctamente.** La utilización de captador de polvo puede disminuir los peligros relacionados con el polvo.
- **No vista ropas holgadas ni joyas. Recójase el cabello si está largo.** Las ropas holgadas y las joyas, así como el cabello largo, pueden resultar atraídas hacia el interior de las aberturas de ventilación.
- **No utilice la unidad al estar en una escalera o en un soporte inestable.** Una postura estable sobre una superficie sólida permite un mejor control de la herramienta eléctrica en situaciones inesperadas.

EMPLEO Y CUIDADO DE LA HERRAMIENTA ELÉCTRICA

- **No fuerce la herramienta eléctrica. Utilice la herramienta eléctrica adecuada para cada trabajo.** La herramienta eléctrica adecuada efectúa mejor y de manera más segura el trabajo, si además se maneja a la velocidad para la que está diseñada.
- **No utilice la herramienta si el interruptor no enciende o no apaga.** Cualquier herramienta eléctrica que no pueda controlarse con el interruptor es peligrosa y debe repararse.
- **Desconecte la clavija del suministro de corriente o retire el paquete de baterías de la herramienta eléctrica, según sea el caso, antes de efectuarle cualquier ajuste, cambiarle accesorios o guardarla.** Tales medidas preventivas de seguridad reducen el riesgo de poner en marcha accidentalmente la herramienta.
- **Guarde las herramientas eléctricas desocupadas fuera del alcance de los niños y no permita que las utilicen personas no familiarizadas con las mismas o con estas instrucciones.** Las herramientas eléctricas son peligrosas en manos de personas no capacitadas en el uso de las mismas.
- **Preste servicio a las herramientas eléctricas. Revise para ver si hay desalineación o atoramiento de piezas móviles, ruptura de piezas o cualquier otra condición que pueda afectar el funcionamiento de la herramienta. Si está dañada la herramienta eléctrica, permita que la reparen antes de usarla.** Numerosos accidentes son causados por herramientas eléctricas mal cuidadas.

ADVERTENCIAS DE SEGURIDAD PARA HERRAMIENTAS ELÉCTRICAS

- **Mantenga las herramientas de corte afiladas y limpias.** Las herramientas de corte bien cuidadas y con bordes bien afilados, tienen menos probabilidad de atascarse en la pieza de trabajo y son más fáciles de controlar.
- **Utilice la herramienta eléctrica, los accesorios y brocas, hojas y cuchillas de corte, ruedas de esmeril, etc. de conformidad con estas instrucciones, tomando en cuenta las condiciones de trabajo y la tarea por realizar.** Si se utiliza la herramienta eléctrica para operaciones diferentes de las indicadas podría originar una situación peligrosa.

EMPLEO Y CUIDADO DE LA HERRAMIENTA DE BATERÍAS

- **Sólo cargue el paquete de baterías con el cargador especificado por el fabricante.** Un cargador adecuado para un tipo paquete de baterías puede significar un riesgo de incendio si se emplea con un paquete de baterías diferente.
- **Utilice las herramientas eléctricas sólo con los paquetes de baterías específicamente indicados.** El empleo de paquetes de baterías diferentes puede presentar un riesgo de incendio.

- **Cuando no esté utilizándose el paquete de baterías, manténgalo lejos de otros objetos metálicos, como clips, monedas, llaves, clavos, tornillos o otros objetos metálicos, pequeños que puedan establecer conexión entre ambas terminales.** Establecer una conexión directa entre las dos terminales de las baterías puede causar quemaduras o incendios.
- **Si se maltratan las baterías, puede derramarse líquido de las mismas; evite todo contacto con éste. En caso de contacto, lávese con agua. Si el líquido llega a tocar los ojos, además busque atención médica.** El líquido de las baterías puede causar irritación y quemaduras.

SERVICIO




- **Permita que un técnico de reparación calificado preste servicio a la herramienta eléctrica, y sólo con piezas de repuesto idénticas.** De esta manera se mantiene la seguridad de la herramienta eléctrica.
- **Al dar servicio a una herramienta eléctrica, sólo utilice piezas de repuesto idénticas. Siga las instrucciones señaladas en la sección Mantenimiento de este manual.** El empleo de piezas no autorizadas o el incumplimiento de las instrucciones de mantenimiento puede significar un riesgo de descarga eléctrica o de lesiones.

ADVERTENCIAS DE SEGURIDAD DEL FRESADORA COMPACTA






- **Sujete las herramientas eléctricas por las superficies aisladas de sujeción al efectuar una operación en la cual la herramienta de corte pueda entrar en contacto con cables ocultos o con su propio cordón eléctrico.** Todo contacto de una herramienta con un cable cargado carga las piezas metálicas expuestas de la herramienta y da una descarga eléctrica al operador.
- **Familiarícese con su herramienta eléctrica. Lea cuidadosamente el manual del operador. Aprenda sus usos y limitaciones, así como los posibles peligros específicos de esta herramienta eléctrica.** Con el cumplimiento de esta regla se reduce el riesgo de una descarga eléctrica, incendio o lesión seria.
- **Siempre use protección ocular con laterales protectores con la marca de cumplimiento con la norma ANSI Z87.1 al ensamblar piezas, utilizar la herramienta o llevar a cabo tareas de mantenimiento.** Con el cumplimiento de esta regla se reduce el riesgo de lesiones corporales serias.
- **Protéjase los pulmones. Use una careta o mascarilla contra el polvo si la operación genera mucho polvo.** Con el cumplimiento de esta regla se reduce el riesgo de lesiones serias.
- **Protéjase los oídos. Durante períodos prolongados de utilización del producto, póngase protección para los oídos.** Con el cumplimiento de esta regla se reduce el riesgo de lesiones corporales serias.
- **No se necesita conectar a una toma de corriente las herramientas de baterías; por lo tanto, siempre están en condiciones de funcionamiento. Esté consciente de los posibles peligros cuando no esté usando la herramienta de baterías o cuando esté cambiando los accesorios de la misma.** Con el cumplimiento de esta regla se reduce el riesgo de una descarga eléctrica, incendio o lesión corporal seria.
- **No coloque herramientas de baterías ni las baterías mismas cerca del fuego o del calor.** De esta manera se reduce el riesgo de explosiones y de lesiones.
- **No aplaste, deje caer o dañe de baterías. Nunca utilice una batería o cargador que se ha caído, aplastado, recibido un golpe contundente o ha sido dañado(a) de alguna manera.** Las baterías dañadas pueden sufrir explosiones. Deseche de inmediato toda batería que haya sufrido una caída o cualquier daño.
- **Las baterías pueden explotar en presencia de fuentes de inflamación, como los pilotos de gas.** Para reducir el riesgo de lesiones serias, nunca use un producto inalámbrico en presencia de llamas expuestas. La explosión de una batería puede lanzar fragmentos y compuestos químicos. Si ha quedado expuesto a la explosión de una batería, lávese de inmediato con agua.
- **No cargue herramientas de baterías en lugares mojados o húmedos.** Con el cumplimiento de esta regla se reduce el riesgo de una descarga eléctrica.
- **Para obtener resultados óptimos, debe cargar la herramienta de baterías en un lugar donde la temperatura esté entre 10 y 38 °C (entre 50 y 100 °F). No guarde la herramienta a la intemperie ni en el interior de vehículos.**
- **En condiciones extremas de uso o temperatura las baterías pueden emanar líquido. Si el líquido llega a tocarle la piel, lávese de inmediato con agua y jabón. Si le entra líquido en los ojos, láveselos con agua limpia por lo menos 10 minutos, y después busque de inmediato atención médica.** Con el cumplimiento de esta regla se reduce el riesgo de lesiones corporales serias.
- **Guarde estas instrucciones.** Consúltelas con frecuencia y empléelas para instruir a otras personas que puedan utilizar esta herramienta. Si presta a alguien esta herramienta, facilítele también las instrucciones.

SÍMBOLOS

Las siguientes palabras de señalización y sus significados tienen el objeto de explicar los niveles de riesgo relacionados con este producto.

SÍMBOLO	SEÑAL	SIGNIFICADO
	PELIGRO:	Indica una situación peligrosa inminente, la cual, si no se evita, causará la muerte o lesiones serias.
	ADVERTENCIA:	Indica una situación peligrosa posible, la cual, si no se evita, podría causar la muerte o lesiones serias.
	PRECAUCIÓN:	Indica una situación peligrosa posible, la cual, si no se evita, podría causar lesiones menores o leves.
	AVISO:	(Sin el símbolo de alerta de seguridad) Indica la información que se considera importante, pero no relacionada con lesiones potenciales (por ej. en relación a daños a la propiedad).

Es posible que se empleen en este producto algunos de los siguientes símbolos. Le suplicamos estudiarlos y aprender su significado. Una correcta interpretación de estos símbolos le permitirá utilizar mejor y de manera más segura el producto.

SÍMBOLO	NOMBRE	DENOMINACIÓN/EXPLICACIÓN
	Alerta de seguridad	Indica un peligro posible de lesiones personales.
	Lea manual del operador	Para reducir el riesgo de lesiones, el usuario debe leer y comprender el manual del operador antes de usar este producto.
	Protección para los ojos	Siempre póngase protección ocular con la marca de cumplimiento de la norma ANSI Z87.1 junto con protección auditiva.
	Alerta de condiciones húmedas	No exponga la unidad a la lluvia ni la use en lugares húmedos.
	Símbolos de reciclado	Este producto contiene baterías de níquel-cadmio o iones de litio. Es posible que algunas leyes municipales, estatales o federales prohíban desechar las baterías de níquel-cadmio en la basura normal. Consulte a las autoridades reguladoras de desechos para obtener información en relación con las alternativas de reciclado y desecho disponibles.
V	Volts	Voltaje
min	Minutos	Tiempo
==	Corriente continua	Tipo o característica de corriente
n_0	Velocidad en vacío	Velocidad de rotación, en vacío
.../min	Por minuto	Revoluciones, carreras, velocidad superficial, órbitas, etc., por minuto

CARACTERÍSTICAS

ESPECIFICACIONES DEL PRODUCTO

Portaherramientas6,35 mm (1/4 pulg.)
 Velocidad en vacío..... 17,000-25,000 r/min.

ARMADO

DESEMPAQUETADO

Este producto requiere armarse.

- Extraiga cuidadosamente de la caja la herramienta y los accesorios. Todos los elementos enumerados en la sección **Incluye** se deben incluir al momento de la compra.

ADVERTENCIA:

Las piezas incluidas en esta sección de Armado no vienen ensambladas en el producto de fábrica y requieren la instalación por parte del cliente. El uso de un producto que pueda haber sido armado de manera incorrecta podría provocar lesiones personales graves.

- Si hay piezas dañadas o faltantes, le suplicamos llamar al 1-866-539-1710, donde le brindaremos asistencia.

ADVERTENCIA:

Si falta o está dañada alguna pieza, no utilice este producto sin haber reemplazado la pieza. Usar este producto con partes dañadas o faltantes puede causar lesiones serias al operador.

ADVERTENCIA:

No intente modificar este producto ni hacer aditamentos ni accesorios no recomendados para el mismo. Cualquier alteración o modificación constituye maltrato el cual puede causar una condición peligrosa, y como consecuencia posibles lesiones corporales serias.

RETIRE LA BASE

Veá la figura 1, página 11.

- Retire el paquete de baterías.
- Coloque la palanca de palanca de afloje rápido en posición abierta.
- Sujete la base con una mano. Sostenga el área de sujeción sobreinyectada en el armazón del motor con el otro.
- Oprima la pasador de liberación motor. Coloque el conjunto del motor completo lejos de la base hasta que se separan.

Conexión de la conjunto de alojamiento motor a la base:

- Oprima la pasador de liberación motor.
- Alinee el conjunto del motor completo con la base y empuje el conjunto del motor completo en el base.

NOTA: Esto requiere algo de fuerza para superar el motor resorte de retención.

- Aflojar la pasador de liberación motor y coloque la palanca de palanca de afloje rápido en posición cierre.

ADVERTENCIA:

Si se dispone a cambiar una fresa inmediatamente después de usarla, no toque la tuerca del portaherramientas, la fresa o el portaherramientas con los dedos ni con las manos, que pueden estar calientes. Siempre use la llave suministrada para evitar sufrir quemaduras.

MONTAJE Y DESMONTAJE DE LAS FRESAS

Veá la figura 2, página 11.

- Retire el paquete de baterías.
- Coloque la palanca de palanca de afloje rápido en posición abierta.
- Oprima la pasador de liberación motor y mueva la base para obtener acceso a la tuerca del portaherramientas. No es necesario sacar la base.
- Oprima el botón de bloqueo del eje y gire el husillo hasta que se traben.
- Gire la llave en sentido contrario a las agujas del reloj para aflojar la tuerca del portaherramientas. El portaherramientas está maquinado con tolerancias precisas para admitir fresas con vástagos de 6,4 mm (1/4 pulg.) de diámetro.
- Si va a instalar la fresa por primera vez, puede hacerlo una vez que ha aflojado la tuerca del portaherramientas. Si va a cambiar la fresa, ésta sale fácilmente del portaherramientas tras aflojar la tuerca de éste.

NOTA: La punta de la fresa tiene una capa de cera protectora que debe quitarse antes de usar la fresa por primera vez. Simplemente desprenda la capa de cera y asegúrese de eliminar todo rastro de cera antes de utilizar la tupi.

WARNING:

El extremo con la broca es filoso. Tenga cuidado al remover la cera para prevenir lesiones.

- Introduzca el vástago de la fresa en el portaherramientas hasta que toque el fondo y luego extráigalo aproximadamente 1,6 mm (1/16 pulg.). Esto permite la expansión cuando se calienta la fresa.
- Apriete firmemente la tuerca del portaherramientas, gírelo a la derecha, usando el extremo grande de la llave de tuercas.

NOTA: También puede asegurar la vara para cambiar las brocas a través del extremo angosto de la llave. La ranura angosta cabe sobre las partes llanas de la vara sobre la tuerca de sujeción.

ADVERTENCIA:

Si la tuerca del portaherramientas no está apretada firmemente, se podría salir la fresa al usarse la herramienta, como consecuencia posibles lesiones serias.

- Oprima la pasador de liberación motor y coloque la base nuevamente en una posición operativa.
- Tire la palanca de palanca de afloje rápido en posición cerrado.

FUNCIONAMIENTO

ADVERTENCIA:

No permita que su familiarización con las herramientas lo vuelva descuidado. Tenga presente que un descuido de un instante es suficiente para causar una lesión grave.

ADVERTENCIA:

Siempre retire de la herramienta el paquete de batería al montarle piezas, hacerle ajustes, montarle o desmontarle hojas, limpiarla o tenerla desocupada. Retirando el paquete de batería se evita arrancar accidentalmente la unidad, lo cual puede causar lesiones serias.

ADVERTENCIA:

Póngase la protección ocular marcada conforme al ANSI Z87. Si no cumple esta advertencia, los objetos que salen despedidos pueden producirle lesiones serias en los ojos.

ADVERTENCIA:

No utilice ningún aditamento o accesorio no recomendado por el fabricante de esta herramienta. El empleo de aditamentos o accesorios no recomendados podría causar lesiones serias.

APLICACIONES

Esta herramienta puede emplearse para los fines enumerados abajo:

- Recorte liso profesional de laminados
- Ebanistería, recorte de cubiertas de muebles y trabajo de acabado
- Recorte de madera y plásticos
- Borde para dar forma

INSTALACIÓN/DESMONTAR DEL PAQUETE DE BATERÍAS

Vea la figura 3, página 11.

- Bloquee el gatillo del interruptor.
- Coloque el paquete de baterías en el producto como se muestra.
- Asegúrese de que los pestillos situados a ambos lados del paquete de baterías entren completamente en su lugar con un chasquido y de que el paquete quede bien asegurado en la herramienta antes de comenzar a utilizarla.
- Oprima los pestillos para extraer el paquete de baterías.

Para obtener instrucciones específicas de carga, lea el manual del operador que se incluye con el cargador y la batería.

ENCENDIDO Y APAGADO DE LA TUPI

Vea la figura 4, página 12.

- Para ENCENDER la tupi, pull el interruptor de la parte superior de la tupi en la posición de ENCENDIDO (I).

NOTA: La tupi ofrece la característica de encendido suave. La tupi comienza a una velocidad lenta y gradualmente aumenta hasta llegar a la velocidad puesta en el selector de velocidad giratorio.

- Al terminar regrese el interruptor a la posición de **APAGADO (O)**.
-

ADVERTENCIA:

La fresa continúa girando después de ponerse el interruptor en la posición de apagado (O). Espere a que la hoja se detenga por completo antes de continuar. La inobservancia de esta advertencia puede causar lesiones serias.

AJUSTE DE LA VELOCIDAD

Vea la figura 5, página 12.

El dial de velocidad variable está ubicado en la parte delantera del armazón del motor. La velocidad se ajusta de 17 000 r/min a 25 000 r/min.

- Gire el dial a números más altos para aumentar la velocidad.
 - Gire el dial a números más bajos para disminuir la velocidad.
-

UTILIZACIÓN DE LA TUPI

Vea la figura 6, página 12.

Antes de encender la tupi, desconéctela y asegúrese de que la fresa esté firmemente apretada en el portaherramientas y de que esté debidamente ajustada la profundidad de corte. Refiérase a la sección **Establecer la profundidad del corte** más adelante en este manual. Nunca encienda la tupi con la fresa tocando la pieza de trabajo.

Después de terminar un corte, aleje levemente la fresa de la superficie cortada. Apague la tupi y espere a que se detenga completamente la fresa antes de retirar la base de la superficie de trabajo.

Al cortar, encaje la base de la fresadora sobre la superficie de trabajo y sostenga firmemente el cuerpo de la fresadora según se muestra. Asegúrese de que la tupi esté funcionando a toda velocidad antes de tocar la pieza de trabajo.

ADVERTENCIA:

Evite toda posición de la mano que pueda exponer los dedos a la fresa a través de las áreas abiertas de la base de la tupi. Los dedos que entren en la abertura de la base de la tupi pueden resultar cortados o quemados seriamente.

ADVERTENCIA:

Nunca instale una broca de corte en esta fresadora con un diámetro más grande que la apertura de la subbase. Si se utilizan fresas más grandes puede producirse una pérdida de control y posibles lesiones serias.

FUNCIONAMIENTO

ADVERTENCIA:

Nunca utilice con esta tupi ninguna fresa de recortar que tenga una velocidad nominal inferior a 25,000 r/min. De lo contrario podrían producirse lesiones serias.

ADVERTENCIA:

Para recortar laminados, siempre use la base. Usar la tupi sin una base o usar una base incorrecta puede causar lesiones serias.

DIRECCIÓN DE AVANCE Y EMPUJE

Vea las figuras 7 y 8, página 12.

El motor de la tupi y la fresa giran hacia la derecha. Esto da a la herramienta una leve tendencia a girar hacia la izquierda en las manos, especialmente cuando el motor arranca.

Avance la tupi hacia la pieza de trabajo de izquierda a derecha. Cuando se avanza la tupi de izquierda a derecha, el giro de la fresa tira de la tupi hacia la pieza de trabajo. Si se avanza en la dirección opuesta, las fuerzas de rotación de la fresa girando tienden a empujar la tupi alejándola de la pieza de trabajo, causando así un contragolpe. Esto podría causar la pérdida de control de la tupi.

Debido a la velocidad de giro sumamente alta de la fresa al avanzar la unidad correctamente, existe muy poco contragolpe en condiciones normales. Sin embargo, si la fresa toca un nudo, fibras duras u objetos extraños que afecten el avance normal de la acción de corte, podría haber un leve contragolpe. El contragolpe es suficiente para afectar la rectitud del corte si no se está preparado. Tal contragolpe siempre ocurre en la dirección opuesta al sentido de giro de la fresa.

Para protegerse contra un contragolpe como tal, planifique los ajustes y la dirección de avance para que siempre esté empujando la herramienta — o mantenerla contra lo que esté utilizando como guía para el corte — en la misma dirección en que se mueve el borde de corte de la fresa. El empuje debe hacerse en una dirección tal que mantenga los bordes afilados de la fresa cortando de forma continua y recta en madera nueva (sin cortar).

VELOCIDAD DE AVANCE CORRECTA

Todo recorte y fresado de cantos profesional depende de una cuidadosa preparación y de seleccionar la velocidad de avance adecuada.

La velocidad correcta de avance depende de:

- la dureza y contenido de humedad de la pieza de trabajo
- la profundidad de corte
- el diámetro de corte de la fresa.

Al fresar ranuras de poca profundidad en maderas blandas como el pino, pueden usarse velocidades de avance más elevadas. Al efectuar cortes profundos en maderas duras

como el roble, debe usarse una velocidad más lenta de avance.

Hay varios factores que le ayudarán a seleccionar la velocidad de avance correcta.

- Escoja una velocidad que no aminore la velocidad de giro del motor de la tupi.
- Escoja una velocidad a la cual la fresa avance firme y seguramente para producir una espiral continua de virutas uniformes o un canto recortado liso en el laminado, según sea el caso.
- Escuche el sonido del motor de la tupi. Un sonido agudo significa que está avanzando la unidad muy lentamente. Un sonido grave indica un avance forzado.
- Revise el avance logrado en cada corte. Un avance demasiado lento puede causar que la tupi se desplace en una dirección errónea con respecto a la línea de corte original. Un avance forzado aumenta el esfuerzo de sostener la herramienta y produce una pérdida de velocidad.
- Observe las virutas generadas al cortar. Si se avanza la tupi con demasiada lentitud se quema la madera. Si se avanza la tupi con demasiada rapidez, corta virutas muy grandes de madera y deja marcas de gubia.

Siempre efectúe un corte de prueba en una pieza de desecho de madera igual a la de la pieza de trabajo antes de comenzar. Al utilizar la tupi siempre sujétela y sosténgala firmemente con ambas manos.

Si va a fresar una ranura poco profunda de diámetro pequeño en madera suave seca, la velocidad de avance adecuada puede determinarse por la velocidad a la que puede desplazar la tupi a lo largo de la línea guía. Si la fresa es grande, el corte es profundo o la pieza de trabajo es dura de cortar, la velocidad de avance posiblemente deba ser lenta. Un corte a contrahilo puede requerir un paso más lento que un corte idéntico al hilo en la misma pieza de trabajo.

No hay reglas fijas. A base de práctica y uso se aprende la velocidad de avance adecuada.

AVANCE FORZADO

Vea la figura 9, página 12.

La tupi es una herramienta de velocidad sumamente alta (de 17 000 a 25 000 r/min), y efectúa cortes limpios y uniformes si se le permite funcionar libremente sin la sobrecarga de un avance forzado. Tres factores que causan un “avance forzado” son el tamaño de la fresa, la profundidad de corte y las características de la pieza de trabajo. Cuanto más grande es la fresa o más profundo el corte, mayor será la lentitud de avance de la tupi. Si la madera es muy dura, nudosa, gomosa o húmeda, debe bajarse la velocidad de la operación aún más.

Un recorte de laminados y un fresado cantos limpio y uniforme únicamente se logra cuando la fresa gira a velocidades relativamente altas y corta trozos muy pequeños para producir partículas minúsculas y bien cortadas. Si se fuerza la tupi a un avance demasiado rápido, la velocidad de giro de la fresa será menor que la normal en relación con su

FUNCIONAMIENTO

movimiento de avance. Como resultado, la fresa debe cortar trozos más grandes al girar. trozos más grandes significan virutas más grandes y un acabado más áspero. Debido a que los corte más grandes requieren más potencia, el motor podría sobrecargarse.

En condiciones de avance sumamente forzado, la velocidad relativa de la fresa puede reducirse tanto — y los trozos que tiene que cortar son tan grandes — que las virutas se arrancan parcialmente en vez de cortarse completamente. esto causa astilladuras y marcas de gubia en la pieza de trabajo.

AVANCE DEMASIADO LENTO

Vea la figura 9, página 12.

Al avanzar la tupi muy lentamente hacia la pieza de trabajo, al girar la fresa no penetrará en la madera con la rapidez suficiente para cortar apropiadamente; en vez de ello, raspa partículas de aserrín. El raspado produce calor, lo cual puede cristalizar, quemar o estropear el corte y puede calentar excesivamente la fresa. Las fresas desafiladas también pueden contribuir a las raspaduras y quemaduras.

Cuando la fresa está raspando en vez de cortar, se dificulta más controlar la tupi. Cuando el motor está prácticamente sin carga alguna, la fresa gira casi a la velocidad máxima, y tiene una tendencia, mucho mayor que la normal, para rebotar de los lados del corte, especialmente si la madera tiene fibras pronunciadas con áreas duras y blandas. El corte producido puede tener lados ondulados en vez de ser rectos.

PROFUNDIDAD DEL CORTE

Vea la figura 9, página 12.

La profundidad de corte afecta la velocidad de avance y la calidad del corte. Usando la profundidad de corte adecuada puede aminorarse la posibilidad de dañar el motor de la tupi y la fresa.

Un corte más profundo requiere una velocidad de corte más lenta que un corte menos profundo. No se recomienda efectuar un corte tan profundo que disminuya la velocidad de avance de manera que la fresa esté raspando en lugar de cortar.

Un corte demasiado profundo puede causar la rotura de las fresas pequeñas. Las fresas que tienen 1/16" (1,6 mm) de diámetro se rompen fácilmente cuando se someten a un empuje lateral muy fuerte. Una fresa grande quizá no se rompa, pero si se intenta un corte demasiado profundo, puede resultar un corte áspero, y podría ser muy difícil guiar y controlar la fresa como se desee.

Se recomienda no exceder profundidades de corte mayores de 3,2 mm (1/8 pulg.) por pasada, independientemente del tamaño de la fresa o de la suavidad o estado de la pieza de trabajo. Así se produce un corte de mayor calidad.

Para efectuar cortes más profundos, es necesario efectuar tantas pasadas sucesivas cuantas se requieran, bajando la fresa 3,2 mm (1/8 pulg.) en cada nueva pasada. Con el fin de ahorrar tiempo, realice todos los cortes necesarios a la misma profundidad, y después baje la fresa para la pasada

siguiente. Así se asegura también una profundidad uniforme al terminar la pasada final.

ADVERTENCIA:

Si la profundidad de corte deseada es mayor de la que puede cortarse en una sola pasada, efectúe los cortes en dos o más pasadas. No corte más de 3,2 mm (1/8 pulg.) en una sola pasada. Una profundidad de corte excesiva puede producir una pérdida de control y posibles lesiones serias.

AJUSTE DE LA PROFUNDIDAD DE CORTE

Vea la figura 11, página 13.

- Retire el paquete de baterías.
- Tire la palanca de fijación rápida a la posición abierta para liberar el armazón del motor en la base.
- Oprima y sostenga la palanca de fijación del motor.

NOTA: Se pueden hacer ajustes más grandes a la profundidad de corte usando la palanca de fijación del motor y ubicando el armazón del motor moviéndolo en la base a mano.

- Con la broca deseada instalada en la sujeción y bien apretada, deslice la sección del armazón del motor de la fresadora hacia arriba en la base hasta que la punta de la broca esté justo sobre la superficie de trabajo (superficie inferior de subbase) por un mínimo de 6.4 mm (1/4 de pulg.). Libere la palanca de fijación del motor una vez la broca esté sobre la superficie de trabajo.
- Gire lentamente la perilla de ajuste de micro profundidad para bajar la broca en el sentido horario lentamente hacia la superficie de trabajo. La profundidad de cortese considera "cero" cuando la broca apenas toca la superficie de trabajo.

NOTA: Para restablecer la función cero a cero mientras que la broca esté en profundidad cero, sujete la perilla de ajuste de micro profundidad y gire el aro para restablecer la función cero hasta que muestre "0".

NOTA: Una revolución completa de la perilla de ajuste de micro profundidad mueve el armazón de la fresadora 1.6 mm (1/16 pulg.).

- Remueva la fresadora de la superficie de trabajo.
- Usando la perilla de ajuste de micro profundidad, ajuste la posición de la broca para obtener la profundidad de corte deseada. Para mover la broca hacia abajo, gire la perilla de ajuste de micro profundidad hacia la flecha que indica abajo ubicada al lado de la perilla.
- Observe siempre la regla máxima de profundidad de corte de 3.2 mm (1/8 pulg.) por paseal cortar.

NOTA: Una escala de profundidad de referencia está ubicada en el armazón del motor la cual se puede usar para medir la profundidad de corte. Cada marca en la escala indica un cambio de 1.6 mm (1/16 pulg.) en la configuración de profundidad. Use el borde superior

FUNCIONAMIENTO

de la base removible como referencia al establecer la profundidad de corte.

ADVERTENCIA:

Evite el área abierta de la base de la tupi. Pueden resultar lesiones serias si se toca la fresa en movimiento.

UTILIZACIÓN DE LA GUÍA PARA CANTOS

Veá la figuras 12 y 13, página 13.

La guía para cantos sirve para recortar o cortar cantos rectos o borde curvo.

- Retire el paquete de baterías.
- Enrosque las barras guía en la base y apriételas con un destornillador de punta plana.
- Monte la guía para cantos en las barras guía.
- Instale dos tornillos en la guía para cantos.
- Mida la distancia adecuada para compensar la fresa, o, si está recortando, coloque la fresa en el canto de la pieza de trabajo.

- Apriete los dos tornillos de apriete manual con el fin de asegurar la guía para cantos.
- Desplace la tupi a lo largo de la pieza de trabajo manteniendo la guía para cantos constantemente en contacto con el canto de dicha pieza.

MONTAJE DE LA SUBBASE CUADRADA

Veá la figura 14, página 13.

- Retire el paquete de baterías.
- Coloque la tupi en posición invertida para extraer los cuatro tornillos de la subbase y la subbase redonda.
- Fije la subbase cuadrada usando los mismos tornillos.
- Apriete los tornillos firmemente, pero no demasiado.

ADVERTENCIA:

Para recortar laminados, siempre use la base. Usar la tupi sin una base o usar una base incorrecta puede causar lesiones serias.

MANTENIMIENTO

ADVERTENCIA:

Al dar servicio a la herramienta, utilice solamente piezas de repuesto idénticas. El empleo de piezas diferentes puede implicar peligro o causar daños al producto.

ADVERTENCIA:

Siempre póngase protección ocular con protección lateral con la marca de cumplimiento de la norma ANSI Z87.1 junto con protección para los oídos. La inobservancia de esta advertencia puede permitir que los objetos lanzados hacia los ojos y otros provoque lesiones graves.

ADVERTENCIA:

Para evitar lesiones corporales graves, siempre retire el paquete de baterías de la herramienta al limpiarla, darle mantenimiento o guardarla.

MANTENIMIENTO GENERAL

Evite el empleo de solventes al limpiar piezas de plástico. La mayor parte de los plásticos son susceptibles a diferentes tipos de solventes comerciales y pueden resultar dañados. Utilice paños limpios para eliminar la suciedad, polvo, aceite, grasa, etc.

ADVERTENCIA:

No permita en ningún momento que líquido para frenos, gasolina, productos a base de petróleo, aceites penetrantes, etc., entren en contacto con las piezas de plástico. Las sustancias químicas pueden dañar, debilitar o destruir el plástico, lo cual puede a su vez producir lesiones corporales graves.

ADVERTENCIA:

Este producto puede contener sustancias químicas (por ejemplo, plomo) reconocidas por el estado de California como causantes de cáncer, defectos congénitos y otras afecciones del aparato reproductor. **Lávese las manos después de utilizar el aparato.**

Algunos ejemplos de estas sustancias químicas son:

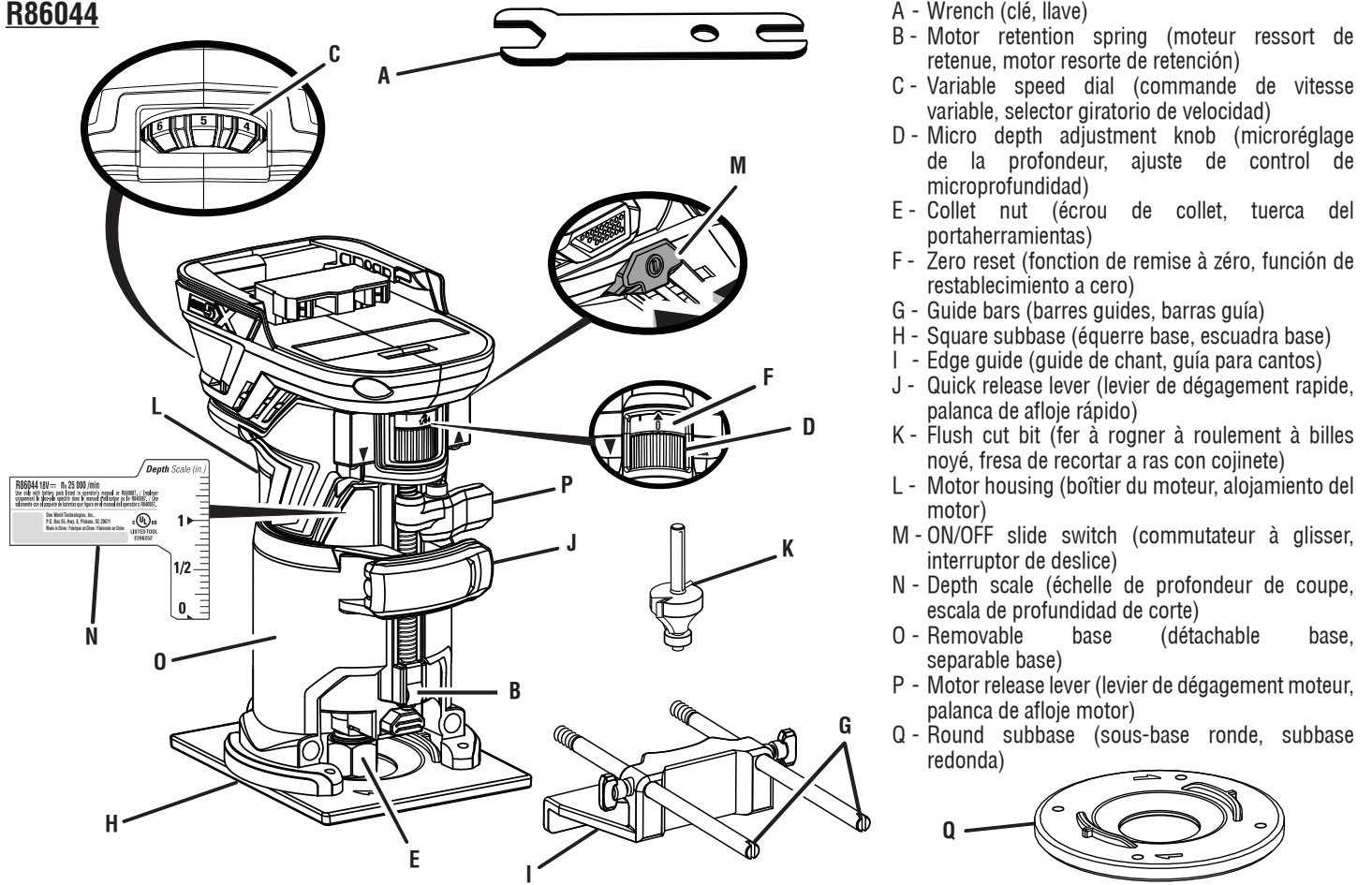
- plomo de las pinturas a base de plomo,
- silicio cristalino de los ladrillos, del cemento y de otros productos de albañilería, y
- arsénico y cromo de la madera químicamente tratada.

El riesgo de la exposición a estos compuestos varía, según la frecuencia con que se realice este tipo de trabajo. Para reducir la exposición personal, trabaje en áreas bien ventiladas, y con equipo de seguridad aprobado, tal como las caretas para el polvo especialmente diseñadas para filtrar partículas microscópicas.

**Este producto tiene una política de satisfacción garantizada de 90 días
y una garantía limitada de tres años.**

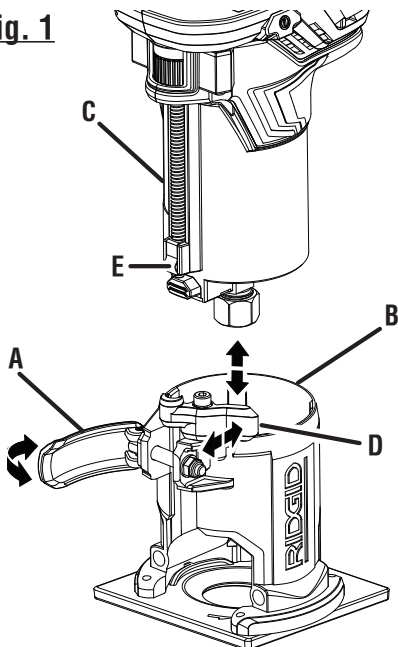
**Para obtener detalles sobre la garantía y la política de satisfacción garantizada,
diríjase a www.RIDGID.com o llame sin cargo al 1-866-539-1710.**

R86044



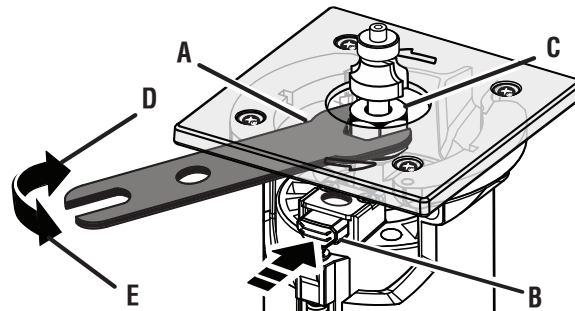
- A - Wrench (clé, llave)
- B - Motor retention spring (moteur ressort de retenue, motor resorte de retención)
- C - Variable speed dial (commande de vitesse variable, selector giratorio de velocidad)
- D - Micro depth adjustment knob (microréglage de la profondeur, ajuste de control de microprofundidad)
- E - Collet nut (écrou de collet, tuerca del portaherramientas)
- F - Zero reset (fonction de remise à zéro, función de restablecimiento a cero)
- G - Guide bars (barres guides, barras guía)
- H - Square subbase (équerre base, escuadra base)
- I - Edge guide (guide de chant, guía para cantos)
- J - Quick release lever (levier de dégagement rapide, palanca de afloje rápido)
- K - Flush cut bit (fer à rogner à roulement à billes noyé, fresa de recortar a ras con cojinete)
- L - Motor housing (boîtier du moteur, alojamiento del motor)
- M - ON/OFF slide switch (commutateur à glisser, interruptor de deslice)
- N - Depth scale (échelle de profondeur de coupe, escala de profundidad de corte)
- O - Removable base (détachable base, separable base)
- P - Motor release lever (levier de dégagement moteur, palanca de afloje motor)
- Q - Round subbase (sous-base ronde, subbase redonda)

Fig. 1



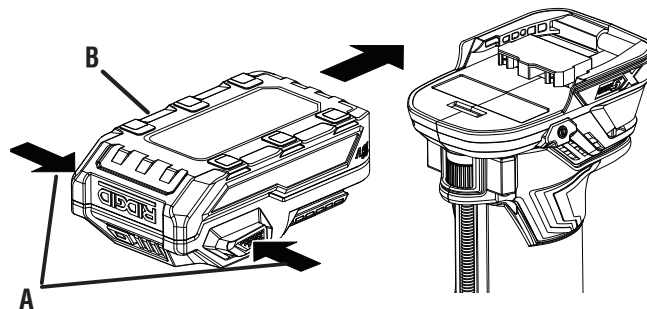
- A - Quick release lever (levier de dégagement rapide, palanca de afloje rápido)
- B - Removable base (détachable base, separable base)
- C - Motor housing (boîtier du moteur, alojamiento del motor)
- D - Motor release lever (levier de dégagement moteur, palanca de afloje motor)
- E - Motor retention spring (moteur ressort de retenue, motor resorte de retención)

Fig. 2



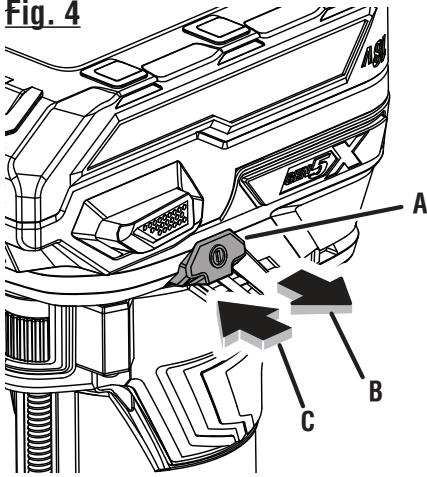
- A - Wrench (clé, llave de tuercas)
- B - Spindle lock (blocage de la broche, bloqueo del husillo)
- C - Collet nut (écrou de collet, tuerca del portaherramientas)
- D - Tighten (verrouiller, asegurar)
- E - Loosen (desserrer, aflojar)

Fig. 3



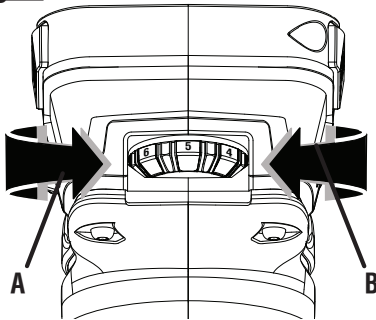
- A - Depress latches to release battery pack (appuyer sur le loquet pour retirer le bloc-piles/para soltar el paquete de baterías oprima los pestillos)
- B - Battery pack (bloc-pile, paquete de baterías)

Fig. 4



- A - ON/OFF slide switch (commutateur à marche/arrêt, interruptor de encendido/apagado)
- B - To turn ON (pour mettre en marche, para encender la unidad)
- C - To turn OFF (pour arrêter, para apagar la unidad)

Fig. 5



- A - Increase speed (augmentation de la vitesse, aumentar velocidad)
- B - Decrease speed (réduction de la vitesse, disminuir velocidad)

Fig. 6

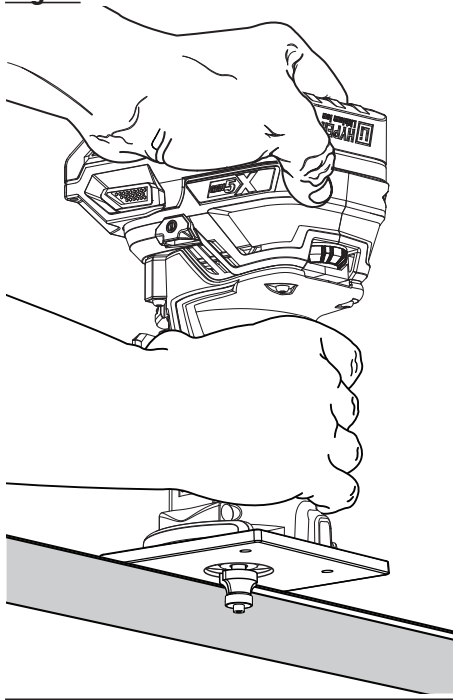
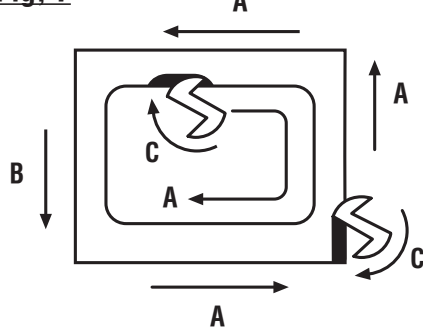


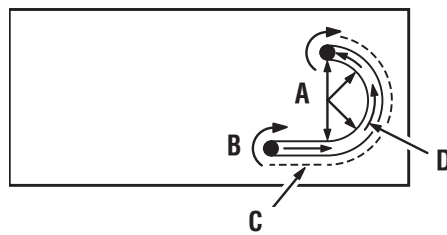
Fig. 7



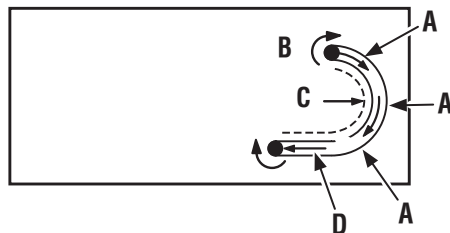
- A - Trimmer feed direction (direction d'engagement, dirección de avance de la recortadora)
- B - Trim end grains first (rogner d'abord le grain en bout, recorte primero los extremos de la fibra)
- C - Bit rotation (rotation du fer, giro de la fresa)

Fig. 8

GUIDE OUTSIDE / GUIDE À L'EXTÉRIEUR / GUÍA AFUERA

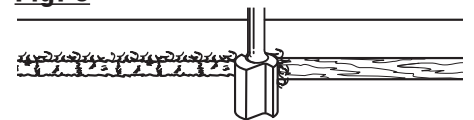


GUIDE INSIDE / GUIDE À L'INTÉRIEUR / GUÍA ADENTRO



- A - Thrust (poussée, empuje)
- B - Rotation (rotation, giro)
- C - Guide (guide, guía)
- D - Feed (avancement, avance)

Fig. 9

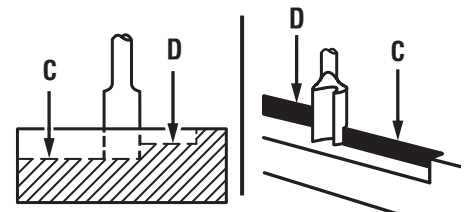
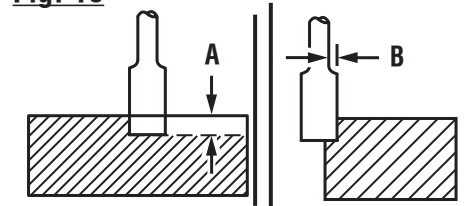


TOO SLOW / TROP LENTE / DEMASIADO LENTO



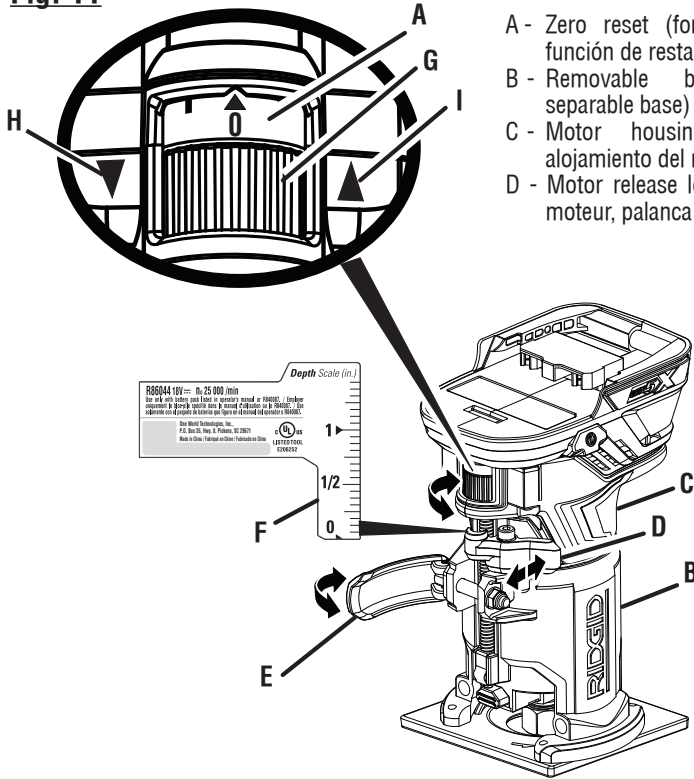
TOO FAST / TROP RAPIDE / DEMASIADO RÁPIDO

Fig. 10



- A - Depth of cut (profondeur de coupe, profundidad del corte)
- B - Width of cut (largeur de coupe, anchura del corte)
- C - 2nd. pass (2ème passe, 2da. pasada)
- D - 1st. pass (1ère passe, 1ra. pasada)

Fig. 11

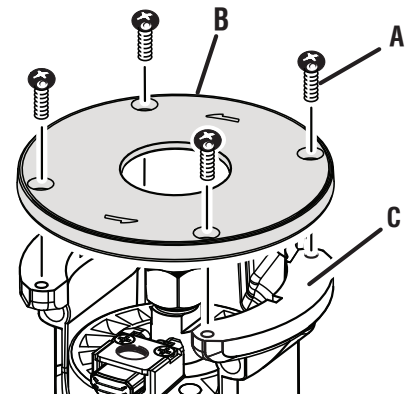


- A - Zero reset (fonction de remise à zéro, función de restablecimiento a cero)
- B - Removable base (détachable base, separable base)
- C - Motor housing (boîtier du moteur, alojamiento del motor)
- D - Motor release lever (levier de dégagement moteur, palanca de afloje motor)

- E - Quick release lever (levier de dégagement rapide, palanca de afloje rápido)
- F - Depth scale (échelle de profondeur de coupe, escala de profundidad de corte)
- G - Micro depth adjustment knob (microréglage de la profondeur, ajuste de control de microprofundidad)

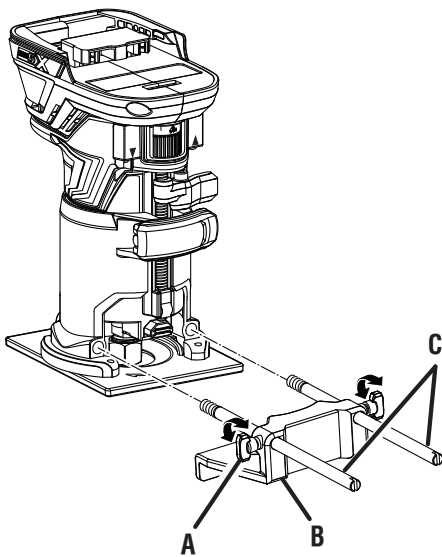
- H - Down arrow (pointant vers le bas, hacia abajo)
- I - Up arrow (pointant vers le haute, hacia arriba)

Fig. 14



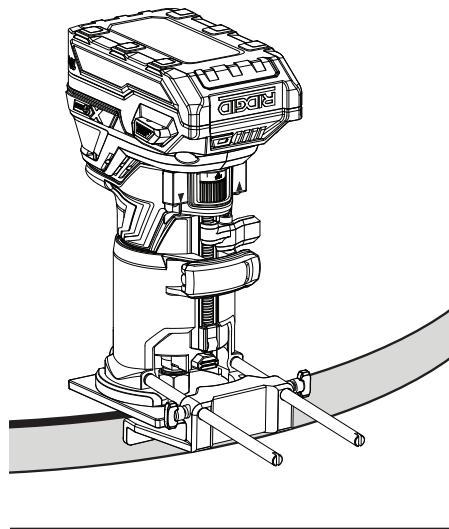
- A - Screws (vis, tornillo)
- B - Round subbase (sous-base ronde, subbase redonda)
- C - Removable base (détachable base, separable base)

Fig. 12



- A - Thumb screws (vis papillon, tornillos de apriete manual)
- B - Edge guide (guide de chant, guía para cantos)
- C - Guide bars (barres guides, barras guía)

Fig. 13



OPERATOR'S MANUAL

MANUEL D'UTILISATION

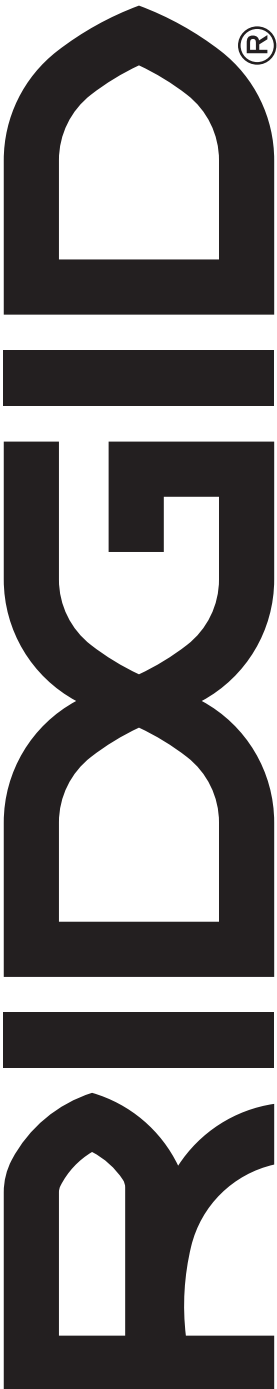
MANUAL DEL OPERADOR

18 VOLT TRIM ROUTER

TOUPIE DE 18 V

FRESADORA-RECORTADORA DE 18 V

R86044



Customer Service Information:

For parts or service, do not return this product to the store. Contact your nearest RIDGID® authorized service center. Be sure to provide all relevant information when you call or visit. For the location of the authorized service center nearest you, please call 1-866-539-1710 or visit us online at www.RIDGID.com.

MODEL NO. _____ SERIAL NO. _____

Service après-vente :

Pour acheter des pièces ou pour un dépannage, ne pas retourner ce produit au magasin. Contacter le centre de réparations RIDGID® agréé le plus proche. Veiller à fournir toutes les informations pertinentes lors de tout appel téléphonique ou visite. Pour obtenir l'adresse du centre de réparations agréé le plus proche, téléphoner au 1-866-539-1710 ou visiter notre site www.RIDGID.com.

NO. DE MODÈLE _____ NO. DE SÉRIE _____

Información sobre servicio al consumidor:

Para piezas de repuesto o servicio, no devuelva este producto a la tienda. Comuníquese con el centro de servicio autorizado de productos RIDGID® de su preferencia. Asegúrese de proporcionar todos los datos pertinentes al llamar o al presentarse personalmente. Para obtener información sobre el centro de servicio autorizado más cercano a usted, le suplicamos llamar al 1-866-539-1710 o visitar nuestro sitio en la red mundial, en la dirección www.RIDGID.com.

NÚM. DE MODELO _____ NÚM. DE SERIE _____

ONE WORLD TECHNOLOGIES, INC.

P.O. Box 35, Hwy. 8
Pickens, SC 29671, USA
1-866-539-1710 ■ www.RIDGID.com

RIDGID is a registered trademark of RIDGID, Inc., used under license.