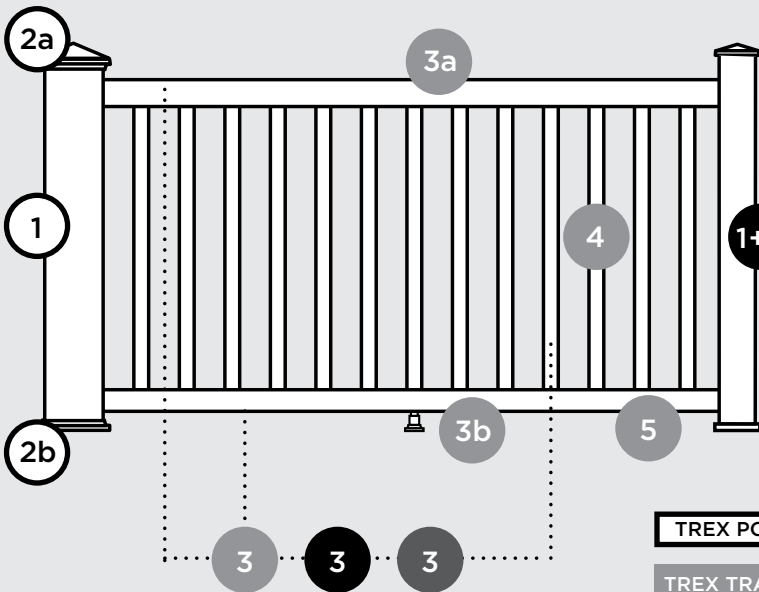




RAILING



RAILING— a lot easier than it looks

Selecting the right railing is pretty easy, but each Trex railing line is a little different. Please read the system descriptions at the top of each product section so you can choose exactly which railing components you need to complete your design. For additional guidance, the chart to the left depicts each railing system's components.

TREX POST COMPONENTS

TREX SIGNATURE™ RAILING

TREX TRANSCEND® RAILING

TREX SELECT® RAILING

Trex Post Sleeves, Caps & Skirts

○ These components can be used as Steps 1 & 2 for all Trex railing lines.

STEP	COMPONENT	DESCRIPTION	ITEM NUMBER
1	Post Sleeve	4" x 4" x 39" Post Sleeve <i>[4.45 in x 4.45 in x 40 in (113 mm x 113 mm x 101 cm) external dimensions]</i>	XX040439APS
		4" x 4" x 108" Post Sleeve <i>[4.45 in x 4.45 in x 108 in (113 mm x 113 mm x 274 cm) external dimensions]</i>	XX0404108APS
		6" x 6" x 39" Post Sleeve <i>[5.5 in x 5.5 in x 39 in (139 mm x 139 mm x 990 mm) external dimensions]</i>	WT060639APS
		6" x 6" x 108" Post Sleeve <i>[5.5 in x 5.5 in x 108 in (139 mm x 139 mm x 274 cm) external dimensions]</i>	WT0606108APS
Each 4x4 and 6x6 post sleeve fits over a 4x4 pressure treated post or equivalent post mount.			
2a	Post Sleeve Cap	Flat 4" x 4" Post Sleeve Cap	PXXSQCAP4X4
		Pyramid 4" x 4" Post Sleeve Cap <i>[5.55 in x 4.55 in (115 mm x 115 mm) internal dimensions]</i>	PXXPYCAP4X4
		Flat 6" x 6" Post Sleeve Cap	PWTSQCAP6X6
		Pyramid 6" x 6" Post Sleeve Cap <i>[5.55 in x 5.55 in (140 mm x 140 mm) internal dimensions]</i>	PWTPYCAP6X6
Also available with LED lighting. See page 13.			
2b	Post Sleeve Skirt	4" x 4" Post Sleeve Skirt <i>[4.55 in x 4.55 in (115 mm x 115 mm) internal dimensions]</i>	PXXSKIRT4X4
		6" x 6" Post Sleeve Skirt <i>[5.55 in x 5.55 in (140 mm x 140 mm) internal dimensions]</i>	PWTSKIRT6X6
ACCESSORY	Surface Mount Post (for use with 4x4 composite post sleeve)	Aluminum Surface Mount Post for 36" (914 mm) Rail Height (1/box) <i>Actual external dimensions of insert: 3.75 in x 3.75 in x 7 in (95 mm x 95 mm x 177 mm)</i>	ALPOSTMOUNT36
		Aluminum Surface Mount Post for 42" (1066 mm) Rail Height (1/box) <i>Actual external dimensions of insert: 3.75 in x 3.75 in x 7 in (95 mm x 95 mm x 177 mm)</i>	ALPOSTMOUNT42
		Surface Mount Post Hardware—Wood (10 kits/box)	ALPOSTHWDECK
ACCESSORY	Joist Mount Post (for use with 4x4 composite post sleeve)	Aluminum Joist Mount Post for use with all Trex railing heights (1/box) <i>Actual external dimensions of insert: 3.75 in x 3.75 in x 7 in (95 mm x 95 mm x 177 mm)</i>	CPJMNTPOST63
ACCESSORY	Foot Block	Adjustable Foot Blocks	XXFTBLKPC

XX = COLOR PREFIX: WT Classic White FP Fire Pit RS Rope Swing VL Vintage Lantern
BK Charcoal Black GP Gravel Path TH Tree House

Trex® Signature™ Aluminum Railing

● Choose either aluminum posts or composite post sleeves, caps and skirts for Steps 1 & 2. Pair with a rail & baluster kit (Step 3).

STEP	COMPONENT	DESCRIPTION	ITEM NUMBER
1+2	Aluminum Post with Cap & Skirt	2.5" x 2.5" x 37" Post—Horizontal (IRC Compliant) <i>[2.5 in x 2.5 in x 37 in (63 mm x 63 mm x 939 mm) actual dimensions]</i>	XXAL252537RCAP
	Aluminum Crossover Post	2.5" x 2.5" x 43" Post—Horizontal (IRC Compliant) <i>[2.5 in x 2.5 in x 43 in (63 mm x 63 mm x 109 cm) actual dimensions]</i>	XXAL252543RCAP
		2.5" x 2.5" x 53" Post—Stair (IRC Compliant) <i>[2.5 in x 2.5 in x 53 in (63 mm x 63 mm x 134 cm) actual dimensions]</i>	XXAL252553RCAP
		2.5" x 2.5" x 36" Crossover Post—Horizontal (IRC Compliant) <i>[2.5 in x 2.5 in x 36 in (63 mm x 63 mm x 914 mm) actual dimensions]</i>	XXAL252536RCCP
		2.5" x 2.5" x 42" Crossover Post—Horizontal (IRC Compliant) <i>[2.5 in x 2.5 in x 42 in (63 mm x 63 mm x 106 cm) actual dimensions]</i>	XXAL252542RCCP
	IRC Surface Mount Hardware	Aluminum Mounting Plate & Hardware <i>For use with all Trex 2.5" Surface Mount Aluminum Posts</i>	ALPOSTHWDECK
	Concrete Post Mount Kit	ALPOSTHWCONC	

Aluminum Joist Mount Post with Cap & Skirt

Trex® Signature™ Fascia Mount Kit
(for use with wood framing)

2.5" x 2.5" x 63"
[2.5 in x 2.5 in x 63 in (63 mm x 63 mm x 160 cm) actual dimensions]

XXJMNTPOST63

For use with Joist Mount Trex® Signature™ Railing Post only.

XXFMNTWOOD

STEP	DESCRIPTION	ITEM NUMBER	DESCRIPTION	ITEM NUMBER
3	Rail & Baluster Kit (Includes Top Rail, Bottom Rail, Balusters, Mounting & Support Hardware)		Rail & Rod Kit (Includes Top Rail, Bottom Rail, Rods, Mounting & Support Hardware)	
	6' x 36" Rail Kit w. Square Balusters—Horizontal	XXAS0636HRK	6' x 36" Black Frame & Platinum Rod Railing—Horizontal	BKPLROD0636HRK
	6' x 36" Rail Kit w. Square Balusters—Stair	XXAS0636SRK	6' x 36" Black Frame & Platinum Rod Railing—Stair	BKPLROD0636SRK
	8' x 36" Rail Kit w. Square Balusters—Horizontal	XXAS0836HRK	8' x 36" Black Frame & Platinum Rod Railing—Horizontal	BKPLROD0836HRK
	8' x 36" Rail Kit w. Square Balusters—Stair	XXAS0836SRK	8' x 36" Black Frame & Platinum Rod Railing—Stair	BKPLROD0836SRK
	6' x 42" Rail Kit w. Square Balusters—Horizontal	XXAS0642HRK	6' x 42" Black Frame & Platinum Rod Railing—Horizontal	BKPLROD0642HRK
	6' x 42" Rail Kit w. Square Balusters—Stair	XXAS0642SRK	6' x 42" Black Frame & Platinum Rod Railing—Stair	BKPLROD0642SRK
	8' x 42" Rail Kit w. Square Balusters—Horizontal	XXAS0842HRK	8' x 42" Black Frame & Platinum Rod Railing—Horizontal	BKPLROD0842HRK
	8' x 42" Rail Kit w. Square Balusters—Stair	XXAS0842SRK	8' x 42" Black Frame & Platinum Rod Railing—Stair	BKPLROD0842SRK
	6' x 36" Rail Kit w. Round Balusters—Horizontal	XXAR0636HRK	6' x 36" Bronze Frame & Platinum Rod Railing—Horizontal	BZPLROD0636HRK
	6' x 36" Rail Kit w. Round Balusters—Stair	XXAR0636SRK	6' x 36" Bronze Frame & Platinum Rod Railing—Stair	BZPLROD0636SRK
	8' x 36" Rail Kit w. Round Balusters—Horizontal	XXAR0836HRK	8' x 36" Bronze Frame & Platinum Rod Railing—Horizontal	BZPLROD0836HRK
	8' x 36" Rail Kit w. Round Balusters—Stair	XXAR0836SRK	8' x 36" Bronze Frame & Platinum Rod Railing—Stair	BZPLROD0836SRK
	6' x 42" Rail Kit w. Round Balusters—Horizontal	XXAR0642HRK	6' x 42" Bronze Frame & Platinum Rod Railing—Horizontal	BZPLROD0642HRK
	6' x 42" Rail Kit w. Round Balusters—Stair	XXAR0642SRK	6' x 42" Bronze Frame & Platinum Rod Railing—Stair	BZPLROD0642SRK
	8' x 42" Rail Kit w. Round Balusters—Horizontal	XXAR0842HRK	8' x 42" Bronze Frame & Platinum Rod Railing—Horizontal	BZPLROD0842HRK
	8' x 42" Rail Kit w. Round Balusters—Stair	XXAR0842SRK	8' x 42" Bronze Frame & Platinum Rod Railing—Stair	BZPLROD0842SRK
	6' x 36" Assembled Panel (Square)—Horizontal*	BKAS0636HRPNL	6' x 36" Black Frame & Black Rod Railing—Horizontal	BKBKROD0636HRK
	8' x 36" Assembled Panel (Square)—Horizontal*	BKAS0836HRPNL	6' x 36" Black Frame & Black Rod Railing—Stair	BKBKROD0636SRK
	6' x 42" Assembled Panel (Square)—Horizontal*	BKAS0642HRPNL	8' x 36" Black Frame & Black Rod Railing—Horizontal	BKBKROD0836HRK
	8' x 42" Assembled Panel (Square)—Horizontal*	BKAS0842HRPNL	8' x 36" Black Frame & Black Rod Railing—Stair	BKBKROD0836SRK
	<i>*Does not include hardware</i>		6' x 42" Black Frame & Black Rod Railing—Horizontal	BKBKROD0642HRK
	Dimensions above are actuals. See below for metrics.		6' x 42" Black Frame & Black Rod Railing—Stair	BKBKROD0642SRK
	6' Upper Rail = 73.5" (187cm) actual length		8' x 42" Black Frame & Black Rod Railing—Horizontal	BKBKROD0842HRK
8' Upper Rail = 97.5" (248 cm) actual length		8' x 42" Black Frame & Black Rod Railing—Stair	BKBKROD0842SRK	
6' Lower Rail = 71.5" (182 cm) actual length				
8' Lower Rail = 95.5" (243 cm) actual length				



ACCESSORY Trex® Signature™ Accessories



Trex® Signature™ Bracket Templates
HZ Bracket Template
(36" and 42") - Composite Sleeve
HZ Bracket Template
(36" and 42") - 2.5" Aluminum Post

SIGTEMP4X4SLEEVE

SIGTEMPIRCPOST

Cocktail Rail Bracket (10/pack)
Fixed Bracket—Horizontal (4/pack)
Fixed Bracket—Stair (4/pack)
Swivel Bracket—Horizontal (2/pack-1 top, 1 bottom)
Swivel Bracket—Stair (2/pack-1 top, 1 bottom)
2.5" Horizontal Crossover Bracket (1/pack)
2.5" Swivel Crossover Bracket—Stair (1/pack)
Compound Swivel Bracket (2/pack-1 top, 1 bottom)
Aluminum Foot Block
Touch-up Pen

XXCTBKAL10PK
XXFHBKTAL
XXFSBKAL
XXSWHBKTAL
XXSWSBKAL
XX25FHCBKTAL
XX25RCSWSCBKAL
XXCPDSWBKTAL
XXALFTBLK
XXTOUCHUPPEN

XX = COLOR PREFIX:

BK Charcoal Black

BZ Bronze

WT Classic White

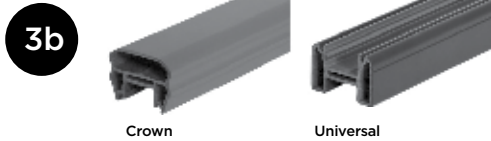
Aluminum railing has a textured finish.

Trex Transcend® Railing

- Transcend is either a 5-step or 3-step process. Choose Trex post sleeves, caps and skirts (Steps 1 & 2). Then choose each component separately for a custom design (5-step).

STEP	COMPONENT	DESCRIPTION	ITEM NUMBER
------	-----------	-------------	-------------

3a Top & Bottom Rails
In this step, two rails (1 top, 1 bottom) must be selected.



6' Crown Top Rail XXCROWNTR06
8' Crown Top Rail XXCROWNTR08

6' Universal Top/Bottom Rail XXUNIVTBR06
8' Universal Top/Bottom Rail XXUNIVTBR08

[6' Rail: 67.5 in (171 cm) actual length; 8' Rail: 91.5 in (232 cm) actual length]

4 Balusters
See chart below for number of balusters needed to complete each railing section.

BALUSTER TYPE	PER 6' SECTION	PER 8' SECTION
Square (Horizontal application)	13	18
Square (Stair application)	11	15
Aluminum (Horizontal application)	15	20
Aluminum (Stair application)	12	16



Square Balusters for 36" Rail Height (16/pack) XX020230SBK
[1.418 in x 1.418 in x 30.375 in (36 mm x 36 mm x 771 mm) actual dimensions]

Square Balusters for 42" Rail Height (16/pack) XX020236SBK
[1.418 in x 1.418 in x 36.375 in (36 mm x 36 mm x 923 mm) actual dimensions]

Round Aluminum Balusters for 36" Rail Height (20/pack) XXTA30RBK
[.75 in x 30.25 in (19 mm x 768 mm) actual dimensions]

Round Aluminum Balusters for 42" Rail Height (20/pack) XXTA36RBK
[.75 in x 36.25 in (19 mm x 920 mm) actual dimensions]

Square Aluminum Balusters for 36" Rail Height (20/pack) XXTA30SBK
[.75 in x 30.25 in (19 mm x 768 mm) actual dimensions]

Square Aluminum Balusters for 42" Rail Height (20/pack) XXTA36SBK
[.75 in x 36.25 in (19 mm x 920 mm) actual dimensions]

Aluminum balusters are available in Charcoal Black, Classic White and Bronze only (BK, WT, BZ).

5 Accessory Infill Kit
» 2 Baluster Spacers
» Adjustable Foot Block
» Mounting Hardware

[6' Rail: 67.5 in (171 cm) actual length;
8' Rail: 91.5 in (232 cm) actual length]

6' Accessory Infill Kit for Square Balusters—Horizontal XXSQHIK06
6' Accessory Infill Kit for Square Balusters—Stair XXSQSIK06
8' Accessory Infill Kit for Square Balusters—Horizontal XXSQHIK08
8' Accessory Infill Kit for Square Balusters—Stair XXSQSIK08

6' Accessory Infill Kit for Round Aluminum Balusters—Horizontal XXRDHIK06
6' Accessory Infill Kit for Round Aluminum Balusters—Stair XXRDSIK06
8' Accessory Infill Kit for Round Aluminum Balusters—Horizontal XXRDHIK08
8' Accessory Infill Kit for Round Aluminum Balusters—Stair XXRDSIK08

6' Accessory Infill Kit for Square Aluminum Balusters—Horizontal XXASBHIK06
6' Accessory Infill Kit for Square Aluminum Balusters—Stair XXASBSIK06
8' Accessory Infill Kit for Square Aluminum Balusters—Horizontal XXASBHIK08
8' Accessory Infill Kit for Square Aluminum Balusters—Stair XXASBSIK08

6' Glass Panel Accessory Kit [Glass panel mounting hardware; glass panel not included] XXGLIK06

ACCESSORY

Trex Transcend® Accessories

All accessories include a quantity of 12 per box unless otherwise noted.

Mounting Hardware for Cut Rails—Horizontal XXHZACCYKIT
Mounting Hardware for Cut Rails—Stair XXSTACCYKIT
Transcend RSB Bracket Pack—Horizontal (24/box) TSHBRACKET
Transcend RSB Bracket Pack—Stair (24/box) TSSBRACKET
0 Degree Rail Gasket Pack—Horizontal XX00HGASK
0 Degree Rail Gasket Pack—Stair XX00SGASK
22.5 Degree Gasket Pack XX22HGASK
45 Degree Birdsmouth Gasket Pack (for 4x4) XX45RSBADAPK
45 Degree Gasket Pack (for 6x6) WT45HGASK

Trex Transcend Bracket Template

HZ Bracket Template (36" and 42") - Composite Sleeve TRANTEMP4X4SLEEVE

Trex Transcend® Railing

● Or simply choose a rail & baluster kit (3-step).

STEP	COMPONENT	DESCRIPTION	ITEM NUMBER	COLOR
3	Rail & Baluster Kit Composite » Crown Top Rail » Universal Bottom Rail » Square Balusters » Baluster Spacers » Adjustable Foot Block » Mounting Hardware <i>[Actual dimensions: 6' Rail: 67.5 in x 36 in (171 cm x 914 mm); 8' Rail: 91.5 in x 36 in (232 cm x 914 mm)]</i>	6' x 36" Rail & Baluster Kit—Horizontal <i>With square composite balusters</i>	XXO636HRK	WT, BK, VL
		6' x 36" Rail & Baluster Kit—Stair <i>With square composite balusters</i>	WT0636SRK	WT
		8' x 36" Rail & Baluster Kit—Horizontal <i>With square composite balusters</i>	XXO836HRK	WT, BK, VL
		8' x 36" Rail & Baluster Kit—Stair <i>With square composite balusters</i>	XXO836SRK	WT, BK, VL
		6' x 42" Rail & Baluster Kit—Horizontal <i>With square composite balusters</i>	XXO642HRK	WT, BK, VL
		8' x 42" Rail & Baluster Kit—Horizontal <i>With square composite balusters</i>	XXO842HRK	WT, BK, VL
		8' x 42" Rail & Baluster Kit—Stair <i>With square composite balusters</i>	XXO842SRK	WT, BK, VL

	Rail & Baluster Kit-Aluminum » Crown Top Rail » Universal Bottom Rail » Round Aluminum Baluster » Baluster Spacers » Adjustable Foot Block » Mounting Hardware <i>[Actual dimensions: 6' Rail: 67.5 in x 36 in (171 cm x 914 mm); 8' Rail: 91.5 in x 36 in (232 cm x 914 mm)]</i>	6' x 36" Rail & Baluster Kit—Horizontal <i>With black round aluminum balusters</i>	XXRD0636HRK	WT, BK, VL
		8' x 36" Rail & Baluster Kit—Horizontal <i>With black round aluminum balusters</i>	XXRD0836HRK	WT, BK, VL
		8' x 36" Rail & Baluster Kit—Stair <i>With black round aluminum balusters</i>	XXRD0836SRK	WT, BK, VL
		6' x 42" Rail & Baluster Kit—Horizontal <i>With black round aluminum balusters</i>	XXRD0642HRK	WT, BK, VL
		8' x 42" Rail & Baluster Kit—Horizontal <i>With black round aluminum balusters</i>	XXRD0842HRK	WT, BK, VL
		8' x 42" Rail & Baluster Kit—Stair <i>With black round aluminum balusters</i>	XXRD0842SRK	WT, BK, VL

Trex Select® Railing

● Trex Select® is a 3-step process. Choose Trex post sleeves, caps and skirts (Steps 1 & 2) and a rail & baluster kit (Step 3).

STEP	COMPONENT	DESCRIPTION	ITEM NUMBER
3	Classic White Rail & Aluminum Baluster Kit » Top Rail » Bottom Rail » Round Aluminum Balusters » Adjustable Foot Block » Hardware Pack Available in Classic White with Charcoal Black Aluminum Balusters only.	6' x 36" Rail & Aluminum Baluster Kit—Horizontal	WTRD0636HSELK
		6' x 36" Rail & Aluminum Baluster Kit—Stair	WTRD0636SSELK
		8' x 36" Rail & Aluminum Baluster Kit—Horizontal	WTRD0836HSELK
		8' x 36" Rail & Aluminum Baluster Kit—Stair	WTRD0836SSELK
		6' x 42" Rail & Aluminum Baluster Kit—Horizontal	WTRD0642HSELK
		8' x 42" Rail & Aluminum Baluster Kit—Horizontal	WTRD0842HSELK
		8' x 42" Rail & Aluminum Baluster Kit—Stair	WTRD0842SSELK

ACCESSORY	Trex Select® Accessories	Mounting Hardware for Cut Rails—Horizontal (10 kits/box)	BKENHZBKT
		Mounting Hardware for Cut Rails—Stair (10 kits/box)	BKENSTBKT
	Trex Select® 8' Aluminum Rail Stiffener		SELALRAILSTIFFENER

XX = COLOR PREFIX: BK Charcoal Black BZ Bronze WT Classic White Aluminum railing has a textured finish.

Trex Aluminum Gates

COMPONENT	DESCRIPTION	ITEM NUMBER
Gate Rail Kit	36" Rail Height, Square Balusters, Adjustable up to 48" wide opening	XX36SQADJGATE
	36" Rail Height, Round Balusters, Adjustable up to 48" wide opening	XX36RDADJGATE
	42" Rail Height, Square Balusters, Adjustable up to 48" wide opening	XX42SQADJGATE
	42" Rail Height, Round Balusters, Adjustable up to 48" wide opening	XX42RDADJGATE
Available in all Aluminum colors.	[Actual height 36" Rail: 36 in (914 mm); 42" Rail: 42 in (106 cm) Actual width is 47.5 in (120 cm) but can be cut to fit any width.]	

Hardware Pack
(black only)
(purchased separately)



2 Adjustable Self-Closing Hinges
1 Locking Hasp With Keys
Hardware for attachment to wood post with composite sleeve or aluminum posts

BKGATEHW



Trex Aluminum ADA Compliant Handrail

All Trex ADA handrail components are made of powder-coated aluminum. For detailed installation instructions, visit trex.com.

COMPONENT	ITEM NUMBER
1.375 in x 8 ft (34 mm x 243 cm) Hand Rail	XXALADARAIL8
Wall Return 90°	XXALADA90WR2G
Wall Mount	XXALADAWMNT2G
Corner Mount	XXALADAICORNER2G
Post Return ("Candy Cane")	XXALADA180CCANE
5° Elbow	XXALADA05ELB
31° Elbow	XXALADA31ELB
34° Elbow	XXALADA34ELB
36° Elbow	XXALADA36ELB
90° Inside/Outside Elbow	XXALADA90ELB2G
Straight 4 in (101 mm) Internal Connector	XXALINTCONN
Inline Rail Termination Adapter	XXALADAINLINE
Rail End Cap	XXALADACAP
Aluminum Colla	XXALADACL



XX = COLOR PREFIX: BK Charcoal Black BZ Bronze WT Classic White Aluminum railing has a textured finish.



TREX TRANSCEND RAILING

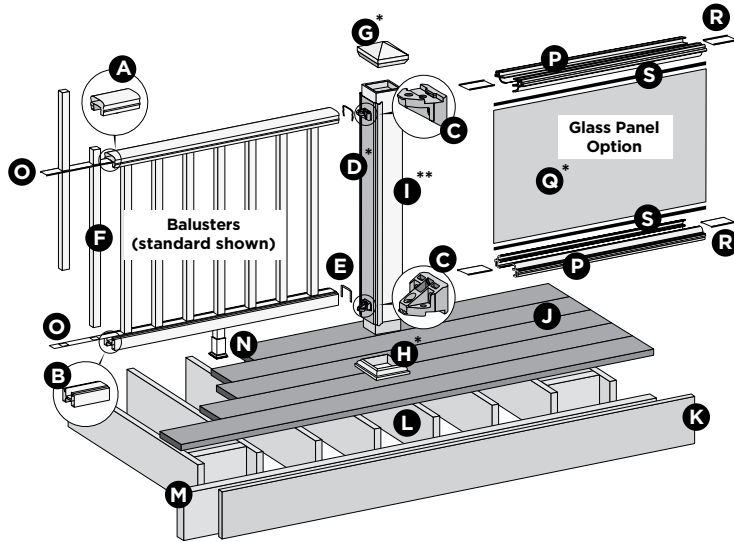
NOTES:

» TREX TRANSCEND RAILINGS ARE DESIGNED TO BE INSTALLED OVER THE DECKING FRAME OR ON INSIDE OF RIM JOIST. NOTCHING OF PRESSURE-TREATED POSTS OR POSTS INSTALLED ON OUTSIDE OF RIM JOIST IS NOT ALLOWED.

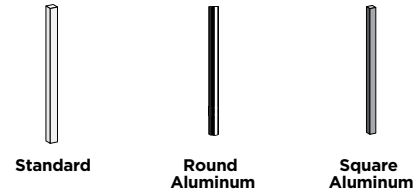
» All Trex Transcend railing lengths are manufactured at ON CENTER dimensions (spanning from center of each post): 67-5/8" (1718 mm) for 6' (1.83 m) on center, and 91-5/8" (2353 mm) for 8' (2.44 m) on center. Note that railings are designed to be slightly longer than required to allow for very slight play in post placement – some minimal trimming may be required. IT IS VERY IMPORTANT TO MEASURE FIRST.

» Ensure that pressure treated posts are installed at proper height so that when post sleeves are installed, both pressure treated post and post sleeve are flush at top.

PARTS



BALUSTER OPTIONS



NOTE: Pictorial representations shown may only show one style of railing, while others may also be used. Review detailed instructions to determine what railing styles and combinations can be used.

- A. Crown or Universal
- B. Universal
- C. Trex railing support bracket (RSB)
- D. TrexExpress™ Railing Assembly Template*
- E. Rail gaskets
- F. Balusters
- G. Post sleeve cap*
- H. Post sleeve skirt*
- I. Post sleeve – 4" x 4" (102 mm x 102 mm) or 6" x 6" (152 mm x 152 mm) post sleeve**
- J. Trex decking
- K. Trex fascia
- L. Code-approved wood joist – 2" x 8" (51 mm x 203 mm)
- M. Code-approved wood rim joist – 2" x 8" (51 mm x 203 mm) or larger
- N. Adjustable foot block (quantity of one is required for all railing span lengths)
- O. Baluster spacer

Trex Transcend Glass Panel Parts List

- P. Panel support molding
- Q. Tempered glass panel*
- R. Trex panel support molding spacer
- S. Weatherstripping

* Item not included in the Transcend railing kits.

** Both 4" x 4" (102 mm x 102 mm) and 6" x 6" (152 mm x 152 mm) post sleeves are designed to fit over 4x4 pressure-treated post.

DETERMINING BALUSTERS NEEDED

Baluster Type	Per 6' OC Section	Per 8' OC Section
Square (Horizontal Application)	13	18
Square (Stair Application)	11	15
Round/Square Aluminum (Horizontal Application)	15	20
Round/Square Aluminum (Stair Application)	12	16

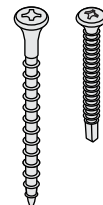
NOTE: Basic installation for balusters is the same for all options. When using round or square aluminum balusters, use correct baluster spacers.

NOTE: If installing 42" (1067 mm) railing, use longer posts sleeves and measure accordingly to ensure a proper cut. **DO NOT CUT TO ACTUAL 42" LENGTH WITHOUT CONFIRMING WHAT STYLE OF RAILING YOU ARE INSTALLING.**

NOTE: If using post mounts, refer to detailed instructions provided with post mounts for attaching these prior to installation of any railing type.

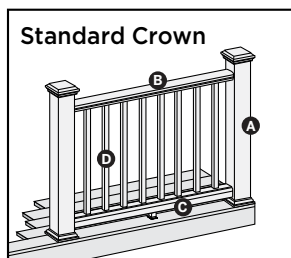
Screws Supplied with RSB

- C1. Wood screw for attachment of RSB to wood post/composite sleeve
- C2. Self-tapping rail screw for attachment of railing to RSB



TREX TRANSCEND RAILING CONFIGURATIONS

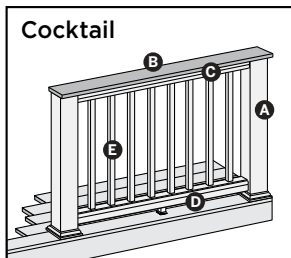
Note: See specific installation instructions for attachment of Trex post mounts or Trex Joist Mount Posts prior to installing any railing.



Cutting post sleeves is **NOT** required.

- A. Pressure-treated post/Trex post sleeve, Trex post mount/Trex post sleeve*, or Joist Mount Post/Trex post sleeve* (INSIDE MOUNT ONLY)
- B. Crown rail
- C. Universal bottom
- D. Trex balusters

See page 65 for "How to Install Standard Railing".



Post sleeves will need to be cut.

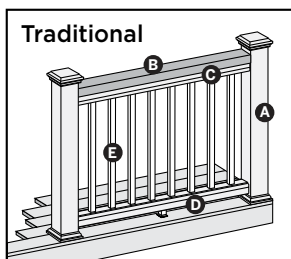
- A. Pressure-treated post with Trex Transcend post sleeve
NOTE: » Only for use with 4" x 4" (102 mm x 102 mm) post sleeve.
» Trex post mounts cannot be used with Transcend cocktail design.

- B. Deck board top rail (1 x 6 or 2 x 6). **NOTE:** Enhance (scalloped profile) and Escapes cannot be used.
- C. Universal top rail
- D. Universal bottom
- E. Trex balusters

See page 67 for "How to Install Cocktail Railing".

NOTE: Additional pan head screws will need to be purchased - see detailed instructions.

**POST
SLEEVES
WILL
NEED TO
BE CUT**

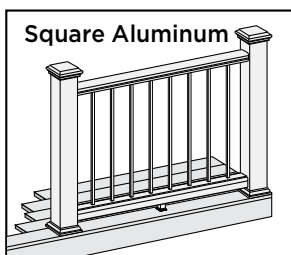
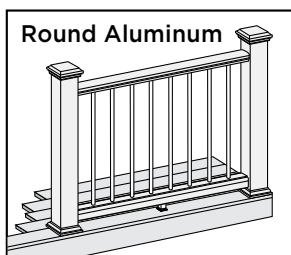


Cutting post sleeves is **NOT** required.

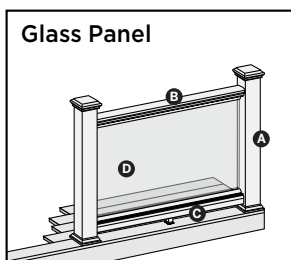
- A. Pressure-treated post/Trex post sleeve, Trex post mount/Trex post sleeve*, or Joist mount post/Trex post sleeve* (INSIDE MOUNT ONLY)
- B. 2" x 4" (51 mm x 102 mm) lateral top rail
- C. Universal top rail
- D. Universal bottom
- E. Trex balusters

See page 68 for "How to Install Traditional Railing".

NOTE: Additional pan head screws will need to be purchased - see detailed instructions.



- » Follow desired railing style instructions found above, substituting correct baluster spacer for type of baluster being used.
- » Refer to detailed instructions for added steps when using round and square aluminum balusters. See page 69.



Cutting post sleeves is **NOT** required.

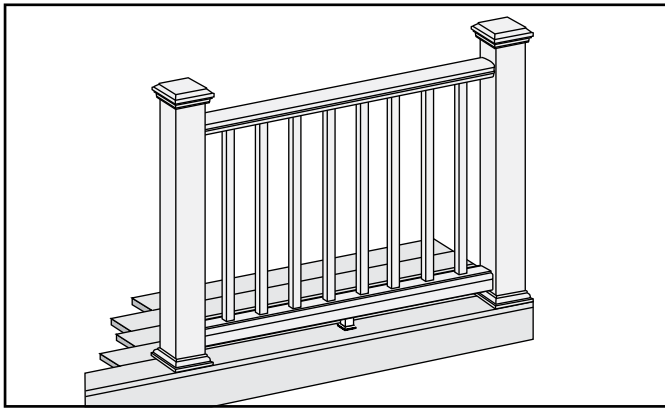
- A. Pressure-treated post/Trex post sleeve, Trex post mount/Trex post sleeve**, or Joist mount post/Trex post sleeve** (INSIDE MOUNT ONLY)
- B. Crown rail (use universal rail if building cocktail or traditional design with glass inserts)
- C. Universal bottom
- D. Tempered glass panel (**NOT** included in kit)

See page 70 for "How to Install Standard Glass Panel Railing", page 72 for "How to Install Cocktail Style Glass Panel Railing" (****NOTE:** Trex Post Mounts or Trex Joist Mount Posts cannot be used with this railing configuration), and page 73 for "How to Install Traditional Style Glass Panel Railing".

NOTE: Glass panels are not recommended in stair applications.



HOW TO INSTALL STANDARD RAILING TREX TRANSCEND

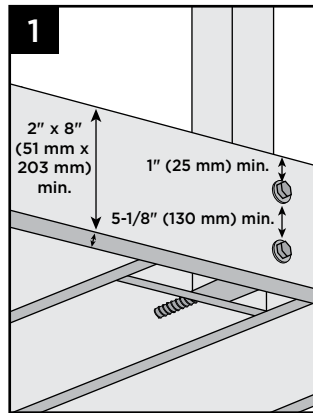


Read all instructions **BEFORE** installation.

Important: Post sleeves are **NOT** to be cut for this design style.

Installing Pressure-Treated Posts

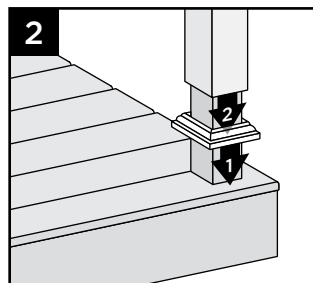
- » Posts are to be installed 6' (1.83 m) or 8' (2.44 m) on center to accommodate appropriate railing length.
- » Attach posts using 1/2" (130 mm) carriage bolts.
- » Minimum joist size is 2" x 8" (51 mm x 203 mm).
- » Top bolts must be 1" (25 mm) from tops of joists.
- » Bottom bolts must be 5-1/8" (130 mm) from top bolts.
- » Bolts can be countersunk flush with framing to allow for fascia attachment.



NOTE: Blocking can be added for extra strength.

Installing Post Sleeve Skirts and Post Sleeves

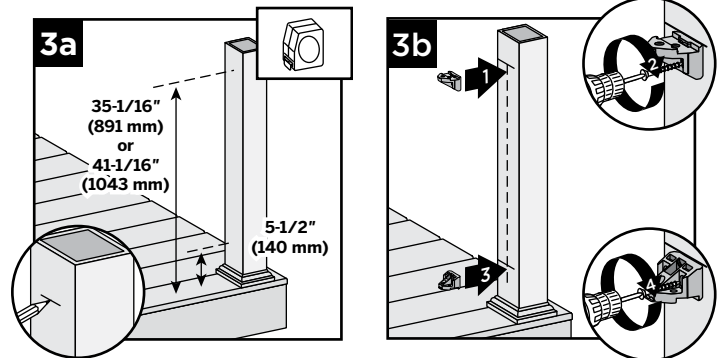
2. Slide post sleeve skirt over post and down to rest on decking surface. Slide post sleeve over post and position inside post sleeve skirt.



NOTE: Shims can be used to plumb post sleeves.

Installing Railing Support Brackets (RSBs)

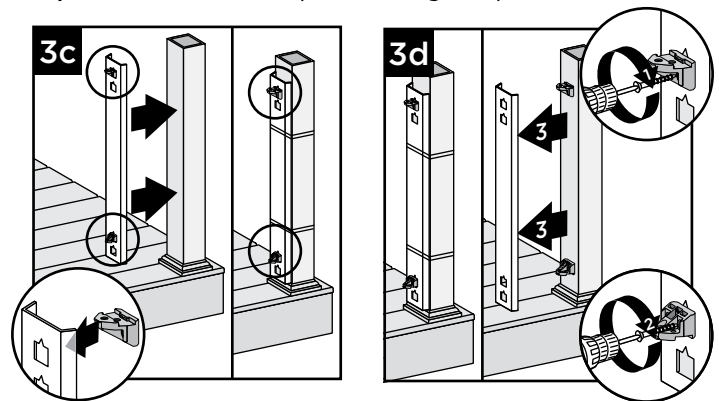
Option 1: Without Trex Express railing template



3a. Mark 5-1/2" (140 mm) and 35-1/16" (891 mm) from deck surface **OR** for 42" (1067 mm) height, mark 5-1/2" (140 mm) and 41-1/16" (1043 mm) from the deck surface.

3b. Place RSBs directly under marks, center on posts, and secure with 2" (51 mm) wood screws (*provided with post sleeve*). **Place top RSBs flat side up, bottom RSBs flat side down.**

Option 2: With TrexExpress railing template



3c. Place RSBs in template. **Place top RSBs flat side UP, bottom RSBs flat side DOWN.** Secure template on post with tape or rubber band, with bottom of template resting on post skirt.

3d. Secure RSBs with 2" (51 mm) wood screws (*provided in railing kit*) and remove template.

NOTES: Special steps are necessary when using 6" x 6" (152 mm x 152 mm) plastic TrexExpress template.

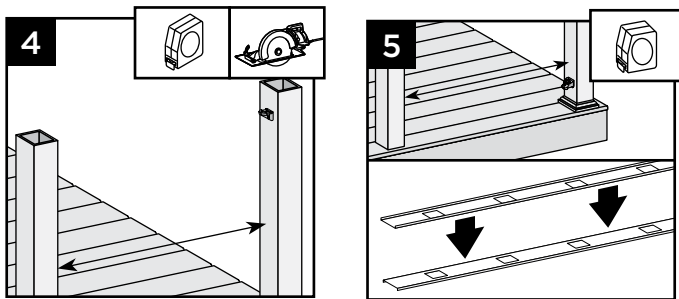
- » Cut off 1/2" (13 mm) from the bottom (blue arrows up) of the tool **BEFORE** first use.
- » Position top RSBs **ONLY**, 6" (152 mm) higher for 42" (1067 mm) rail height.
- » Secure RSBs with 2-1/2" (64 mm) wood screws (*provided with post sleeve*) and remove template.

NOTE: Construction methods are always improving. Please refer to www.trex.com for the most up-to-date installation requirements.

HOW TO INSTALL STANDARD RAILING/CONTINUED

TREX TRANSCEND

Cutting Railings and Baluster Spacers



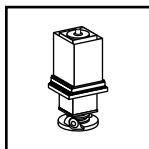
4. Measure between posts and cut rails to same length.
5. Cut baluster spacers the same length as rails, equally spaced, so holes line up.

NOTES:

- » If using optional rail gaskets, subtract 1/16" (1.6 mm) from each end.
- » Attach baluster spacers to railing before cutting to allow for cleaner cut and less work.
- » When measuring, cut equal lengths from each side of railing and baluster spacer to ensure equal spacing of balusters per each railing section.
- » In some cases, the gasket can be attached before tightening railing to RSB.
- » If gaskets are tight, use a small flat head screwdriver to compress the tabs of the gasket if they are stuck outside the rail.

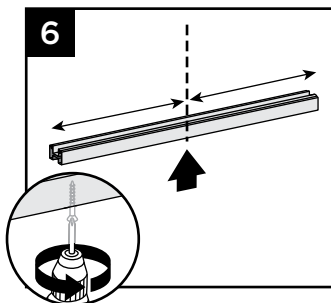
IMPORTANT NOTES REGARDING FOOT BLOCK INSTALLATION:

- » One foot block is **REQUIRED** for all railing spans.
- » Refer to detailed instructions (Trex Transcend® rail instructions) included with foot block prior to installation of railing section as these include other required steps for proper installation.



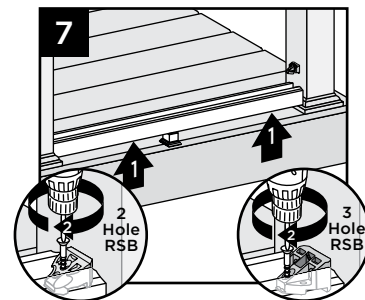
Attaching Foot Block to Bottom Rail

6. Invert the bottom rail. Center and drill a hole using a 3/16" drill bit. This will be location for foot block attachment (to be installed last).



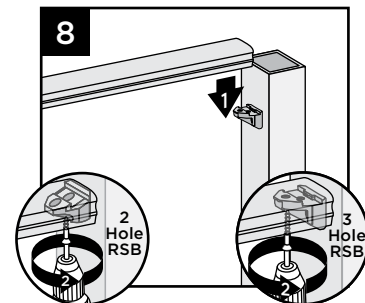
Attaching Bottom Rail (Universal Rail)

7. Lift bottom rail so RSBs are in the channel and attach with three self-tapping screws provided (use three outer holes; do not use hole in RSB that is closest to post). If two hole bracket is included, attach with two self-tapping holes (*provided*).



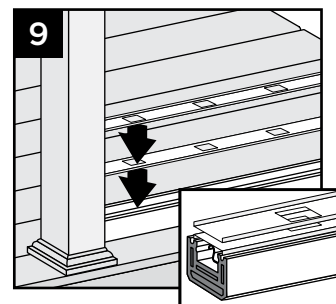
Attaching Top Rail - Crown Rail

8. Place crown rail on RSBs. Attach top rail to RSB with three self-tapping screws provided (use three outer holes; do not use hole in RSB that is closest to post). If two hole bracket is included, attach with two self-tapping screws (*provided*).



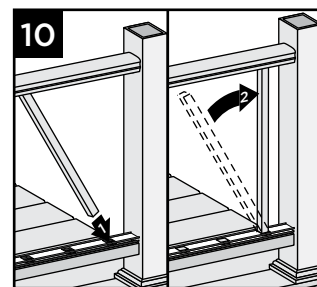
Placing Baluster Spacers

9. Snap baluster spacer into bottom rail. Place inverted baluster spacer on top of first baluster spacer.



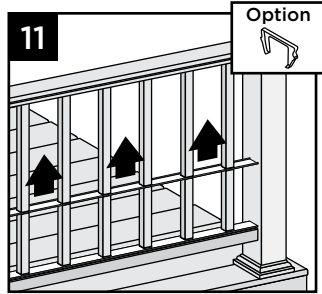
Attaching Balusters

10. Place baluster into both baluster spacers, ensuring that balusters are fully seated into the channel. Working at slight angle, maneuver balusters into top rail. See page 69 if using Aluminum round or square balusters for additional information.



HOW TO INSTALL STANDARD RAILING/CONTINUED TREX TRANSCEND

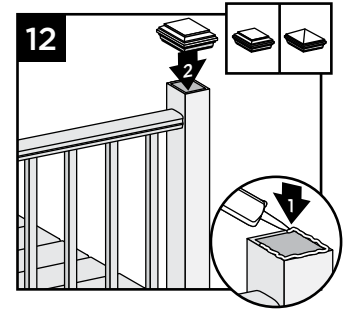
11. Slide baluster spacer up and snap into top rail. Place optional top rail gaskets on each end of rail.



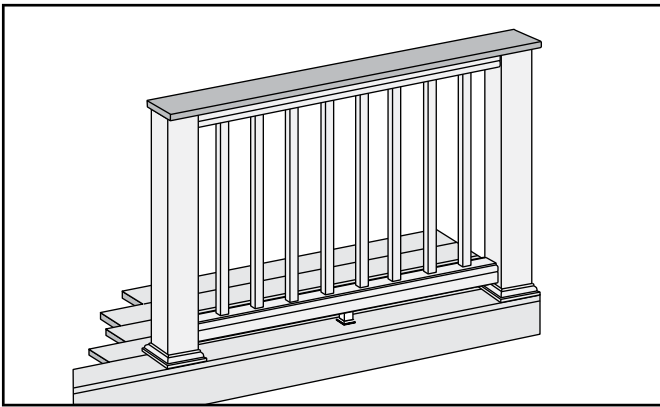
Attaching Post Caps and Installing Foot Blocks

12. Secure post caps with silicone or PVC adhesive. Attach foot block per foot block instructions.

NOTE: Clean up any excess adhesive before it dries.



HOW TO INSTALL COCKTAIL RAILING TREX TRANSCEND



IMPORTANT NOTES:

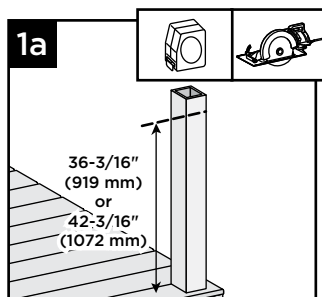
- » **ONLY** use with 4" x 4" (102 mm x 102 mm) post and post sleeve. Cutting post and post sleeve **ONLY** apply to the Transcend Cocktail railing.
- » If using Select decking, **USE** maximum length 1-3/4" (44 mm) screw and **NOT** 2" (51 mm) screw.
- » Screws that are used for attaching decking board to railing **MUST** be attached at an angle to prevent screw from penetrating through the top of decking board.

1. Installing Pressure-Treated Posts

See instructions on page 65.

Cutting Post and Post Sleeve

- 1a. Mark and cut post and post sleeve measuring from deck surface:
- » 36-3/16" (919 mm) for 36" (914 mm) height.
 - » 42-3/16" (1072 mm) for 42" (1067 mm) height.



2. Installing Post Sleeve Skirts and Post Sleeves See instructions on page 65.

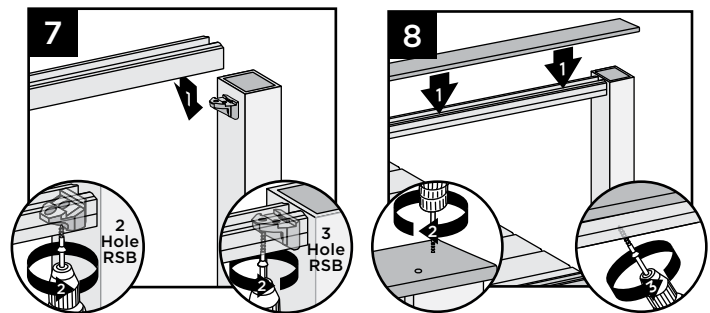
3. Installing Railing Support Brackets (RSBs) instructions on page 65.

4. Cutting Railings and Baluster Spacers See instructions on page 66.

5. Attaching Foot Block to Bottom Rail See instructions on page 66.

6. Attaching Bottom Rail (Universal Rail) See instructions on page 66.

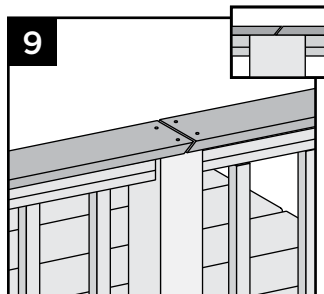
Attaching Inverted Universal Rail as Top Rail



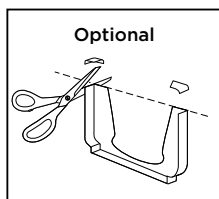
7. Place inverted universal rail onto RSBs. Attach universal rail to RSBs with three self-tapping screws provided (use three outer holes; do not use hole in RSB that is closest to post). If two hole bracket is included, attach with two self-tapping screws (provided).

8. Place deck boards (**DO NOT** use Enhance (scallop profile) or Escapes deck boards for top rail) over universal rails. Attach boards on each post with Trex-recommended composite screws (quantity of 2 per each board end). Secure boards to universal rails from underside of railing into bottom of decking board, with 2" (51 mm) pan-head screws (*not provided*) at an angle every 16" (406 mm) on center.

HOW TO INSTALL COCKTAIL RAILING/CONTINUED TREX TRANSCEND



9. Use scarf cut for posts where two deck boards meet.



NOTES:

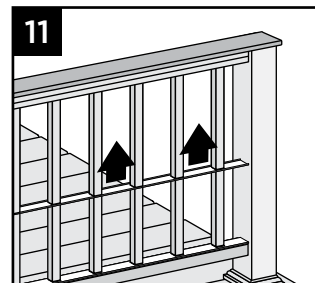
- » If necessary, cut tips off rail gaskets prior to installation.
- » Leave 1/8" (3 mm) gap between deck boards.
- » Deck boards can overhang end of last post maximum 1/2" (13 mm).

10. Placing Baluster Spacers

See instructions on page 66.

11. Attaching Balusters

See instructions on page 66 for standard balusters and page 69 for aluminum balusters.

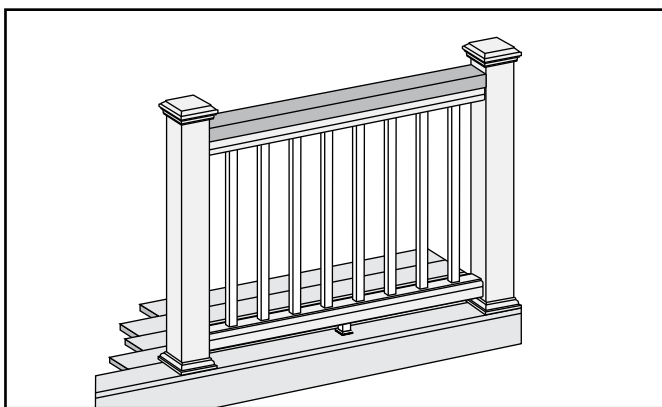


12. Slide baluster spacers up and snap into universal rails.

13. Installing Foot Block

Attach foot block per detailed instructions.

HOW TO INSTALL TRADITIONAL RAILING TREX TRANSCEND



1. Installing Pressure-Treated Posts

See instructions on page 65.

2. Installing Post Sleeve Skirts and Post Sleeves

See instructions on page 65.

3. Installing Railing Support Brackets (RSBs)

See instructions on page 65.

4. Cutting Railings and Baluster Spacers

See instructions on page 66.

5. Attaching Foot Block to Bottom Rail

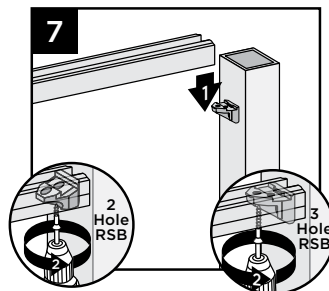
See instructions on page 66.

6. Attaching Bottom Rail (Universal Rail)

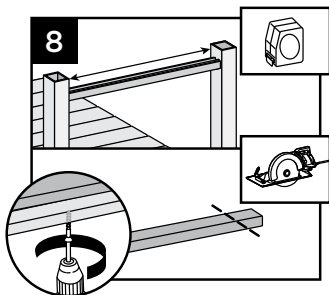
See instructions on page 66.

Attaching Inverted Universal Rail as Top Rail

7. Place inverted universal rail onto RSBs. Attach universal rail with three self-tapping screws provided (use three outer holes; do not use hole in RSB that is closest to post). If two hole bracket is included, attach with two self-tapping holes (provided).

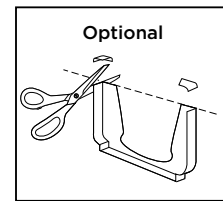
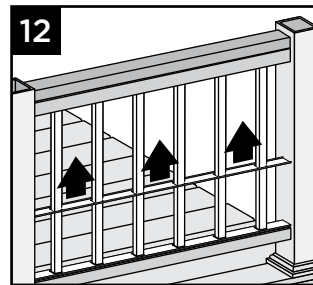
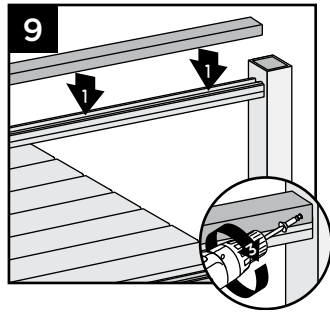


8. Measure between posts and cut 2" x 4" (51 mm x 102 mm) to length. Place 2" x 4" (51 mm x 102 mm) on universal rail. Attach board to rail with 2" (51 mm) pan-head screws (not provided) every 16" (406 mm) on center.



HOW TO INSTALL TRADITIONAL RAILING/CONTINUED TREX TRANSCEND

9. Pre-drill a pilot hole and toenail 2-1/2" (64 mm) composite decking screw (*not provided*) at each end of 2" x 4" (51 mm x 102 mm) into post on back side of rail (side not facing decking).



10. **Placing Baluster Spacers**
See instructions on page 66.

11. **Attaching Balusters**
See page 66 for standard baluster and instructions below for aluminum balusters.

12. Slide baluster spacer up and snap into universal rail.

NOTE: If necessary, cut tips off rail gaskets prior to installation.

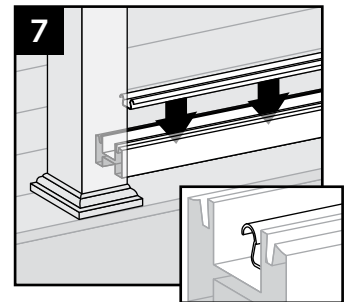
13. **Attaching Post Caps and Installing Foot Block**
Attach foot block per detailed instructions.

HOW TO INSTALL ROUND OR SQUARE ALUMINUM BALUSTERS TREX TRANSCEND

1. **Installing Pressure-Treated Posts**
See instructions on page 65.
2. **Installing Post Sleeve Skirts and Post Sleeves**
See instructions on page 65.
3. **Installing Railing Support Brackets (RSBs)**
See instructions on page 65.
4. **Cutting Railings and Baluster Spacers**
See instructions on page 66.
5. **Attaching Foot Block to Bottom Rail**
See instructions on page 66.
6. **Attaching Bottom Rail (Universal Rail)**
See instructions on page 66.

Installing Lower Aluminum Baluster Adaptor Strip

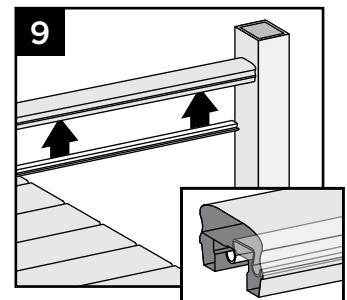
7. After bottom rail is fully installed, place aluminum baluster adaptor strip into channel of bottom rail, ensuring that it's fully seated into the channel. When rail lengths are non-standard, the baluster adaptor strip will need to be cut 2-1/2" (64 mm) shorter than the rail to allow clearance for the RSB's on each end.



8. **Attaching Top Rail**
See specific instructions based on top rail of choice.

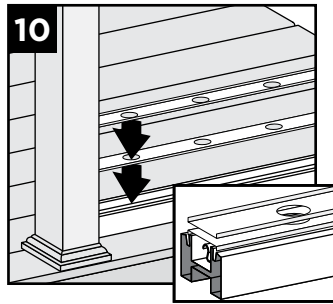
Installing Upper Aluminum Baluster Adaptor Strips and Baluster Spacers

9. After top rail is fully installed, place aluminum baluster adaptor strip into channel of top rail, ensuring that it's fully seated into the channel.

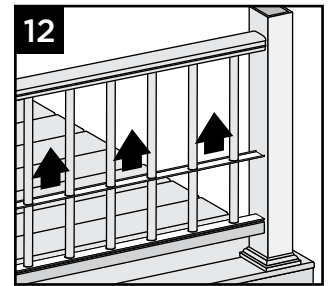


HOW TO INSTALL ROUND OR SQUARE ALUMINUM BALUSTERS/CONTINUED TREX TRANSCEND

10. Snap baluster spacer into bottom rail. Place inverted baluster spacer on top of first baluster spacer.

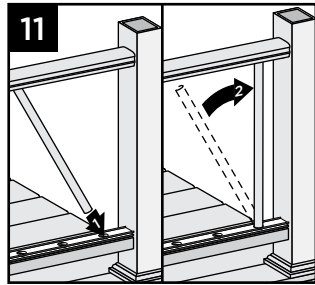


12. Slide baluster spacer up and snap into top rail. Place optional top rail gaskets on each end of rail.



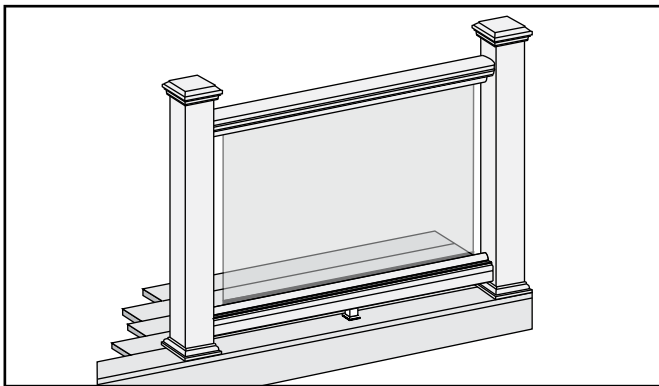
Attaching Balusters

11. Working at slight angle, press baluster through both baluster spacers and into bottom aluminum baluster adaptor strip, ensuring balusters are tight. Once balusters are seated into aluminum baluster adaptor strip on bottom rail, maneuver baluster into upper rail aluminum baluster adaptor strip. Some force will be needed to press balusters into place and level them.



***TIP:** Ensure balusters are level prior to attempting to slide baluster spacer up. This will allow for the baluster spacer to move up freely and snap into upper rail. Use of a rubber mallet to gently tap balusters in level is recommended.*

HOW TO INSTALL STANDARD GLASS PANEL RAILING TREX TRANSCEND



NOTES: Read all instructions **BEFORE** installation.

- » You must purchase the 1/4" (6 mm) tempered glass panels. See dimensions below.
- » Glass panels **ONLY** for use with maximum 6' (1.83 m) on center post spacing.
- » **Not** recommended for stair applications.



HOW TO INSTALL STANDARD GLASS PANEL RAILING/CONTINUED

TREX TRANSCEND

TEMPERED GLASS PANEL DIMENSIONS

- » **36" (914 mm) high rail:**
1/4" x 30" x 63-1/2" max.
(6 mm x 762 mm x 1613 mm)
- » **42" (1067 mm) high rail:**
1/4" x 36" x 63-1/2" max.
(6 mm x 914 mm x 1613 mm)

1. Installing Pressure-Treated Posts

See instructions on page 65.

2. Installing Post Sleeve Skirts and Post Sleeves

See instructions on page 65.

3. Installing Railing Support Brackets (RSBs)

See instructions on page 65.

4. Cutting Railings

See instructions on page 66.

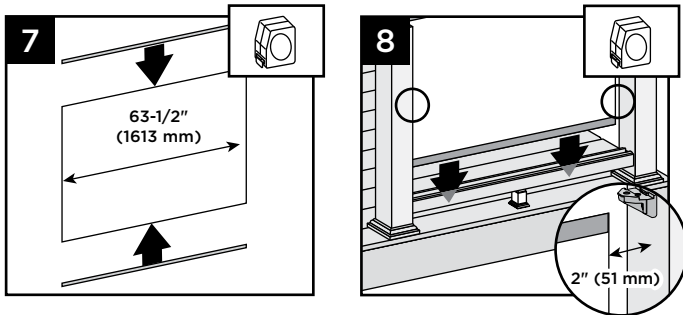
5. Attaching Foot Block to Bottom Rail

See instructions on page 66.

6. Attaching Bottom Rail (Universal Rail)

See instructions on page 66.

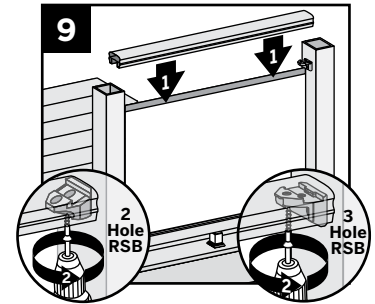
Attaching Weatherstripping and Positioning Panel



7. Push black-edged trim onto upper and lower edges of panel. Trim should be the exact length of the glass panel. Extra trim can be cut with razor blade or scissors.
8. Position panel with weatherstripping into lower rail channel. Center panel between posts with about 2" (51 mm) of air space on each side of panel.

Attaching Top (Crown) Rail

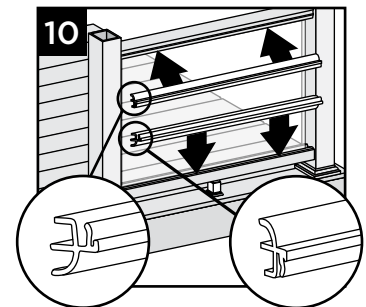
9. Place top rail over RSB brackets and glass panel. Attach top rail to RSB with three self-tapping screws provided (use three outer holes; do not use hole in RSB that is closest to post). If two hole bracket is included, attach with two self-tapping screws (*provided*).



NOTE: Avoid hitting glass panel while using the drill.

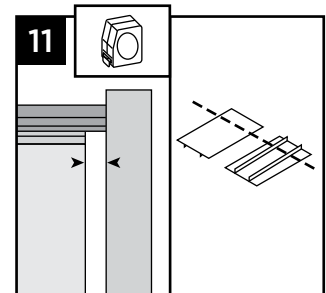
Attaching Panel Support Molding

10. Push PSM into rail to complete snap connection. Lower rail PSM edge rests on top of rail. Top rail PSM snaps flush into rail.

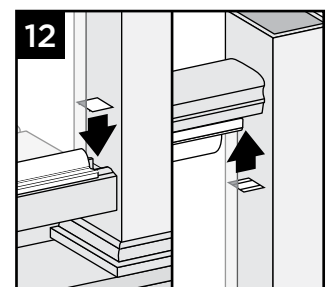


Hiding Brackets

11. Cut Transcend baluster spacer into four lengths equal to distance between the glass panel and posts. Cut slowly and one at a time, to avoid chipping.



12. Snap spacer into bottom and top rail to hide brackets and create a seamless look.

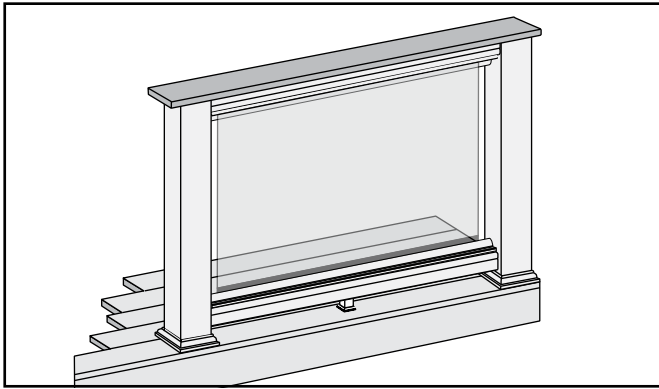


13. Attaching Post Caps and Installing Foot Blocks

See instructions on page 66 and detailed foot block instructions..

HOW TO INSTALL COCKTAIL STYLE GLASS PANEL RAILING

TREX TRANSCEND



NOTES: Read all instructions BEFORE installation.

- » You must purchase the 1/4" (6 mm) tempered glass panels. See dimensions below.
- » Glass panels **ONLY** for use with maximum 6' (1.83 m) on center post spacing.
- » **NOT** recommended for stair applications.
- » Trex post mounts cannot be used for this application.
- » If using Select decking, **USE** maximum length 1-3/4" (45 mm) screw and **NOT** 2" (51 mm) screw.
- » Screws that are used for attachment of decking board to railing **MUST** be attached at angle to prevent screw from penetrating through top of decking board.
- » **DO NOT** use Enhance (scalloped profile) or Escapes deck boards for top rail over universal rails.

TEMPERED GLASS PANEL DIMENSIONS

- » **36" (914 mm) high rail:**
1/4" x 30" x 63-1/2" max.
(6 mm x 762 mm x 1613 mm)
- » **42" (1067 mm) high rail:**
1/4" x 36" x 63-1/2" max.
(6 mm x 914 mm x 1613 mm)

1. Installing Pressure-Treated Posts

See instructions on page 65.

NOTE: If installing glass with cocktail rail design, rail posts and post sleeves must be cut.

1a. Cutting Post and Post Sleeve

See instructions on page 67.

2. Installing Post Sleeve Skirts and Post Sleeves

See instructions on page 65.

3. Installing Railing Support Brackets (RSBs)

See instructions on page 65.

4. Cutting Railings

See instructions on page 66.

5. Attaching Foot Block to Bottom Rail

See instructions on page 66.

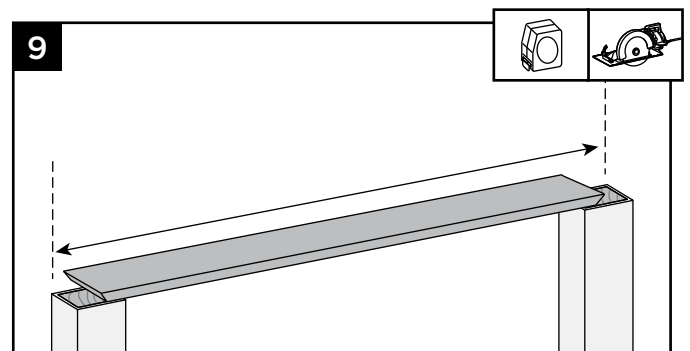
6. Attaching Bottom Rail (Universal Rail)

See instructions on page 66.

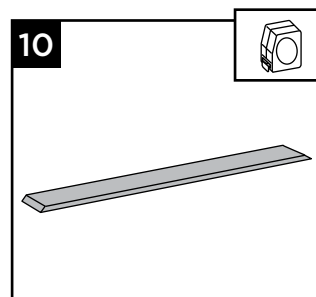
7-8. Attaching Weatherstripping and Positioning Panel

See instructions on page 71.

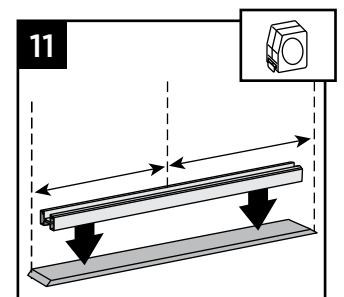
Attaching Top Rail



9. Cut deck boards to appropriate length of railing span, remembering to include extra space on each side of the deck board to allow for attachment to the post. Decking boards must cover 1/2 of the pressure-treated post to allow this to be fastened later. If you include extra decking material on each side, this can be cut off later if needed.



10. Place inverted deck board (top side of deck board down) on clean, flat surface.

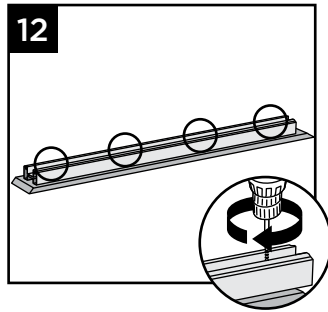


11. Place Universal rail (orient this properly so when flipped over, the universal rail will accept the baluster spacer and balusters), on the deck board, centered in both directions to allow final attachment to post.

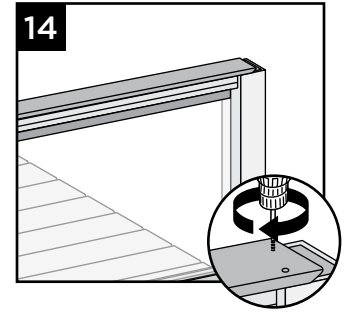


HOW TO ATTACH COCKTAIL STYLE GLASS PANEL RAILING/CONTINUED TREX TRANSCEND

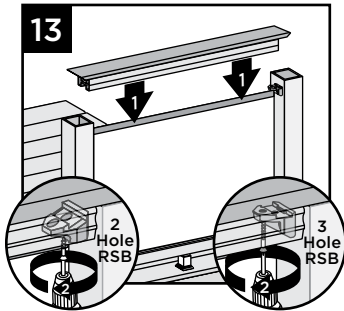
12. Secure deck board to Universal rail with 2" (51 mm) pan head screws (*not provided*) approximately every 16" (406 mm) on center at an angle. (**DO NOT** overtighten. Attach from underside of railing into bottom of decking board.)



14. **Attach Deck Board** to post (ensure that screws are attached to wood post) with Trex recommended composite screws (quantity of 2 per each board end).



13. Place inverted Universal rail with deck board attached onto RSB's with glass panel in the channel. Attach Universal rail to RSB's with three self-tapping screws provided (use three outer holes; do not use hole in RSB that is closest to post). If two hole bracket is included, attach with two self-tapping screws (*provided*).

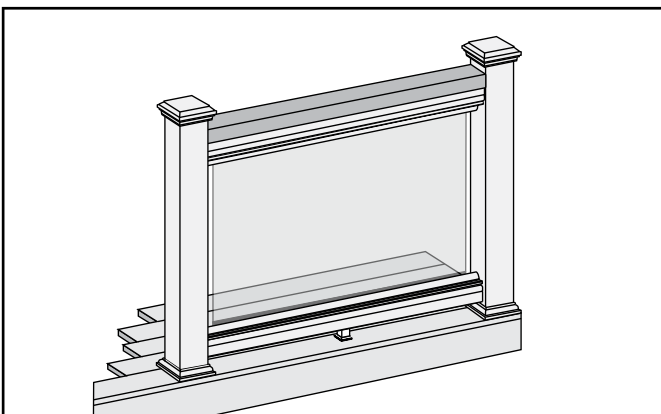


15. **Attaching Panel Support Moldings**
See instructions on page 71.

- 16-17. **Hiding Brackets**
See instructions on page 71.

18. **Installing Foot Block**
Attach foot block per detailed instructions.

HOW TO ATTACH TRADITIONAL STYLE GLASS PANEL RAILING TREX TRANSCEND



NOTES: Read all instructions BEFORE installation.

- » You must purchase the 1/4" (6 mm) tempered glass panels. *See dimensions below.*
- » Glass panels **Only** for use with maximum 6' (1.83 m) on center post spacing.
- » **NOT recommended for stair applications.**

TEMPERED GLASS PANEL DIMENSIONS

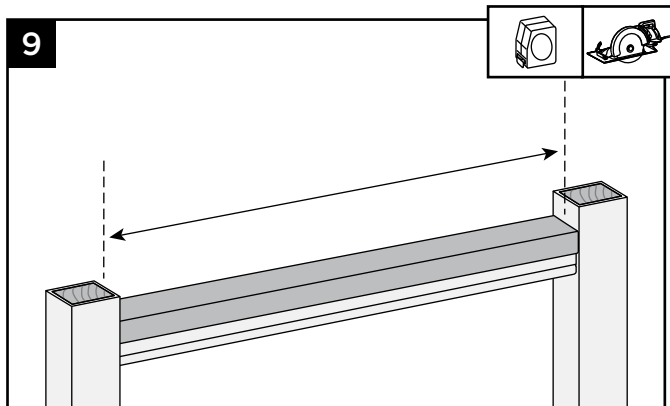
- » **36" (914 mm) high rail:**
1/4" x 30" x 63-1/2" max.
(6 mm x 762 mm x 1613 mm)
- » **42" (1067 mm) high rail:**
1/4" x 36" x 63-1/2" max.
(6 mm x 914 mm x 1613 mm)



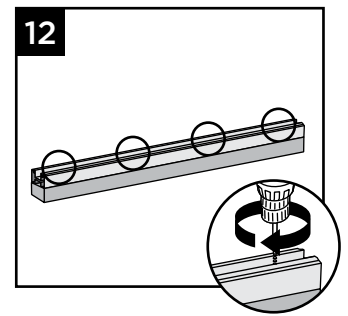
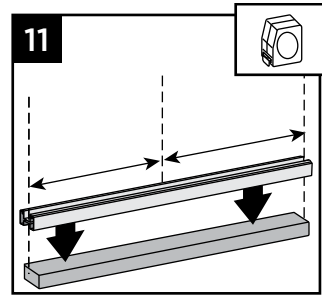
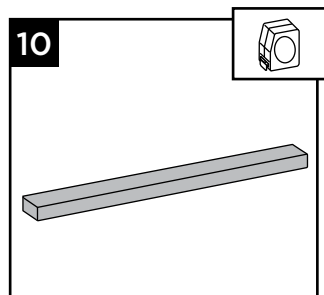
HOW TO ATTACH TRADITIONAL STYLE GLASS PANEL RAILING/CONTINUED TREX TRANSCEND

1. **Installing Pressure-Treated Posts**
See instructions on page 65.
2. **Installing Post Sleeve Skirts and Post Sleeves**
See instructions on page 65.
3. **Installing Railing Support Brackets (RSBs)**
See instructions on page 65.
4. **Cutting Railings**
See instructions on page 66.
5. **Attaching Foot Block to Bottom Rail**
See instructions on page 66.
6. **Attaching Bottom Rail (Universal Rail)**
See instructions on page 66.
- 7-8. **Attaching Weatherstripping and Positioning Panel**
See instructions on page 71.

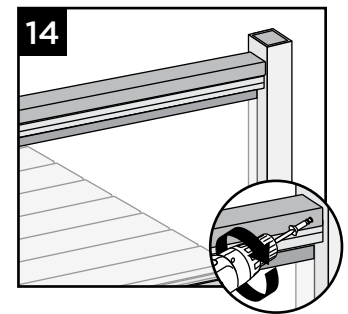
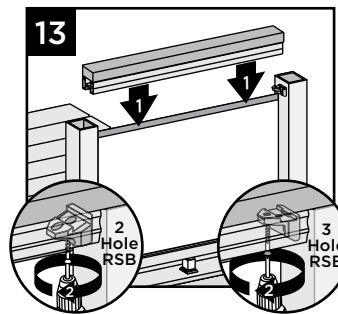
Attaching Top Rail



9. Cut 2" x 4" (51 mm x 102 mm) to same length of the inverted Universal rail.
10. Place inverted 2" x 4" (51 mm x 102 mm) (place top side down) on clean, flat surface.



11. Place Universal rail (remembering to orient this properly so that when flipped over, the Universal rail will accept the baluster spacer and balusters), on the 2" x 4" (51 mm x 102 mm), centered.
12. Secure 2" x 4" (51 mm x 102 mm) to Universal rail with 2" (51 mm) pan head screws (*not provided*) approximately every 16" (406 mm) on center.



13. Place inverted Universal rail with 2" x 4" (51 mm x 102 mm) attached onto RSB's with glass panel in the channel. Attach Universal rail to RSB's with three self-tapping screws provided. (Use three outer holes; do not use hole in RSB that is closest to post.) If two-hole bracket is included, attach with two self-tapping screws (*provided*).
14. Pre-drill a pilot hole and toenail 2-1/2" (64 mm) composite deck screw (*not provided*) at each end of the 2" x 4" (51 mm x 102 mm) into post on back side (side not facing decking).

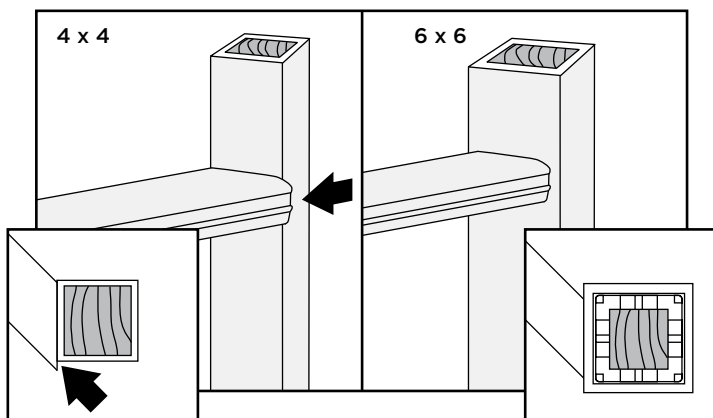
15. **Attaching Panel Support Moldings**
See instructions on page 71.

- 16-17. **Hiding Brackets**
See instructions on page 71.

18. **Attaching Post Caps and Installing Foot Block**
Attach foot block per detailed instructions.

HOW TO INSTALL ON-AN-ANGLE RAILING TREX TRANSCEND (CROWN AND UNIVERSAL RAILING)

NOTE: Trex railing brackets are designed to be installed up to a 45° angle.



NOTES:

- » Small angles (1° - 30°). Both 4" x 4" (102 mm x 102 mm) or 6" x 6" (152 mm x 152 mm) post sleeves work well.
- » Large angles (31° - 45°). **USE ONLY 6" x 6"** (152 mm x 152 mm) post sleeves when installing on flat side.
- » 45° angles using 4" x 4" (102 mm x 102 mm) post sleeves **MUST** use Transcend Bird's Mouth brackets.
- » Using 6" x 6" (152 mm x 152 mm) post sleeves at 45° angles. Brackets are installed off-center and use 45° Transcend gaskets.
- » Railing gaskets are designed to fit at 0°, 22.5°, and 45° angles. Gaskets are labeled with appropriate angle dimension.

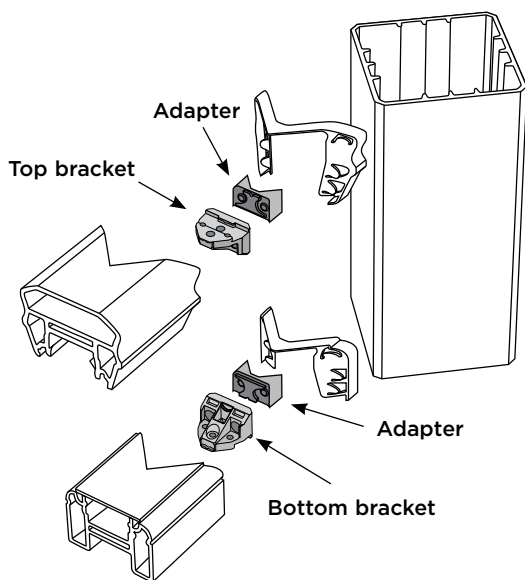
HOW TO INSTALL CROWN AND UNIVERSAL BIRD'S MOUTH RAILING TREX TRANSCEND

NOTES:

- » Use with 4" x 4" (102 mm x 102 mm) post sleeve **ONLY**.
- » Gaskets are only designed for use with Transcend Crown and Universal Railing.

Read all instructions before installation.

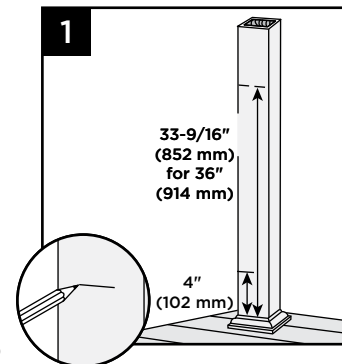
PARTS



Mark Posts

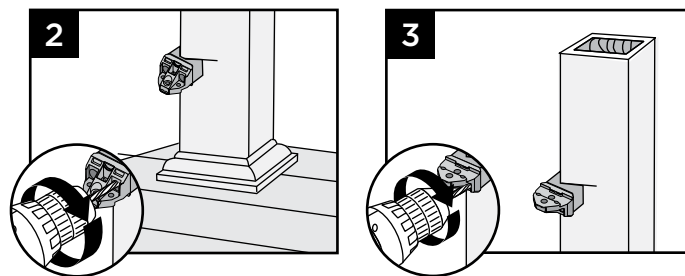
1. Measure and mark 4" (102 mm) and 33-9/16" (852 mm) up from top of post skirt.

NOTE: Without skirt, add 1-1/2" (38 mm) to measurements.



Attaching Adapters Snap adapters into RSBs.

Pre-drill Bottom and Top RSBs



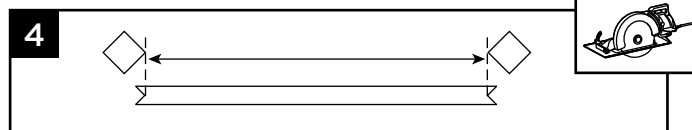
2. Position RSBs with adapter (**flat side DOWN**) for lower rail, mark and pre-drill screw holes with 1/8" (3 mm) drill bit on post.
3. Position RSBs with adapter (**flat side UP**) for top rail, mark and pre-drill screw holes with 1/8" (3 mm) drill bit on post.



HOW TO INSTALL CROWN AND UNIVERSAL BIRD'S MOUTH RAILING/CONTINUED

TREX TRANSCEND

Measuring and Cutting Rails

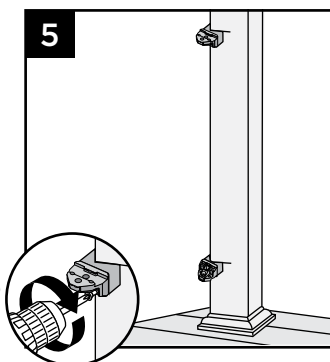


4. Measure from corner-to-corner between posts. Mark 45° cuts on rails with template on assembly tool. Center of "V's" is the distance from corner-to-corner for posts.

NOTE: Subtract 1/16" (1.6 mm) from each end to accommodate rail gaskets.

Attaching Top and Bottom RSBs

5. Attach RSBs with adapters to posts with wood screws (provided).

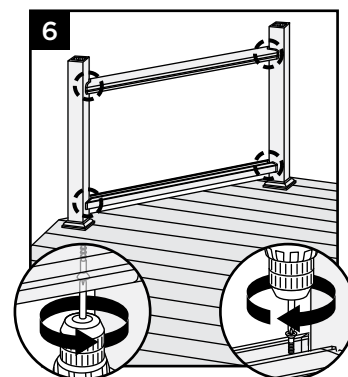


NOTES:

- » Drill at slight inward angle to drill holes on marks.
- » Lay cut lower rail into position on decking surface between the posts before attaching the lower RSB. There may be some difficulty attaching the lower rail if you fail to do this.

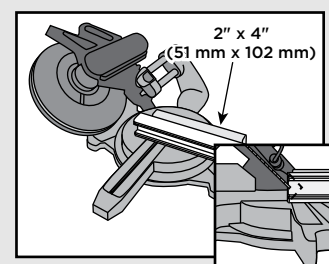
Installing Railings to RSB's

6. Attach with self-tapping screws (provided).



Using Miter Box Saw to Cut Rails

1. Place 2" x 4" (51 mm x 102 mm) on edge behind the rail to allow for complete cut.
2. Angle blade to 45°.
3. Set stop on saw so blade travels half the depth of rails. Several test cuts can be made on scrap material to accurately set the stop.
4. "V" cut both sides of the rail.



NOTE: Transcend's Crown and Universal Rails will require different stop settings.

HOW TO INSTALL CROWN AND UNIVERSAL STAIR RAILING

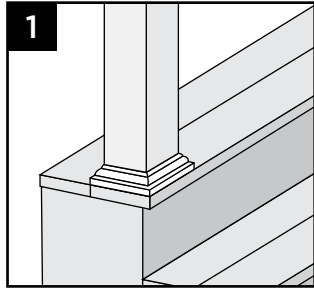
TREX TRANSCEND®

Read all instructions BEFORE installation.

NOTE: All Transcend railings and gaskets **ONLY** work with stair slopes of 32°-37°.

Installing Posts, Post Sleeve Skirts, and Post Sleeves for Stair Rails

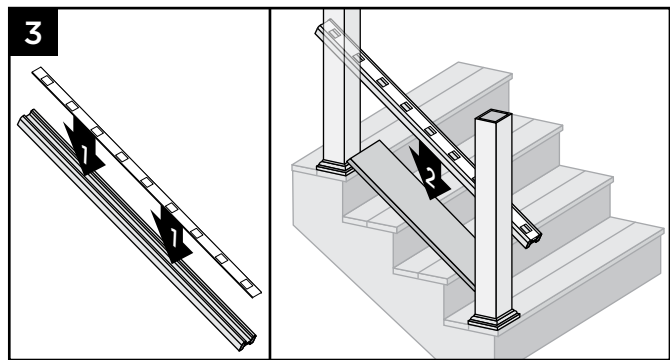
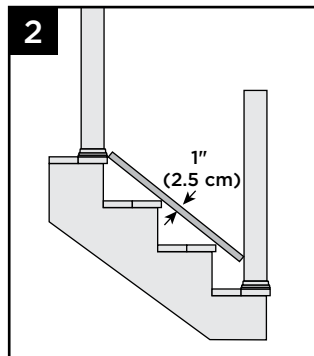
1. Install posts, post sleeve skirts, and post sleeves according to standard Transcend railing instructions. See page 65.



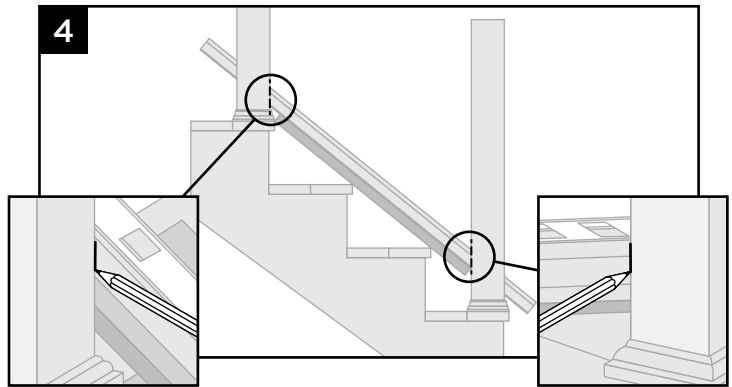
- » In most cases, a post and post sleeve longer than 39" (991 mm) will be needed on the lower section of stair rail to accommodate stair angle.
- » Make sure top and bottom posts for stairs are installed at nose of each tread.

Measuring and Cutting Bottom Stair Rail

2. Place a 1" (254 mm) deckboard on the nose of the stair tread.

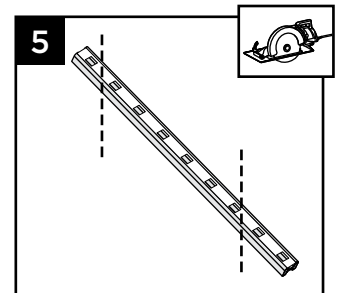


3. Snap baluster spacer into lower stair rail and lay lower stair rail on top of the deckboard.



4. Use the lower and upper stair post to set the length of the lower stair rail. Ensure that baluster spacer holes are spaced evenly between posts. Also allow for a minimum of 1-1/2" (292 mm) at each end of the stair rail for bracket placement and baluster clearance. Mark rail at post intersections.

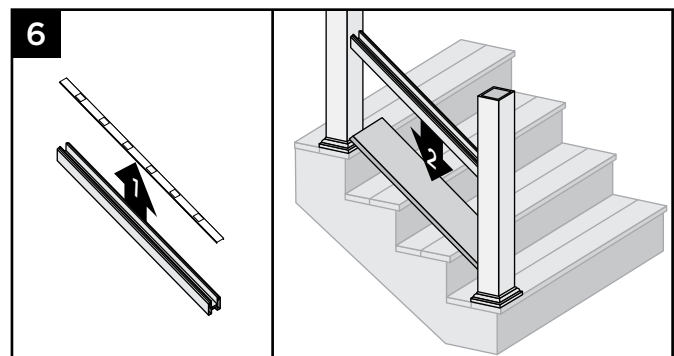
5. Remove lower rail, keeping baluster spacer in rail, and cut along marks.



NOTES:

- » If using railing gaskets, subtract 1/16" from each end and cut.
- » **KEEP BALUSTER SPACER IN RAILING WHEN CUTTING. CUT VERY CAREFULLY TO NOT BREAK BALUSTER SPACER.**

Attaching RSB's for Bottom Stair Rail

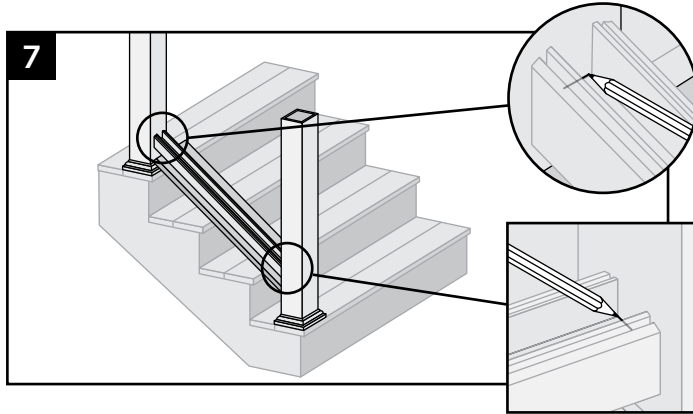


6. Remove baluster spacer from bottom rail and place rail in between posts, keeping rail on deckboard.



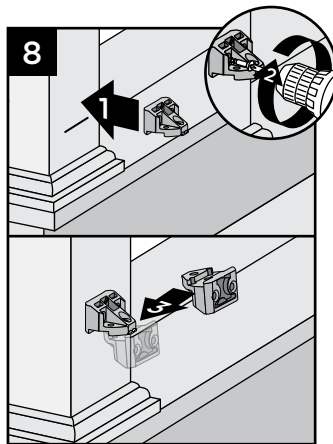
HOW TO INSTALL CROWN AND UNIVERSAL STAIR RAILING/CONTINUED

TREX TRANSCEND®

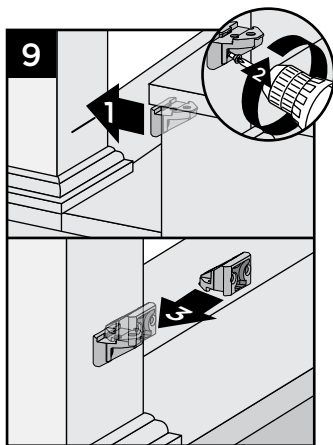


7. Mark both posts on inside channel of the bottom stair rail.
Remove bottom stair rail.

8. For **UPPER** post - install **RSB FLAT SIDE DOWN, ABOVE MARKED LINE**, using two wood screws provided. Take second RSB, turn upside down and interlock into bracket.



9. For **LOWER** post - install **RSB FLAT SIDE UP, ABOVE MARKED LINE**, using two wood screws provided. Take second RSB, turn upside down and interlock into bracket.



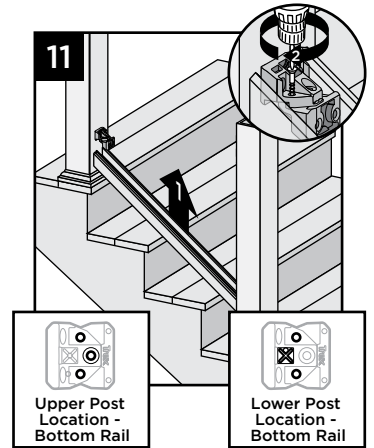
Attaching Foot Block to Bottom Rail

10. See detailed instructions included with foot block.

Attaching Bottom (Universal) Stair Rail

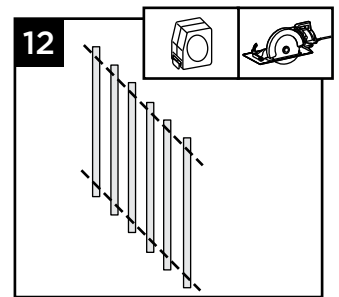
11. Lift bottom stair rail so RSB's are in the channel and attach with 3 self-tapping screws provided. Use the three outer holes in RSB to attach screws.

Tip: Deckboard can be placed underneath bottom stair rail to help hold rail firmly in place while attaching.

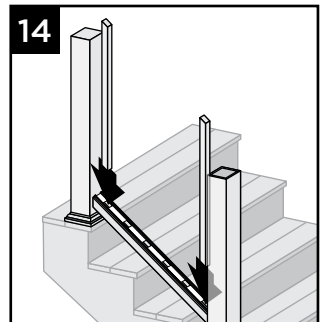
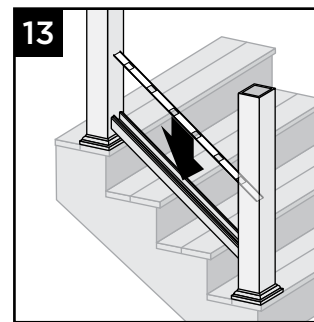


Cutting Balusters on Angle

12. Balusters will seat properly when cut on same angle as railing. Ensure that cuts are taken from both ends/tips of balusters as shown to retain overall same length of the balusters.



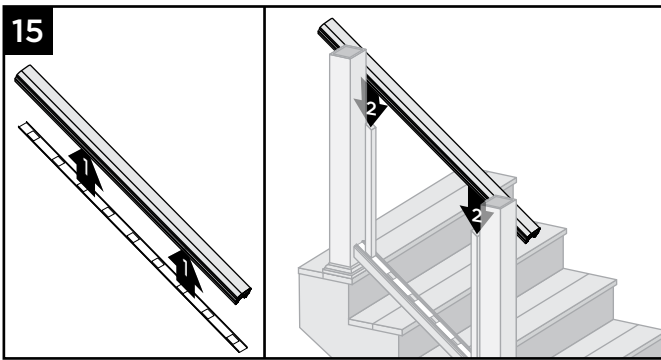
Measuring and Cutting Top Stair Rail



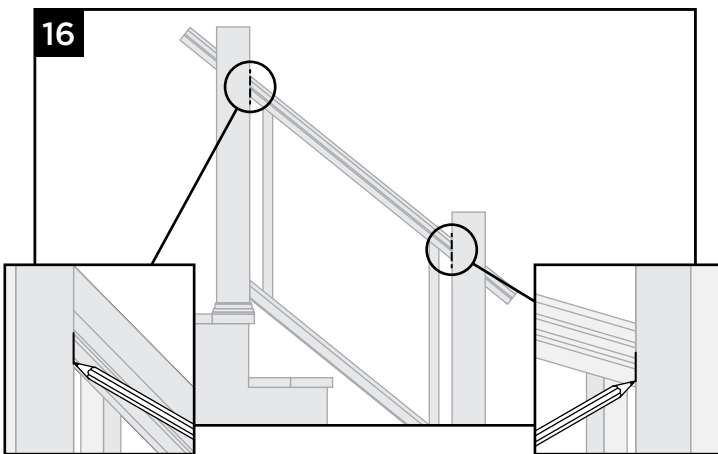
13. Snap bottom baluster spacer into bottom stair rail.
14. Place two balusters into lower stair rail at each end closest to the post.

HOW TO INSTALL CROWN AND UNIVERSAL STAIR RAILING/CONTINUED

TREX TRANSCEND®

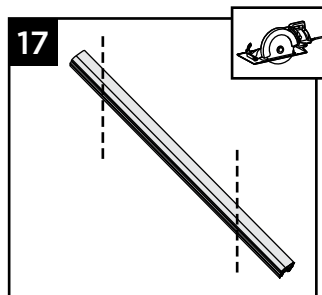


15. Snap baluster spacer into top stair rail. Position top stair rail onto balusters, ensuring balusters are fully seated in rail (position to side of post), and **ENSURE** that balusters are spaced evenly **AND** parallel with post. Also allow for a minimum of 1-1/2" (292 mm) at each end of the stair rail for bracket placement and baluster clearance.



16. Mark rail at post intersection.

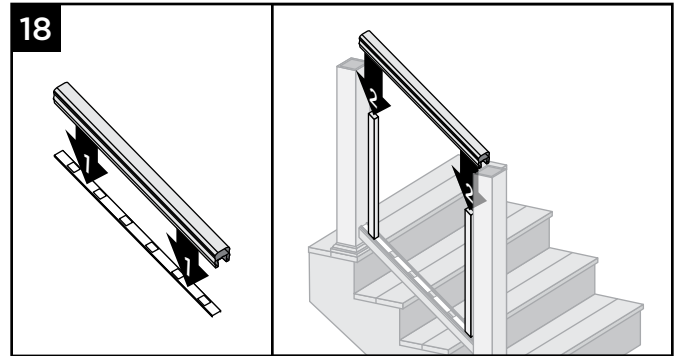
17. Remove upper rail, keeping baluster spacer in rail, and cut along marks.



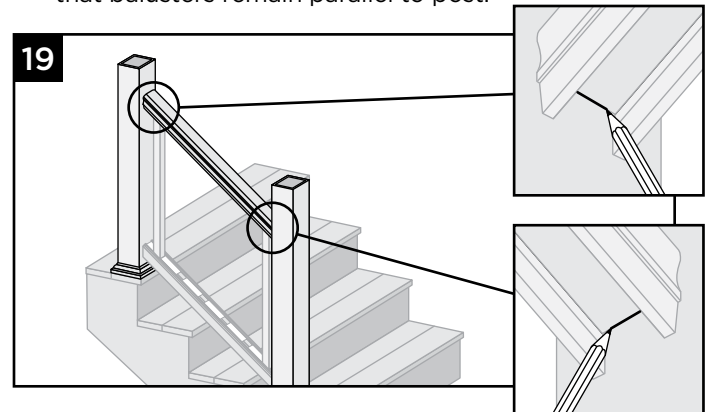
NOTES:

- » If using railing gaskets, subtract 1/16" from each end and cut.
- » **KEEP BALUSTER SPACER IN RAILING WHEN CUTTING. CUT VERY CAREFULLY IN ORDER TO NOT BREAK BALUSTER SPACER.**

Attaching RSB's for Top Stair Rail

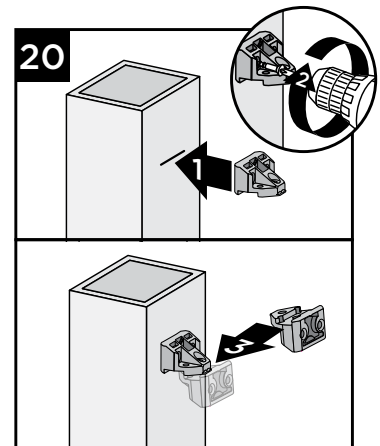


18. Remove baluster spacer from top stair rail and place rail in between posts on top of balusters, **ENSURING** that balusters remain parallel to post.



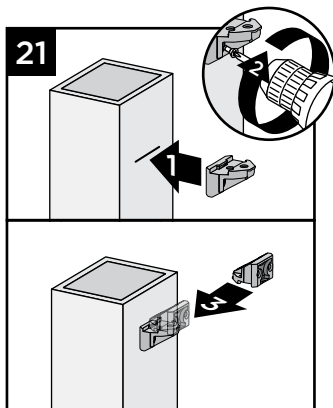
19. Mark both posts on inside channel of the top stair rail. Remove top stair rail.

20. For **UPPER** post - install **RSB FLAT SIDE DOWN BELOW MARKED LINE**, using two wood screws provided. Take second RSB, turn upside down and interlock into bracket.

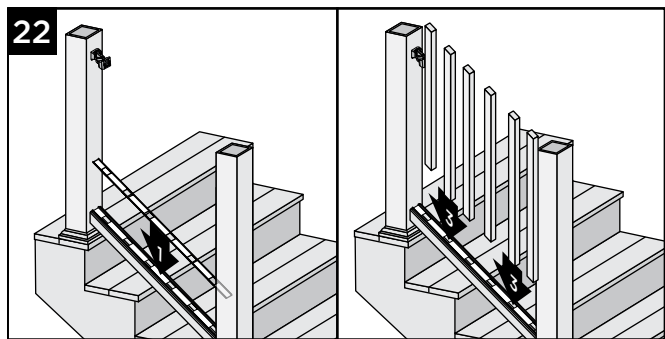


HOW TO INSTALL CROWN AND UNIVERSAL STAIR RAILING/CONTINUED TREX TRANSCEND[®]

21. For **LOWER** post - install **RSB FLAT SIDE UP BELOW MARKED LINE**, using two wood screws provided. Take second RSB, turn upside down and interlock into bracket.



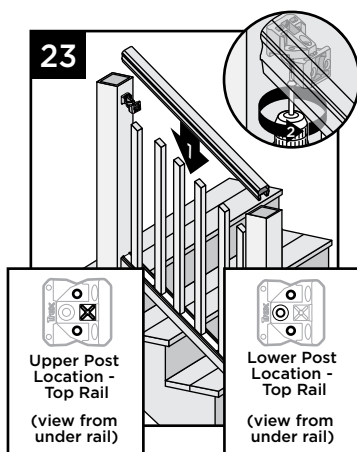
Installing Inverted Top Baluster Spacer and Placing Balusters



22. Place inverted top baluster spacer on bottom rail/rail/baluster spacer, ensuring that baluster holes line up parallel. Install balusters into lower stair rail.

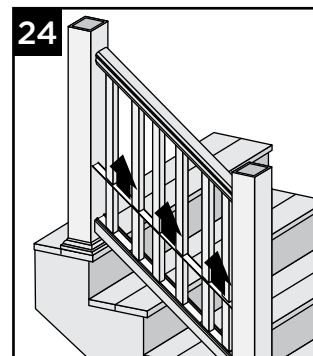
Attaching Top Stair Rail

23. Place top stair rail on RSB's in rail channel (ensuring balusters are also in channel of rail). Attach with 3 self-tapping screws provided. Use the three outer holes in RSB to attach screws.



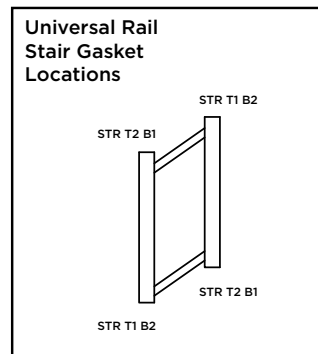
NOTE: If a railing configuration other than Crown railing is installed (as shown above), refer to other Railing Configurations in Horizontal sections for additional requirements.

24. Slide baluster spacer up and snap into top rail.



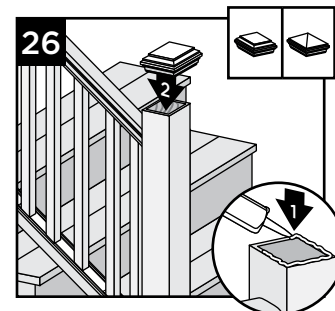
Attaching Optional Gaskets

25. Stair railing gaskets are designed to fit at slopes of 32° to 37°. Gaskets are labeled in order to ensure correct location.



Attaching Post Caps and Installing Foot Block

26. Secure post caps with silicone or PVC adhesive. Attach foot block per foot block instructions.



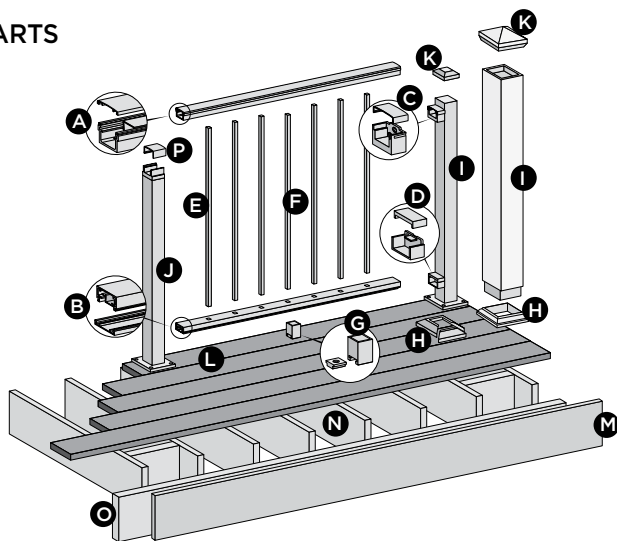
NOTE: Clean-up any excess adhesive before it dries.

TREX® SIGNATURE™ RAILING

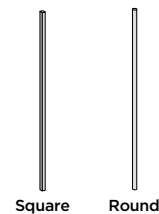
NOTES:

- » TREX® SIGNATURE™ POSTS CANNOT BE USED WITH TREX® SIGNATURE™ TRADITIONAL OR TREX® SIGNATURE™ COCKTAIL DESIGNS, ONLY PRESSURE-TREATED POSTS/POST SLEEVES CAN BE USED. REFER TO DETAILED INSTRUCTIONS FOR MORE INFORMATION.
- » TREX® SIGNATURE™ RAILINGS ARE DESIGNED TO BE ATTACHED WITH POSTS INSTALLED AT A CLEAR SPAN OF 6' (1.83 M) OR 8' (2.44 M).
- » IF INSTALLING AT EXACT SPAN LENGTHS OF 6' (1.83 M) OR 8' (2.44 M), AND USING POST-TO-POST CONFIGURATION, THE BOTTOM RAIL WILL NOT NEED TO BE CUT, BUT THE TOP RAIL WILL NEED TO BE MEASURED (MAKING SURE BALUSTERS LINE UP VERTICALLY) AND CUT.
- » IF INSTALLING AT EXACT SPAN LENGTHS OF 6' (1.83 M) OR 8' (2.44 M), AND USING CROSSOVER POST CONFIGURATION (SPANS FROM ONE CROSSOVER POST TO ANOTHER CROSSOVER POST), BOTH THE BOTTOM RAIL AND TOP RAIL WILL NOT NEED TO BE CUT.
- » IN ADDITION, AT ALL FINAL END POST CONFIGURATIONS, TOP RAIL WILL NEED TO BE MEASURED (MAKING SURE BALUSTERS LINE UP VERTICALLY) AND CUT.
- » SEE INFORMATION WITHIN DETAILED INSTRUCTIONS FOR MORE INFORMATION.
- » SEE PAGE 59 FOR SKU NUMBERS.

PARTS



BALUSTER OPTIONS



DETERMINING BALUSTERS NEEDED

Baluster Type	Per 6' Section	Per 8' Section	Per 6' Stair Section	Per 8' Stair Section
Square	15	20	13	17
Round	15	20	13	17

NOTE: THIS IS AN OVERVIEW OF ALL RAILING COMPONENTS FOR TREX® SIGNATURE™ HORIZONTAL APPLICATIONS - REFER TO DETAILED INSTRUCTIONS FOR SPECIFIC RAILING CONFIGURATIONS.

- A. Trex® Signature™ top rail and crowned cover
 - 6' (actual length 73.5" [186.7 cm])
 - 8' (actual length 97.5" [247.7 cm])
- B. Trex® Signature™ bottom rail and flat cover
 - 6' Rail (actual length 71.5" [181.6 cm])
 - 6' Cover (actual length 70.0" [177.8 cm])
 - 8' Rail (actual length 95.5" [242.6 cm])
 - 8' Cover (actual length 94.0" [238.8 cm])
- C. Trex® Signature™ upper rail bracket and cover
- D. Trex® Signature™ lower rail bracket and cover
- E. Trex® Signature™ balusters (square or round)
- F. Trex® Signature™ center baluster (square or round)
- G. Trex® Signature™ foot block**
- H. Trex® Signature™ post skirt or post sleeve skirt*
- I. Trex® Signature™ post*
 - 36" (actual length 37" [94.0 cm])
 - 42" (actual length 43" [109.2 cm])
 - or Trex post sleeve***
 - 36" (actual length 39" [99.1 cm])
 - 42" (actual length 45" [114.3 cm])
- J. Trex® Signature™ crossover post*
 - 36" (actual length 34.5" [87.6 cm])
 - 42" (actual length 40.5" [102.9 cm])
- K. Trex® Signature™ post cap or post sleeve cap*
- L. Trex decking
- M. Trex Fascia
- N. Code-approved wood joist 2" x 8" (5.1 cm x 20.3 cm) or larger
- O. Code-approved wood rim joist 2" x 8" (5.1 cm x 20.3 cm) or larger
- P. Crossover bracket cover (supplied with crossover post)

* Item not included in Trex® Signature™ Railing kits.

** Required ONLY for All Clear Span Applications over 6' (1.83 m) when smaller fixed baluster is fully centered, or unsupported spans greater than 5' (1.52 m) (example: 8' (2.44 m) span cut into one 5' (1.52 m) span and one 3' (0.91 m) span would require foot block under 5' (1.52 m) span since smaller fixed baluster is no longer centered). Included with 8' (2.44 m) railing kits.

*** Both 4" x 4" (10.2 cm x 10.2 cm) and 6" x 6" (15.2 cm x 15.2 cm) post sleeves are designed to fit over 4" x 4" pressure-treated post.

NOTE: If installing 42" (106.7 cm) railing, and using pressure-treated posts with Trex post sleeves, ensure that a longer pressure-treated post is used along with longer post sleeve, both cut to a height of 46" (116.8 cm) from decking surface.

NOTE: MUST USE TREX DECK MOUNT POST HARDWARE AND METAL PLATE WHEN ATTACHING TREX® SIGNATURE™ POSTS.

INSTALLING TREX® SIGNATURE™ POSTS AND/OR TREX® SIGNATURE™ CROSSOVER POSTS ON WOOD OR CONCRETE

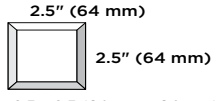
IMPORTANT NOTES:

- » EACH POST MUST BE ATTACHED AS SHOWN TO ENSURE A CODE-COMPLIANT AND SAFE INSTALLATION.
- » TREX® SIGNATURE™ POSTS CANNOT BE USED WITH TREX® SIGNATURE™ TRADITIONAL OR TREX® SIGNATURE™ COCKTAIL DESIGNS, ONLY PRESSURE-TREATED POST/POST SLEEVES CAN BE USED. REFER TO DETAILED INSTRUCTIONS FOR MORE INFORMATION.
- » ALWAYS refer to your local building code official prior to installing any railing system to ensure all code and safety requirements are met. Trex cannot be held responsible for improper or non-recommended installations.
- » When installing Trex® Signature™ posts on ACQ, CCA or concrete surfaces, use an appropriate isolation barrier between post and surface (contact local building code official if needed).
- » For installing Trex® Signature™ Post and/or Trex® Signature™ Crossover Posts, see below.
- » For pressure-treated posts, post sleeves, and skirts, see detailed instructions provided with Trex® Signature™ Railing Kits.
- » All Trex® Signature™ stair installations require the use of a 53" (1346 mm) stair post, measured and cut to appropriate length if necessary.
- » If crossover stair post is required, use stair post (again cut to appropriate length if necessary) and use swivel crossover bracket.
- » If installing on concrete, make sure all surfaces are level.

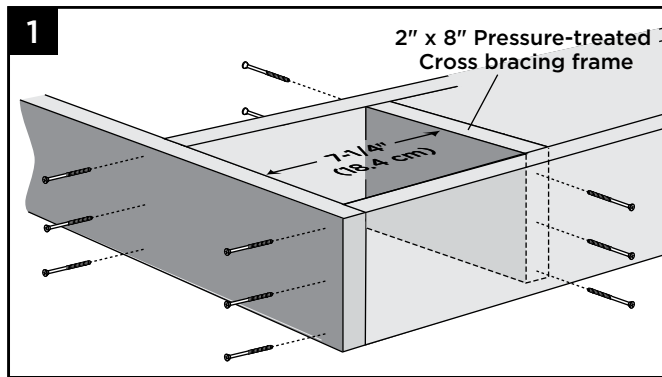
TOOLS AND MATERIALS NEEDED

- » Drill and/or screw gun (hammer drill for concrete)
- » 1/2" (13 mm) drill bit for wood, 3/8" (10 mm) drill bit for concrete
- » Blocking - 2" x 8" (51 mm x 203 mm) pressure-treated Southern Yellow Pine or equivalent
- » Qty: 36 (per post) - 3" pressure-treated compatible wood screws

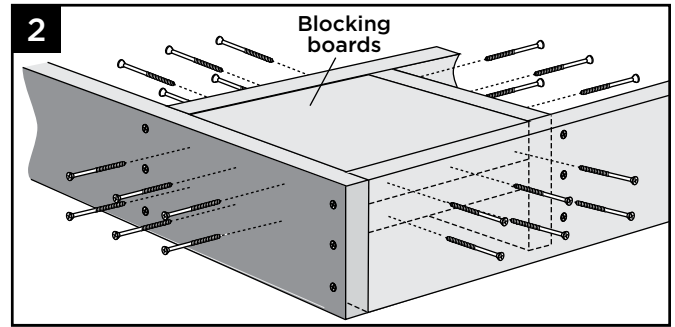
CODE APPROVED POST APPLICATIONS

POST SIZE	 2.5 x 2.5 (64 mm x 64 mm) Post (IRC)
< 30" height decking	Acceptable (Code Approval not Applicable)
IRC Compliant	Yes
IBC Compliant	No

Installing Trex® Signature™ Posts and/or Trex® Signature™ Crossover Posts on Pressure-Treated Wood Framing (Corner Post Installation)



1. Install 2" x 8" (51 mm x 203 mm) cross bracing frame in between joists at 7-1/4" (184 mm). Attach a total of twelve 3" (76 mm) pressure-treated compatible screws (not provided).

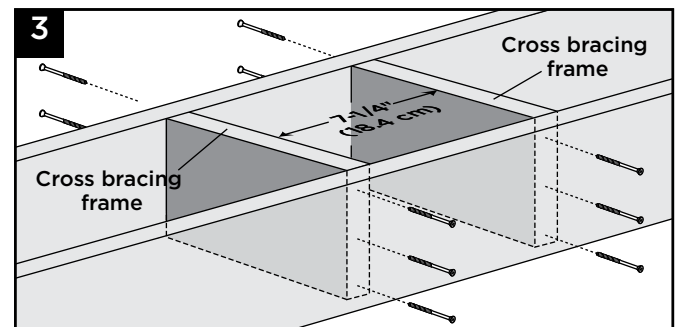


2. Install two 2" x 8" (51 mm x 203 mm) boards as blocking under post location. Securely attach blocking using a total of 24 3" (76 mm) pressure-treated compatible screws (not provided).

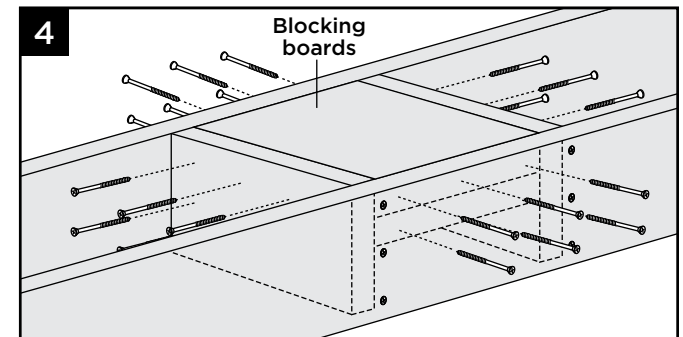
NOTE: TO ENSURE THE BLOCKING IS FULLY SECURE, USE THE AMOUNT OF SCREWS indicated ABOVE.

TIP: Use two additional screws to "sandwich" blocking boards together for easier attachment to framing.

Line Post Installation



3. Install two 2" x 8" (51 mm x 203 mm) cross bracing frames in between joists at 7-1/4" (184 mm). Attach a total of twelve 3" (76 mm) pressure-treated compatible screws (not provided).

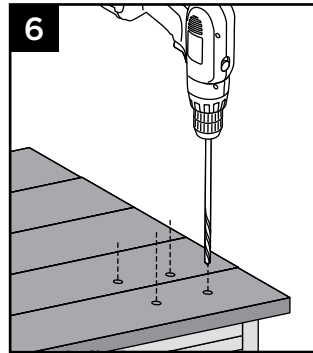
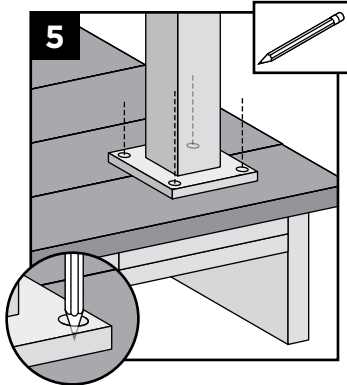


4. Install two 2" x 8" (51 mm x 203 mm) boards as blocking under post location. Securely attach blocking using a total of twenty-four 3" (76 mm) pressure-treated compatible screws (not provided).

INSTALLING TREX® SIGNATURE™ POSTS AND/OR TREX® SIGNATURE™ CROSSOVER POSTS ON WOOD OR CONCRETE/CONTINUED

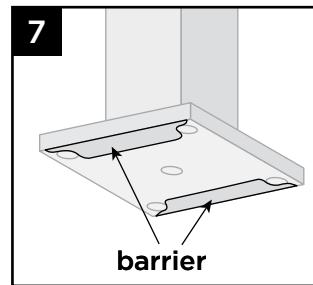
NOTES:

» *Metal backplate is only required for 2.5" (64 mm) post in IRC installations. (Consult local code official for more information.)*

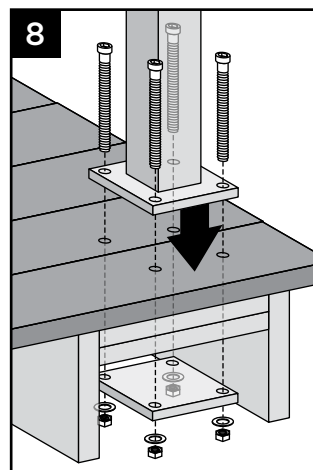


5. Using post as a template, mark locations of holes.
6. Drill through decking and blocking boards using 5/8" diameter bit (long drill bit will be required).

7. Insert the (2) stainless steel barrier strips under the mounting bolt holes. **BARRIER STRIPS ARE REQUIRED ONLY IF ATTACHING POST DIRECTLY TO PRESSURE TREATED FRAMING.**

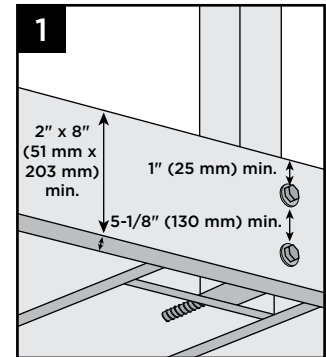


8. Attach posts using four 3/8" x 6" (10 mm x 152 mm) hex cap bolts, washers, and nuts, along with aluminum back plate on underside of blocking. If the project requires IRC compliance, this back plate **MUST** be installed under the decking to ensure this will meet code compliance. Reference SKU part number ALPOSTHWDECK for required hardware and aluminum plate. (Consult local code official for more information on IRC Compliance.)



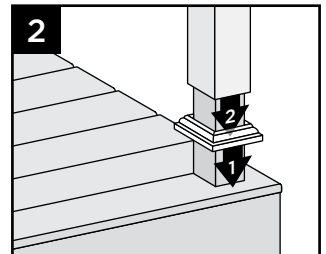
INSTALLING PRESSURE-TREATED POSTS, POST SLEEVES, AND SKIRTS TO USE WITH TREX® SIGNATURE™ RAILING

1. Attach posts using 1/2" (13 mm) carriage bolts.
 - » Minimum joist size is 2" x 8" (51 mm x 203 mm).
 - » Top bolts must be 1" (25 mm) from top of joists.
 - » Bottom bolts must be 5-1/8" (130 mm) from top bolts.



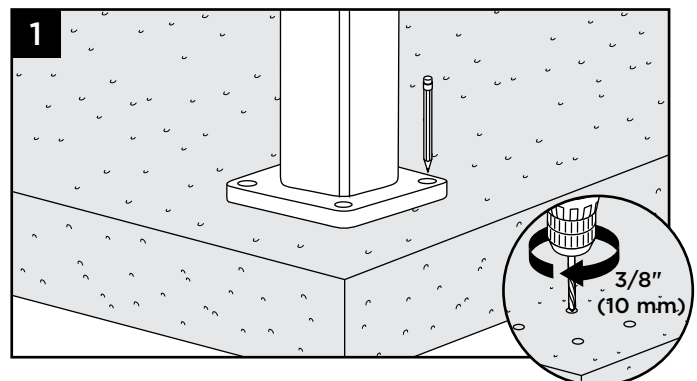
NOTE: Blocking can be added for extra strength.

2. Slide post sleeve skirt over post and down to rest on decking surface. Slide post sleeve over post and position inside post sleeve skirt.



NOTE: Shims can be used to plumb post sleeves.

Installing Trex® Signature™ Posts on Concrete Pre-Drilled Holes

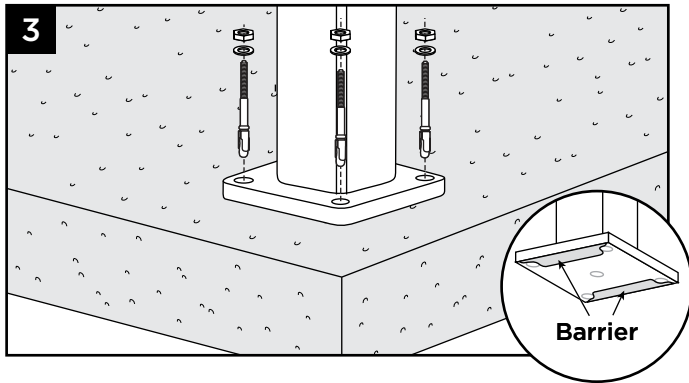


1. Using post as a template, mark locations of the four holes and drill into concrete at least 2-5/8" (67 mm) using a 3/8" (10 mm) masonry bit.

NOTE: You can either set drill bit to correct depth on drill or mark drill bit with tape at required dimension to ensure all holes are drilled at correct depth.

2. Clean out holes to remove all concrete dust using a shop vacuum or other appropriate tool.

INSTALLING TREX® SIGNATURE™ POSTS AND/OR TREX® SIGNATURE™ CROSSOVER POSTS ON WOOD OR CONCRETE/CONTINUED

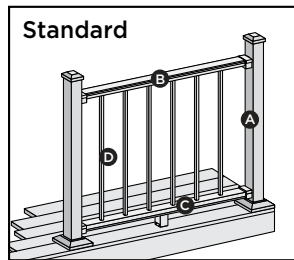


3. Insert (2) stainless steel barrier strips under mounting bolt holes. Use appropriate shims if posts are not plumb. Attach posts using four TREX SUPPLIED 3/8" x 3-3/4" (10 mm x 95 mm) wedge anchors. Reference SKU part number ALPOSTHWCONC for required hardware (wedge anchors, washers, and nuts).

NOTES:

- » When using hammer to tap anchors in place, keep threaded nut at top of anchor in order to not damage threads.
- » Recommended torque for anchors is 20 ft-lbs.

TREX® SIGNATURE™ RAILING CONFIGURATIONS

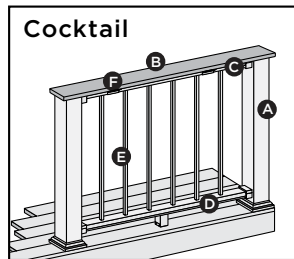


Cutting posts/post sleeves is **NOT** required.

- A. Trex® Signature™ post, pressure-treated post or Trex Post Mounts* with Trex Transcend post sleeves, or Trex Joist Mount Posts*
- B. Trex® Signature™ top rail
- C. Trex® Signature™ bottom rail
- D. Trex® Signature™ balusters

See page 86 for "How to Install Standard Railing".

***NOTE:** See specific installation instructions for attachment of Trex post mounts or Trex Joist Mount Posts prior to installing any railing.

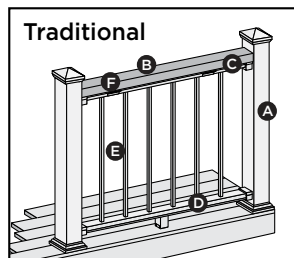


Post sleeves will need to be cut.

- A. Pressure-treated post with Trex Transcend post sleeve
NOTE: » Only for use with 4" x 4" (102 mm x 102 mm) post sleeve.
» Trex® Signature™ Posts, Trex Post Mounts or Joist Mount Posts cannot be used with Trex® Signature™ Cocktail design.
- B. Deck board top rail. **NOTE:** Enhance (scalloped profile) and Escapes cannot be used.
- C. Trex® Signature™ top rail
- D. Trex® Signature™ bottom rail
- E. Trex® Signature™ balusters
- F. Trex® Signature™ Cocktail Rail Bracket**

See page 98 for "How to Install Signature Cocktail Railing".

POST SLEEVES WILL NEED TO BE CUT



Cutting posts/post sleeves is Not required.

- A. Pressure-treated post, Trex Post Mounts* or Trex Joist Mount Post WITH Trex Transcend post sleeves.
NOTE: » Trex® Signature™ Posts or Trex® Signature™ Joist Mount Posts cannot be used.
- B. 2" x 4" (51 mm x 102 mm) lateral top rail
- C. Trex® Signature™ top rail
- D. Trex® Signature™ bottom rail
- E. Trex® Signature™ balusters
- F. Trex® Signature™ Cocktail Rail Bracket**

See page 99 for "How to Install Trex® Signature™ Traditional Railing".

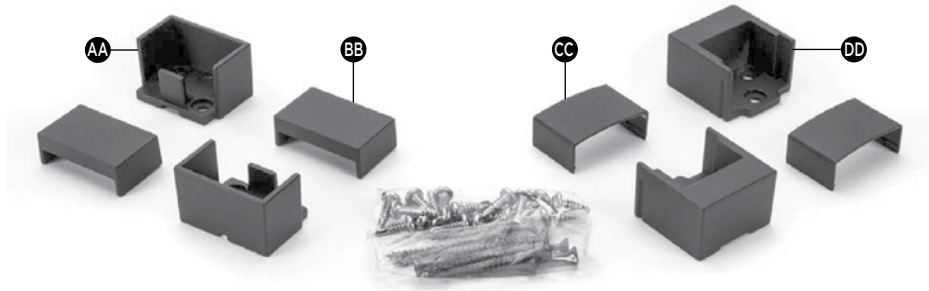
** Trex® Signature™ Cocktail Rail brackets (sold separately) are for use with either Trex® Signature™ Traditional or Trex® Signature™ Cocktail designs. For a 6' section, use 4 brackets and screws provided, for 8' section, use 5 brackets and screws provided.

BRACKET HARDWARE - HORIZONTAL APPLICATIONS (INCLUDING HORIZONTAL SWIVEL BRACKETS)

TREX® SIGNATURE™

HORIZONTAL RAILING HARDWARE

- AA. Lower rail bracket
- BB. Lower rail bracket cover
- CC. Upper rail bracket cover
- DD. Upper rail bracket



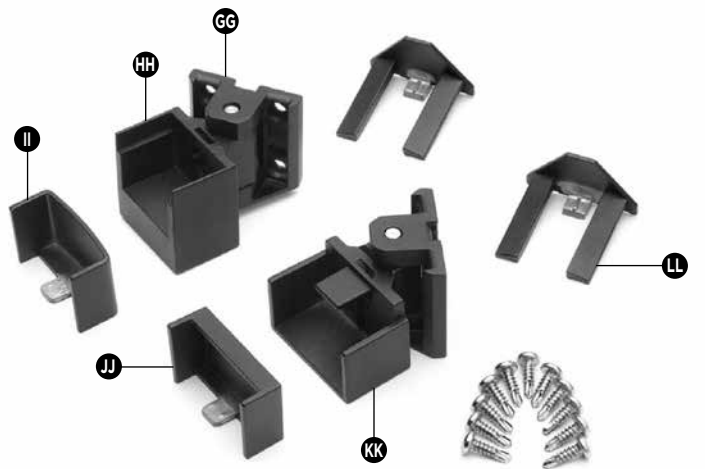
FOOT BLOCK COMPONENTS

- EE. Foot block base
- FF. Foot block support



HORIZONTAL SWIVEL HARDWARE

- GG. Swivel base
- HH. Horizontal swivel bracket top rail
- II. Horizontal swivel bracket top rail cover
- JJ. Horizontal swivel bracket bottom rail cover
- KK. Horizontal swivel bracket bottom rail
- LL. Swivel base cover



NOTE: Construction methods are always improving. Please refer to www.trex.com for the most up-to-date installation requirements.

HOW TO INSTALL HORIZONTAL RAILING

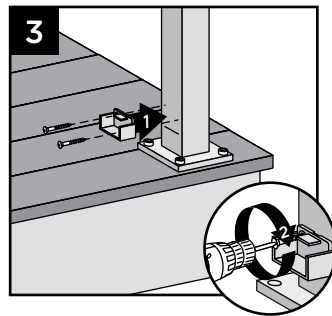
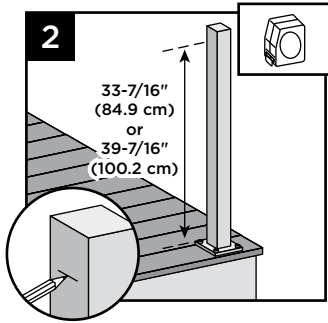
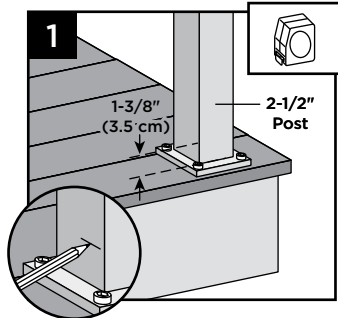
TREX® SIGNATURE™ STANDARD

NOTE: FOR EASE OF INSTALLATION, IT IS RECOMMENDED THAT YOU USE THE TREX® SIGNATURE™ RAIL TEMPLATES TO ATTACH BRACKETS (SOLD SEPARATELY).

Attach Brackets Using Trex® Signature™ Posts

TIP: Use a clamp to help hold brackets in place while fastening with screws.

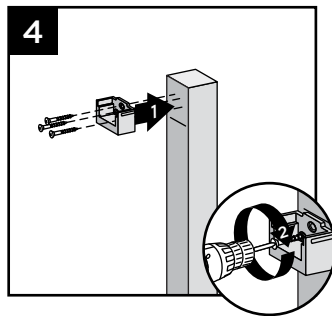
1. Measure 1-3/8" (3.5 cm) from top of post base plate or 1-7/8" (4.8 cm) from decking surface. Mark with light line.



2. Measure up from post base plate 33-7/16" (84.9 cm) for 36" (92 cm) rail height or 39-7/16" (100.2 cm) for 42" (107 cm) rail height. Mark with light line.

NOTE: If measuring from decking surface, measure up 33-15/16" (86.2 cm) for 36" (92 cm) rail height or 39-15/16" (101.4 cm) for 42" (107 cm) rail height.

3. Center lower bracket on post **above** the marked line and attach using two self-tapping screws (provided).
4. Center upper bracket on post **above** marked line and attach using (3) self-tapping screws (provided).

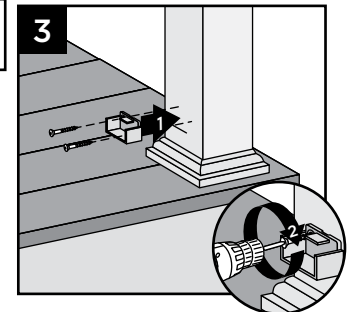
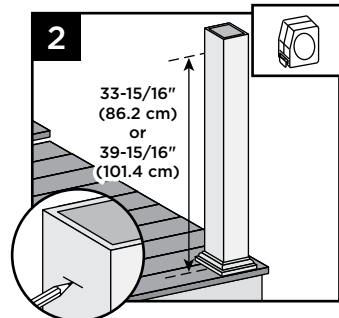
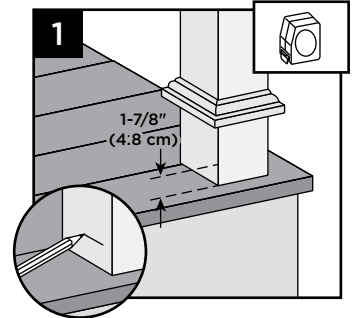


NOTE: Upper bracket is not required on crossover post configuration.

Attach Brackets Using Pressure-Treated Posts and Post Sleeves

TIP: Use a clamp to help hold brackets in place while fastening with screws.

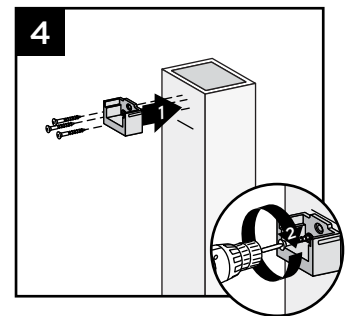
1. Measure 1-7/8" (4.8 cm) up from deck surface to bottom of bracket. Slide skirt up to allow for proper measurement. Mark with light line.



2. Measure up from decking surface 33-15/16" (86.2 cm) for 36" (92 cm) rail height or 39-15/16" (101.4 cm) for 42" (107 cm) rail height. Mark with light line.

NOTE: Push skirt back down onto surface of decking **BEFORE ATTACHING BRACKETS.**

3. Center lower bracket on post **above** the marked line and attach using two 2" (51 mm) wood screws (provided).
4. Center upper bracket on post **above** marked line and attach using three 2" (51 cm) wood screws (provided).

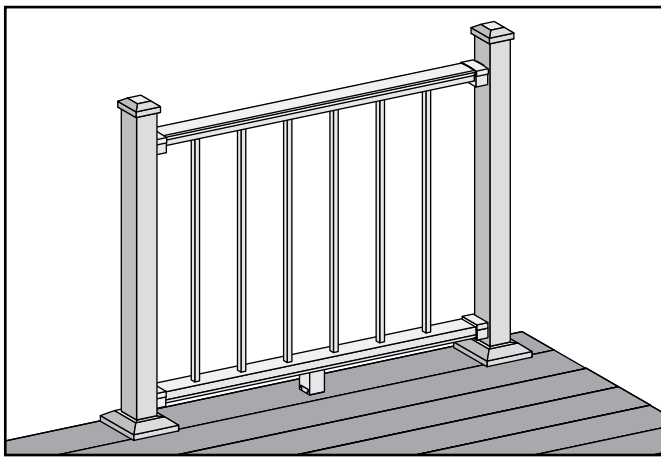


HOW TO INSTALL HORIZONTAL RAILING POST TO POST

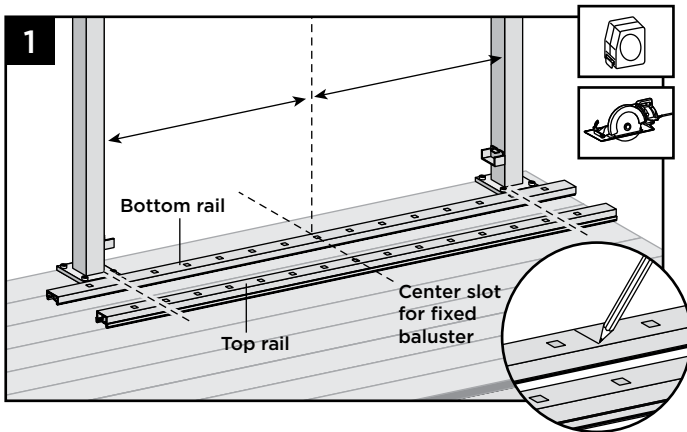
TREX® SIGNATURE™

NOTES:

- » TREX® SIGNATURE™ RAILINGS ARE DESIGNED TO BE ATTACHED WITH POSTS INSTALLED AT A CLEAR SPAN OF 6' (1.83 M) OR 8' (2.44 M).
- » IF INSTALLING AT EXACT SPAN LENGTHS OF 6' (1.83 M) OR 8' (2.44 M), AND USING POST-TO-POST CONFIGURATION, THE BOTTOM RAIL WILL NOT NEED TO BE CUT, BUT THE TOP RAIL WILL NEED TO BE MEASURED (MAKING SURE BALUSTERS LINE UP VERTICALLY) AND CUT.
- » FOR ODD SPAN LENGTHS, BOTH TOP RAIL AND BOTTOM RAIL WILL NEED TO BE MEASURED (MAKING SURE BALUSTERS LINE UP VERTICALLY) AND CUT. ENSURE THAT BALUSTERS ARE SPACED WITH AN EQUAL DISTANCE ON EACH SIDE OF THE POST.
- » WHEN RAILINGS ARE CUT TO ODD SPANS, ALL SPANS GREATER THAN 5' (1.52 M) (EXAMPLE: 8' (2.44 M) SPAN CUT INTO ONE 5' (1.52 M) SPAN AND ONE 3' (0.91 M) SPAN) WOULD REQUIRE FOOT BLOCK UNDER 5' (1.52 M) SPAN SINCE SMALLER FIXED BALUSTER IS NO LONGER CENTERED.



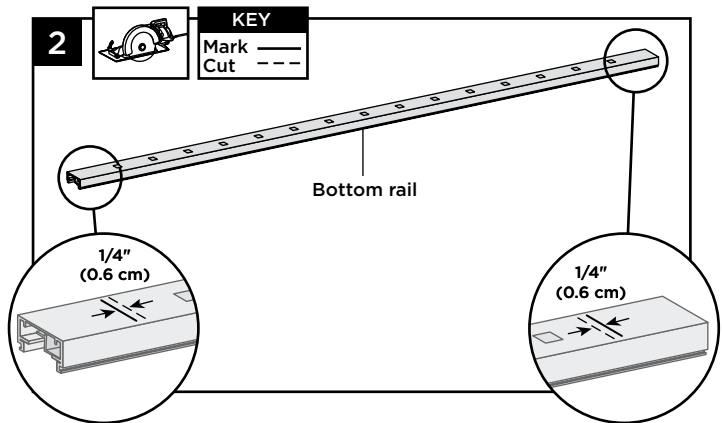
How to Measure and Cut Bottom and Top Railings (When Required)



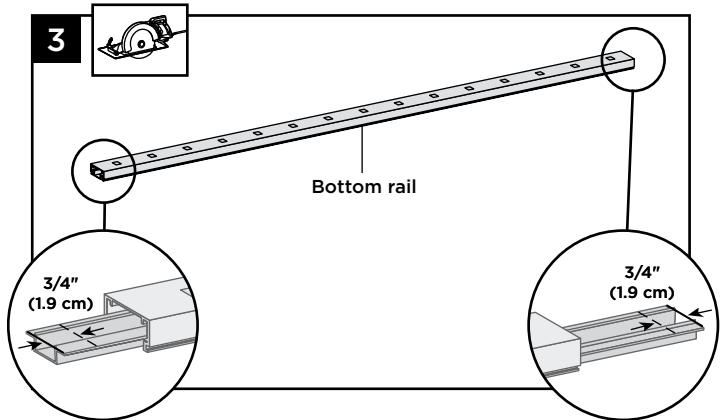
1. Position bottom and top rails between posts and align with bottom bracket. Align the center baluster slot in both rails with the middle of the span between posts.* This will allow an equal number of baluster holes on each side of center slot. Mark bottom rail and top rail at each end (ensure both rails are centered between posts).

* In some cases, due to odd railing spans, the center baluster may need to be offset in one direction to ensure there is enough room at both post locations for balusters to be placed. Review this BEFORE cutting any railings to ensure all balusters are equally spaced.

Cutting Bottom Rail and Bottom Rail Cover

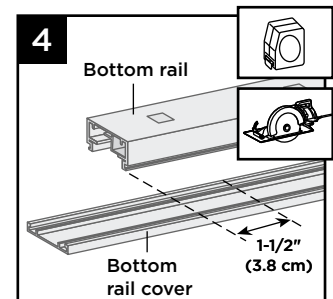


2. Cut each end of bottom rail 1/4" (0.6 cm) shorter than mark on each end to allow for fit into bottom rail brackets.



3. Slide rail insert out and cut 3/4" (19 mm) FROM EACH SIDE of insert, then slide back inside rail and center.

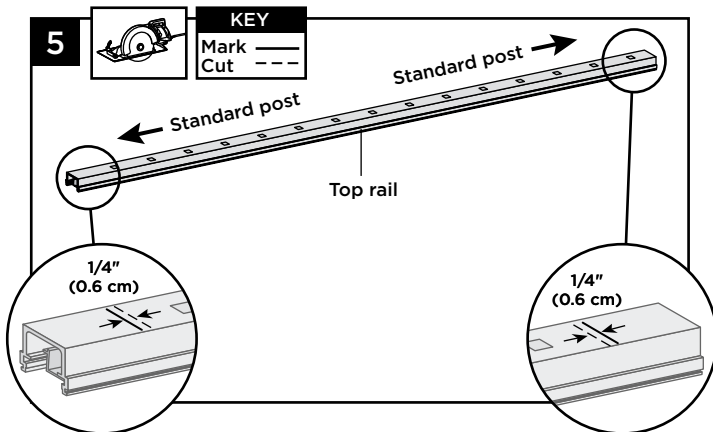
4. Mark and cut bottom rail cover 1-1/2" (38 mm) shorter than bottom rail.



HOW TO INSTALL HORIZONTAL RAILING POST TO POST/CONTINUED

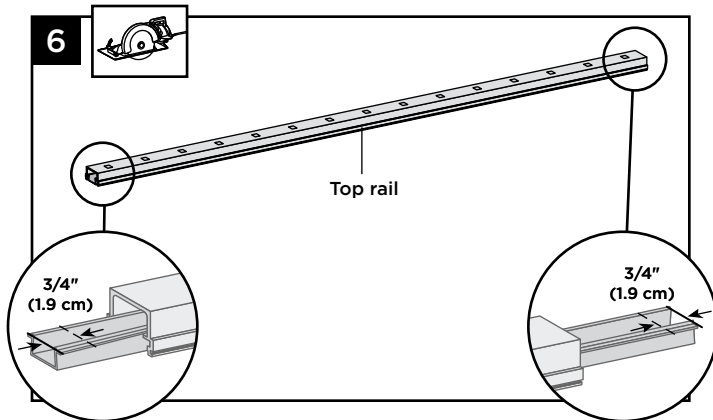
TREX® SIGNATURE™

Cutting Top Rail

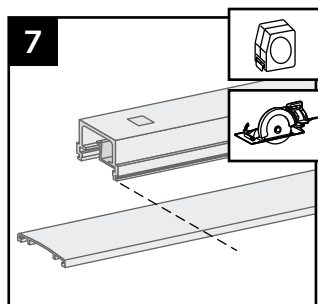


5. Cut each end of top rail 1/4" (0.6 cm) shorter than mark to allow for fit into top rail brackets.

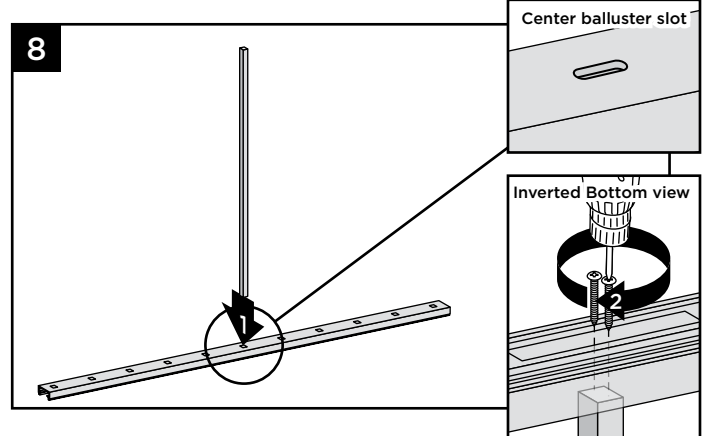
Cutting Top Rail Insert and Cover



6. Slide rail insert out and cut 3/4" (1.9 cm) **FROM EACH SIDE** of insert, then slide back inside rail and center.
7. Mark and cut top rail cover same length as top rail for all top rail configurations.

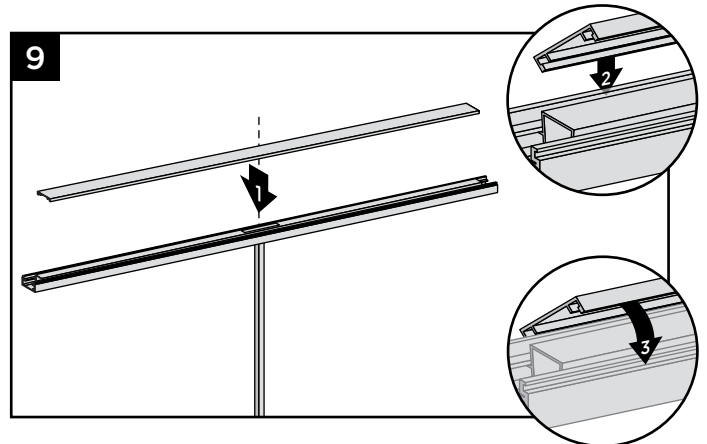


Attaching Center Baluster to Bottom Rail



8. Attach shorter, center baluster in center slot in bottom rail using two #8 x 1-1/4" (3.2 cm) screws (*provided*).

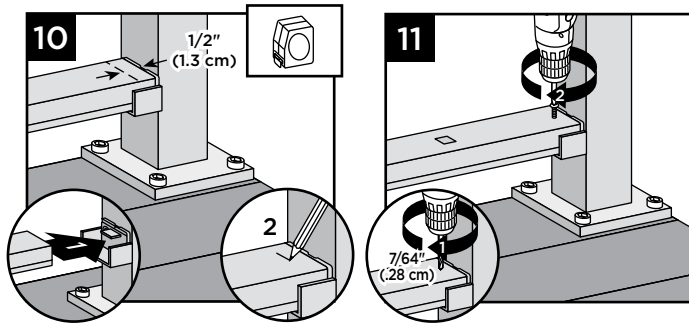
Attaching Bottom Rail Cover and Bottom Rail to Brackets



9. Attach "flat" bottom rail cover to bottom rail by first centering cover on bottom rail (this will allow gap on each end of bottom rail for placement into brackets). Align cover on one side of bottom rail in slot on side of rail. Then starting from one end of rail snap cover onto opposing slot working down the length of rail. In some cases, **GENTLE** tapping with a **rubber mallet** may facilitate fastening.

HOW TO INSTALL HORIZONTAL RAILING POST TO POST/CONTINUED

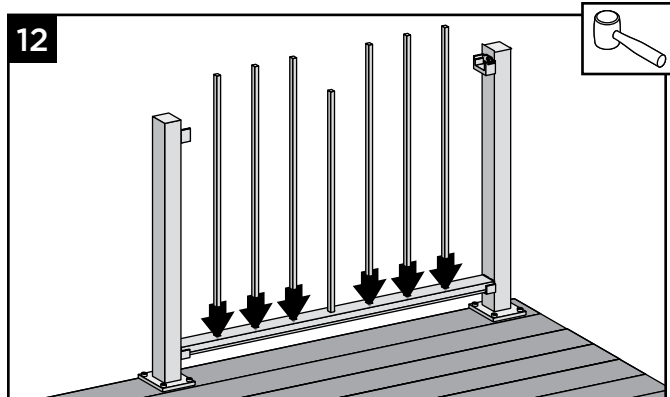
TREX® SIGNATURE™



10. Set bottom rail into bottom brackets. Tabs on brackets will be inside of bottom rail (not shown when railing is attached). To ensure fit into tab, measure and mark 1/2" (1.3 cm) out from side of post.
11. Attach bottom rail to bottom bracket by fastening through marked measurement on top of rail into tab on bottom bracket using one self-tapping screw each side (*provided*).

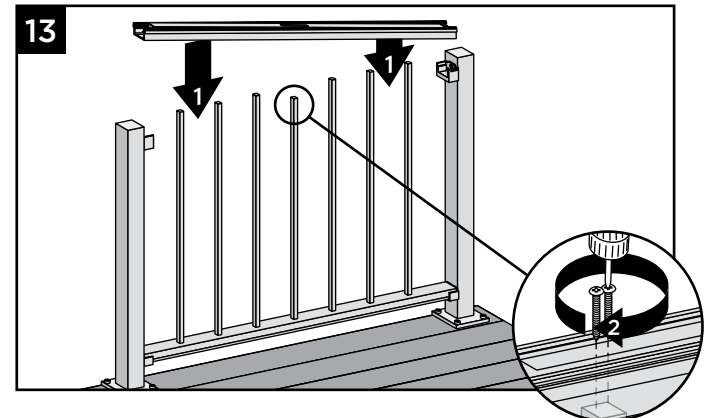
NOTE: Pre-drilling is required (7/64" [0.28 cm] drill bit) for attachment of railing to bracket.

Installing Remaining Balusters into Bottom Rail

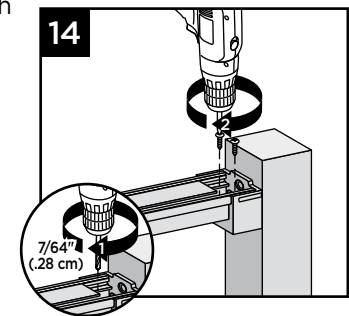


12. Place remaining balusters into holes in lower rail by snapping fully into place. In some cases, **GENTLE** tapping with a **rubber mallet** may facilitate fastening.

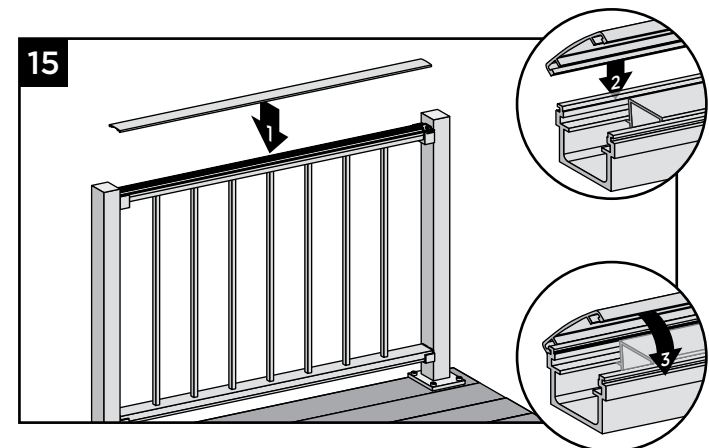
Attach Upper Railings



13. Working from one end of upper rail, snap balusters into upper rail working down length of rail. Fasten center baluster into center slot using two #8 x 1-1/4" (3.2 cm) screws (*provided*).
14. Fasten upper rail to each bracket by installing screws diagonally through upper rail into bracket using two self-tapping screws each side (*provided*).



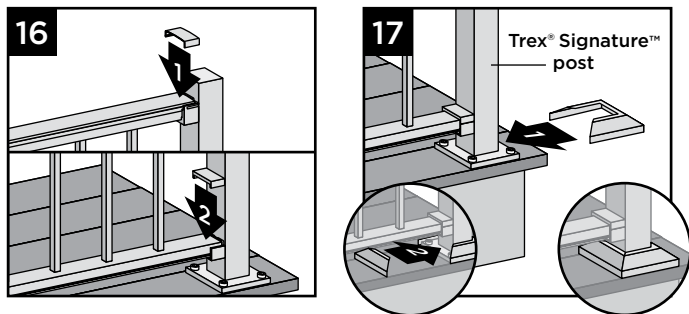
NOTE: Pre-drilling is required (7/64" [0.28 cm] drill bit) for attachment of railing to bracket.



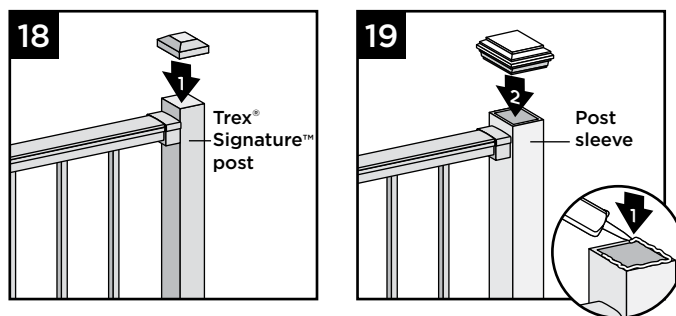
15. Attach "crowned" upper rail cover to upper rail by aligning cover on one side of rail. Then starting from one end of rail, snap cover onto opposing slot working down length of rail. **GENTLE** tapping with a **rubber mallet** may facilitate fastening.

HOW TO INSTALL HORIZONTAL RAILING POST TO POST/CONTINUED TREX® SIGNATURE™

Attachment of Bracket Covers, Skirts, and Caps



16. Attach corresponding bracket covers over opening in upper and bottom rails.
17. Attach provided post skirt to bottom of posts when using Trex® Signature™ posts.



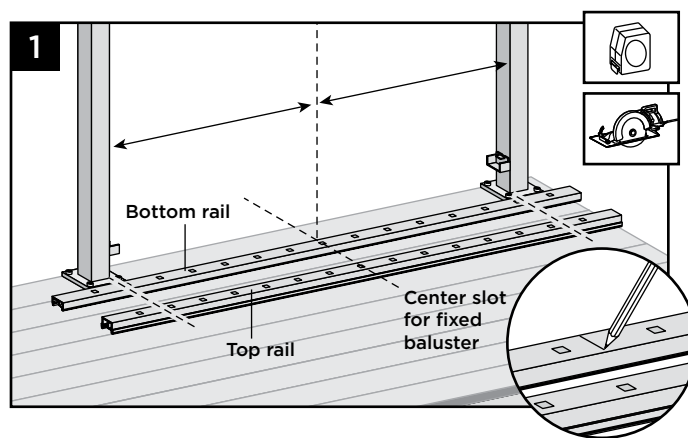
18. Attach post caps to Trex® Signature™ posts. (Use of **rubber mallet** may be required for secure attachment.)
19. Attach post caps to post sleeves using external grade PVC construction adhesive.
20. **Attachment of Foot Block**
See instructions on page 104.

HOW TO INSTALL HORIZONTAL RAILING POST TO CROSSOVER POST TREX® SIGNATURE™

NOTES:

- » TREX® SIGNATURE™ RAILINGS ARE DESIGNED TO BE ATTACHED WITH POSTS INSTALLED AT A CLEAR SPAN OF 6' (1.83 M) OR 8' (2.44 M).
- » IF INSTALLING AT EXACT SPAN LENGTHS OF 6' (1.83 M) OR 8' (2.44 M), AND USING POST-TO-CROSSOVER POST CONFIGURATION, THE BOTTOM RAIL WILL NOT NEED TO BE CUT, BUT THE TOP RAIL WILL NEED TO BE MEASURED (MAKING SURE BALUSTERS LINE UP VERTICALLY) AND CUT.
- » AT ALL FINAL END POST CONFIGURATIONS, TOP RAIL WILL NEED TO BE MEASURED (MAKING SURE BALUSTERS LINE UP VERTICALLY) AND CUT.
- » FOR ODD SPAN LENGTHS, BOTH TOP RAIL AND BOTTOM RAIL WILL NEED TO BE MEASURED (MAKING SURE BALUSTERS LINE UP VERTICALLY) AND CUT. ENSURE THAT BALUSTERS ARE SPACED WITH AN EQUAL DISTANCE ON EACH SIDE OF THE POST.
- » WHEN RAILINGS ARE CUT TO ODD SPANS, ALL SPANS GREATER THAN 5' (1.52 M) (EXAMPLE: 8' (2.44 M) SPAN CUT INTO ONE 5' (1.52 M) SPAN AND ONE 3' (0.91 M) SPAN) WOULD REQUIRE FOOT BLOCK UNDER 5' (1.52 M) SPAN SINCE SMALLER FIXED BALUSTER IS NO LONGER CENTERED.

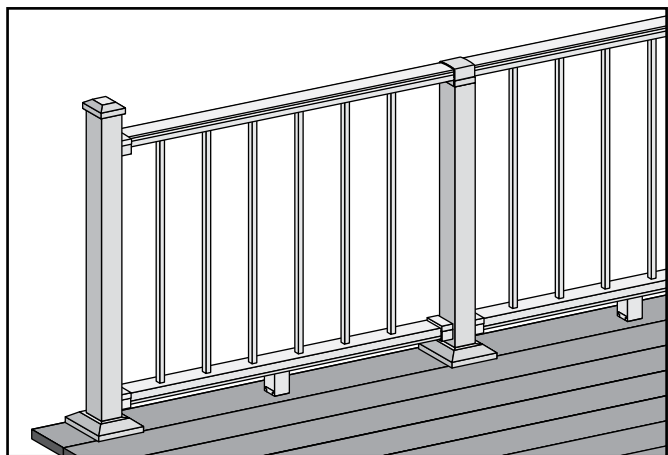
How to Measure, Mark and Cut Bottom and Top Railings (When Required)



Important: DO NOT cut top rail the same length as bottom rail.

1. Position bottom and top rails between posts and align with bottom bracket. Align the center baluster slot in both rails with the middle of the span between posts.* This will allow an equal number of baluster holes on each side of center slot. Mark bottom rail and top rail at each end (ensure both rails are centered between posts).

* In some cases, due to odd railing spans, the center baluster may need to be offset in one direction to ensure there is enough room at both post locations for balusters to be placed. Review this BEFORE cutting any railings to ensure all balusters are equally spaced.

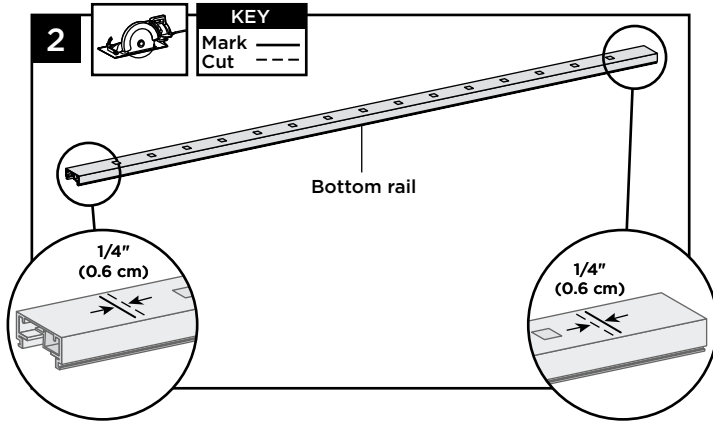


HOW TO INSTALL HORIZONTAL RAILING POST TO CROSSOVER POST

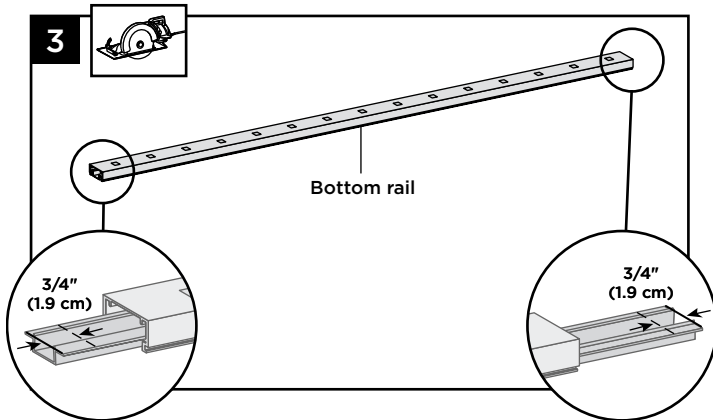
POST/CONTINUED

TREX® SIGNATURE™

Cutting Bottom Rail and Bottom Rail Cover ONLY

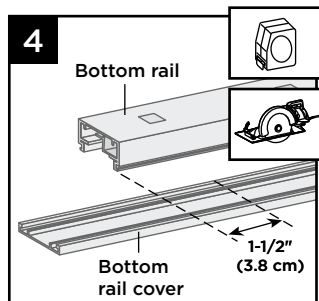


2. Cut each end of bottom rail 1/4" (0.6 cm) shorter than mark on each end to allow for fit into bottom rail brackets.

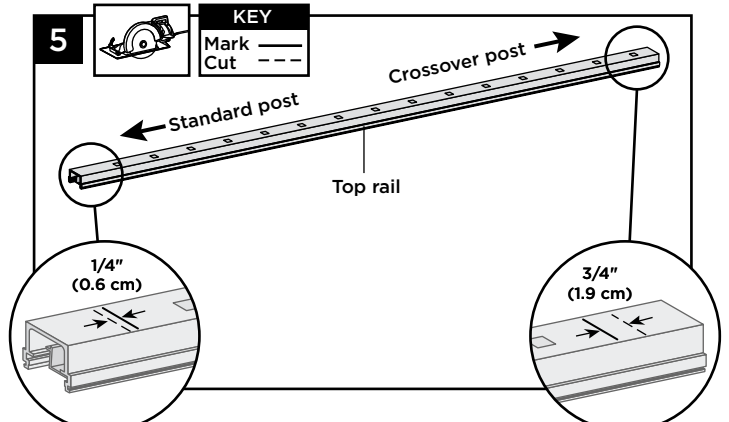


3. Slide rail insert out and cut 3/4" (1.9 cm) FROM EACH SIDE of insert, then slide back inside rail and center.

4. Mark and cut bottom rail cover 1-1/2" (3.8 cm) shorter than bottom rail.

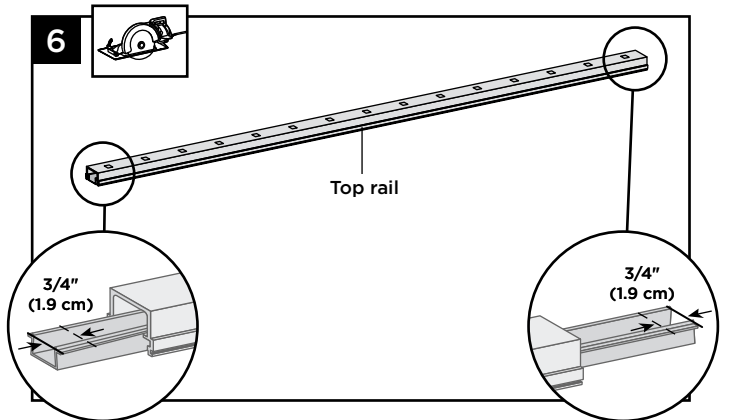


Cutting Top Rail



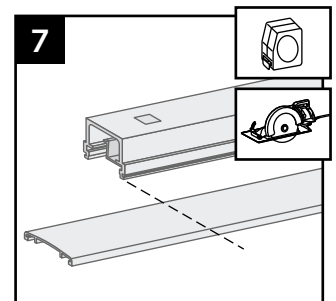
5. Top rail must be cut differently on each side of the rail. Railing side that attaches to standard post should be cut 1/4" (0.6 cm) shorter than the mark to allow for fit into top rail bracket. Railing side that attaches to the crossover post should be cut 3/4" (1.9 cm) LONGER than the mark to allow for fit into the crossover post bracket.

Cutting Top Rail Insert and Cover



6. Slide rail insert out and cut 3/4" (1.9 cm) FROM EACH SIDE of insert, then slide back inside rail and center.

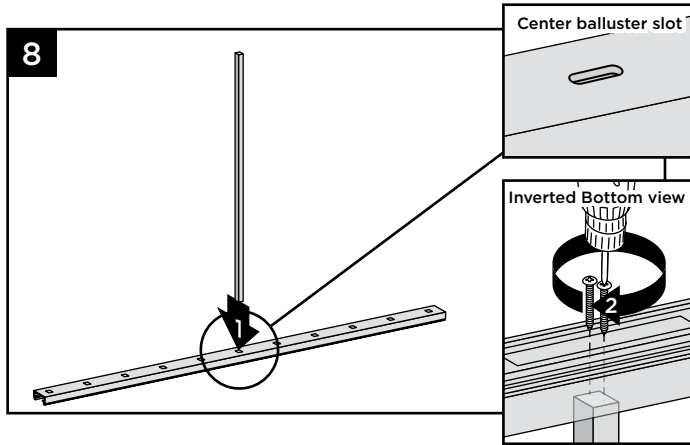
7. Mark and cut top rail cover same length as top rail for all top rail configurations.



HOW TO INSTALL HORIZONTAL RAILING POST TO CROSSOVER POST/CONTINUED

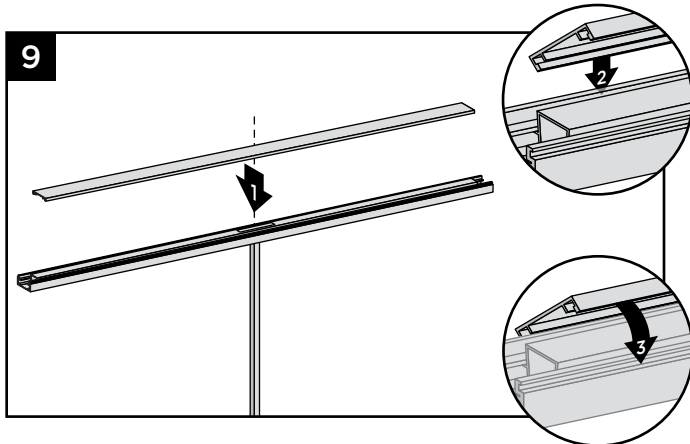
TREX® SIGNATURE™

Attaching Center Baluster to Bottom Rail

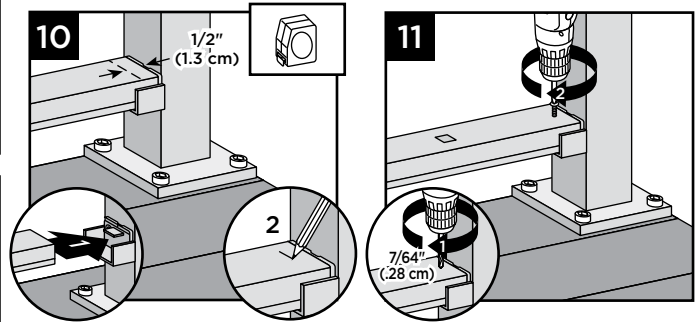


8. Attach shorter, center baluster in center slot in bottom rail using two #8 x 1-1/4" (3.2 cm) screws (provided).

Attaching Bottom Rail Cover and Bottom Rail to Brackets



9. Attach "flat" bottom rail cover to bottom rail by first centering cover on bottom rail (this will allow gap on each end of bottom rail for placement into brackets). Align cover on one side of bottom rail in slot on side of rail. Then starting from one end of rail snap cover onto opposing slot working down the length of rail. In some cases, **GENTLE** tapping with a **rubber mallet** may facilitate fastening.

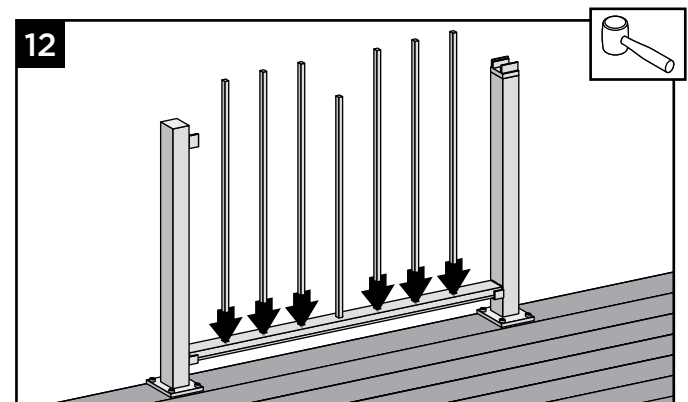


10. Set bottom rail into bottom brackets. Tabs on brackets will be inside of bottom rail (not shown when railing is attached). To ensure fit into tab, measure and mark 1/2" (1.3 cm) out from side of post.

11. Attach bottom rail to bottom bracket by fastening through marked measurement on top of rail into tab on bottom bracket using one self-tapping screw each side (provided).

NOTE: Pre-drilling is required (7/64" [0.28 cm] drill bit) for attachment of railing to bracket.

Installing Remaining Balusters into Bottom Rail

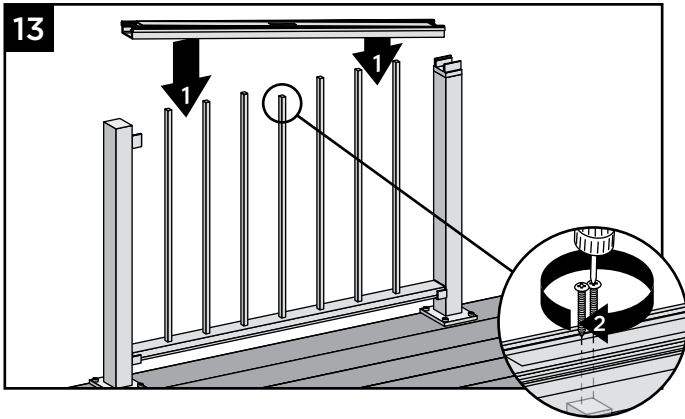


12. Place remaining balusters into holes in lower rail by snapping fully into place. In some cases, **GENTLE** tapping with a **rubber mallet** may facilitate fastening.

HOW TO INSTALL HORIZONTAL RAILING POST TO CROSSOVER POST/CONTINUED

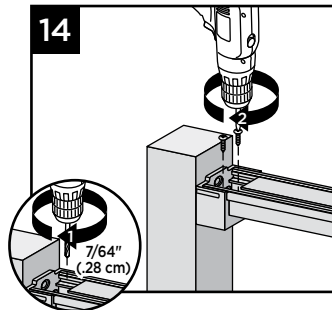
TREX® SIGNATURE™

Attach Upper Railings



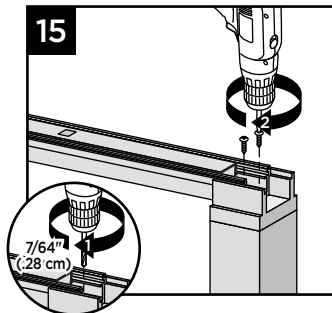
13. Working from one end of upper rail, snap balusters into upper rail working down length of rail. Fasten center baluster into center slot using two #8 x 1-1/4" (3.2 cm) screws (provided).

14. At post location, fasten upper rail to each bracket by installing screws diagonally through upper rail into bracket using two self-tapping screws each side (provided).

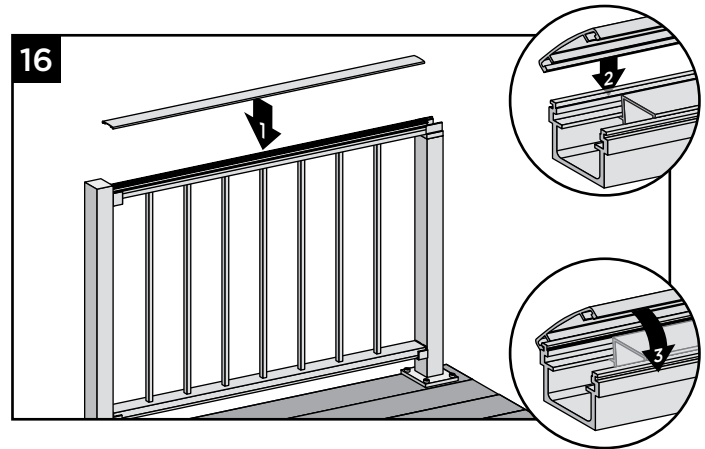


NOTE: Pre-drilling is required (7/64" [0.28 cm] drill bit) for attachment of railing to bracket.

15. At crossover post location, fasten upper rail to crossover post by installing screws diagonally through upper rail into post using two self-tapping screws each side (provided).

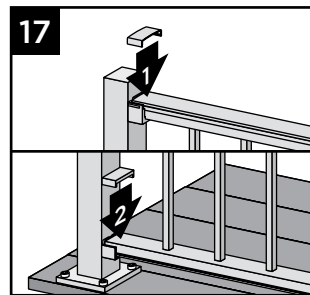


NOTE: Pre-drilling is required (7/64" [0.28 cm] drill bit) for attachment of railing to bracket.

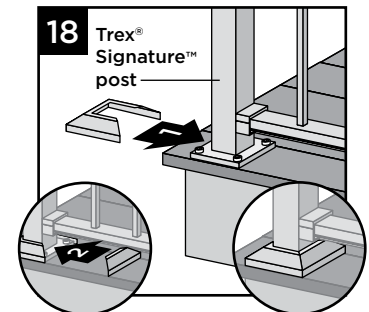


16. Attach "crowned" upper rail cover to upper rail by aligning cover on one side of rail. Then starting from one end of rail, snap cover onto opposing slot working down length of rail. In some cases, **GENTLE** tapping with a **rubber mallet** may facilitate fastening.

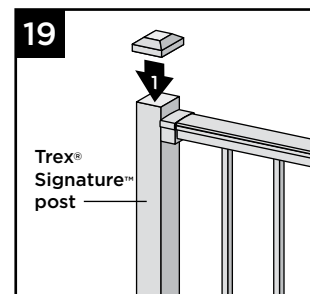
Attachment of Bracket Covers, Skirts, and Caps



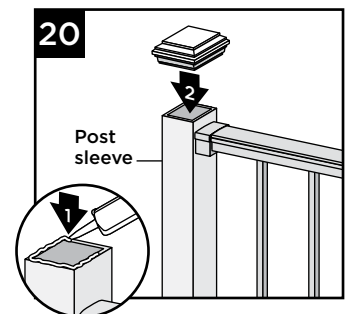
17. Attach corresponding bracket covers over opening in upper and bottom rails.



18. Attach provided post skirt to bottom of posts when using Trex® Signature™ posts.



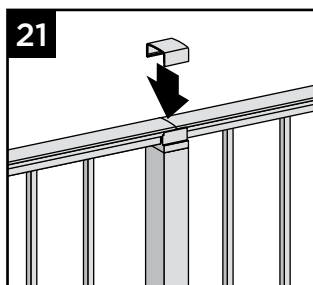
19. Attach post caps to Trex® Signature™ posts. (Use of **rubber mallet** may be required for secure attachment.)



20. Attach post caps to post sleeves using external grade PVC construction adhesive.

HOW TO INSTALL HORIZONTAL RAILING POST TO CROSSOVER POST/CONTINUED TREX® SIGNATURE™

21. For crossover post configuration, attach crossover post cap to crossover post.

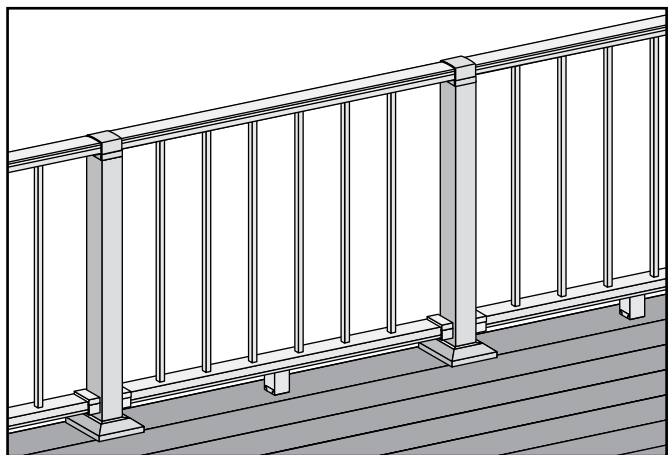


22. Attachment of Foot Block
See instructions on page 104.

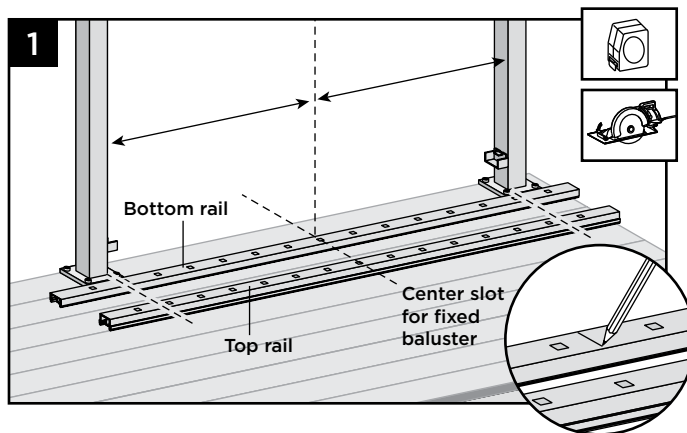
HOW TO INSTALL HORIZONTAL RAILING CROSSOVER POST TO CROSSOVER POST TREX® SIGNATURE™ STANDARD

NOTES:

- » TREX® SIGNATURE™ RAILINGS ARE DESIGNED TO BE ATTACHED WITH POSTS INSTALLED AT A CLEAR SPAN OF 6' (1.83 M) OR 8' (2.44 M).
- » IF INSTALLING AT EXACT SPAN LENGTHS OF 6' (1.83 M) OR 8' (2.44 M), AND USING POST-TO-CROSSOVER POST CONFIGURATION, THE BOTTOM RAIL WILL NOT NEED TO BE CUT, BUT THE TOP RAIL WILL NEED TO BE MEASURED (MAKING SURE BALUSTERS LINE UP VERTICALLY) AND CUT.
- » FOR ODD SPAN LENGTHS, BOTH TOP RAIL AND BOTTOM RAIL WILL NEED TO BE MEASURED (MAKING SURE BALUSTERS LINE UP VERTICALLY) AND CUT. ENSURE THAT BALUSTERS ARE SPACED WITH AN EQUAL DISTANCE ON EACH SIDE OF THE POST.
- » WHEN RAILINGS ARE CUT TO ODD SPANS, ALL SPANS GREATER THAN 5' (1.52 M) (EXAMPLE: 8' (2.44 M) SPAN CUT INTO ONE 5' (1.52 M) SPAN AND ONE 3' (0.91 M) SPAN) WOULD REQUIRE FOOT BLOCK UNDER 5' (1.52 M) SPAN SINCE SMALLER FIXED BALUSTER IS NO LONGER CENTERED.



How to Measure, Mark and Cut Bottom and Top Railings (When Required)



Important: DO NOT cut top rail the same length as bottom rail.

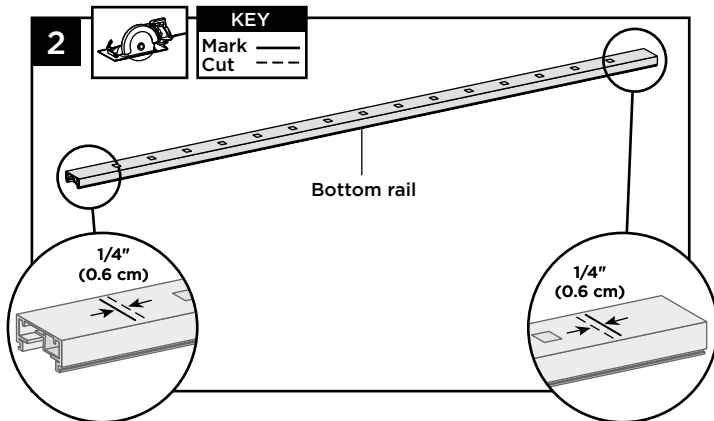
1. Position bottom and top rails between posts and align with bottom bracket. Align the center baluster slot in both rails with the middle of the span between posts.* This will allow an equal number of baluster holes on each side of center slot. Mark bottom rail and top rail at each end (ensure both rails are centered between posts).

* In some cases, due to odd railing spans, the center baluster may need to be offset in one direction to ensure there is enough room at both post locations for balusters to be placed. Review this **BEFORE** cutting any railings to ensure all balusters are equally spaced.

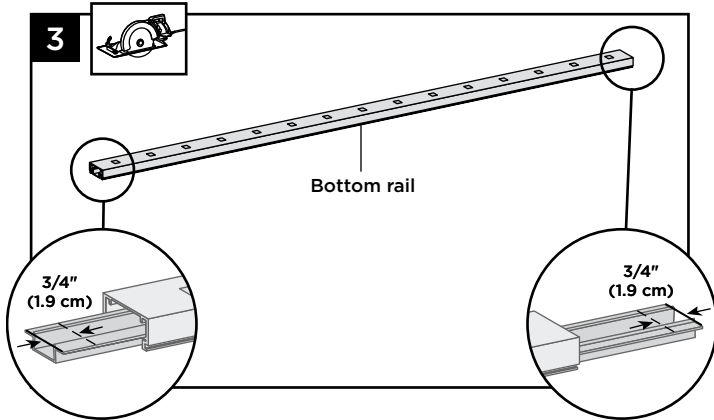
HOW TO INSTALL HORIZONTAL RAILING CROSSOVER POST TO CROSSOVER POST/CONTINUED

TREX® SIGNATURE™

Cutting Bottom Rail and Bottom Rail Cover ONLY

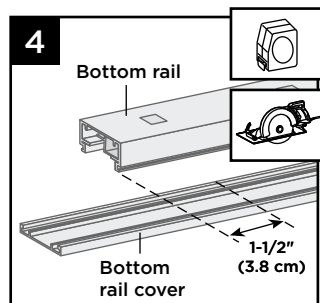


2. Cut each end of bottom rail 1/4" (0.6 cm) shorter than mark on each end to allow for fit into bottom rail brackets.

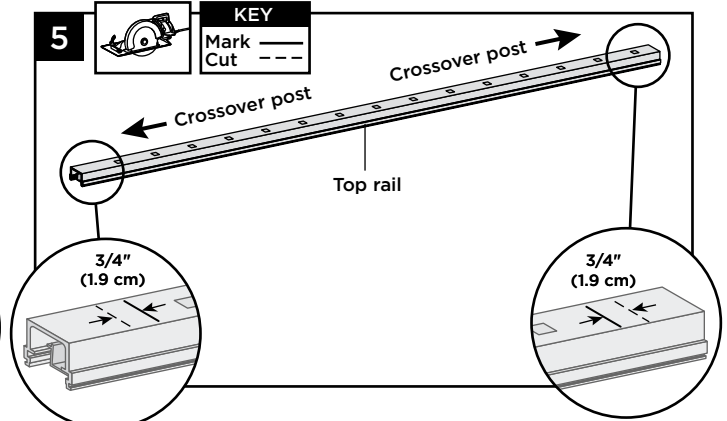


3. Slide rail insert out and cut 3/4" (1.9 cm) **FROM EACH SIDE** of insert, then slide back inside rail and center.

4. Mark and cut bottom rail cover 1-1/2" (3.8 cm) shorter than bottom rail.

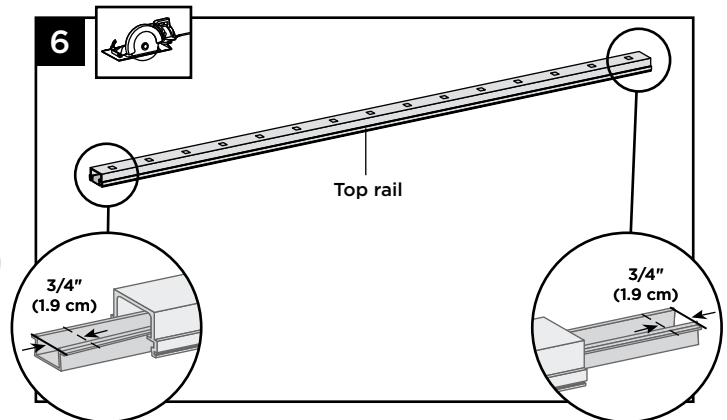


Cutting Top Rail



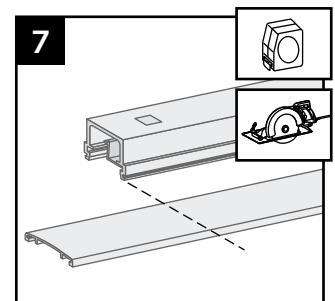
5. Cut each end of top rail 3/4" (1.9 cm) **LONGER** than the mark to allow for fit into the crossover post bracket on each side.

Cutting Top Rail Insert and Cover



6. Slide rail insert out and cut 3/4" (1.9 cm) **FROM EACH SIDE** of insert, then slide back inside rail and center.

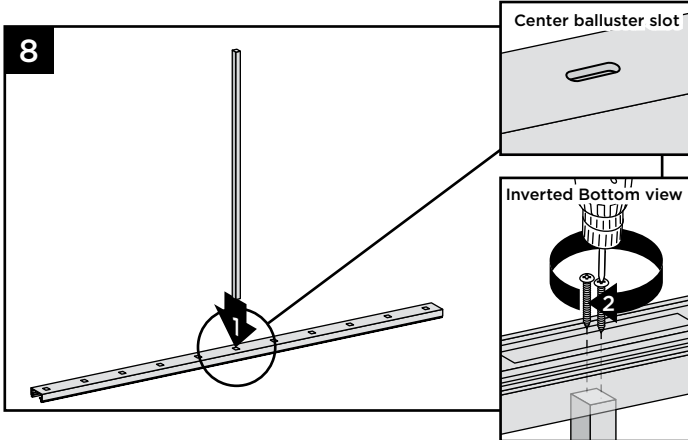
7. Mark and cut top rail cover same length as top rail for all top rail configurations.



HOW TO INSTALL HORIZONTAL RAILING CROSSOVER POST TO CROSSOVER POST/CONTINUED

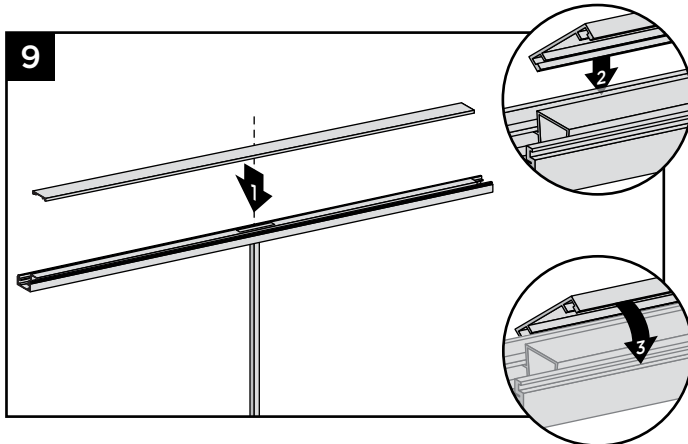
TREX® SIGNATURE™

Attaching Center Baluster to Bottom Rail

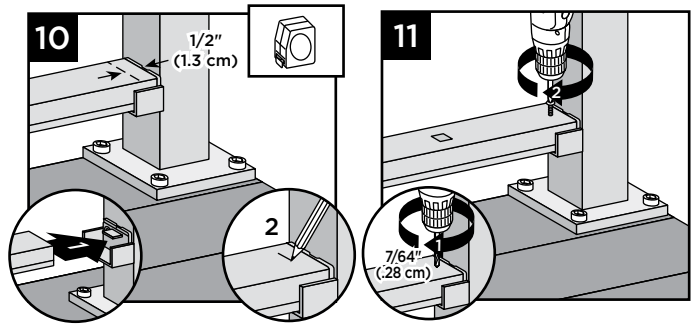


8. Attach shorter, center baluster in center slot in bottom rail using two #8 x 1-1/4" (3.2 cm) screws (provided).

Attaching Bottom Rail Cover and Bottom Rail to Brackets



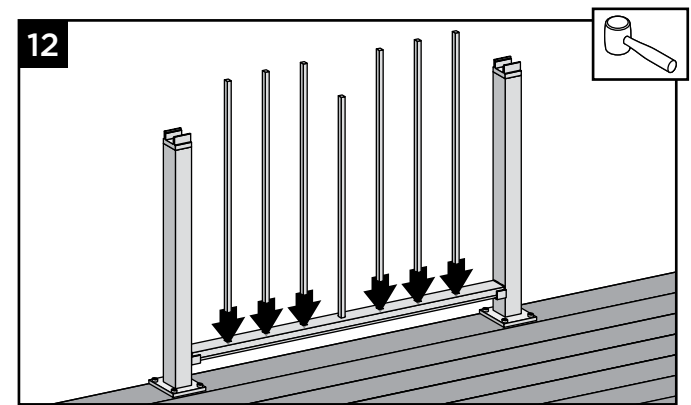
9. Attach "flat" bottom rail cover to bottom rail by first centering cover on bottom rail (this will allow gap on each end of bottom rail for placement into brackets). Align cover on one side of bottom rail in slot on side of rail. Then starting from one end of rail snap cover onto opposing slot working down the length of rail. In some cases, **GENTLE** tapping with a **rubber mallet** may facilitate fastening.



10. Set bottom rail into bottom brackets. Tabs on brackets will be inside of bottom rail (not shown when railing is attached). To ensure fit into tab, measure and mark 1/2" (1.3 cm) out from side of post.
11. Attach bottom rail to bottom bracket by fastening through marked measurement on top of rail into tab on bottom bracket using one self-tapping screw each side (provided).

NOTE: Pre-drilling is required (7/64" [0.28 cm] drill bit) for attachment of railing to bracket.

Installing Remaining Balusters into Bottom Rail

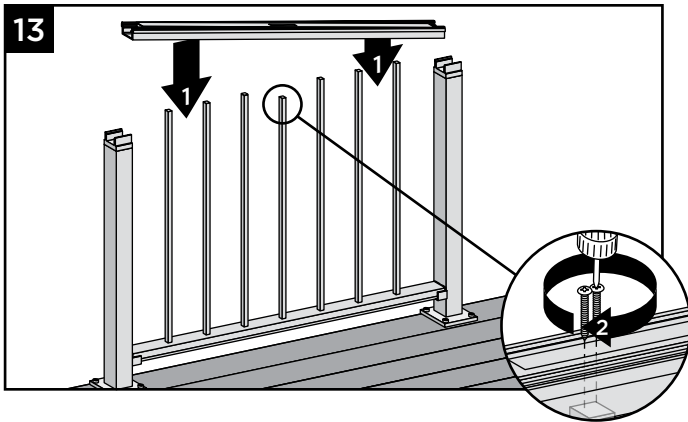


12. Place remaining balusters into holes in lower rail by snapping fully into place. In some cases, **GENTLE** tapping with a **rubber mallet** may facilitate fastening.

HOW TO INSTALL HORIZONTAL RAILING CROSSOVER POST TO CROSSOVER POST/CONTINUED

TREX® SIGNATURE™

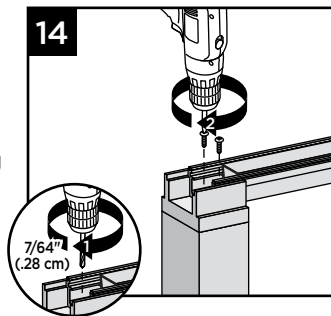
Attach Upper Railings



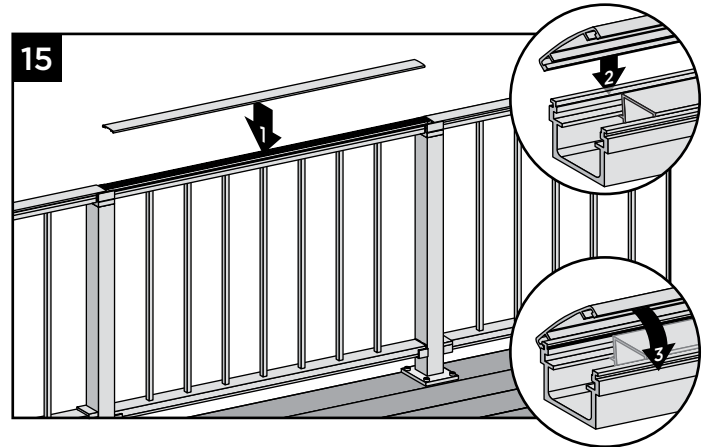
13. Working from one end of upper rail, snap balusters into upper rail working down length of rail. Fasten center baluster into center slot using two #8 x 1-1/4" (3.2 cm) screws (provided).

NOTE: Pre-drilling is required (7/64" [0.28 cm] drill bit) for attachment of railing to bracket.

14. At post locations, fasten upper rail to crossover post by installing screws diagonally through upper rail into post using two self-tapping screws each side (provided).

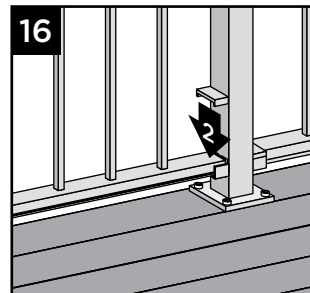


NOTE: Pre-drilling is required (7/64" [0.28 cm] drill bit) for attachment of railing to bracket.

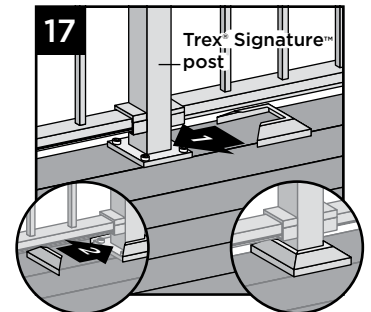


15. Attach "crowned" upper rail cover to upper rail by aligning cover on one side of rail. Then starting from one end of rail, snap cover onto opposing slot working down length of rail. **GENTLE** tapping with a **rubber mallet** may facilitate fastening.

Attachment of Bracket Covers, Skirts, and Caps



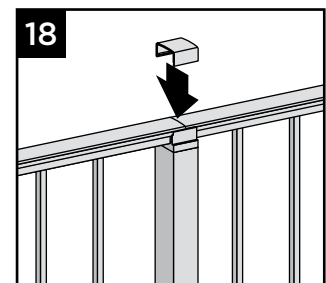
16. Attach corresponding bracket covers over opening in bottom rails.



17. Attach provided post skirt to bottom of posts when using Trex® Signature™ posts.

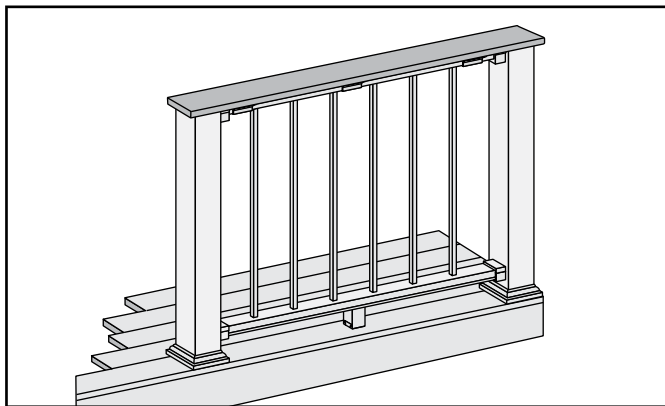
18. Attach crossover post cap to crossover post.

19. **Attachment of Foot Block.**
See instructions on page 104.



HOW TO INSTALL TREX® SIGNATURE™ COCKTAIL RAILING

TREX® SIGNATURE™

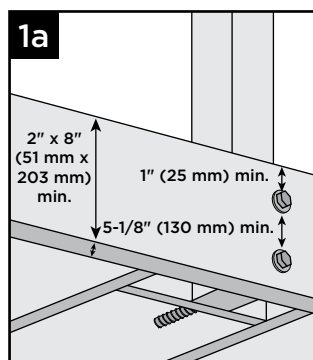


IMPORTANT NOTE:

» **ONLY** for use with pressure-treated 4 x 4 post (3.5" nominal square) and 4" x 4" (102 mm x 102 mm) post sleeve. Trex® Signature™ posts, Trex post mounts or joist mount posts cannot be used with Trex® Signature™ Cocktail railing. Cutting post and post sleeve only apply to the Cocktail style railing.

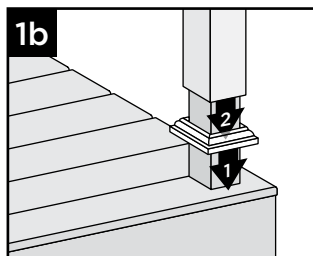
Installing Pressure-treated Posts, Post Sleeves, and Skirts to Use with Trex® Signature™ Railing

- 1a. Attach posts using 1/2" (13 mm) carriage bolts.
- » Minimum joist size is 2" x 8" (51 mm x 203 mm).
 - » Top bolts must be 1" (25 mm) from top of joists.
 - » Bottom bolts must be 5-1/8" (130 mm) from top bolts.



NOTE: Blocking can be added for extra strength.

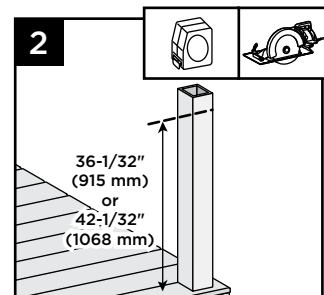
- 1b. Slide post sleeve skirt over post and down to rest on decking surface. Slide post sleeve over post and position inside post sleeve skirt.



NOTE: Shims can be used to plumb post sleeves.

Cutting Post and Post Sleeve

2. Mark and cut post and post sleeve measuring from deck surface:
- » 36-1/32" (915 mm) for 36" (914 mm) height.
 - » 42-1/32" (1068 mm) for 42" (1067 mm) height.



3. Installing Horizontal Fixed Brackets

See instructions on page 86.

4. Installing Horizontal Swivel Brackets

See instructions on page 101.

5. Cutting Railings for Horizontal Fixed Brackets

See instructions on page 87 - Post-to-Post, page 90 - Post-to-Crossover Post, or page 94 - Crossover Post-to-Crossover Post.

6. Cutting Railings for Horizontal Swivel Brackets

See instructions on page 102.

7. Attaching Center Baluster to Bottom Rail

See instructions on page 88 - Post-to-Post, page 92 - Post-to-Crossover Post, or page 98 - Crossover Post-to-Crossover Post.

8. Attaching Bottom Rail Cover and Bottom Rail to Brackets

See instructions on page 88 - Post-to-Post, page 92 - Post-to-Crossover Post, or page 96 - Crossover Post-to-Crossover Post.

9. Installing Remaining Balusters into Bottom Rail

See instructions on page 89 - Post-to-Post, page 92 - Post-to-Crossover Post, or page 96 - Crossover Post-to-Crossover Post.

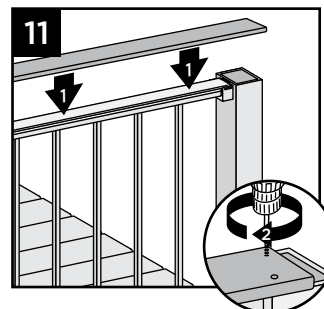
10. Attaching Top Rail and Top Rail Cover

See instructions on page 89 - Post-to-Post, page 93 - Post-to-Crossover Post, or page 97 - Crossover Post-to-Crossover Post.

NOTE: Top Bracket Covers are not attached in this configuration.

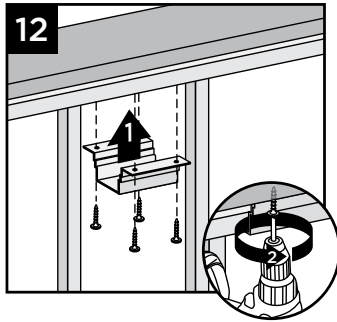
11. Attaching Deck Board to Top Rail

Place deck boards (**DO NOT** use Enhance scalloped profile or Escapes deck boards for top rail) over top rails. Attach boards on each post with Trex-recommended composite screws (quantity of 2 per each board end).



HOW TO INSTALL TREX® SIGNATURE™ COCKTAIL RAILING/CONTINUED

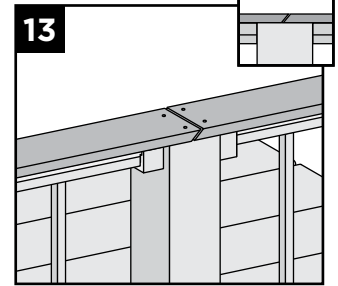
12. Secure boards to top rail using Trex® Signature™ Cocktail Bracket (sold separately). Ensure that there is a bracket at each end of the railing section, then space brackets approximately every 24" and attach with 4 screws provided.



13. Use scarf cut for posts where two deck boards meet.

NOTES:

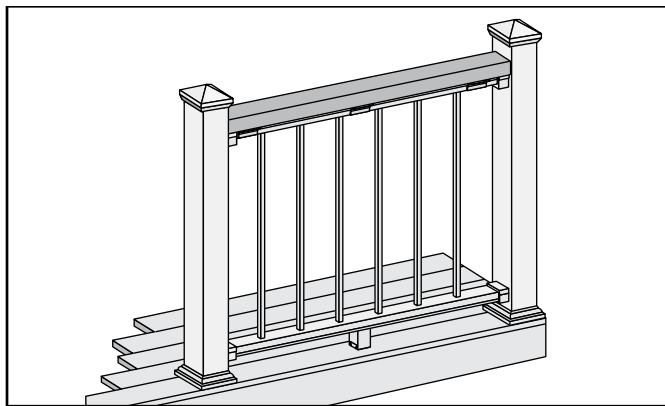
- » Leave 1/8" (3 mm) gap between deck boards.
- » Deck boards can overhang end of last post maximum 1/2" (13 mm).



NOTE: Pre-drilling before attachment is recommended.

14. **Attachment of Bottom Bracket Covers and Skirts**
See instructions on page 90.
15. **Attachment of Foot Block**
See instructions on page 104.

HOW TO INSTALL TREX® SIGNATURE™ TRADITIONAL RAILING



Important: Only use for use with pressure-treated 4 x 4 post (3.5" nominal square), Trex Post Mounts or Joist Mount Posts and 4" x 4" (102 mm x 102 mm) or 6" x 6" post sleeve. Trex® Signature™ Posts and Signature Joist Mount Posts cannot be used with Trex® Signature™ Traditional railing.

1. **Installing Posts, Post Sleeve Skirts and Post Sleeves**

See instructions on page 82.

2. **Installing Horizontal Fixed Brackets**

See instructions on page 86.

3. **Installing Horizontal Swivel Brackets**

See instructions on page 101.

4. **Cutting Railings for Horizontal Fixed Brackets**

See instructions on page 87 - Post-to-Post, page 91 - Post-to-Crossover Post, or page 95 - Crossover Post-to-Crossover Post.

5. **Cutting Railings for Horizontal Swivel Brackets**
See instructions on page 102.

6. **Attaching Center Baluster to Bottom Rail**

See instructions on page 88 - Post-to-Post, page 92 - Post-to-Crossover Post, or page 96 - Crossover Post-to-Crossover Post..

7. **Attaching Bottom Rail Cover and Bottom Rail to Brackets**

See instructions on page 88 - Post-to-Post, page 92 - Post-to-Crossover Post, or page 96 - Crossover Post-to-Crossover Post.

8. **Installing Remaining Balusters into Bottom Rail**

See instructions on page 89 - Post-to-Post, page 92 - Post-to-Crossover Post, or page 96 - Crossover Post-to-Crossover Post.

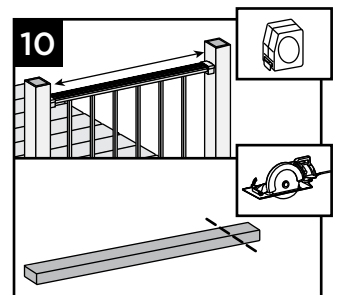
9. **Attaching Top Rail and Top Rail Cover**

See instructions on page 89 - Post-to-Post, page 93 - Post-to-Crossover Post, or page 97 - Crossover Post-to-Crossover Post.

NOTE: Top Bracket Covers are not attached in this configuration.

10. **Attaching 2" x 4" (51 mm x 102 mm) to Top Rail**

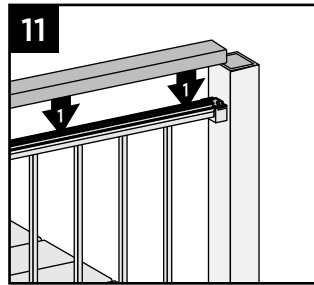
Measure between posts and cut 2" x 4" (51 mm x 102 mm) to length.



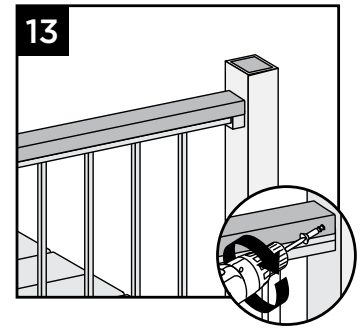
HOW TO INSTALL TREX® SIGNATURE™ TRADITIONAL RAILING/CONTINUED

TREX® SIGNATURE™

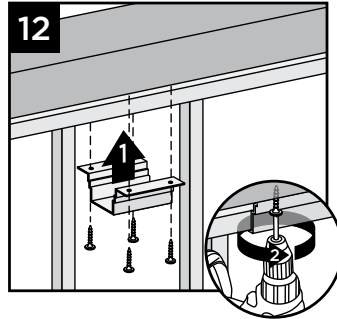
11. Place 2" x 4" (51 mm x 102 mm) on Trex® Signature™ top rail.



13. Pre-drill and toenail 2-1/2" (6.4 cm) approved deck screw at each end of 2" x 4" (5.1 cm x 10.2 cm) into post on back side of rail (side not facing decking).



12. Secure 2" x 4" (51 mm x 102 mm) to top rail using Trex® Signature™ Cocktail Bracket (sold separately). Ensure that there is a bracket at each end of the railing section, then space brackets approximately every 24" and attach with 4 screws provided.



14. **Attachment of Bottom Rail Bracket Covers and Caps**

See instructions on page 90.

15. **Attachment of Foot Block**

See instructions on page 104.

NOTE: Pre-drilling before attachment is recommended.



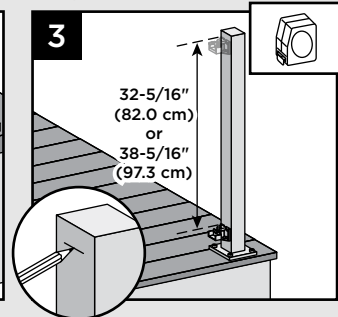
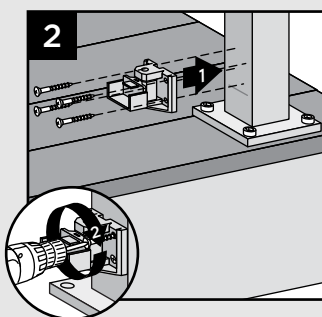
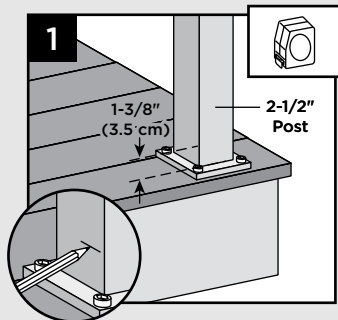
INSTALLATION OF HORIZONTAL SWIVEL BRACKETS

TREX® SIGNATURE™ STANDARD

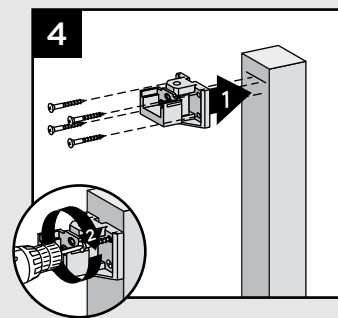
Attach Swivel Brackets Base Using Trex® Signature™ Posts

TIP: Use a clamp to help hold brackets in place while fastening with screws.

1. Measure 1-3/8" (3.5 cm) from top of post base plate or 1-7/8" (4.8 cm) from decking surface. Mark with light line.



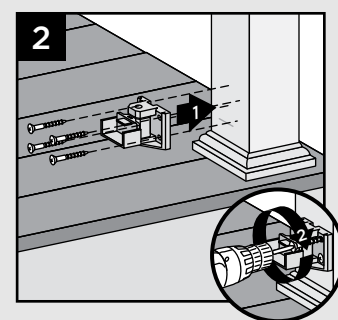
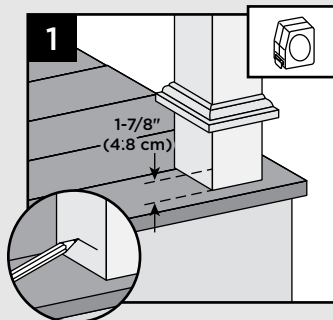
2. Center lower bracket on post **above** the marked line and attach using four self-tapping screws (*provided*).
3. Measure up 32-5/16" (82.0 cm) for 36" (91.4 cm) tall railing or 38-5/16" (97.3 cm) for 42" (106.7 cm) tall railing from top of lower rail bracket. Mark with a light line.
4. Center upper bracket on post **below** marked line and attach using four self-tapping screws (*provided*).



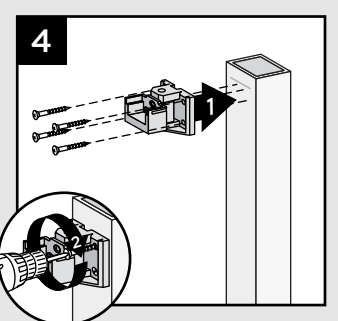
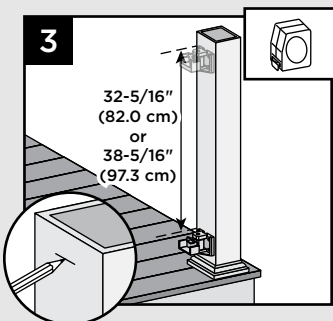
NOTE: Upper bracket is not required on crossover post configuration.

Attach Swivel Brackets Using Pressure-treated Posts and Post Sleeves

TIP: Use a clamp to help hold brackets in place while fastening with screws



1. Measure 1-7/8" (4.8 cm) up from deck surface to bottom of bracket. Slide skirt up to allow for proper measurement, then push skirt back down onto surface of decking **BEFORE ATTACHING BRACKET**. Mark with light line.
2. Center lower bracket on post **above** the marked line and attach using four 2" (5.1 cm) wood screws (*provided*).



3. Measure up 32-5/16" (82.0 cm) for 36" (91.4 cm) tall railing or 38-5/16" (97.3 cm) for 42" (106.7 cm) tall railing from top of lower rail bracket. Mark with a light line.
4. Center upper bracket on post **below** marked line and attach using four 2" (5.1 cm) wood screws (*provided*).

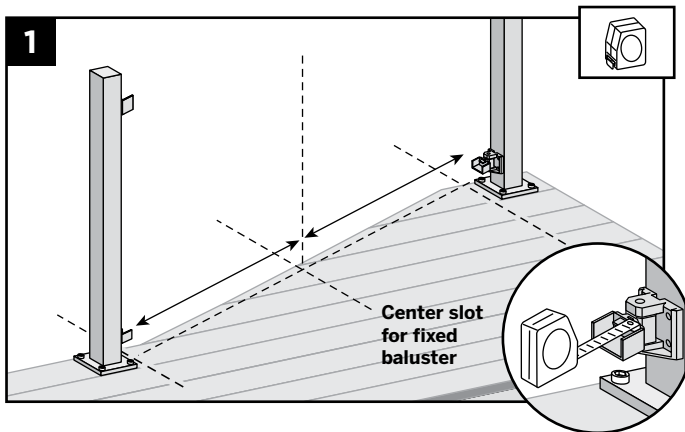
INSTALLATION OF HORIZONTAL SWIVEL RAILING

TREX® SIGNATURE™ STANDARD

NOTES:

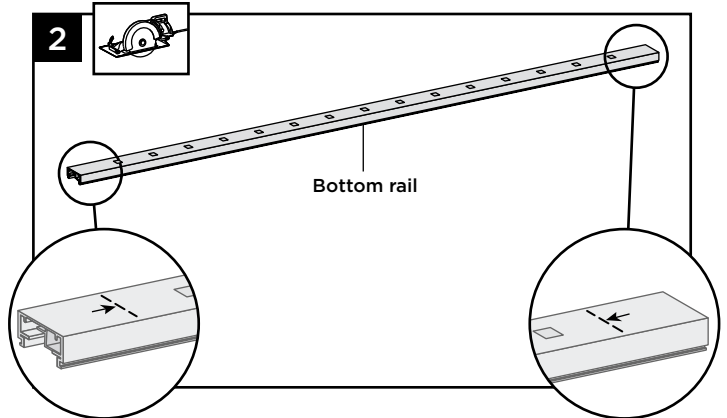
- » WHEN USING TREX® SIGNATURE™ HORIZONTAL SWIVEL BRACKETS, BOTH BOTTOM AND TOP RAILS WILL NEED TO BE MEASURED AND CUT TO APPROPRIATE LENGTHS.
- » HORIZONTAL SWIVEL BRACKETS CAN BE USED UP TO A 50° ANGLE FOR TREX® SIGNATURE™ RAILINGS.
- » WHEN USING HORIZONTAL SWIVEL BRACKETS VERY IMPORTANT TO LAY OUT LOCATION AND ORIENTATION OF POSTS AND SWIVEL BRACKETS BEFORE INSTALLING SWIVEL BRACKETS.
- » WHEN RAILINGS ARE CUT TO ODD SPANS, ALL SPANS GREATER THAN 5' (1.52 M) (EXAMPLE: 8' (2.44 M) SPAN CUT INTO ONE 5' (1.52 M) SPAN AND ONE 3' (0.91 M) SPAN) WOULD REQUIRE FOOT BLOCK UNDER 5' (1.52 M) SPAN SINCE SMALLER FIXED BALUSTER IS NO LONGER CENTERED.

How to Measure and Cut Bottom and Top Railings

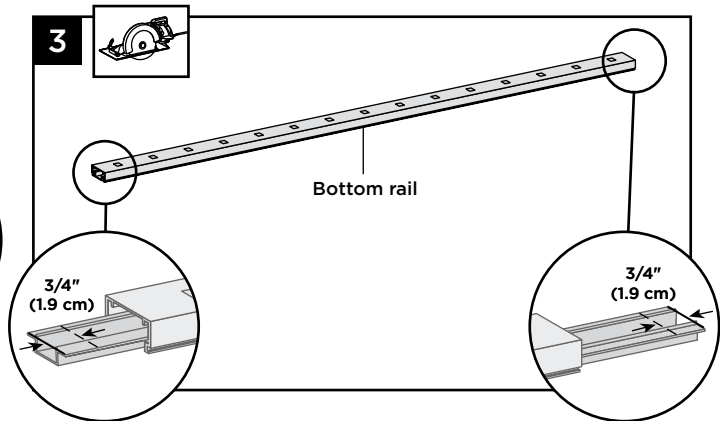


1. With brackets in correct swivel location, measure distance from inside of bracket to inside of bracket. ENSURE THAT BEFORE CUTTING, BALUSTERS HOLES ON BOTH BOTTOM AND TOP RAIL LINE UP. ALSO MAKE SURE CENTER BALUSTER SLOT IS AS CLOSE TO THE MIDDLE OF THE SPAN AS POSSIBLE. In some cases, due to odd railing spans, the center baluster may need to be offset in one or the other direction to ensure there is enough room at both post locations for balusters to be placed.

Cutting Bottom Rail and Bottom Rail Cover

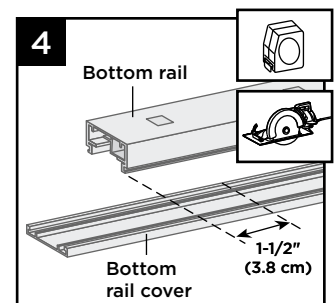


2. Cut bottom rail to the measurement between the bottom swivel brackets.



3. Slide rail insert out and cut 3/4" (1.9 cm) FROM EACH SIDE of insert, then slide back inside rail and center.

4. Mark and cut bottom rail cover 1-1/2" (3.8 cm) shorter than bottom rail.



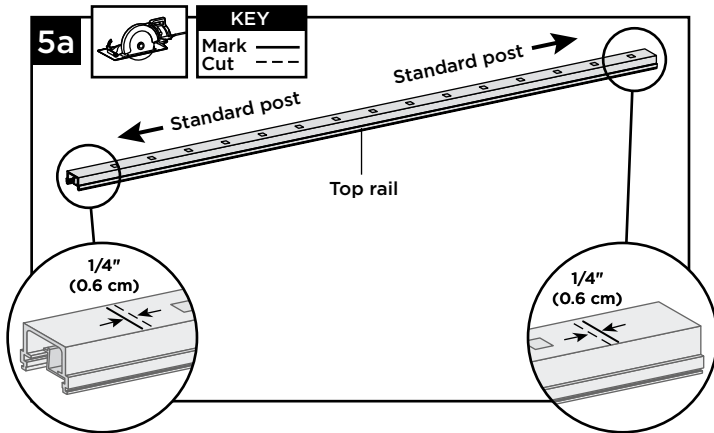
INSTALLATION OF HORIZONTAL SWIVEL RAILING/CONTINUED

TREX® SIGNATURE™ STANDARD

Cutting Top Rail

Option 1:

For Post-to-Post Configuration

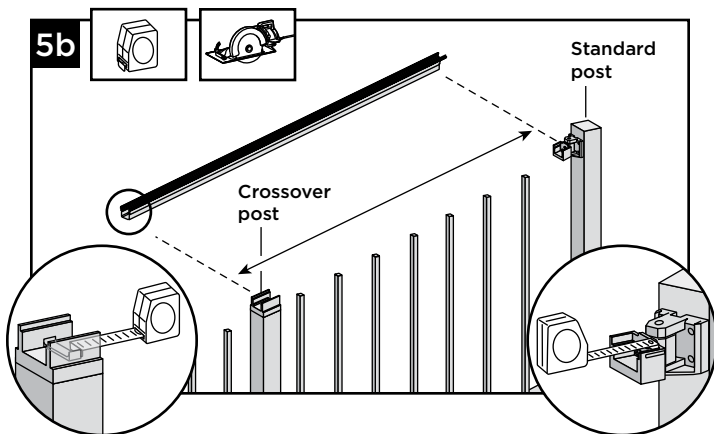


5a. Cut top rail to the measurement between the top swivel brackets. For standard post-to-standard post configurations this would be same dimensions as that of the bottom rail.

Cutting Top Rail

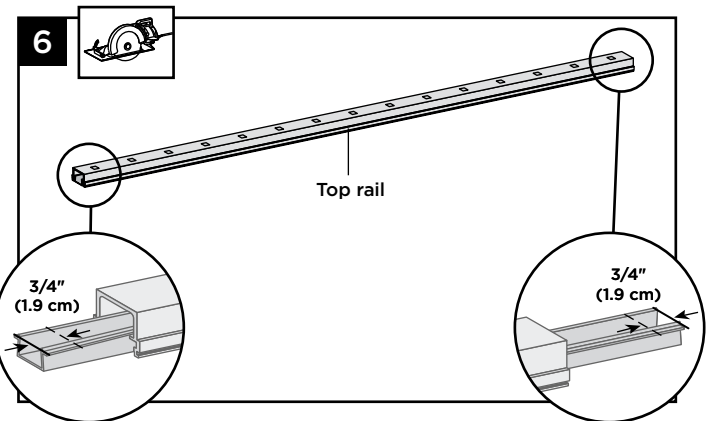
Option 2:

For Post-to-Crossover Post Configuration



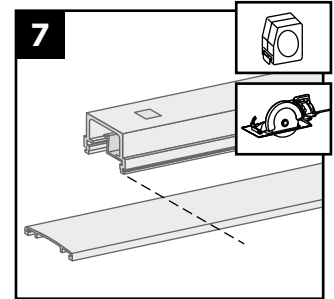
5b. When going from standard-post to crossover post, measurement must be taken from inside of top horizontal swivel bracket to inside lip of crossover post (which is attached to top of crossover post).

Cutting Top Rail Insert and Cover



6. Slide rail insert out and cut 3/4" (1.9 cm) **FROM EACH SIDE** of insert, then slide back inside rail and

7. Mark and cut top rail cover same length as top rail for all top rail configurations.



8. Attaching Center Baluster to Bottom Rail

See instructions on page 88 Post-to-Post or 92 Post-to-Crossover Post.

9. Attaching Bottom Rail Cover and Bottom Rail to Brackets

See instructions on page 88 Post-to-Post or 92 Post-to-Crossover Post.

10. Installing Remaining Balusters into Bottom Rail

See instructions on page 89 Post-to-Post or 92 Post-to-Crossover Post.

11. Attach Upper Railings

See instructions on page 89 Post-to-Post or 93 Post-to-Crossover Post.

12. Attachment of Bracket Covers, Skirts, and Caps

See instructions on page 90 Post-to-Post or 94 Post-to-Crossover Post.

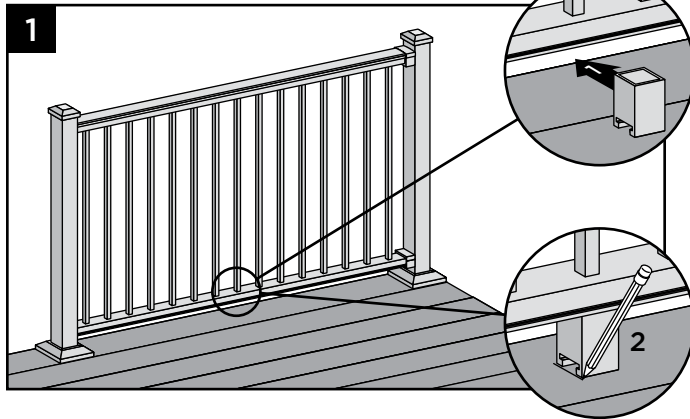
13. Attachment of Foot Block

See instructions on page 104.

HOW TO INSTALL FOOT BLOCKS-HORIZONTAL RAILING

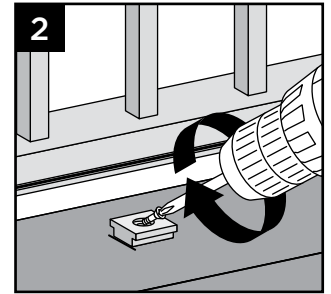
TREX® SIGNATURE™

Attachment of Foot Block (Required ONLY for All Clear Span Applications Over 6' [1.83 m])



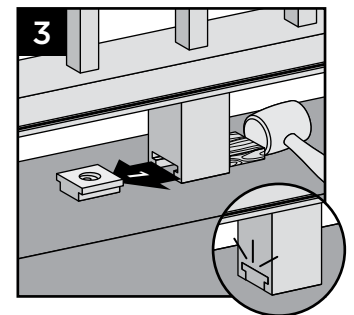
1. To ensure correct location, place foot block under center of bottom rail. Mark to provide placement location of base.

2. Place base (smaller side facing down) on decking surface. Attach base of foot block using one screw at an angle through base and into decking.



NOTE: Pre-drilling is recommended (1/8" [0.32 cm] drill bit) for attachment of base.

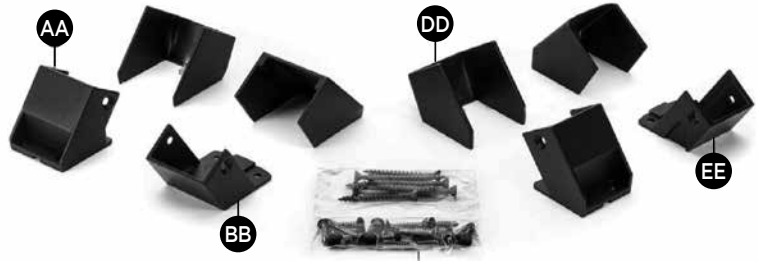
3. After attached, use a rubber mallet along with scrap piece of wood to tap foot block until it locks into place.



BRACKET HARDWARE - STAIR APPLICATIONS (INCLUDING STAIR SWIVEL BRACKETS, STAIR CROSSOVER BRACKET, AND COMPOUND SWIVEL BRACKETS) TREX® SIGNATURE™

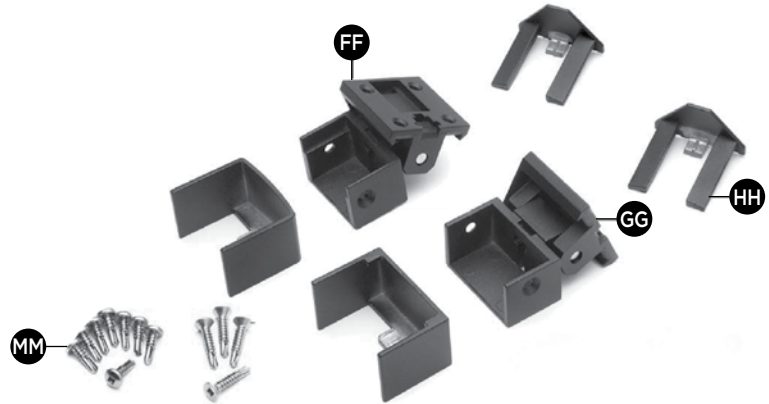
FIXED BRACKET - STAIR HARDWARE

- AA. Bottom Stair Bracket and Cover - Lower Rail
- BB. Top Stair Bracket and Cover - Lower Rail
- CC. Fastener Pack
- DD. Bottom Stair Bracket and Cover - Upper Rail
- EE. Top Stair Bracket and Cover - Upper Rail



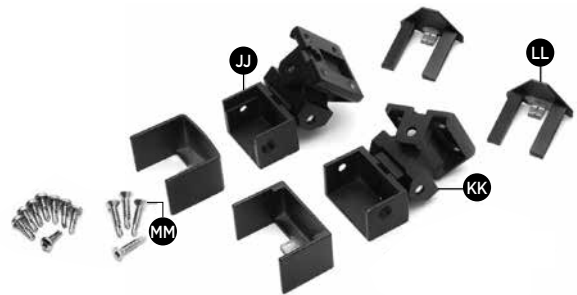
SWIVEL BRACKET - STAIR HARDWARE

- FF. Swivel Top Rail Bracket and Cover - Stair
- GG. Swivel Bottom Rail Bracket and Cover - Stair
- HH. Fastener Covers
- II. Fastener Pack



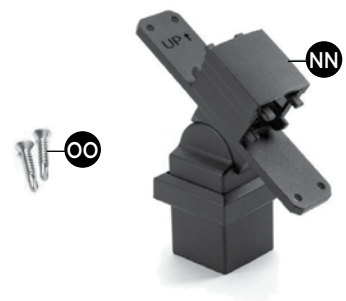
COMPOUND SWIVEL BRACKET - STAIR HARDWARE

- JJ. Compound Swivel Top Rail Bracket and Cover - Stair
- KK. Compound Swivel Bottom Rail Bracket and Cover - Stair
- LL. Fastener Covers
- MM. Fastener Pack



SWIVEL CROSSOVER BRACKET KIT - STAIR HARDWARE

- NN. Swivel Crossover Bracket - Stair
- OO. Post-to-Bracket Fasteners



HOW TO INSTALL TREX® SIGNATURE™ STAIR POSTS AND STAIR RAILING

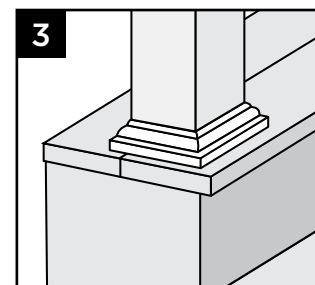
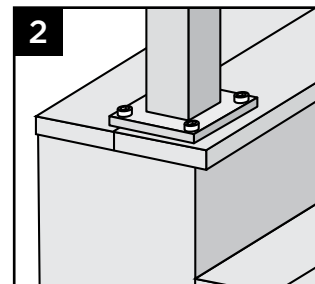
TREX® SIGNATURE™

IMPORTANT NOTES:

- » **TREX® SIGNATURE™ POSTS CANNOT BE USED WITH TREX® SIGNATURE™ TRADITIONAL OR TREX® SIGNATURE™ COCKTAIL STAIR DESIGNS, ONLY PRESSURE-TREATED POST/POST SLEEVES CAN BE USED. REFER TO DETAILED INSTRUCTIONS FOR MORE INFORMATION.**
- » **All Trex® Signature™ stair installations require the use of 53" (134.6 CM) stair post, measured and cut to appropriate length if required.**
- » **If crossover stair post is required, use stair post (again cut to appropriate length if required) and use swivel crossover bracket.**
- » **Trex® Signature™ Stair fixed brackets are designed to work only with stair slopes of 32°-37°.**
- » **For smaller (less than 32°) or larger angles (greater than 37°), use the Trex® Signature™ Stair Swivel brackets.**
- » **Trex® Signature™ Compound swivel stair brackets are designed for flared stair designs.**
- » **If installing stair railings at exact span lengths of 6' (1.8 M) or 8' (2.4 M) and using post-to-post configuration, the bottom stair rail will not need to be cut*, but the top stair rail will need to be measured (making sure balusters line up vertically) and cut.**
- » **If installing stair railings at exact span lengths of 6' (1.8 M) or 8' (2.4 M), and using crossover post configuration (spans from one crossover post to another crossover post), both the bottom and top stair rails will not need to be cut* if the angle is approximately 34°.**
- » **At all final end post configurations, top stair rail will need to be measured (making sure balusters line up vertically) and cut.**
- » **For odd span lengths, both bottom and top stair rails will need to be measured (making sure balusters line up vertically) and cut. Also, ensure that balusters are spaced with equal distance on each side of the post.**
- » **Rails that do not require cutting must be oriented in the correct direction to ensure balusters are spaced properly when installed in brackets. On both bottom and top stair railings, baluster hole closest to the end of the each stair rail is to be installed at the top of the stair section. Ensure that both bottom and top rails are correct and balusters line up vertically before INSTALLING.**

Installing Standard Trex® Signature™ Stair Posts, Trex® Signature™ Stair Crossover Posts, or Pressure-treated Post, Post Sleeves and Skirts

1. Make sure 53" (135.6 cm) posts are used for all stair posts.
2. If Trex® Signature™ stair posts are used, install at nose of stair tread directly under required blocking. See Trex® Signature™ horizontal post instructions on page 82 for details.
3. If pressure-treated post/post sleeves are used, posts are to be installed to the inside of the last stair stringer (rails must be over decking surface). See pressure-treated post instructions on page 83 for details.



ATTACHING FIXED STAIR BRACKETS AND RAILS TO TREX[®] SIGNATURE[™] POSTS AND PRESSURE-TREATED POST AND POST SLEEVES

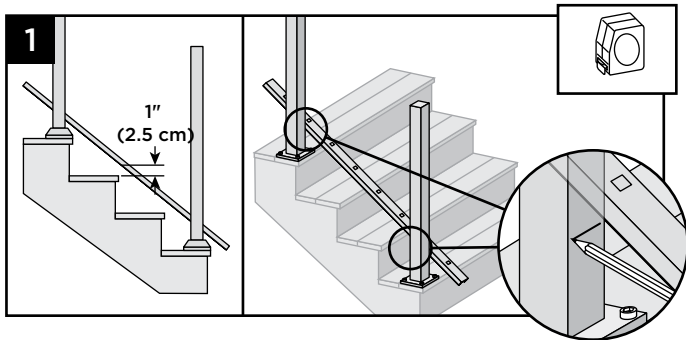
TREX[®] SIGNATURE[™]

NOTES:

- » All Trex[®] Signature[™] fixed stair brackets work **ONLY** with stair slopes of 32°-37°.
- » Illustrations shown are representations when using Trex[®] Signature[™] post, but same rules apply if using pressure-treated posts and post sleeves.
- » Use a clamp to help hold stair brackets in place while fastening with screws.

IMPORTANT NOTE:

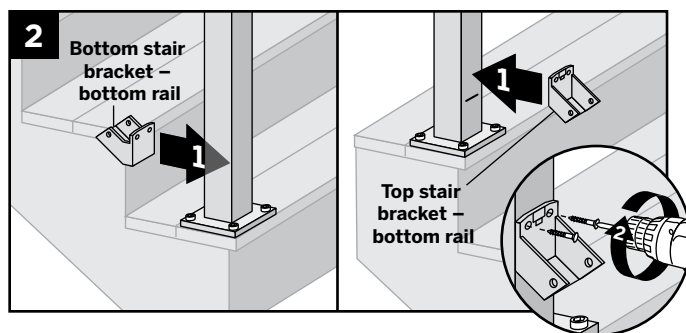
- » **BEFORE ATTACHING ANY UPPER BRACKETS MAKE SURE PROPER RAILING HEIGHTS ARE ACHIEVED. RAILING HEIGHTS AND UPPER BRACKET HEIGHTS MAY NEED TO BE ADJUSTED, HOWEVER, DO NOT REDUCE HEIGHTS BASED ON YOUR RAILING CODE REQUIREMENTS. MEASURE CAREFULLY AS DIMENSION HEIGHTS MAY NEED TO BE ADJUSTED!**



1. Lay bottom stair rail on steps beside posts. Position bottom rail at least 1" (2.5 cm) above nose of stair tread.

TIP: Use a 1" (2.5 cm) deck board as a spacer board and clamp rails to post. Mark where lower brackets are to be attached to both posts. Mark at underside of railing location.

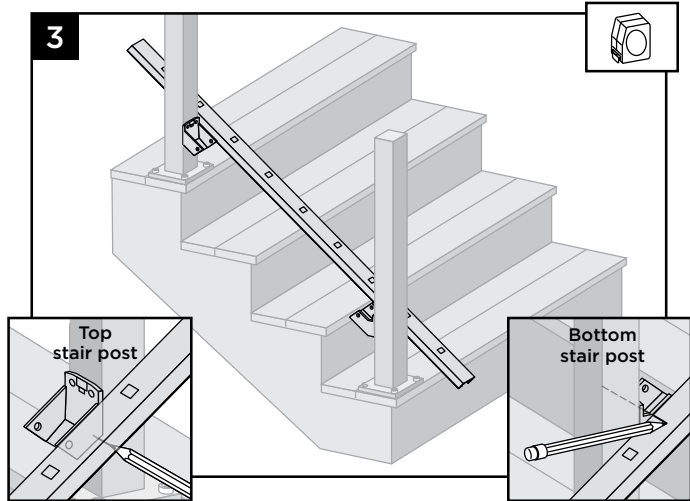
Installing Lower Fixed Stair Brackets



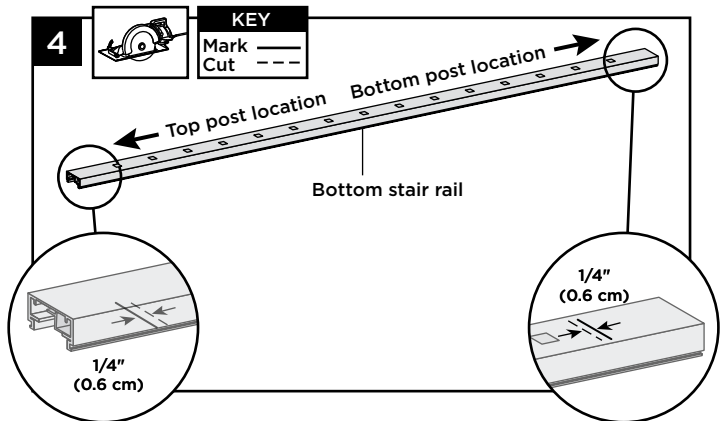
2. Center lower stair bracket on post above the marked line and attach using two self-tapping screws (provided). In some cases it may be difficult to attach the stair bracket on the lower stair post.

A 90° cordless drill is recommended to attach screws in this area (if possible).

How to Measure Bottom Stair Railing (WHEN REQUIRED)



3. Position bottom stair rail along the nose of the stair treads. Ensure that before cutting, balusters holes are centered in between the posts and also allow for clearance for attachment to brackets. On top stair post location, mark **UNDERSIDE** of lower rail. On bottom stair post location mark **TOPSIDE** of lower rail at angled intersection of the bracket.

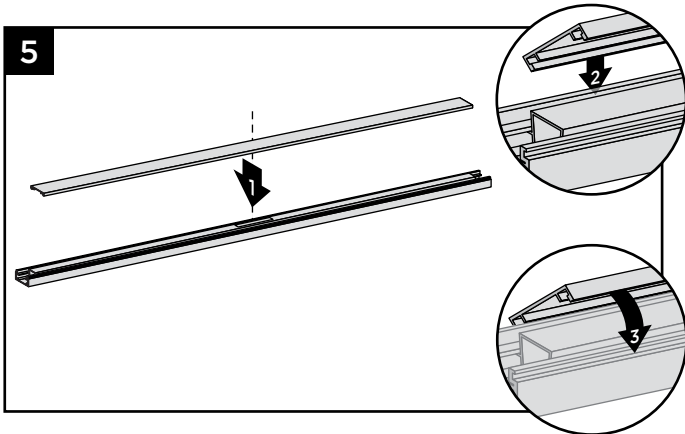


4. Cut each end of the bottom stair rail, rail insert, and bottom rail cover 1/4" (0.6 cm) shorter than the mark on each end to allow for fit into bottom stair rail brackets.

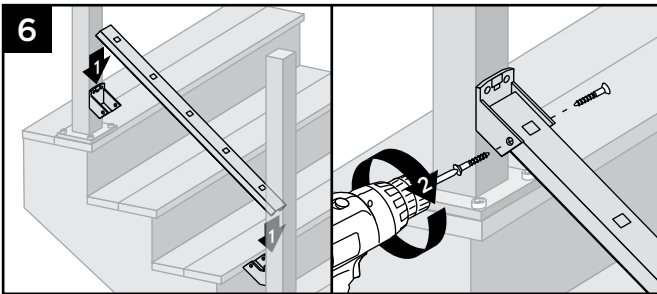
NOTE: Railing does not need to be cut at angle. Brackets are designed to allow for railing to be installed with standard straight cut.

ATTACHING FIXED STAIR BRACKETS AND RAILS TO TREX® SIGNATURE™ POSTS AND PRESSURE-TREATED POST AND POST SLEEVES/CONTINUED

TREX® SIGNATURE™



5. Attach “flat” bottom stair rail cover to bottom stair rail. Align cover on one side of the bottom rail in slot on side of rail. Then starting from one end of rail snap cover onto opposing slot working down the length of the rail. In some cases, **GENTLE** tapping with a **rubber mallet** may facilitate fastening.

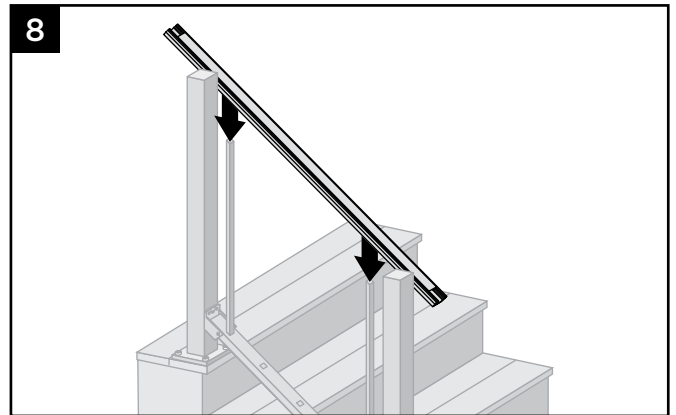
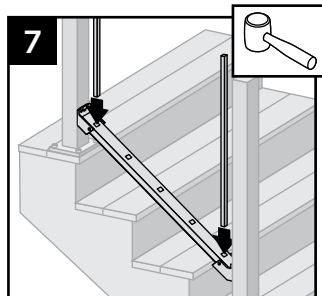


6. Set bottom stair rail into bottom stair rail brackets. Attach bottom stair rail to bottom stair bracket using two self-tapping screws (*provided*) on each side of bracket.

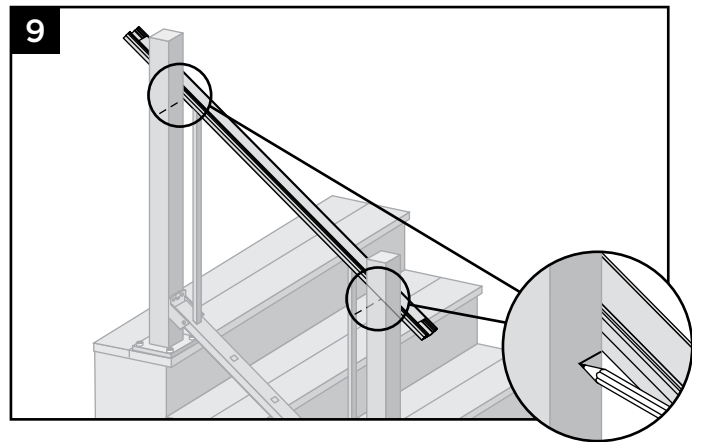
Installing Upper Fixed Stair Brackets and Measuring Upper Rail

IMPORTANT NOTE: BEFORE CUTTING ANY TOP RAILS, MAKE SURE THAT ALL BALUSTER HOLES LINE UP PARALLEL WHEN MEASURING!

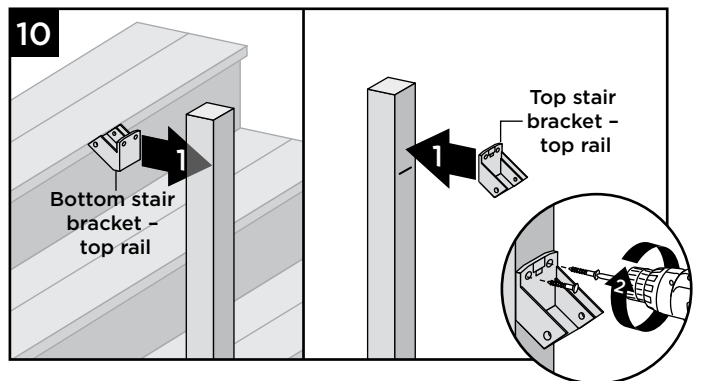
7. Place two balusters into lower rail at each end closest to post.



8. Position top stair rail onto balusters ensuring balusters are fully seated in top rail (position to side of post) and **ENSURE** that balusters are parallel with post.



9. Mark a light line on posts at **UNDERSIDE** of rail to show the location of the fixed stair brackets.

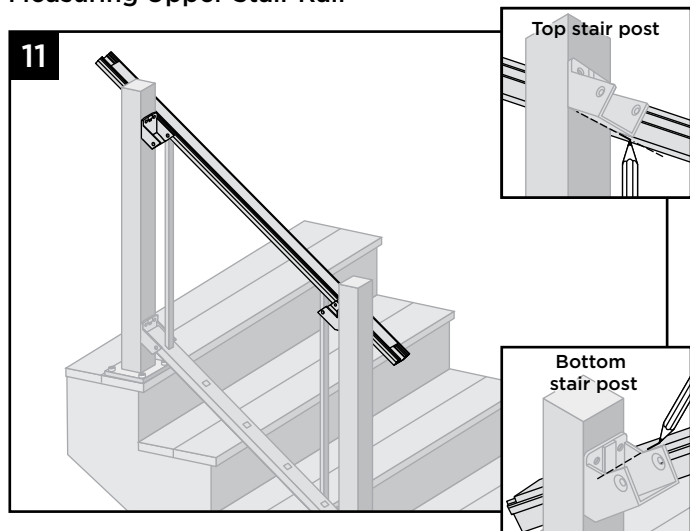


10. Remove upper stair rail and center upper stair fixed bracket on post **above** the marked line and attach using two self-tapping screws (*provided*).

ATTACHING FIXED STAIR BRACKETS AND RAILS TO TREX[®] SIGNATURE[™] POSTS AND PRESSURE-TREATED POST AND POST SLEEVES/CONTINUED

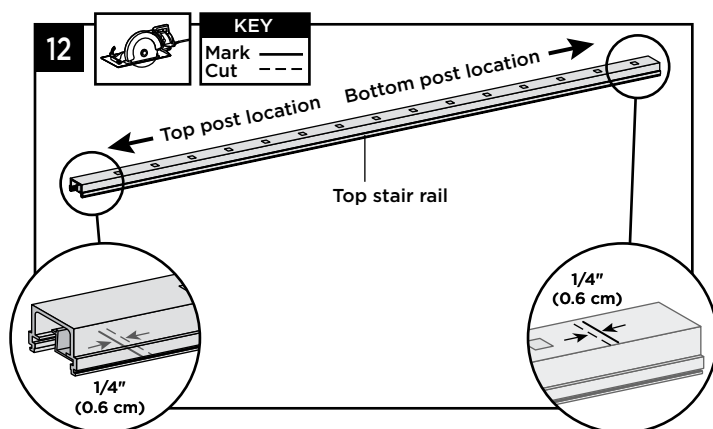
TREX[®] SIGNATURE[™]

Measuring Upper Stair Rail



11. On top stair post location, mark **UNDERSIDE** of upper rail. On bottom stair post location mark **TOPSIDE** of upper rail at angled intersection inside the bracket.

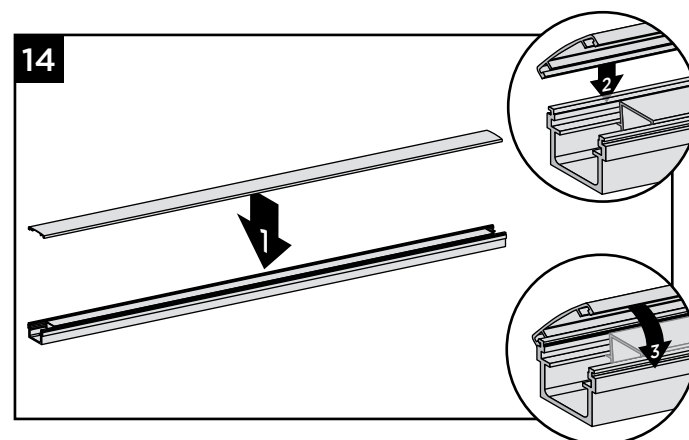
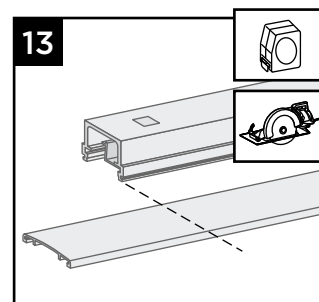
Cutting Top Stair Rail Cover, and Attachment of Top Stair Rail Cover



12. Cut each end of top stair rail along with rail insert 1/4" (0.6 cm) shorter than mark to allow for fit into top stair rail bracket.

NOTE: Railing does not need to be cut at angle. Brackets are designed to allow for railing to be installed with standard straight cut.

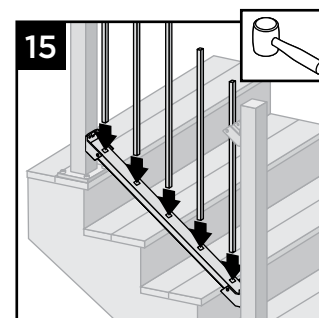
13. Mark and cut top rail cover same length as top rail for all top rail configurations.



14. Attach "crowned" upper stair rail cover to upper stair rail by aligning cover on one side of rail. Then starting from one end of stair rail, snap cover onto opposing slot working down length of stair rail. **GENTLE** tapping with a **rubber mallet** may facilitate fastening.

Installing Balusters into Bottom Stair Rail

15. Place balusters into holes in lower stair rail by snapping fully into place. In some cases, **GENTLE** tapping with a **rubber mallet** may facilitate fastening.

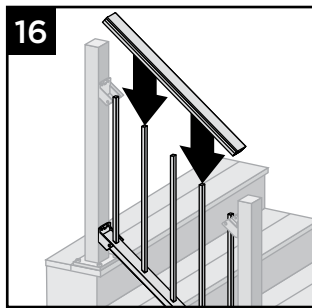


ATTACHING FIXED STAIR BRACKETS AND RAILS TO TREX® SIGNATURE™ POSTS AND PRESSURE-TREATED POST AND POST SLEEVES/CONTINUED

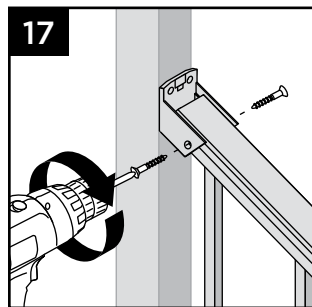
TREX® SIGNATURE™

Attaching Upper Stair Rails

16. Working from one end of upper stair rail, snap balusters into upper stair rail working down length of rail.



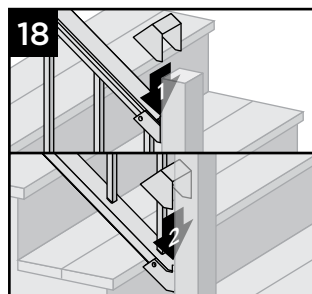
17. Attach top stair rail to top stair bracket (all types) using two self-tapping screws (provided) on each side of stair bracket.



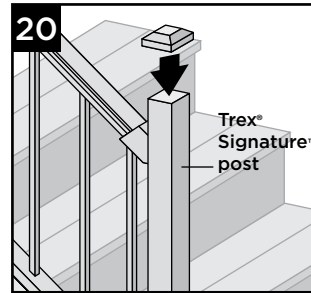
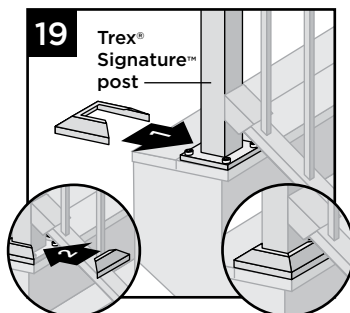
NOTE: Pre-drilling is required (7/64" [0.28 cm] drill bit) for attachment of stair railing to stair bracket.

Attachment of Stair Bracket Covers, Skirts, and Caps

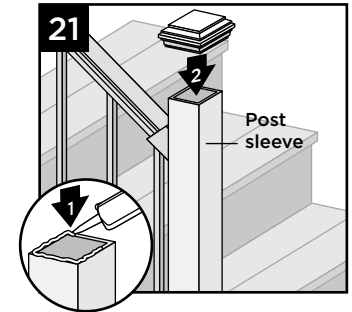
18. Attach corresponding bracket covers over opening in upper and bottom rails.



19. Attach provided post skirt to bottom of posts when using Trex® Signature™ posts.



20. Attach post caps to Trex® Signature™ posts (use of **rubber mallet** may be required for secure attachment).



21. Attach post caps to post sleeves using external grade PVC construction adhesive.

ATTACHING STAIR SWIVEL/COMPOUND SWIVEL BRACKETS AND RAILS TO TREX® SIGNATURE™ POSTS AND PRESSURE-TREATED POST AND POST SLEEVES

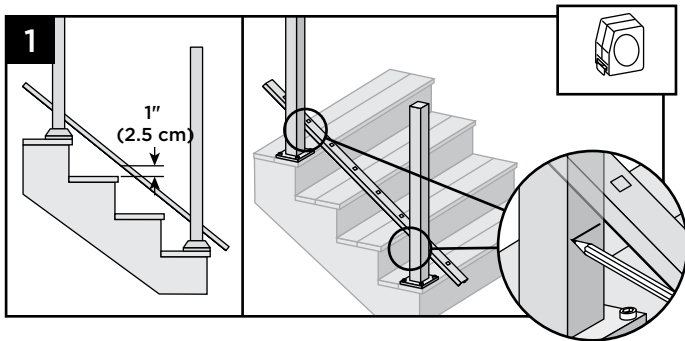
TREX® SIGNATURE™

NOTES:

- » Illustrations shown are representations when using Trex® Signature™ post, but same rules apply if using pressure-treated posts and post sleeves.
- » Use a clamp to help hold stair brackets in place while fastening with screws.

IMPORTANT NOTE:

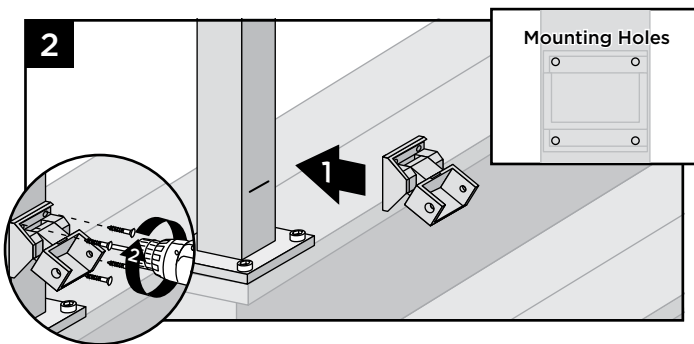
- » BEFORE ATTACHING ANY UPPER BRACKETS, MAKE SURE PROPER RAILING HEIGHTS ARE ACHIEVED. RAILING HEIGHTS AND UPPER BRACKET HEIGHTS MAY NEED TO BE ADJUSTED, HOWEVER, DO NOT REDUCE HEIGHTS BASED ON YOUR RAILING CODE REQUIREMENTS. MEASURE CAREFULLY AS DIMENSION HEIGHTS MAY NEED TO BE ADJUSTED!



1. Lay bottom stair rail on steps beside posts. Position bottom rail at least 1" (2.5 cm) above nose of stair tread.

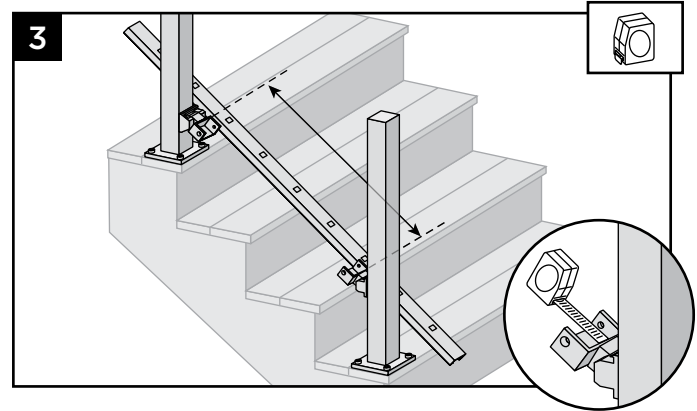
TIP: Use a 1" (2.5 cm) deck board as a spacer board and clamp rails to post. Mark where lower brackets are to be attached to both posts. Mark at underside of railing location.

Installing Lower Stair Swivel and Compound Swivel Brackets



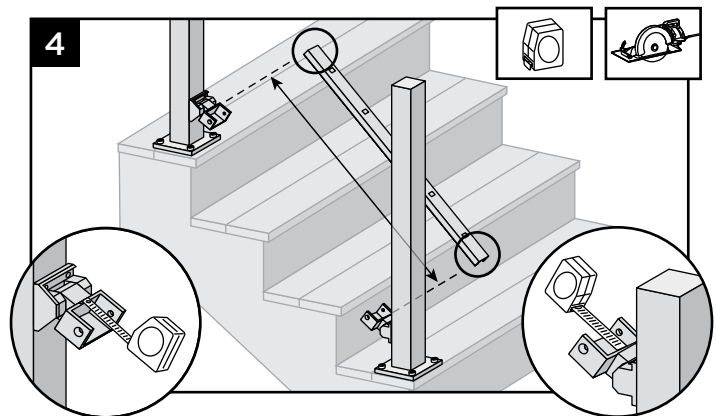
2. Center lower stair swivel bracket on post above the marked line and attach using four self-tapping screws (provided). In some cases it may be difficult to attach the stair bracket on the lower stair post. A 90° cordless drill is recommended to attach screws in this area (if possible).

How to Measure Bottom Stair Railings (WHEN REQUIRED)



3. With brackets in correct swivel locations, measure distance from inside of swivel bracket to inside of swivel bracket. Ensure that before cutting, balusters holes are parallel and centered in between the posts and also allow for clearance for attachment to brackets. Mark bottom stair rail at each intersection.

Cutting Bottom Stair Rail, Bottom Stair Rail Cover, and Attachment of Bottom Stair Rail Cover

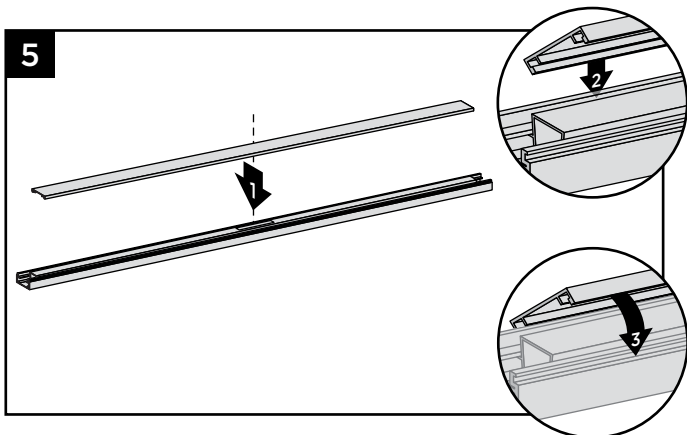


4. Cut each end of the bottom rail, rail insert, and bottom rail cover at the mark on each end to allow for fit into bottom stair rail brackets.

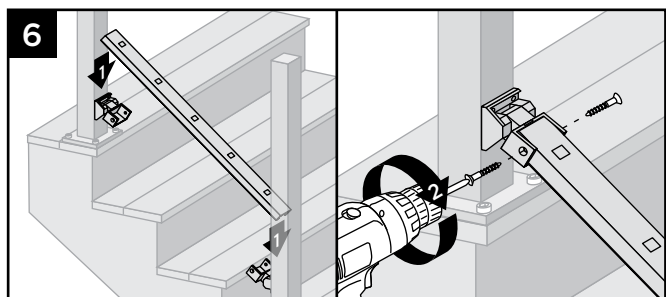
NOTE: Railing does not need to be cut at angle. Brackets are designed to allow for railing to be installed with standard straight cut.

ATTACHING STAIR SWIVEL/COMPOUND SWIVEL BRACKETS AND RAILS TO TREX® SIGNATURE™ POSTS AND PRESSURE-TREATED POST AND POST SLEEVES/CONTINUED

TREX® SIGNATURE™



5. Attach “flat” bottom stair rail cover to bottom stair rail. Align cover on one side of the bottom rail in slot on side of rail. Then starting from one end of rail snap cover onto opposing slot working down the length of the rail. In some cases, **GENTLE** tapping with a **rubber mallet** may facilitate fastening.

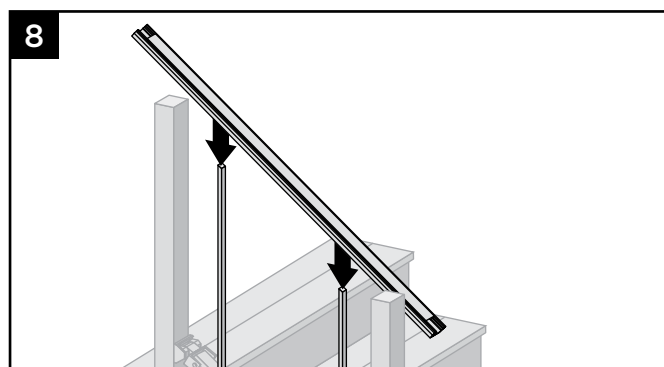
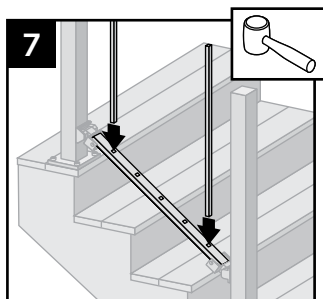


6. Set bottom stair rail into bottom stair rail brackets. Attach bottom stair rail to bottom stair bracket using two self-tapping screws (*provided*) on each side of bracket.

Installing Upper Brackets and Measuring Upper Stair Rail-Stair Swivel and Compound Swivel

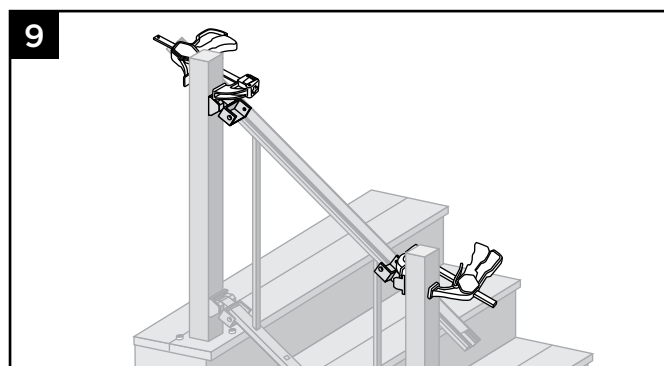
IMPORTANT NOTE: BEFORE CUTTING ANY TOP RAILS MAKE SURE THAT WHEN MEASURING, ALL BALUSTER HOLES LINE UP PARALLEL!

7. Place two balusters into lower rail at each end closest to post.

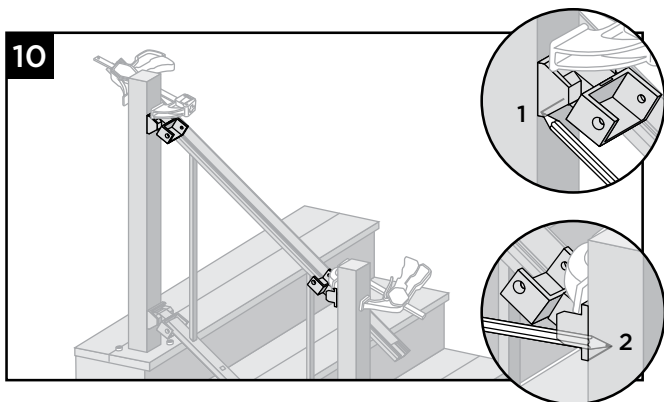


8. Position top stair rail onto balusters ensuring balusters are fully seated in top rail (position to side of post) and **ENSURE** that balusters are parallel with post.

Installing Upper Stair Swivel and Compound Swivel Brackets



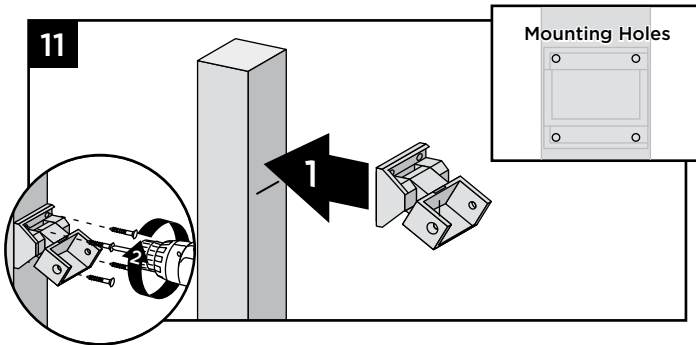
9. Clamp brackets to side of rail with brackets in correct swivel location/angle (this is important to ensure correct location of swivel brackets).



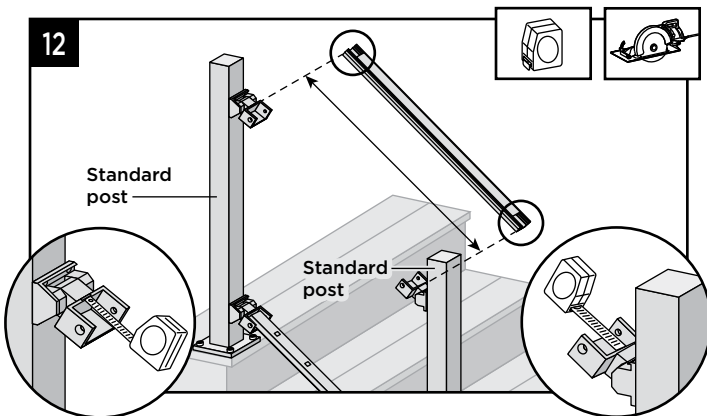
10. Mark a light line on posts at **UNDERSIDE** of where swivel bases (positioned correctly) meets the posts.

ATTACHING STAIR SWIVEL/COMPOUND SWIVEL BRACKETS AND RAILS TO TREX® SIGNATURE™ POSTS AND PRESSURE-TREATED POST AND POST SLEEVES/CONTINUED

TREX® SIGNATURE™

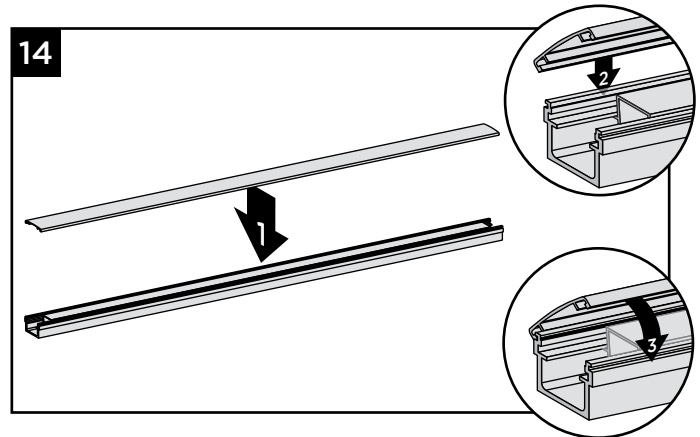
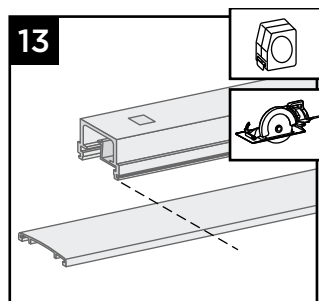


11. Remove upper stair rail from balusters and center upper stair swivel bracket on post **above** the marked line and attach using four self-tapping screws (*provided*).



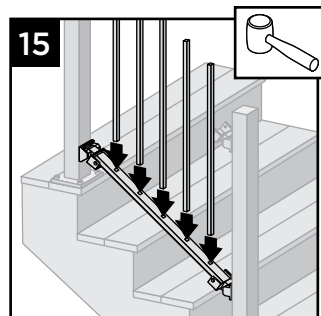
12. Cut top rail along with rail insert to the measurement between the top stair swivel brackets. For standard post to standard post configurations this would be same dimensions as that of the bottom stair rail.

13. Mark and cut top rail cover same length as top rail for all top rail configurations.

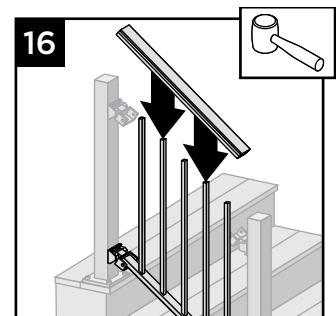


14. Attach “crowned” upper stair rail cover to upper stair rail by aligning cover on one side of rail. Then starting from one end of stair rail, snap cover onto opposing slot working down length of stair rail. **GENTLE** tapping with a **rubber mallet** may facilitate fastening.

Installing Balusters into Bottom Stair Rail



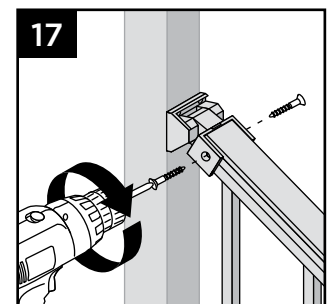
15. Place balusters into holes in lower stair rail by snapping fully into place. In some cases, **GENTLE** tapping with a **rubber mallet** may facilitate fastening.



Attaching Upper Stair Rails

16. Working from one end of upper stair rail, snap balusters into upper stair rail working down length of rail.

17. Attach top stair rail to top stair bracket (all types) using two self-tapping screws (*provided*) on each side of stair bracket.

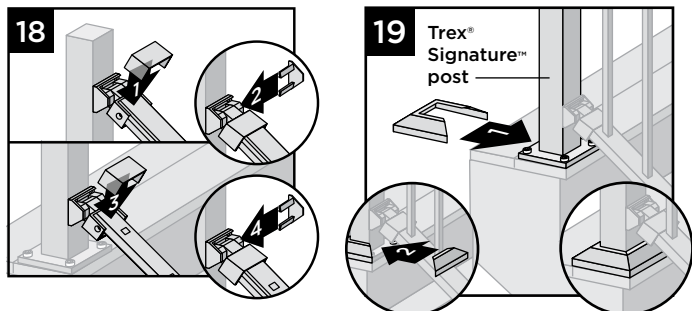


NOTE: Pre-drilling is required (7/64" [0.28 cm] drill bit) for attachment of stair railing to stair bracket.

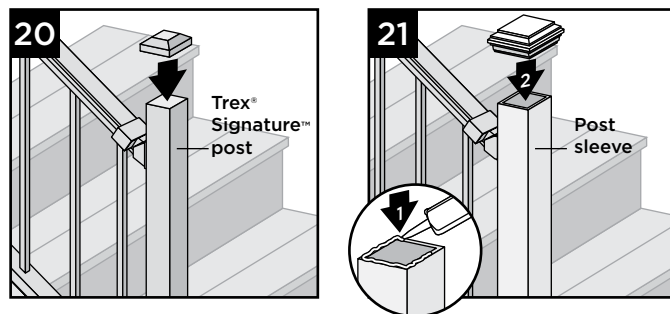
ATTACHING STAIR SWIVEL/COMPOUND SWIVEL BRACKETS AND RAILS TO TREX® SIGNATURE™ POSTS AND PRESSURE-TREATED POST AND POST SLEEVES/CONTINUED

TREX® SIGNATURE™

Attachment of Stair Bracket Covers, Skirts, and Caps



18. Attach corresponding bracket covers over opening in upper and bottom rails.
19. Attach provided post skirt to bottom of posts when using Trex® Signature™ posts.

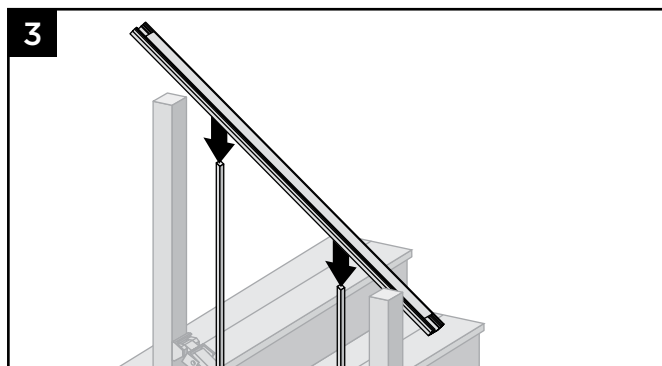
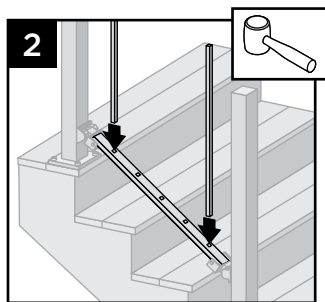


20. Attach post caps to Trex® Signature™ posts (use of **rubber mallet** may be required for secure attachment).
21. Attach post caps to post sleeves using external grade PVC construction adhesive.

ATTACHING CROSSOVER SWIVEL BRACKET ON SIGNATURE POST

TREX® SIGNATURE™

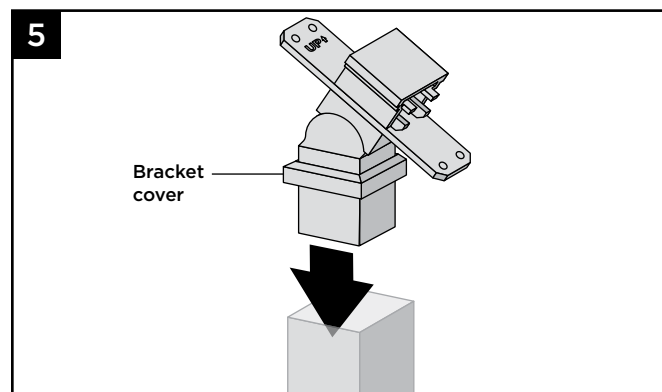
1. Follow previous instructions for installation of lower stair rail into either fixed or swivel brackets.
2. Place two balusters into lower stair rail at each end of post.



3. Position top stair rail onto balusters ensuring balusters are fully seated in top rail (position to side of post) and **ENSURE** that balusters are parallel with post.

4. Follow previous instructions marking and installation of either fixed or swivel bracket where this is required.

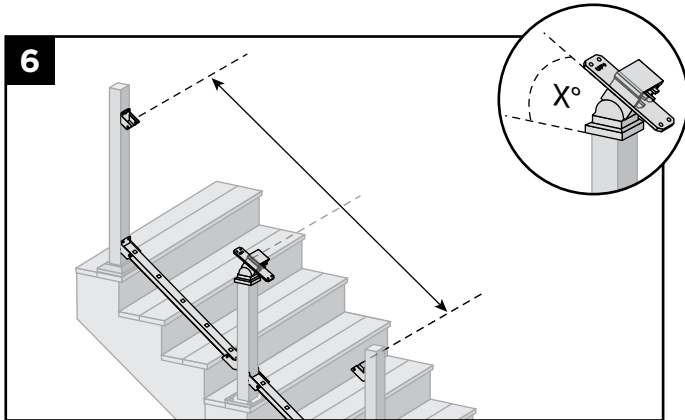
Attaching Stair Crossover Swivel Bracket to Post



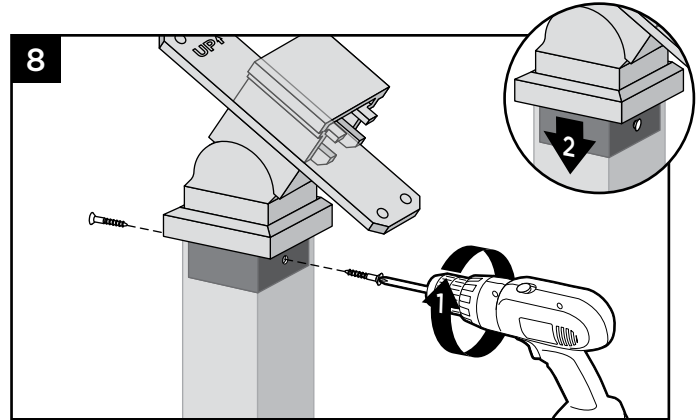
5. Insert stair crossover swivel bracket into post.

NOTE: Keep the bracket cover on when inserting this into post, this will cover the screw attachment area.

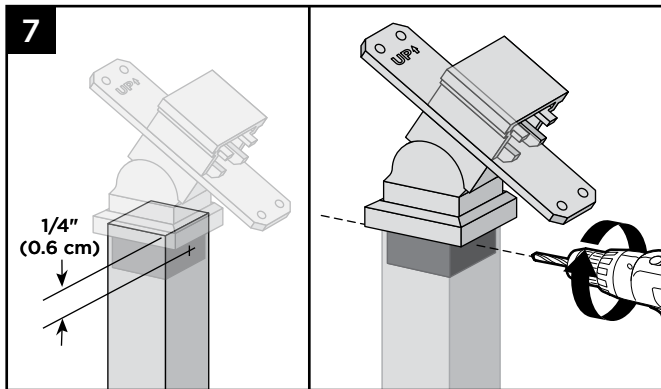
ATTACHING CROSSOVER SWIVEL BRACKET ON TREX® SIGNATURE™ POST/CONTINUED TREX® SIGNATURE™



6. Determine location/height of the stair crossover swivel bracket by aligning the angle of this with the fixed brackets (or compound swivel brackets) already installed (posts can be cut if necessary).



8. Attach stair crossover swivel bracket to post with two self-tapping screws (*provided*). Slide cover over post to hide screws.



7. Once location/height is determined, center and pre-drill two holes (using a drill bit slightly smaller than that of self-tapping screw diameter) on opposite sides of post, approx. 1/4" (0.6 cm) from top of post. Drill through the post and into the stair crossover swivel bracket on each side.

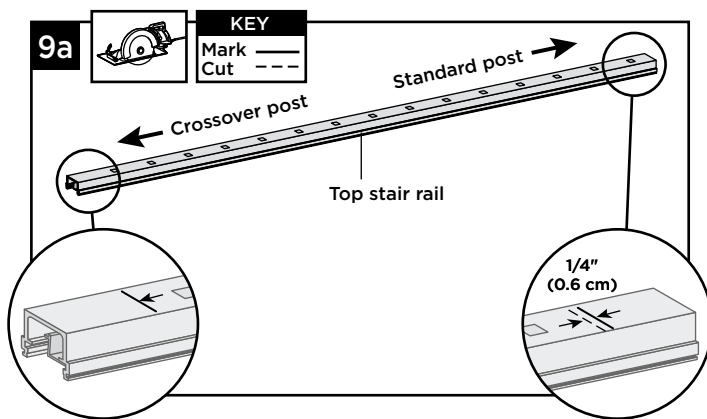
NOTE: Slightly countersink pre-drilled holes to allow for flat head screw to seat flush on the post. This will allow cover to fit over screw heads.

ATTACHING STAIR RAILS IN CROSSOVER POST APPLICATIONS

TREX® SIGNATURE™

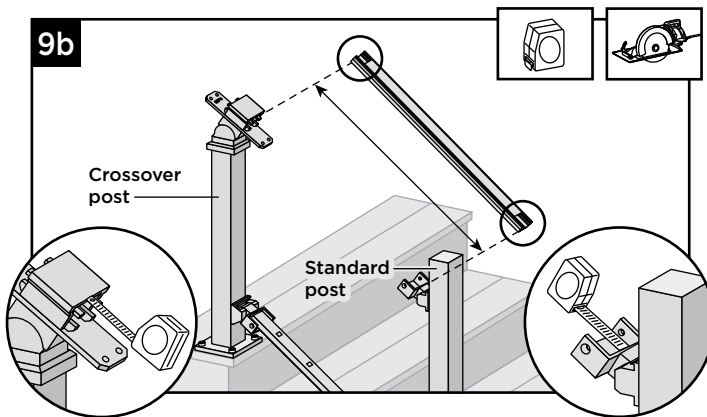
Cutting Top Stair Rail and Insert For Stair Post-to-Stair Crossover Post Configuration

When Using Fixed Stair Brackets:



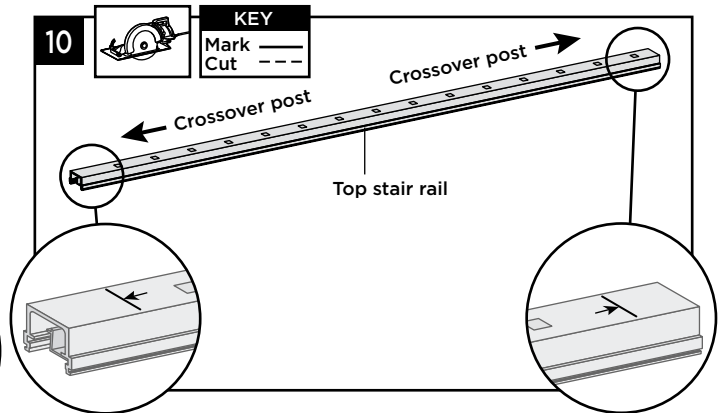
- 9a. Top stair rail along with rail insert must be cut differently on each side of the rail. Railing side that attaches to standard post should be cut 1/4" (0.6 cm) shorter than the mark to allow for fit into top rail bracket. Railing side that attaches to the crossover post should be cut directly on the mark to allow for fit into the crossover post bracket.

When using Upper Stair Swivel and Stair Crossover Swivel Brackets:



- 9b. When going from standard stair post to stair crossover post, measurement must be taken from inside of top horizontal stair swivel bracket to inside lip of stair crossover bracket. Crossover post will need to be modified to have swivel crossover bracket installed.

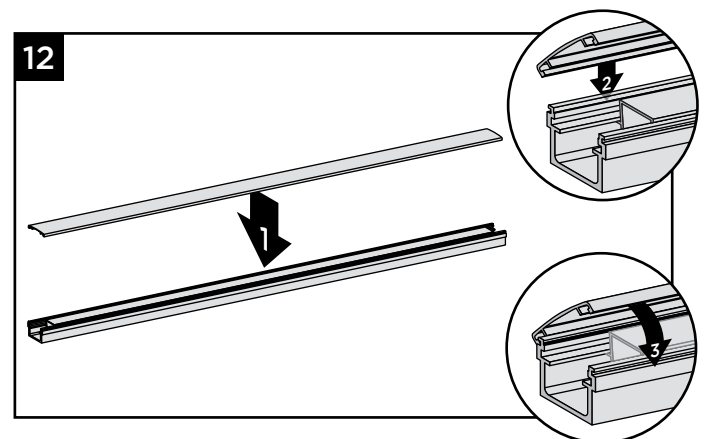
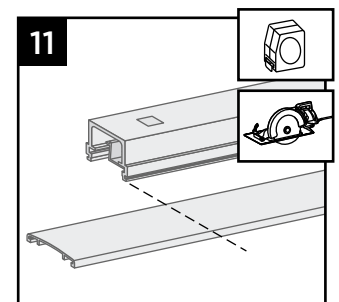
Cutting Top Stair Rail and Rail Insert For Stair Crossover Post-to-Stair Crossover Post Configuration



10. Cut each end of the top stair rail along with rail insert on the mark line to allow for fit into the crossover post bracket on each side.

Cutting Top Stair Rail Cover, and Attachment of Top Stair Rail Cover

11. Mark and cut top rail cover same length as top rail for all top rail configurations.

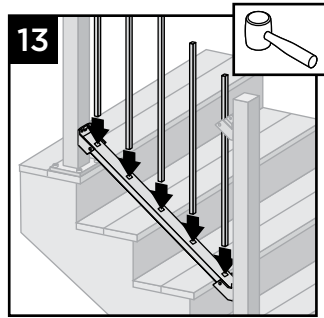


12. Attach "crowned" upper stair rail cover to upper stair rail by aligning cover on one side of rail. Then, starting from one end of stair rail, snap cover onto opposing slot working down length of stair rail. **GENTLY** tapping with a **rubber mallet** may facilitate fastening.

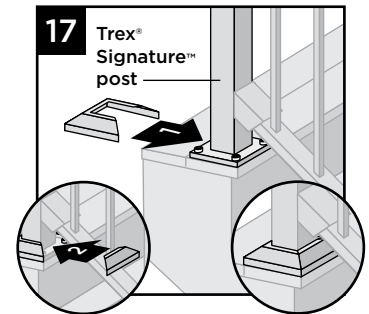
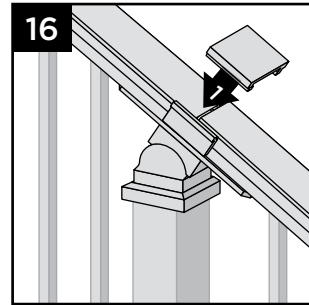
ATTACHING STAIR RAILS IN CROSSOVER POST APPLICATIONS/CONTINUED TREX® SIGNATURE™

Installing Balusters into Bottom Stair Rail

13. Place balusters into holes in lower stair rail by snapping fully into place. In some cases, **GENTLE** tapping with a **rubber mallet** may facilitate fastening.

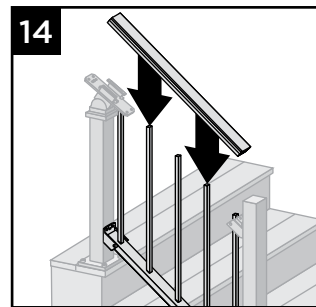


Attachment of Stair Bracket Covers, Skirts, and Caps



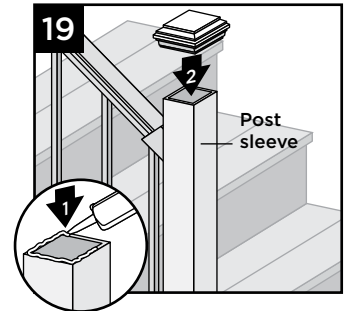
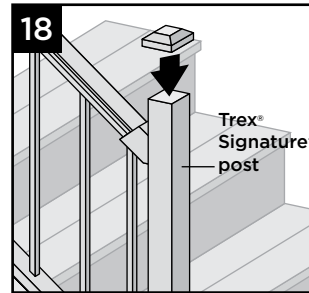
Attaching Upper Stair Rails

14. Working from one end of upper stair rail, snap balusters into upper stair rail working down length of rail.

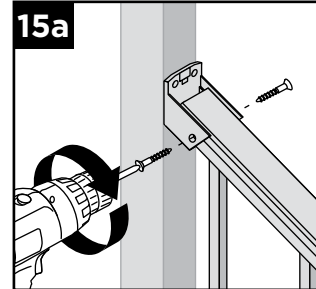


16. Attach crossover bracket covers over opening in upper rails.

17. Attach provided post skirt to bottom of posts when using Trex® Signature™ posts.



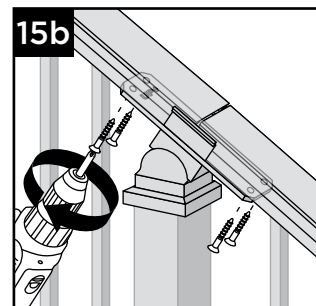
- 15a. For stair post-to-post configuration, attach top stair rail to top stair bracket (all types) using two self-tapping screws (*provided*) on each side of stair bracket.



18. Attach post caps to Trex® Signature™ posts (use of **rubber mallet** may be required for secure attachment).

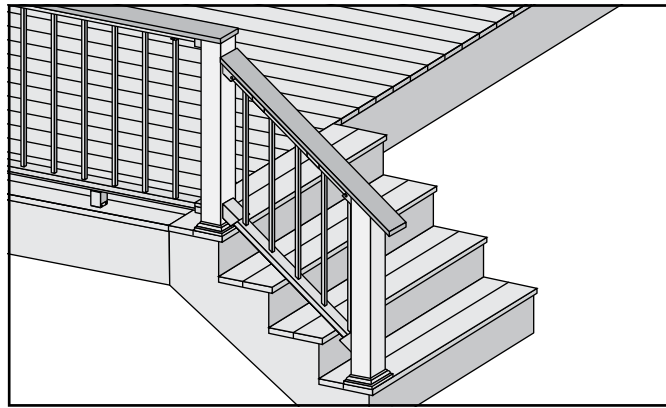
19. Attach post caps to post sleeves using external grade PVC construction adhesive.

- 15b. For stair crossover post configuration, fasten upper stair rail to swivel crossover post bracket by installing screws diagonally through crossover stair bracket into upper rail using two self-tapping screws (*provided*) on each side.



NOTE: Pre-drilling is required (7/64" [0.28 cm] drill bit) for attachment of stair railing to stair bracket.

HOW TO INSTALL TREX® SIGNATURE™ COCKTAIL STAIR RAILING



IMPORTANT NOTES:

- » Only for use with pressure-treated 4 x 4 post (3.5" nominal square) and 4" x 4" (102 mm x 102 mm) post sleeve. Trex® Signature™ posts, Trex post mounts or joist mount posts cannot be used with Trex® Signature™ Cocktail stair railing. Cutting post and post sleeve only apply to the Cocktail style railing.
- » DO NOT CUT POST/POST SLEEVES UNTIL TOP RAILING AND COVER IS FULLY INSTALLED.
- » When referring to previous instructions referenced, disregard all crossover post instructions as these cannot be used with Cocktail railing.
- » THE DECK BOARD USED IN TREX® SIGNATURE™ COCKTAIL WILL NEED TO TERMINATE AT THE TOP OF THE POST AS SHOWN ABOVE. THE DECK BOARD WILL HAVE TO BE TOENAILED INTO THE SIDE OF THE POST IN THESE AREAS USING 2 APPROPRIATE COMPOSITE DECKING SCREWS - PRE-DRILLING IS RECOMMENDED.
- » Do Not use Enhance (scalloped profile) or Escapes for top board.

Installing Pressure-treated Posts, Post Sleeves, and Skirts to Use with Trex® Signature™ Railing

1. See instructions on page 106.

Installing Brackets

2. Follow previous stair instructions for the installation of desired brackets, making sure that all dimensions are calculated before installation, and ensuring deck board is placed in correct location. See instructions on page 107 for fixed stair brackets and 111 for swivel stair brackets.

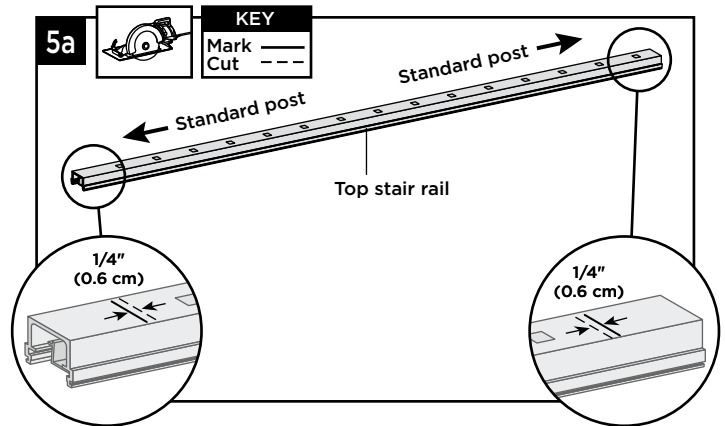
Cutting Bottom Stair Rail and Cover, and Attachment of Bottom Stair Rail

3. See instructions on page 107 for fixed stair brackets and page 111 for swivel stair brackets.

How to Measure Top Stair Railings (WHEN REQUIRED)

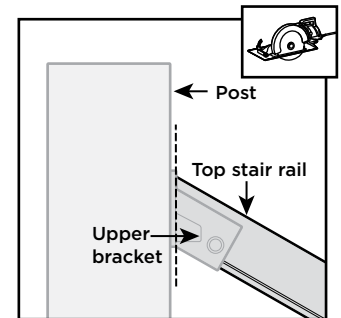
4. See instructions on page 108 for fixed stair brackets and 112 for swivel stair brackets.

Cutting Top Stair Rail, Rail Insert and Cover When using Fixed Stair Brackets



- 5a. Cut each end of top stair rail along with rail insert 1/4" (0.6 cm) shorter than mark to allow for fit into top stair rail bracket.

NOTE: THE TOP RAIL WILL NEED TO BE CUT AT APPROPRIATE ANGLE ON THE END OF THE RAIL THAT CONNECTS TO THE UPPER FIXED BRACKET, SO THAT WHEN THE RAIL IS INSTALLED IT SITS FLUSH WITH THE END OF THE BRACKET AS SHOWN.



Cutting Top Stair Rail, Rail Insert and Cover When using Upper Stair Swivel and Compound Swivel Brackets

- 5b. See instructions on page 113.

Installing Balusters into Bottom Stair Rail

6. See instructions on page 109 for fixed stair brackets and page 113 for swivel stair brackets.

Attaching Upper Stair Rails

7. See instructions on page 110 for fixed stair brackets and page 113 for swivel stair brackets.

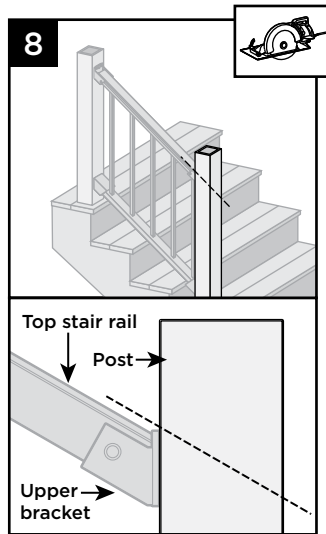


HOW TO INSTALL TREX® SIGNATURE™ COCKTAIL STAIR RAILING

TREX® SIGNATURE™/CONTINUED

Cutting Post and Post Sleeve and Attaching Deck Board to Top Rail

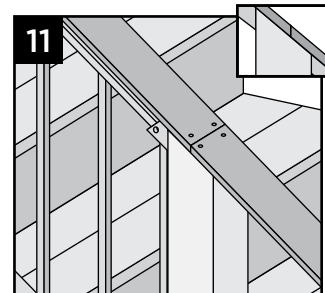
8. Cut post and post sleeves at proper angle so these are flush with the top of the top brackets and/or top rail cover. BE CAREFUL NOT to CUT brackets.



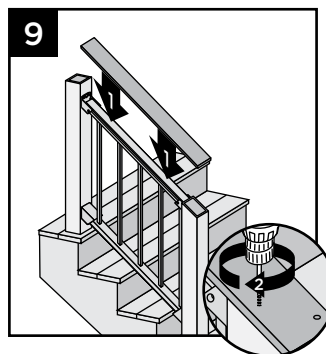
11. Use scarf cut for posts where two deck boards meet.

NOTES:

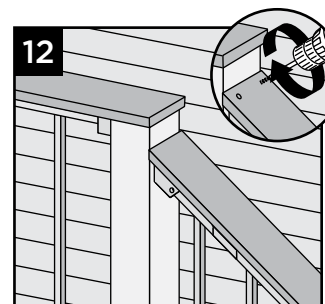
- » Leave 1/8" (3 mm) gap between deck boards.
- » Deck boards can overhang end of last post maximum 1/2" (13 mm).



9. Place deck boards over top rails. **DO NOT** use Enhance (scalloped profile) or Escapes deck boards for top rail. PLACE DECK BOARD ON TOP RAIL TO CHECK FOR PROPER FIT AND RAIL CLEARANCE AT BRACKET LOCATIONS. DECK BOARD MAY REQUIRE EITHER A NOTCH CUT ON THE UNDERSIDE OR SLIGHT PLANING ON THE UNDERSIDE TO ALLOW DECK BOARD TO CLEAR TOPS OF BRACKETS AND SIT FLUSH ON TOP OF POSTS AND RAILS. Attach boards on each post with Trex-recommended composite screws (quantity of 2 per each board end).



12. Where deck board terminates at top of post horizontal deck board, PREDRILL and toenail two approved composite deck screws as shown into post, being careful to avoid hitting stair bracket.

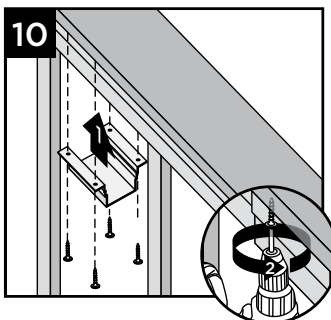


Attachment of Bottom Bracket Covers and Skirts

13. See instructions on page 110.

NOTE: Top Bracket Covers are not attached in this configuration.

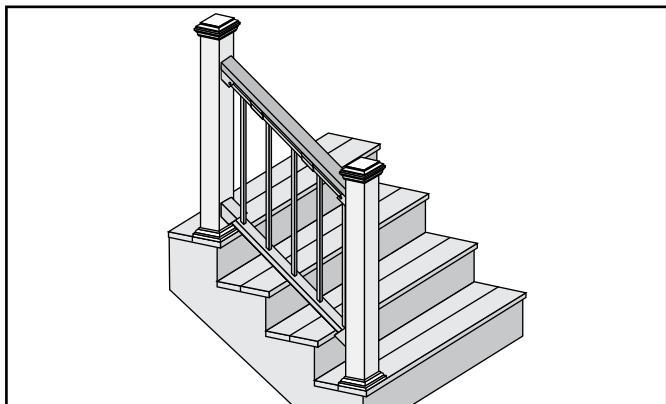
10. Secure boards to top rail using Trex® Signature™ Cocktail Bracket (sold separately). Ensure that there is a bracket at each end of the stair railing section, then space brackets approximately every 24" and attach with 4 screws provided.



NOTE: Pre-drilling before attachment is recommended.

HOW TO INSTALL TREX® SIGNATURE™ TRADITIONAL STAIR RAILING

TREX® SIGNATURE™



IMPORTANT NOTE:

» Only for use with pressure-treated 4 x 4 post (3.5" nominal square), Trex Post Mounts, or Joist Mount Posts, and 4" x 4" (102 mm x 102 mm) or 6" x 6" post sleeve. Trex® Signature™ Posts cannot be used with Trex® Signature™ Traditional railing.

Installing Standard Trex® Signature™ Stair Posts, or Pressure-treated Post

1. See instructions on page 106.

Installing Lower Stair Brackets

2. See instructions on page 107 for fixed stair brackets or page 111 for swivel stair brackets.

How to Measure Bottom Stair Railings

3. See instructions on page 107 for fixed stair brackets or page 111 for swivel stair brackets.

Cutting Bottom Stair Rail, Bottom Stair Rail Cover

4. See instructions on page 107 for fixed stair brackets or page 111 for swivel stair brackets.

Attachment of Bottom Stair Rail Cover and Bottom Stair Rail

5. See instructions on page 108 for fixed stair brackets or page 112 for swivel stair brackets.

Installing Upper Stair Brackets and Measuring Upper Rail

6. See instructions on pages 108 for fixed stair brackets or page 112 for swivel stair brackets.

Cutting Top Stair Rail, Rail Insert and Cover

7. See instructions on page 109 for fixed stair brackets or page 113 for swivel stair brackets.

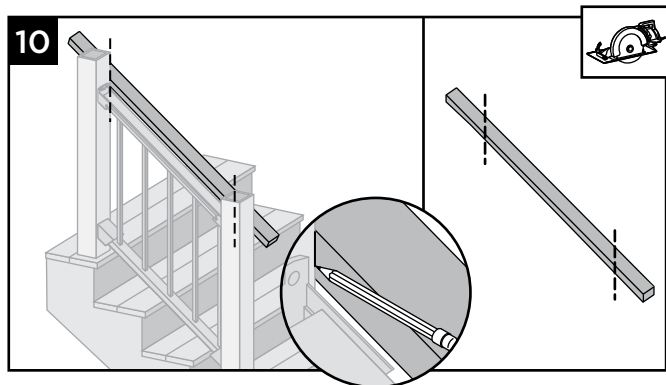
Installing Balusters into Bottom Stair Rail

8. See instructions on page 109 for fixed stair brackets or page 113 for swivel stair brackets.

Attaching Upper Stair Rails

9. See instructions on page 110 for fixed stair brackets or page 113 for swivel stair brackets.

Attaching 2"x 4" to Top Rail

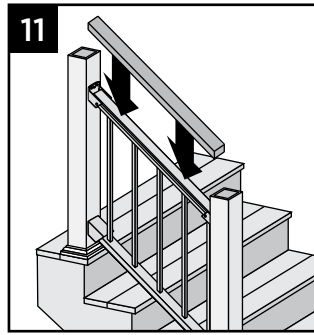


10. Place 2" x 4" (51 mm x 102 mm) beside top rail. Mark and cut (both ends need to be cut on an angle for proper fit).

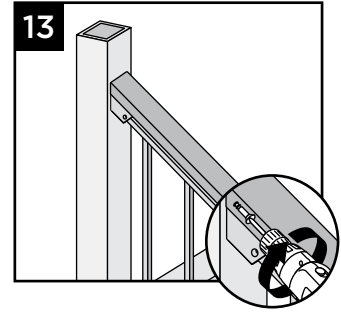
HOW TO INSTALL TREX® SIGNATURE™ TRADITIONAL STAIR RAILING

TREX® SIGNATURE™/CONTINUED

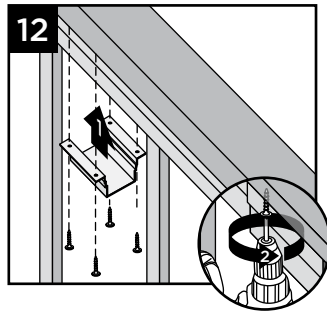
11. Place 2" x 4" (51 mm x 102 mm) on Trex® Signature™ top stair rail.



13. Pre-drill a pilot hole and toenail 2-1/2" (6.4 cm) screw at each end of 2" x 4" (5.1 cm x 10.2 cm) into post on back side of rail (side not facing decking).



12. Secure 2" x 4" (51 mm x 102 mm) to top rail using Trex® Signature™ Cocktail Bracket (sold separately). Ensure that there is a bracket at each end of the railing section, then space brackets approximately every 24" and attach with 4 screws provided.



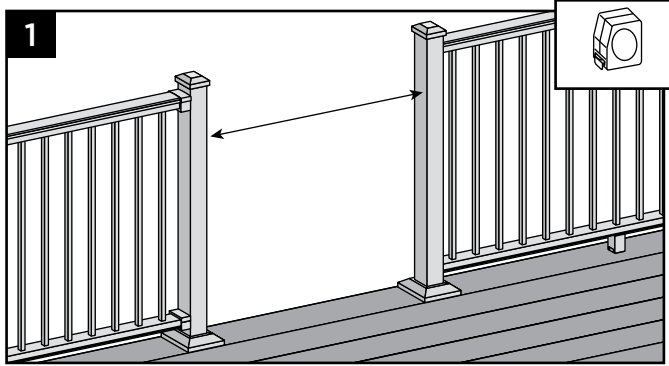
Attachment of Lower Stair Bracket Covers, Skirts, and Caps

14a. See instructions on page 110 for fixed stair brackets or page 118 for swivel stair brackets.

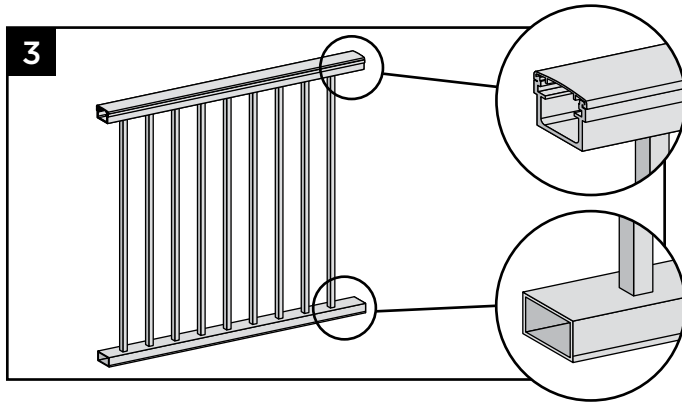
NOTE: Top Bracket Covers are not attached in this configuration.

NOTE: Pre-drilling before attachment is recommended.

HOW TO INSTALL ALUMINUM GATE

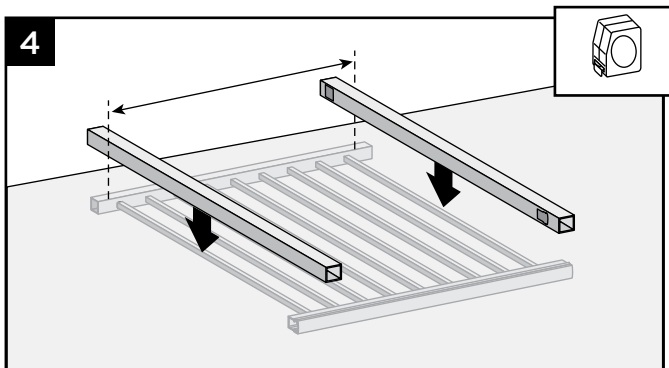


1. Measure opening between posts (gates can be customized to fit nearly any opening up to 48" [1219 mm] wide).
2. Subtract 1-7/8" (48 mm) from above measurement. This will allow for proper gapping and location of gate.

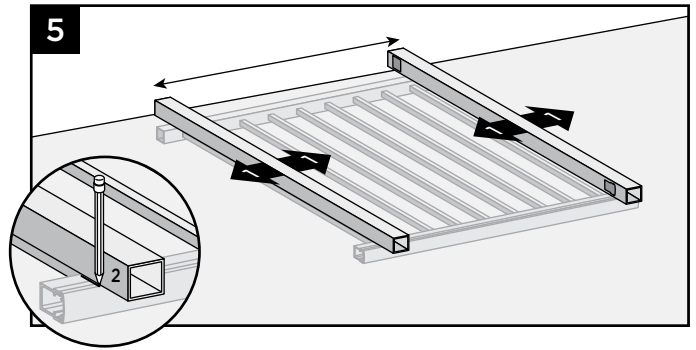


3. Identify top and bottom of panel.

NOTE: The posts only fit in one direction.

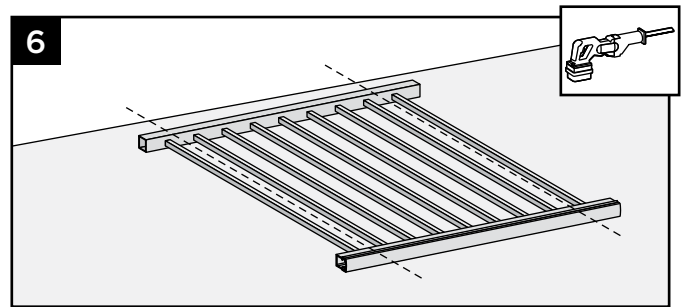


4. Lay panel on a flat non-marring surface. Place posts on top of panel. Place posts so that width measurement from Step 2 is to the outside of each post.

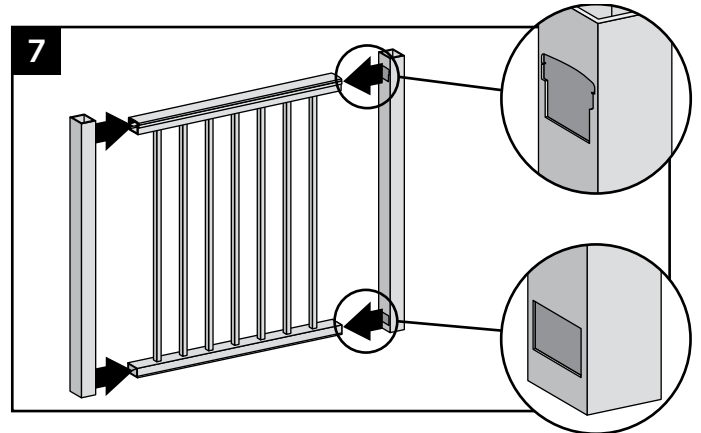


5. Adjust posts so that cut marks do not fall on a baluster. Make sure distance from first baluster to post is the same on both sides. Mark cut locations on panel.

NOTE: If widths do fall on a baluster, cut baluster flush at top and bottom prior to cutting panel.



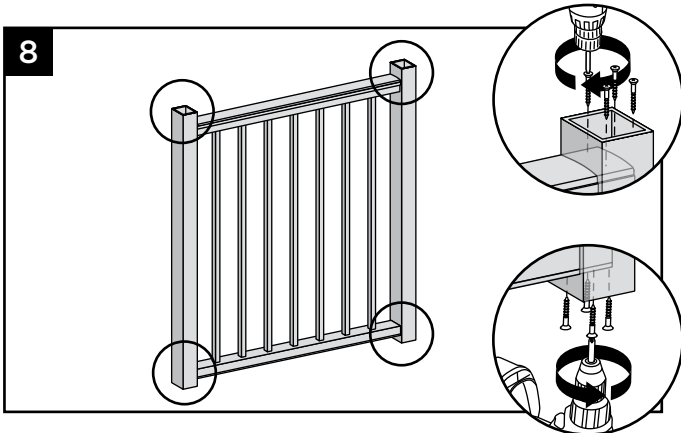
6. Cut panel using a reciprocating saw (equipped with a metal blade).



7. Insert posts into panel.

NOTE: Make sure top and bottom of panel orientation is correct.

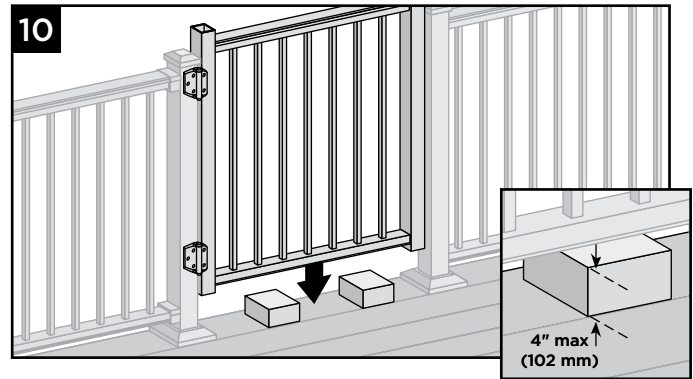
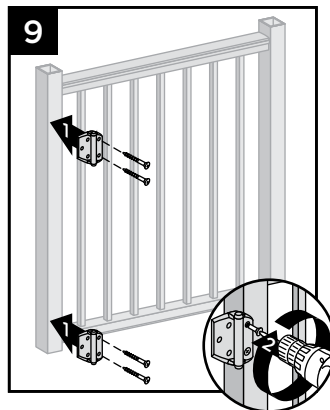
HOW TO INSTALL ALUMINUM GATE/CONTINUED



8. Secure posts to panel with four #8-18 short self-tapping screws (*provided*) in each location.

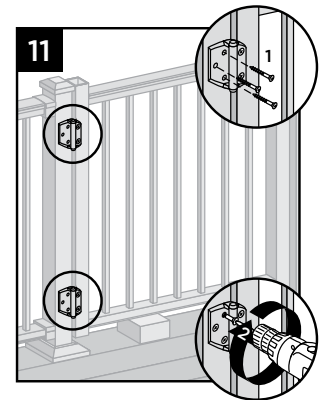
9. Attach shorter side of hinge to the gate.

NOTE: Refer to instructions included in hardware package. Be sure to use correct fasteners for aluminum. See chart below.



10. Place gate in opening on blocks. Sweep between bottom of gate and top of deck cannot exceed 4" (102 mm) per IRC/IBC code regulations. Ensure bottom gate posts will be high enough to clear skirts on bottom of deck posts.

11. Make sure posts are plumb and gate is level. Attach longer side of hinges to post using appropriate hardware for type of post installed. Install hinge cover.



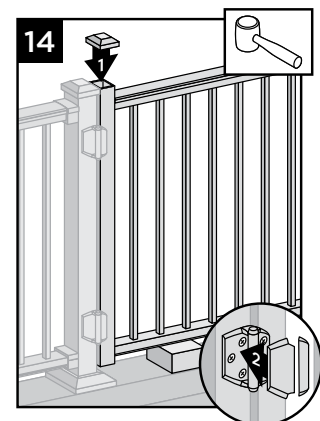
NOTES:



- » Both wood and aluminum screws are included in hardware kit. (Refer to chart under Step 9.)
- » If using Trex Post Mounts with Post Sleeves, pre-drilling is required using 1/8" (3 mm) drill bit, as you must go through both aluminum sleeve and internal post.

12. After determining location and height of hinge and hasp (If using PT post/post sleeve, measure location of latch body before attachment to post sleeve. If necessary the L bracket of the latch body can be removed in order to place the latch body in proper location for latch bolt to engage.), install per instructions included with hardware kit.

13. Ensure proper operation of gate. Hinge tension is adjustable (*check hardware kit instructions for more detail*).

14. After gate installation, place blocks under gate for support. Use a rubber mallet to install cap onto gate post. Repeat for other gate post cap. Snap all hinge covers into place.



MINIMUM FASTENER SIZE		
SCREWS		
Type	Length	No.
 Wood Screw	2-1/2" (64 mm)	#9
 Metal Screw	2" (51 mm)	#8-18

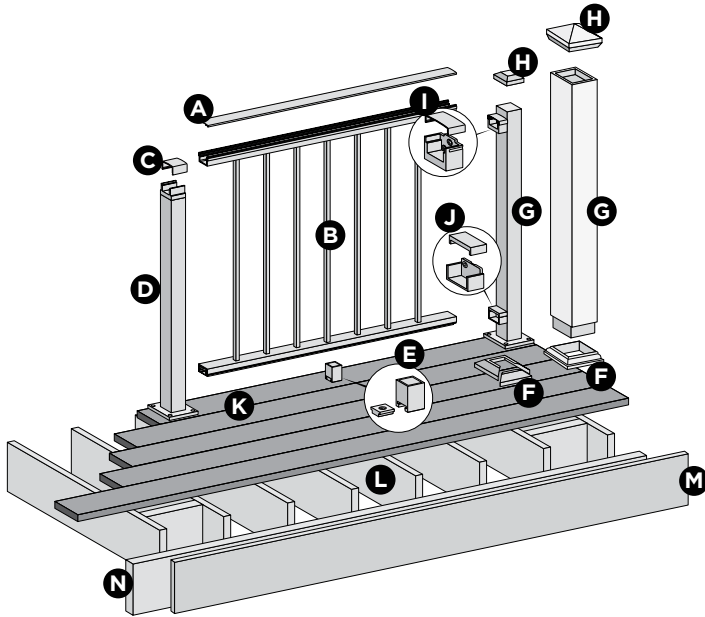
NOTE: Use of non-Trex hardware is not recommended and could result in serious injury or death.

TREX® SIGNATURE™ PANELS

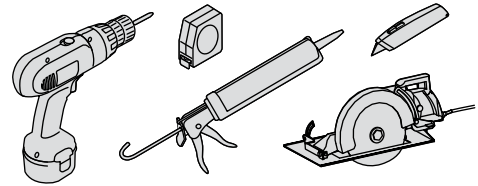
NOTES:

- » TREX® SIGNATURE™ RAILINGS ARE DESIGNED TO BE ATTACHED WITH POSTS INSTALLED AT A CLEAR SPAN OF 6' (1.83 M) OR 8' (2.44 M).
- » IF INSTALLING AT EXACT SPAN LENGTHS OF 6' (1.83 M) OR 8' (2.44 M), AND USING POST-TO-POST CONFIGURATION, THE BOTTOM RAIL WILL NOT NEED TO BE CUT, BUT THE TOP RAIL WILL NEED TO BE MEASURED AND CUT.
- » IF INSTALLING AT EXACT SPAN LENGTHS OF 6' (1.83 M) OR 8' (2.44 M), AND USING CROSSOVER POST CONFIGURATION (SPANS FROM ONE CROSSOVER POST TO ANOTHER CROSSOVER POST), BOTH THE BOTTOM RAIL AND TOP RAIL WILL NOT NEED TO BE CUT.
- » IN ADDITION, AT ALL FINAL END POST CONFIGURATIONS, TOP RAIL WILL NEED TO BE MEASURED AND CUT.
- » SEE INFORMATION WITHIN DETAILED INSTRUCTIONS FOR MORE INFORMATION.
- » SEE PAGE 59 FOR SKU NUMBERS.

PARTS



TOOLS NEEDED



NOTES:

- » Assembled Trex® Signature™ Panels DO NOT come with foot blocks. You must purchase foot blocks separately. SKU - BKALFTBLK (one per panel required on spans greater than 6', see note below***).
- » Assembled Trex® Signature™ Panels DO NOT come with brackets and screws. You must purchase the horizontal rail hardware separately. SKU - XXHZBTMBRKTPNL (one per panel). Older horizontal rail hardware SKU BKFHBKTAL will also work when installing panel rails. See detailed instructions.

- A. Trex® Signature™ upper rail cover*
 - 6' (actual length 73-1/2" [1867 mm])
 - 8' (actual length 97-1/2" [2477 mm])
- B. Trex® Signature™ Panel (includes top and bottom railings and square balusters)
- C. Crossover bracket cover (supplied with crossover post)
- D. Trex® Signature™ crossover post**
 - 36" (actual length 34-1/2" [876 mm])
 - 42" (actual length 40-1/2" [1029 mm])
- E. Trex® Signature™ foot block***
- F. Trex® Signature™ post skirt or post sleeve skirt**
- G. Trex® Signature™ post**
 - 2-1/2"
 - 36" (actual length 37" [940 mm])
 - 42" (actual length 43" [1092 mm])
 - or Trex 4x4 post sleeve**
 - 36" (actual length 39" [991 mm])
 - 42" (actual length 45" [1143 mm])
- H. Trex® Signature™ post cap or post sleeve cap**

- I. Trex® Signature™ upper rail bracket and cover
- J. Trex® Signature™ lower rail tabless bracket and cover
- K. Trex decking
- L. Code-approved wood joist 2" x 8" (51 mm x 203 mm) or larger
- M. Trex Fascia
- N. Code-approved wood rim joist 2" x 8" (51 mm x 203 mm) or larger

* Covers are slightly longer to accommodate crossover post applications.

** Item not included in Trex® Signature™ Panel kits. Both 4" x 4" (102 mm x 102 mm) and 6" x 6" (152 mm x 152 mm) post sleeves are designed to fit over 4" x 4" pressure-treated post.

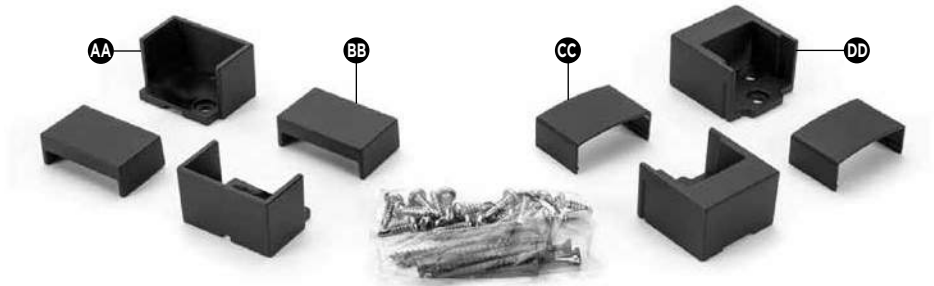
*** Required ONLY for all clear span applications over 6' (1.83 m) when fixed baluster is centered or unsupported spans greater than 5' (1.52 m). For example, if an 8' (2.44 m) panel is cut into a 5-1/2' (1.68 m) section, it would require a foot block due to the off-center placement of the fixed baluster.

NOTE: If installing 42" (1067 mm) railing, and using pressure-treated posts with Trex post sleeves, ensure that a longer pressure-treated post is used along with longer post sleeve, both cut to a height of 46" (1168 mm) from decking surface.

BRACKET HARDWARE - HORIZONTAL APPLICATIONS (INCLUDING HORIZONTAL SWIVEL BRACKETS) TREX® SIGNATURE™

HORIZONTAL RAILING HARDWARE

- AA. Lower rail bracket
- BB. Lower rail bracket cover
- CC. Upper rail bracket cover
- DD. Upper rail bracket



FOOT BLOCK COMPONENTS

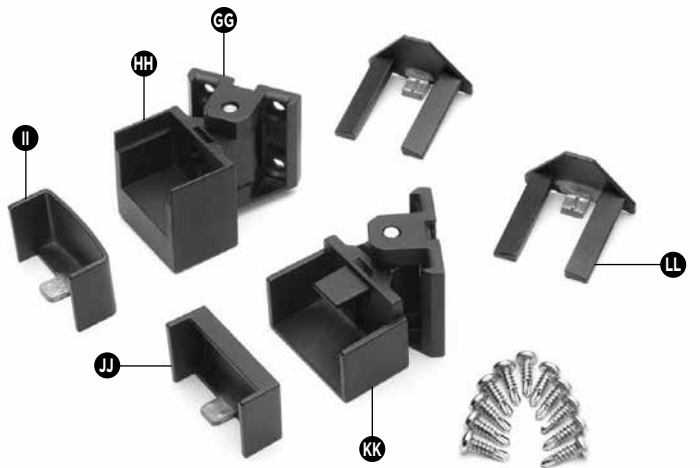
- EE. Foot block base
- FF. Foot block support



HORIZONTAL SWIVEL HARDWARE

- GG. Swivel base
- HH. Horizontal swivel bracket top rail
- II. Horizontal swivel bracket top rail cover
- JJ. Horizontal swivel bracket bottom rail cover
- KK. Horizontal swivel bracket bottom rail
- LL. Swivel base cover

NOTE: For measurements and detailed horizontal swivel hardware installation instructions, please see the complete Trex® Signature™ installation section.



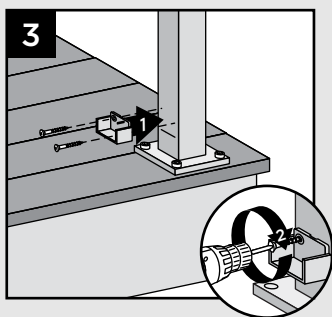
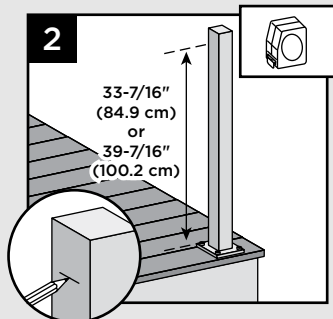
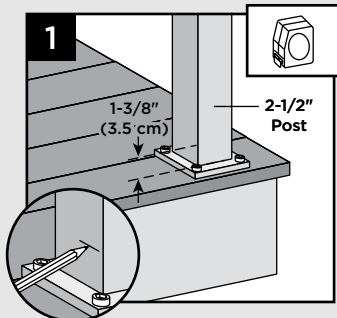
HOW TO INSTALL PANELS TREX® SIGNATURE™ STANDARD

NOTE: FOR EASE OF INSTALLATION, IT IS RECOMMENDED THAT YOU USE THE TREX® SIGNATURE™ RAIL TEMPLATES TO ATTACH BRACKETS (SOLD SEPARATELY).

Attach Brackets Using Trex® Signature™ Posts

TIP: Use a clamp to help hold brackets in place while fastening with screws.

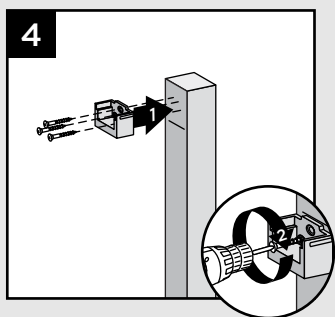
1. Measure 1-3/8" (3.5 cm) from top of post base plate or 1-7/8" (4.8 cm) from decking surface. Mark with light line.



2. Measure up from post base plate 33-7/16" (84.9 cm) for 36" (92 cm) rail height or 39-7/16" (100.2 cm) for 42" (107 cm) rail height. Mark with light line.

NOTE: If measuring from decking surface, measure up 33-15/16" (86.2 cm) for 36" (92 cm) rail height or 39-15/16" (101.4 cm) for 42" (107 cm) rail height.

3. Center lower bracket on post **above** the marked line and attach using two self-tapping screws (provided).
4. Center upper bracket on post **above** marked line and attach using (3) self-tapping screws (provided).

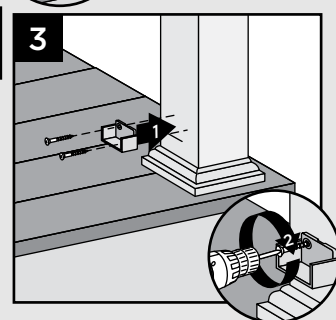
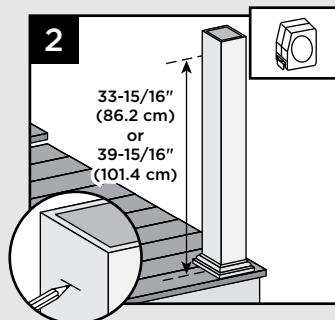
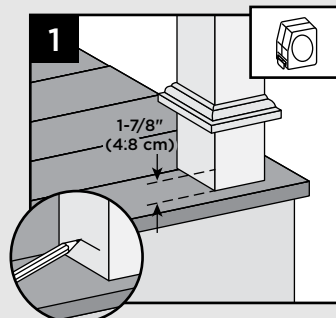


NOTE: Upper bracket is not required on crossover post configuration.

Attach Brackets Using Pressure-Treated Posts and Post Sleeves

TIP: Use a clamp to help hold brackets in place while fastening with screws.

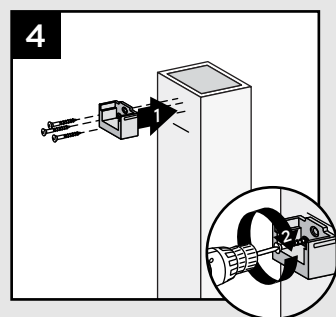
1. Measure 1-7/8" (4.8 cm) up from deck surface to bottom of bracket. Slide skirt up to allow for proper measurement. Mark with light line.



2. Measure up from decking surface 33-15/16" (86.2 cm) for 36" (92 cm) rail height or 39-15/16" (101.4 cm) for 42" (107 cm) rail height. Mark with light line.

NOTE: Push skirt back down onto surface of decking **BEFORE ATTACHING BRACKETS.**

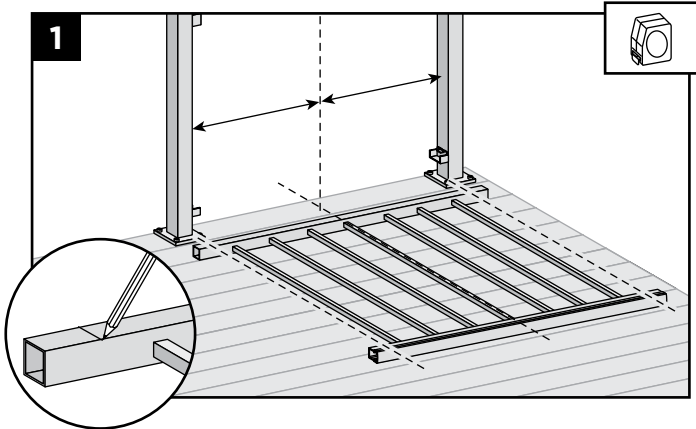
3. Center lower bracket on post **above** the marked line and attach using two 2" (51 mm) wood screws (provided).
4. Center upper bracket on post **above** marked line and attach using three 2" (51 cm) wood screws (provided).



HOW TO INSTALL PANELS/CONTINUED

TREX® SIGNATURE™

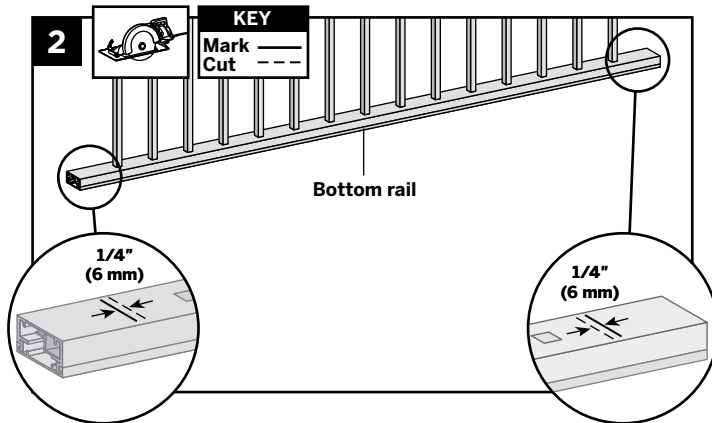
How to Measure and Cut Bottom and Top Railings of Trex® Signature™ Panel (When REQUIRED)



1. Position panel between posts and align with bottom bracket. Align center baluster with middle of span between posts (this will allow for equal spacing between end balusters and each post). Mark bottom and top rail at each end.

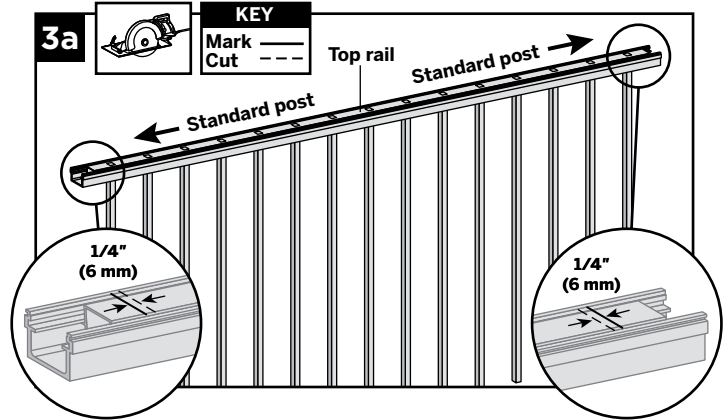
NOTE: If the end balusters fall too close to the brackets, the center point can be adjusted one baluster to the left or right to allow more room.

Cutting Bottom Rail



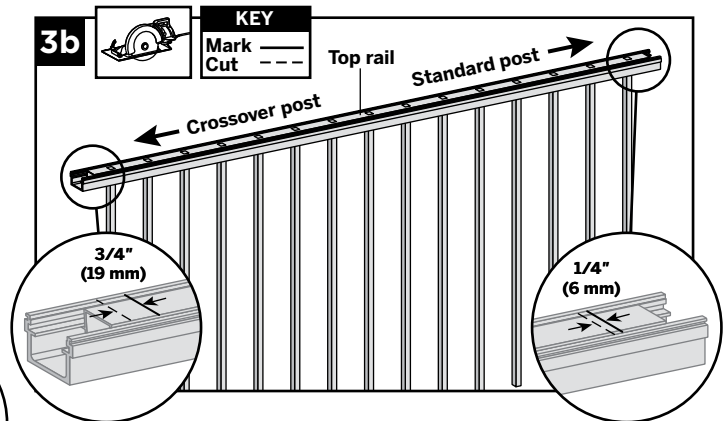
2. Using a saw equipped with a non-ferrous metal blade, cut each end of bottom rail and bottom rail insert 1/4" (6 mm) shorter than mark on each end to allow for fit into bottom rail brackets.

Cutting Top Rail Option 1: For Post-to-Post Configuration



- 3a. Using a saw equipped with a non-ferrous metal blade, cut each end of top rail 1/4" (6 mm) shorter than mark to allow for fit into top rail brackets.

Cutting Top Rail Option 2: For Post-to-Crossover Post Configuration

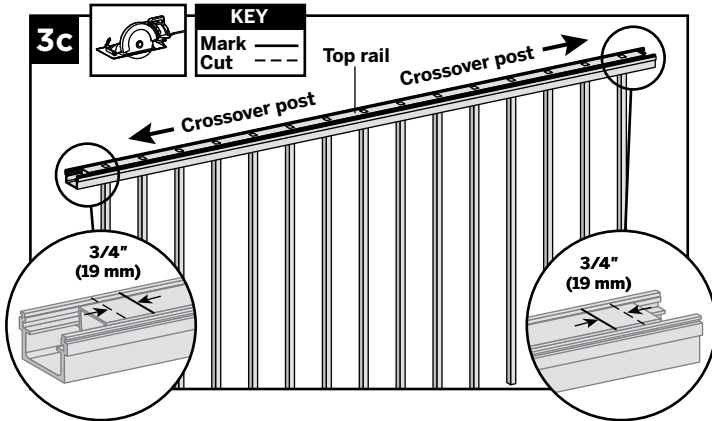


- 3b. Top rail must be cut differently on each side of the rail. Railing side that attaches to standard post should be cut 1/4" (6 mm) shorter than the mark to allow for fit into top rail bracket. Railing side that attaches to the crossover post should be cut 3/4" (19 mm) **LONGER** than the mark to allow for fit into the crossover post bracket.

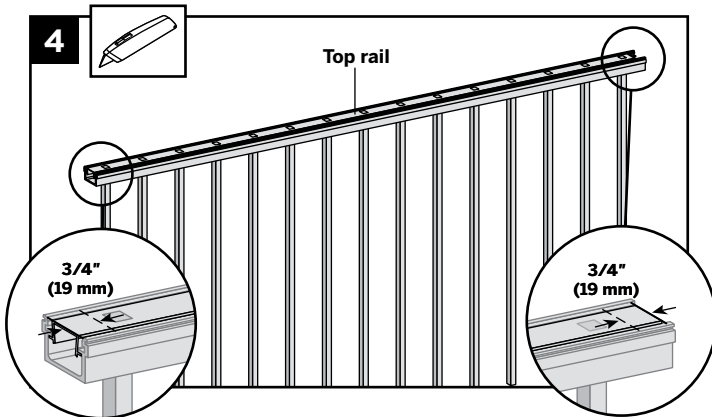
HOW TO INSTALL PANELS/CONTINUED

TREX® SIGNATURE™

Cutting Top Rail
Option 3:
For Crossover Post-to-Crossover Post Configuration

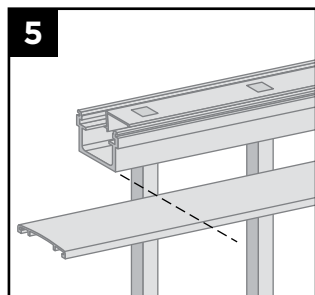


3c. Cut each end of top rail 3/4" (19 mm) **LONGER** than the mark to allow for fit into the crossover post bracket on each side.

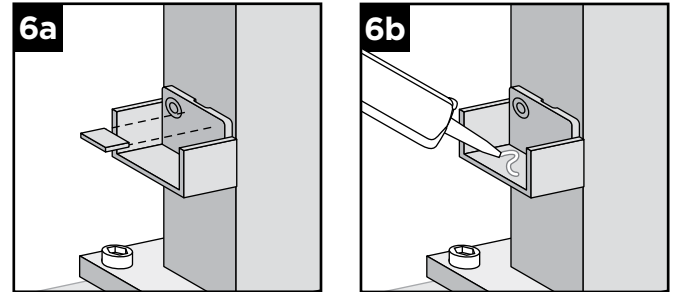


4. Using razor knife or other cutting tool, cut rail insert 3/4" (19 mm) **FROM EACH SIDE**.

5. Mark and cut top rail cover same length as top rail for all top rail configurations.



If Installing Trex® Signature™ Panel Using Lower Bracket with Tab

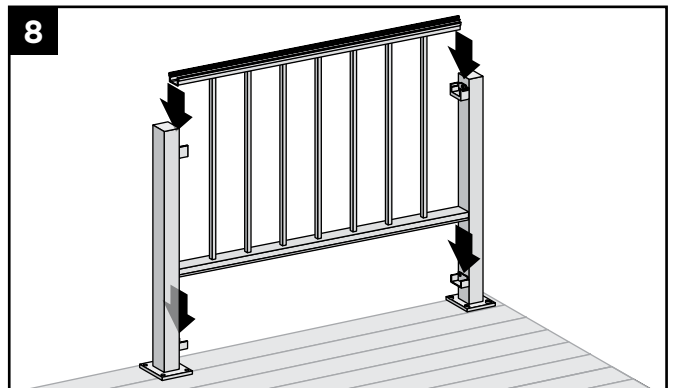
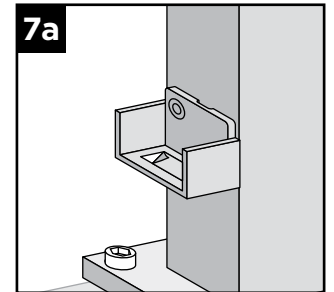


6a. Break or cut the bottom tab off the bottom brackets.

6b. Put a dab of silicone in the basket of the bottom bracket to prevent rattle.

If Installing Trex® Signature™ Panel Using Lower Rail Tabless Bracket

7. Peel backings from adhesive strip provided and place inside the bottom bracket.

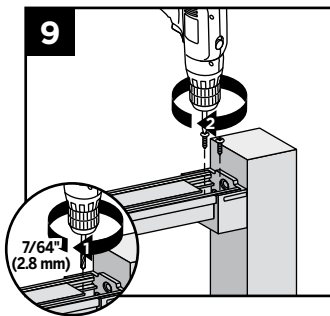


8. Place panel in bottom and top brackets.

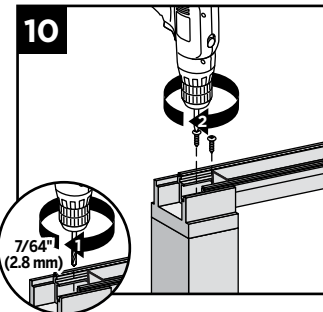


HOW TO INSTALL PANELS/*CONTINUED* TREX® SIGNATURE™

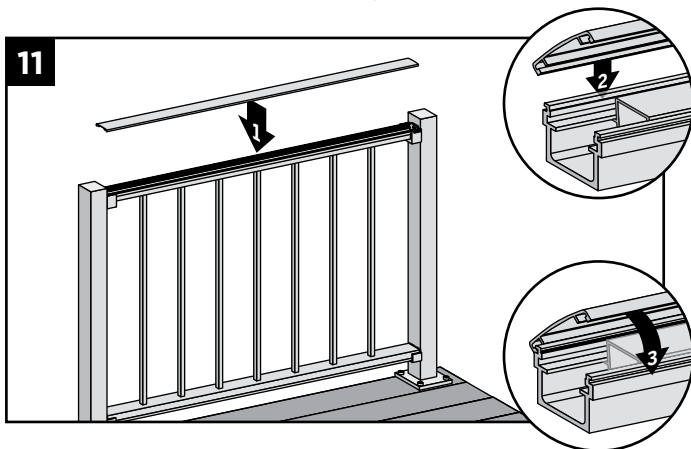
9. For post-to-post configuration, fasten upper rail to each bracket by installing screws diagonally through upper rail into bracket using two self-tapping screws each side (*provided with bracket kit*).



10. For crossover post configuration, fasten upper rail to crossover post by installing screws diagonally through upper rail into post using two self-tapping screws each side (*provided with bracket kit*).



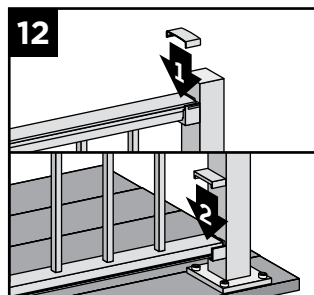
NOTE: Pre-drilling is recommended (7/64" [2.8 mm] drill bit) for attachment of railing to bracket.



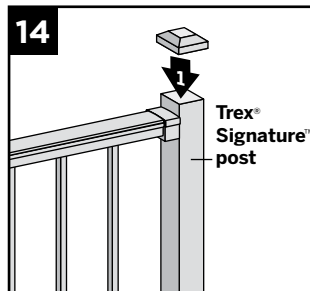
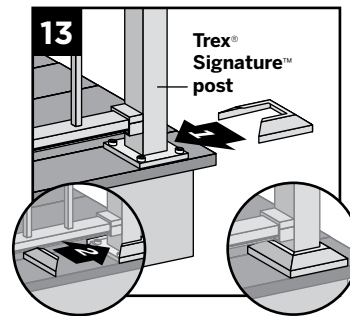
11. Attach upper rail cover to upper rail by aligning cover on one side of rail. Then, starting from one end of rail, snap cover onto opposing slot working down length of rail. **GENTLE** tapping with a **rubber mallet** may facilitate fastening.

Attachment of Bracket Covers, Skirts, and Caps

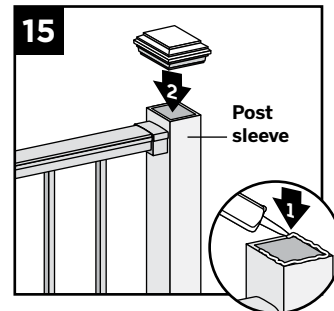
12. Attach corresponding bracket covers over opening in upper and bottom rails.



13. Attach provided post skirt to bottom of posts when using Trex® Signature™ posts.

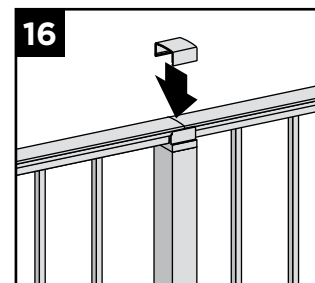


14. Attach post caps to Trex® Signature™ posts (use of **rubber mallet** may be required for secure attachment).



15. Attach post caps to post sleeves using external grade PVC construction adhesive.

16. For crossover post configuration, attach crossover post cap to crossover post.

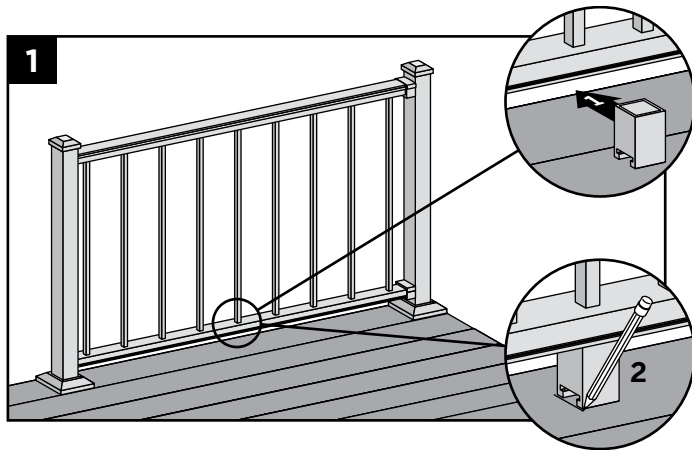


HOW TO INSTALL FOOT BLOCKS – PANELS

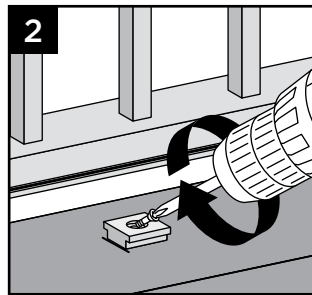
TREX® SIGNATURE™

Attachment of Foot Block (Required **ONLY** for All Clear Span Applications Over 6' [1.83 m])

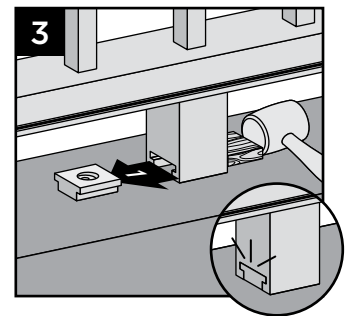
NOTE: Pre-drilling is recommended (1/8" [33 mm] drill bit) for attachment of base.



1. To ensure correct location, place foot block under center of bottom rail. Mark to provide placement location of base.
2. Place base (smaller side facing down) on decking surface. Attach base of foot block using one screw at an angle through base and into decking.



3. After attaching, use a rubber mallet along with scrap piece of wood to tap foot block until it locks into place.



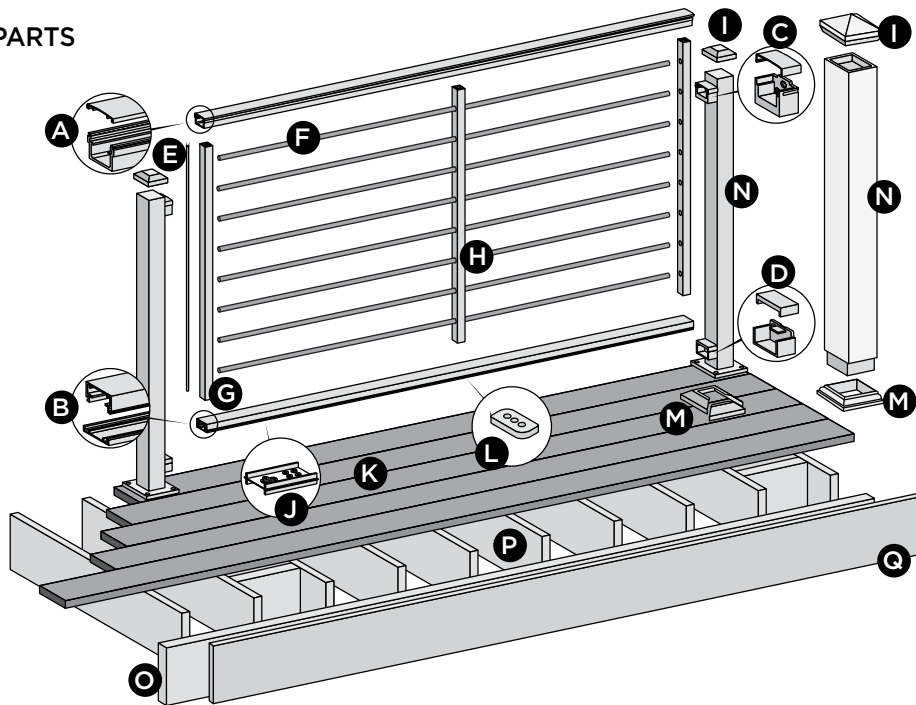
HOW TO INSTALL HORIZONTAL ROD RAILING

TREX® SIGNATURE™ STANDARD

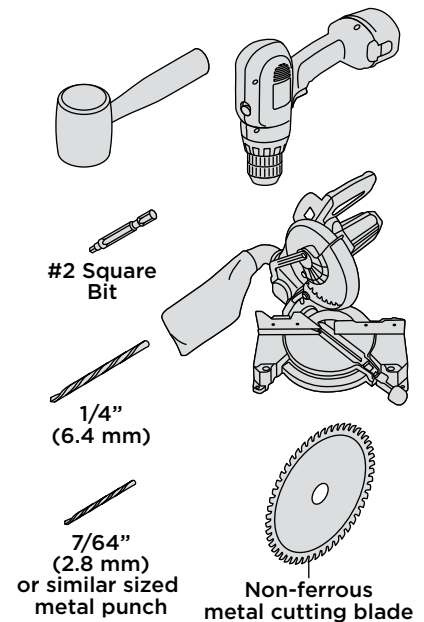
NOTES:

- » Adjust drill power to lowest setting that will drive screw. **DO NOT OVER TORQUE 316 STAINLESS STEEL STAINLESS FASTENERS.**
- » **NEVER** use impact tools on 316 Stainless Steel Fasteners.
- » Be careful inserting rods through intermediate vertical supports. Lay pieces on a flat, solid surface and insert as straight as possible to prevent scratching.
- » When marking lines on bottom rail, do not make a mark wider than 1" or it will be visible after installation.
- » **TOP AND BOTTOM RAILS ARE DIFFERENT LENGTHS, TO ACCOMMODATE THE INSTALLATION OF CROSSOVER POST APPLICATIONS.**

PARTS



TOOLS NEEDED



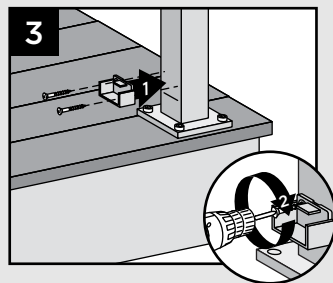
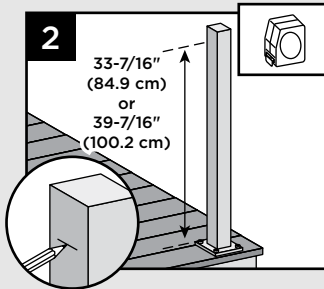
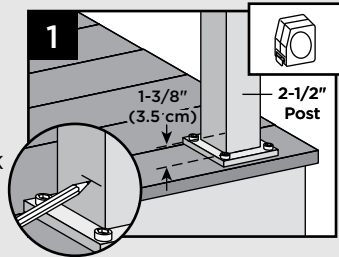
- A. Trex® Signature™ top rail and crowned cover
 - 6' (actual length 73-1/2" [1867 mm])
 - 8' (actual length 97-1/2" [2477 mm])
- B. Trex® Signature™ bottom rail and flat cover
 - 6' Rail (actual length 71-1/2" [181.6 cm])
 - 6' Cover (actual length 70" [177.8 cm])
 - 8' Rail (actual length 95-1/2" [242.6 cm])
 - 8' Cover (actual length 94" [238.8 cm])
- C. Trex® Signature™ upper rail bracket and cover
- D. Trex® Signature™ lower rail bracket and cover
- E. Anti-rattle strip
- F. Rod
- G. End vertical support
- H. Intermediate vertical support*
- I. Trex® Signature™ post cap or post sleeve cap**
- J. Template
- K. Trex decking
- L. HZ spacer
- M. Trex® Signature™ post skirt or post sleeve skirt**
- N. Trex® Signature™ post*
 - 36" (actual length 37" [94.0 cm])
 - 42" (actual length 43" [109.2 cm])
 - or Trex 4" x 4" post sleeve*
 - 36" (actual length 39" [99.1 cm])
 - 42" (actual length 45" [114.3 cm])
- O. Code-approved wood rim joist 2" x 8" (5.1 cm x 20.3 cm) or larger
- P. Code-approved wood joist 2" x 8" (5.1 cm x 20.3 cm) or larger
- Q. Trex Fascia
 - * 1 for 6' span/2 for 8' span
 - ** Item not included in Trex® Signature™ Railing kits. Both 4" x 4" (10.2 cm x 10.2 cm) and 6" x 6" (15.2 cm x 15.2 cm) post sleeves are designed to fit over 4" x 4" pressure-treated post.
 - *** For 8' Rail Sections only - RODRAILSTIFFENER (included with kit), not shown above
 - ****Foot block (not shown above) required for all spans greater than 6'

HOW TO INSTALL HORIZONTAL ROD RAILING BRACKETS TREX® SIGNATURE™ STANDARD

Attach Brackets Using Trex® Signature™ Posts

TIP: Use a clamp to help hold brackets in place while fastening with screws.

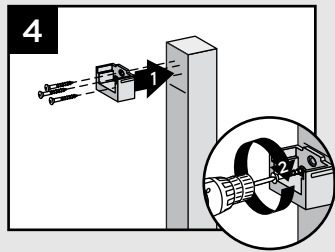
1. Measure 1-3/8" (3.5 cm) from top of post base plate or 1-7/8" (4.8 cm) from decking surface. Mark with light line.



2. Measure up from post base plate 33-7/16" (84.9 cm) for 36" (92 cm) rail height or 39-7/16" (100.2 cm) for 42" (107 cm) rail height. Mark with light line.

NOTE: If measuring from decking surface, measure up 33-15/16" (86.2 cm) for 36" (92 cm) rail height or 39-15/16" (101.4 cm) for 42" (107 cm) rail height.

3. Center lower bracket on post **above** the marked line and attach using two self-tapping screws (provided).
4. Center upper bracket on post **above** marked line and attach using (3) self-tapping screws (provided).

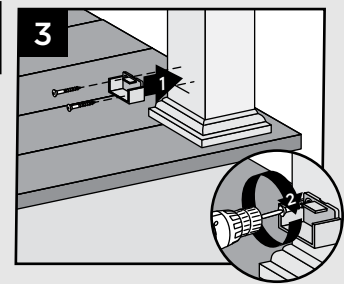
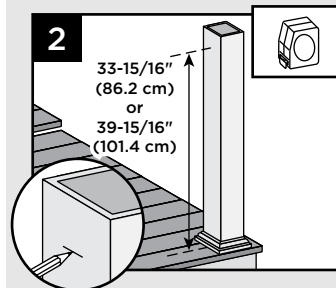
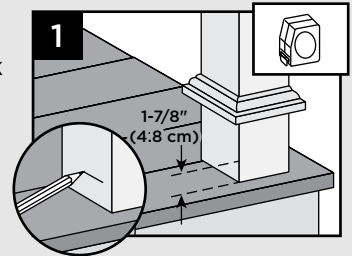


NOTE: Upper bracket is not required on crossover post configuration.

Attach Brackets Using Pressure-Treated Posts and Post Sleeves

TIP: Use a clamp to help hold brackets in place while fastening with screws.

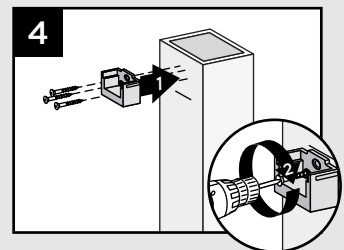
1. Measure 1-7/8" (4.8 cm) up from deck surface to bottom of bracket. Slide skirt up to allow for proper measurement. Mark with light line.



2. Measure up from decking surface 33-15/16" (86.2 cm) for 36" (92 cm) rail height or 39-15/16" (101.4 cm) for 42" (107 cm) rail height. Mark with light line.

NOTE: Push skirt back down onto surface of decking **BEFORE ATTACHING BRACKETS.**

3. Center lower bracket on post **above** the marked line and attach using two 2" (51 mm) wood screws (provided).
4. Center upper bracket on post **above** marked line and attach using three 2" (51 cm) wood screws (provided).



HOW TO INSTALL HORIZONTAL ROD RAILING/ TREX® SIGNATURE™ STANDARD

1. Prepare a solid work surface area (plywood, deck surface, etc.).

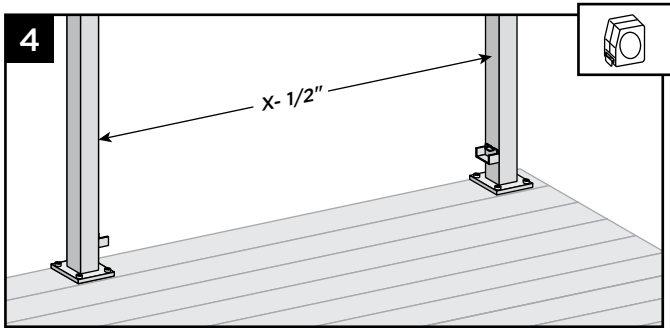
How to Measure Bottom and Top Railings (When Required)

2. For Full Span Post to Post Applications - only top rail will need to be cut.

3. For Full Span Crossover to Crossover post Applications - no rails have to be cut, HOWEVER the location of the HZ Template on the top rail will need to be adjusted in 3/4" on each side of top rail to allow for proper placement of vertical supports.

HOW TO INSTALL HORIZONTAL ROD RAILING/CONTINUED

TREX® SIGNATURE™ STANDARD

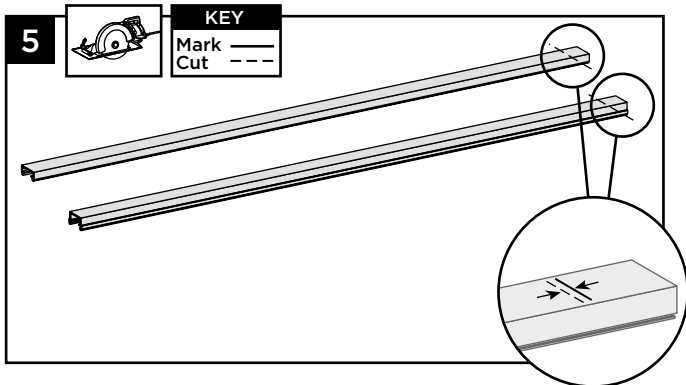


4. Measure distance between posts (X), and subtract 1/2" for bracket clearance.

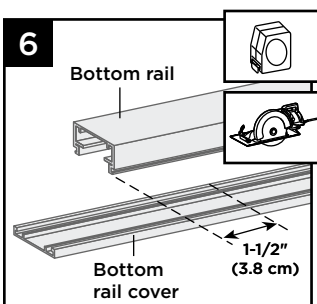
If installing crossover post configurations adjust top rail length: $X + 3/4"$ if using one crossover post, or $X + 1-1/2"$ if using two crossover posts.

If using swivel brackets, measure distance between brackets and cut railings to this distance.

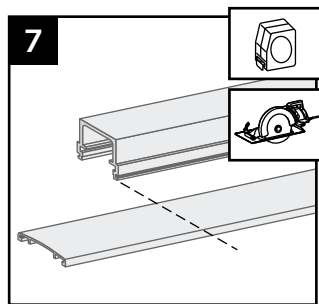
Cutting Railings and Covers



5. Cut both bottom and top rail to length as determined above.

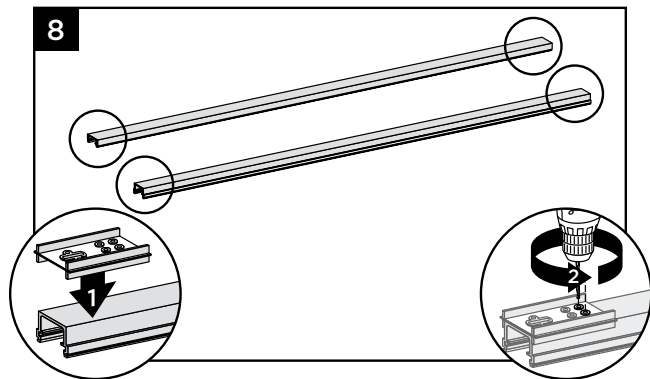


6. Mark and cut bottom rail cover 1-1/2" (3.8 cm) shorter than bottom rail.



7. Mark and cut top rail cover same length as top rail for all top rail configurations.

Locating Vertical Holes on Bottom and Top Rails

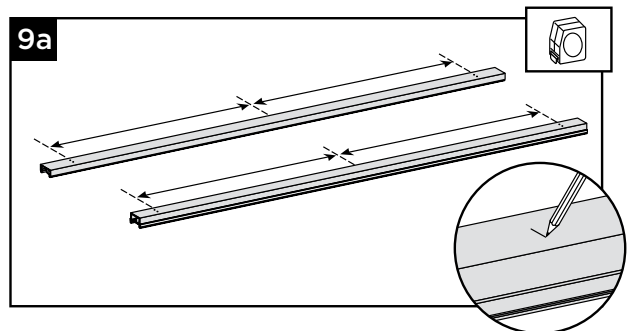


8. Place HZ template at end of top and bottom rails. Pre-drill pilot holes (using a 7/64" bit or small punch) at locations.

NOTES:

- » Template is labeled for the type of bracket used.
- » Pilot holes will be drilled out larger in a later step.
- » For Compound Swivel Brackets, set the rail in the bracket and mark 3.75" from the post.

6' Rail Spans or Shorter



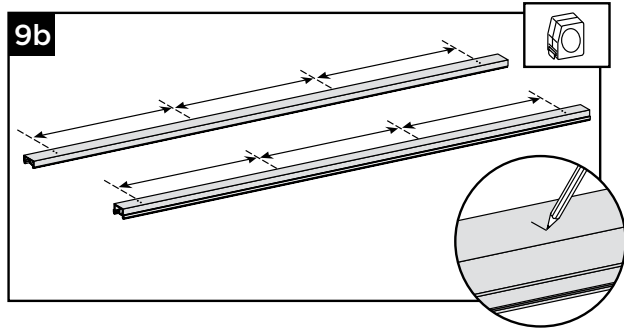
9a. Measure the distance between the vertical end holes on **both top and bottom rails**. Mark the center.

IMPORTANT NOTE: DO NOT mark the line across the entire width of the bottom rail, as it will be visible after install. Maximum recommended line width is 1".

HOW TO INSTALL HORIZONTAL ROD RAILING/CONTINUED

TREX® SIGNATURE™ STANDARD

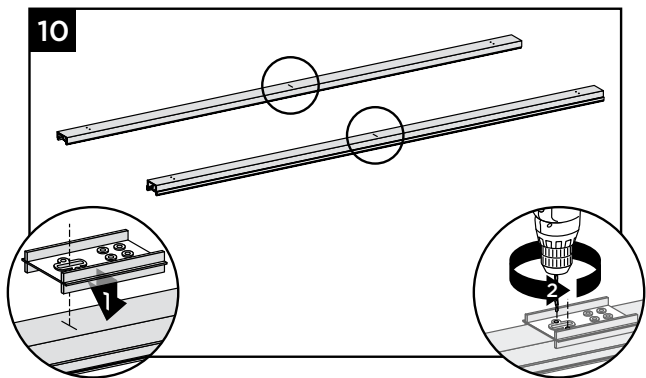
Over 6' Rail Spans



9b. Measure the distance between the vertical end holes on **both top and bottom rails**. Divide the distance into thirds and make two marks on top and bottom rails.

NOTE: Maximum unsupported rod span is 32.25".

Locating and Drilling Midspan Holes

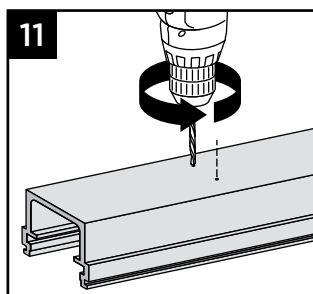


10. Using the slot on the HZ template, locate marked line and drill two 7/64" pilot holes (or mark with a punch).

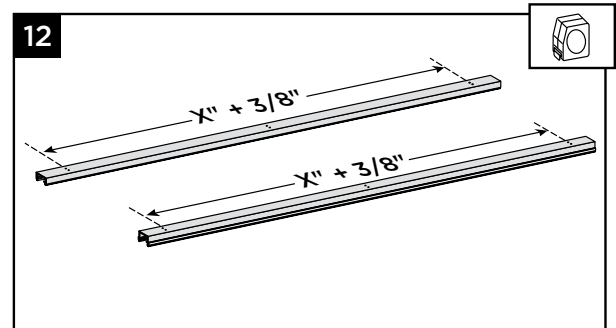
NOTE: Pilot holes will be drilled out larger in next step.

11. Using pilot holes (or marks), drill 1/4" holes for all vertical supports in both top and bottom rails.

NOTE: Clean any burrs from edges of holes to ensure good fit on both sides.

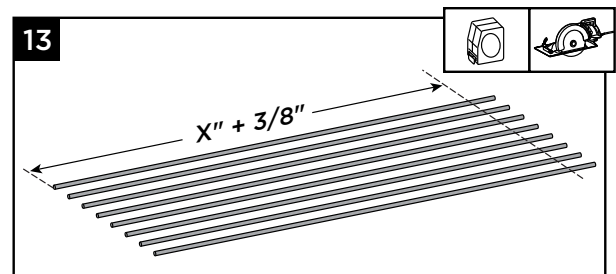


Cutting Rods to Length (When Required)



12. Measure the distance between the end (outer) holes (X") on top or bottom rail and add 3/8" to this measurement.

NOTE: If installed at exact spans, rods do not have to be cut.

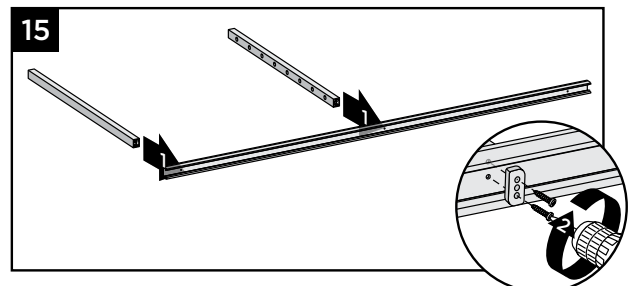
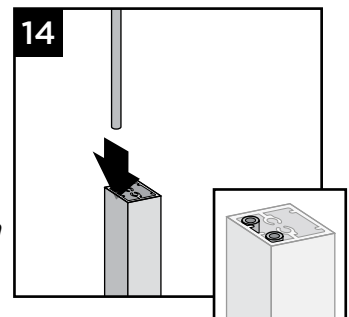


13. Cut rods to the length measured in previous step.

Vertical and Rod Assembly

14. Insert anti-rattle strips into the vertical supports.

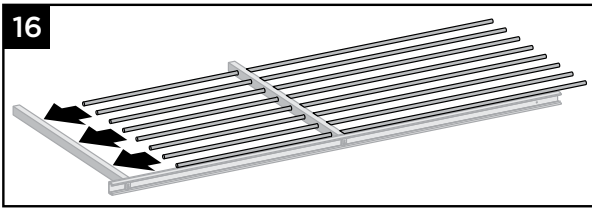
NOTE: There are two anti-rattle strips for each support which can only be inserted in one side.



15. Attach **one** end vertical and **all** intermediate verticals to bottom rail using HZ spacer and screws provided.

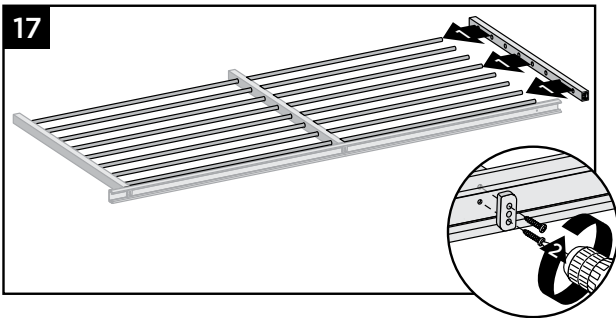
HOW TO INSTALL HORIZONTAL ROD RAILING/CONTINUED

TREX® SIGNATURE™ STANDARD



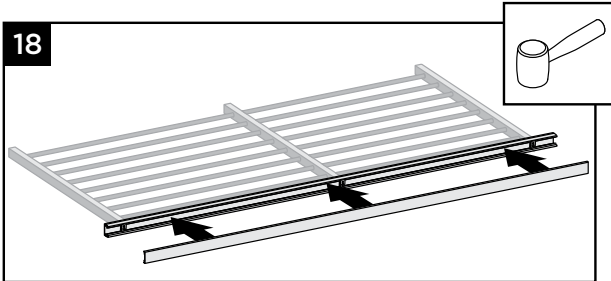
16. Slide all rods through intermediate supports and into end vertical support.

NOTE: When inserting rods through intermediate supports, keep rods straight to avoid scratching.

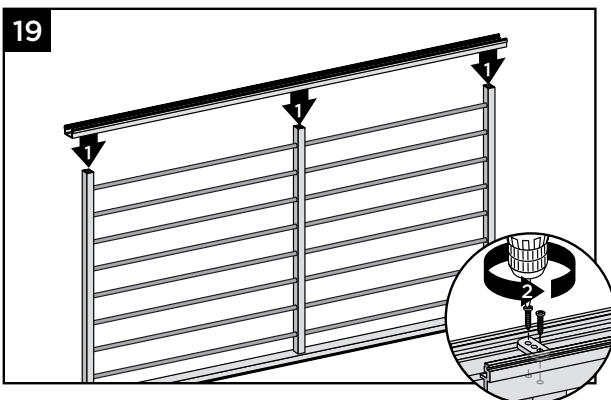


17. Slide end vertical onto rods and attach to bottom rail using HZ spacer and screws provided.

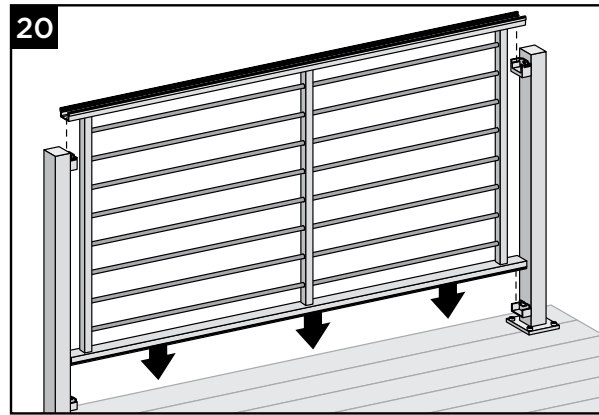
Installing Top and Bottom Rails



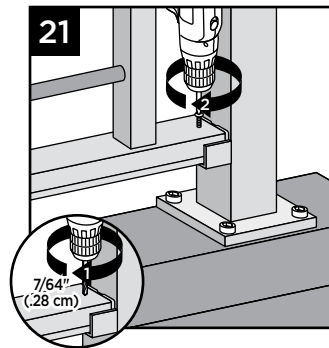
18. Using a mallet, install bottom rail cover onto bottom rail.



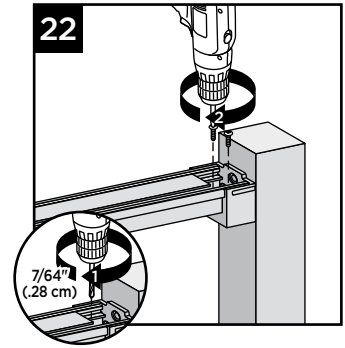
19. Install top rail to all vertical and end supports using HZ spacer and screws provided.



20. Drop assembled rod rail panel into brackets.



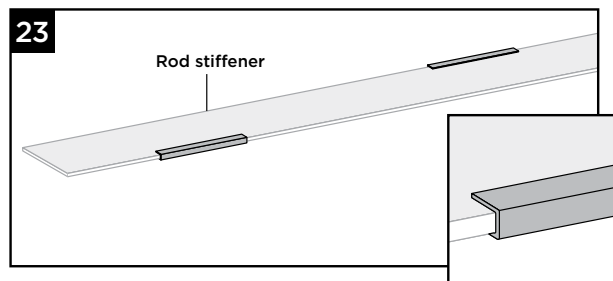
21. Attach bottom rail to bottom brackets by using one self-tapping screw (*provided*) for each bracket.



22. Attach top rail to top brackets by using two self-tapping screws (*provided*) for each bracket.

NOTE: Pre-drilling is required (7/64" [0.28 cm] drill bit) for attachment of railing to bracket.

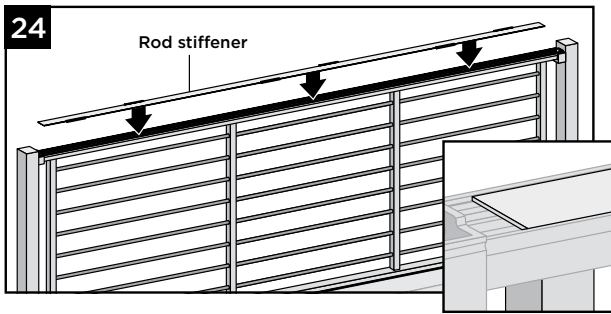
Inserting Rod Rail Stiffener - For Rail Sections over 6'



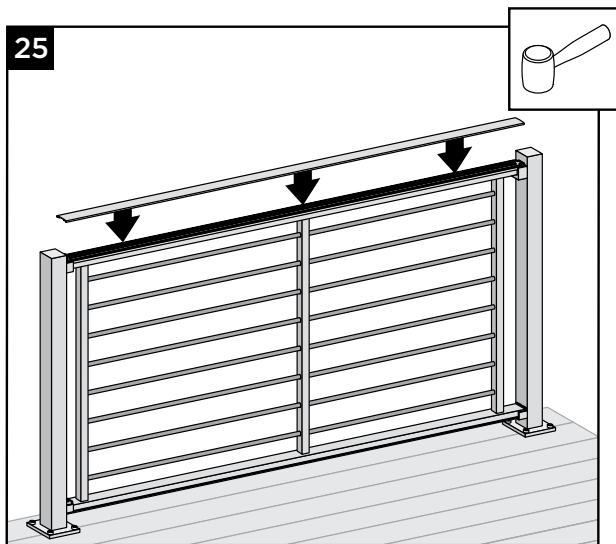
23. Attach tape (qty 6 provided) to alternating sides of the rod stiffener as shown.

HOW TO INSTALL HORIZONTAL ROD RAILING/CONTINUED

TREX® SIGNATURE™ STANDARD

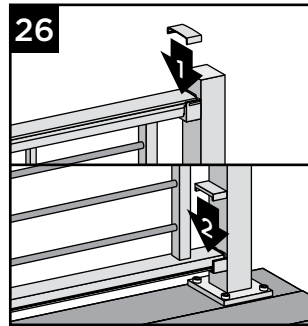


24. Place rod stiffener inside rail channel.

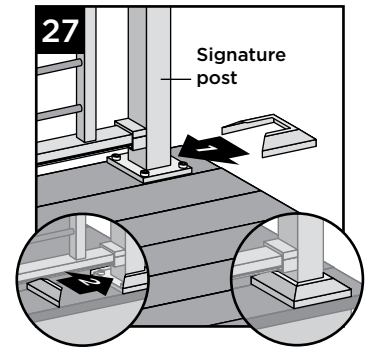


25. Using a mallet, install top rail cover.

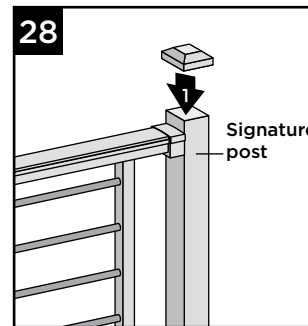
Attachment of Bracket Covers, Skirts, and Caps



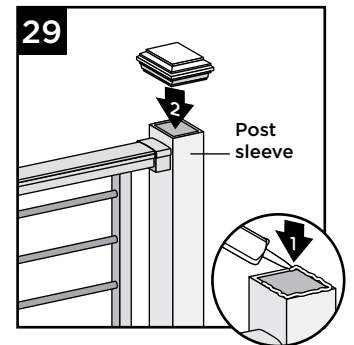
26. Attach corresponding bracket covers over opening in top and bottom rails.



27. Attach provided post skirt to bottom of posts when using Trex® Signature™ posts.



28. Attach post caps to Trex® Signature™ posts. (Use of **rubber mallet** may be required for secure attachment.)

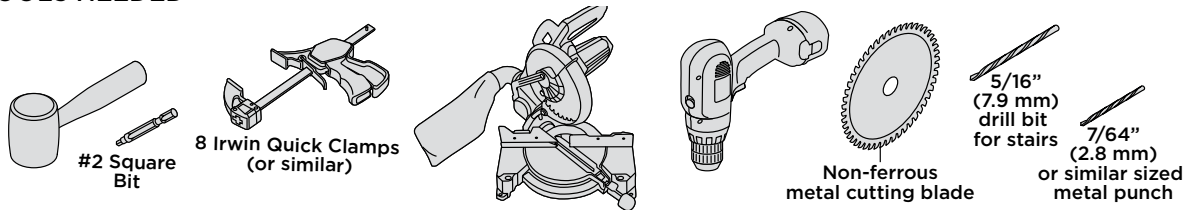


29. Attach post caps to post sleeves using external grade PVC construction adhesive.

HOW TO INSTALL TREX® SIGNATURE™ STAIR POSTS AND HORIZONTAL ROD RAILING STAIRS

TREX® SIGNATURE™ STANDARD

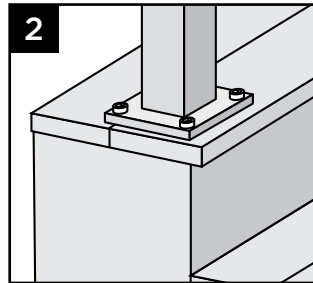
TOOLS NEEDED



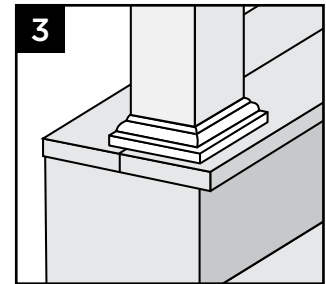
INSTALLING STANDARD STAIR POSTS, OR PRESSURE-TREATED POST, POST SLEEVES AND SKIRTS TREX® SIGNATURE™ STANDARD

1. Make sure 53" (135.6 cm) posts are used for all stair posts.

2. If Trex® Signature™ stair posts are used, install at nose of stair tread directly under required blocking. Refer to Trex® Signature™ Instructions for detailed post installation.



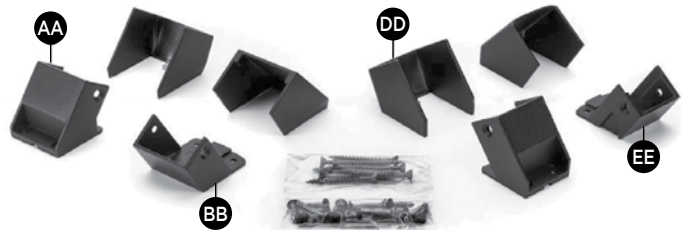
3. If pressure-treated post/post sleeves are used, posts are to be installed to the inside of the last stair stringer. (Rails must be over decking surface.) Refer to Trex® Signature™ Instructions for detailed post installation.



BRACKET HARDWARE - STAIR APPLICATIONS

TREX® SIGNATURE™ STANDARD

- AA. Bottom Stair Bracket and Cover - Lower Rail
- BB. Top Stair Bracket and Cover - Lower Rail
- CC. Fastener Pack
- DD. Bottom Stair Bracket and Cover - Upper Rail
- EE. Top Stair Bracket and Cover - Upper Rail

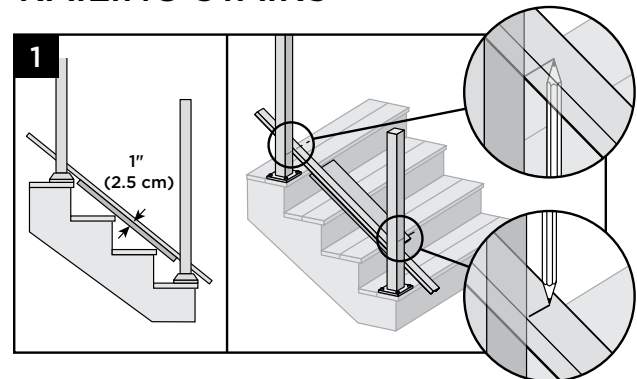


HOW TO INSTALL HORIZONTAL ROD RAILING STAIRS

TREX® SIGNATURE™ STANDARD

NOTES:

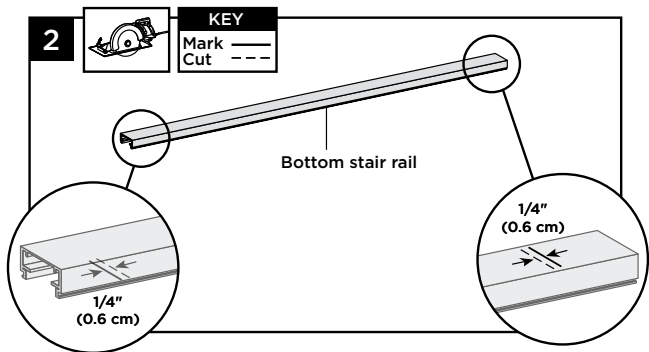
- » All Trex® Signature™ fixed stair brackets ONLY work with stair slopes of 32°-37°.
- » Illustrations shown are representations when using Trex® Signature™ post, but same rules apply if using pressure-treated posts and post sleeves.



1. Place a 1" deckboard on the nose of the stair tread, then lay the bottom stair rail on top of the deckboard. Use the lower and upper stair post to set the size of the lower stair rail. On **UPPER STAIR POST**, mark from underside of bottom rail. On **LOWER STAIR POST**, mark from top side of bottom rail.

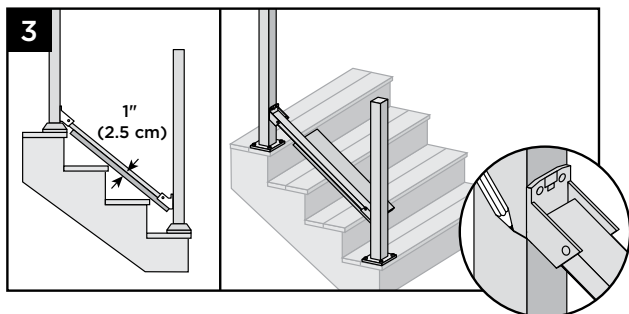
HOW TO INSTALL HORIZONTAL ROD RAILING STAIRS/CONTINUED

TREX[®] SIGNATURE[™] STANDARD



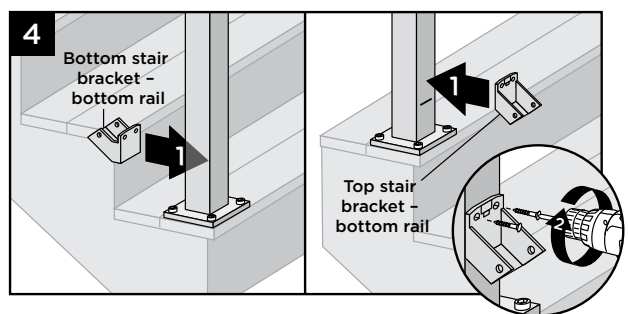
2. Cut each end of the bottom stair rail and bottom rail cover 1/4" (0.6 cm) shorter than the mark on each end to allow for fit into bottom stair rail brackets.

NOTE: Railing does not need to be cut at angle. Brackets are designed to allow for railing to be installed with standard straight cut.



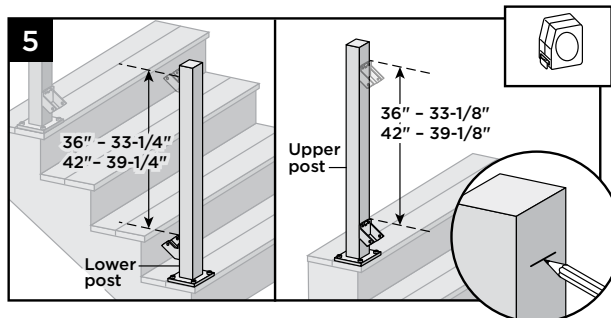
3. With deckboard still on nose of stair tread, place brackets on end of bottom stair rail (DO NOT attach brackets to rail) and mark posts for bracket locations.

Installing Lower Stair Brackets

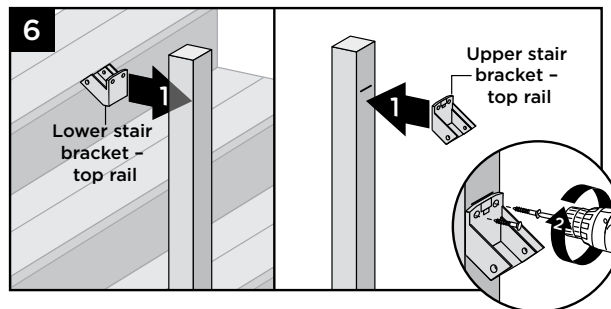


4. Center lower stair bracket on post above the marked line and attach using two self-tapping screws (provided). In some cases it may be difficult to attach the stair bracket on the lower stair post. Recommend using a 90° drill adapter or loosen the post to get access to the lower bracket screw holes.

Installing Upper Stair Brackets

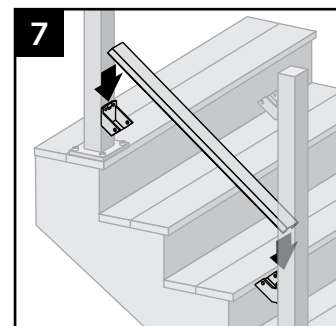


5. **On Lower Post** - From top of lower bracket, measure up and mark with light line (33-1/4" for 36" rail; 39-1/4" for 42" rail).
On Upper Post - From top of lower (upper) bracket, measure up and mark with light line (33-1/8" for 36" rail; 39-1/8" for 42" rail).



6. Center upper stair brackets on posts **below** the marked lines and attach using two self-tapping screws (provided).

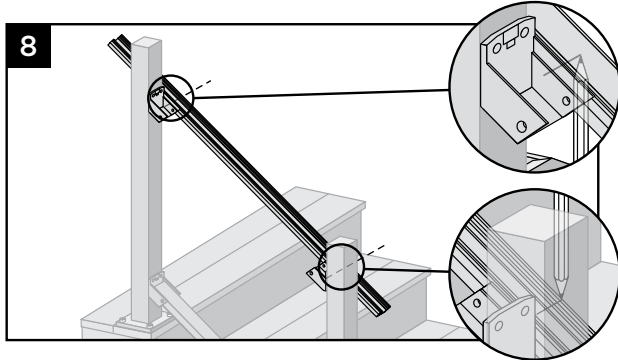
7. Set bottom stair rail into bottom stair rail brackets.



HOW TO INSTALL HORIZONTAL ROD RAILING STAIRS/CONTINUED

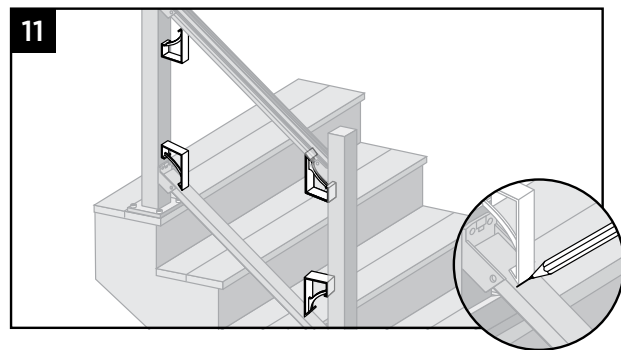
TREX[®] SIGNATURE[™] STANDARD

How to Mark, Cut and Place Top Stair Railing



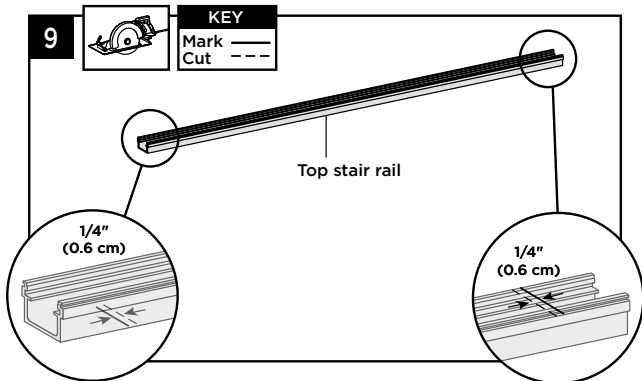
8. Position top rail to side of post. Mark top stair rail at each location stated. On **UPPER STAIR POST**, mark from underside of bottom rail. On **LOWER STAIR POST**, mark from topline of bottom rail.

Measuring and Cutting Rods



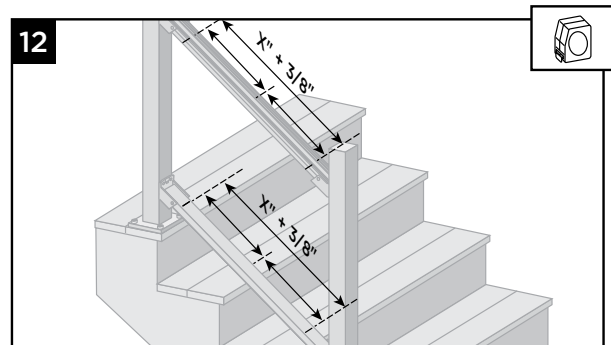
11. Using the long edge of the stair template, mark the location of the end verticals on the upper and lower rails.

NOTE: Mark should only be 1" max length or it will be visible after installation of verticals.



9. Cut each end of top stair rail and top rail cover $\frac{1}{4}$ " (0.6 cm) shorter than mark to allow for fit into top stair rail bracket.

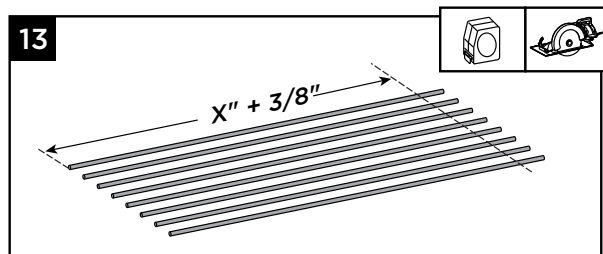
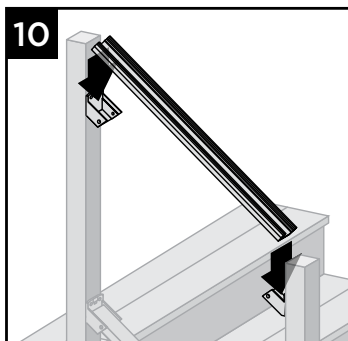
NOTE: Railing does not need to be cut at angle. Brackets are designed to allow for railing to be installed with standard straight cut.



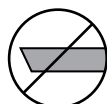
12. Measure and mark the mid-line (6' sections) of the two end marks of the top and bottom rail. Take that measurement and add $\frac{3}{8}$ " for rod length in next step.

NOTE: For 8' sections divide the distance into thirds and make two marks for the two verticals.

10. Set top stair rail into top stair rail brackets.



13. Cut rods to the length measured in previous step.

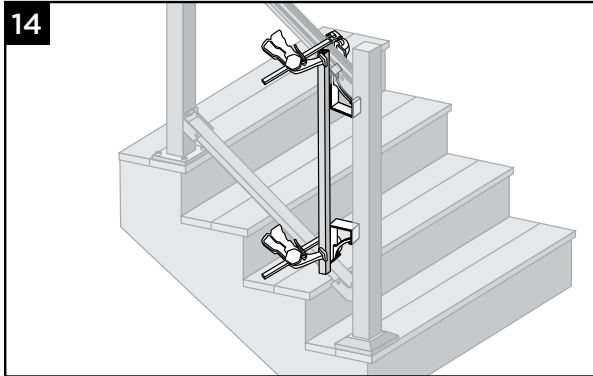


IMPORTANT: DO NOT CUT RODS AT RAIL ANGLE; MAKE 90° CUTS ONLY!

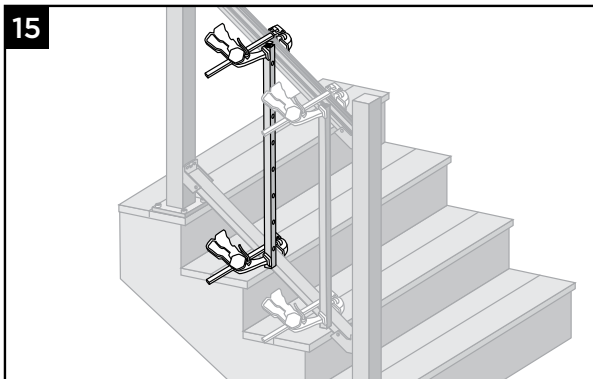
HOW TO INSTALL HORIZONTAL ROD RAILING STAIRS/CONTINUED

TREX[®] SIGNATURE[™] STANDARD

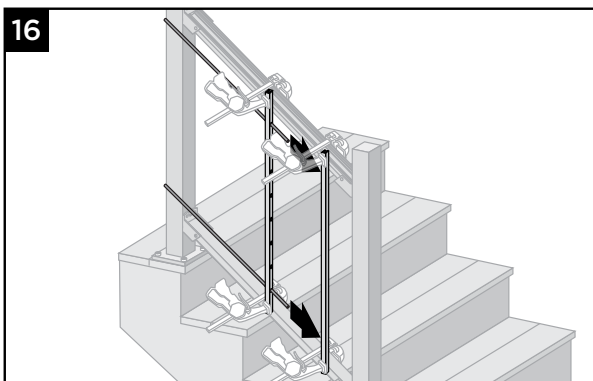
Measuring and Cutting Verticals



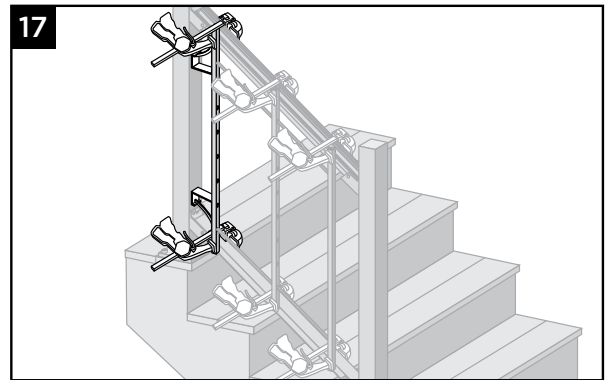
14. Clamp first vertical (lower part of stairs) in place, using width of stair template to position.



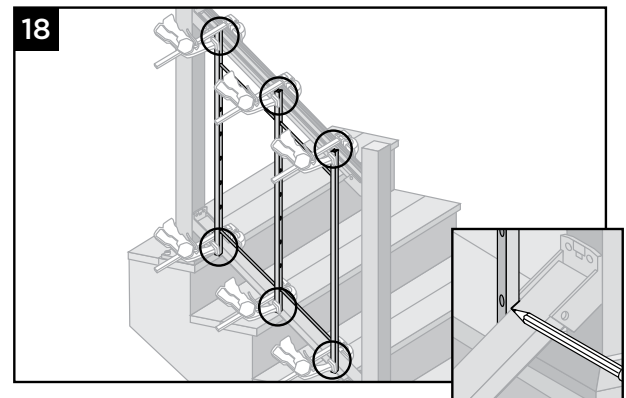
15. Clamp middle vertical(s) in place.



16. Slide a rod into top and bottom of all verticals. Ensure that distance of top rod to top rail and bottom rod to bottom rail are equal.

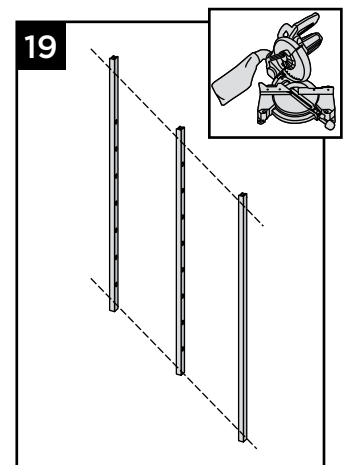


17. Clamp top vertical (upper part of stairs) in place, using width of stair template to position.



18. Mark angle cuts at top and bottom on all verticals.

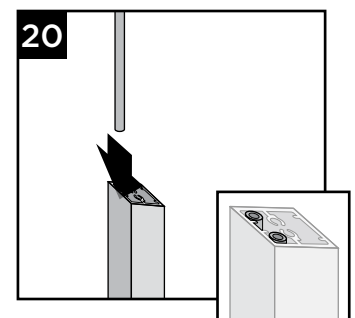
19. After removing rods and verticals, make angle cuts on top and bottom of verticals following marks from previous step.



Vertical and Rod Assembly

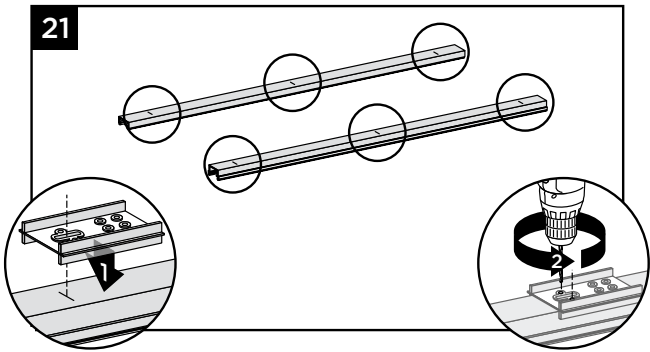
20. Insert anti-rattle strips into the vertical supports.

NOTE: There are two anti-rattle strips for each support which can only be inserted in one side.



HOW TO INSTALL HORIZONTAL ROD RAILING STAIRS/CONTINUED

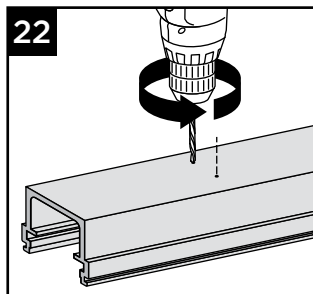
TREX® SIGNATURE™ STANDARD



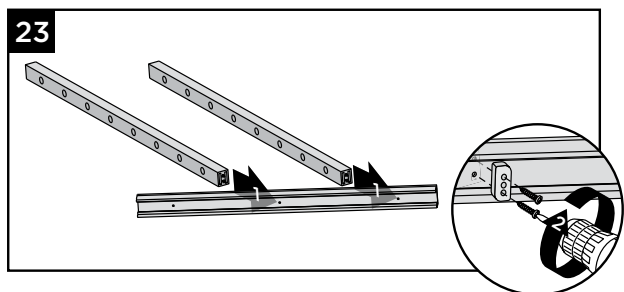
21. Using the slot on the HZ template, locate marked line and drill two 7/64" pilot holes at each mark (or mark with a punch).

NOTE: Pilot holes will be drilled out larger in next step.

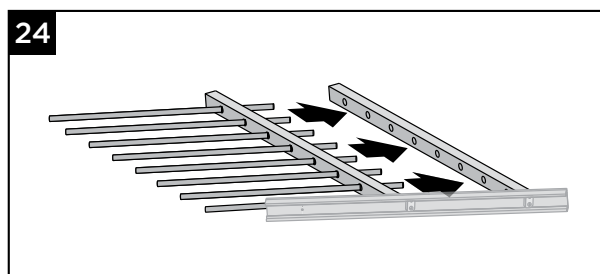
22. Using pilot holes (or marks), drill 5/16" holes for all vertical supports in both top and bottom rails.



Installing Top and Bottom Rails

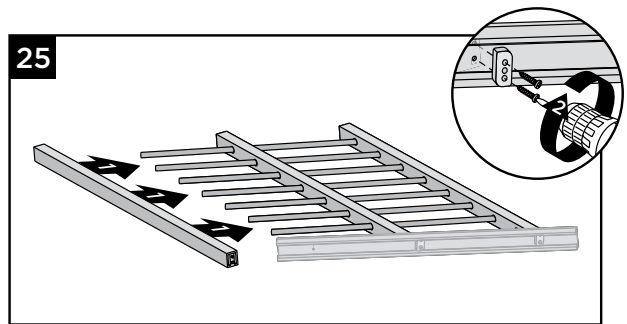


23. Install lowest end vertical and all intermediate verticals to bottom rail using ST Wedge Spacer and screws provided.

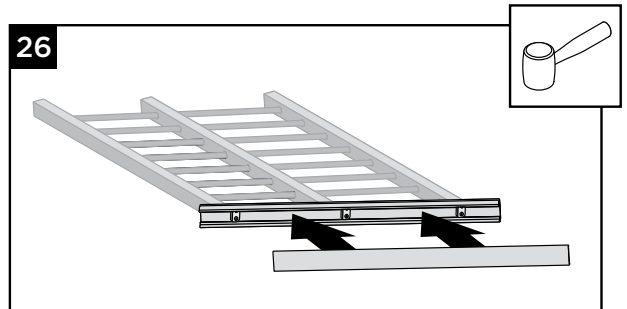


24. Slide rods into lower end and all intermediate verticals.

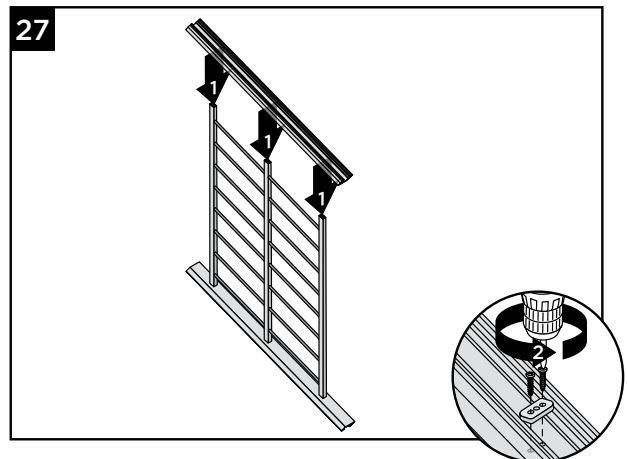
NOTE: When inserting rods into intermediate supports, keep rods straight to avoid scratching.



25. Slide upper end vertical onto rods and attach to bottom rail using ST Wedge Spacer and screws provided.



26. Using a mallet, install bottom rail cover onto bottom rail.

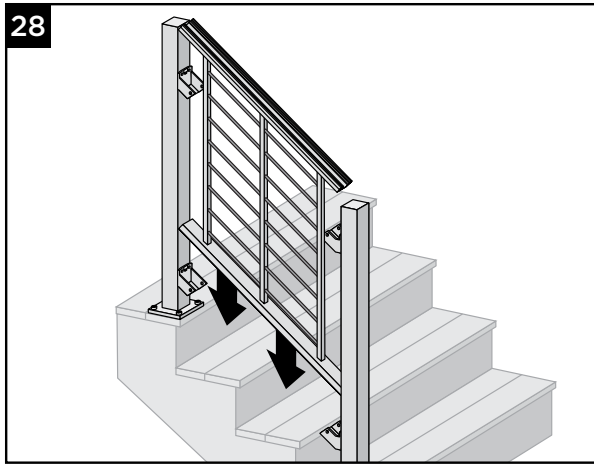


27. Install top rail to all vertical and end supports using ST Wedge Spacer and screws provided.

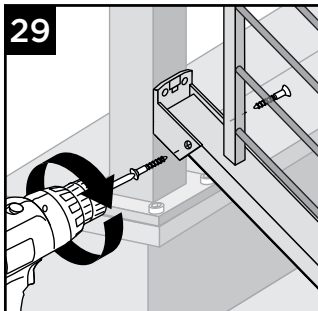
HOW TO INSTALL HORIZONTAL ROD RAILING STAIRS/*CONTINUED*

TREX® SIGNATURE™ STANDARD

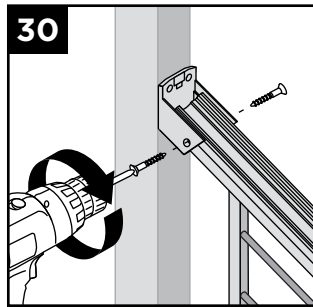
Final Installation



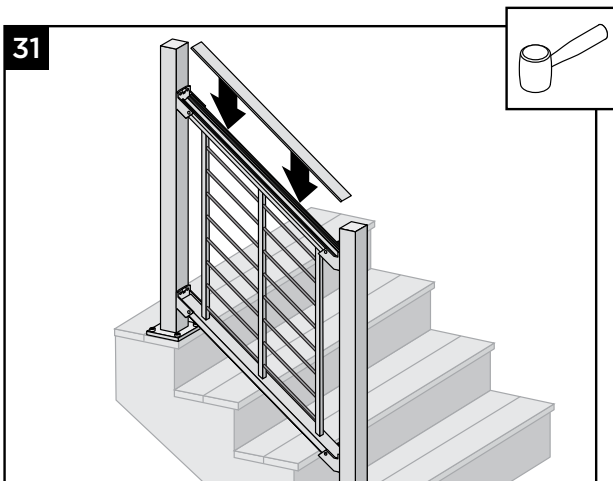
28. Drop assembled stair rod rail panel into brackets.



29. Attach bottom stair rail to bottom stair bracket using two self-tapping screws (*provided*) on each side of bracket.

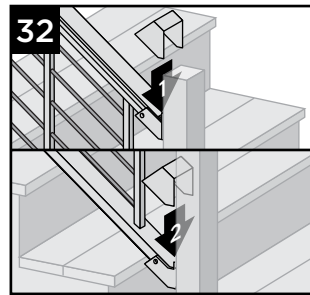


30. Attach top stair rail to top stair bracket (all types) using two self-tapping screws (*provided*) on each side of stair bracket.

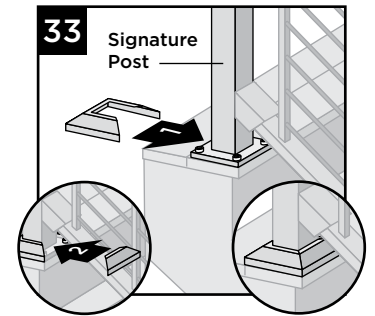


31. Using a mallet, install top rail cover.

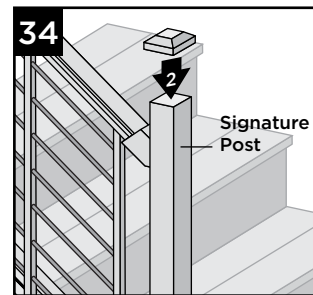
Attachment of Bracket Covers, Skirts, and Caps



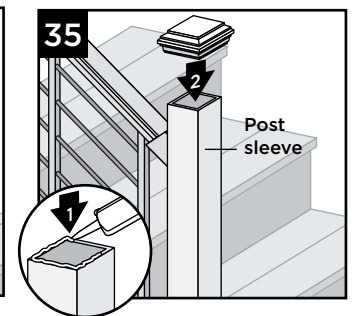
32. Attach corresponding bracket covers over opening in upper and bottom rails.



33. Attach provided post skirt to bottom of posts when using Trex® Signature™ posts.



34. Attach post caps to Trex® Signature™ posts. (Use of **rubber mallet** may be required for secure attachment.)



35. Attach post caps to post sleeves using external grade PVC construction adhesive.



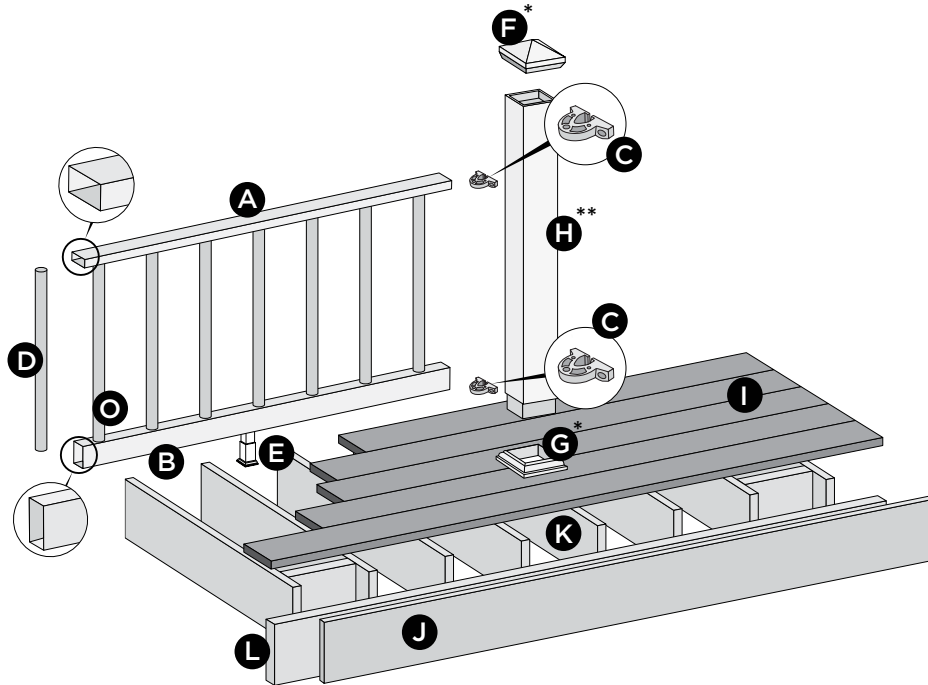
TREX SELECT RAILING

NOTES:

» All Trex Select Railing lengths are manufactured at ON CENTER dimensions (spanning from center of each post): 67-5/8" (176.8 cm) for 6' (1.83 m) on center, and 92-5/8" (235.3 cm) for 8' (2.44 m) on center. Note that railings are designed to be slightly longer than required to allow for very slight play in post placement – trimming may be required. IT IS VERY IMPORTANT TO MEASURE FIRST.

» SEE PAGE 61 FOR SKU NUMBERS.

PARTS



- A. Select top rail
- B. Select bottom rail
- C. Brackets
- D. Balusters
- E. Adjustable foot block
- F. Post sleeve cap*
- G. Post sleeve skirt*
- H. Post sleeve – 4" x 4" (102 mm x 102 mm) or 6" x 6" (152 mm x 152 mm) post sleeve**
- I. Trex decking
- J. Trex fascia
- K. Code-approved wood joist – 2" x 8" (51 mm x 203 mm)
- L. Code-approved wood rim joist – 2" x 8" (51 mm x 203 mm) or larger

* Item not included in the Select railing kits.

** Both 4" x 4" (102 mm x 102 mm) and 6" x 6" (152 mm x 152 mm) post sleeves are designed to fit over 4x4 pressure-treated post.

NOTE: If installing 42" (1067 mm) railing, use longer post sleeves and measure accordingly to ensure a proper cut (**DO NOT CUT POST SLEEVES TO ACTUAL 42" – THESE NEED TO BE LONGER TO ALLOW FOR POST CAPS TO FIT**).

NOTE: Pictorial representations shown may only show one style of railing, while others may also be used. Review detailed instructions to determine what railing styles and combinations can be used.

DETERMINING BALUSTERS NEEDED

Baluster Type	Per 6' OC Section	Per 8' OC Section
Round Aluminum Baluster (Horizontal Application)	14	20
Round Aluminum Baluster (Stair Application)	12	16

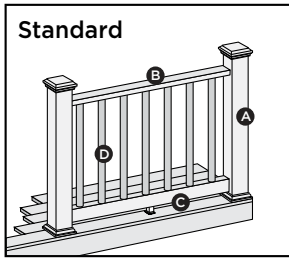
CODE APPROVED APPLICATIONS

	6' Railing	8' Railing
< 30" height decking	Acceptable (Code approval not applicable)	Acceptable (Code approval not applicable)
IRC Compliant	Yes	No
IBC Compliant	No	No

NOTE: If using 8' railings, the Trex Select® 8' Aluminum Rail Stiffener (sku SELALRAILSTIFFENER) can also be used to allow for the rail to be stronger if required.

TREX SELECT RAILING

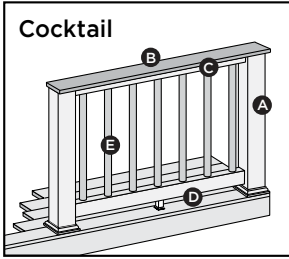
RAILING CONFIGURATIONS



Cutting post sleeves is **NOT** required.

- A. Pressure-treated post or Trex post mounts* with Trex Transcend post sleeves, or Trex joist mount posts*
- B. Select top rail
- C. Select bottom rail
- D. Select balusters

See page 144 for "How to Install Standard Railing".

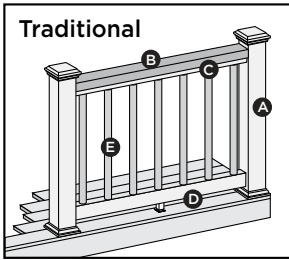


Post sleeves **WILL NEED TO BE CUT**.

- A. Pressure-treated post with Trex Transcend post sleeve
NOTE: » Only for use with 4" x 4" (102 mm x 102 mm) post sleeve.
» Trex post mounts or joist mount posts cannot be Select cocktail design.
- B. Deck board top rail.
NOTES: » Enhance (scalloped profile) and Escapes cannot be used
» Deck boards will need to be cut to fit each rail span
- C. Select top rail
- D. Select bottom rail
- E. Select balusters

See page 147 for "How to Install Select Cocktail Railing".

POST SLEEVES WILL NEED TO BE CUT



Cutting post sleeves is **NOT** required.

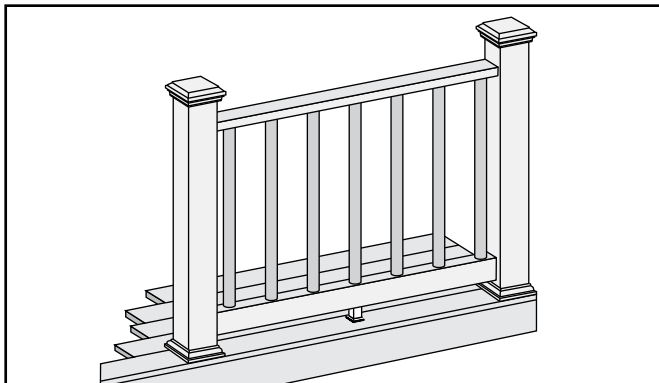
- A. Pressure-treated post or Trex post mounts* with Trex Transcend post sleeves, or Trex joist mount posts*
- B. 2" x 4" (51 mm x 102 mm) lateral top rail
- C. Select top rail
- D. Select bottom rail
- E. Select balusters

See page 148 for "How to Install Traditional Railing".

*See specific installation instructions for attachment of Trex post mounts or Trex Joist Mount Posts prior to installing any railing.

HOW TO INSTALL TREX SELECT STANDARD RAILING

TREX SELECT



Read all instructions **BEFORE** installation.

Important: Post sleeves are **NOT** to be cut for this design style.



HOW TO INSTALL TREX SELECT RAILING/CONTINUED

TREX SELECT

Installing Pressure-Treated Posts

» *Select Railing Kits are designed for posts to be installed at maximum of 6' or 8' (1.83 m or 2.44 m) ON CENTER depending on the length being used.*

NOTE: *Smaller spans are allowed.*

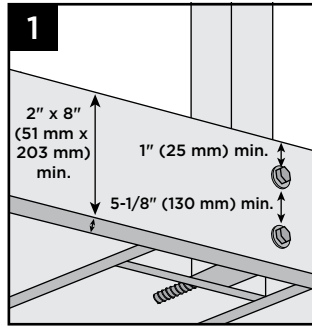
» *Attach posts using 1/2" (13 mm) carriage bolts.*

» *Minimum joist size is 2" x 8" (51 mm x 203 mm).*

» *Top bolts must be 1" (25 mm) from tops of joists.*

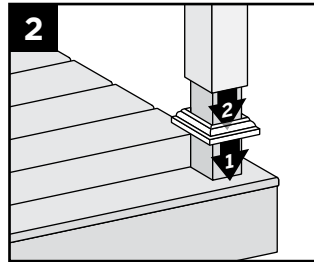
» *Bottom bolts must be 5-1/8" (130 mm) from top bolts.*

NOTE: *Blocking MUST be added for extra strength.*



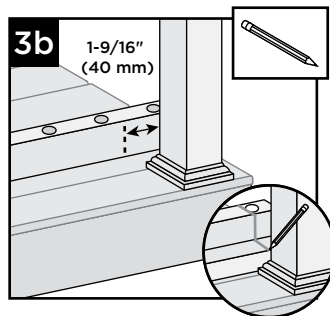
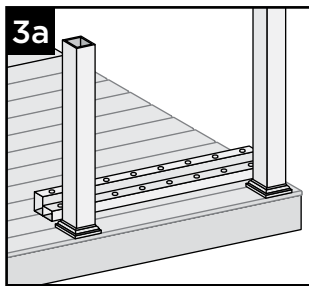
Installing Post Sleeve Skirts and Post Sleeves

2. Slide post sleeve skirt over post and down to rest on decking surface. Slide post sleeve over post and position inside post sleeve skirt.



NOTE: *Shims can be used to plumb post sleeves.*

Cutting Railings

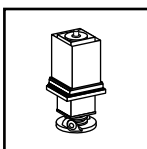


3a. Position bottom and top rails between posts, ensuring baluster holes are lined up and spaced evenly.

3b. Also allow for a minimum of 1-9/16" (40 mm) on each end of rail for bracket placement AND baluster clearance. Mark rails at intersection of rail and post.

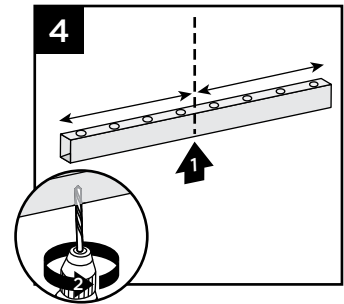
IMPORTANT NOTE REGARDING FOOT BLOCK INSTALLATION:

» *Refer to detailed instructions (Trex Select® rail instructions) included with foot block prior to installation of railing section as these include other required steps for proper installation.*

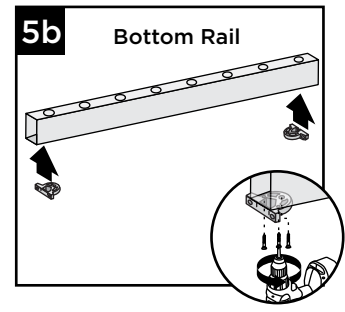
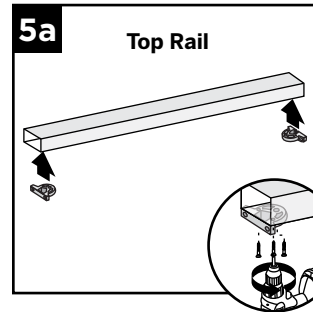


Attaching Foot Block to Bottom Rail

4. Invert the bottom rail. Center and drill a hole using a 3/16" (5 mm) drill bit. This will be location for foot block attachment (to be installed last).



Attaching Brackets to Rails

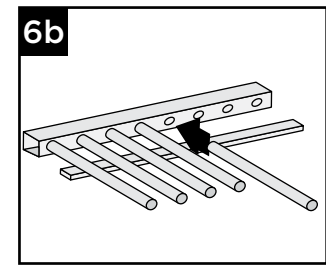
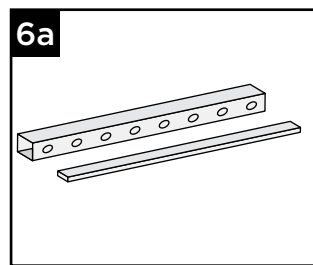


5a. Position brackets on each end of TOP RAIL on the same side as baluster holes. Attach brackets using three #8-18 x 1" self-drilling screws (provided).

5b. Position brackets on each end of BOTTOM RAIL on the **OPPOSITE SIDE** of the baluster holes. Attach brackets using three #8-18 x 1" self-drilling screws (provided).

NOTE: *For ease of bracket attachment place rail against stationary flat vertical surface along with bracket.*

Assembling Railing Section

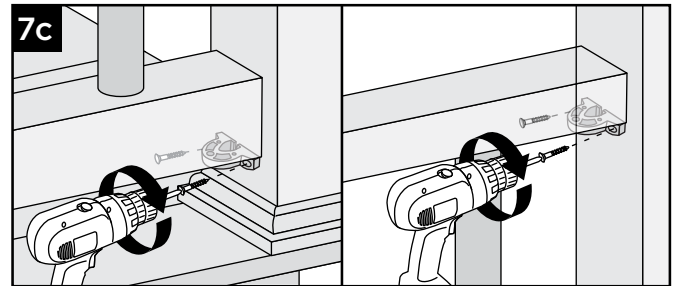
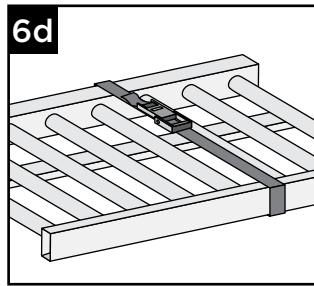
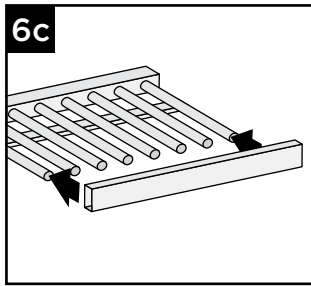


6a. On a clean flat surface, lay bottom railing on its side. Make sure to allow enough room for installation of balusters and top rail. Place a scrap piece of 1" (25 mm) decking board running parallel to bottom rail for support when installing balusters.

6b. Insert balusters into bottom rail slots until balusters are fully seated.

HOW TO INSTALL TREX SELECT RAILING/CONTINUED

TREX SELECT



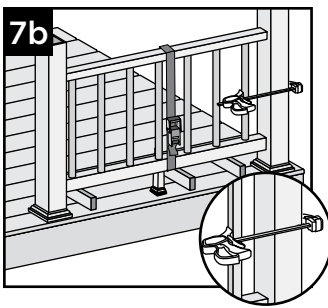
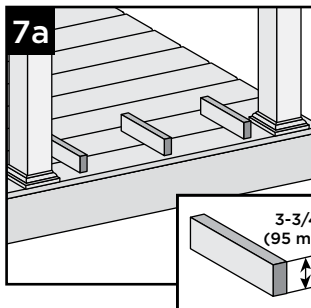
6c. Attach top rail to balusters, feeding each baluster into required slots. Start on one end and work towards the other.

6d. To help temporarily secure the railing section together, place a ratchet strap around the top and bottom rail and tighten until snug.

DO NOT OVERTIGHTEN AS YOU CAN BEND THE RAILING.

7c. Install both bottom and top brackets on each side to post using two #8-10 x 2" wood screws (*provided*). For best results, set drill to low speed when installing these screws.

Installing Railing Section to Posts



7a. Using scrap material (i.e. 2 x 4s, decking boards, etc.) cut at least three support blocks at 3-3/4" (95 mm) in height. Place one each on decking surface beside each post and one near center of span.

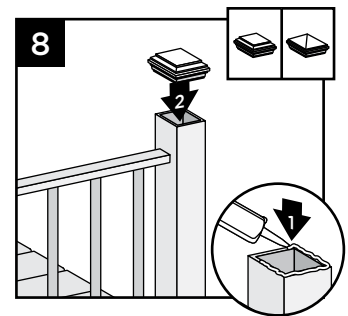
7b. Lift secured railing section up, and **CENTER** this section in between the spanned posts on pre-positioned support blocks.

NOTE: To help stabilize railing section use a quick-grip clamp (or other type of clamp) and clamp the first baluster to post sleeve. **DO NOT OVERTIGHTEN CLAMP.**

Attaching Post Caps and Installing Foot Block

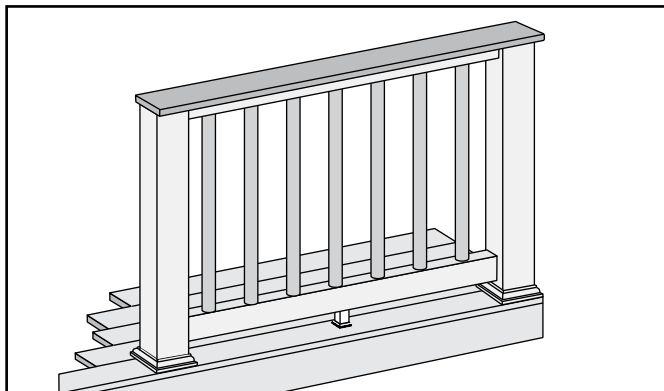
8. Secure post caps with silicone or PVC adhesive. Attach foot block per foot block instructions.

NOTE: Clean up any excess adhesive before it dries.



HOW TO INSTALL COCKTAIL RAILING TREX SELECT

Important: ONLY use for use with pressure-treated 4x4 post (3.5" nominal square) and 4" x 4" (102 mm x 102 mm) post sleeve. Trex Post Mounts or Joist Mount Posts cannot be used with Select Cocktail railing.

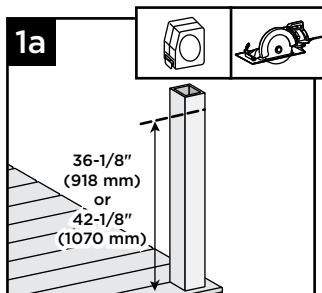


1. Installing Pressure-Treated Posts, Post Sleeve Skirts and Post Sleeves

See instructions on page 145.

Cutting Post and Post Sleeve

- 1a. Mark and cut post and post sleeve measuring from deck surface:
- » 36-1/8" (918 mm) for 36" (914 mm) height.
 - » 42-1/8" (1070 mm) for 42" (1067 mm) height.



4. Cutting Railings

See instructions on page 145.

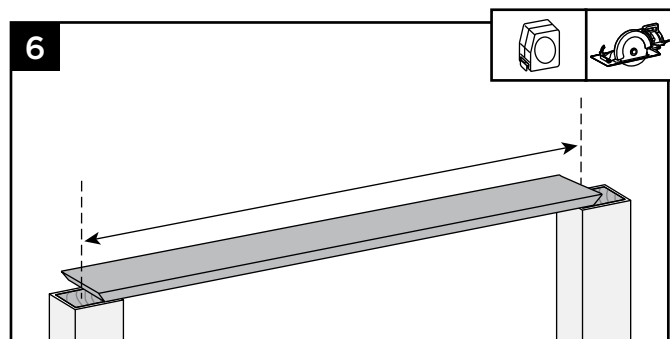
5. Attaching Foot Block to Bottom Railing

See instructions on page 145.

NOTES:

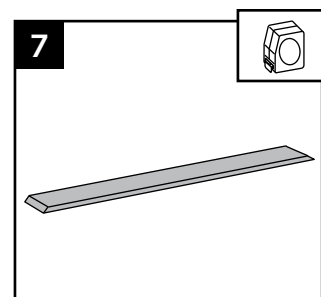
- » Leave 1/8" (3 mm) gap between deck boards.
- » Deck boards can overhang end of last post maximum 1/2" (13 mm).

Cutting Deck Board



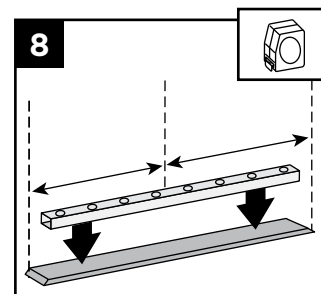
6. Cut deck boards to appropriate length of railing span, remembering to include extra space on each side of the deck board to allow for attachment to the post. Decking boards must cover 1/2 of the pressure-treated post to allow this to be fastened later.

7. Place inverted deck board (top side of deck board face down) on clean, flat surface. (**DO NOT** use Enhance scalloped profile or Escapes deck boards for top rail).



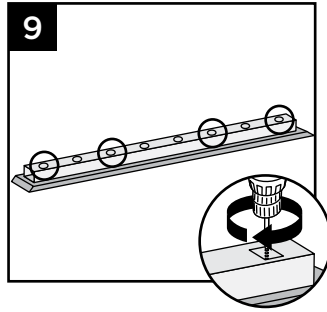
Attaching Deck Board to Select Top Rail

8. Place inverted Select top rail (orient properly so baluster holes are shown top side up), on the deck board, centered in both directions to allow final attachment to post.



HOW TO INSTALL COCKTAIL RAILING/CONTINUED TREX SELECT

9. Secure deck board to Select top rail with 3/4" screws provided approx. every 16" on center. Screws are to be installed inside of the baluster holes into the decking board. **DO NOT** overtighten.



NOTES:

- » A long drill bit will be required to fit inside the baluster holes.
- » If installing 8' rail section and using Aluminum Rail Stiffener, predrilling will be required through the stiffener.

10. Assembling Railing Sections

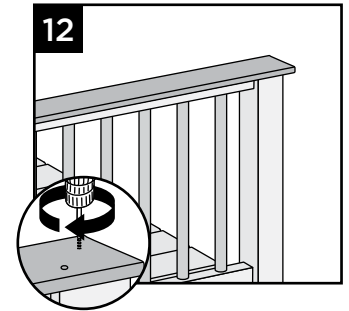
See instructions on page 145.

11. Installing Railing Sections to Posts

See instructions on page 146.

12. Attaching Deck Board to Posts

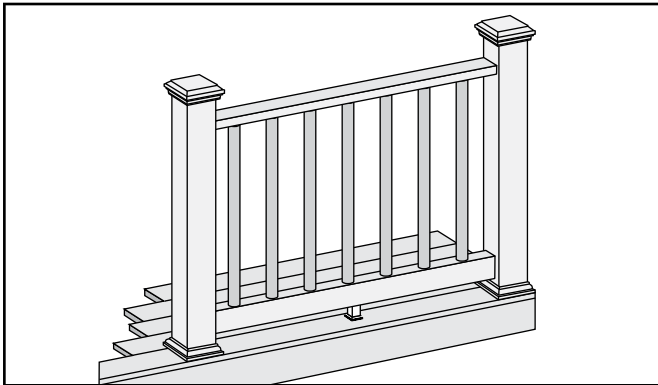
Attach boards on each post with Trex recommended composite screws (quantity of 2 per each board end).



13. Installing Foot Block

Install foot block per detailed instructions.

HOW TO INSTALL TREX TRADITIONAL RAILING TREX SELECT



1. Installing Pressure-Treated Posts, Post Sleeve Skirts and Post Sleeves

See instructions on page 145.

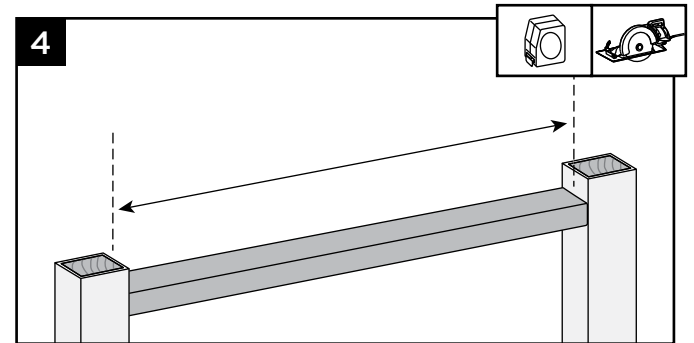
2. Attaching Foot Block to Bottom Railing

See instructions on page 145.

3. Cutting Railings

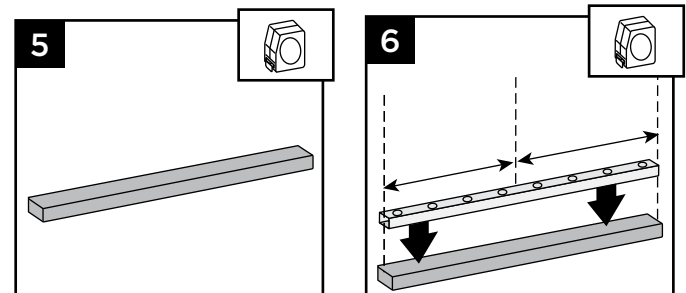
See instructions on page 145.

Cutting 2" x 4"



4. Cut 2" x 4" (51 mm x 102 mm) to same length of the inverted Select top rail.

Attaching 2" x 4" to Select Top Rail

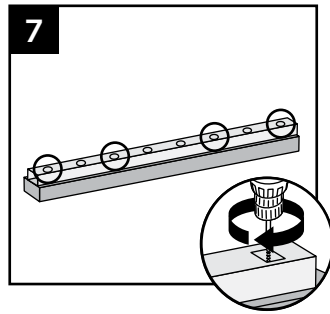


5. Place inverted 2" x 4" (51 mm x 102 mm) (top side face down) on clean, flat surface.
6. Place inverted Select top (orient properly so baluster holes are shown top side up) on 2" x 4" (51 mm x 102 mm).

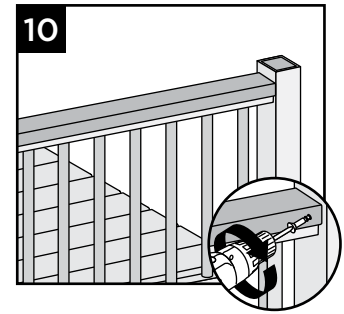


HOW TO INSTALL TREX TRADITIONAL RAILING/CONTINUED TREX SELECT

7. Secure 2" x 4" (51 mm x 102 mm) to Select top rail with 3/4" screw provided approx. every 16" on center. Screws are to be installed inside of the baluster holes into the decking board.



10. **Attaching 2x4 to Posts**
Pre-drill a pilot hole and toenail 2-1/2" (64 mm) screw at each end of 2" x 4" (51 mm x 102 mm) into post on back side of rail (side not facing decking).



NOTES:

- » **DO NOT** overtighten. Note that a long drill bit will be required to fit inside the baluster holes.
- » If installing 8' rail section and using Aluminum Rail Stiffener, predrilling will be required through the stiffener.

11. **Attaching Post Caps and Installing Foot Block**

Secure post caps with silicone or PVC adhesive. Attach foot block per foot block instructions.

8. **Assembling Railing Sections**

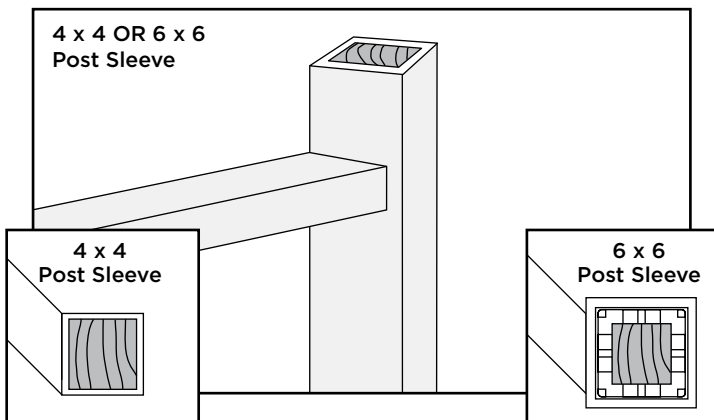
See instructions on page 145.

9. **Installing Railing Sections to Posts**

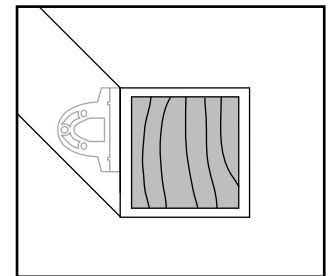
See instructions on page 146.

HOW TO INSTALL ON-AN-ANGLE RAILING TREX SELECT

NOTE: Brackets are designed to be installed up to a 45° angle.



Both 4" x 4" (102 mm x 102 mm) or 6" x 6" (152 mm x 152 mm) post sleeves work well for angles up to 45 degrees. Bottom rail brackets may need to be slightly offset to one side in order to fit properly to hold rail in place. Before attaching bracket to rail, measure and mark to ensure bottom rail remains parallel to upper rail.



HOW TO INSTALL TREX SELECT STAIR RAILING

TREX SELECT

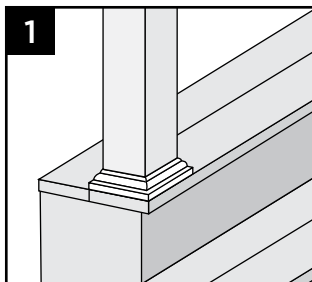
Read all instructions **BEFORE** installation.

IMPORTANT NOTE: POST TO POST SPAN WILL BE LESS THAN 6'. PRIOR TO INSTALLING POSTS, CALCULATE POST TO POST SPAN USING A MAXIMUM RAIL LENGTH OF 6' AND THE ANGLE (32°-37°) AT WHICH THE RAILS WILL BE INSTALLED. DO NOT INSTALL STAIR POSTS AT 6' SPAN, AS STAIR RAILINGS WILL THEN BE TOO SHORT.

NOTE: All Select railings work ONLY WITH STAIR SLOPES OF 32° TO 37°.

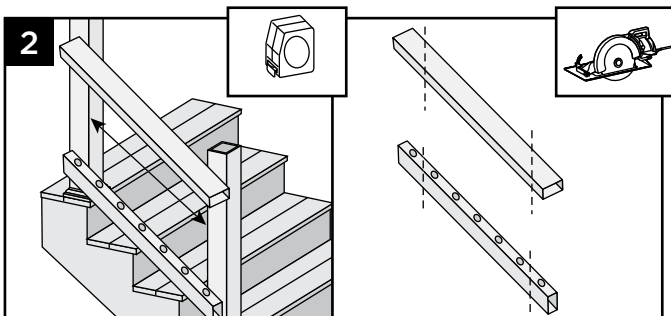
Installing Posts, Post Sleeve Skirts, and Post Sleeves for Stair Rails

1. Install posts, post sleeve skirts, and post sleeves according to standard Select railing instructions.



- » In most cases, a post and post sleeve longer than 39" (991 mm) will be needed on the lower section of stair rail to accommodate stair angle.
- » Make sure top and bottom posts for stars are installed at nose of each tread.

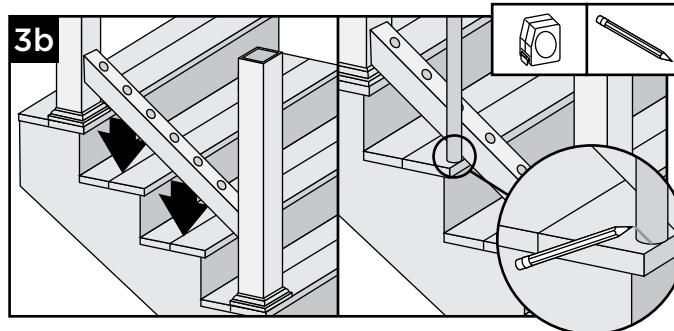
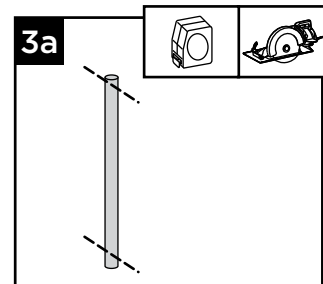
Measuring and Cutting Railings



2. Set railing along the nose of the stair treads, making sure baluster holes are vertically aligned and mark line at each intersection. **When measuring, cut equal lengths from each side of railing allowing a minimum of 2" (51 mm) on each end from the last baluster hole to the end of the rail.** This will ensure proper baluster and bracket placement and equal spacing of balusters per each railing section.

Cutting Balusters on Angle (OPTIONAL)

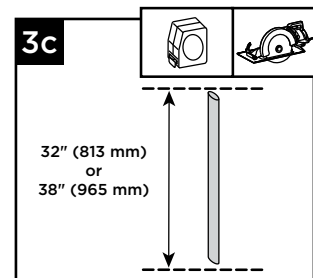
- 3a. In order for balusters to seat properly (depending on the angle of the stair railing), the balusters may need to be trimmed to match the angle of the bottom and top railing.



- 3b. Set bottom railing on nose of stair treads and set baluster at 90° on the outside of the railing. Mark and measure the angle.

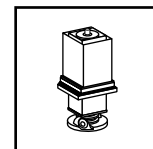
NOTE: Measure, mark, and cut a scrap board to ensure you have proper angle BEFORE cutting balusters on angle.

- 3c. Cut the **VERY END** of baluster, both top and bottom, making sure that point to point measurement of the baluster remains at either 32" (813 mm) for 36" (914 mm) rail heights or 38" (965 mm) for 42" (1067 mm) rail heights.



IMPORTANT NOTE REGARDING FOOT BLOCK INSTALLATION:

- » Refer to detailed instructions (Trex Select) rail instructions) included with foot block prior to installation of railing section as these include other required steps for proper installation.

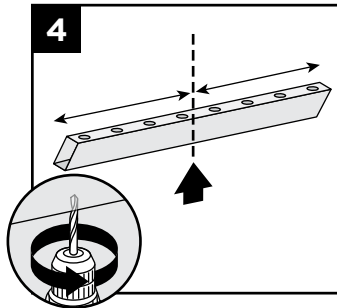


HOW TO INSTALL TREX SELECT STAIR RAILING/CONTINUED

TREX SELECT

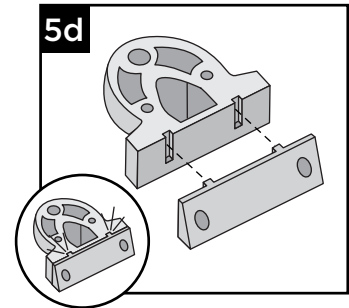
Attaching Foot Block to Bottom Stair Rail

4. Invert the bottom stair rail. Center and drill a hole using a 3/16" (5 mm) drill bit. This will be location for foot block (to be installed last).



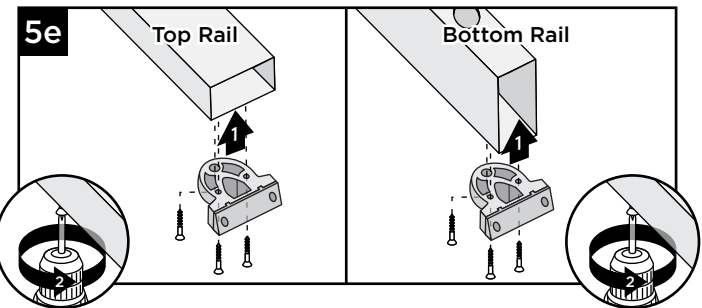
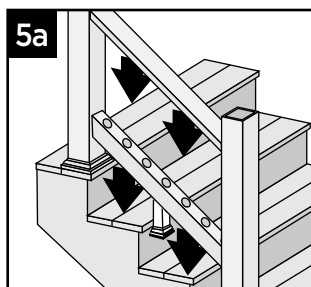
Lower Stair Post Locations

5d. Snap the bottom stair adaptor bracket (labeled BOTTOM) to the standard bracket. Repeat for remaining bracket.



Attachment of Brackets to Railings

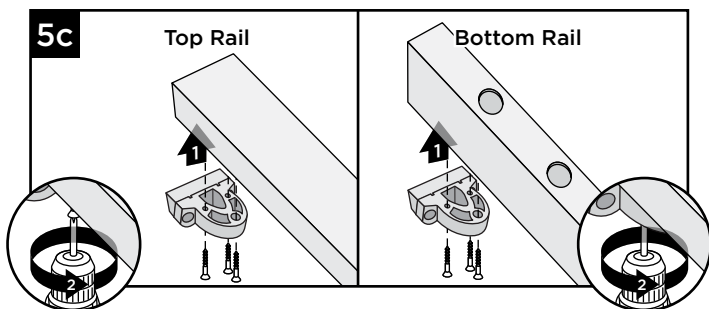
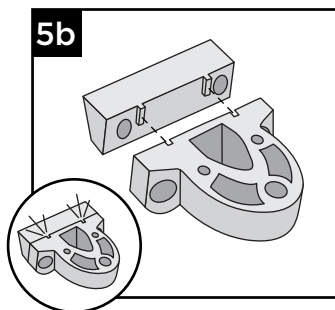
5a. Check fit for both top and bottom railings in designated positions for location onto posts. Remove railings.



5e. On the TOP RAIL, attach the assembled bottom stair bracket to the side with baluster holes. On the BOTTOM RAIL, attach the assembled bottom stair bracket to the OPPOSITE SIDE of the baluster holes. Attach both brackets using three #8-18 x 1" self-drilling screws (provided).

Upper Stair Post Locations

5b. Snap the top stair adaptor bracket (labeled TOP) to the standard bracket. Repeat for remaining bracket.

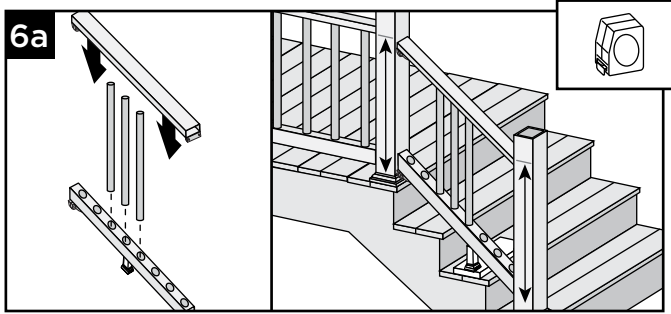


5c. On the TOP RAIL, attach the assembled top stair bracket to the side with baluster holes. On the BOTTOM RAIL, attach the assembled top stair bracket to the OPPOSITE SIDE of the baluster holes. Attach both brackets using three #8-18 x 1" self-drilling screws (provided).

HOW TO INSTALL TREX SELECT STAIR RAILING/CONTINUED

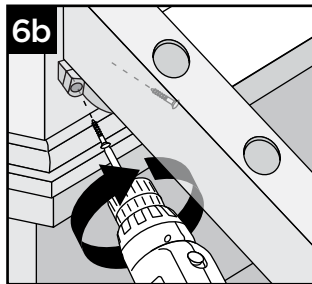
TREX SELECT

Attachment of Bottom Rail to Post

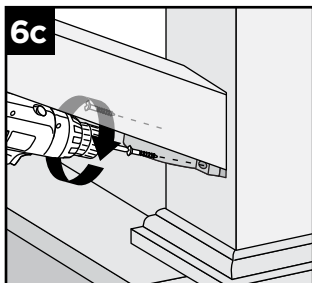


6a. Assemble a few of the balusters into the bottom and top railings (make sure balusters are setting at 90°) and set this on scrap material clearing the stair treads to determine where bracket locations need to be. Measure to make sure that the bottom railing will clear the stair treads and the top railing will be aligned with horizontal railing (remember in most cases, a longer post and post sleeve will be needed on the lower section of stair rail to accommodate stair angle).

6b. After locating appropriate position for bottom rail remove top rail and balusters and attach bottom rail stair bracket to upper post using two #8-10 x 3" wood screws (*provided*).

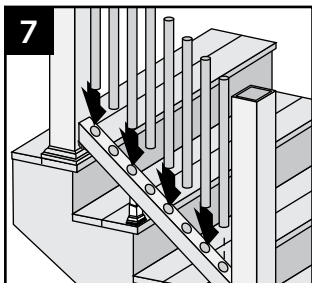


6c. Attach bottom stair rail stair bracket to lower post using two #8-10 x 3" wood screws (*provided*). For best results set drill to low speed when installing these screws.



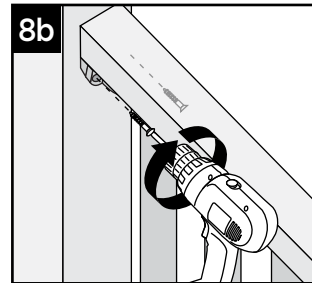
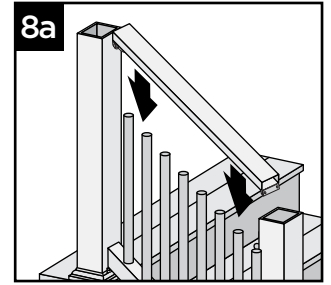
Install Balusters

7. Slide balusters into bottom rail until balusters are fully seated.

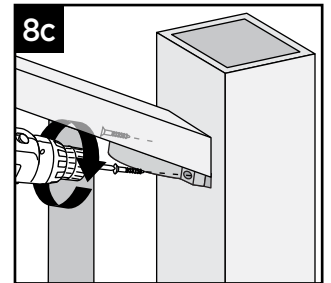


Attachment of Top Rail to Post

8a. Place top rail onto balusters, allowing the top rail to rest on the surface of the balusters.



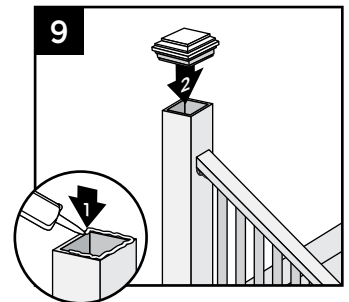
8b. Attach top stair rail bracket to upper post using two #8-10 x 3" screws (*provided*). For best results set drill to low speed when installing these screws.



8c. Attach top stair rail bracket to lower post using two #8-10 x 3" screws (*provided*). For best results set drill to low speed when installing these screws.

Attaching Post Caps and Installing Foot Block

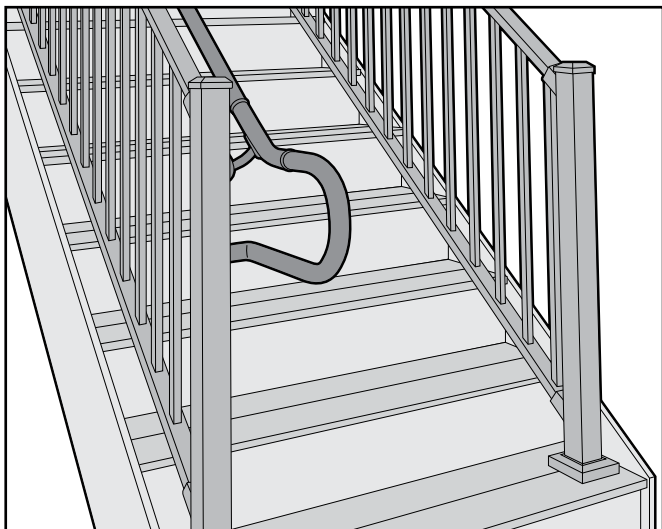
9. Secure post caps with silicone or PVC adhesive. Attach foot block per foot block instructions.



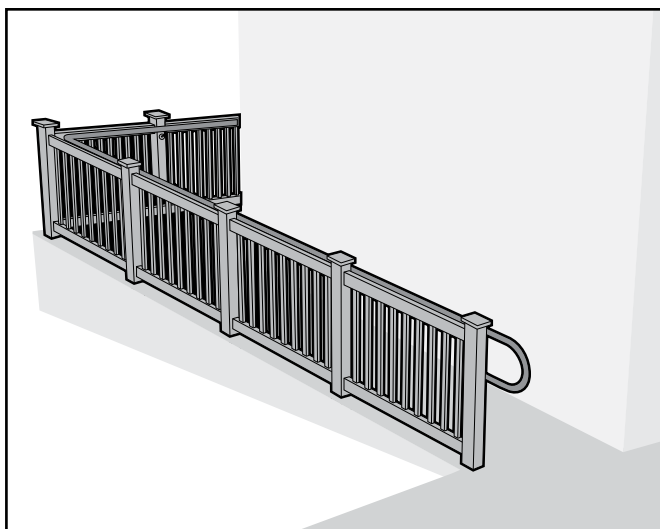
NOTE: Clean up any excess adhesive before it dries.

TREX® ALUMINUM ADA COMPLIANT HANDRAIL

STAIR APPLICATION

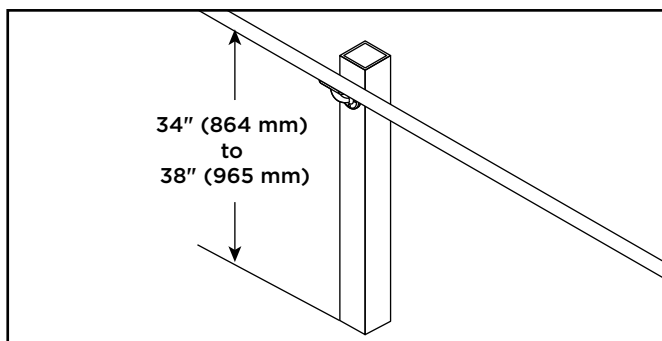


RAMP APPLICATION



ADA Handrail Guidelines

1. ADA handrails can be installed using various design applications such as those for stairs, ramps, and horizontal applications. Designs include options for straight and 90° wall returns, 90° corners, and adjustable angles. Choose which is best for your needs before installing. Refer to railing profile page for a more detailed parts list.



2. The handrail system top rail should be 34" (864 mm) to 38" (965 mm) above the surface. However, verifying height requirements with local building code officials before installing is important as codes vary in different areas.*
3. Maintain a minimum clearance of 1-1/2" (38 mm) between the handrail and any obstructions above or behind the handrail.
4. The end loop return at all landings must extend 12" (305 mm) past the end of the ramp or stair application.*
5. The slope of the handrail for the ramp should not exceed 1" (25 mm) rise over a 12" (305 mm) run.

6. The maximum recommended span between supports is 6' (1.83 m) on center. Thus, placement of posts is critical when installation of railing is being considered.*
7. Rails are designed to have a tight fit into other connecting components. It is critical to line these up in the correct orientation BEFORE connecting parts together. If it is necessary to shift or move a component on a rail, wrap with a protective cloth to prevent scratching as you may need to use a wide-mouth wrench to correct this.
8. **At any straight location where internal connector is used, it is CRITICAL to locate these as close to a wall mount as possible.**
9. If using metal posts, pre-drill all locations for bracket attachment. (**ALWAYS** use a drill bit slightly SMALLER in diameter than the screw being used for attachment.)
10. All elbow components can be cut down to allow for tighter angles. Cut a maximum of 2" (51 mm) on each side if this is required.

*Refer to the American Disabilities Act for detailed information with regard to handrail requirements.

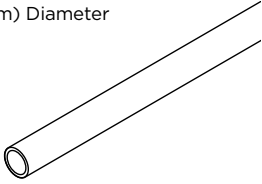

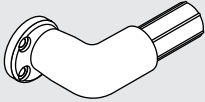

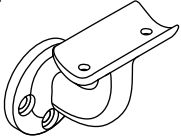
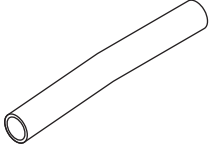
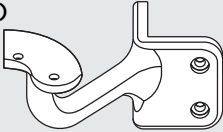

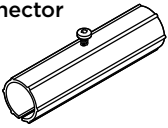
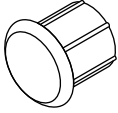
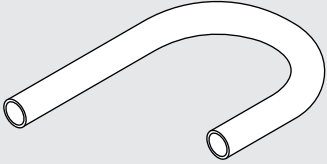
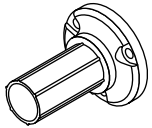

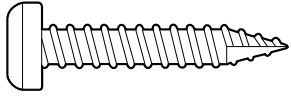


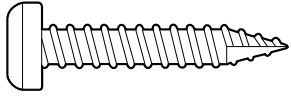


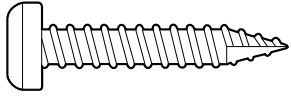

SAFETY NOTES

- » When cutting metal, ALWAYS wear proper safety eyewear (as well as any other proper safety wear).
- » Remove all burrs from cut ends before installation.
- » Use of a non-ferrous metal blade is recommended.


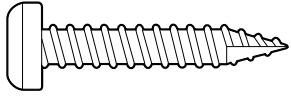

NOTE: Construction methods are always improving. Please refer to www.trex.com for the most up-to-date installation requirements.

ADA RAILING PROFILES

» SEE PAGE 62 FOR SKU NUMBERS.

DESCRIPTION	COLOR	DESCRIPTION	COLOR												
ADA Handrail 1.375" (34.9mm) Diameter 	BK, BZ, WT	ADA 90° Elbow*  <small>*This component is designed for both inside corners and outside corners.</small>	BK, BZ, WT												
ADA Wall Return (screws included) 	BK, BZ, WT	ADA 36°, 34°, and 31° Elbows 	BK, BZ, WT												
ADA Wall Mount (screws included) 	BK, BZ, WT	ADA 5° Elbow 	BK, BZ, WT												
ADA Corner Mount (screws included) 	BK, BZ, WT	ADA Collar 	BK, BZ, WT												
ADA Internal Connector 		ADA End Cap 	BK, BZ, WT												
ADA Handrail Return 	BK, BZ, WT	HARDWARE													
ADA Inline Bracket (screws included) 	BK, BZ, WT	<table border="1"> <thead> <tr> <th colspan="2">RAIL TO BRACKET ATTACHMENT</th> </tr> </thead> <tbody> <tr> <td>Short Metal Screw (#10 x 5/8" [16 mm])</td> <td></td> </tr> <tr> <th colspan="2">BRACKET TO METAL POST ATTACHMENT</th> </tr> <tr> <td>Long Metal Screw (#12 x 1-1/4" [32 mm])</td> <td></td> </tr> <tr> <th colspan="2">BRACKET TO WOOD POST/POST SLEEVE ATTACHMENT</th> </tr> <tr> <td>Wood Screw (#10 x 2" [51 mm])</td> <td></td> </tr> </tbody> </table>		RAIL TO BRACKET ATTACHMENT		Short Metal Screw (#10 x 5/8" [16 mm])		BRACKET TO METAL POST ATTACHMENT		Long Metal Screw (#12 x 1-1/4" [32 mm])		BRACKET TO WOOD POST/POST SLEEVE ATTACHMENT		Wood Screw (#10 x 2" [51 mm])	
RAIL TO BRACKET ATTACHMENT															
Short Metal Screw (#10 x 5/8" [16 mm])															
BRACKET TO METAL POST ATTACHMENT															
Long Metal Screw (#12 x 1-1/4" [32 mm])															
BRACKET TO WOOD POST/POST SLEEVE ATTACHMENT															
Wood Screw (#10 x 2" [51 mm])															

HARDWARE

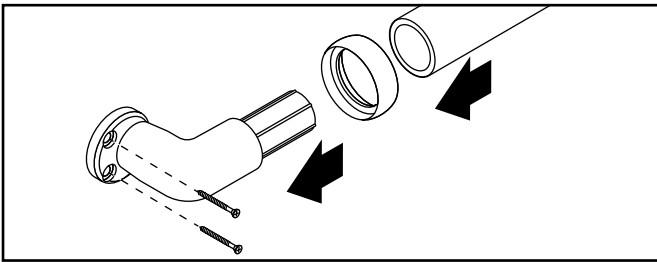
RAIL TO BRACKET ATTACHMENT	
Short Metal Screw (#10 x 5/8" [16 mm])	
BRACKET TO METAL POST ATTACHMENT	
Long Metal Screw (#12 x 1-1/4" [32 mm])	
BRACKET TO WOOD POST/POST SLEEVE ATTACHMENT	
Wood Screw (#10 x 2" [51 mm])	

NOTE: If attaching brackets to 6x6 posts/post sleeves, use #10 x 2-1/2" (64 mm) wood screws (not included).

COLORS: BK Charcoal Black BZ Bronze WT White

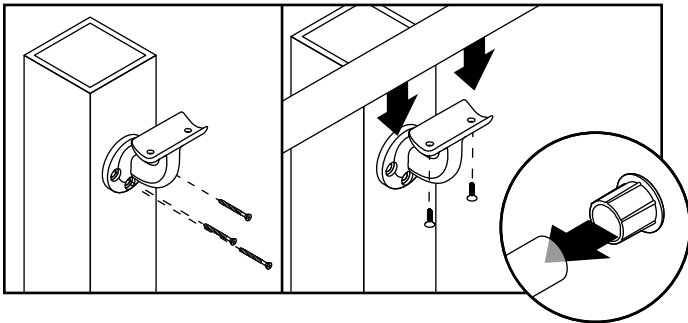
HOW TO INSTALL TREX® ALUMINUM ADA COMPLIANT HANDRAIL

90° Wall Return



1. If required, cut railing to proper length based on location of wall return(s) or attachment to other components.
2. If desired, collar ring can be used to hide seam of wall return to rail. Slide over rail **BEFORE** inserting rail into wall return.
3. Slide rail onto wall return until it is fully inserted and seam is hidden under collar (if collar is being used).
4. Attach wall return to post using specific hardware provided (see chart on previous page), **ENSURING** wall return is at proper angle of alignment to post. (Wall return is designed to have tight fit into rail, thus location of attachment is critical.) If using metal posts, pre-drill post prior to attachment of wall mount.

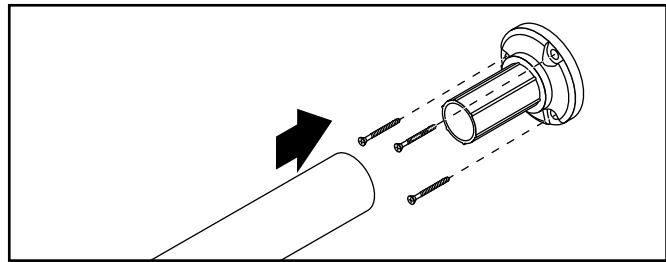
Wall Mount



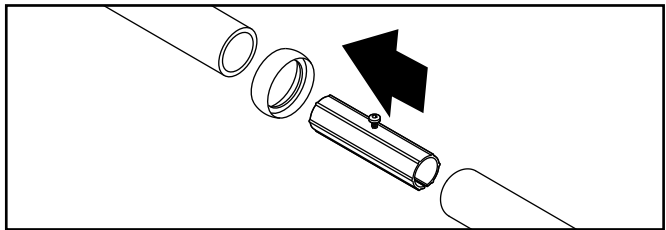
NOTE: Refer to Rail-to-Rail Connections section if connecting two or more rails together to make continuous straight run.

1. If required, cut railing to proper length based on location of wall mount(s) or attachment to other components.
 2. Attach wall mount to post using specific hardware provided (see chart on previous page), **ENSURING** wall mount is at proper angle of alignment to angle of rail. If using metal posts, pre-drill post prior to attachment of wall mount.
- TIP:** To help with angled attachment, place one screw into bottom hole of bracket and pivot wall mount to position required.
3. Attach rail to wall mount using specific hardware provided (see chart on previous page).
 4. Attach end cap to railing.

Inline Bracket



1. If required, cut railing to proper length based on location of inline bracket(s) or attachment to other components.
2. Attach inline bracket to post using specific hardware provided (see chart on previous page). If using metal posts, pre-drill post prior to attachment of inline bracket.
3. Slide rail onto inline bracket until it is fully inserted.



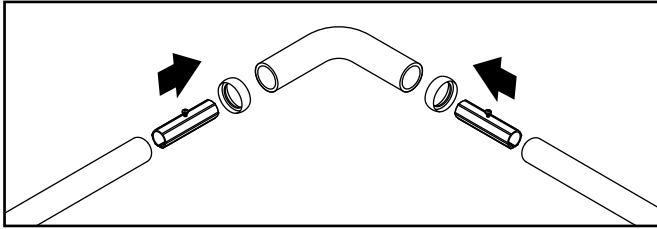
Rail-to-Rail Connections/Internal Connector

NOTE: When rail-to-rail straight connections are used for longer spans, posts must be installed 6' OC max. In addition, a wall mount **MUST** be used at each seam of rail-to-rail connections as close to center of wall mount as possible. If collar is used, this can be offset slightly to allow for the collar to fit.

1. If required, cut railing to proper length.
2. If desired, collar ring can be used to hide seam between rails. Slide ring over rail **BEFORE** inserting rails into internal connector.
3. Slide internal connector into rail end until metal spacer screw is touching either end of rail or collar, if used.
4. Slide second rail over opposite end of internal connector, until it is touching metal spacer screw.
5. Remove metal spacer screw using #2 square-head screwdriver.
6. Push second rail further over internal connector until it fits in the collar (if used) or fits tightly against rail.
7. Attach wall mount to post per previous instructions.
8. Attach rail to wall mount per previous instructions.
9. Use end caps where required.

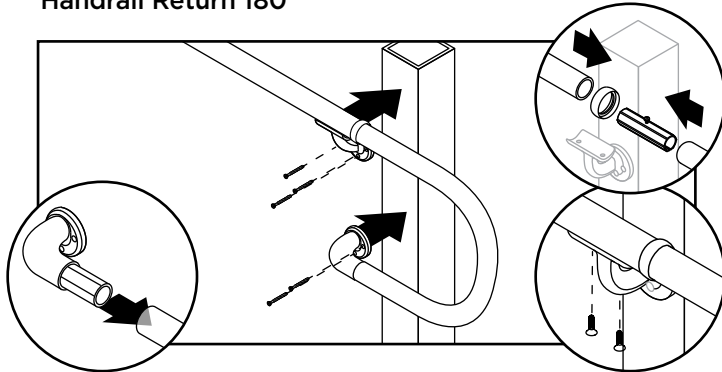
HOW TO INSTALL TREX® ALUMINUM ADA COMPLIANT HANDRAIL/CONTINUED

Elbows (90°, 36°, 34°, 31°, 5°)



1. If required, cut railing to proper length based on location of elbows and other components being used.
2. If desired, collar ring can be used to hide seam of elbow to rail. Slide over rail **BEFORE** inserting rail into elbow.
3. Slide internal connector into rail end until metal spacer screw is touching either end of rail or the collar, if this was used.
4. Slide appropriate angled elbow onto opposite end of internal connector, until it is touching metal spacer screw.
5. Remove metal spacer screw using #2 square head screwdriver.
6. Push elbow further over internal connector until it fits in the collar (if used) or fits tightly against rail.
7. Attach wall mount to post per previous instructions.
8. Attach rail to wall mount per previous instructions.

Handrail Return 180°

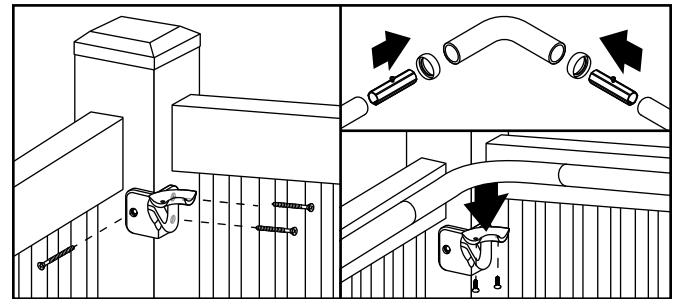


NOTE: Ramp application shown here. (Appropriate angle elbow also required for stair applications.)

1. If required, cut railing to proper length based on location of elbow used as well and other components being used.
2. If desired, collar ring can be used to hide seam of handrail return to rail or elbow being used. Slide this over rail **BEFORE** inserting rail into other component.
3. Ensure that all components are aligned to both wall mount on post as well as location of elbow on rail **BEFORE** attachment.

4. Slide internal connector into appropriate elbow being until metal spacer screw is touching either end of elbow or the collar, if this was used.
5. Attach wall return to lower end of handrail return (longer side), **ENSURING** wall return is at proper angle of alignment to post. (Wall return is designed to have tight fit into rail, thus location of attachment is critical.)
6. Slide opposite end of handrail return onto internal connector, until it is touching metal spacer screw.
7. Remove metal spacer screw using #2 square-head screwdriver.
8. Push handrail return further over internal connector until it fits in the collar (if used) or fits tightly against elbow.
9. Attach wall return to post per previous instructions.
10. Attach rail to wall mount per previous instructions.
11. Use end caps where required.

Corner Mount



1. Pre-drill metal post and install corner post to metal post using specific hardware provided (see chart on previous page).
2. If desired, collar ring can be used to hide seam of elbow to rail. Slide this over rail **BEFORE** inserting rail into elbow.
3. Slide internal connector into rail end until metal spacer screw is touching either end of rail or the collar, if this was used.
4. Slide appropriate angled elbow onto opposite end of internal connector, until this is touching metal spacer screw.
5. Remove metal spacer screw using #2 square-head screwdriver.
6. Push elbow further over internal connector until this fits in the collar (if used) or fits tightly against rail.
7. Install elbow to corner mount using specific hardware provided.