

KIMBALL 1LT Wall Mount

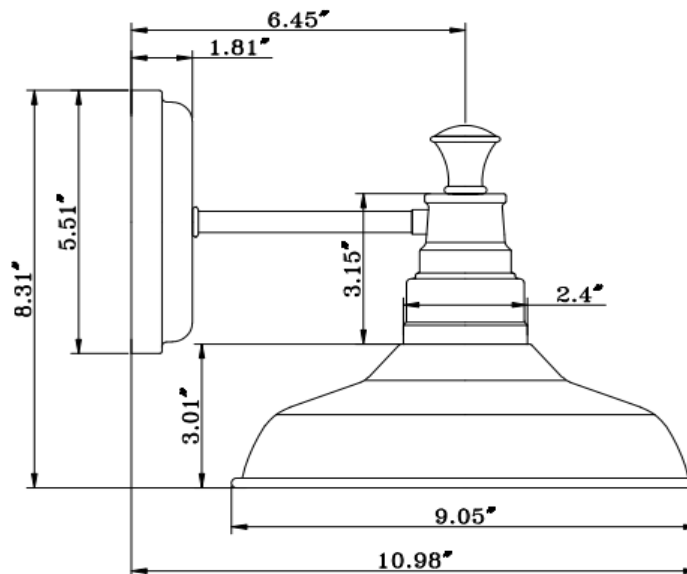


Specifications

Material Construction:	Formed Steel
Lens:	Metal shade
Lens Dimensions:	6 1/8" H x 11" Dia
Lamp Type & Wattage:	One 60W, medium base incandescent lamps (or equivalent)
Mounting:	Wall mounted
Finish:	Galvanized finish
Voltage:	120V
Weight:	1.54 lbs
Companion Fixtures:	Wall mounts, vanity, pendants, semi flush mounts



Dimensions



Warranty & Compliances

Warranty	10 Year Limited Warranty
UL	ETL/cETL listed, suitable for damp locations
ADA	N/A
EnergyStar	N/A



Intertek

Companion Fixtures

KIMBALL 1LT Wall Mount Galvanized	519892
KIMBALL 1LT Wall Mount Textured Coffee Bronze	519900

Type:
Job:
Order Code:
Approvals:

Design House reserves the right to make changes in materials, specifications & models at any time. Design House also reserves the right to discontinue product without notice or obligation.