

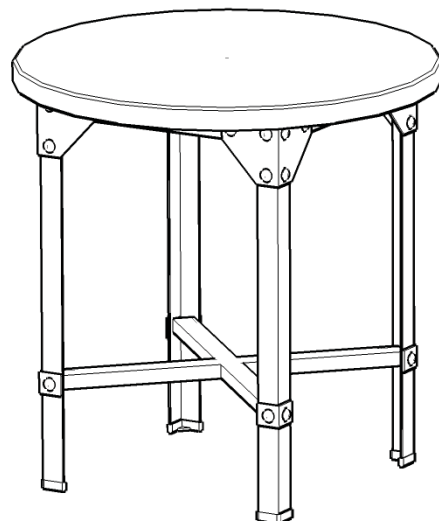
88 5670 34 Round Dining Table

IMPORTANT NOTE

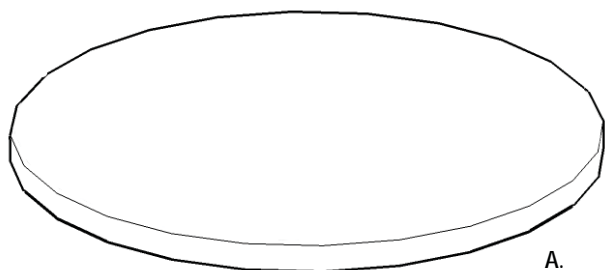
Carefully remove all the parts from the carton and put them individually on a soft cloth to prevent scratches or other damages occurring to the wood parts.

We have taken great care in the design of this product and request that you carefully and strictly follow our assembly instructions to ensure a completed product as it was designed.

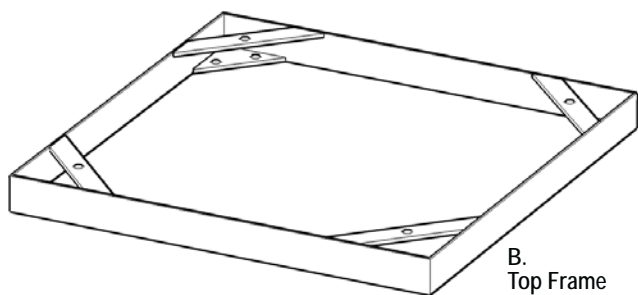
Home
Styles



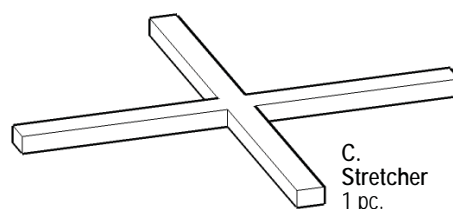
Part List



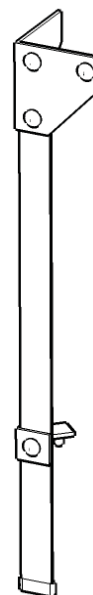
A.
Top
1 pc.



B.
Top Frame
1 pc.



C.
Stretcher
1 pc.



D.
Leg
4 pcs.

Hardware List



Hex Wrench
1 pc.



Small
Hex Wrench
1 pc.



M8x15
Head Cap Bolt
16 pcs. (+1 extra)

Tools required for assembly : Phillips screwdriver

Home Styles Consumer Assistance: www.homestyles-furniture.com,
servicedesk@homestyles-furniture.com, 888-680-7460, 877-831-0319

IMPORTANT

- * Do not tighten up all the bolts until each part is properly assembled.
- * You should keep Hex Wrench in a safe place as you may need to tighten up the Head Cap Bolts in the future.
- * Use a soft cloth between these parts and the floor.

STEP 1

Attach Legs (D) to Stretcher (C) with Head Cap Bolts. (see Figure 1)

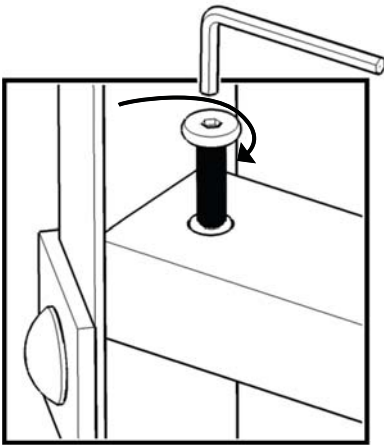
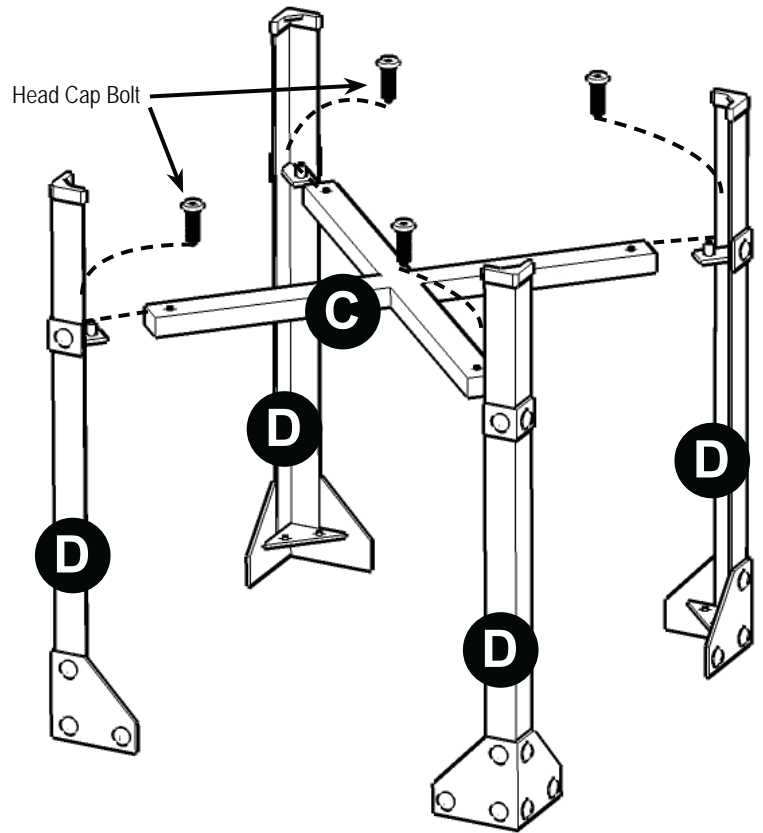
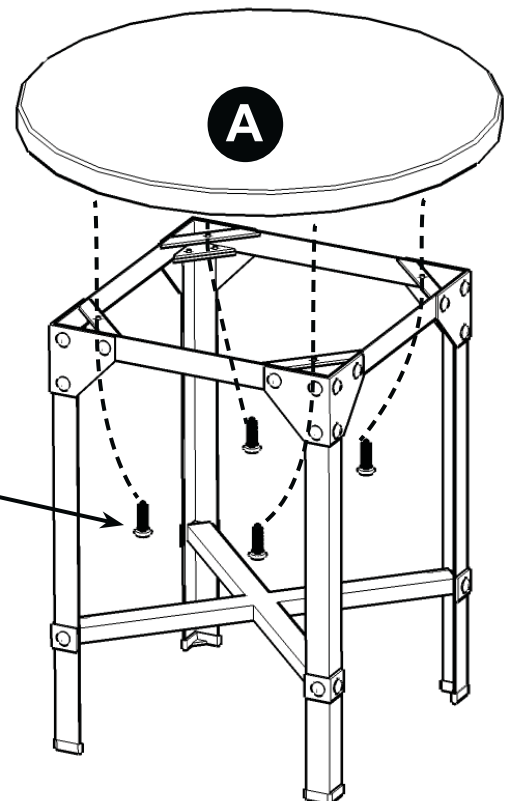


Figure 1



STEP 2

Attach unit to Top Frame (B) with Head Cap Bolts.



STEP 3

Turn unit over to its' upright position.

Attach Top (A) to unit with Head Cap Bolts.