


SPEC SHEET



Commercial Electric's Architectural Series LED Outdoor Security Floodlight is packaged in a robust and stunningly designed die-cast aluminum housing featuring the latest high-performance LED chips providing 85% energy savings.

LED TECHNOLOGY		LIGHTING PERFORMANCE	
FREQUENCY	50-60 HZ		
THD	<20%		
PF	>0.9		
AMBIENT OPERATING RANGE	-20-40°C		
INPUT VOLTAGE	120-277V		
EFFICACY	>100 LM/W		
DRIVER	YG® driver technology		
DRIVER EFFICIENCY	>85%		
STANDARD LIFETIME	>50,000 hours		
STANDARD WARRANTY	5 Years		
WATER PROOFING GRADE	IP66		
WEIGHT	4.55 lbs		
EFFECTIVE PPROJECTED AREA (EPA-ft ²)	0° Aim — 0.238 45° Aim — 0.271 90° Aim — 0.316		
CCT	4000 Kelvins		
DIMENSIONS	7.77" x 5.10" x 8.86"		

LIGHT APPEARANCE (CCT)	
4000K	
	

PRODUCT PERFORMANCE AT A GLANCE

SYSTEM WATTAGE	LED WATTAGE	LUMENS	LP/W	CRI	REPLACES (MH)
20W	18W	2000 lm	100 lm/w	≥80	70W

HOUSING

Single piece die cast aluminum housing, which also acts as a heat sink, designed to ensure high efficacy and abundant cooling by natural convection passive airflow to maximize LEDs and driver performance and life.

OPTICS

Wide beam flood distribution. Optimized to target lumens evenly on target and provide superior lighting uniformity. LEDs and refractor are protected by a heat and impact resistant tempered glass lens.

FINISH

Fade, weather, and abrasion resistant, electrostatically applied, thermally cured, triglycidyl isocyanurate (TGIC) textured polyester powdercoat finish. Paint is dark bronze.

IP RATING & LISTINGS

LED light engine is weather proof rated IP66.

DLC 4.2, cULus, FCC Certified

MOUNTING

Integral die cast aluminum adjustable knuckle with 1/2" NPS male threads, made of a low copper-content aluminum alloy for resistance to corrosion. Has locking teeth and bolt to lock in aiming angle. Ships fully assembled, ready to install.

Mounts to most domed junction box cover plates with center hole or most standard landscape posts.

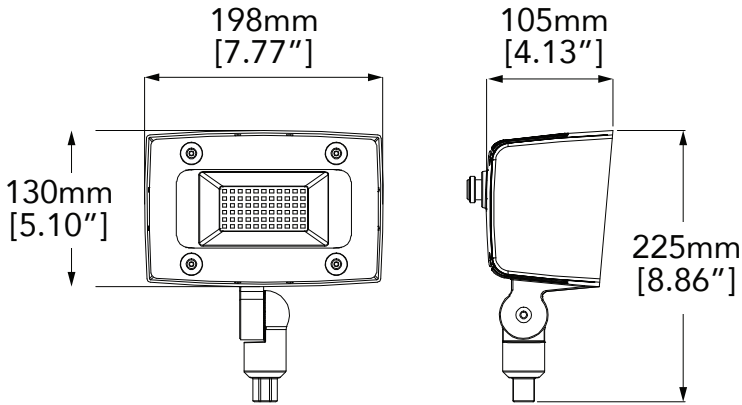
Can be mounted in upward or downward orientation.

APPLICATION

The wide mounting flexibility makes this the ideal light for landscape lighting, building facade and signage, entry ways, garages, corners, building perimeters, architectural wall lighting, loading bays and general illumination.

*All results according to IESNA - LM79-2008
*Light Output reported as total integrated lumens (light source & fixture)

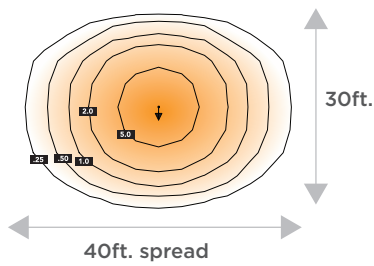
PRODUCT LINE DRAWING



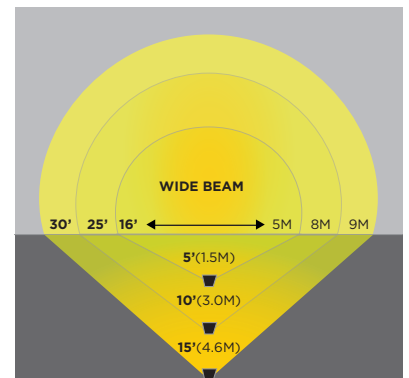
SUGGESTED MOUNTING HEIGHT:
15-30FT. (4.6-9.1M)

2D PHOTOMETRIC VIEW

MOUNTED AT 10FT.



3D PHOTOMETRIC VIEW



APPLICATIONS

