

- LF-049-PDCC Finish(CC)
- LF-049-PDKK Finish(KK)
- LF-049-PDSL Finish(SL)
- LF-049-PDYY Finish(YY)

Specifications

- Adjustable Install
- Push & Seal™ Pop-Up
- Pforever Seal

Features

- 1.2 GPM Flow Rate
- Mounting Hardware Included
- Quick Install Tool Included
- Pfast Connect
- Metal Lever Handles
- 3-Hole Installation
- High Arc Spout
- TiteSeal™
- Audible Indicators
- Color Coded Connections
- Push & Seal™ Pop-Up
- Pforever Seal Ceramic Disc Valves
- Pforever Warranty®

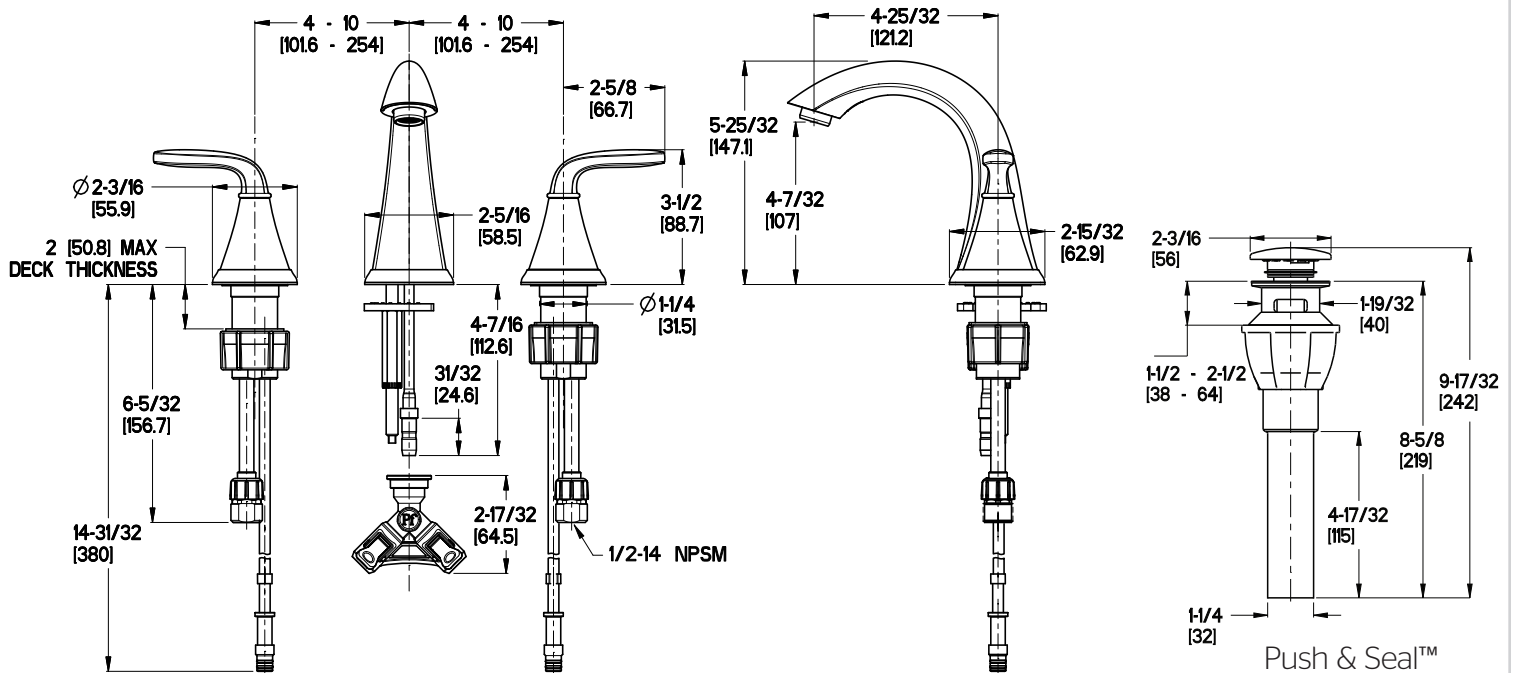
Code Compliance

Pfister products are designed and manufactured in compliance with the following standards and codes:

- IAPMO Certified
- CSA B125 Certified
- ASME A112.18.1
- NSF 61/9 Annex G (Low lead)
- Cal Green Compliant
- CEC Compliant
- EPA WaterSense Certification 1.2 gpm, 4.5 L/Min
- ADA Compliant-ANSI A117.1 (Lever handles only)



Dimensions



Ø1-1/4 Min to Ø1-1/2 Max. Deck Hole Openings