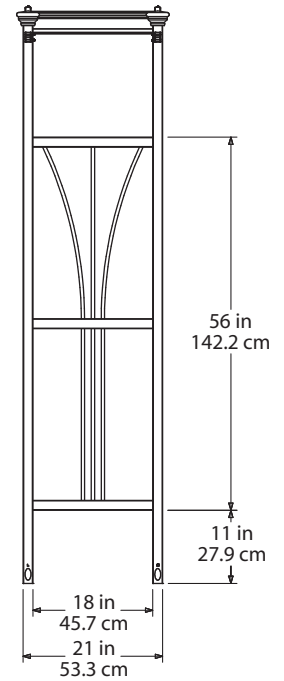
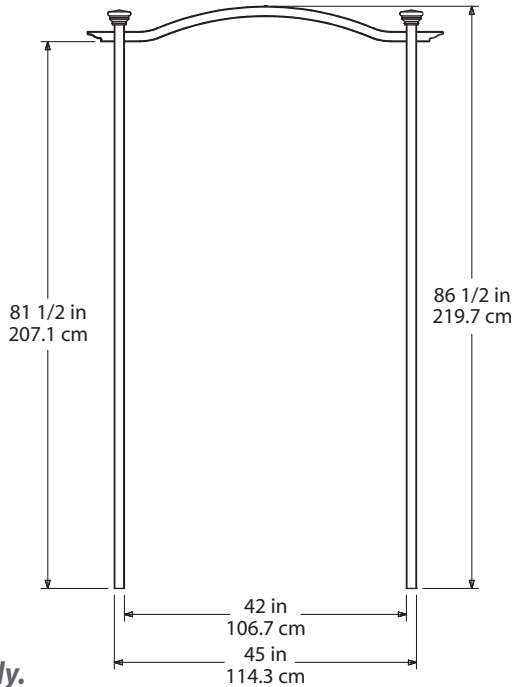
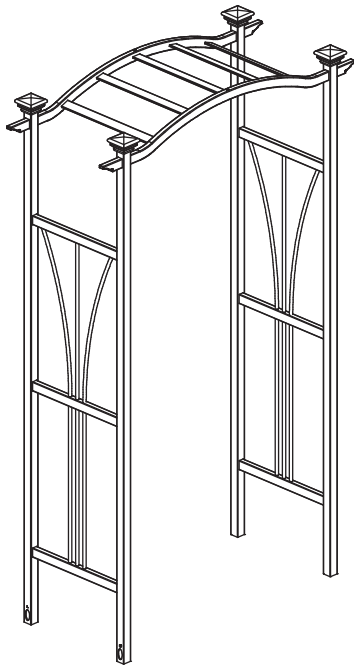


The London Arbor



Please read through before starting assembly.

IMPORTANT: CHECK THE INSIDE OF YOUR POSTS FOR ALL MATERIALS.

Check Box for These Contents

In the event of missing or defective parts please call our customer service dept. at **1 800 282 9346, ext #20** (Mon. to Fri. 8:00 AM to 4:00 PM EST).

1. Arches (2)
2. Arch Rafters (5)
3. Post Caps (4)
4. Left Posts (2)
5. Right Posts (2)
6. Side Panel Top Horizontal Rails (2)
7. Side Panel Bent Vertical Spindles (4) 56.448 in.
8. Side Panel Middle Straight Vertical Spindles (2) 55.375 in.
9. Side Panel Middle Horizontal Rail (2)
10. Side Panel Bottom Horizontal Rail (2)
11. Ground Anchoring Stakes (4)
12. 1 1/4 in (3.17cm) Self Augering Screws (34)

Tools You Will Need

- Cordless Drill
- Level
- Stool or Short Ladder
- Shovel

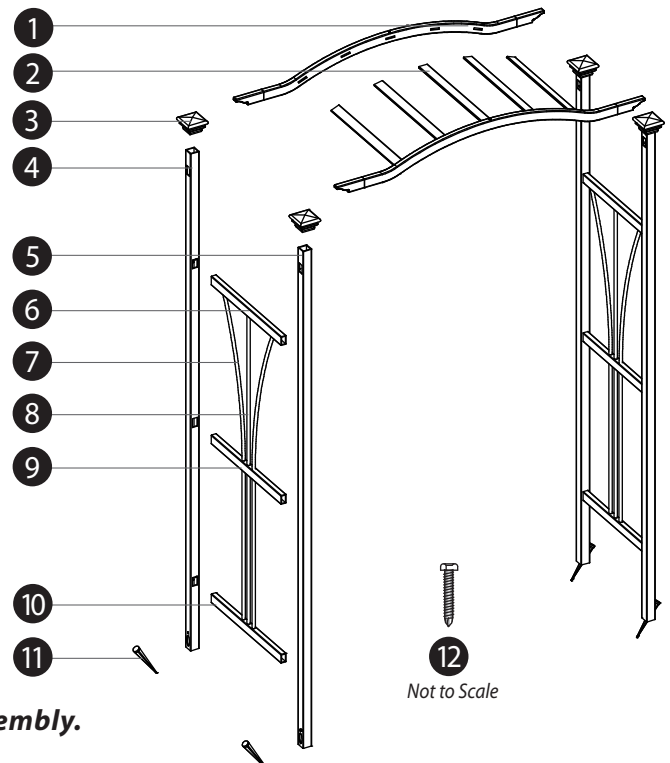
Assembly Time

- Approximately 30 minutes (2 People)

General Information

Read Instructions through carefully before beginning assembly.

- When assembling components, place on a non-abrasive surface (i.e. shipping box) to avoid scratching.
- We recommend an area approx 10 ft. x 8 ft. for unobstructed assembling.
- You should not need to use excessive force when assembling components.



STEP ONE

Assemble the Arch System

PLEASE NOTE:

Arch rafters have locking tabs located at both ends. Once inserted and pushed into the routed holes they will lock into place permanently.

1

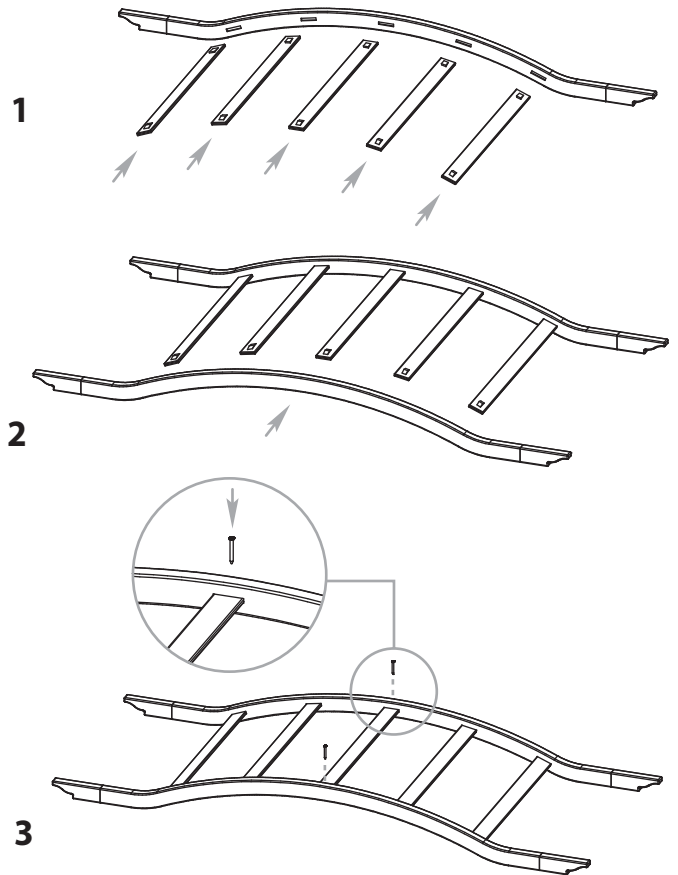
Layout one arch and insert the five arch rafters as illustrated.

2

Holding the opposite arch, guide the arch rafters into the routed holes as illustrated.

3

Fasten the arches to the top rafter using 1 1/4 in (3.17cm.) screws as illustrated.



STEP TWO

Assemble the Side Panels

1

Layout the Side Panel Bottom Horizontal Rail and insert the Middle STRAIGHT Vertical Spindle (slightly shorter than the two outer vertical spindles that will be bent into place).

2

Insert the two vertical spindles that will be BENT into place (slightly longer than middle vertical spindle).

3

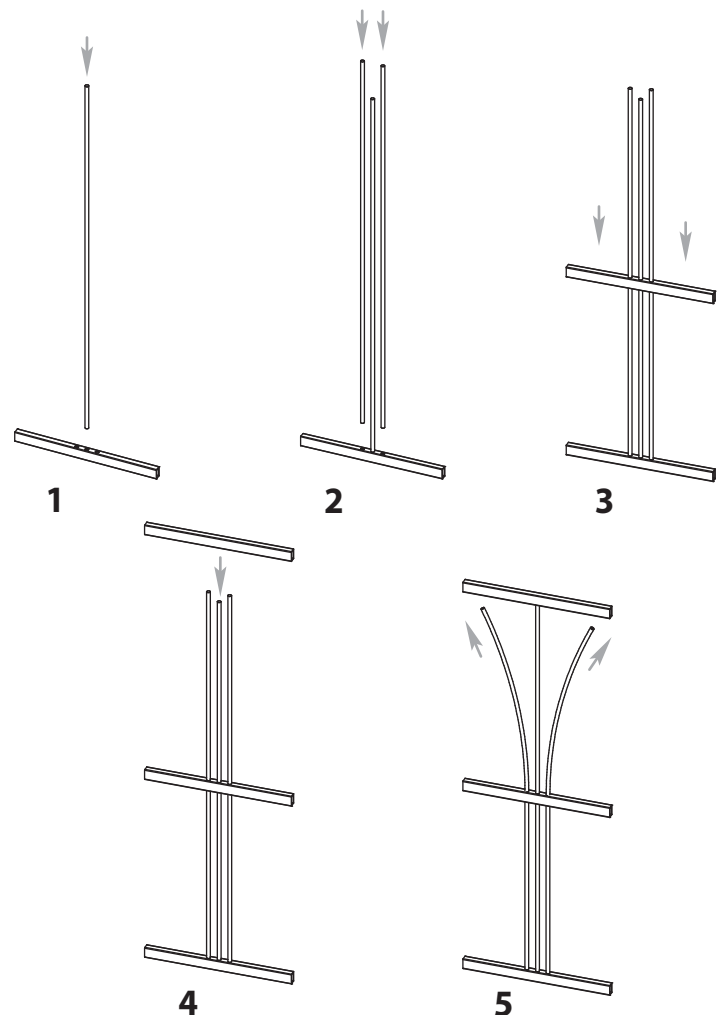
Slide the Side Panel Middle Horizontal Rail over the three vertical spindles to about the middle of the vertical spindles.

4

Position the Side Panel Top Horizontal Rail and insert the Middle Vertical Spindle.

5

Tension bend into place the two outer vertical spindles. The assembled side panel will need to be held together until it is inserted into the post.



(Continued on following page...)

6

Layout one LEFT post (as identified) horizontally with holes facing up and insert the assembled side panel by aligning the horizontal rails with the holes on the post. Large hole for ground anchoring needs to be at the bottom.

7

Layout one RIGHT post (as identified) horizontally with holes facing up and insert the assembled side panel and post into. Large hole for ground anchors needs to be at the bottom.

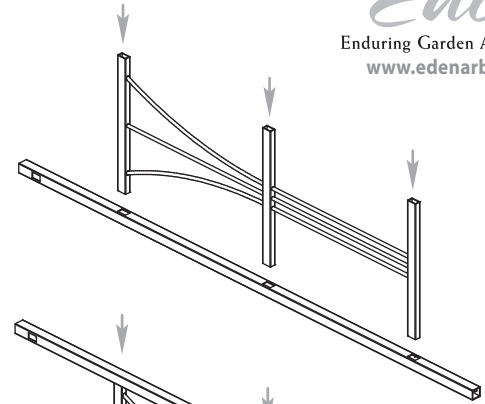
8

Fasten the side panel to the posts by using 1 1/4 in (3.17cm.) screws into the posts as illustrated. Ensure that all horizontal rails on side panel "bottom out" inside the posts prior to screwing together.

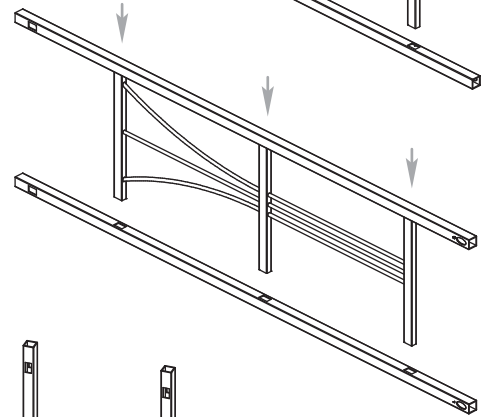
9

Repeat as necessary for other side panel.

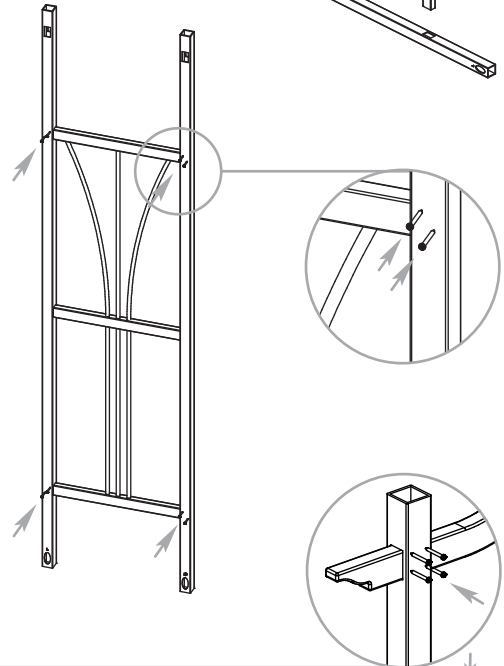
6



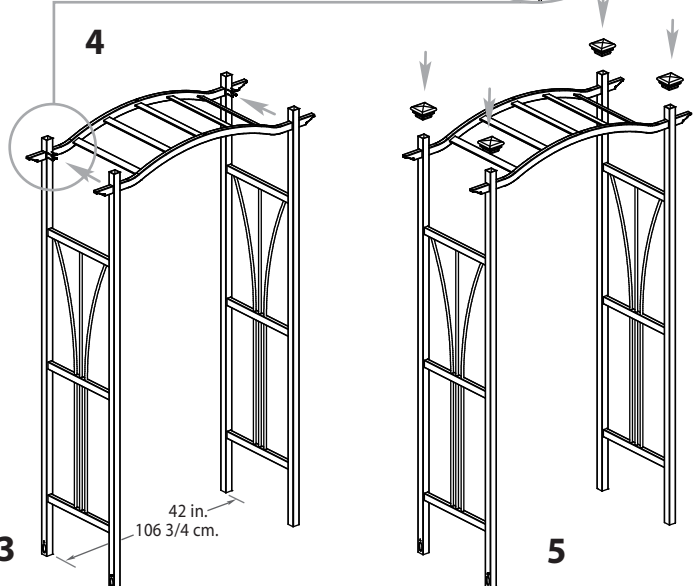
7



8



4



STEP THREE

Connect Arch System to Side Panels

1

Set out one side panel ensuring that holes at the bottom of the posts face outwards. Insert the assembled arch through the holes at the top of the posts.

2

Do the same for the other side panel. Ensure the holes at the bottom of the posts face outwards. You will need a helper.

3

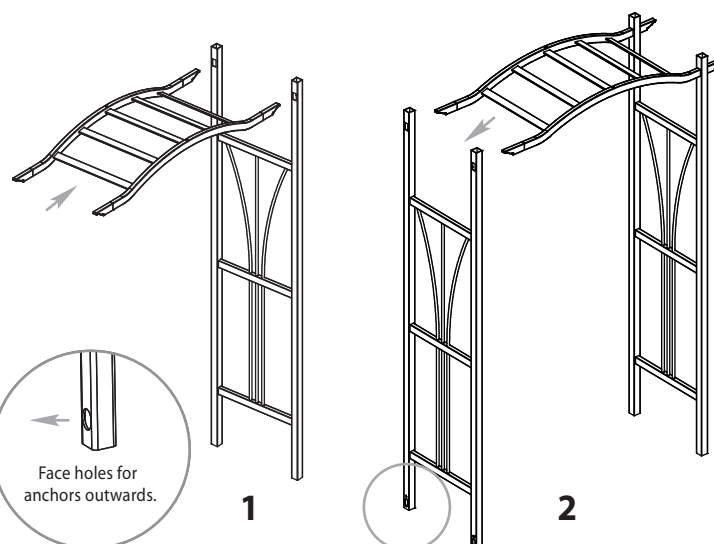
Adjust the opening to 42 in. (106.7cm) between the posts (arbor allows for minor variance if you desire a smaller or larger opening).

4

Fasten the arch system to the posts by installing four screws as illustrated at each post.

5

Place post caps on top of posts.



STEP FOUR

Temporary Arbor Installation

Arbors must be well secured to prevent tipping over from wind load etc. We have provided four ground anchors for securing the arbor in a temporary application like a wedding, etc. These anchors are not designed to permanently mount your arbor.

If you are installing your arbor on concrete or a wood deck, visit your hardware store to purchase the appropriate galvanized bracketing hardware.

A Into Earth for Temporary Installation

1

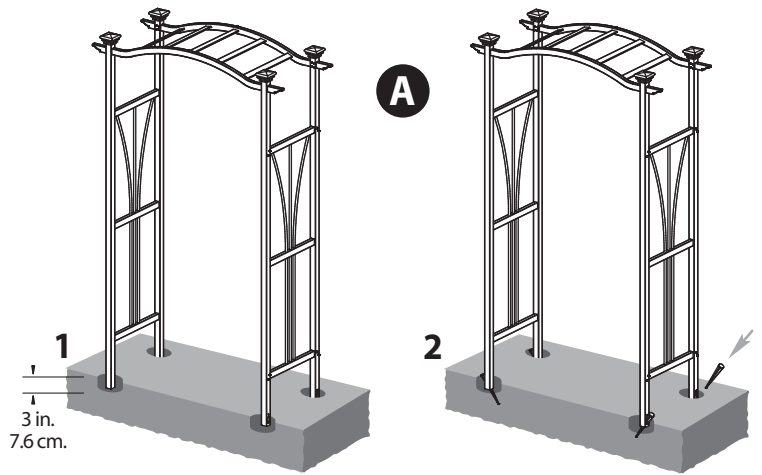
Move the arbor to its final location (you will need a helper). When you are satisfied with the location, mark the positions of the posts, then move the arbor aside and lay it carefully on its side. Excavate 4 holes approx 3 in. (7.6 cm.) deep. Carefully move the arbor back into position and level it both vertically and horizontally.

2

Drive the four ground anchoring stakes through the oval hole at the bottom of the posts in the ground.

3

Backfill the holes with the excavated soil to cover the anchors.



B Into Earth For Permanent Installation STRONGLY RECOMMENDED

1

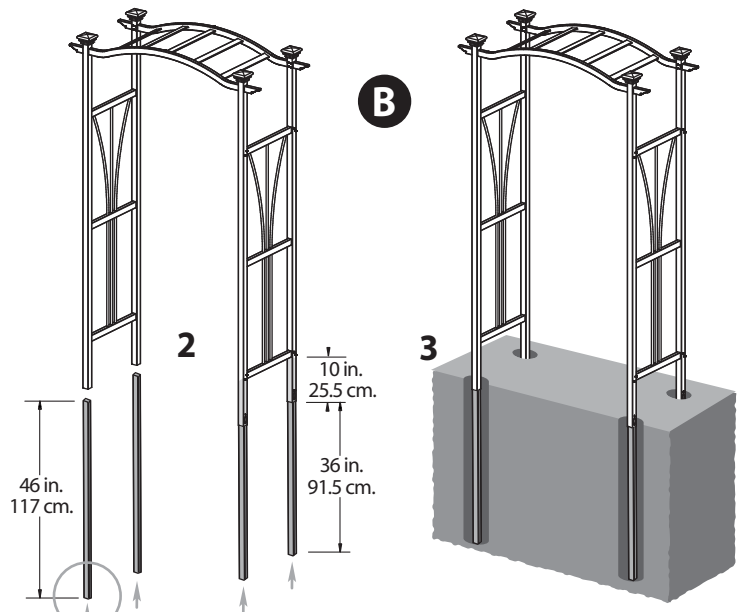
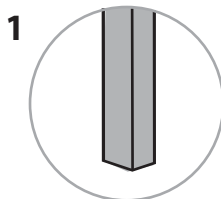
To permanently install your arbor more securely, extend the posts as illustrated with pressure-treated lumber - **purchase separately**. Wood will have to be shaved down to 1 1/4 in. x 1 1/4 in. (3.12 cm. x 3.12 cm.) and cut to 46 in. (116.9 cm.) in length to fit up the inside of the vinyl posts.

2

Insert into the bottom of all four posts until they hit the bottom rail of side panel. The wood should extend out the bottom of the vinyl post about 36 in. (91.5 cm.).

3

Fasten accordingly with screws and install either directly into the ground or into a concrete footing.



Wood inserts will need to be custom cut down to size:
1 1/4 in. x 1 1/4 in. (3.12 cm. x 3.12 cm.). **Purchase separately.**

EdenTM

Enduring Garden Architecture