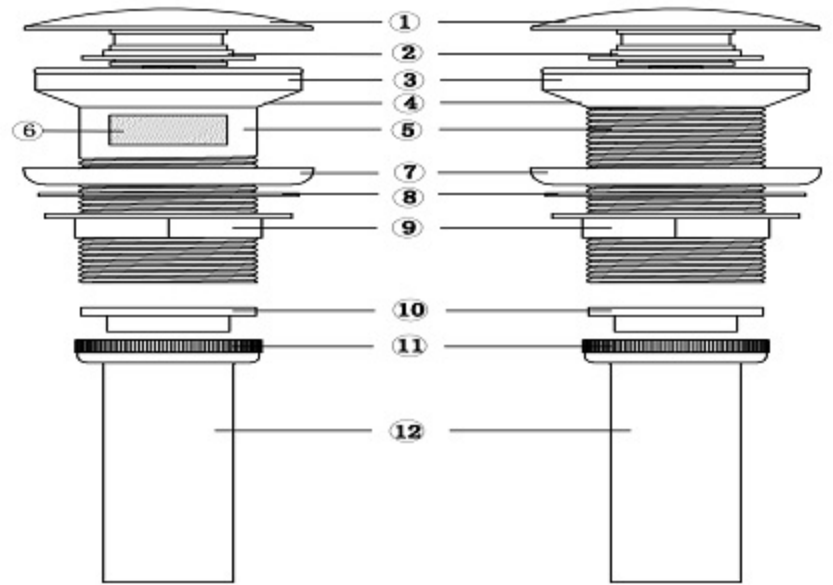


1-1 Installation Sketch

With Overflow

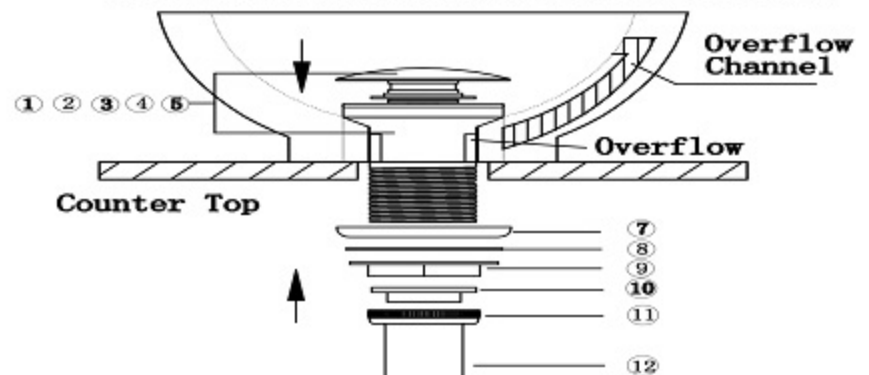
Without Overflow



- | | |
|------------------|---------------------|
| ① Drain Cap | ⑦ Silicon Gasket |
| ② Silicon Gasket | ⑧ Plastic Washer |
| ③ Sponge Gasket | ⑨ Brass Locking Nut |
| ④ Silicon Gasket | ⑩ Rubber Gasket |
| ⑤ Drain Body | ⑪ Locking Nut |
| ⑥ Overflow | ⑫ Tail Pipe |

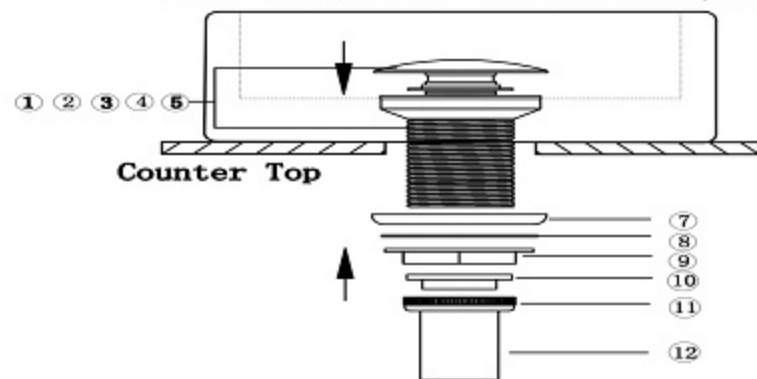
1-2 Installation Steps

Vessel Sink/Drain Installation(Overflow)



Installation as shown in the figure

Vessel Sink/Drain Installation(non-Overflow)



Installation as shown in the figure