



**Wellworth® Classic**  
 The Complete Solution® Toilet  
**K-11464**

**Features**

- Vitreous china
- Regular Height Round-front bowl.
- Class Five® flushing system.
- Includes left-hand polished chrome trip lever.
- 1.28 gpf (4.8 lpf).
- 2-1/8" (54 mm) glazed trapway.
- 12" (305 mm) rough-in.
- Less supply.
- Includes Seat.
- 10-1/2" (267 mm) x 7-3/4" (197 mm) water area.
- 27-1/2" (699 mm) x 19-5/8" (498 mm) x 28-1/4" (718 mm).
- Floor Mount / Floor Outlet.



**Optional Accessories**

- K-7637 Angle Supply with Stop (single)
- K-76923 Round Toilet Seat with Manual Cleansing

**Components**

Product includes:  
 K-4436 Toilet Tank  
 K-4197 Round-Front Bowl  
 K-4775 Toilet Seat  
 Additional included component/s: Tank cover, Trip Lever, Wax Ring, and Hardware Kit.



**Codes/Standards**

ASME A112.19.2/CSA B45.1  
 DOE - Energy Policy Act 1992  
 EPA WaterSense®  
 California Energy Commission (CEC)

**KOHLER® One-Year Limited Warranty**

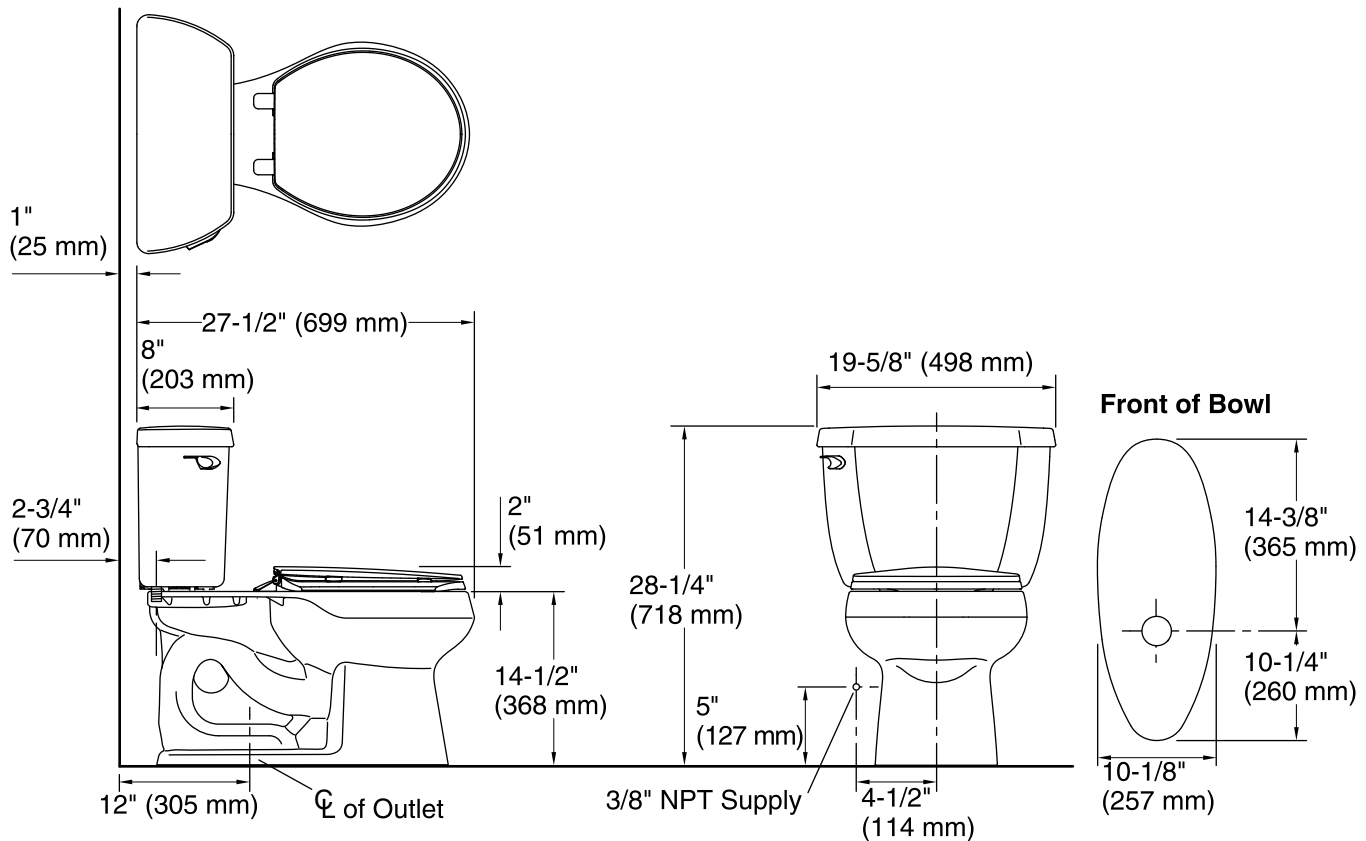
See website for detailed warranty information.

**Available Color/Finishes**

*Color tiles intended for reference only.*

**Color Code Description**

Color	Code	Description
	0	



### Technical Information

All product dimensions are nominal.

Toilet type:	Two-piece
Bowl shape:	Round front
Trap passageway:	2-1/8" (54 mm)
Water Consumption	
Full:	1.28 gpf (4.8 lpf)
Water surface size:	10-1/2" x 7-3/4" (267 mm x 197 mm)
Rim to water surface:	5-1/4" (133 mm)
Seat-mounting holes:	5-1/2" (140 mm)

### Notes

Install this product according to the installation instructions.