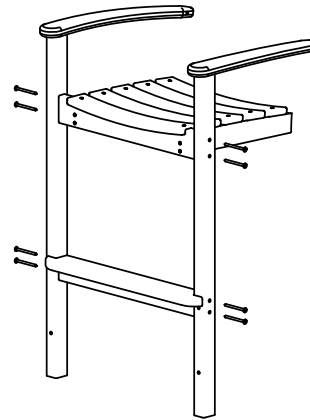


Trex® Outdoor Furniture™

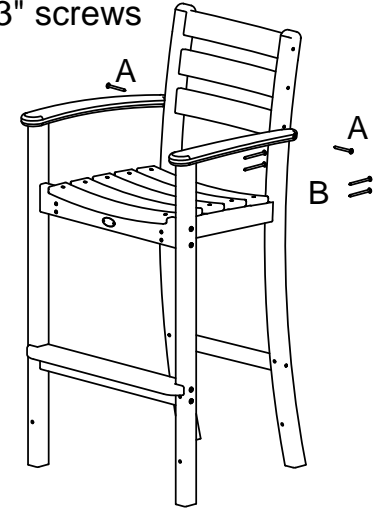
Assembly Instructions Model: TXD202

Step 1
Attach legs to the seat assembly
and footrest with (8) 3" screws



- (1) Seat assembly
- (2) Front leg with arm (LH/RH)
- (1) Back leg assembly
- (1) Foot rest
- (2) Short brace (LH/RH)
- (2) Long brace (LH/RH)
- (1) Hardware pack

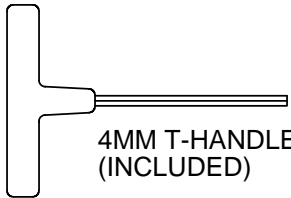
Step 2
Attach arms to back leg assembly
using (2) 2½" screws
Attach back leg assembly to seat assembly
using (4) 3" screws



Step 3
Attach braces between the front and back
legs with the remaining (8) 3" screws.

Note: Compound angle cut on brace
should be attached to the back leg

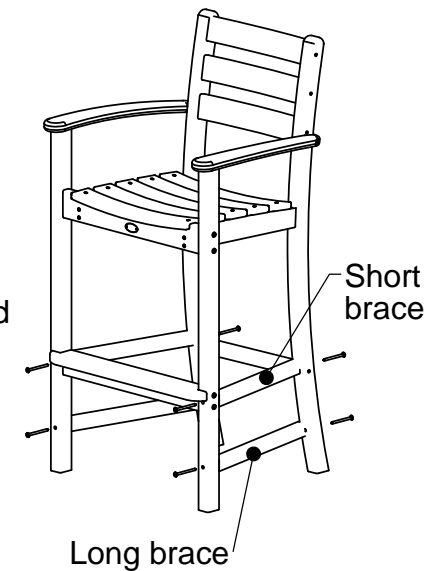
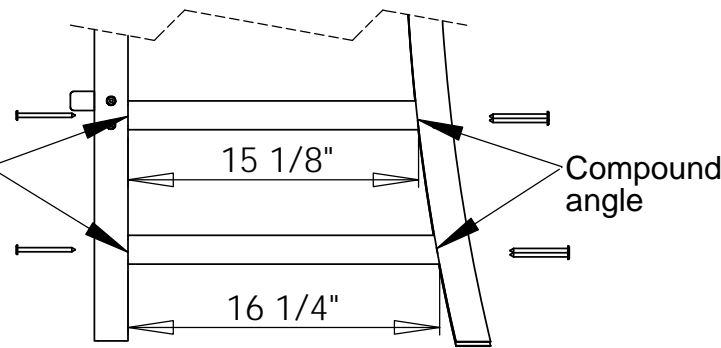
TOOLS NEEDED



4MM T-HANDLE HEX KEY
(INCLUDED)

| Qty. | Description |
|------|----------------------------------|
| 2 | A - .27 X 2 1/2 SOCKET WAFER "A" |
| 20 | B - .27 X 3 SOCKET WAFER "A" |

12° Straight angle cut



ALL HARDWARE IS COATED STAINLESS STEEL

6/2/2011

Trex® Outdoor Furniture™

Assembly Instructions

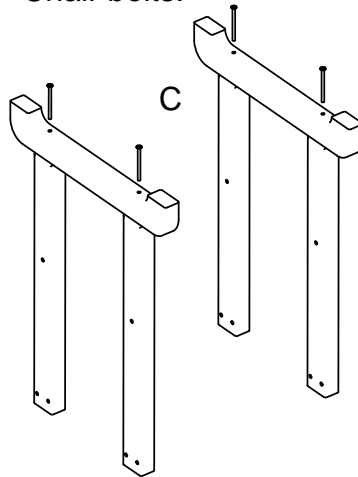
Models:

TXRT248, TXRCT248
TXRRT248, TXRBT248

- (1) Table top
- (4) Leg
- (2) Foot
- (2) Brace
- (1) Hardware pack

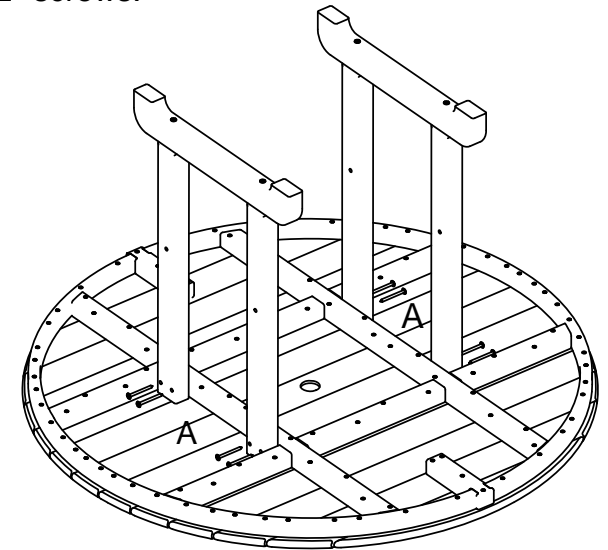
Step 1

Attach feet to legs using
(4) 3 1/4" Chair bolts.

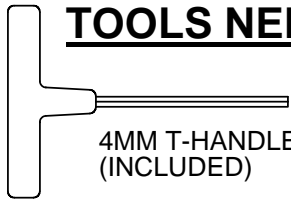


Step 2

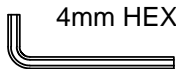
Lay the table top on a flat surface.
Attach the leg assemblies to the table top using
(8) 2 1/2" screws.



TOOLS NEEDED



4MM T-HANDLE HEX KEY
(INCLUDED)

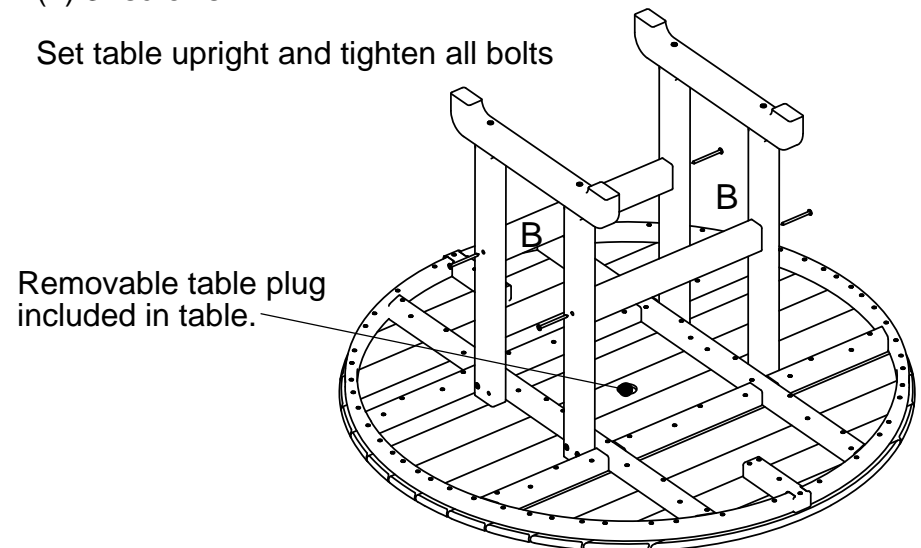


4mm HEX KEY: INCLUDED

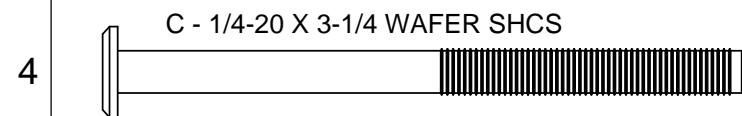
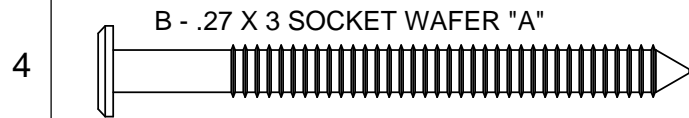
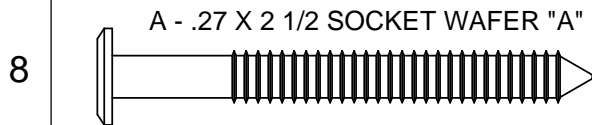
Step 3

Attach leg braces using
(4) 3" screws.

Set table upright and tighten all bolts



| Qty. | Description |
|------|----------------------------------|
| 8 | A - .27 X 2 1/2 SOCKET WAFER "A" |
| 4 | B - .27 X 3 SOCKET WAFER "A" |
| 4 | C - 1/4-20 X 3-1/4 WAFER SHCS |



ALL HARDWARE IS COATED STAINLESS STEEL

6/2/2011