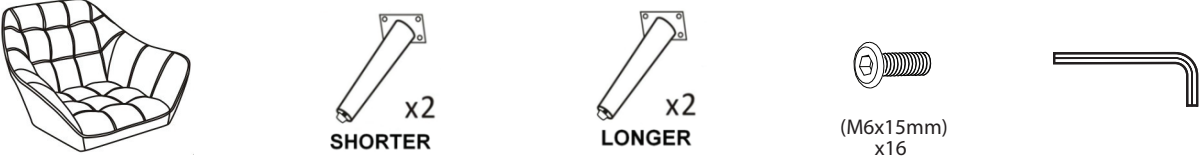


# Boulder Lounge Chair

Part # CH-BOULDER XX+XX

18-0412

**PARTS**



A

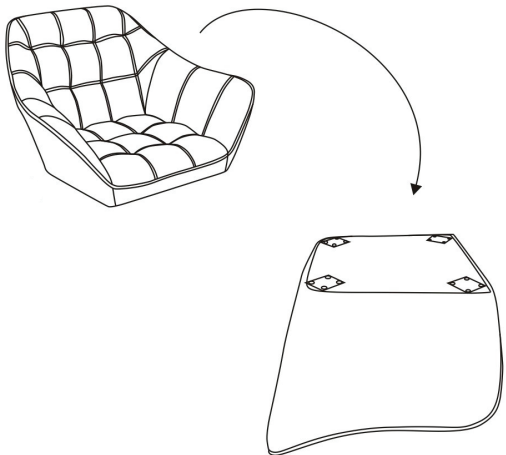
B x2 SHORTER

C x2 LONGER

D (M6x15mm) x16

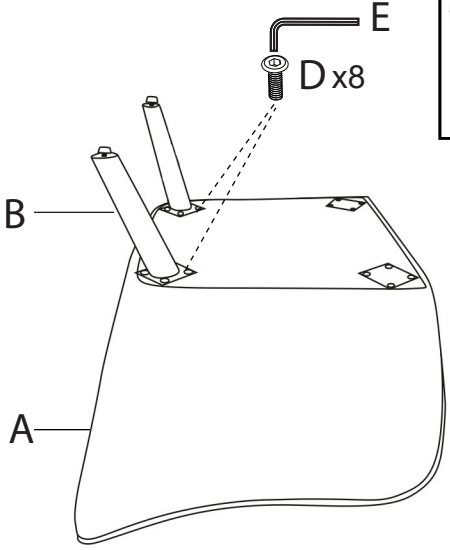
E

**1**



A

**2**



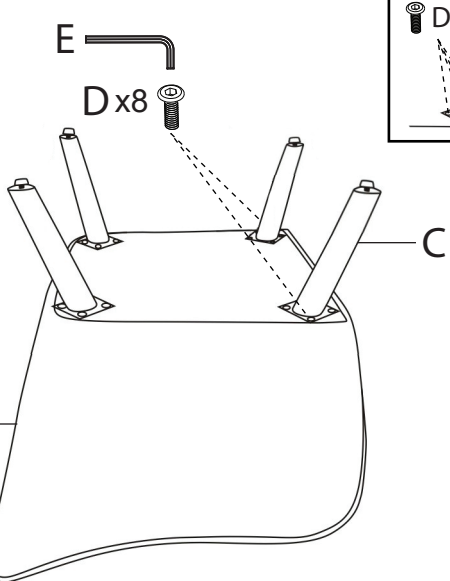
B

A

Dx8

E

**3**



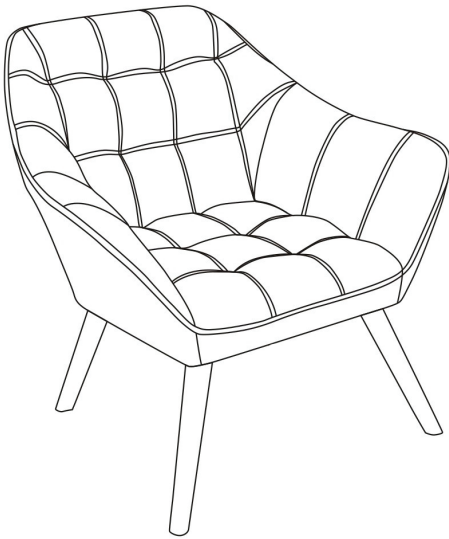
E

Dx8

C

A

**4**



Adjust foot screws to level



Do not over tighten.  
 Do not use power tools to assemble.