

# 60087



# 7" WET TILE SAW

## OWNER'S MANUAL and Parts List



### CAUTION!

Read and follow all safety and operating instruction before using this saw



Q.E.P. CO., INC.  
1081 Holland Drive  
Boca Raton, FL 33487  
[www.qep.com](http://www.qep.com)

**60087**

**7” WET TILE SAW  
OWNER’S MANUAL**

**! CAUTION !**

**READ AND FOLLOW ALL SAFETY AND OPERATING  
INSTRUCTIONS BEFORE USING THIS TILE SAW**

**CONTENTS**

SAFETY INSTRUCTIONS FOR TILE SAW.....	1
WARNING / ELECTRICAL REQUIREMENTS.....	2-3
SAFETY GUIDELINES.....	4
FEATURES OF THE TILE SAW.....	4
ASSEMBLY & SET UP.....	5-6
ELECTRICAL & MOTOR SPECIFICATIONS.....	7
EXPLODED VIEW.....	8
PARTS LIST.....	9

# SAFETY INSTRUCTIONS FOR TILE CUTTER

- KEEP GUARDS IN PLACE and in working order.
- REMOVE ADJUSTING KEYS AND WRENCHES. Form habit of checking to see that keys and adjusting wrenches are removed from tool before turning it on.
- KEEP WORK AREA CLEAN. Cluttered areas and benches invite accidents.
- DON'T USE IN DANGEROUS ENVIRONMENT. Don't use power tools in damp or wet locations, or expose them to rain. Keep work area well lighted.
- KEEP CHILDREN AWAY. All visitors should be kept safe distance from work area.
- MAKE WORKSHOP KID PROOF with padlocks, master switches, or by removing starter keys.
- DON'T FORCE TOOL. It will do the job better and safer at the rate for which it was designed.
- USE RIGHT TOOL. Don't force tool or attachment to do a job for which it was not designed.
- WEAR PROPER APPAREL. Do not wear loose clothing, gloves, neckties, rings, bracelets, or other jewelry which may get caught in moving parts. No slip footwear is recommended. Wear protective hair covering to contain long hair.
- ALWAYS USE SAFETY GLASSES. Also use face or dust mask if cutting operation is dusty. Everyday eyeglasses only have impact resistant lenses, they are NOT safety glasses.
- SECURE WORK. Use clamps or a vise to hold work when practical. It's safer than using your hand and it frees both hands to operate tool.
- DON'T OVERREACH. Keep proper footing and balance at all times.
- MAINTAIN TOOLS WITH CARE. Keep tools sharp and clean for best and safest performance. Follow instructions for lubricating and changing accessories.
- DISCONNECT TOOLS before servicing; when changing accessories, such as blades, bits, cutters, and the like.
- REDUCE THE RISK OF UNINTENTIONAL STARTING. Make sure switch is in off position before plugging in.
- USE RECOMMENDED ACCESSORIES. Consult the owner's manual for recommended accessories. The use of improper accessories may cause risk of injury to persons.
- NEVER STAND ON TOOL Serious injury could occur if the tool is tipped or if the cutting tool is unintentionally contacted.
- CHECK DAMAGED PARTS. Before further use of the tool, a guard or other part that is damaged should be carefully checked to determine that it will operate properly and perform its intended function – check for alignment of moving parts, binding of moving parts, breakage of parts, mounting, and any other conditions that may affect its operation. A guard or other parts that is damaged should be properly repaired or replaced.
- DIRECTION OF FEED. Feed work into a blade or cutter against the direction of rotation of the blade or cutter only.
- NEVER LEAVE TOOL RUNNING UNATTENDED. TURN POWER OFF. Don't leave tool until it comes to a complete stop.
- POSITIONING OF TILE SAW ( See Illustration 1)
  - A. To avoid the possibility of the appliance plug or receptacle getting wet, position the tile saw to one side of a wall-mounted receptacle to prevent water from dripping onto the receptacle or plug. The user should arrange a "drip loop" in the cord connecting the saw to a receptacle. The "drip loop" is that part of the cord below the level of the receptacle, or connector if an extension cord is used, to prevent water traveling along the cord and coming in contact with the receptacle.
  - B. If the plug or receptacle does get wet, DO NOT unplug the cord. Disconnect the fuse or circuit breaker that supplies power to the tool. Then, unplug and examine for presence of water in the receptacle.

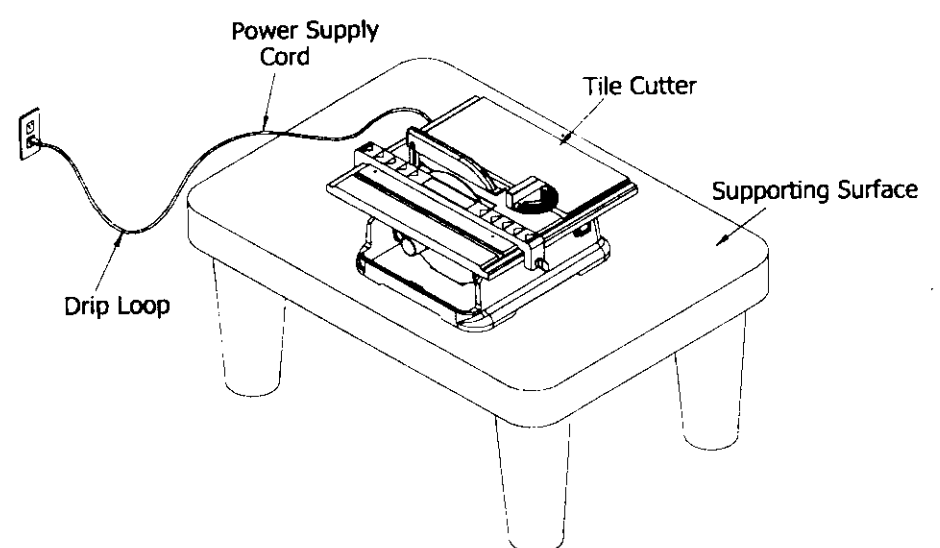


Illustration 1

# **WARNING**

## **For Your Own Safety Read Instruction Manual Before Operating Saw**

- Wear eye protection.
- Use splash hood for every operation for which it can be used.
- Disconnect saw before servicing, when changing cutting wheels, and cleaning.
- Use tool only with smooth edge cutting wheels free of openings and groves.
- Replace damaged cutting wheel before operating.
- Do not fill water bathe above water fill line.

# **ELECTRICAL REQUIREMENTS**

- **CONNECTING TOOL TO POWER SOURCE OUTLET.** This machine source must be grounded while in use to protect the operator from electrical shock.
- In the event of a malfunction or breakdown, grounding provides a path of least resistance for electrical current to reduce the risk of electrical shock. This tool is equipped with an electric cord having equipment grounding conductor and a grounding plug. The plug must be plugged into a matching outlet that is properly installed and grounded in accordance with all local codes and ordinances.
- Do not modify the plug provided if it will not fit the outlet. Have the proper outlet installed by a qualified electrician.
- Improper connection of the equipment-grounding conductor can result in a risk of electric shock. The conductor with insulation having an outer surface that is green (with or without yellow stripes) is the equipment-grounding conductor. If repair or replacement of the electric cord or plug is necessary, do not connect the equipment – grounding conductor to a live terminal.
- Check with a qualified electrician or service personnel if the grounding instructions are not completely understood, or if in doubt as to whether the tool is properly grounded.
- Use only 3-wire extension cords that have 3-prong grounding plugs and 3-pole receptacles that accept the tool's plug.
- Repair or replace damaged or worn cord immediately.
- To avoid the possibility of the appliance plug or receptacle getting wet, position tile saw to one side of a wall mounted receptacle to prevent water from dripping onto the receptacle or plug. The user should arrange a "drip loop" in the cord connecting the saw to a receptacle. The "drip loop" is that part of the cord below the level of the receptacle, or the connector if an extension cord is used, to prevent water traveling along the cord and coming in contact with the receptacle.
- If the plug or receptacle does get wet, DON'T unplug the cord. Disconnect the fuse or circuit breaker that supplies power to the tool. Then unplug and examine for presence of water in the receptacle.
- Only UL Listed extension cords should be used with this product.
- Improper use of extension cords may cause inefficient operation of your tool, which can result in overheating. Be sure your extension cord is rated to allow sufficient current flow to the motor. For the proper gauge for your tool, see chart.
- Do not let your fingers touch the terminals of plug when installing or removing the plug to or from the outlet.
- If not properly grounded, this power tool can incur the potential hazard of electrical shock particularly when used in damp locations or in proximity to plumbing. If an electrical shock occurs, there is the potential of a secondary hazard such as your hands contacting the saw blade.

## USE PROPER EXTENSION CORD

Make sure your extension cord is in good condition and is a 3-wire extension cord which has a 3-prong grounding type plug and a 3-pole receptacle which will accept the tool's plug. When using an extension cord, be sure to use one heavy enough to carry the current of the tool. An undersized cord will cause a drop in line voltage resulting in loss of power and overheating. Table below shows the correct size to use depending on cord length. If in doubt, use the next heavier gage.

The smaller the gage number, the heavier the cord.

Ampere Rating		Volts	Total length of cord in feet			
		120V	25 ft.	50 ft.	100 ft.	150 ft.
More Than	Not More Than	AWG				
0	6	18	16	16	14	14
6	10	18	16	16	14	14
10	12	16	16	16	14	14
12	16	14	12	Not Recommended		

Ground Fault Interrupter (GFCI) protection should be provided on the circuit(s) or outlet(s) to be used for the tile saw. Receptacles that have built-in GFCI protection are available any may be used for this measure of safety.

## GROUNDING INSTRUCTIONS

### A. All grounded, cord-connected tools:

In the event of a malfunction or breakdown, grounding provides a path of least resistance for electric current to reduce the risk of electric shock. This tool is equipped with an electric cord having an equipment-grounding conductor and grounding plug. The plug must be plugged into a matching outlet that is properly installed and grounded in accordance with all local codes and ordinances.

Do not modify the plug provided – if it will not fit the outlet, have the proper outlet installed by a qualified electrician.

Improper connection of the equipment-grounding conductor can result in a risk of electric shock. The conductor with insulation having an outer surface that is green with or without yellow stripes is the equipment-grounding conductor. If repair or replacement of the electric cord or plug is necessary, do not connect the equipment-grounding conductor to a live terminal.

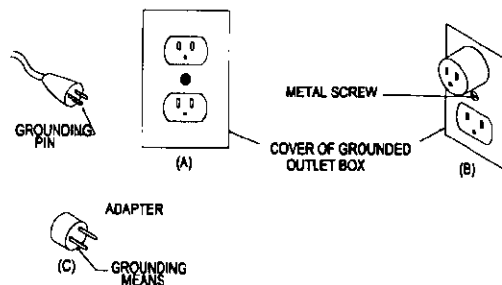
Check with a qualified electrician or service personnel if the grounding instructions are not completely understood, or if in doubt as to whether the tool is properly grounded.

Use only 3-wire extension cords that have 3-prong grounding plugs and 3-pole receptacles that accept the tool's plug.

Repair or replace damaged or worn cord immediately.

B. Grounded, cord-connected tools intended for use on a supply circuit having a nominal rating less than 150 volts: This tool is intended for use on a circuit that has an outlet that looks like the one shown in Sketch A in Illustration 2. The tool has a grounding plug that looks like the plug illustrated in Sketch A in Illustration 2. A temporary adapter, which looks like the adapter shown in Sketch B in Illustration 2, may be used to connect this plug to a 2-pole receptacle as shown in Sketch B in Illustration 2 if a properly grounded outlet is not available. The temporary adapter should be used only until a properly grounded outlet can be installed by a qualified electrician. The green-colored rigid ear, lug, and the like, extending from the adapter must be connected to a permanent ground such as properly grounded outlet box.

Illustration 2  
Grounding Methods



## **SAFETY GUIDELINES**

**READ THIS OWNER'S MANUAL COMPLETELY AND MAKE SURE YOU UNDERSTAND ALL SAFETY GUIDELINES.**

- ❖ Make sure the power switch on your tile saw is in the "OFF" position before plugging it in.
- ❖ Do not leave the tile saw unattended while it is running. Always return the power to the "OFF" position when not in use.
- ❖ Always wear safety goggles, dust mask, and ear protection when operating the tile saw.
- ❖ Always remain alert when the tile saw is in use. Distractions on the part of the operator may lead to a serious injury.
- ❖ Keep children away. All visitors should be kept at a safe distance from work area.
- ❖ Always keep the blade guard in the down position while operating the tile saw.
- ❖ Disconnect the unit from its power source before installing or changing blades and before cleaning or servicing the tile saw.
- ❖ Be careful. Serious injuries could occur if the tool is tipped, falls or if the blade is unintentionally contacted.
- ❖ Do not directly wash the bottom of the motor.
- ❖ Do not force the material being cut. Always let the blade cut at its own speed.
- ❖ Do not force a tool to do a job it isn't designed to do.
- ❖ Make sure you use the correct blade for the job you are doing.
- ❖ This tile saw is equipped with a three-prong electrical plug. Do not alter the plug or use a two-prong receptacle.
- ❖ Keep your work space clear and free of all debris.
- ❖ Keep the tile saw clean and maintained to achieve the safest and highest performance for each job.

## **FEATURES OF THE TILE SAW**

- ❖ Direct drive 1/3 HP Motor.
- ❖ Wet cutting.
- ❖ Water reservoir completely separated from all electrical components.
- ❖ 7" continuous rim wet diamond blade included for cutting tile and other materials.
- ❖ Adjustable chrome table for precision angle cuts (0° - 45° degrees)

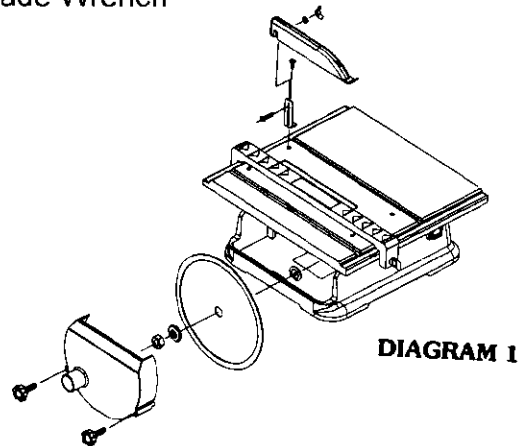
## ASSEMBLY & SETUP

**CAUTION:** Follow all of the assembly & installation instructions completely before connecting the tile saw to a power source or turning the motor on.

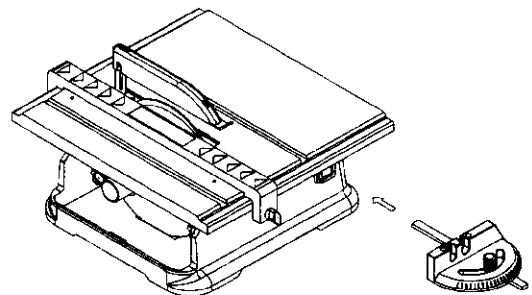
The contents of the box are as follows:

- 7" Diamond Blade
- Rip Guide
- Owner's Manual
- Blade Guard
- Miter Guide
- Blade Wrench

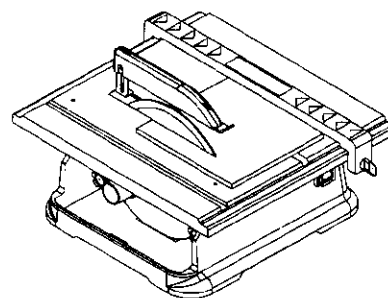
- Place the blade onto the shaft, pushing it up against the inner washer. Make sure the directional arrows on the blade are facing towards you. Place the outer washer and blade shaft nut, then tighten the blade shaft nut. Make certain the nut is firmly tightened with the wrench provided. Do not over-tighten! Place dustcover and tighten with screws. (See diagram 1)



- Place the Rip Guide on the top of the cutting table and tighten wing screw into its support nut. The guide is marked in both inches and centimeters for accurate cutting. Rip guide can be used on either side of the cutting blade. (See diagram 2)

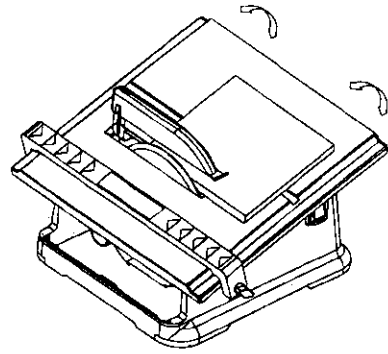


- Place the Miter Guide onto its left or right track. (See diagram 2)
- For straight cutting, after the rip guide is positioned for the desired cut, place the material flush against the rip guide then push the material towards the blade. (See diagram 3)



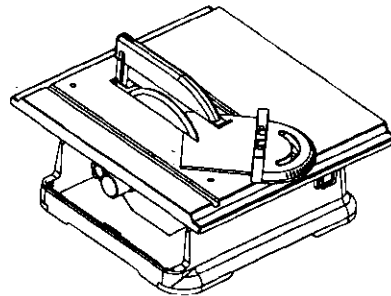
**DIAGRAM 3**

- For miter cutting, raise the tip-up cutting table to the desired angle, you can choose 0° - 45°. When proper angle is selected, tighten screws on both sides to hold the cutting table in place. Place the material face down onto the cutting table and you are ready to cut. (See diagram 4)



**DIAGRAM 4**

- For angle cutting, choose the degree you want and tighten the handle. Then push the miter guide and material together towards the blade to cut the material. (See diagram 5)



**DIAGRAM 5**

#### BLADE GUARD

1. Attach the metal guard support (60087-6) to the blade guard (60087-4) .
2. Screw the metal guard support (60087-6) from the top onto the cutting table.

#### RIP GUIDE

1. Place the rip guide at either end of the cutting table and slide it onto the cutting table track.
2. Once you have positioned the rip guide at the desired location on the cutting table then tighten the wing screws into the square support brackets.
3. Make sure that the rip guide is parallel to the blade once you tighten it down.

#### WATER RESERVOIR

The water reservoir is the open compartment located on the left side (blade side) of the tile saw. Fill the reservoir with water up to the spill edge. Do not allow the blade to run dry.



For longer tool life and best performance:

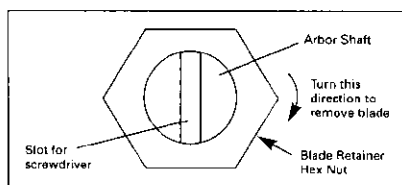
- Always clean the tile saw after each use.
- Wipe off all exterior surfaces and keep the cutting table clean and free of all debris.
- Always let the blade cut at its own speed. Do not force the material being cut.
- Always check the blade for cracks or signs of damage.
- Always clean the reservoir thoroughly after use.
- Always store the electrical cord underneath the saw after use.
- Always keep water level at the recommended level. Do not allow the saw to run dry. Add water if you see dust come our from dust chute outlet or in the air.
- Never attempt to service the internal parts of the motor by yourself as this will void your guarantee.

**ELECTRICAL & MOTOR SPECIFICATIONS**

MOTOR SPECIFICATIONS	
• Volts	120 V
• Cycle	60 Cycle
• RPM	3600 RPM
• Amps	4 Amps
• Phase	1

Connect Tile Saw as close as possible to power source.

**BLADE REMOVAL INSTRUCTIONS**

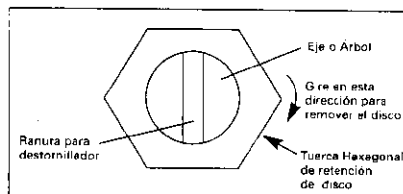


**TO REMOVE BLADE**

1. Use Flat Blade Screwdriver in slot to hold Arbor Shaft.
2. Use Hex Wrench (furnished) to remove Hex Nut Blade Retainer.

**NOTE: Turn Hex Nut CLOCKWISE to loosen nut.**

**INSTRUCCIONES PARA REMOVER EL DISCO**



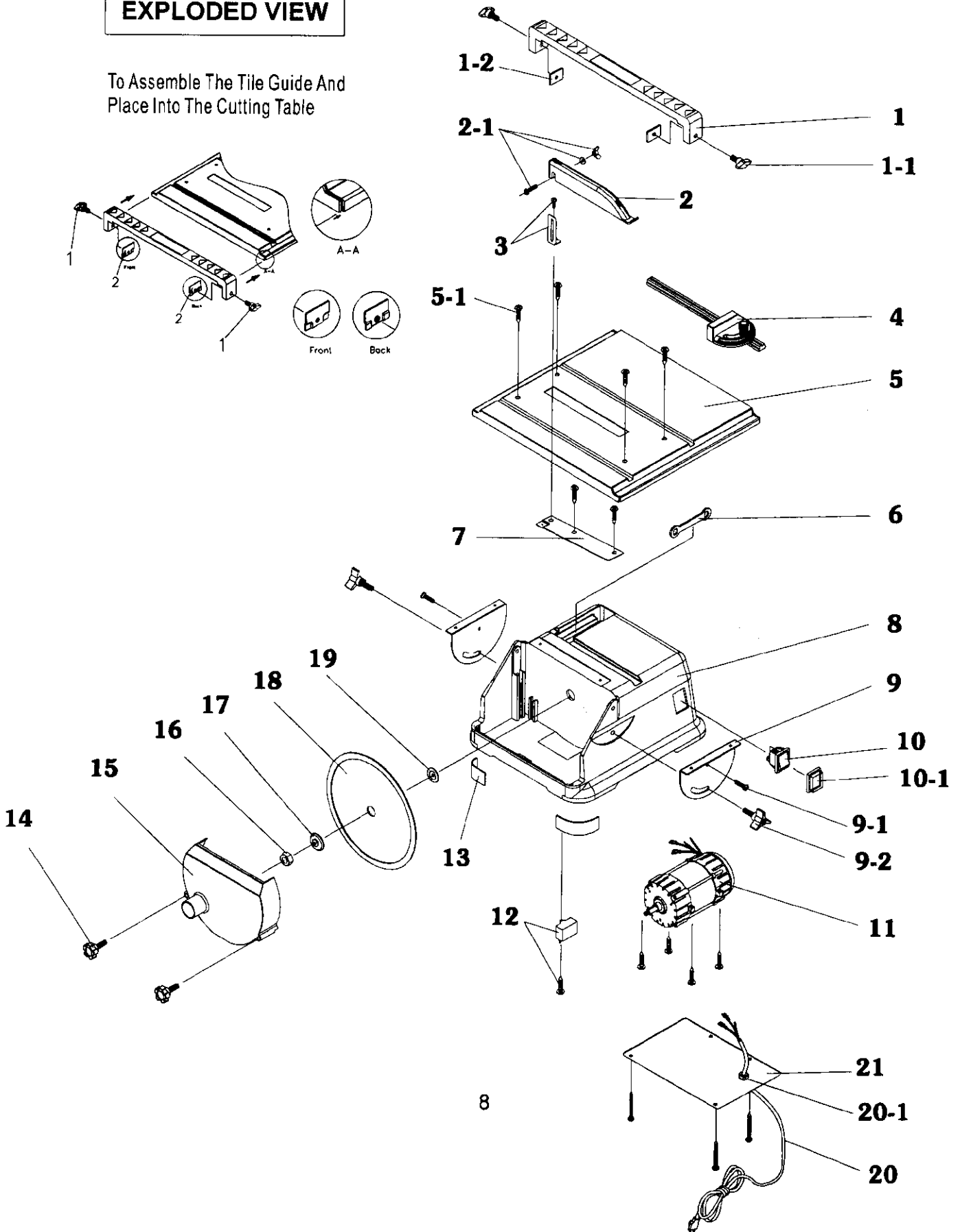
**PARA REMOVER EL DISCO**

1. Inserte un destornillador plano en la ranura para retener el eje.
2. Use la llave hexagonal (adjunta), para remover la tuerca de retención.

**NOTA: Para aflojar la tuerca, gire la tuerca EN DIRECCIÓN DE LAS MANECILLAS DEL RELOJ.**

# EXPLODED VIEW

To Assemble The Tile Guide And Place Into The Cutting Table



## 60087 PARTS LIST

	PARTS #	PARTS NAME	QTY
1	60087-1	Rip Guide	1
1-1	60087-2	Wing Screw For Rip Guide	2
1-2	60087-3	Square Nut For Rip Guide	2
2	60087-4	Blade Guard	1
2-1	60087-5	Screw Set For Blade Guard	1
3	60087-6	Screw For Guard Support Set	1
4	60087-7	Miter Guide Set	1
5	60087-8	Cutting Table	1
5-1	60087-9	Screw Set For Cutting Table	4
6	60087-10	Wrench	1
7	60087-11	Square Support Set For Frame (w/ 3 screws)	1
8	60087-12	Frame	1
9	60087-13	Angle Guide Plate	2
9-1	60087-14	Screw For Angle Plate	2
9-2	60087-15	Angle Screw For Angle Plate	2
10	60087-16	Power Switch	1
10-1	60087-17	Power Switch Cover	1
11	60087-18	Motor Set (w / 4 screws)	1
12	60087-19	Capacitor Set	1
13	60087-20	Rubber Base	4
14	60087-21	Screws For Dust Cover	2
15	60087-22	Dust Cover	1
16	60087-23	Blade Lick Nut	1
17	60087-24	Outer Washer	1
18	50007	7" Continuous Rim Blade	1
19	60087-25	Inner Washer	1
20	60087-26	Power Cord	1
20-1	60087-27	Strain Relief Bushing	1
21	60087-28	Base Plate Set (w / 4 screws)	1

Q.E.P. CO., INC.  
 BOCA RATON, FL 33487  
[www.qep.com](http://www.qep.com)