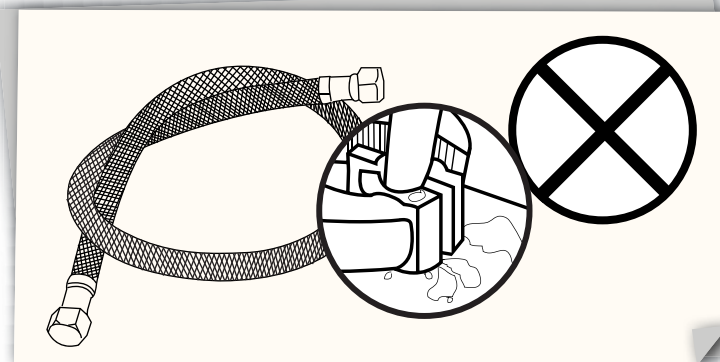
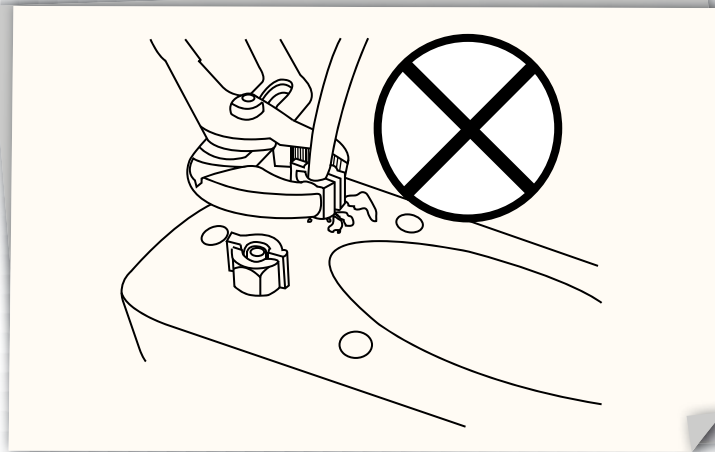


BIO BIDET A3

WARNING

Do Not over-tighten plumbing connections.

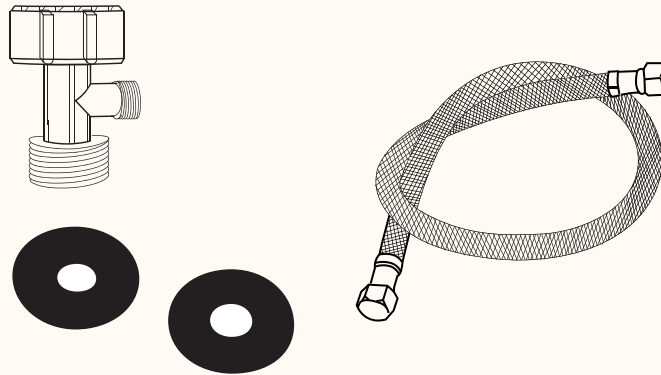
Over-tightening plumbing connections can damage parts and cause leaks.



BIO BIDET A3

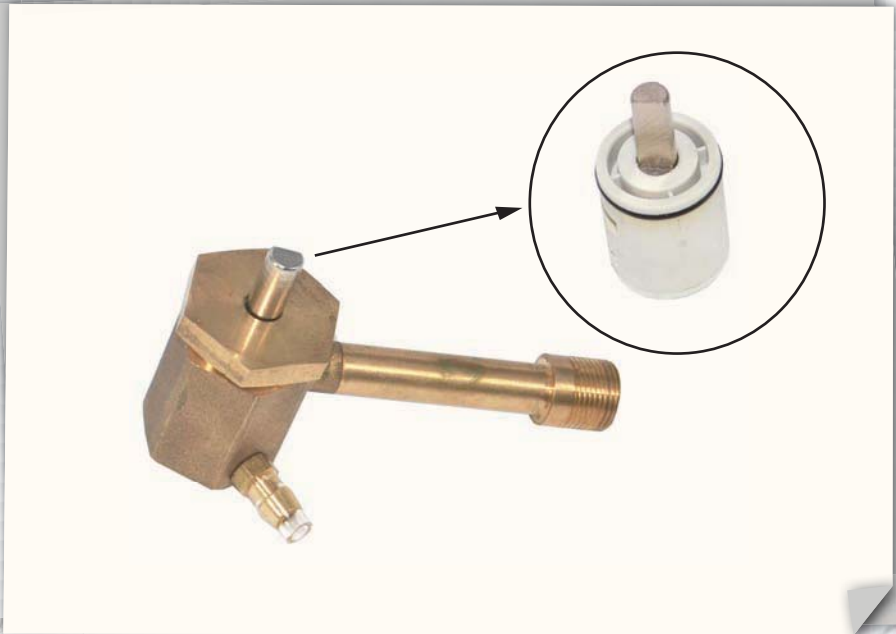
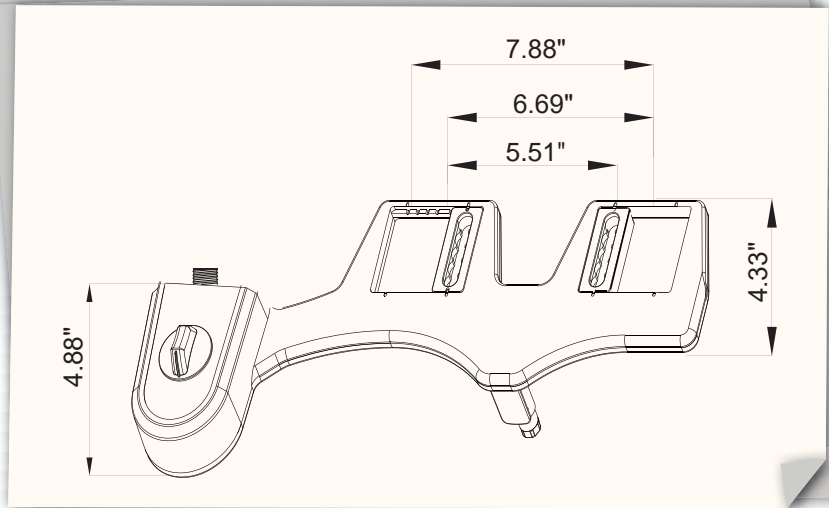
Parts List

Name	Quantity
Bidet	1
7/8" T Adapter	1
Braided Metal Hose	1
Protective O rings	2
Owner's Manual	1



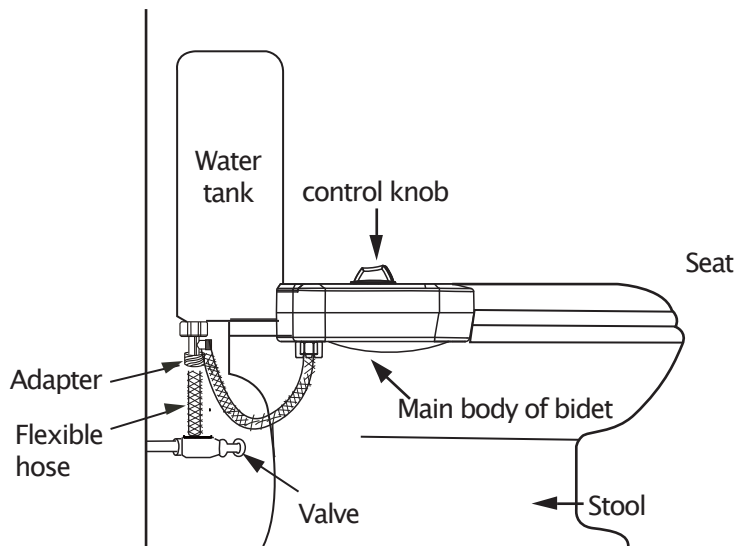
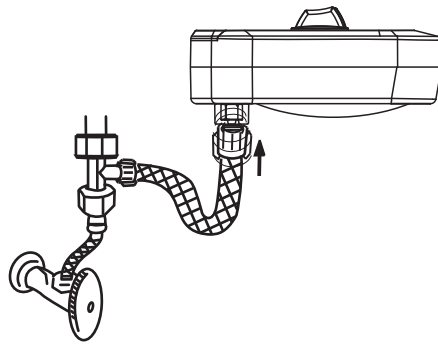
BIO BIDET A3

Configuration



BIO BIDET [®]A3

Tighten connections while checking for leaks. Do not over tighten.



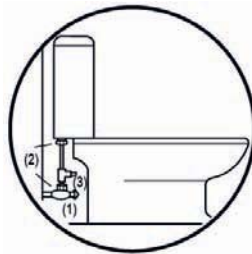
Installation Instructions

1. CAUTION

Do Not over tighten any connections.
Over tightening connections and adaptor can
cause damage to the parts.

2. PROCEDURES OF ASSEMBLY

1



Shut water supply off by turning
it to the right and disassemble the
water hose.
Flush toilet to drain water inside of
toilet water tank before
disassembling the water hose.

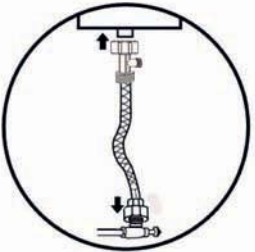
BIO BIDET A3

2



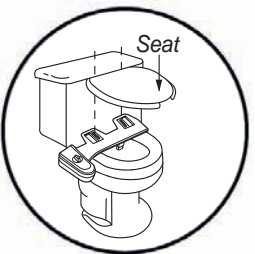
Remove existing seat and lid.
Release the bolts on both sides of
the existing toilet seat.

3



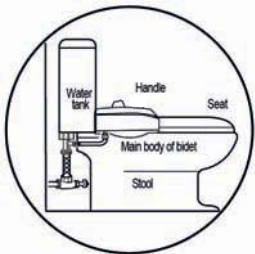
Connect supplied universal 7/8" T
valve to the fill valve underneath of
toilet water tank and connect water
supply hose between universal 7/8"
and shut off valve

4



Mount bidet and toilet seat/lid over
toilet mounting holes.
Supplied rubber O-rings should be
placed under the bidet mounting
bracket to protect and secure the
bidet on the toilet.

5



Connect water supply hose
between bidet inlet and universal
T valve

BIO BIDET [®]A3

Thank *y*ou

Technical support / Customer Service

Bio Bidet
204 Berg ST Algonquin, IL 60102

T : 847.458.2334
U.S Toll Free : 877.339.5214

support@biobidet.com
www.biobidet.com