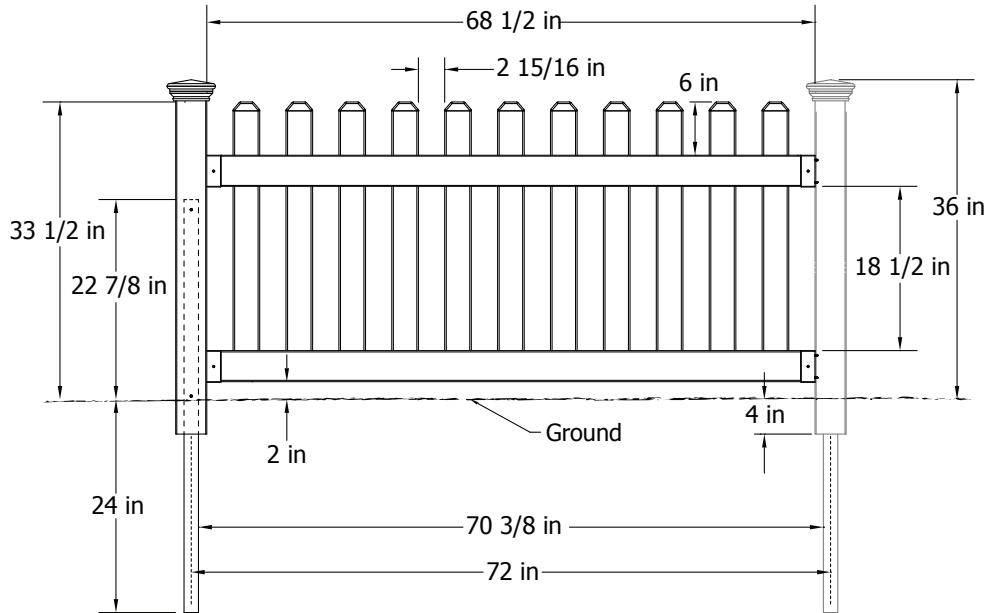
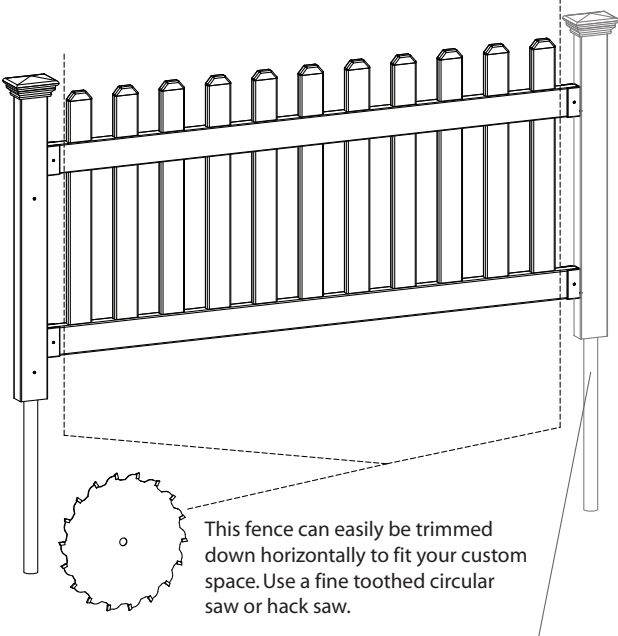


# ASSEMBLY GUIDE



**ZIPPITY**  
DO-IT-YOURSELF  
FRIENDLY PRODUCTS

## Newport Vinyl Picket Fence with Post and No-Dig Steel Pipe Anchor Kit (36" H x 72" W)



**2"x3 1/2" Fence Run Finishing Post with Cap and No-Dig Steel Pipe Anchor Kit Sold Separately**

*Please read through before starting assembly.*

**IMPORTANT: CHECK THE INSIDE OF THE LARGER PIECES IN YOUR BOX FOR OTHER MATERIALS PACKED INSIDE.**

### Check Box for These Contents

In the event of missing or defective parts please call our customer service department at **1 877 234 6196** (Mon. to Fri. 8:00 AM to 4:00 PM EST).

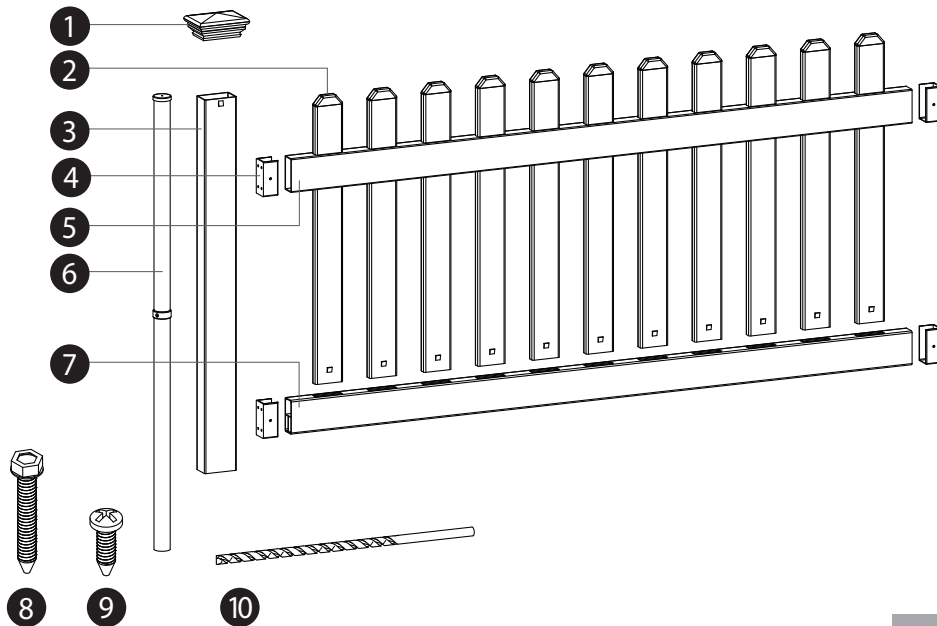
1. Post Cap (1)
2. Pickets (11) - 7/8" x 3" x 29 3/4"
3. Post (1) - 2" x 3 1/2" x 38 5/8"
4. Rail Brackets (4)
5. Top Rail (1) - 1 1/2" x 3 1/2" x 68 1/4"
6. Anchor Pipe (1) - 46 7/8"
7. Bottom Rail (1) - 1 1/2" x 3 1/2" x 68 1/4"
8. 1" Self-Auguring Hex Head Steel Screws (2)
9. 3/4" Self-Auguring Stainless Steel Screws (24)
10. 1/4" Hardened Steel Drill Bit (1)

### Sold Separately:

- Newport Vinyl Fence Finishing Post (36" High) with No-Dig Steel Pipe Anchor Kit

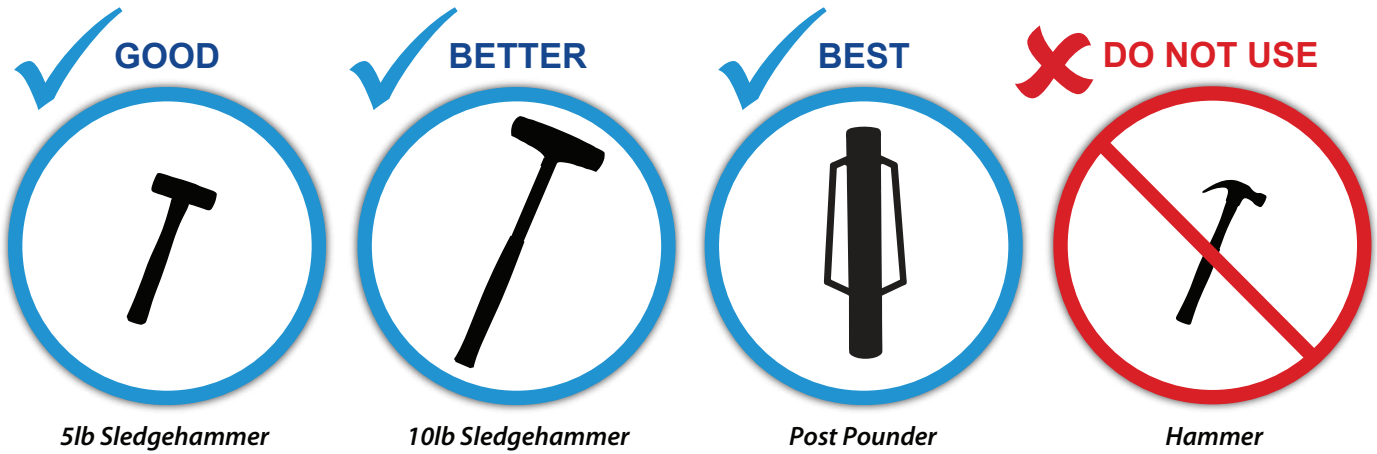
### Tools You Will Need

- Cordless Drill
- Level



Not to Scale

# TOOL OPTIONS FOR DRIVING PIPE INTO GROUND



5lb Sledgehammer

10lb Sledgehammer

Post Pounder

Hammer

Purchase post pounder at any hardware store or go to: [www.wambamfence.com](http://www.wambamfence.com). Post pounders cost roughly \$25 to \$30 at Hardware Store (or rental stores often have for rent).

## STEP ONE

### Install Anchor Pipes

**1**

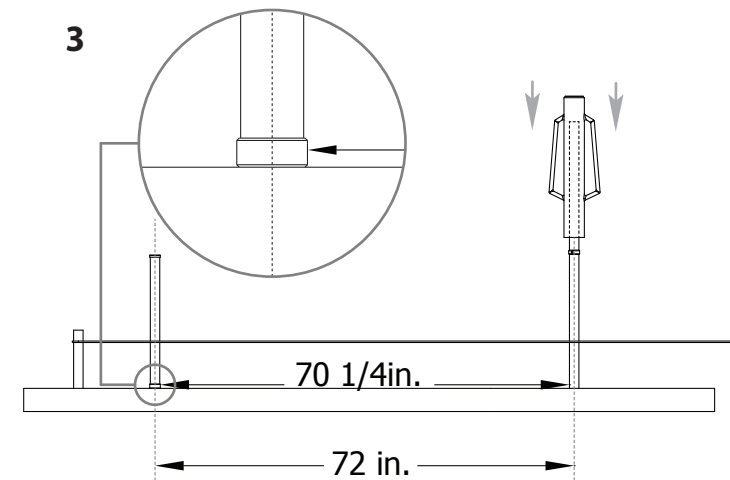
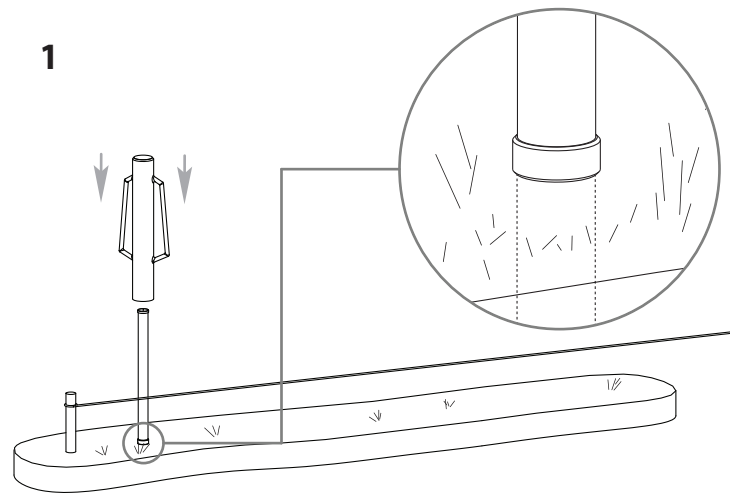
After establishing your fence lines with string and stake, drive your first pipe into the ground. The bottom of the plastic bushing should sit just above the ground when finished.

**2**

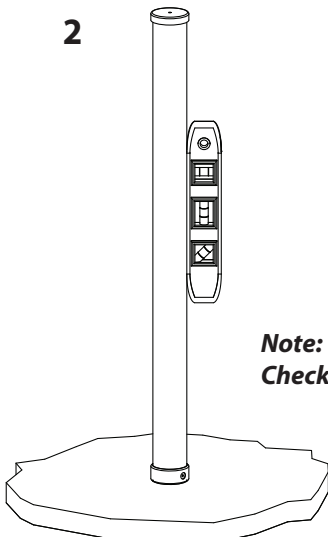
Try and drive the pipe as level as possible. Check level about every 12". After about 18" deep, the trajectory of the pipe is usually established and you cannot manually pull the pipe back into level.

**3**

Identify location of your second pipe anchor and drive into the ground. The distance from plastic bushing to the next pipe should be 70 1/4" (Or center to center of pipe at 72")



**2**



**Note:**  
Check level in both directions



## STEP TWO

### Install Post over Anchor Pipe

#### Optional

If your ground is dry and hard, use a claw hammer to loosen 2" or 4" of dirt around the base of the pipe. This will allow the vinyl post to easily insert itself into the ground in step 2 below.

**1**

Orient post correctly with tabs at top and slide the vinyl post over the anchor pipe down into the ground.

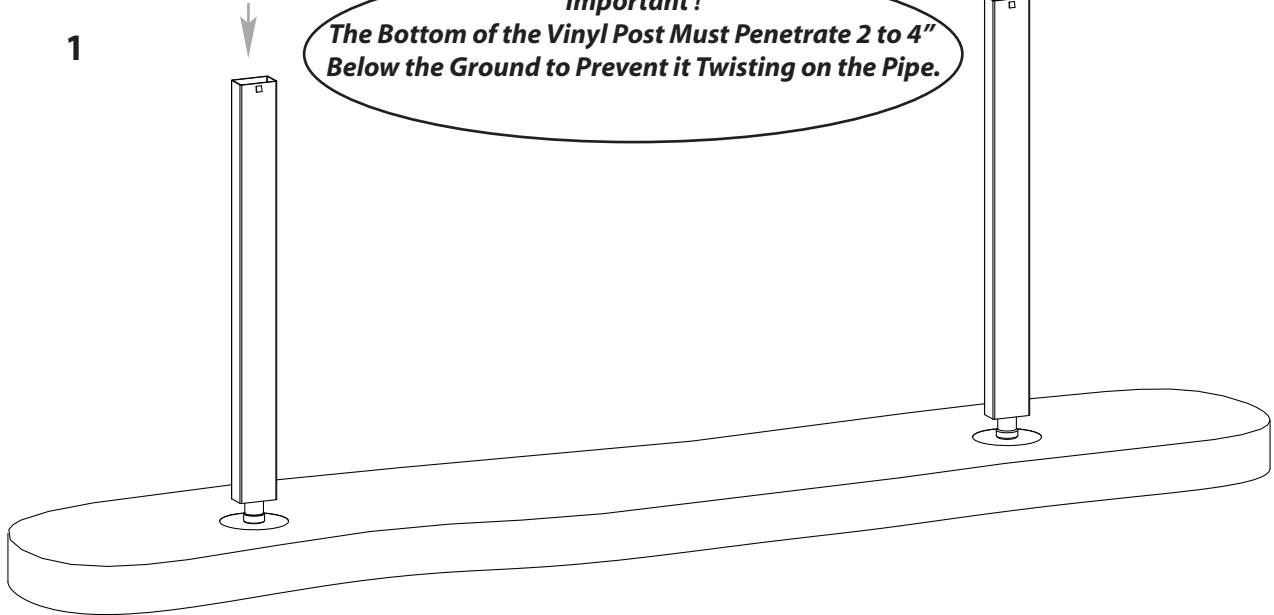
**2**

Using a wood block (or something to protect the top of the vinyl extrusion), pound down the post another 2" to 4" below the ground.

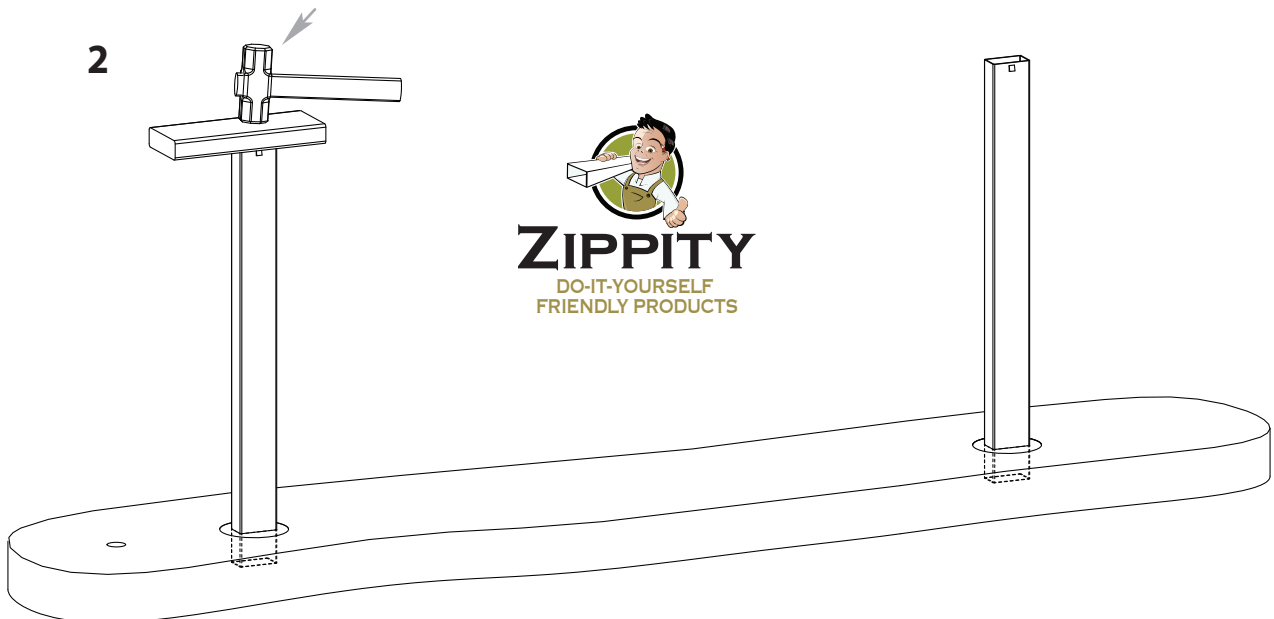
**3**

Repeat for second post.

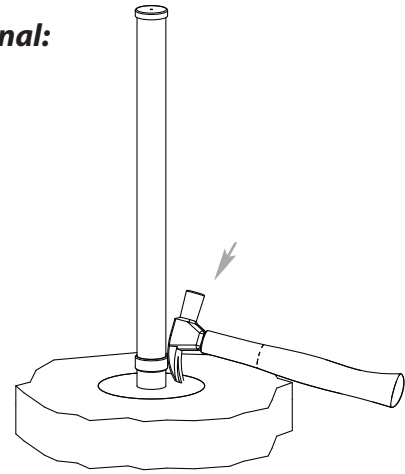
**1**



**2**



**Optional:**



## STEP TWO

4

Use the self-drilling tek screw to secure the bottom of just one vinyl post to the pipe as illustrated.

**The hex head screws are designed to be installed without pre-drilling, however you may find that using the included drill bit for pre-drilling will allow easier installation of hex head screw into pipe.**

5

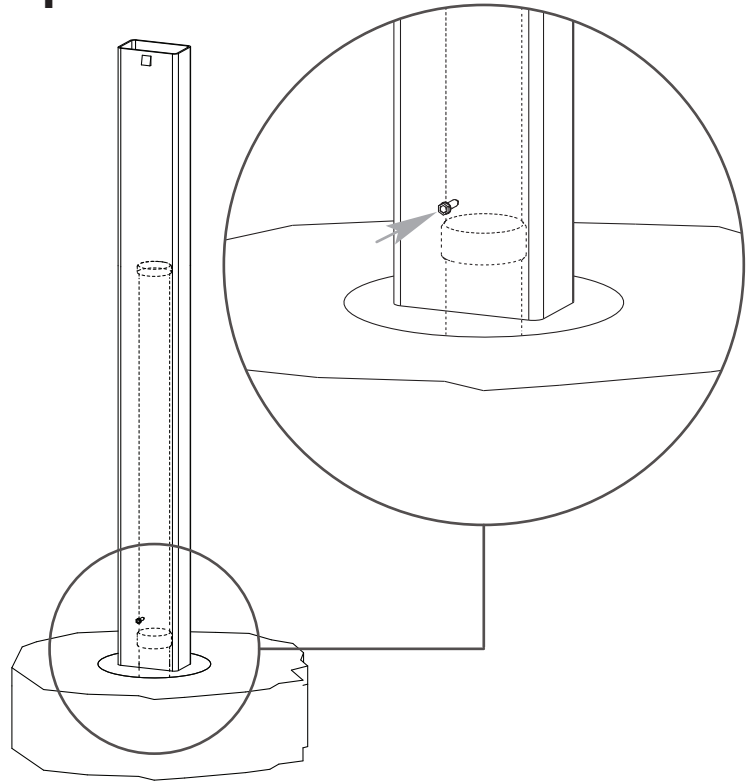
Using a level, adjust the top of the vinyl post to level as illustrated.

6

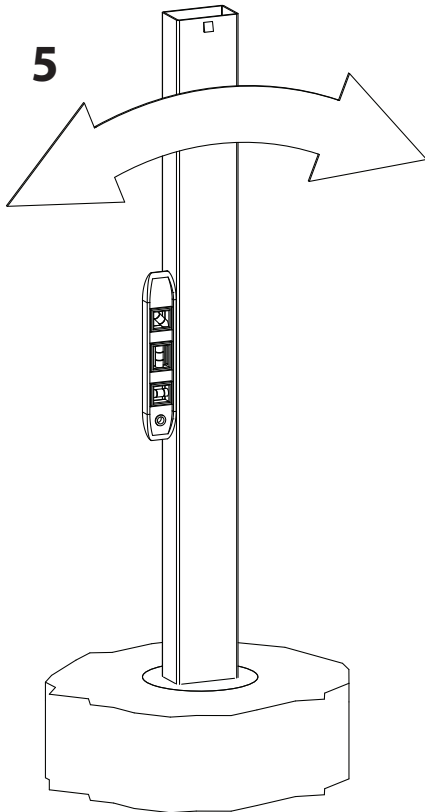
Visually look down the top of the post to determine location of pipe on vinyl post and secure with second self-drilling tek screw as illustrated

**Secure only one post on pipe for now (not both). This will allow you to adjust the second post for fence panel installation**

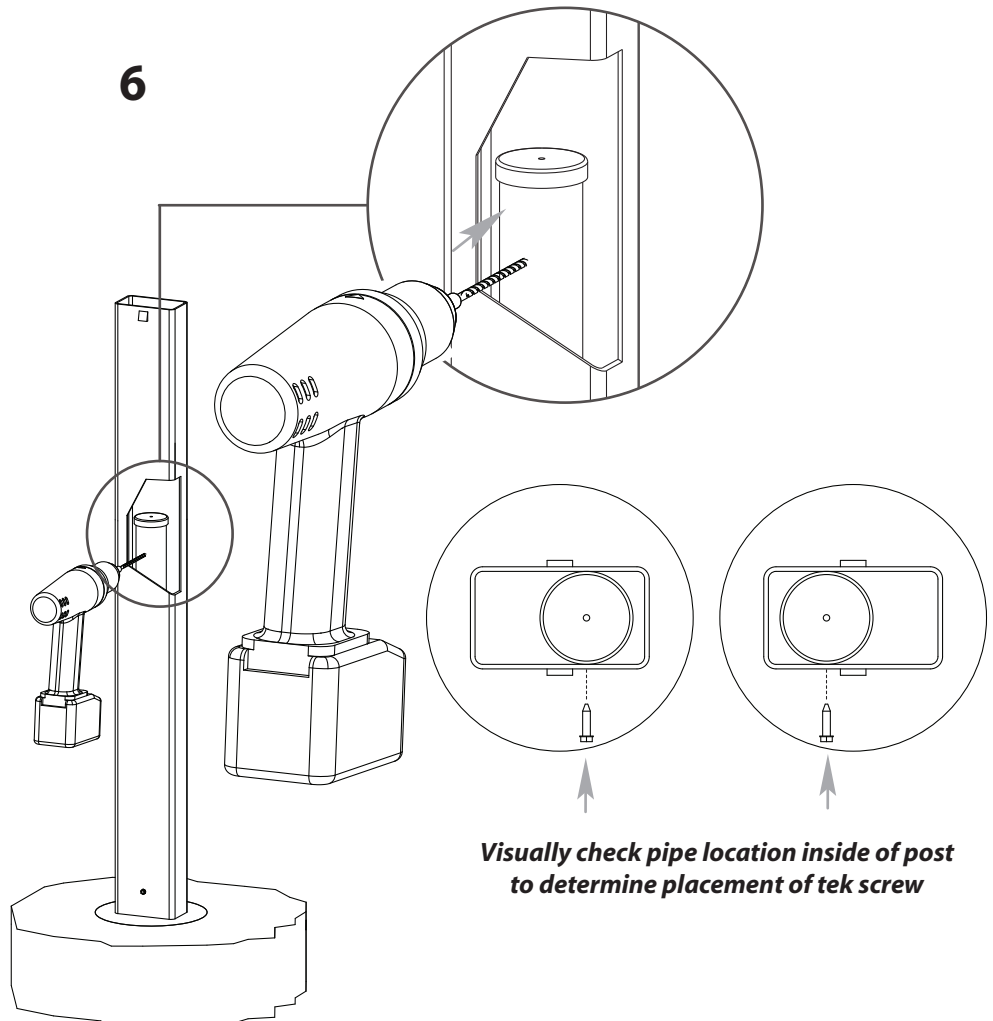
4



5



6



**Visually check pipe location inside of post to determine placement of tek screw**

## STEP THREE

### Install Fence Panel

**1**

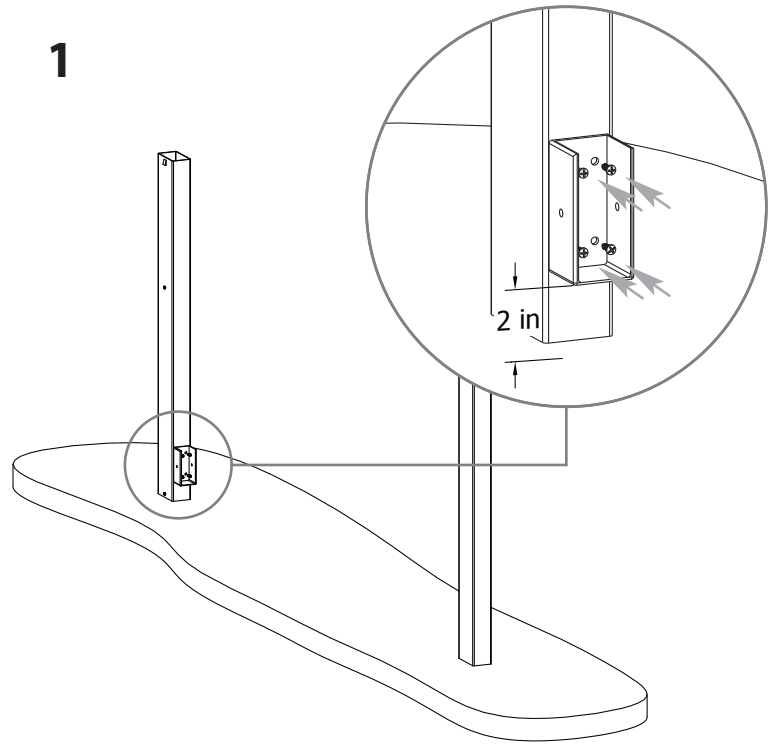
Install one vinyl bracket on the vinyl post that has been secured to the pipe using 3/4" screws (approximately 2" off the ground)

**2**

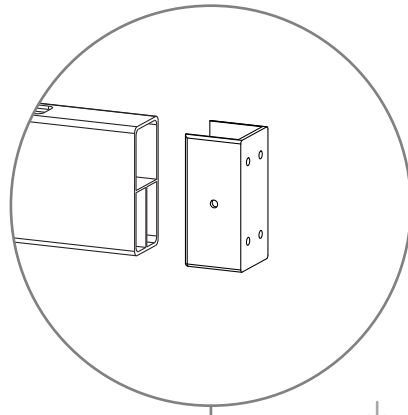
Slide second bracket over the opposite end of the bottom rail and slide the rail down into the pre-installed bracket on the opposing side.

**3**

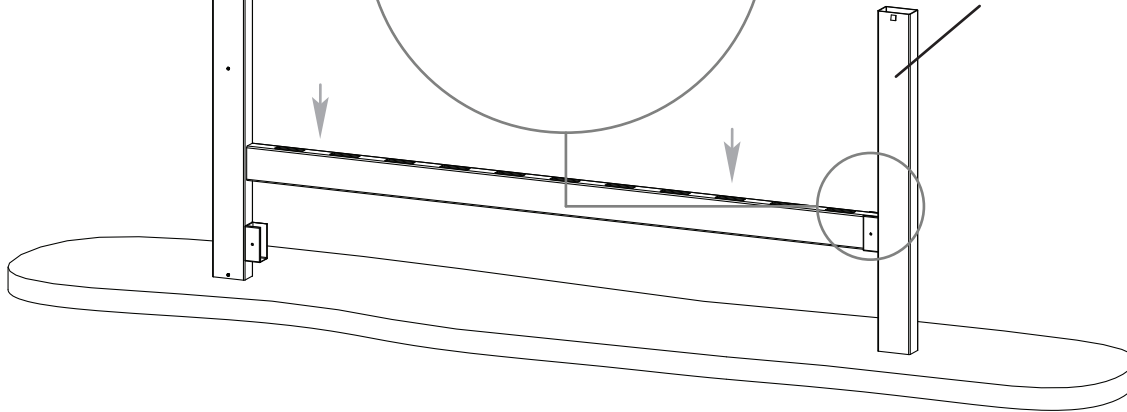
Use a level on the top of the bottom rail to determine height of opposing bracket and mark for installation.



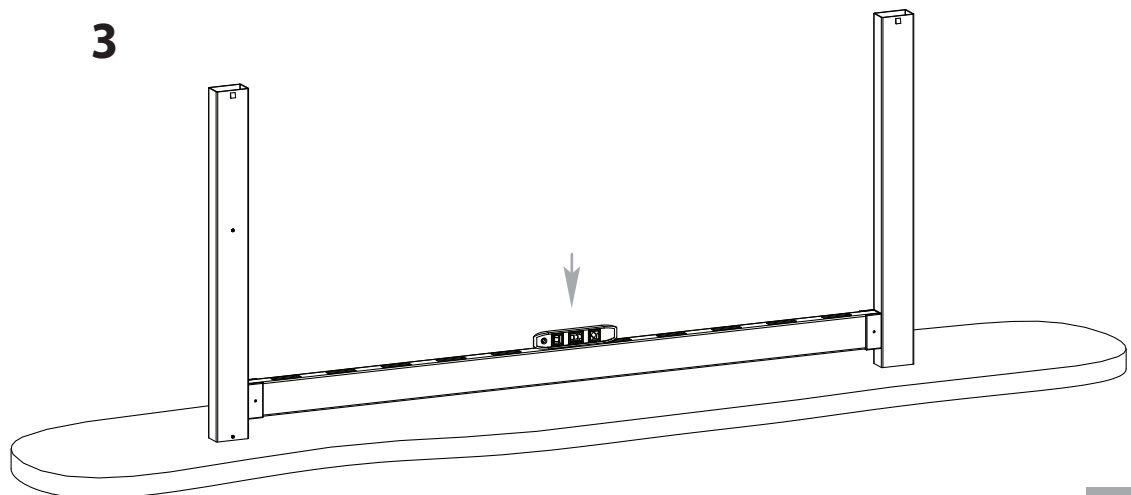
**2**



**Note:** Adjust this post by sliding left or right to fit the rail length.



**3**



## STEP THREE

4

Temporarily remove bottom rail and install bracket using screws.

5

Install top brackets as illustrated using screws, as per measurement illustrated below.

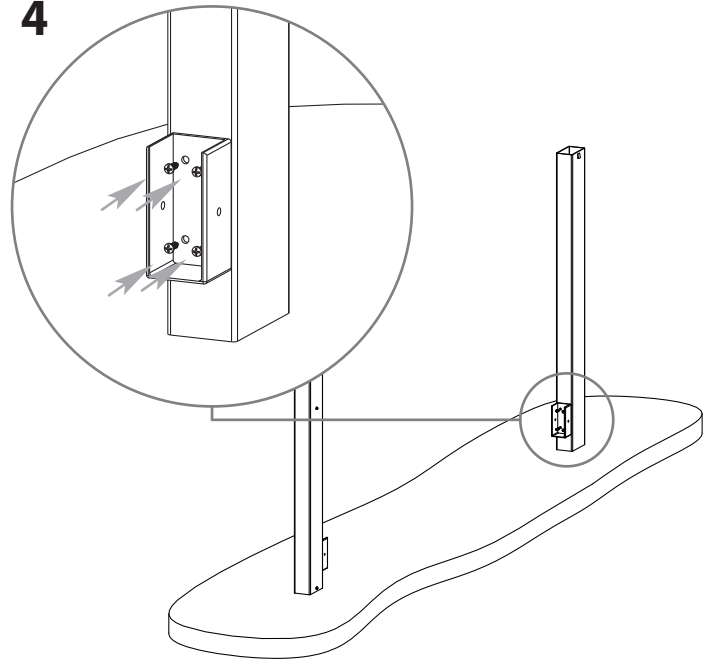
6

Orientate bottom and top rails correctly (to receive vertical pickets) and slide down into brackets. Use screws to secure.

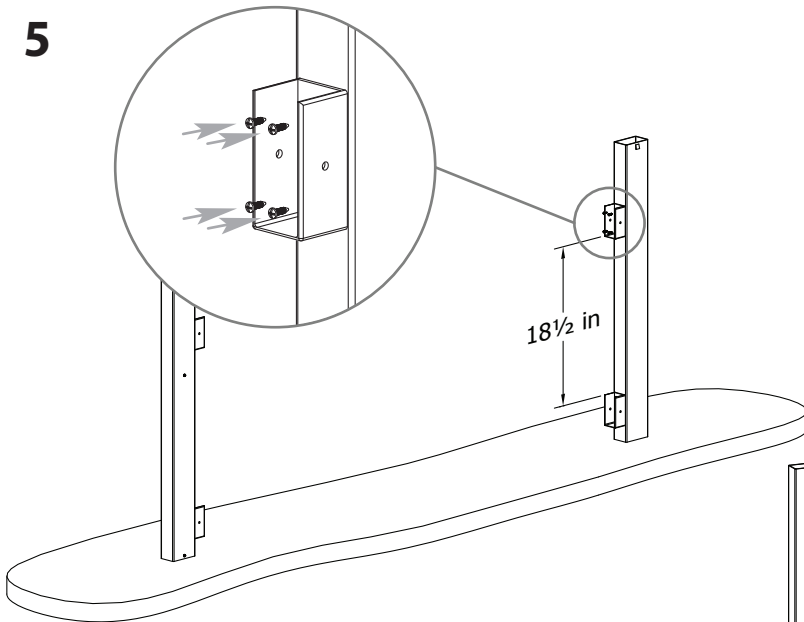
7

Once the top and bottom rails are secured, fasten the second post, following the same steps as outlined on page 4.

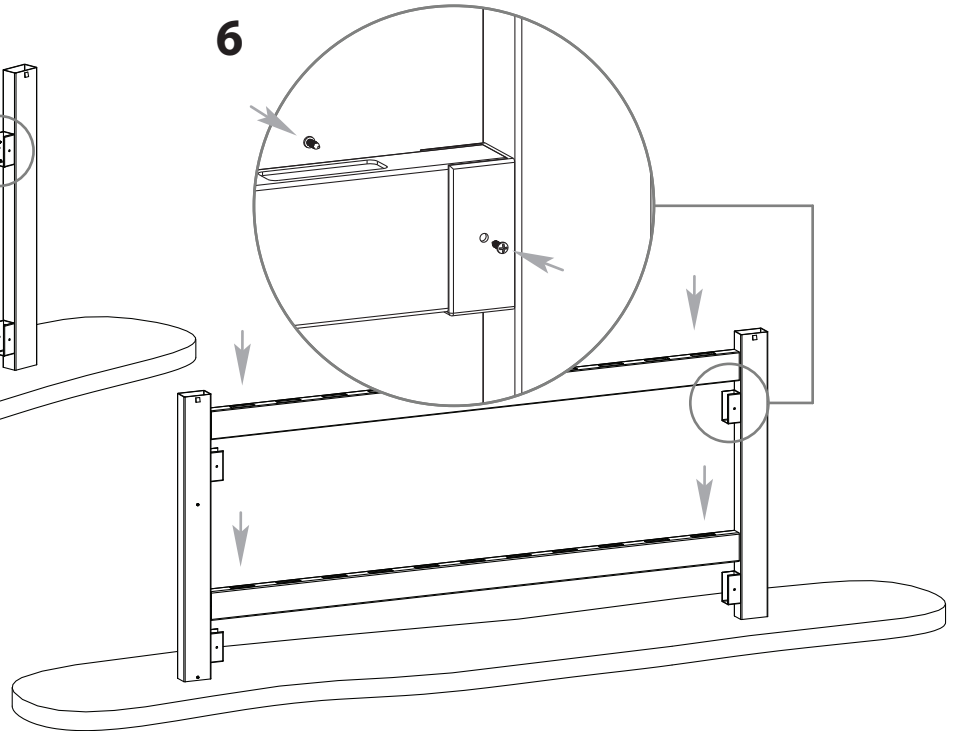
4



5

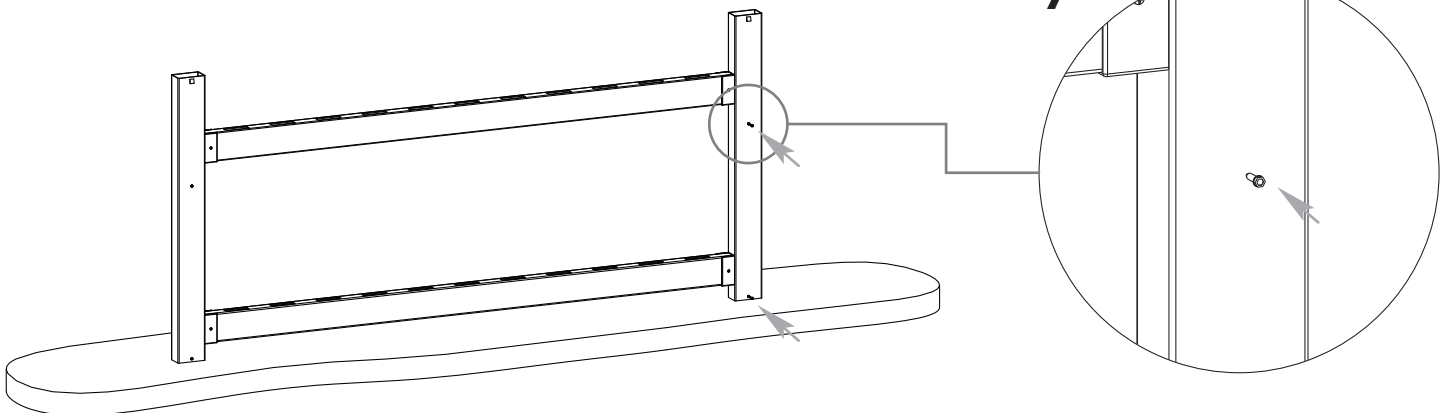


6



**ZIPPITY**  
DO-IT-YOURSELF  
FRIENDLY PRODUCTS

7



6

## STEP FOUR

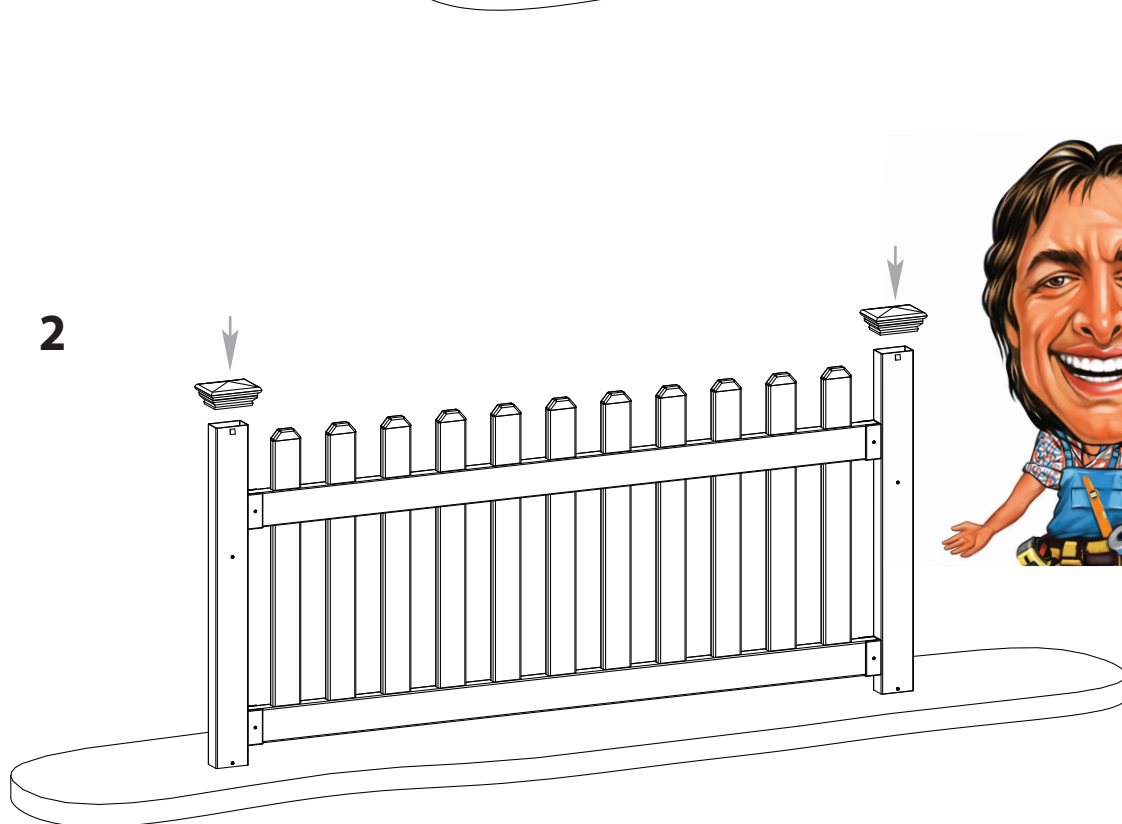
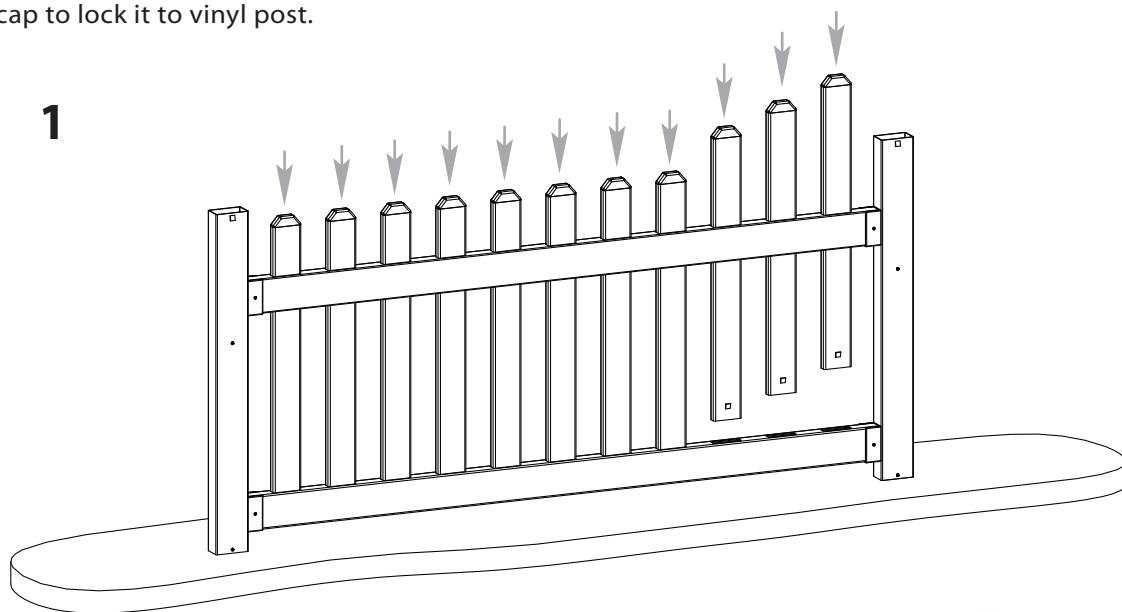
### Install Pickets & Post Caps

**1**

Install pickets by inserting through top rail and locking into the bottom rail.

**2**

Install post caps. Push down on cap to lock it to vinyl post.



#### Install **ONE** complete panel of fence **FIRST**

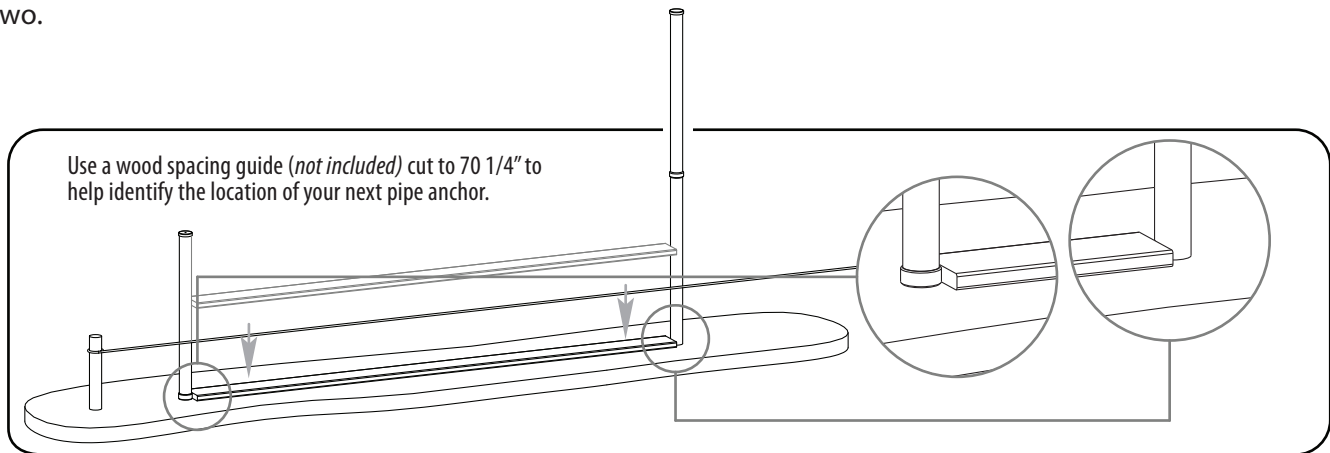
Then proceed to install only one or two pipe anchors at a time, until you fully understand the fundamentals. This will help you to avoid repetitive mistakes.



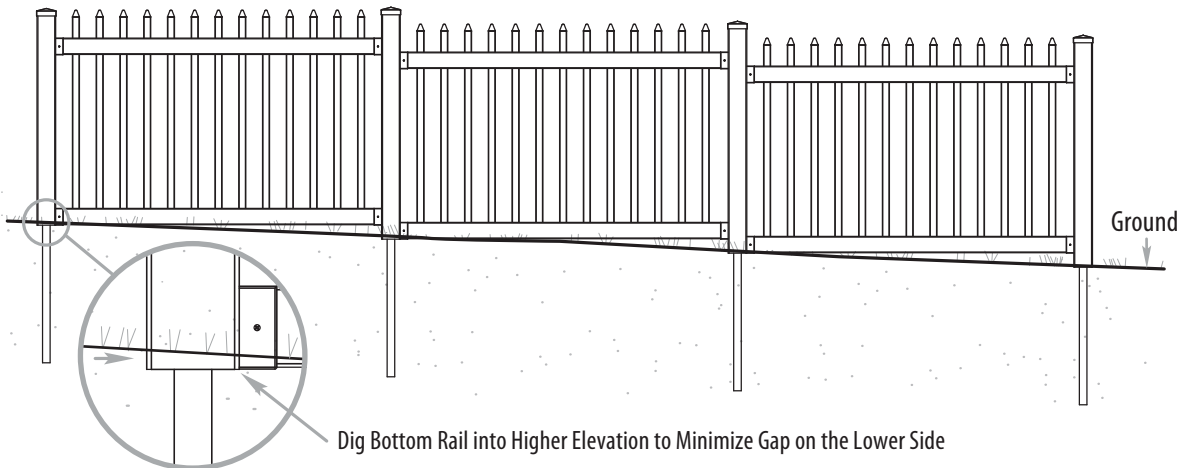
*Post tops can be trimmed down as necessary.  
Use pvc glue (not provided) to permanently install post caps as necessary*

## TIPS

1. Careful planning & measuring of your fence is essential. Moving pipes once driven into ground is extremely difficult.
2. After you install your first panel and you have gone thru the learning curve, you can opt to temporarily remove your fence panel and posts and continue driving all your pipe. This will enable you to work with an unobstructed string line.
3. When cutting PVC use a fine-toothed metal or wood blade.
4. For easier spacing of pipe anchors, you can optionally use a piece of 1x4 wood lumber cut at 70 1/4" for step 3 on page two.



5. Most yards are relatively level and will allow for a fairly simple installation. If your yard is steeply pitched or is very uneven you may need to stair step your panels as illustrated below. Post heights can be trimmed down as necessary.



### WARNING!

If your yard has a severe slope or elevation change greater than approximately 5" to 6" over one panel of fence, you will not be able to install this fence. your post will not be long enough to accomodate.





## TIPS

# Installing Bottom Bracket on a 90° Corner?

**1**

Place the bottom bracket on the post and mark the locations of the two holes on the post.

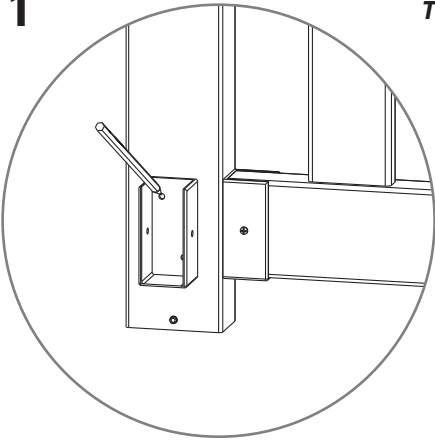
**2**

Using a 9/64" drill bit for steel, pre-drill the vinyl post and internal steel pipe.

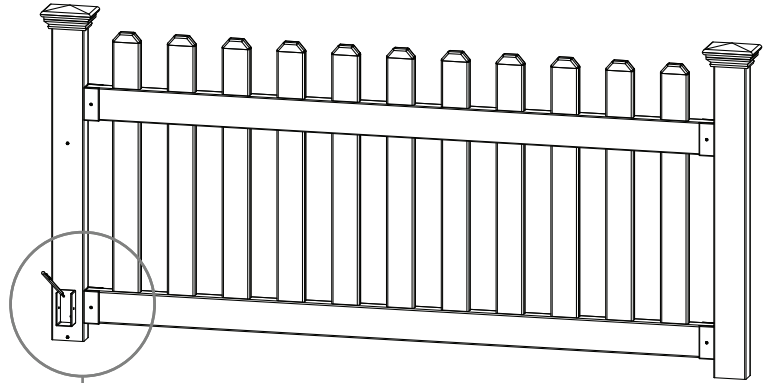
**3**

Install bracket to vinyl post and pipe.

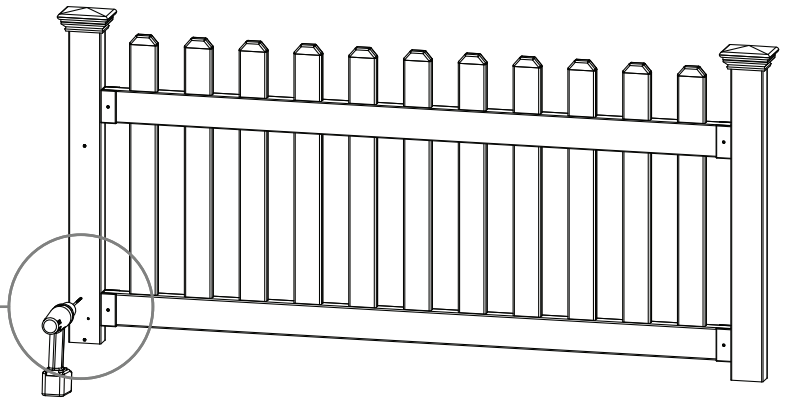
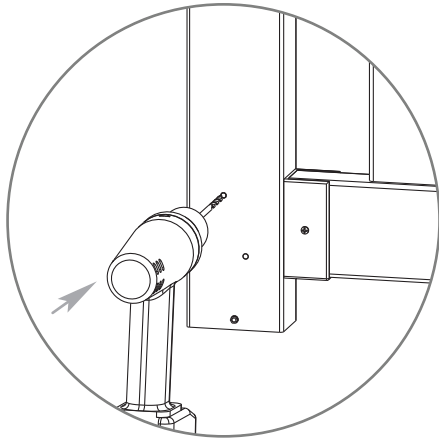
**1**



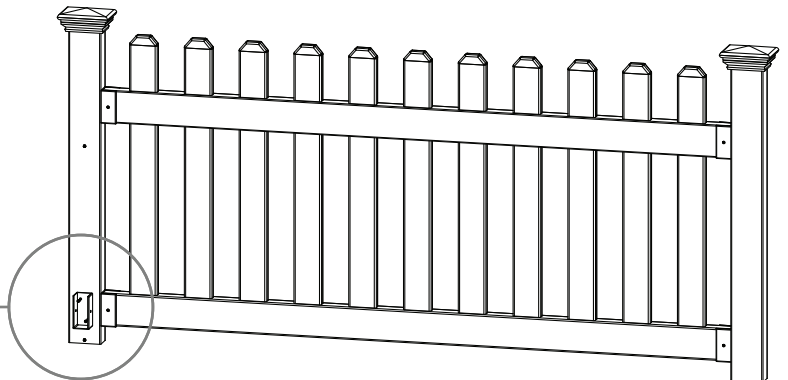
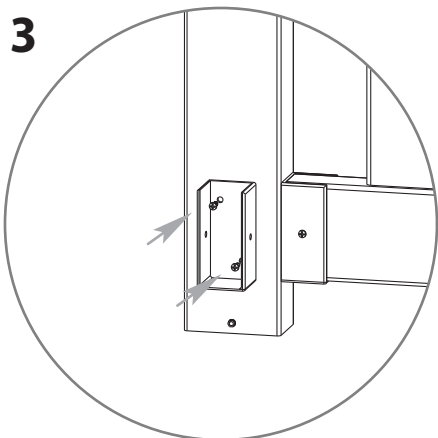
*Tip: Alternatively you can use self-drilling metal screws (not included) for steel and avoid having to pre-drill.*



**2**



**3**



## AVOID THESE PITFALLS

### 1. Have you contacted local utilities?

You must call before you start installation of your fence to avoid puncturing any unseen underground utilities, especially electrical or gas lines. Fortunately, this is made easy for you.

Simply call 811 in the US, or visit [www.call811.com](http://www.call811.com)

In Canada, visit [www.transcanada.com/contactus.html](http://www.transcanada.com/contactus.html)

### 2. Have you checked your local zoning laws?

Local zoning laws and Home Owners Associations may regulate the height, style and placement of your fence. Some locations may even require a permit for a list of phone numbers by province.

### 3. Are you absolutely sure where your property line is?

Many disputes have arisen from questions about whose side the fence is on. We recommend the outside edge of your fence to be at least 2" inside your property line to avoid any encroachment on adjacent property

### 4. Have you talked to your neighbors?

Your fence will become part of their yard, and you'll have an easier time building it if you can have access from both sides. Besides, you may get lucky if they decide to share the cost with you.



## IMPORTANT!

### 5. UNSTABLE GROUND OR ROCK?

If you encounter rock or unstable ground, you can dig a hole and concrete the pipe into place much the same way you would a traditionally installed fence. This can be done either during the pipe installation or even after the fence is complete.



**Know what's below.**

Please visit [www.zippity-outdoor.com](http://www.zippity-outdoor.com) or call us at 1-877-234-6196 for answers to your other questions. We are eager to help you succeed in your project. Thanks for choosing Zippity Outdoor and all the best with your project.