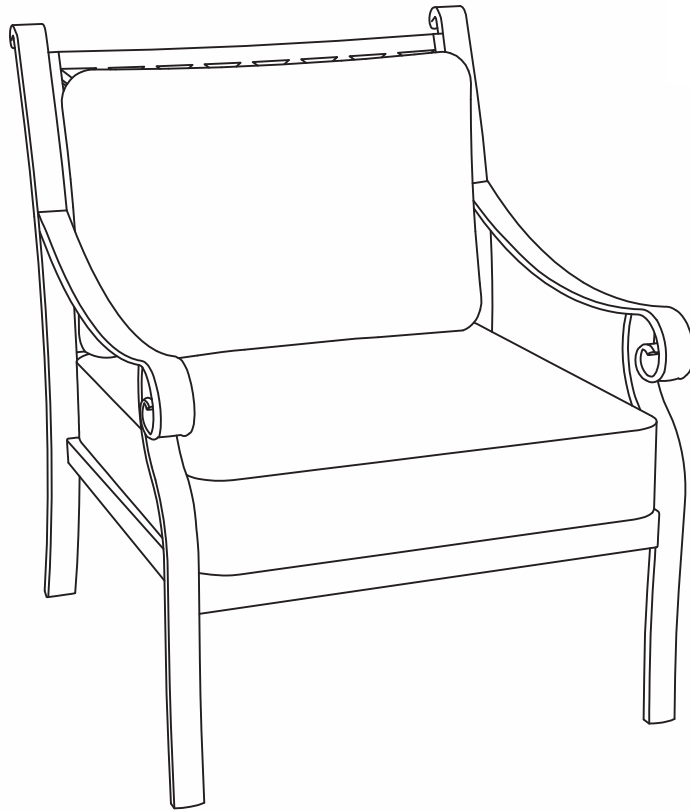
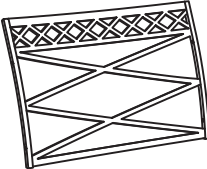



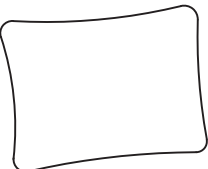
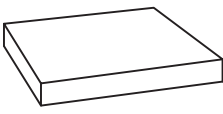





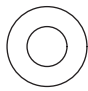

Cast Aluminum Arm Chair
CO6106




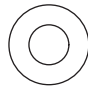
PARTS LIST

A 	B 	C 	D 	E 
Back Panel 1 PC	Seat Panel 1 PC	Left Arm 1 PC	Right Arm 1 PC	Back Cushion 1 PC
F 				
Seat Cushion 1 PC				

HARDWARE LIST

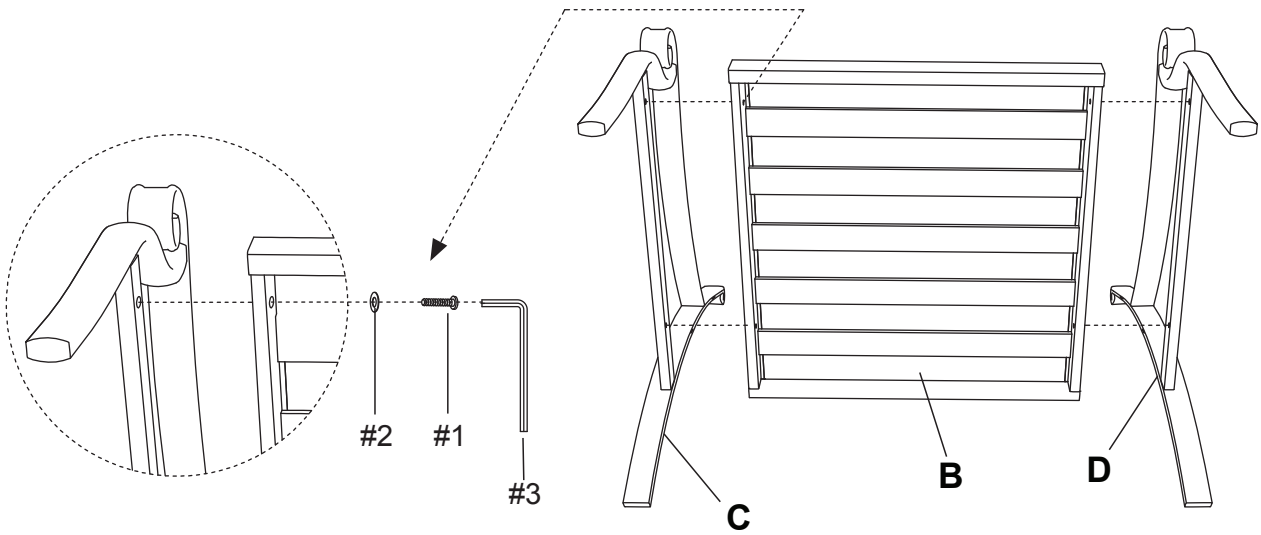
#1 	#2 	#3 
M6X30mm Bolt 8 PCS	M6mm Flat Washer 8 PCS	M6mm Allen Key 1 PC

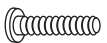


EXTRA HARDWARE LIST

#1 	#2 
M6X30mm Bolt 2 PCS	M6mm Flat Washer 2 PCS

Step 1. Attach arms (part #C&D) to seat panel (part #B) using bolts (part #1), washers (part #2) and allen key (part #3).

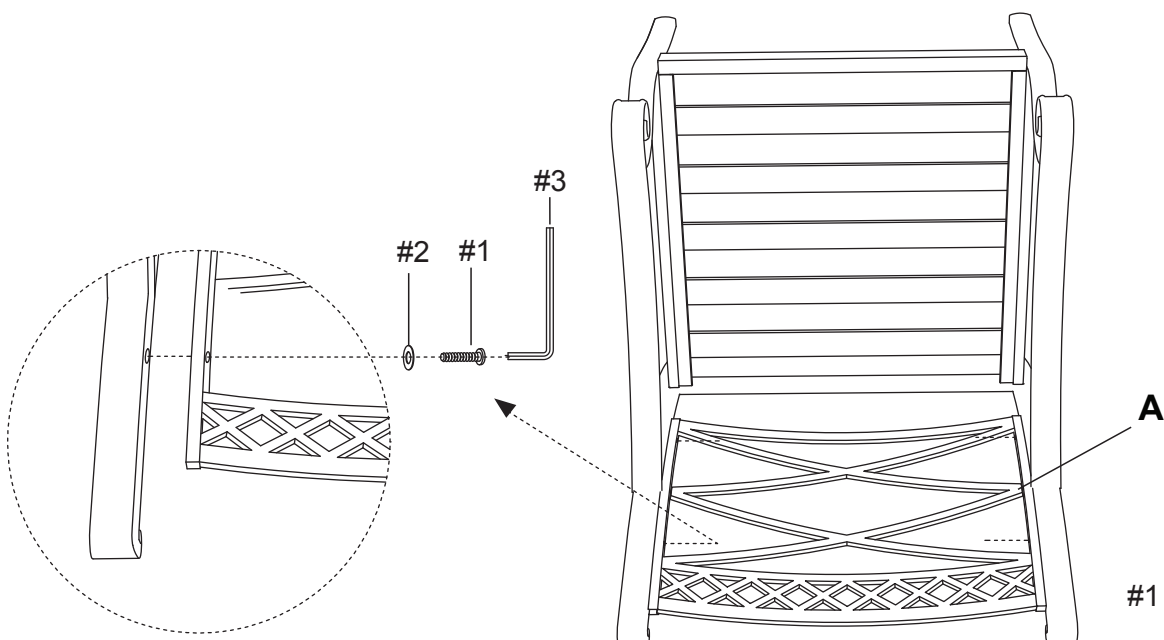
NOTE: Please do not fully tighten bolts until unit is fully assembled.






- #1  X 4
- #2  X 4
- #3  X 1

Step 2. Attach back panel (part #A) to arms (part #C & D) using bolts (part #1), washers (part #2) and allen key (part #3).

NOTE: Please fully tighten all bolts at this time.



- #1  X 4
- #2  X 4
- #3  X 1

Step 3. Carefully turn the chair upright and place back cushion (part #E) and seat cushion (part #F) on the chair.

