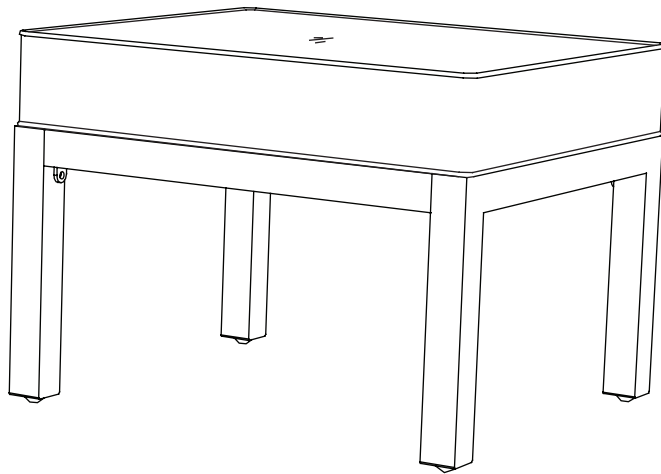




Item # 739 156
Model # 750.034.001

USE AND CARE GUIDE

KAPOLEI OTTOMAN



Questions, problems, missing parts? Before returning to the store,
call Hampton Bay Customer Service
8 a.m. - 7 p.m., EST, Monday - Friday,
9 a.m. - 6 p.m., EST, Saturday

1-855-HD-HAMPTON

HAMPTONBAY.COM

THANK YOU

We appreciate the trust and confidence you have placed in Hampton Bay through the purchase of this ottoman. We strive to continually create quality products designed to enhance your home. Visit us online to see our full line of products available for your home improvement needs. Thank you for choosing Hampton Bay!

Table of Contents

Table of Contents	2	Hardware Included.....	3
Safety Information	2	Ottoman Package Contents	4
Warranty	2	Assembly.....	5
What is covered	2	Care and Cleaning	6
What is not covered	2		
Pre-Assembly	3		
Planning Assembly.....	3		

Safety Information



CAUTION: Read all of the instructions in this manual before you begin assembly. Failure to do so may result in faulty assembly and potential injury!

Warranty

2 YEAR WARRANTY

WHAT IS COVERED

We warrant the product to be free of manufacturing defects to the original purchaser for two years.

WHAT IS NOT COVERED

It remains the customer's responsibility for freight and packaging charges to and from our service center. This warranty does not cover commercial use, hardware, acts of nature, freezing, or abusive use. In addition, purchased parts are not covered under this warranty.

We reserve the right to make substitutions with similar merchandise, if the model in question is no longer in production.


Contact Customer Care at 1-855-HD-HAMPTON or visit www.hamptonbay.com.

Pre-Assembly


PLANNING ASSEMBLY

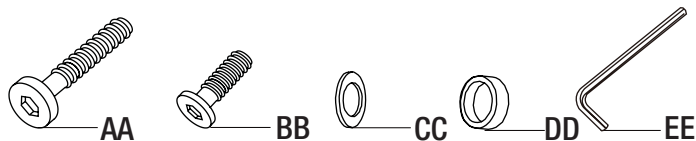
Please read this entire instruction manual prior to assembly.

Identify all parts packed in the carton against the parts list. Remove all protective materials and place the parts on a non-abrasive surface to avoid scratching.

 **NOTE:** More than one person may be required to assemble this product.

HARDWARE INCLUDED

 **NOTE:** Hardware not shown to actual size.



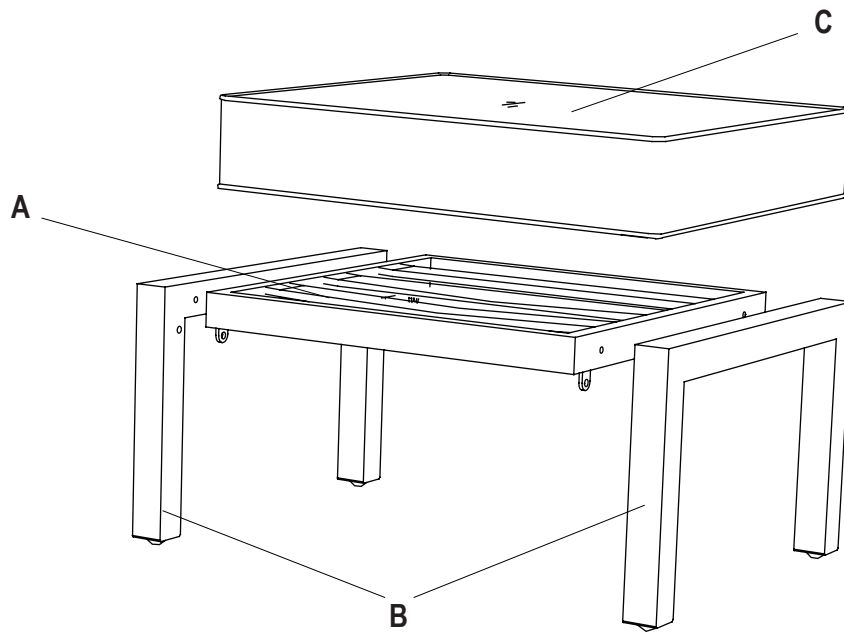
Part	Description	Quantity
AA	M6x35 Bolt	4
BB	M6x18 Bolt	4
CC	Washer	8
DD	Bolt Cap	8
EE	Hex Wrench	1

Pre-Assembly

OTTOMAN PACKAGE CONTENTS



IMPORTANT: Do not fully tighten bolts/screws until all pieces are loosely assembled.



Part	Description	Quantity
A	Ottoman top	1
B	Leg	2
C	Cushion	1

Assembly

1 Attaching the legs to the ottoman top

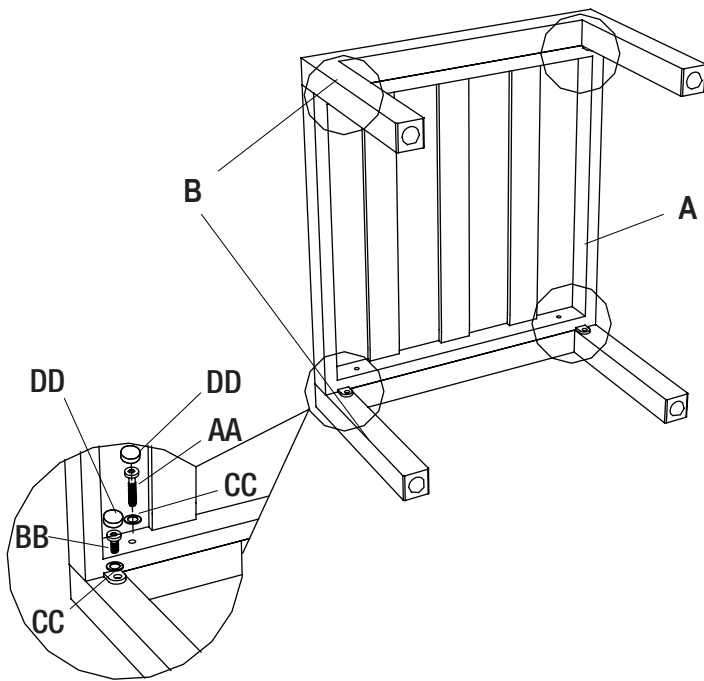
- Place the ottoman top (A) on a soft, flat surface. Attach the legs (B) to the top (A) using M6 bolts (AA and BB), and washers (CC). Fully tighten all bolts and then cover the bolts with the plastic caps (DD).



NOTE: Ensure all the bolts are assembled correctly and use the hex wrench (EE) to tighten.

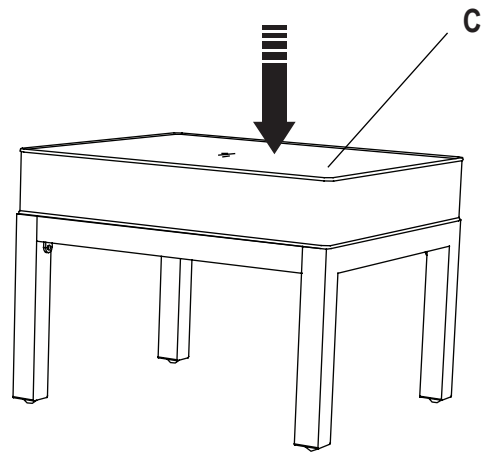


IMPORTANT: Do not fully tighten bolts/screws until all pieces are loosely assembled.



2 Placing the cushion

- Turn the ottoman over and set it down on its legs. Place the cushion (C) on the ottoman.



Care and Cleaning

- Do not allow water to build up in the frames. This will cause corrosion and possible freezing damage in cold climates.
- Use a mild soap and water for normal cleaning. Do not use janitorial or alcohol based cleaners. Some cleaners may be marked as natural, but some ingredients may cause discoloration or have an adverse reaction to your finish.
- Rinse with clean water and dry with a soft, absorbent cloth towel.
- Treat the frames with a liquid wax for maximum protection against UV rays and/or salty, damp air.



Questions, problems, missing parts? Before returning to the store,
call Hampton Bay Customer Service
8 a.m.-7 p.m., EST, Monday-Friday,
9 a.m.-6 p.m., EST, Saturday

1-855-HD-HAMPTON

HAMPTONBAY.COM

Retain this manual for future use.