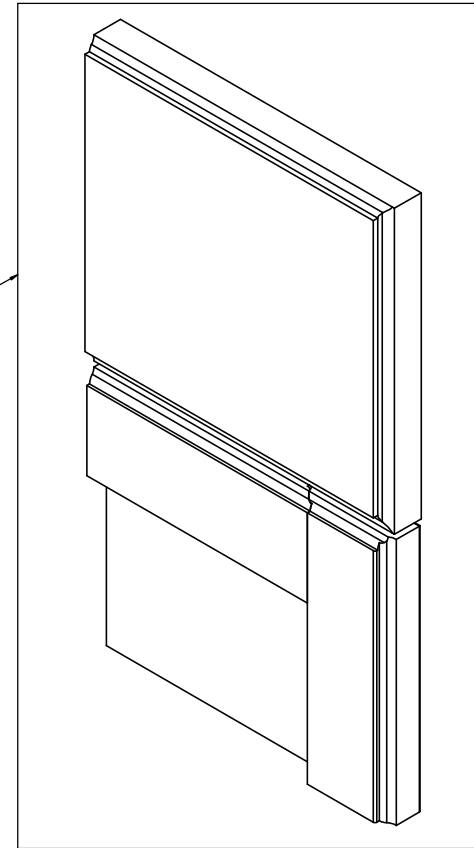
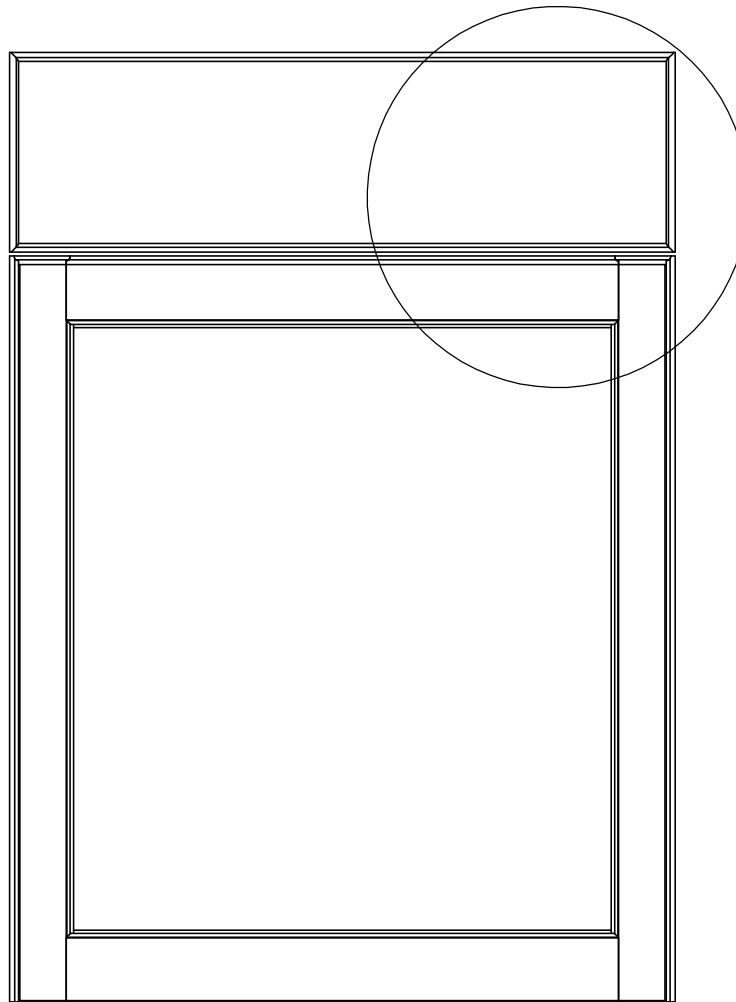


Item ID	Front Thickness [in] mm	Door Thickness [in] mm
EH2135B-GB	[.75] 19	[.75] 19

This profile belongs to EH2135B-GB



Detailed View

Profile: Easthaven German Beech

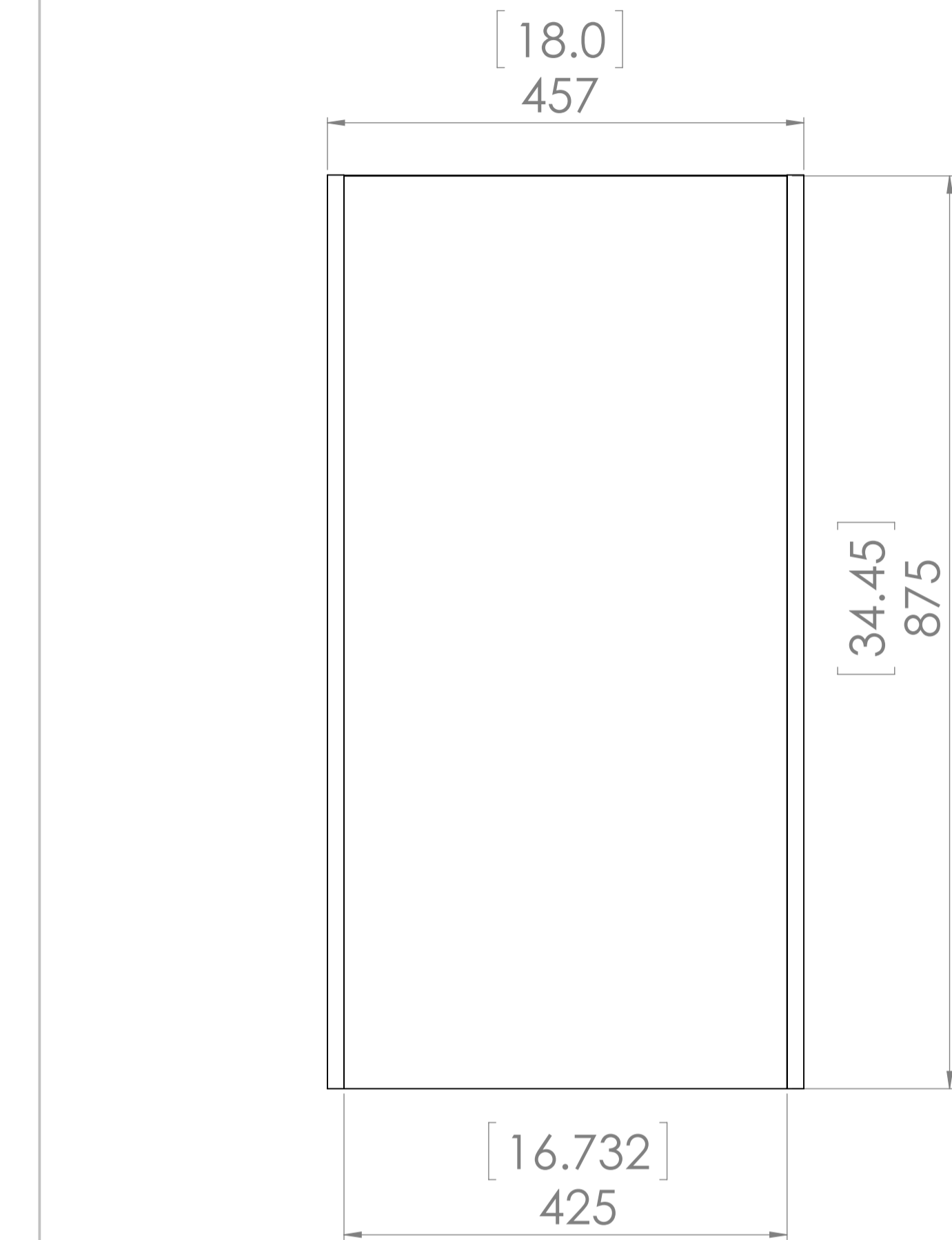
PROPRIETARY AND CONFIDENTIAL
 THE INFORMATION CONTAINED IN THIS DRAWING IS THE SOLE PROPERTY OF WOODCRAFTERS. ANY REPRODUCTION IN PART OR AS A WHOLE WITHOUT THE WRITTEN PERMISSION OF WOODCRAFTERS IS PROHIBITED.

UNLESS OTHERWISE SPECIFIED
 DIMENSIONS ARE IN MM AND [INCHES]
 TOLERANCES ARE
 +.039[1]-.039[1]
 SCALE:1:2

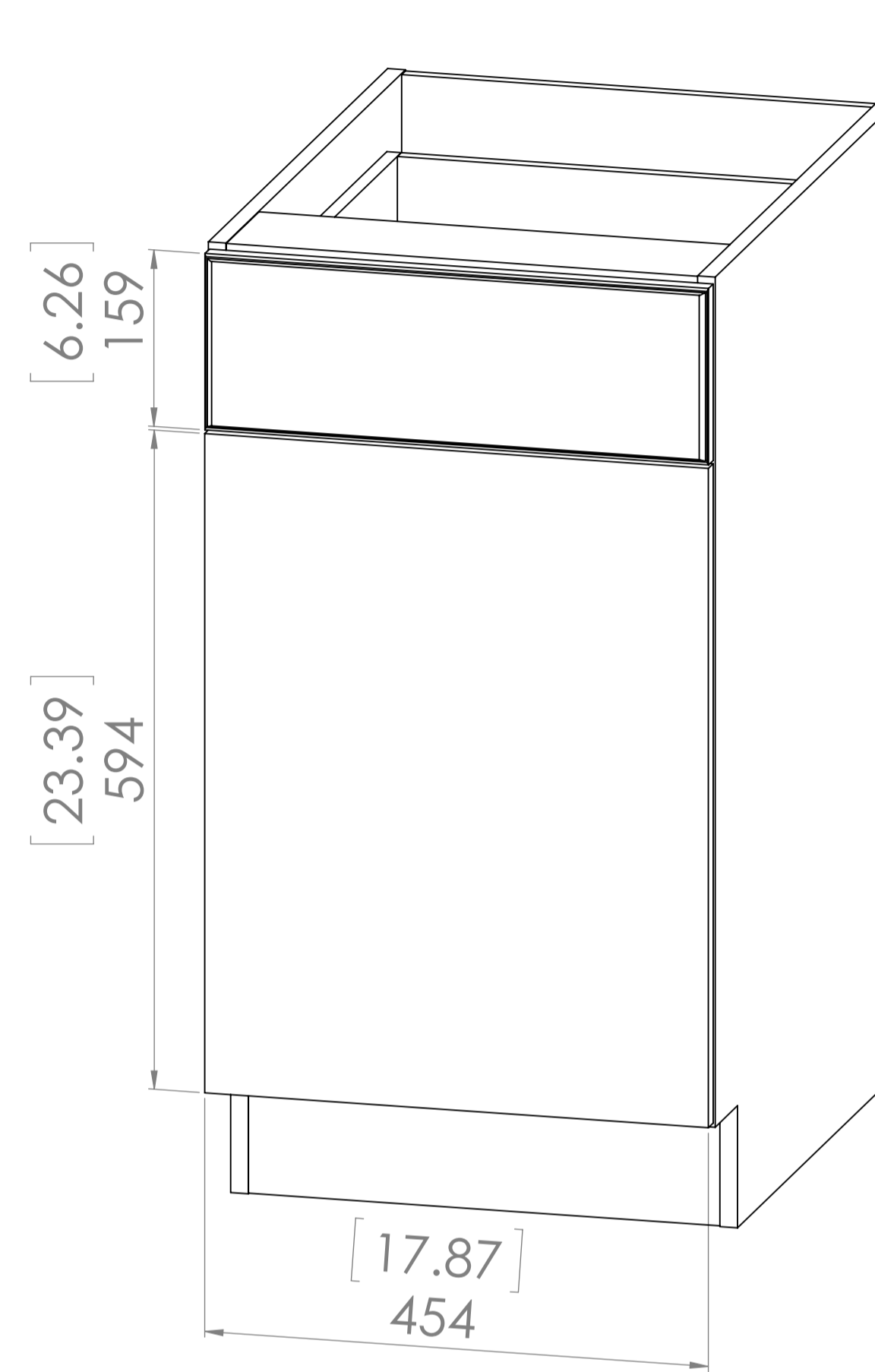


Item ID	Shelf Thickness [in] mm	Shelf Length and Width [in] mm	Depth "X" [in] mm
BT1835B-BT	[.75] 19	L:[10.57] 268.5 W:[16.57] 421	[24.60] 625
BT1835B-WH	[.75] 19		[24.44] 621
CM1835B-DK	[.75] 19		[24.60] 625
CM1835B-WH	[.59] 15		[24.44] 621
EH1835B-GB	[.75] 19		[24.60] 625
BT1835B-RC	[.75] 19		[24.60] 625
CM1835B-KG	[.75] 19		[24.44] 621

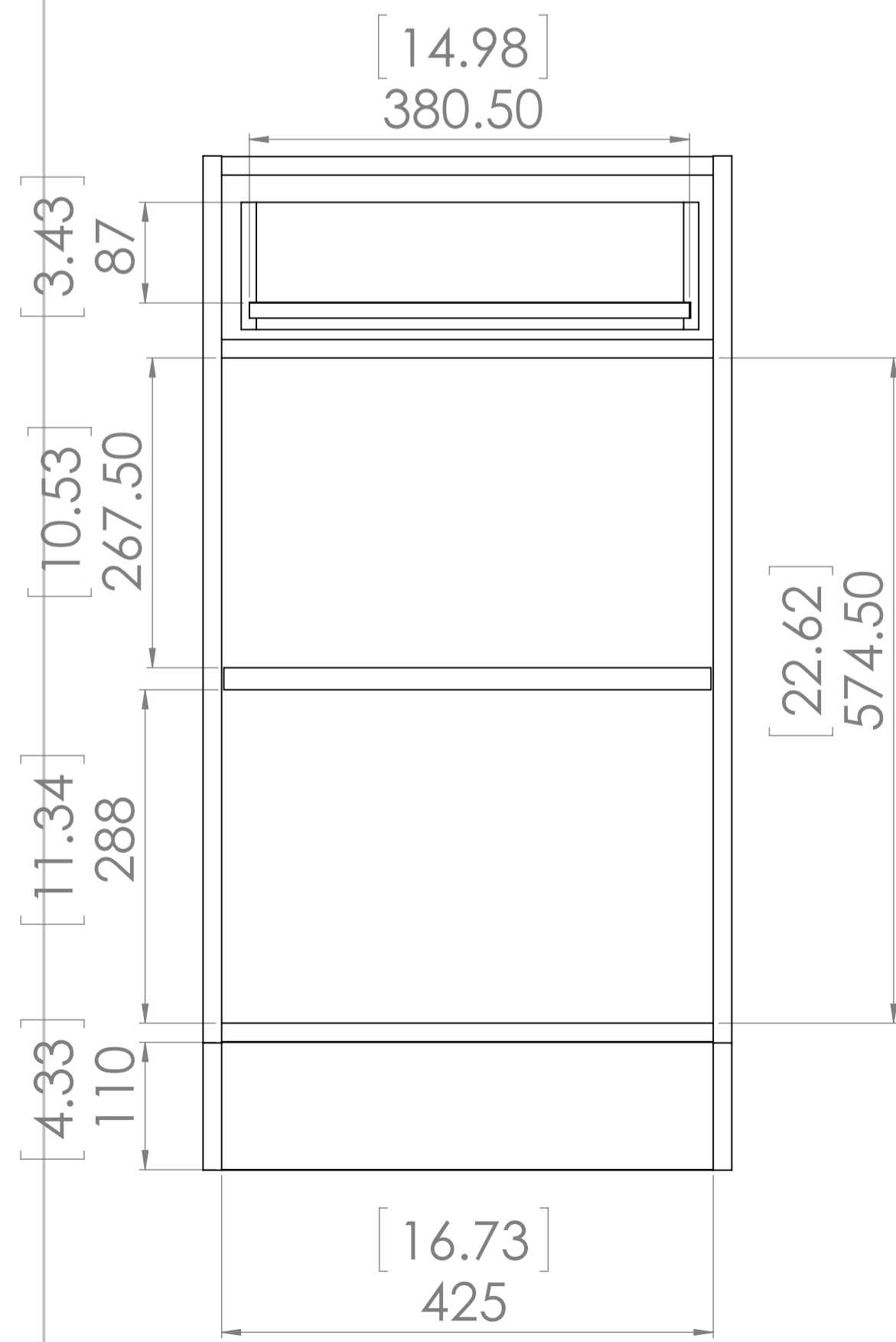
Description					
Kitchens - Base Cabinet 18 with Soft Close Full Extension Drawer					
REV	ECO#	Description	REV'D BY DATE	CHK'D BY DATE	APRV'D BY DATE
2		New model added	11/09/17	11/09/17	11/09/17



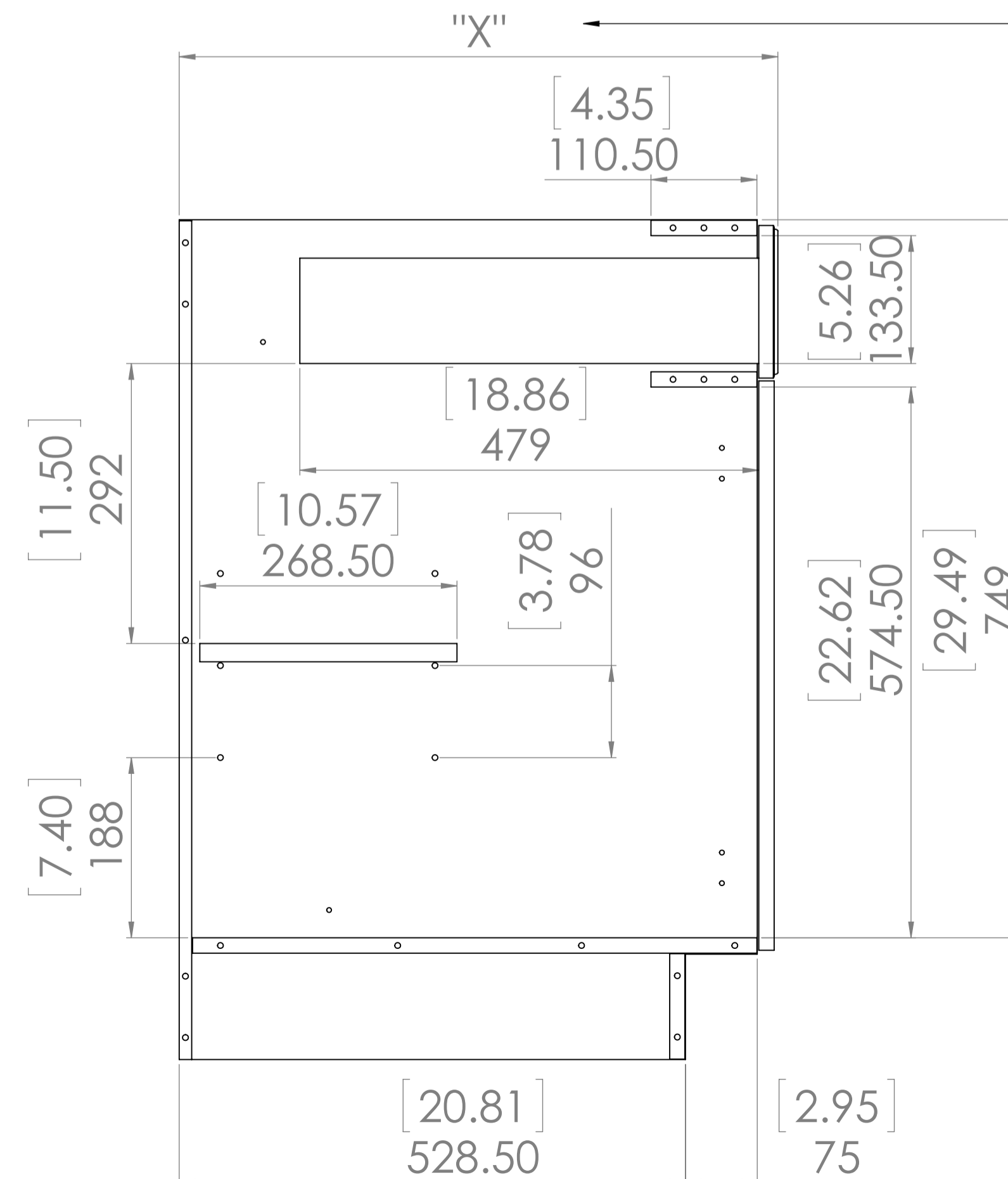
Back View



Isometric View




**Front View
(front door removed)**



Depth "X" depends on door profile

**Side View
(left panel removed)**

	NAME	SIGNATURE	DATE	MATERIAL:	
DRAWN	R. Rubio		11/09/17	Plywood CM-WH.	
CHK'D	R. Rubio		11/09/17	Particle Board the	
APPV'D	R. Rubio		11/09/17	other Cabinets.	
MFG	R. Rubio		11/09/17		
PROPRIETARY AND CONFIDENTIAL THE INFORMATION CONTAINED IN THIS DRAWING IS THE SOLE PROPERTY OF WOODCRAFTERS. ANY REPRODUCTION IN PART OR AS A WHOLE WITHOUT THE WRITTEN PERMISSION OF WOODCRAFTERS IS PROHIBITED.				UNLESS OTHERWISE SPECIFIED DIMENSIONS ARE IN mm. AND (INCHES) TOLERANCES ARE +/- 1[0.039] SCALE:1:5	Base Cabinet_18in SCALE:1:10 SHEET 1 OF 1