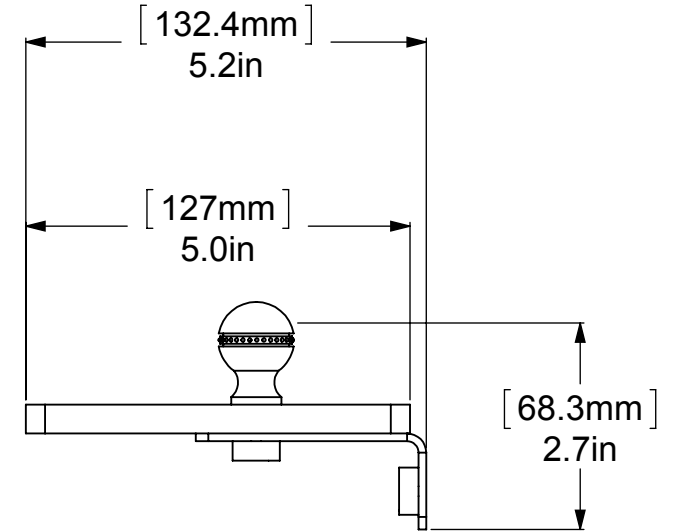
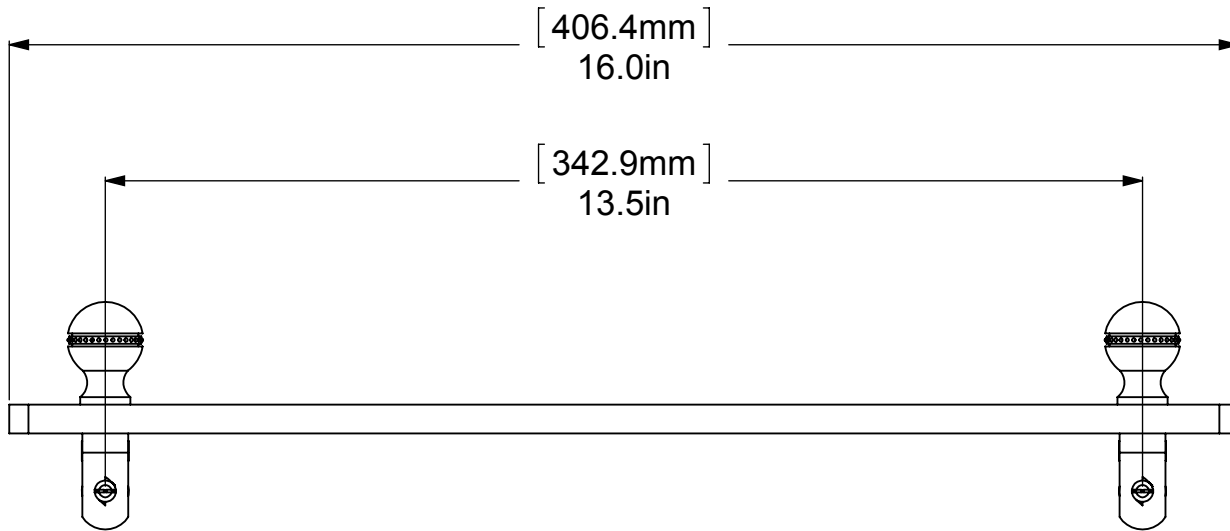
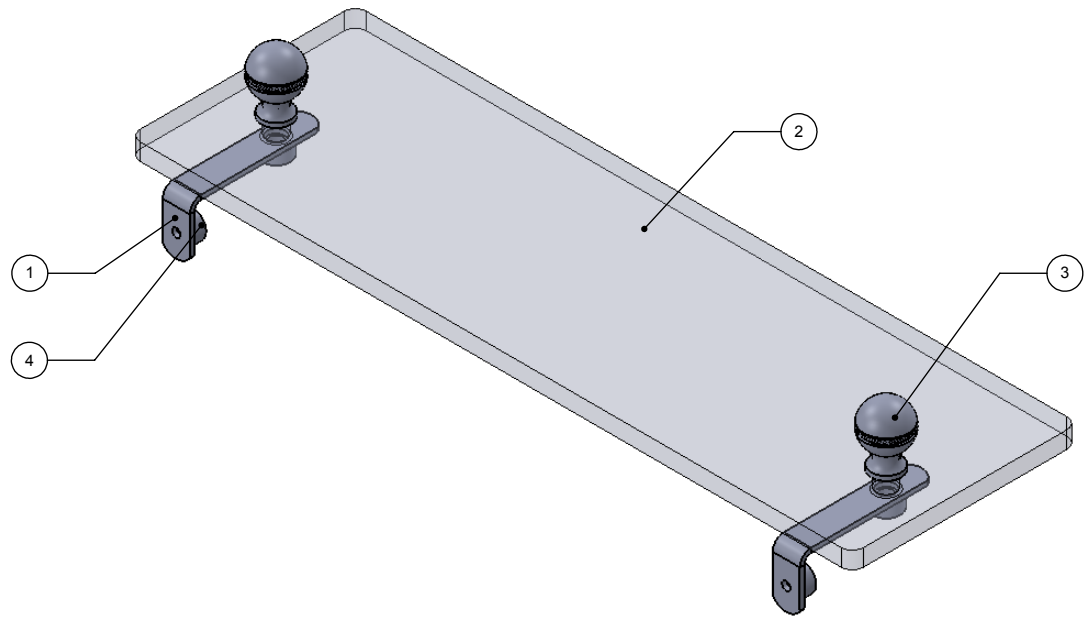


ITEM NO.	P/N	Description	QTY.
1	BKSH-2AD	BRACKET	2
2	GLRT-16	GLASS	2
3	MA-FT	END CAP	2
4	CARD-58	LOCK	4



UNLESS OTHERWISE STATED

.X	$\pm .3\text{mm}$
.XX	$\pm .15\text{mm}$
.XXX	$\pm .008\text{mm}$

COPYRIGHT © Allied Brass 2016



THIRD ANGLE PROJECTION

DRAWN	7/7/2016	I.M	MATERIAL:	BRASS	FINISH	TBD	
CHECKED	7/7/2016	P.D	DESCRIPTION:	SHELF	QUANTITY	TBD	
APPROVED	7/7/2016	R.A			DRAWING No.	REV	
					MA-1-16		
					SCALE	1:2.5	SHEET: 01