

INSTALLATION INSTRUCTIONS CARE AND MAINTENANCE

American Standard

AMERICAN STANDARD FURNITURE FOR TOWNSEND SINKS

Thank you for selecting American Standard - the benchmark of fine quality for over 100 years. To ensure this product is installed properly, please read these instructions carefully before you begin. (Certain installations may require professional help.) Also be sure your installation conforms to local codes.

To maintain the beauty of the finish, avoid placing the furniture in direct sunlight, as sunlight causes fading. Also avoid extreme changes in temperature by arranging furniture away from radiators, heat and air vents, and air conditioning units. Avoid placing furniture directly under windows.

Recommended Tools & Materials



Level



Pencil



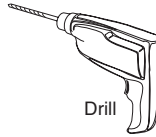
Tape Measure



Safety Glasses



Siliconized
Acrylic Caulk



Drill



Phillips
Screwdriver



Regular
Screwdriver

PLUS:

- Wood Screws
- Framing Nails
- 2x4 or 2x6 Wood

Townsend Sinks (separate purchase required)

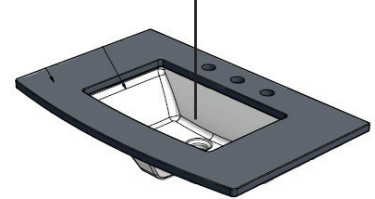
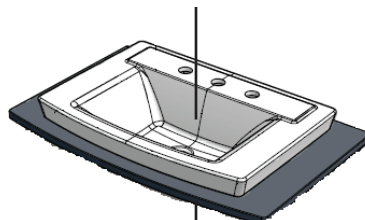
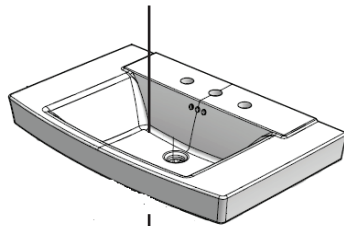
0328 series

or

0329 series

or

0330 series



Quartz Tops (separate purchase - required)

7840.000 series

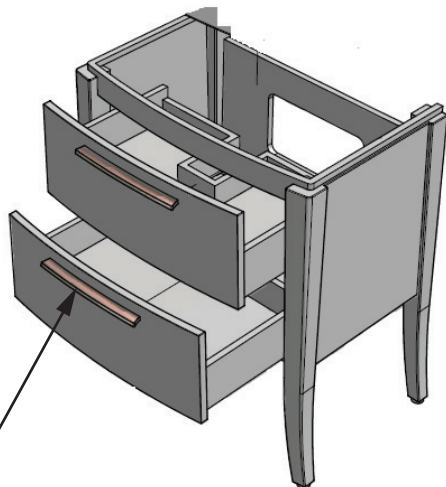
or

7840.800

Attaches to top of furniture:

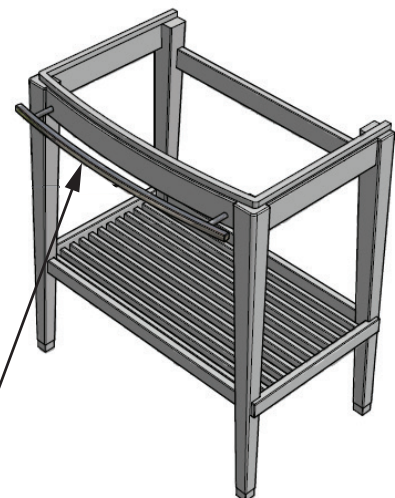
Vanity

9036.030.020 or 9036.030.475
(includes four leveling foot pads)



Washstand

9039.030.020 or 9039.030.475
(includes four leveling foot pads)



Drawer Pull Set of Two (separate purchase - required)
7760.000.002 or 7760.000.295
(includes four attachment screws)

Towel bar (separate purchase - required)
3749.000.002 or 3749.000.295
(includes two attachment screws)

Faucet and drain sold separately

SAVE FOR FUTURE USE



770250-100

Product names listed herein are trademarks of AS America, Inc.
© AS America, Inc. 2017

770250-100

BEFORE YOU BEGIN:

Furniture must be used with Townsend based sinks and quartz tops shown on first page. Other sinks and tops are not compatible with the furniture.

CAUTION: Risk of product damage. Siliconized acrylic caulk must be used to secure the furniture top to the furniture. Do not use 100% silicone sealant as it could damage the furniture finish.

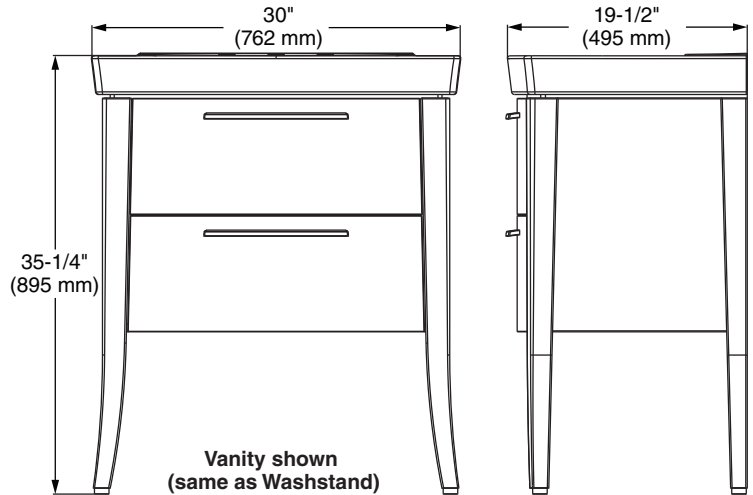
Prior to installation, unpack the furniture and associated accessories and inspect them for damage. Return the product to the protective carton until you are ready to install it.

Refer to the appropriate sink, faucet, and drain documents for installation details. This document is specifically for the furniture installation only.

The furniture is designed to allow base moldings to pass behind them. However, any moldings that may inhibit the furniture from being flush against the wall should be notched accordingly.

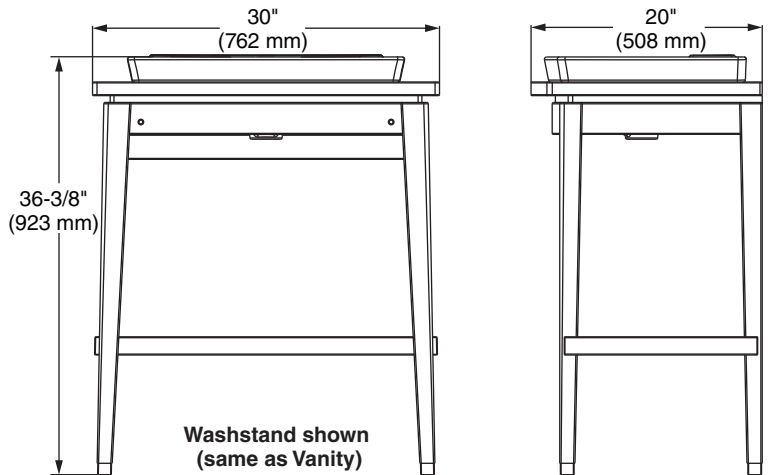
American Standard Furniture Rough-In Dimensions (see sink rough-ins for faucet and drain details)

Nominal Dimensions: 9036.030 Vanity or 9039.030 Washstand
with 0328 Series Townsend Pedestal Sinks



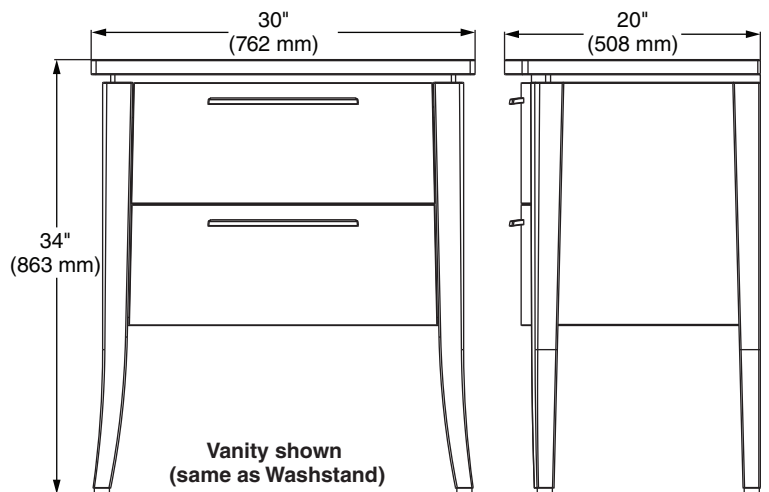
American Standard Furniture Rough-In Dimensions (see sink rough-ins for faucet and drain details)

Nominal Dimensions: 9036.030 Vanity or 9039.030 Washstand
with 0329 Series Townsend Above Counter Sinks and 7840.000.820 Quartz Top



American Standard Furniture Rough-In Dimensions (see sink rough-ins for faucet and drain details)

Nominal Dimensions: 9036.030 Vanity or 9039.030 Washstand
with 0330.000 Townsend Under Counter Sinks and 7840.800.820 Quartz Top



FURNITURE INSTALLATION STEPS:

1. Assemble two drawer pulls to vanity using supplied M5 x 25 screw mounting kit 770251-100 or assemble towel bar to washstand using supplied M8 x 25 screw mounting kit 770252-200 (Figure 1). Note that the drawer pulls and towel bar are required accessories that are purchased separate from the furniture itself.
2. Prepare the wall to safely secure the furniture in place. Provide suitable reinforcement behind the finished wall. Centerline of reinforcement should be 31" (787mm) from the floor (Figure 2).
3. Level furniture by adjusting each of the four 770253-200 leveling feet (Figure 3). Four leveling feet are included with the furniture purchase.
Drill at least two 3/8" (10mm) diameter anchoring holes through the centerline of the rear stringer of the furniture and attach furniture to wall with wood screws not included with furniture. Per step 2 detail, the screws shall be inserted into suitable reinforcement within the wall. Anchor the furniture to the wall through at least two of the anchoring holes in the rear of the furniture.
4. Install the Townsend sink top to the furniture. Refer to the appropriate sink installation instructions for sink details. Note that one of the top options shown on the previous pages are required and are purchased separate from the furniture itself.
5. Apply a 1/8" (3mm) thick bead of water-based caulk around the top edge of the furniture (Figure 4) and place top on furniture. Refer to the first page regarding caulk type. Allow caulk to dry before proceeding.
6. Purchase and install the appropriate faucet and drain according to the manufacturer's instructions.

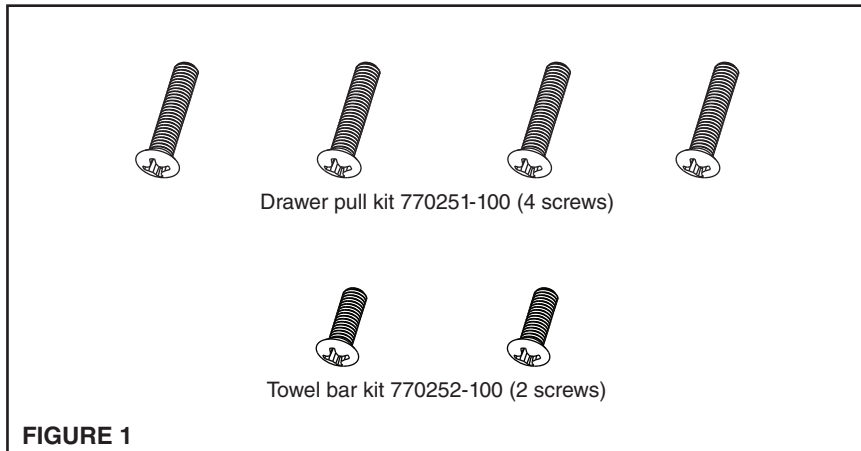


FIGURE 1

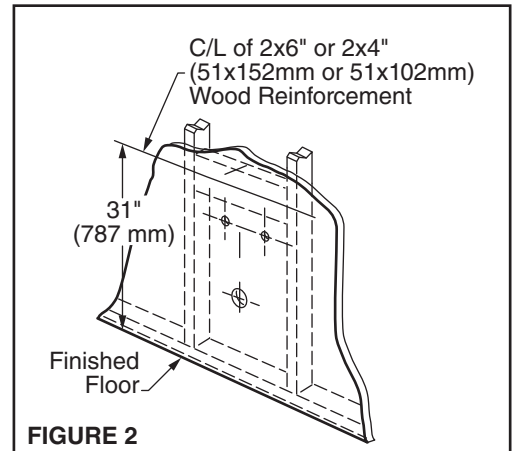


FIGURE 2

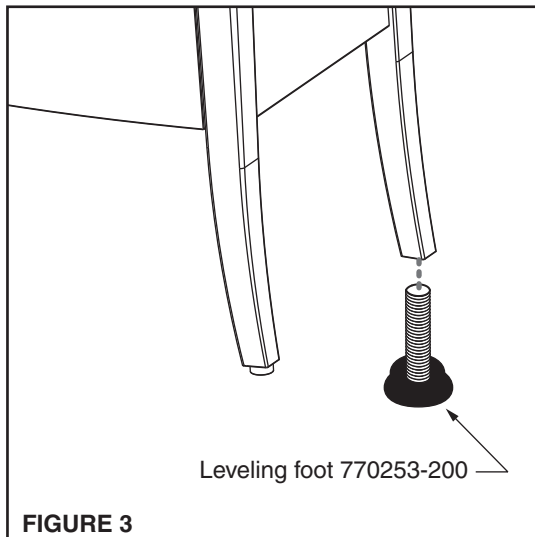


FIGURE 3

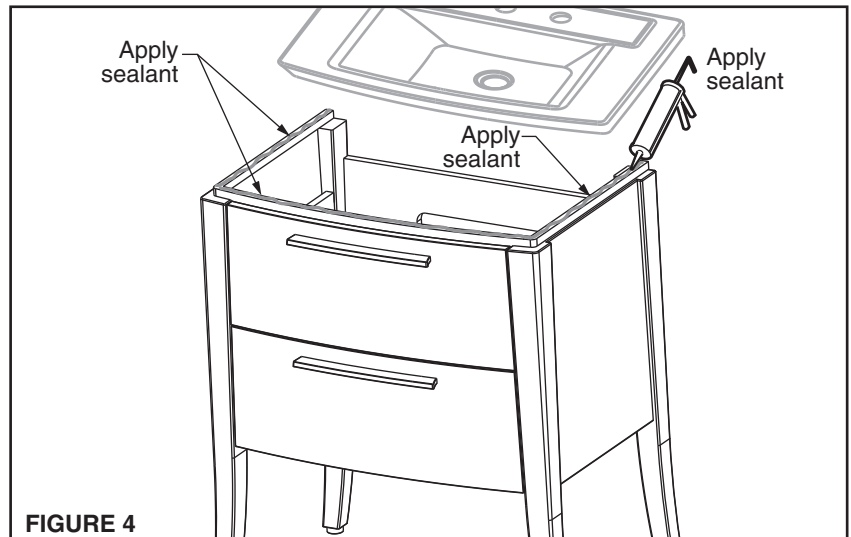


FIGURE 4

RECOMMENDED CARE AND CLEANING OF AMERICAN STANDARD FURNITURE:

1. Clean the furniture and quartz tops using soft, slightly damp cloth. Buff the product by using a soft dry cloth.
2. Avoid using silicone cleaners and waxes. Clean up excess water and spills immediately and use a blotting rather than a wiping action. Water left over a long period of time will cause white spots in the finish.
3. **NOTE:** Some chemicals may damage the product finishes. Take care to avoid the following: iodine, hair dye, after shave lotion, shaving cream, alcohol, perfume, Lestoil®, Lysol Tub and Tile Cleaner®, Lysol Spray Disinfectant®, Dow Disinfectant®, acetone, paint remover, Formula 409®, Tile-X® and Nair®.

AS AMERICA, INC. BATHROOM FURNITURE LIMITED WARRANTY

If inspection of this AS America, Inc. ("American Standard®") plumbing product, within one year after its initial purchase, confirms that it is defective in materials or workmanship, American Standard will repair or, at its option, exchange the product for a similar model. Variations in actual wood color and finishes which may result from natural characteristics of the wood, such as grain patterns, mineral streaks and the like, are not defects and are not covered by this limited warranty.

This limited warranty applies only to the original purchaser and installation of these products. In the event of a claim, proof of purchase will be required – **save sales receipts**.

This limited warranty does not apply to local building code compliance. Since local building codes vary considerably, the purchaser of this product should check with a local building or plumbing contractor to ensure local code compliance before installation.

This limited warranty is void if the product has been moved from its initial place of installation; if it has been subjected to faulty maintenance, abuse, misuse, accident or other damages; if it was not installed in accordance with American Standard's instructions; or if it has been modified in a manner inconsistent with the product as shipped by American Standard.

American Standard's option to repair or exchange the product under this limited warranty does not cover any labor or other costs of removal or installation, nor shall American Standard be responsible for any other incidental or consequential damages attributable to a product defect or to the repair or exchange of a defective product, all of which are expressly excluded from this limited warranty. This limited warranty does not cover any liability for consequential or incidental damages, all of which are hereby expressly disclaimed, or the extension beyond the duration of this limited warranty or any implied limited warranties, including those of merchantability or fitness for an intended purpose. (Some states or provinces do not allow the exclusion or limitation of implied limited warranties, so this exclusion may not apply to you).

This limited warranty gives you specific legal rights. You may have other statutory rights that vary from state to state or province to province, in which case this limited warranty does not affect such statutory rights.

In the United States:

American Standard Brands
1 Centennial Ave.
Piscataway, New Jersey 08854
Attention: Director of Customer Care
For residents of the United States, warranty information may also be obtained by calling the following toll free number: (800) 442-1902
www.americanstandard.com

In Canada:

AS Canada, ULC
5900 Avebury Rd.
Mississauga, Ontario
Canada L5R 3M3
Toll Free: (800) 387-0369
www.americanstandard.ca

In Mexico:

American Standard B&K Mexico
S. de R.L. de C.V.
Via Morelos #330
Col. Santa Clara
Ecatepec 55540 Edo. Mexico
Toll Free: 01-800-839-1200
www.americanstandard.com.mx

AS AMERICA, INC. QUARTZ TOP LIMITED WARRANTY

If inspection of this AS America, Inc. ("American Standard") plumbing product, within one year after its initial purchase, confirms that it is defective in materials or workmanship, American Standard will repair or, at its option, exchange the product for a similar model. Variations in shading, veining, and texture which may result from natural characteristics of stone and as such are not defects and are not covered by this limited warranty.

This limited warranty applies only to the original purchaser and installation of these products. In the event of a claim, proof of purchase will be required; save your receipt.

This limited warranty does not apply to local building code compliance. Since local building codes vary considerably, the purchaser of this product should check with a local building or plumbing contractor to insure local code compliance before installation.

This limited warranty is void if the product has been moved from its initial place of installation; if it has been subjected to faulty maintenance, abuse, misuse, accident or other damages; if it was not installed in accordance with American Standard's instructions; or if it has been modified in a manner inconsistent with the product as shipped by American Standard.

American Standard's option to repair or exchange the product under this limited warranty does not cover any labor or other costs of removal or installation, nor shall American Standard be responsible for any other incidental or consequential damages attributable to a product defect or to the repair or exchange of a defective product, all of which are expressly excluded from this limited warranty. This limited warranty does not cover any liability for consequential or incidental damages, all of which are hereby expressly disclaimed, or the extension beyond the duration of this limited warranty of any implied limited warranties, including those of merchantability or fitness for an intended purpose. (Some states or provinces do not allow the exclusion or limitation of implied limited warranties, so this exclusion may not apply to you).

This limited warranty gives you specific legal rights. You may have other statutory rights that vary from state to state or province to province, in which case this limited warranty does not affect such statutory rights.

In the United States:

American Standard Brands
1 Centennial Ave.
Piscataway, New Jersey 08854
Attention: Director of Customer Care
For residents of the United States, warranty information may also be obtained by calling the following toll free number: (800) 442-1902
www.americanstandard.com

In Canada:

AS Canada, ULC
5900 Avebury Rd.
Mississauga, Ontario
Canada L5R 3M3
Toll Free: (800) 387-0369
www.americanstandard.ca

In Mexico:

American Standard B&K Mexico
S. de R.L. de C.V.
Via Morelos #330
Col. Santa Clara
Ecatepec 55540 Edo. Mexico
Toll Free: 01-800-839-1200
www.americanstandard.com.mx

INSTALLATION INSTRUCTIONS CARE AND MAINTENANCE



0328 TOWNSEND® PEDESTAL SINK

Thank you for selecting American Standard - the benchmark of fine quality for over 100 years. To ensure this product is installed properly, please read these instructions carefully before you begin. (Certain installations may require professional help.) Also be sure your installation conforms to local codes.

▲ CAUTION: PRODUCT IS FRAGILE. TO AVOID BREAKAGE AND POSSIBLE INJURY HANDLE WITH CARE!
NOTE: Pictures may not exactly define contour of china and components.

OBSERVE LOCAL PLUMBING AND BUILDING CODES

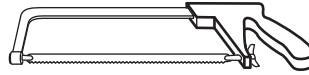
Recommended Tools & Materials



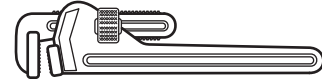
Putty Knife



Adjustable Wrench



Hacksaw



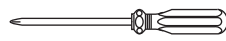
Pipe Wrench



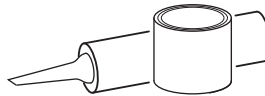
Channel Lock Pliers



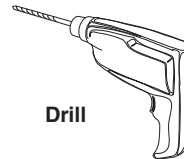
Regular Screwdriver



Phillips Screwdriver



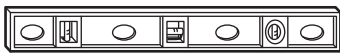
Plumbers' Putty or
Caulking



Drill



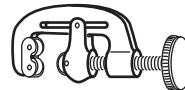
Basin Wrench



Level



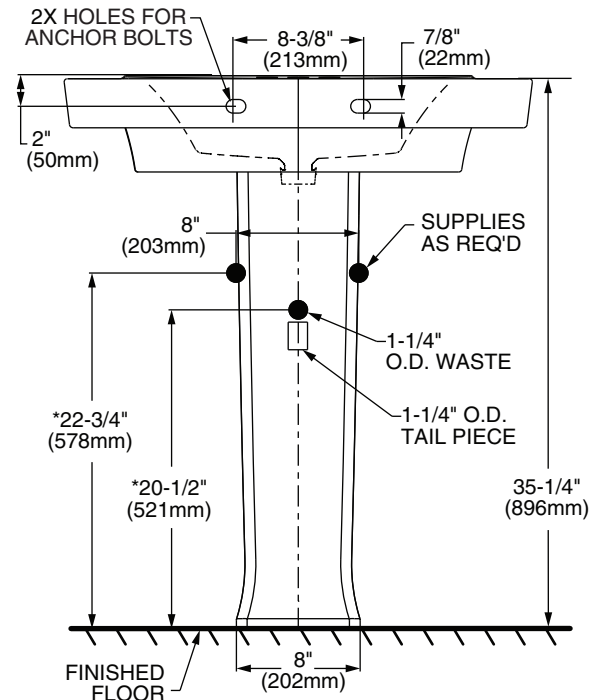
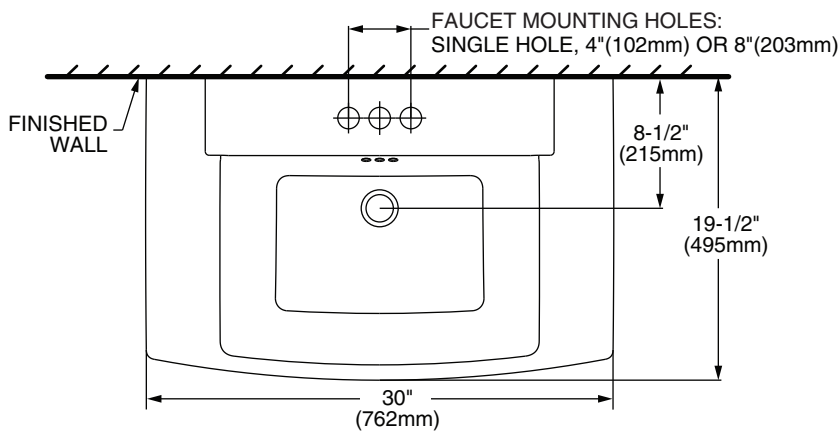
Tape Measure



Tubing Cutter



Saber Saw



7302307-100

In the United States:

American Standard Brands
1 Centennial Ave.
Piscataway, New Jersey 08855
Attention: Director of Customer Care
For residents of the United States, warranty information may also be obtained by calling the following toll free number: (800) 442-1902
www.americanstandard.com

In Canada:

AS Canada, ULC
5900 Avebury Rd.
Mississauga, Ontario
Canada L5R 3M3
Toll Free: (800) 387-0369
www.americanstandard.ca

In Mexico:

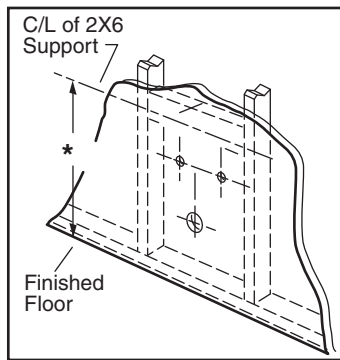
American Standard B&K Mexico
S. de R.L. de C.V.
Via Morelos #330
Col. Santa Clara
Ecatepec 55540 Edo. Mexico
Toll Free: 01-800-839-1200
www.americanstandard.com.mx

1

Provide suitable reinforcement behind finished wall for lavatory mounting screws.

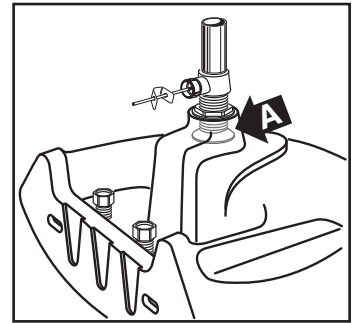
* Determine horizontal center line location of support from fixture.

NOTE: If replacing an existing sink be certain to shut off water supply before removing old sink.



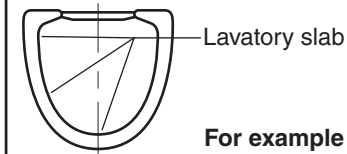
6

Following manufacturer's instructions, install faucet and drain assembly (not included). Be certain to apply a bead of sealing putty on the underside of the drain (area "A") in order to ensure a watertight seal between the lavatory and drain. Remove excess putty after installing drain on lavatory.



2

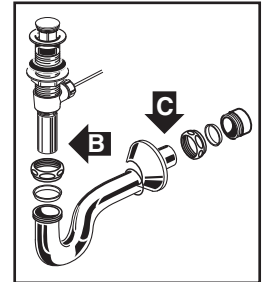
Top of Pedestal



Place lavatory and pedestal into installed position. Level and square the lavatory and pedestal assembly.

7

Return the fitted lavatory to the installed position. Connect trap to drain assembly hand tight to check alignment. It may be necessary to cut off part of the tailpiece (area "B") or part of the horizontal leg of the trap (area "C").

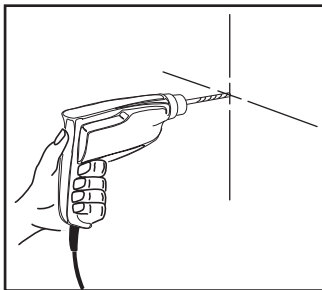


3

Mark lavatory and pedestal screw locations through the mounting holes.

4

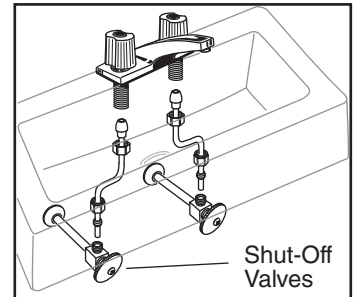
Remove lavatory and pedestal from installed position. Drill pilot holes for lavatory and pedestal anchor screws or lag bolts.



Note: Some models are supplied with lag bolts, anchor screws, or steel hangers for lavatory installations only. Other models and all pedestals are not provided with mounting hardware. Various pedestal screw sizes and types are available to the installer at local hardware outlets.

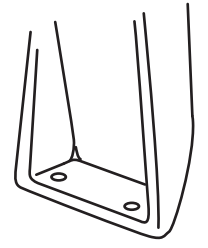
8

Secure lavatory to wall as shown in **Step 5**. Install washers and hand tighten nuts or lag bolts. Level and square the unit. Connect hot and cold supply lines to the shut-off valves. Tighten trap joints for watertight assembly.



9

Rear View

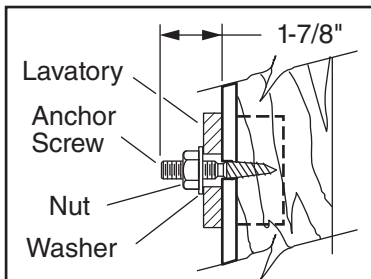


Note: Space constraints may dictate method of fastening pedestal to floor.

5

ANCHOR SCREW INSTALLATION

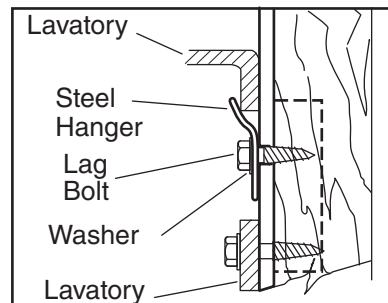
Install lavatory anchor screws leaving 1-7/8" threaded end exposed as illustrated.



ALTERNATE METHOD: COMPONENTS NOT INCLUDED

LAG BOLT INSTALLATION

Use lag bolts to secure lavatory as illustrated.



IMPORTANT: Final assembly of nut and washer or lag bolt method shown for reference only.

INSTRUCCIONES DE INSTALACIÓN CUIDADO Y MANTENIMIENTO

American Standard

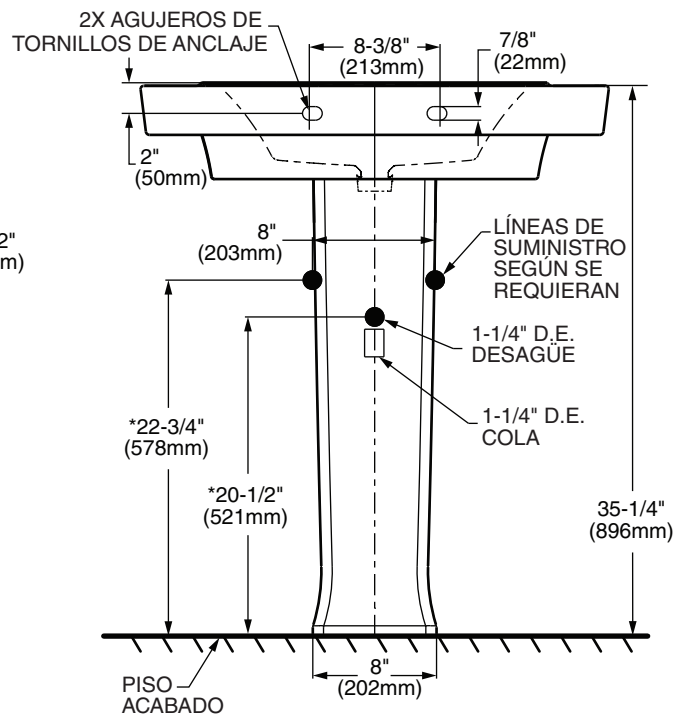
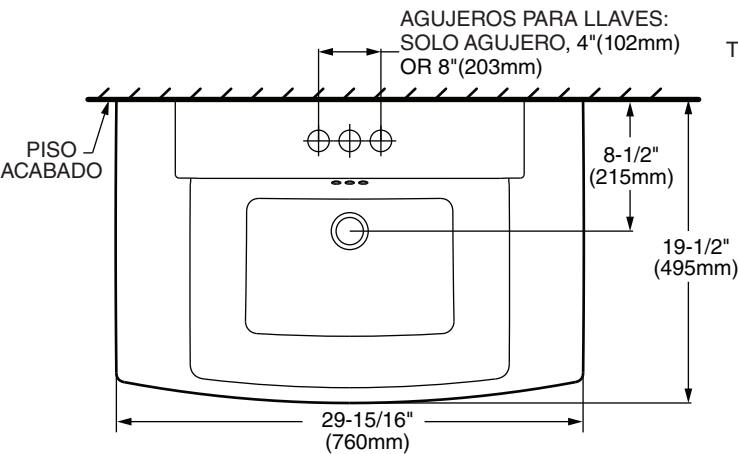
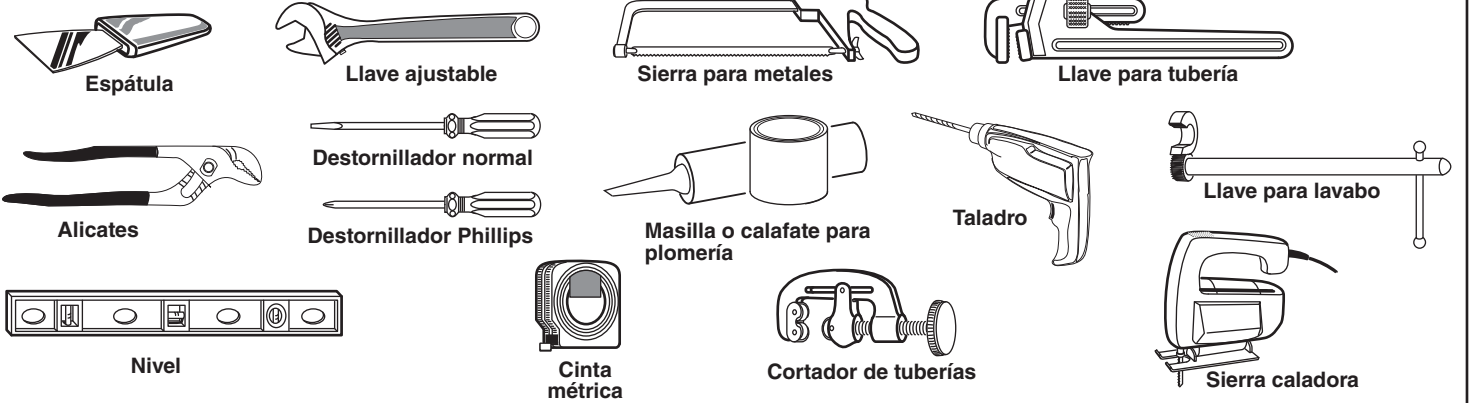
0328 TOWNSEND® PEDESTAL LAVABO

Gracias por elegir American Standard - el parámetro de primera calidad por más de 100 años. Para asegurarse de que el producto esté instalado correctamente, por favor lea estas instrucciones cuidadosamente antes de comenzar. (Ciertas instalaciones pueden requerir ayuda profesional). Asegúrese de que su instalación cumpla con los códigos locales.

▲ PRECAUCIÓN: EL PRODUCTO ES FRÁGIL. ¡MANÍPÚLELO CON CUIDADO PARA NO ROMPERLO Y EVITAR POSIBLES LESIONES!
NOTA: es posible que las imágenes no definan con exactitud el contorno de la loza y los componentes.

CUMPLA LAS NORMAS LOCALES DE PLOMERÍA Y CONSTRUCCIÓN

Herramientas y Materiales Recomendados



En los Estados Unidos:
American Standard Brands
1 Centennial Ave
Piscataway, New Jersey 08854
Atención: Director de Servicio al Cliente
Para los residentes en los Estados Unidos, la información de la garantía puede obtenerse también llamando al siguiente número sin cargo: (800) 442-1902
www.americanstandard.com

En Canadá:
AS Canada, ULC
5900 Avebury Rd.
Mississauga, Ontario
Canadá L5R 3M3
Número sin cargo: (800) 387-0369
www.americanstandard.ca

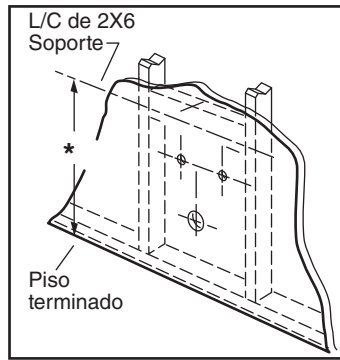
En México:
American Standard B&K México
S. de R. L. de C.V.
Vía Morelos #330
Col. Santa Clara
Ecatepec 55540 Edo. México
Número sin cargo: 01-800-839-1200
www.americanstandard.com.mx

1

Refuerce adecuadamente la parte posterior de la pared terminada, donde van los tornillos de montaje del lavatorio.

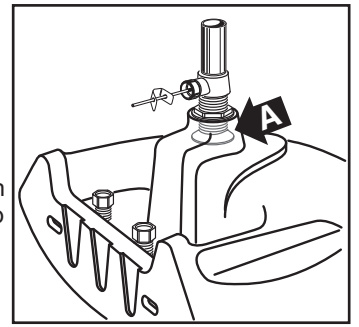
* Determine la ubicación de la línea central horizontal de soporte del artefacto.

NOTA: en caso de reemplazar un lavabo existente, asegúrese de cerrar el suministro de agua antes de quitar el lavabo antiguo.



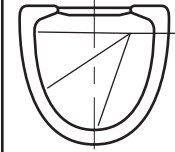
6

Instale el conjunto de grifo y drenaje (no incluido) de acuerdo a las instrucciones del fabricante. Asegúrese de aplicar una base de masilla para sellar en la parte inferior del drenaje (Área "A"), a fin de garantizar un sellado hermético entre el lavatorio y el drenaje. Retire el exceso de masilla después de instalar el drenaje en el lavatorio.



2

Parte superior del pedestal



Ubicaciones aproximadas de las almohadillas para elevar el costado izquierdo de la loza del lavatorio.

Sólo un ejemplo

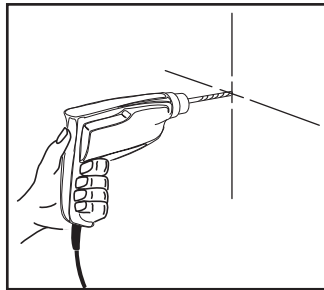
Coloque el lavatorio y el pedestal en la posición de instalación. Nivele y haga cuadrar el conjunto de lavatorio y pedestal. Use una o más almohadillas de amortiguación para nivelar y amortiguar la loza del lavatorio en el pedestal.

3

Marque los tornillos de sujeción del lavatorio y el pedestal a través de los agujeros de montaje.

4

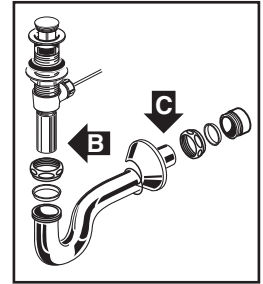
Retire el lavatorio y el pedestal de la posición de instalación. Taladre agujeros guía para los tornillos de anclaje o tornillos de rosca para madera del lavatorio y el pedestal.



Nota: Algunos modelos incluyen tornillos de rosca para madera, tornillos de anclaje o soportes colgantes de acero sólo para instalaciones de lavatorio. Otros modelos y todos los pedestales no incluyen los herrajes de montaje. Diversos tamaños y tipos de tornillos de pedestal están disponibles para el instalador en tiendas de herraje locales.

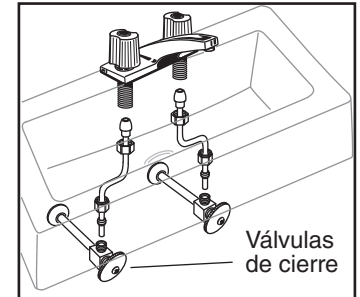
7

Coloque nuevamente el lavatorio con los accesorios en la posición de instalación. Conecte la trampa al conjunto del drenaje y ajuste con la mano para verificar la alineación. Puede que deba cortar parte de la cola (área "B") o parte de la pata horizontal de la trampa (área "C").



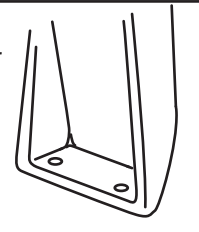
8

Asegure el lavatorio a la pared como se muestra en **paso 5**. Instale las arandelas y apriete manualmente las tuercas o tornillos de rosca para madera. Nivele y haga que cuadre la unidad. Conecte las líneas de suministro de agua caliente y fría a las válvulas de cierre. Ajuste las uniones de la trampa para tener un ensamble hermético.



9

Vista posterior

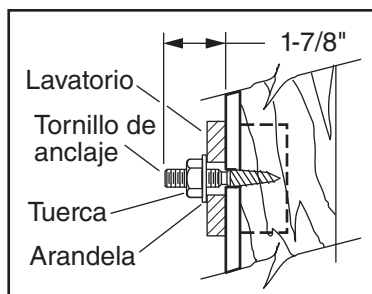


Nota: Las restricciones de espacio podrían requerir de un método para fijar el pedestal al piso.

5

INSTALACIÓN DE TORNILLO DE ANCLAJE

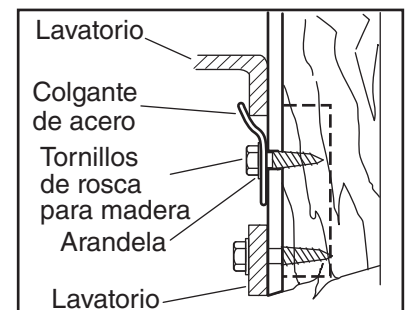
Instale los tornillos de anclaje y deje 1-7/8" del extremo roscado expuesto como se ve en la ilustración.



MÉTODO ALTERNATIVO: NO SE INCLUYEN LOS COMPONENTES.

INSTALACIÓN DE TORNILLOS DE ROSCA PARA MADERA

Use tornillo de rosca para madera para asegurar el lavatorio como se muestra en la ilustración.



IMPORTANTE: El montaje final del método de tuercas y arandelas y tornillos rosca se muestra sólo para referencia.

DIRECTIVES D'INSTALLATION SOINS ET ENTRETIEN

*American
Standard*

0328 TOWNSEND^{MD} PIÉDESTAL LAVABOS

Nous vous remercions d'avoir choisi American Standard - synonyme de qualité supérieure depuis plus de 100 ans. Afin de s'assurer que ce produit soit bien installé, veuillez lire ces directives attentivement avant de commencer. (Certaines installations peuvent requérir une aide professionnelle.) Assurez-vous également que votre installation se conforme aux codes locaux.

⚠ AVERTISSEMENT : CE PRODUIT EST FRAGILE. POUR ÉVITER LES BRIS ET DES BLESSURES, MANIPULER AVEC SOIN!
REMARQUE : Les dessins peuvent ne pas correspondre exactement aux contours de l'appareil ou des composants.
RESPECTER LES CODES DE PLOMBERIE ET DU BÂTIMENT

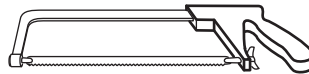
Outils et Matériaux Recommandés



Couteau à Mastiquer



Clé Universelle



Scie à Métaux



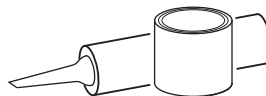
Clé à Tuyaux



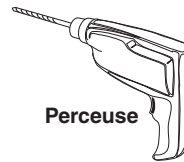
Pincettes à Coulisse



Tournevis Ordinaire



Mastic de Plombier
ou Calfat



Perceuse



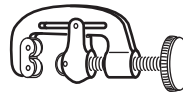
Clé Pour Lavabo



Niveau



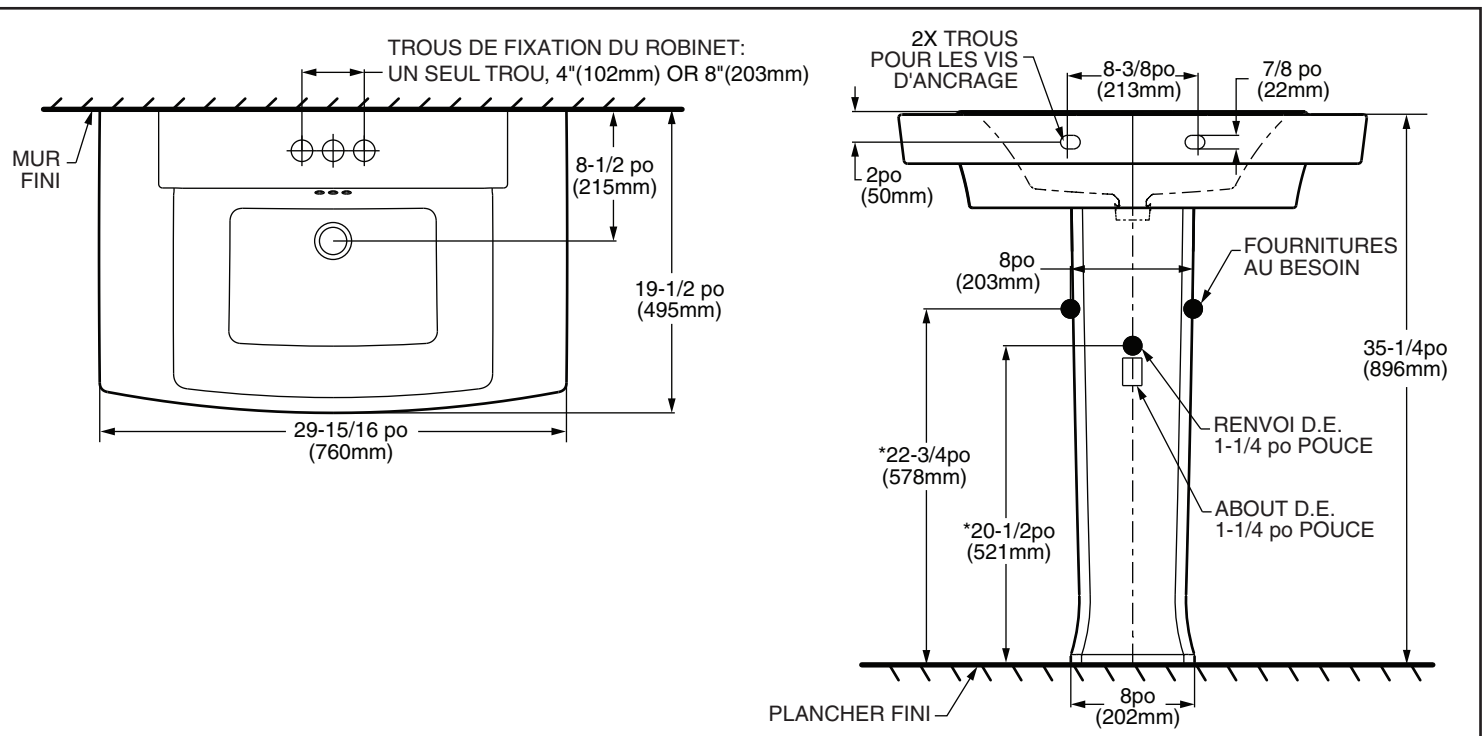
Ruban à Mesurer



Coupe-Tube



Scie Sautouse



Aux États-Unis:
American Standard Brands
1 Centennial Ave
Piscataway, New Jersey 08854
Attention: Directeur du Service à la clientèle
Les résidents des États-Unis peuvent aussi obtenir
des informations à propos de la garantie en
composant le numéro sans frais (800) 442-1902
www.americanstandard.com

Au Canada:
AS Canada, ULC
5900 Avebury Rd.
Mississauga, Ontario
Canada L5R 3M3
Sans frais : (800) 387-0369
www.americanstandard.ca

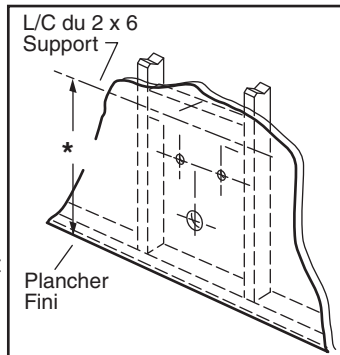
Au Mexique :
American Standard B&K Mexique
S. de R.L. de C.V.
Via Morelos n° 330
Col. Santa Clara
Ecatepec 55540 Edo. Mexique
Sans frais : 01-800-839-1200
www.americanstandard.com.mx

1

Fournir un renforcement adéquat derrière le mur fini pour les vis de montage du lavabo.

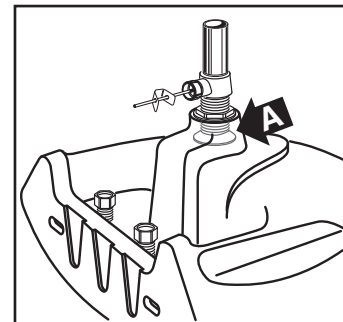
* Établir l'emplacement de la ligne horizontale du centre pour le support de l'appareil.

REMARQUE : En cas de remplacement d'un évier, s'assurer de fermer l'alimentation d'eau avant d'enlever l'évier en place.



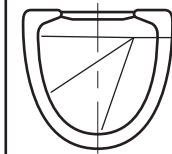
6

En respectant les directives du fabricant, installer le robinet et le drain (non fournis). Appliquer un ruban de mastic sur le côté inférieur du tuyau d'évacuation (partie « A° ») afin d'assurer une étanchéité parfaite entre le lavabo et le tuyau d'évacuation. Enlever l'excès de mastic après l'installation du tuyau d'évacuation au lavabo.



2

Dessus du Piédestal



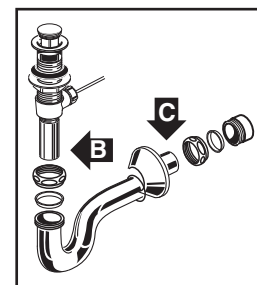
Emplacement approx. des butoirs pour élever la table du lavabo du côté gauche.

À titre d'exemple seulement

Poser le lavabo et le piédestal sur l'emplacement prévu. Mettre le lavabo et le piédestal de niveau et d'équerre. Utiliser un ou plusieurs coussinets butoirs pour mettre la table du lavabo de niveau avec le piédestal.

7

Reposer le lavabo ajusté à l'emplacement de destination. Raccorder le siphon au tuyau d'évacuation en serrant manuellement pour vérifier l'alignement. Il sera peut-être nécessaire de couper une partie de la pièce de raccordement (section « B ») ou une partie de la patte horizontale du siphon (section « C »).

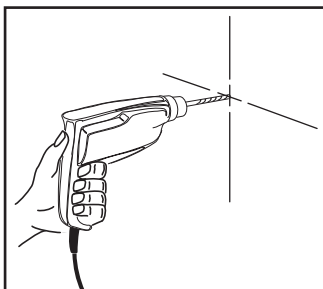


3

Indiquer l'emplacement des vis du lavabo et du piédestal à travers les trous de montage.

4

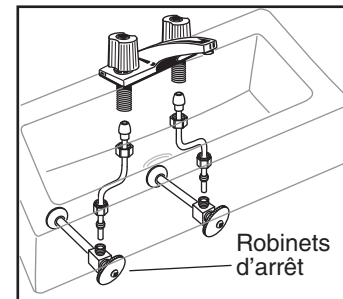
Enlever le lavabo et le piédestal de l'emplacement prévu. Percer deux trous guide pour les vis de fixation ou les tire-fonds du lavabo et du piédestal.



Remarque : Les tire-fonds, vis d'ancrage ou les suspensions en acier sont fournis uniquement pour certains modèles de lavabo. Les autres modèles et tous les piédestals ne sont pas fournis avec la quincaillerie de montage. Plusieurs grandeurs et types de vis pour piédestal sont offerts par les quincailleries locales.

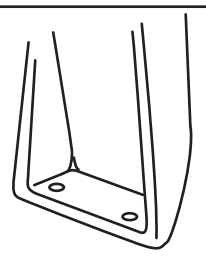
8

Fixer le lavabo au mur comme illustré à la figure l'étape 5. Poser les rondelles et les écrous en serrant à la main. Mettre le lavabo de niveau et d'équerre. Raccorder les conduites d'alimentation d'eau chaude et d'eau froide aux robinets d'arrêt. Serrer les joints du siphon pour que l'ensemble soit étanche.



9

Vue Arrière

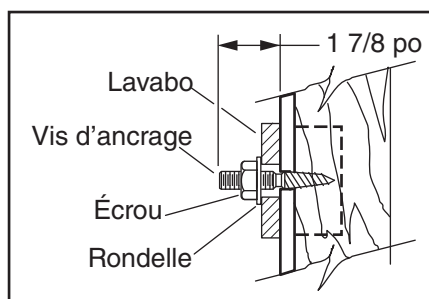


Remarque : Les contraintes d'espace peuvent dicter la méthode de fixation du piédestal au sol.

5

VIS D'ANCRAGE DIRECTIVES

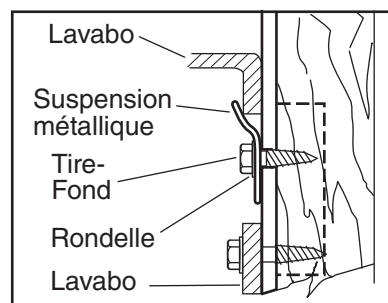
Installer les vis d'ancrage du lavabo en laissant une extrémité Fileté de 1 7/8 po comme illustré.



AUTRE MÉTHODE : COMPOSANTS NON INCLUS.

INSTALLATION TIRE-FOND

Utiliser les tire-fonds pour fixer le lavabo comme illustré.

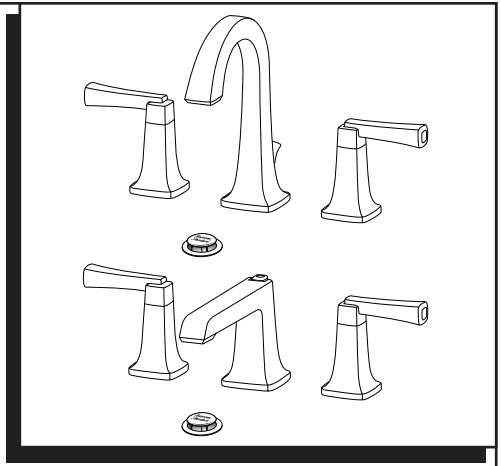


IMPORTANT : Méthode d'assemblage final avec écrou et rondelle ou tire-fond illustrée uniquement à titre de référence.

INSTALLATION INSTRUCTIONS

TOWNSEND® DUAL CONTROL WIDESPREAD LAVATORY FAUCET WITH SPEED CONNECT® DRAIN

7353.801
7353.841



Certified to comply with ANSI A112.18.1M

Congratulations on purchasing your American Standard faucet with Speed Connect drain, a feature found only on American Standard faucets.

Speed Connect® Drain*

- Fewer parts, installs in less time
- Never needs adjustment
- Guaranteed to seal properly the first time, every time.

*Your new American Standard faucet is designed to work only with the Speed Connect drain.

To ensure that your installation proceeds smoothly-please read these instructions carefully before you begin.

RECOMMENDED TOOLS



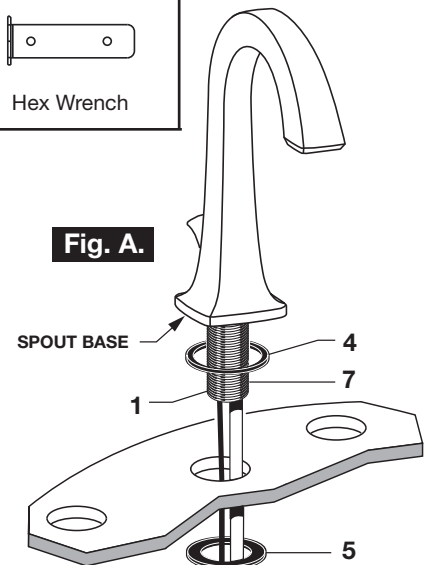
1 INSTALL SPOUT

CAUTION Turn off hot and cold water supplies before beginning.

Fig. A.

- Insert SHANK (1) CABLE CONNECTOR (2) and HOSE (3) through center hole, making sure SEAL WASHER (4) is properly seated in spout base.
- Assemble RUBBER WASHER (5), FRICTION WASHER (5B) LOCKNUT (6) and thread LOCKNUT (6) onto SHANK (7) from underside of sink or mounting surface.
- Align and center SPOUT (1). Tighten LOCKNUT (6).

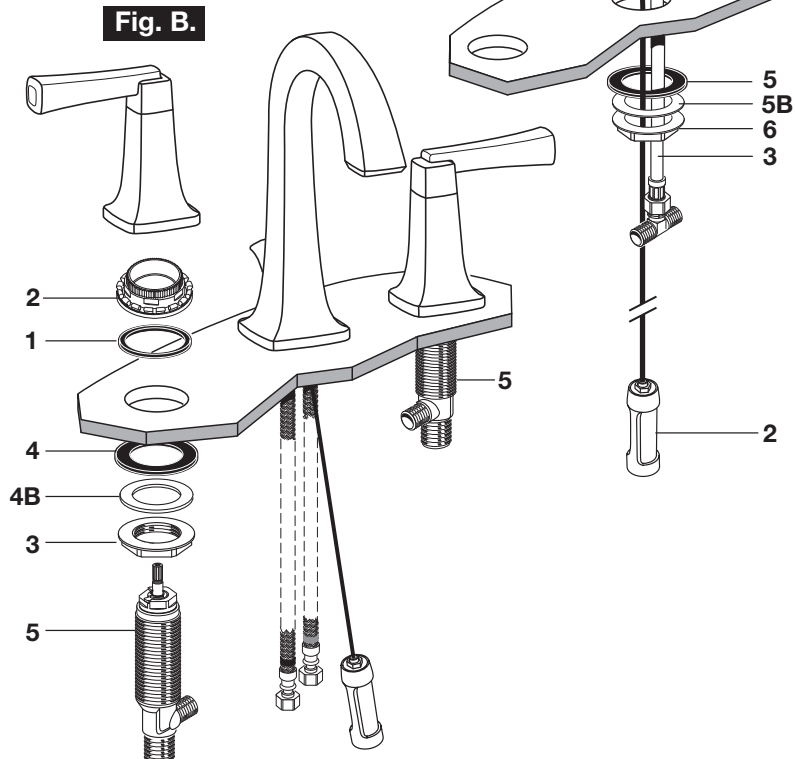
Fig. A.



1A INSTALL VALVE BODIES

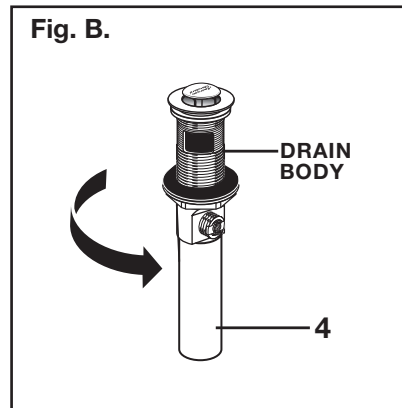
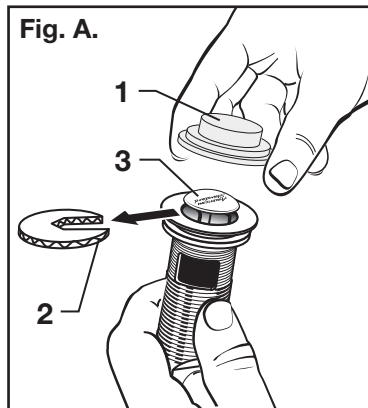
Fig. B.

- Place RUBBER RING (1) into DECK ADAPTER (2).
 - Install LOCKNUT (3), RUBBER WASHER (4) and FRICTION WASHER (4B) onto VALVE BODY (5).
- From under side of mounting surface, install VALVE BODY (5) through valve mounting hole. Threads of VALVE BODY (5) should extend at least 5/16 of an inch above mounting surface top. Fig. A. Thread DECK ADAPTER (2) onto VALVE BODY (5) until snug against internal stop.
- If necessary, adjust LOCKNUT (3). Tighten LOCKNUT (3) with WRENCH (6) supplied.



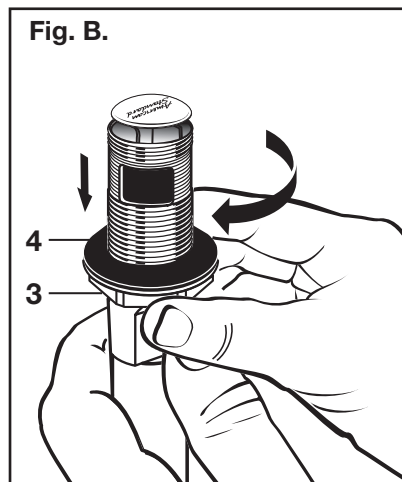
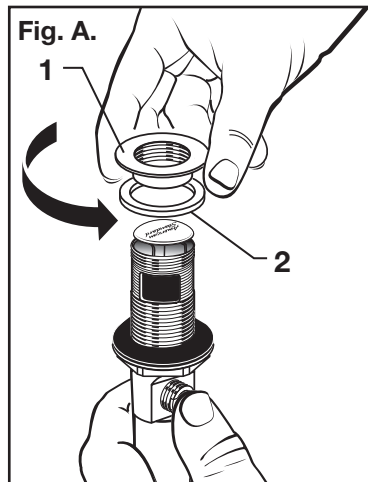
2 POP-UP DRAIN

- Remove CLEAR PLASTIC COVER (1).
- Remove CARDBOARD SPACER (2) from under DRAIN POP-UP (3).
- Tighten TAIL PIECE (4) on DRAIN BODY before installing DRAIN BODY. **Fig. B.**



3 REMOVE FLANGE

- Thread FLANGE (1) counter-clockwise and remove FLANGE (1) and FOAM GASKET (2) from drain body. **Fig. A.**
- Thread LOCKNUT (3) clock-wise to bottom of drain body. Push GASKET (4) down against LOCKNUT (3). **Fig. B.**

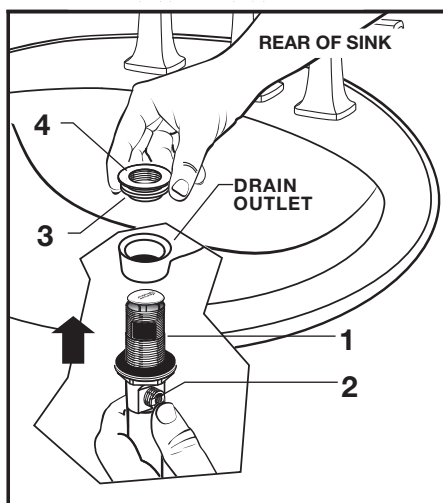


4 INSTALL DRAIN FROM BELOW FIXTURE

- From under side of SINK install DRAIN BODY (1) up through drain outlet.

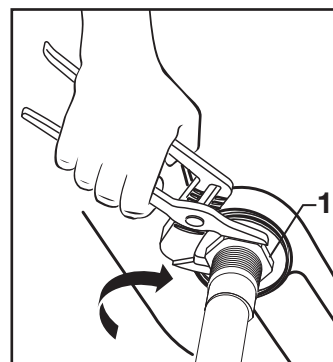
Note: No plumber's putty or caulk is required. The CABLE ATTACHMENT POINT (2) must face towards the rear of the SINK.

- Install FOAM GASKET (3) and FLANGE (4) onto drain body from above SINK and tighten FLANGE (4) firmly.



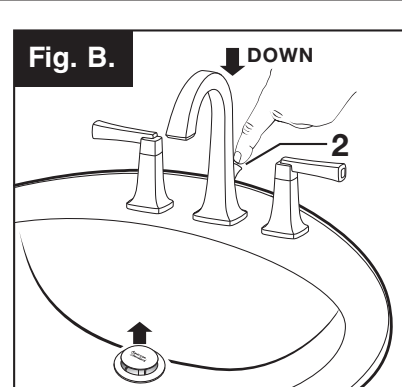
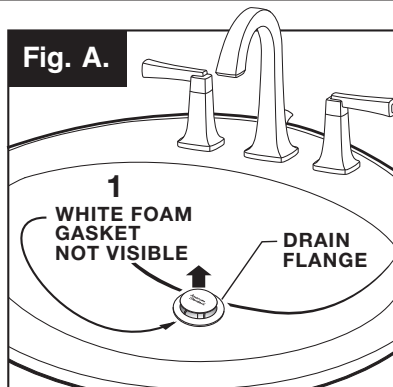
5 TIGHTEN LOCKNUT

- Tighten LOCKNUT (1) firmly with Adjustable Wrench or Channel Locks.



6 FLANGE GASKET AND POP-UP KNOB

- Check DRAIN FLANGE in SINK to ensure that WHITE FOAM GASKET (3) is fully compressed and not visible. **Fig. A.**
- POP-UP KNOB (1) must be fully down. **Fig. B.**

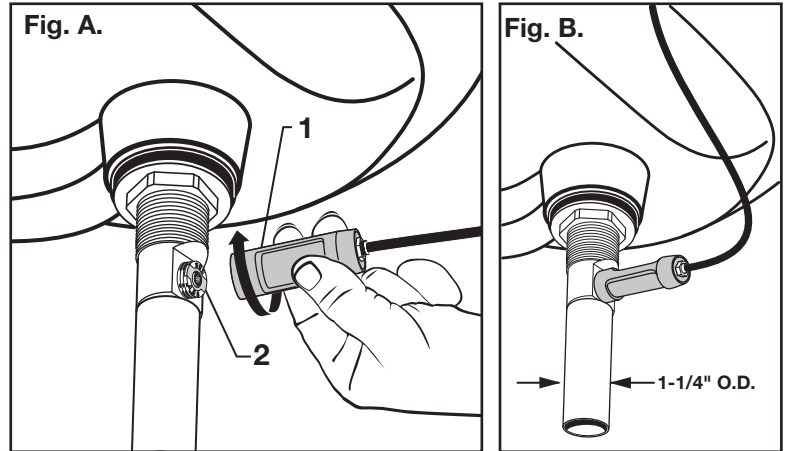


7 ATTACH CABLE CONNECTOR

- Thread CABLE CONNECTOR (1) clockwise onto DRAIN BODY CONNECTION (2) and hand tighten. **Fig. A.**

Your new POP-UP DRAIN installation is now complete. **Fig. B.**

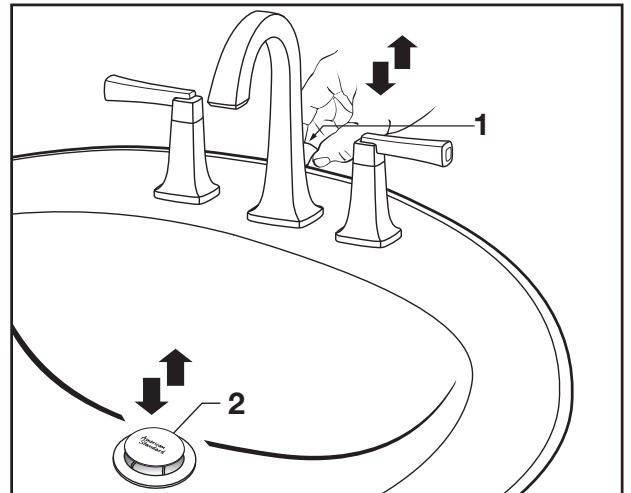
Note: Tail piece on pop-up drain is 1-1/4" O.D. **Fig. B.**



8 CHECK OPERATION OF POP-UP

- Operate LIFT KNOB (1) to verify that STOPPER (2) opens and closes.

Note: If STOPPER (2) does not open and close properly then refer to the "troubleshooting section" of these instructions.



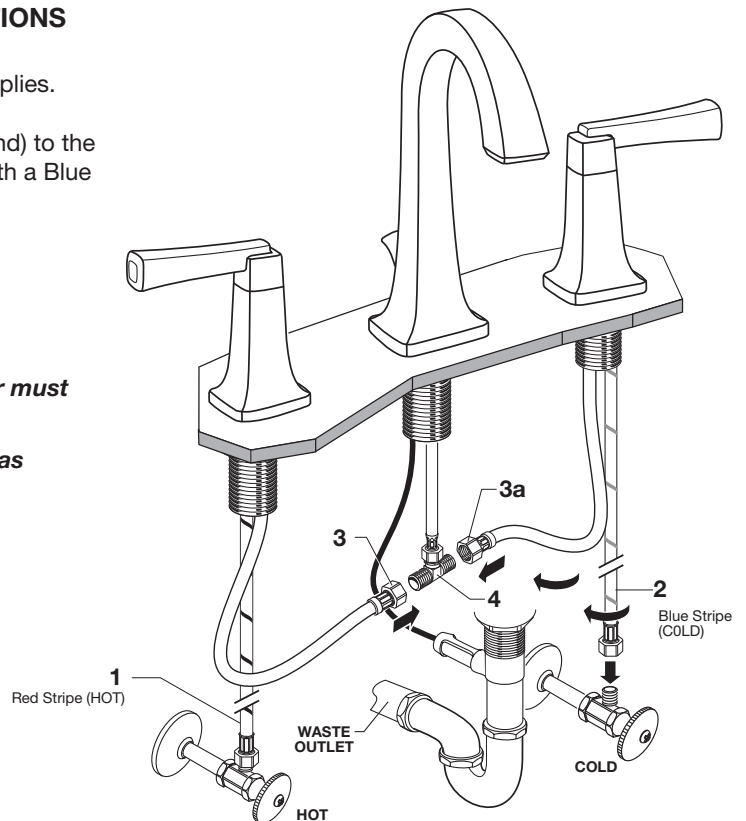
9 MAKE WATER SUPPLY AND WASTE CONNECTIONS

- Connect FLEXIBLE SUPPLIES (1, 2) directly to wall supplies. Connection on fitting supplies are 3/8" compression. Connect FLEXIBLE SUPPLY (1) (Marked with a Red Band) to the Left wall supply and FLEXIBLE SUPPLY (2) (Marked with a Blue Band) to Right wall supply.
- Connect the VALVE HOSES (3, 3a) to SPOUT TEE (4). Use adjustable wrench to tighten connections. Do not over tighten.
- Faucet supplies are 20" long from faucet base.

Note: If additional supply length is required, installer must purchase additional parts separately.

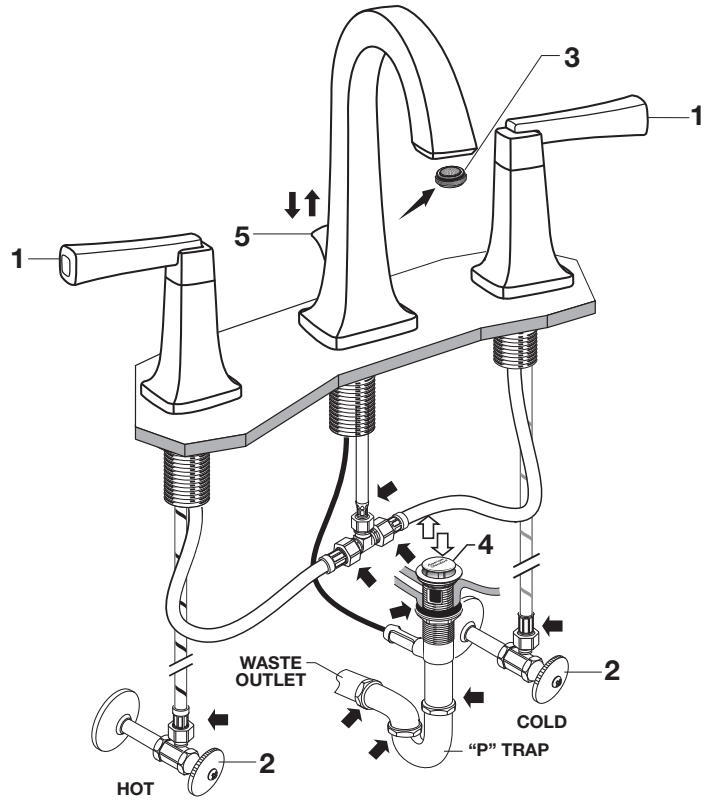
Important: If SUPPLY HOSES (1, 2) are to long, loop as illustrated to avoid kinking.

- Connect 1-1/4" O.D. tail piece on POP-UP DRAIN to waste outlet.



10 TEST INSTALLED FITTING

- With HANDLE (1) in OFF position, turn on WATER SUPPLIES (2) and check all connections for leaks. ➡
- Remove AERATOR (3).
- Operate HANDLE (1) to flush water lines thoroughly.
- Replace AERATOR (3).



11 CHECK DRAIN CONNECTIONS

- Operate POP-UP KNOB (4) and fill lavatory with water. Check that DRAIN STOPPER (5) makes a good seal and retains water in Sink. If DRAIN STOPPER (5) does not seal properly, please refer to Troubleshooting section in these instructions.
- Release POP-UP KNOB (4) down and check all drain connections and "P" trap for leaks. ➡ Tighten if necessary.

12 SERVICE

Change Direction of the Handle

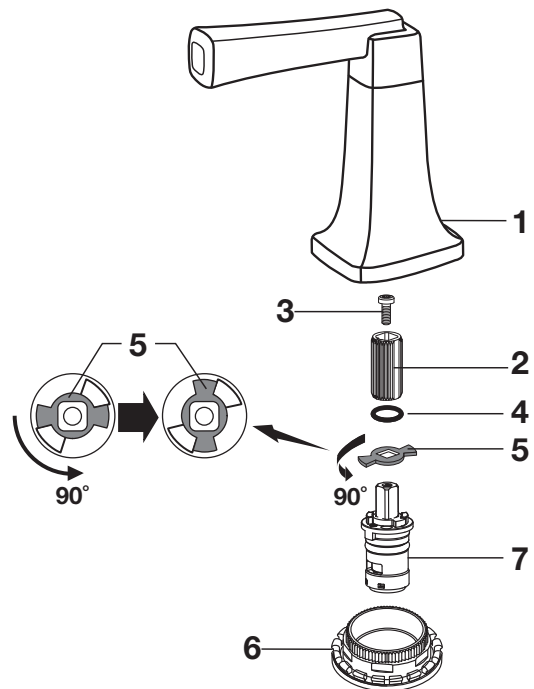
- Turn valves to OFF position.
- Turn off water supplies.
- Pull HANDLE (1) "UP" firmly to release from PLASTIC INSERT (6).
- Remove SCREW (3) and pull off PLASTIC INSERT (2).
- Remove RETAINING O-RING (4).
- Lift and turn STOP WASHER (5) 90°. Replace RETAINING O-RING (4).
- Re-install HANDLE ASSEMBLY.

To Change Cartridge:

- Remove HANDLE (1), ADAPTER (2) and SCREW (3) via steps above.
- Remove CARTRIDGE (7) by pulling up on it after rotating CARTRIDGE NUT (9) counter clockwise.

Aerator Clean Out

- AERATOR may accumulate dirt causing distorted and reduced water flow. Remove AERATOR by using the AERATOR KEY (8) and rinse to clear any debris.
- If spout drips, operate handles several times from OFF to ON position. Do not force - handles turn only 90°.



13 CARE INSTRUCTIONS:

DO: SIMPLY RINSE THE PRODUCT CLEAN WITH CLEAR WATER. DRY WITH A SOFT COTTON FLANNEL CLOTH.
DO NOT: DO NOT CLEAN THE PRODUCT WITH SOAPS, ACID, POLISH, ABRASIVES, HARSH CLEANERS, OR A CLOTH WITH A COARSE SURFACE.

Speed Connect® Drain Troubleshooting Guide

If sink does not hold water even though Stopper is in the “down” position:

- Follow CABLE ADJUSTMENT PROCEDURE.

If Stopper does not raise up fully or sink drains too slowly:

- Follow CABLE ADJUSTMENT PROCEDURE.

If you need to remove the Stopper:

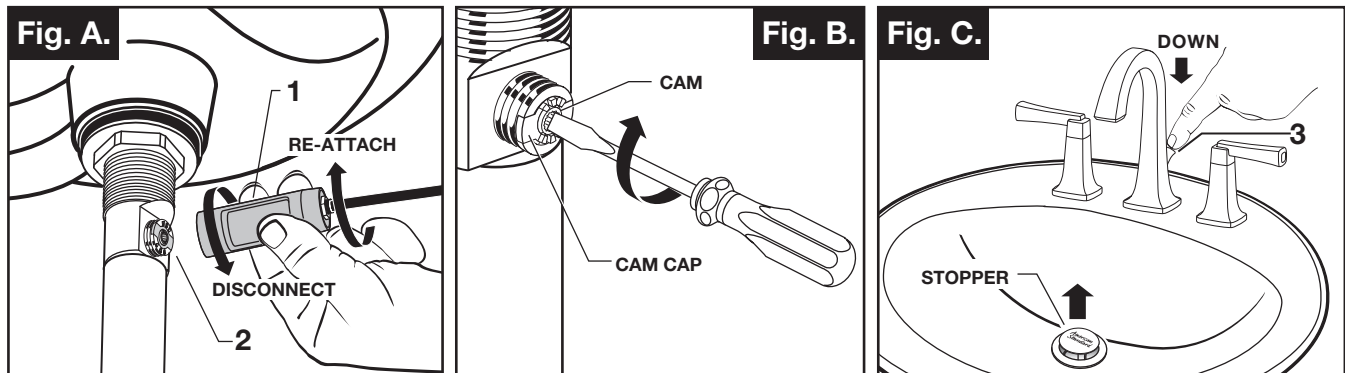
- Follow STOPPER REMOVAL PROCEDURE.

If you would like the ability to remove your Stopper simply by lifting it out of the drain:

- Follow STOPPER INSTALLATION PROCEDURE for “Unlocked” mode.

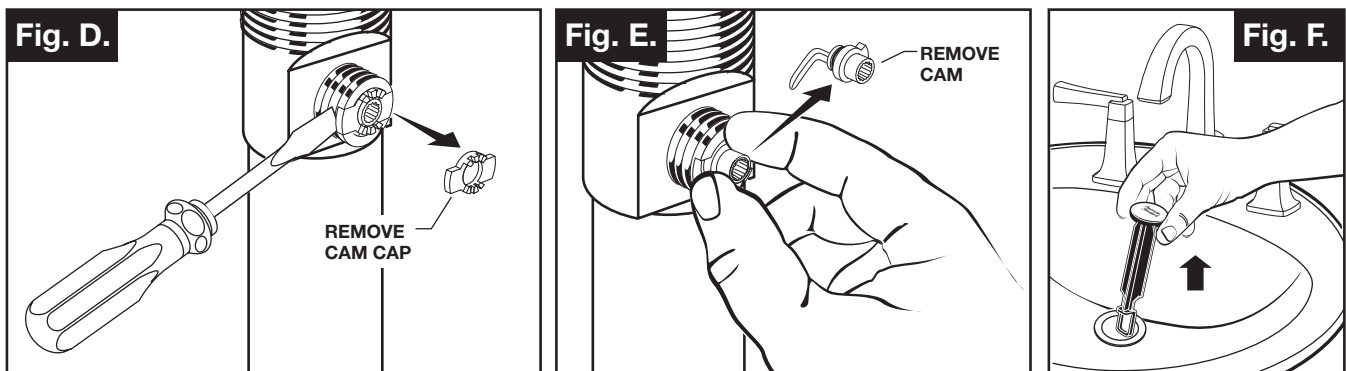
CABLE ADJUSTMENT PROCEDURE

- Disconnect the Cable from the Drain by threading the Cable Connector (1) counter-clockwise. **Fig. A.**
- Look at the area on the Drain Body where the Cable was attached and locate the component labeled as “Cam” in the illustration. **Fig. B.**
- Use a small screwdriver to rotate the Cam in the clockwise direction as far as it will go. At this point the Stopper should be in the UP position. **Fig. B, C.**
- Push DOWN on the Lift-Knob to make sure it is fully down. **Fig. C.**
- Re-attach the Cable to the Drain Body Connection (2) by threading the Cable Connector (1) clockwise onto the Drain Body Connection (2) and hand-tighten. **Fig. A.**



STOPPER REMOVAL PROCEDURE

- Disconnect the Cable from the Drain by threading the Cable Connector (1) counter-clockwise. **Fig. A.**
- Look at the area on the Drain Body where the Cable was attached and locate the component labeled as “Cam” and “Cam Cap” in the illustration. **Fig. B.**
- Use fingers or small screwdriver under either side of the Cam Cap to pry it out from the Drain. **Fig. D.**
- Remove the Cam by pulling it straight out while wiggling gently to loosen the Rubber Seal. **Fig. E.**
- The Stopper can now be removed by lifting it out of the Drain. **Fig. F.**

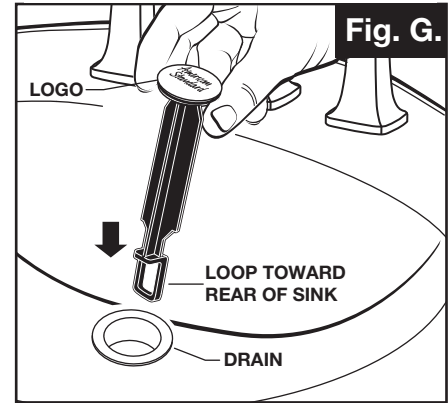


STOPPER INSTALLATION PROCEDURE

The Stopper can be installed two ways, “Locked” Mode (Stopper cannot be removed) or “Unlock” Mode (Stopper is removable).

Locked Mode:

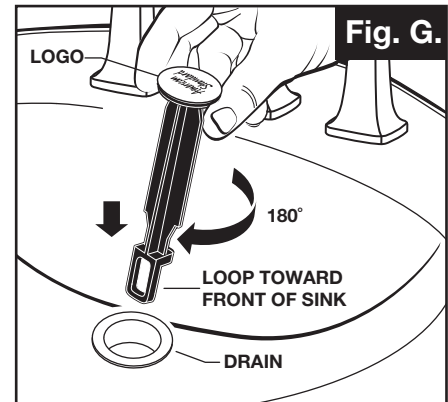
- Look at the Plastic Loop at the bottom of the Stopper and notice that the Loop is on one side of the Stopper. **Fig. G.**
- To install the stopper in “Locked” mode, insert the Stopper into the Drain so that the Plastic Loop is facing toward the rear of the Sink and the American Standard logo is facing front. Rotate Stopper slightly if necessary so that the Stopper slides all the way down. **Fig. G.**
- Re-install the Cam into the Drain, rotating the Cam if necessary to make sure it is fully inserted. **Fig. J.**
- Re-install the Cam Cap, making sure the guide teeth are facing outward. If the Cam Cap does not “snap” into place, then rotate the Cam to make sure it is fully inserted. **Fig. K.**
- Re-attach Cable. See “CABLE ADJUSTMENT PROCEDURE” in Troubling Shooting Guide to complete installation. Stopper will be in “Locked” mode and not be removable.



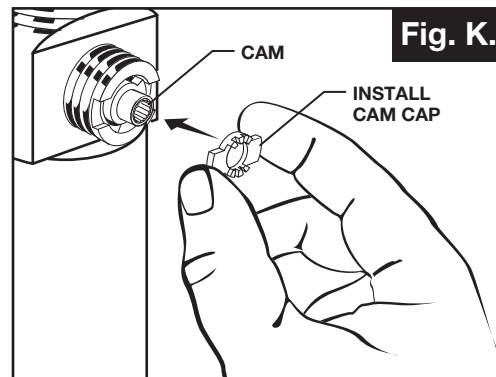
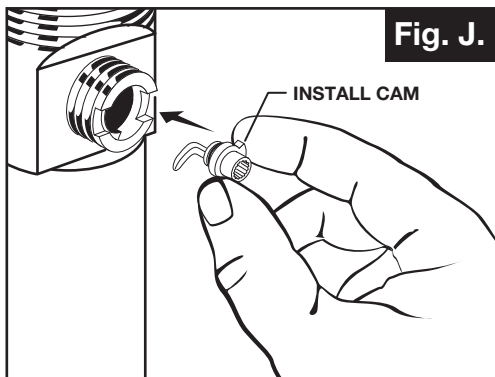
**Locked Mode
(Vandal Proof)**

Unlocked Mode:

- Look at the Plastic Loop at the bottom of the Stopper and notice that the Loop is on one side of the Stopper. **Fig. H.**
- To install the stopper in “Unlocked” mode, insert the Stopper into the Drain so that the Plastic Loop is facing toward the front of the Sink and the American Standard logo is facing rear. Rotate Stopper slightly if necessary so that the Stopper slides all the way down. **Fig. H.**
- Re-install the Cam into the Drain, rotating the Cam if necessary to make sure it is fully inserted. **Fig. J.**
- Re-install the Cam Cap, making sure the guide teeth are facing outward. If the Cam Cap does not “snap” into place, then rotate the Cam to make sure it is fully inserted. **Fig. K.**
- Re-attach Cable. See “CABLE ADJUSTMENT PROCEDURE” in “Troubleshooting Guide” to complete installation. Stopper will be in “Unlocked” mode and removable.



Unlocked Mode

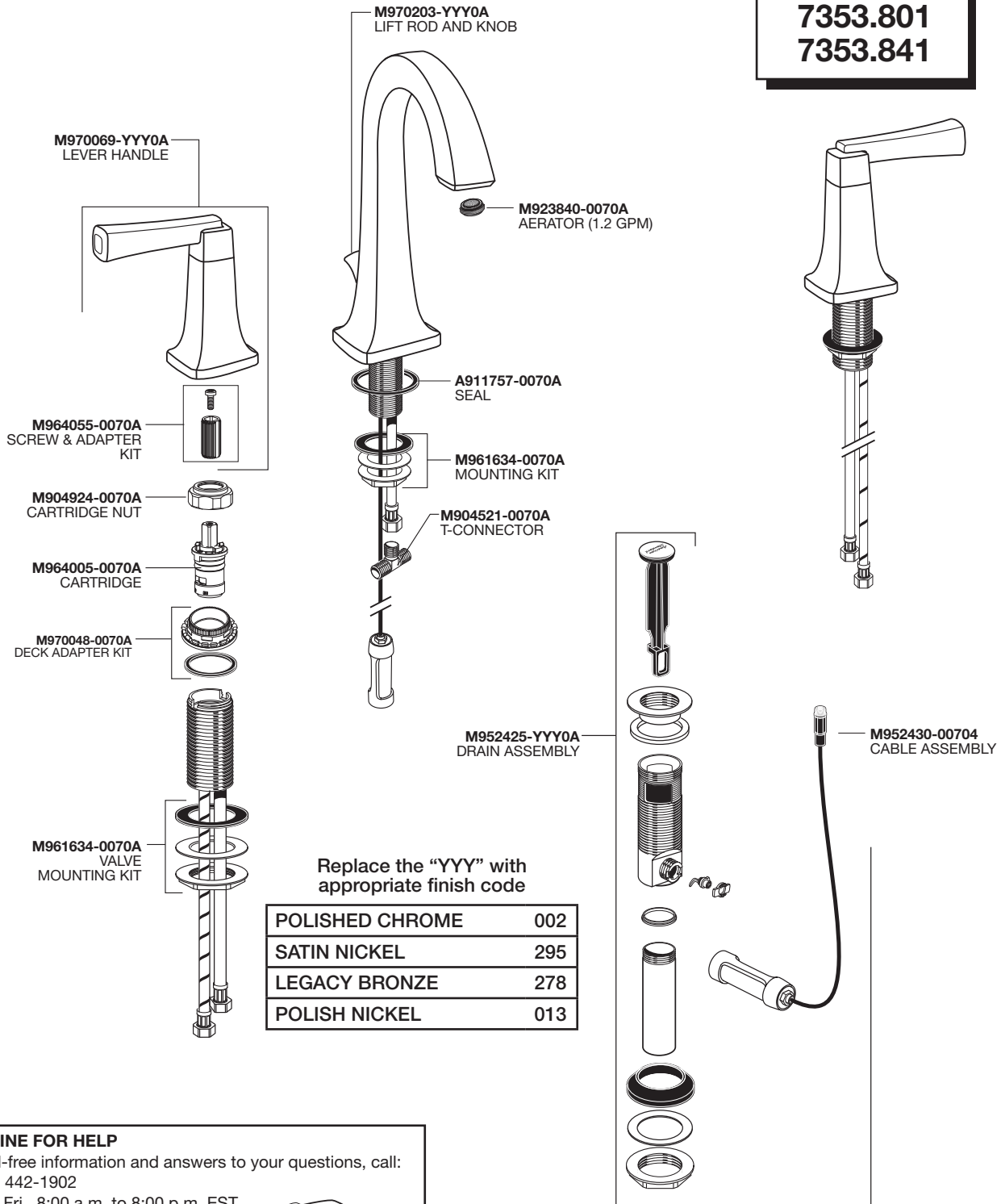


American Standard

TOWNSEND® DUAL CONTROL WIDESPREAD LAVATORY FAUCET WITH SPEED CONNECT® DRAIN

MODEL NUMBERS

7353.801
7353.841



Replace the "YYY" with appropriate finish code

POLISHED CHROME	002
SATIN NICKEL	295
LEGACY BRONZE	278
POLISH NICKEL	013

HOT LINE FOR HELP

For toll-free information and answers to your questions, call:
1 (800) 442-1902

Mon. - Fri. 8:00 a.m. to 8:00 p.m. EST
Saturday 10:00 a.m. to 4:00 p.m. EST

IN CANADA 1-800-387-0369
(TORONTO 1-905-306-1093)

Weekdays 8:00 a.m. to 7:00 p.m. EST

IN MEXICO 01-800-839-1200



PART OF LIXIL