

# INTAKE/EXHAUST VENT

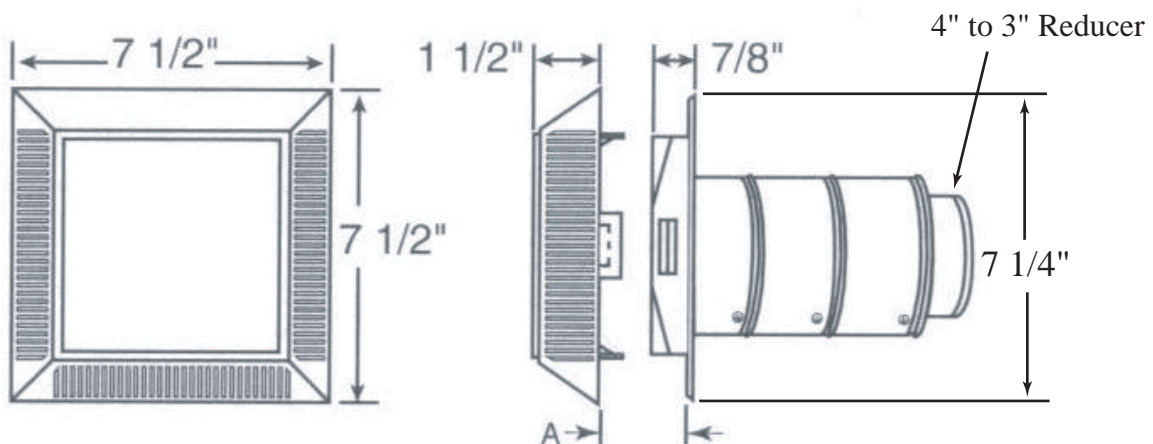
The Intake/Exhaust Vent is soffit and wall mountable. The Snap-In Modular Vent Tube adjusts from 1 1/2 to 8" and comes with a 4"-3" reducer. The Intake/Exhaust Vent cannot be used as a dryer vent.

## FEATURES:

- Full fiberglass screening.
- Lock-On Vent Cover eliminates trim work.
- Single unit body construction of Base and Vent Cover
- J-Channel eliminated
- Snap-In Modular Vent Tube adjusts from 1 1/2" to 8".
- Finish Vent Cover adjust for siding thicknesses of 7/16" and 5/8".
- Net free area: 12 sq. in.

## SPECIFICATIONS:

- Material: Base: UV stabilized copolymer; color molded in; .080" nominal wall  
Vent Cover: UV stabilized copolymer; color molded in; .100" nominal wall  
Vent Tube: UV stabilized copolymer; color molded in; .050" nominal wall
- Fabrication: Base is a 6 piece molded assembly.  
Vent Cover single piece molded unit.
- Attachment: Screw or nail directly to any surface.
- Packaging: 1 asm./ box
- Dimensions: See drawing below (all dimensions in inches)



Dimension "A" locking positions: 7/16" and 5/8"