



ADJUSTABLE PATIO AWNING

ITEM: 96073 -12X10FT, 96074 - 8X6FT, 96076 -12X10FT

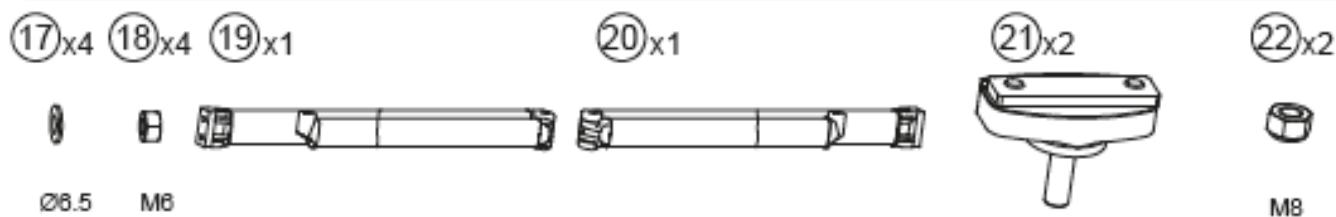
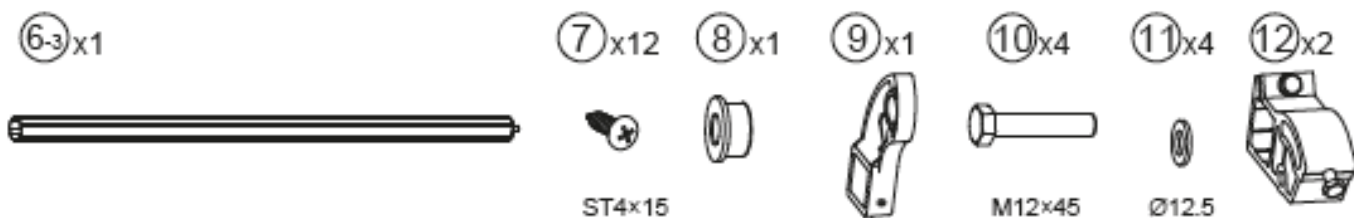
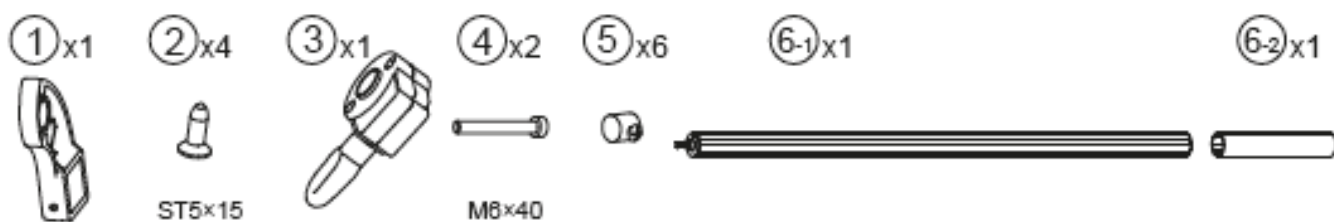
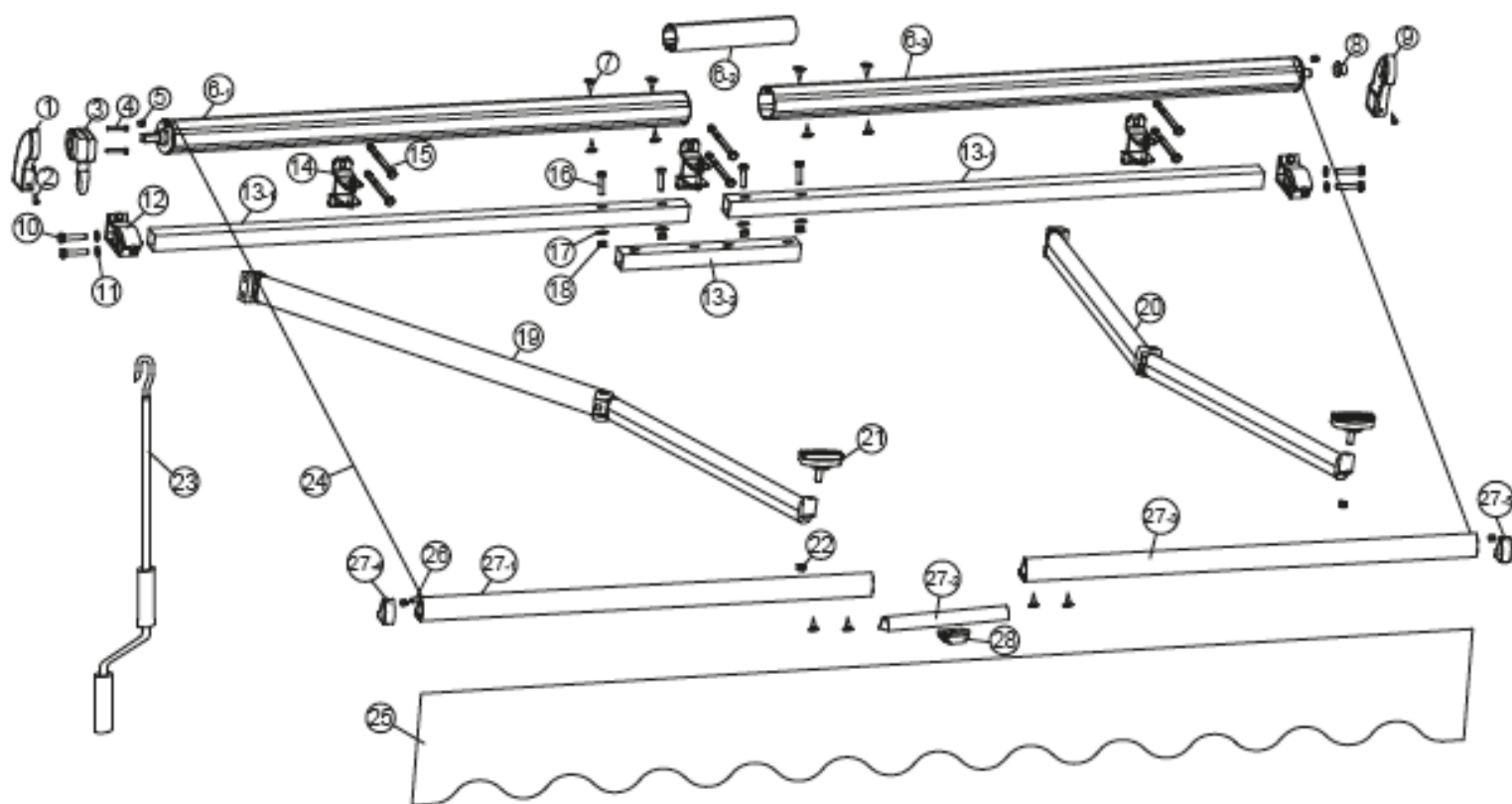


OWNER'S MANUAL AND SAFETY INSTRUCTIONS

SAVE THIS MANUAL: KEEP THIS MANUAL FOR SAFETY WARNINGS, PRECAUTIONS, ASSEMBLY, OPERATING, INSPECTION, MAINTENANCE AND CLEANING PROCEDURES. WRITE THE PRODUCT'S SERIAL NUMBER ON THE BACK OF THE MANUAL NEAR THE ASSEMBLY DIAGRAM (OR MONTH AND YEAR OF PURCHASE IF PRODUCT HAS NO NUMBER)

FOR QUESTIONS PLEASE CALL OUR CUSTOMER SUPPORT: 909.628.0880 MON-FRI 9AM TO 3PM PST

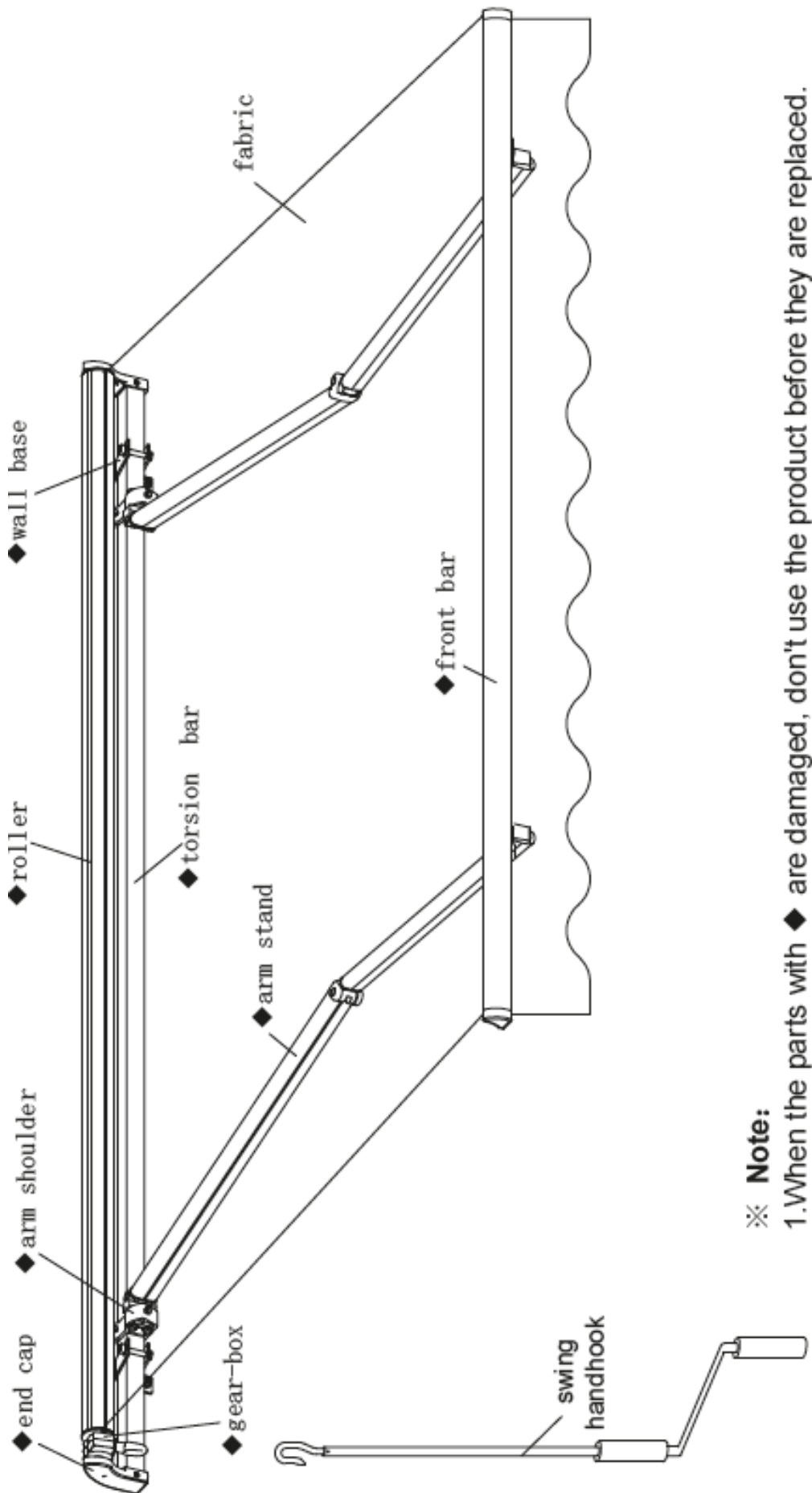
PARTS INFORMATION



PARTS INFORMATION

PARTS LIST

1	Left End Cap	x1
2	Screw ST5x15	x4
3	Gear	x1
4	Bolt M6x40	x2
5	Sleeve	x6
6.1	Left Roller Tube	x1
6.2	Roller Bar Connector	x1
6.3	Right Roller Tube	x1
7	Screw ST4x15	x12
8	Cap	x1
9	Right End Cap	x1
10	Bolt M12x45	x4
11	Washer Ø12.5	x4
12	Adjustment Bracket	x2
13.1	Wall Mount Bar	x2
13.2	Wall Mount Bar	x1
14	Wall Bracket	x3
15	Expansion Bolt	x6
15	Bolt	x6
16	Bolt M6x50	x4
17	Washer Ø6.5	x4
18	Nut M6	x4
19	Left Arm Stand	x1
20	Right Arm Stand	x1
21	Adjusting Knob	x2
22	Nut M8	x2
23	Hand Hook	x1
24	Fabric	x1
25	Fabric	x1
26	Piping	x3
27.1	Left Front Bar	x1
27.2	Front Bar Connector	x1
27.3	Right Front Bar	x1
27.4	Left Front Bar Endcap	x1
27.5	Right Front Bar Endcap	x1
28	Lever	x1



※ **Note:**
1. When the parts with ◆ are damaged, don't use the product before they are replaced.

PARTS and ASSEMBLY

27-x1



27-x1



27-x1



27-x1



27-x1

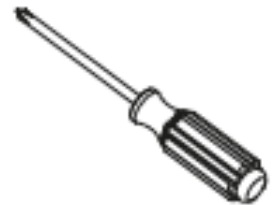
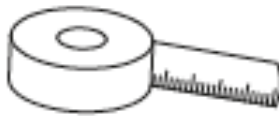
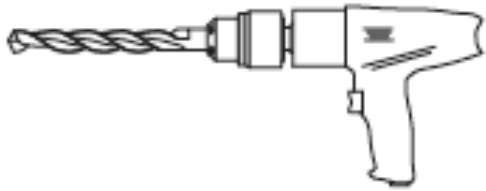


28



Instruction

Please prepare below tools before installation:



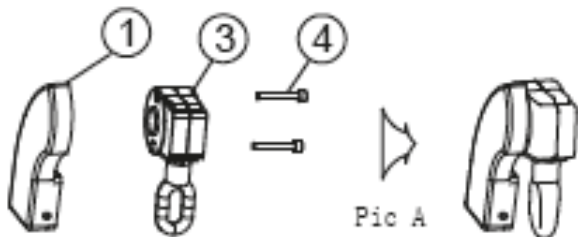
Tape measure

Wrench

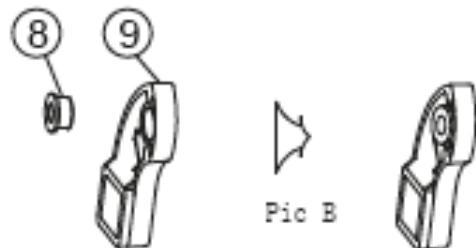
Screwdriver

Installation procedure

1、

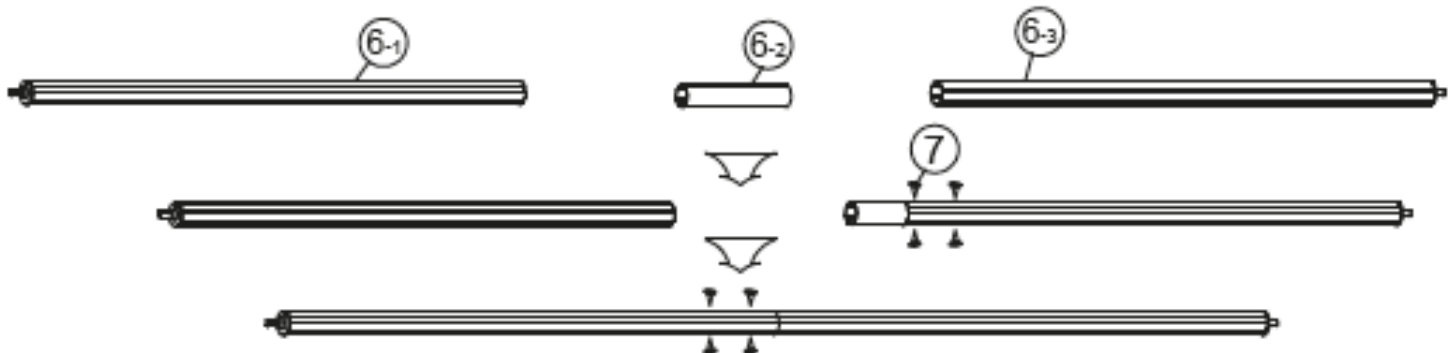


Pic A

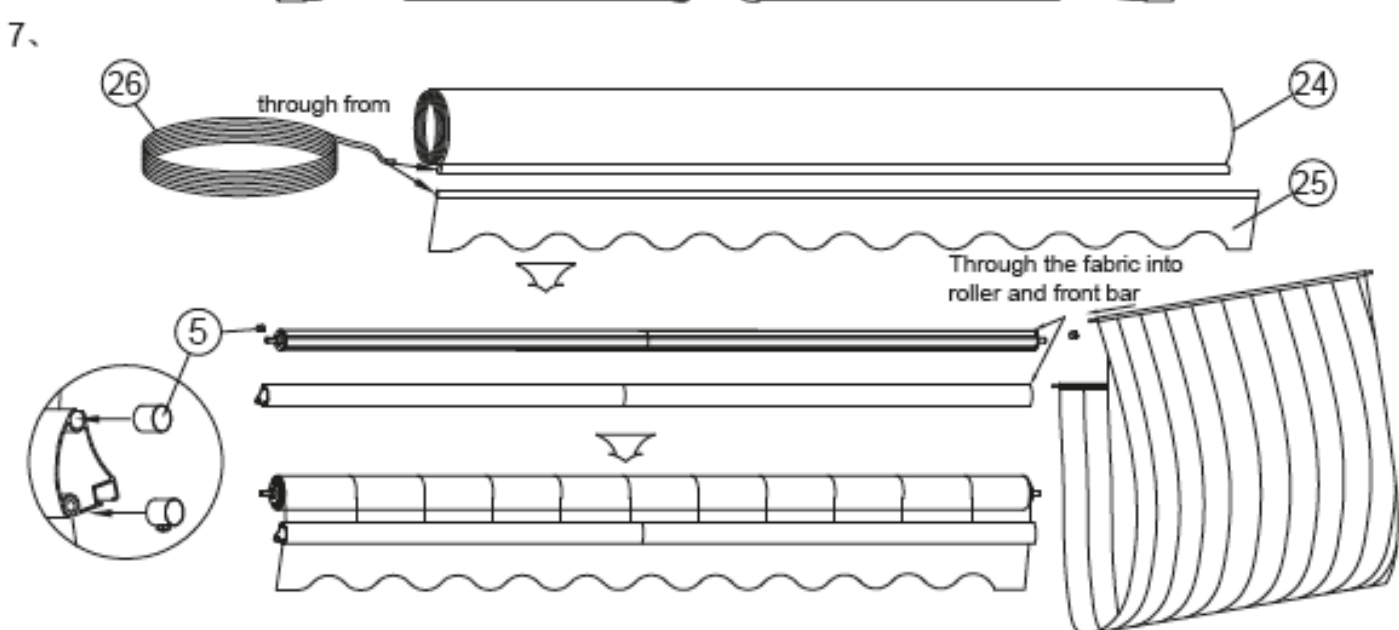
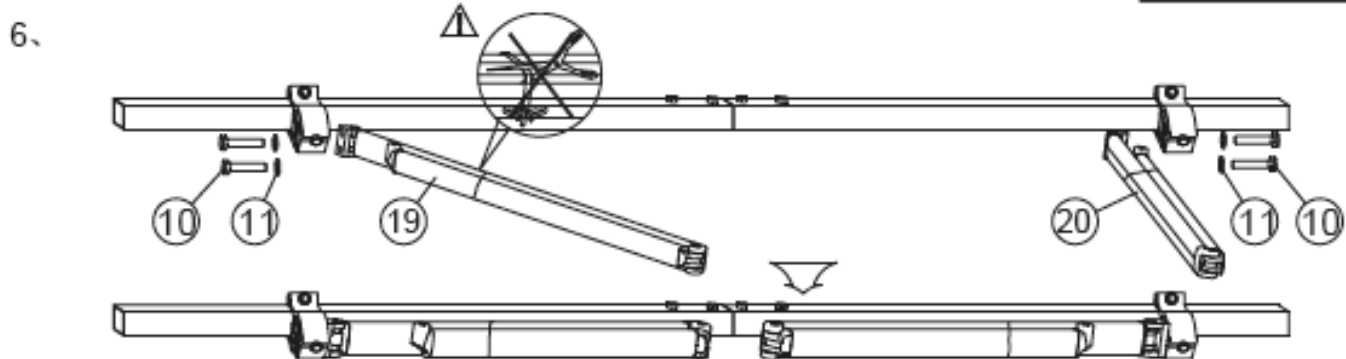
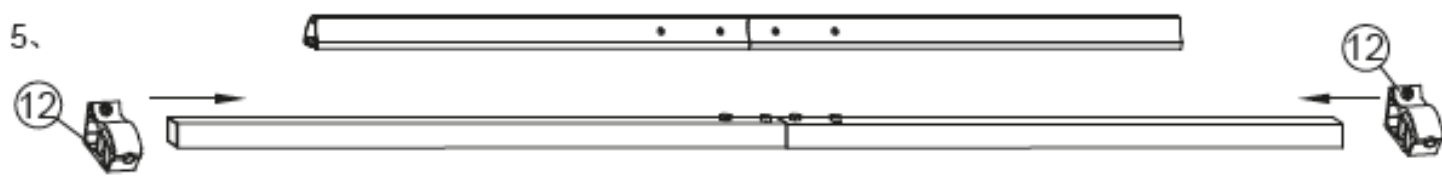
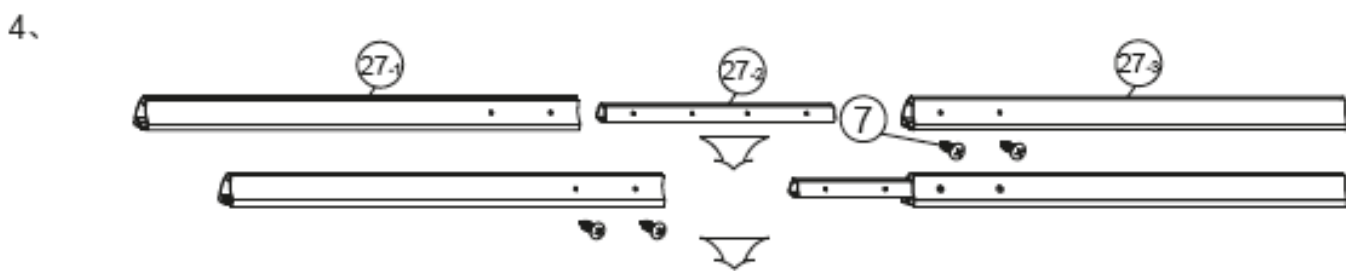
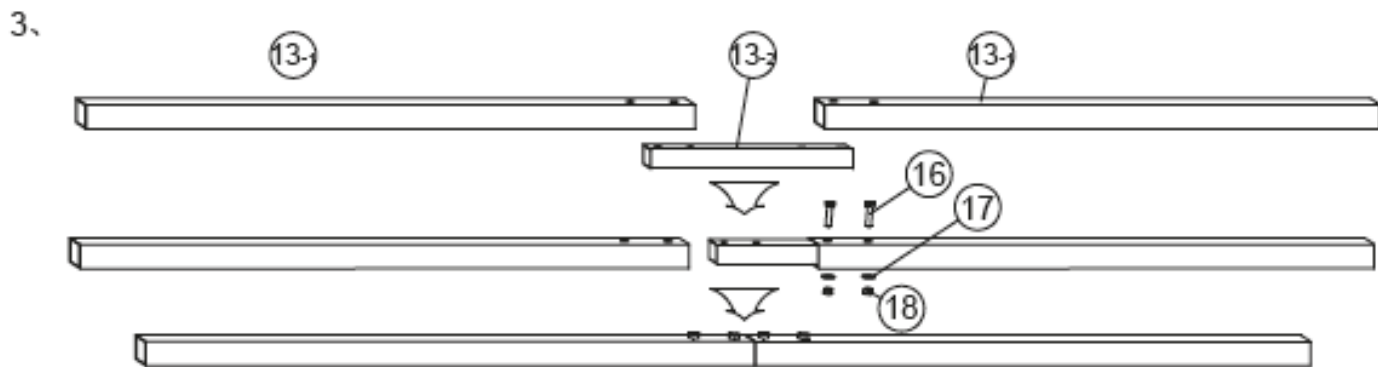


Pic B

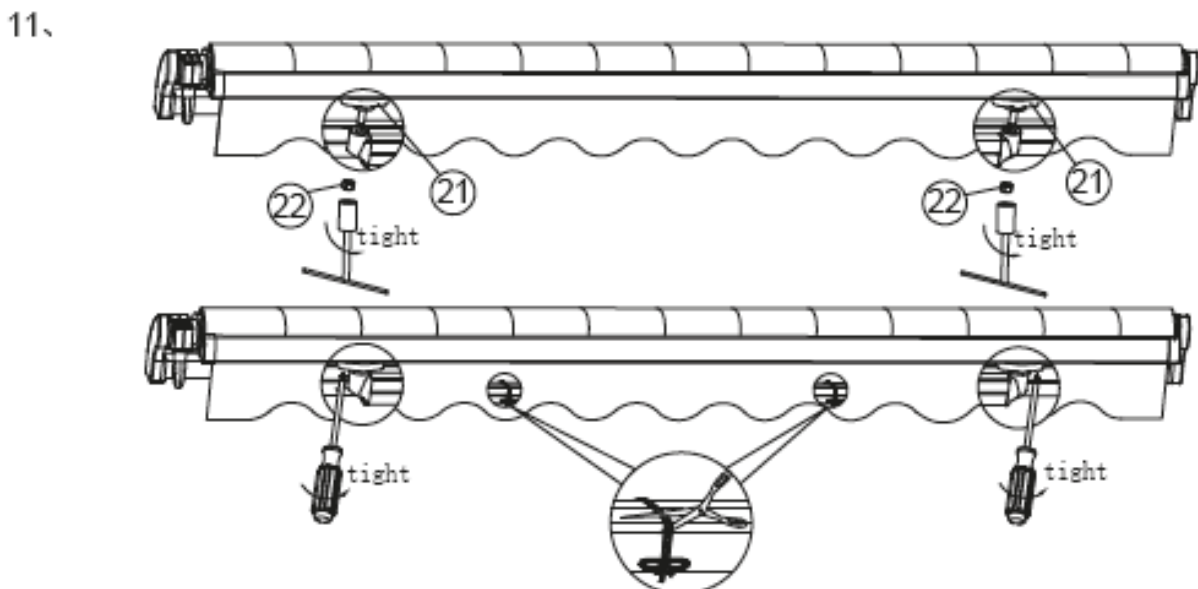
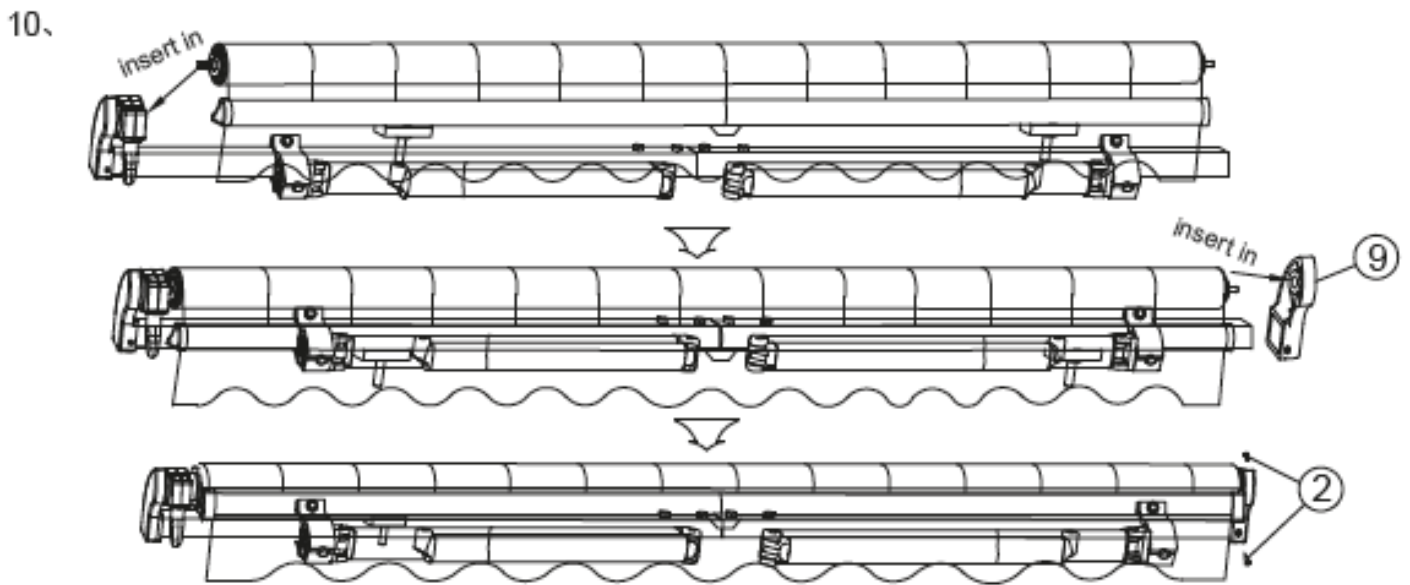
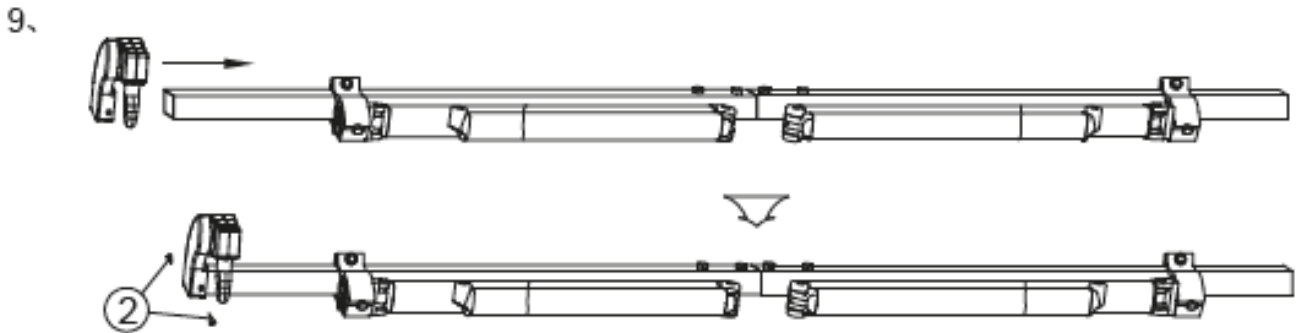
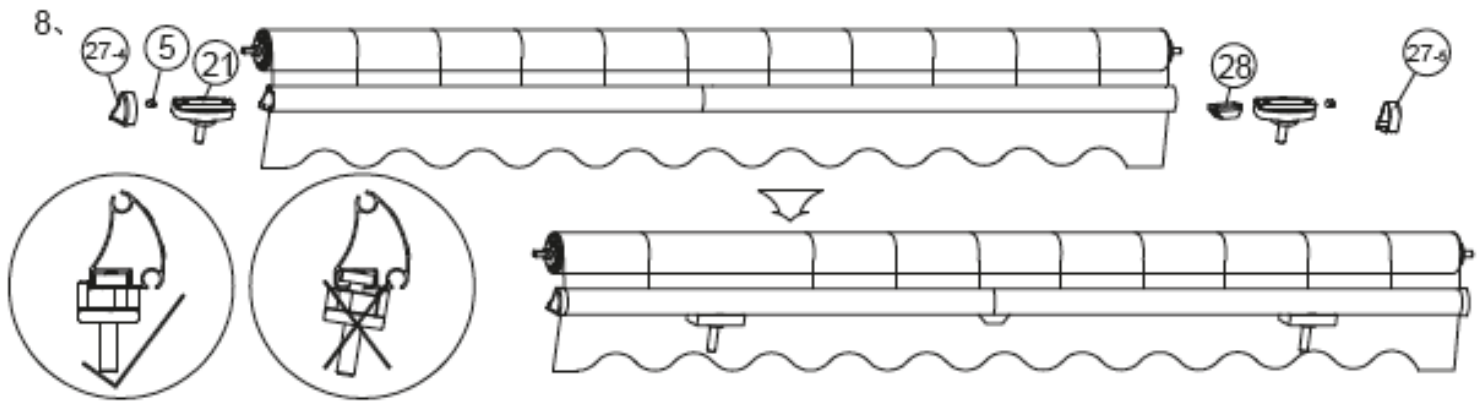
2、



ASSEMBLY



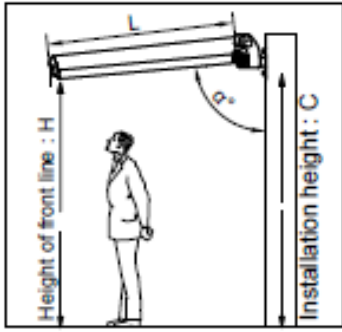
ASSEMBLY



INSTALLATION

12.

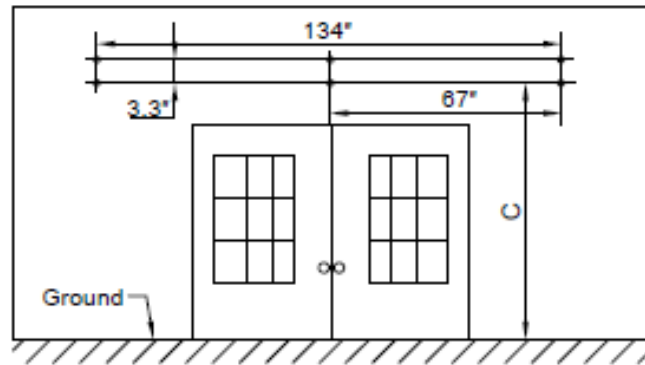
12X10ft



α°	C
	L=118"
80°	H+20.5"
75°	H+30.7"
70°	H+40.6"
65°	H+50"

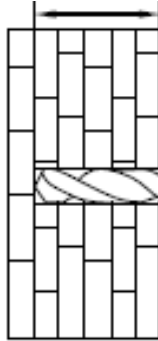


12x10ft

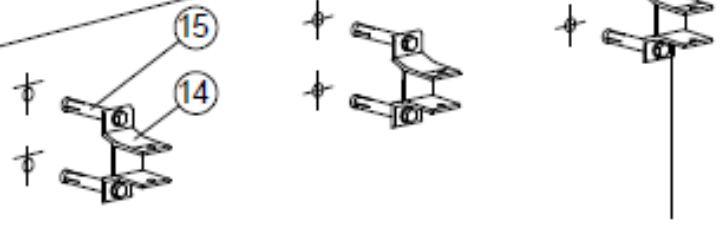


Note: When measuring to place the wall brackets, it is recommended to start measuring from the center track outward.

13. Approximately 4"

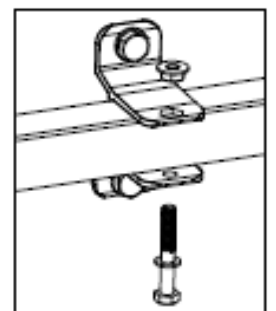
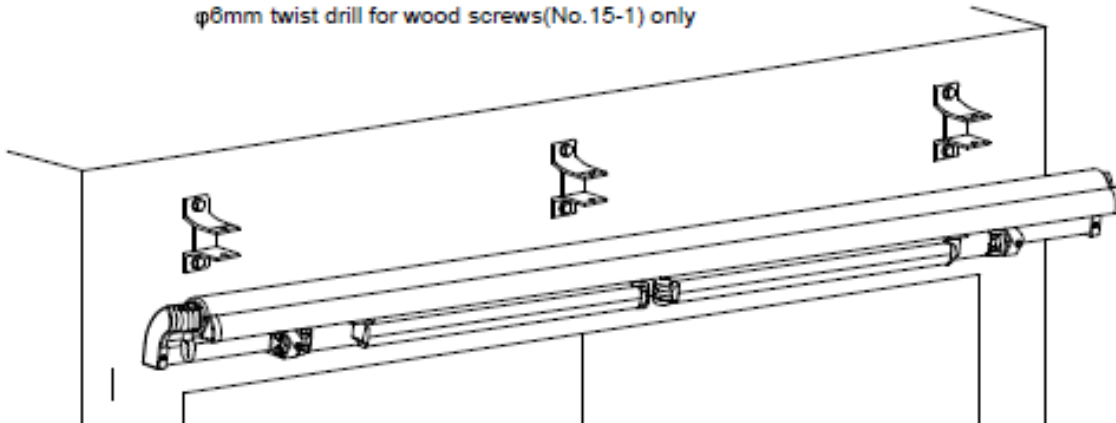


$\phi 12\text{mm}$ or $\phi 6\text{mm}$



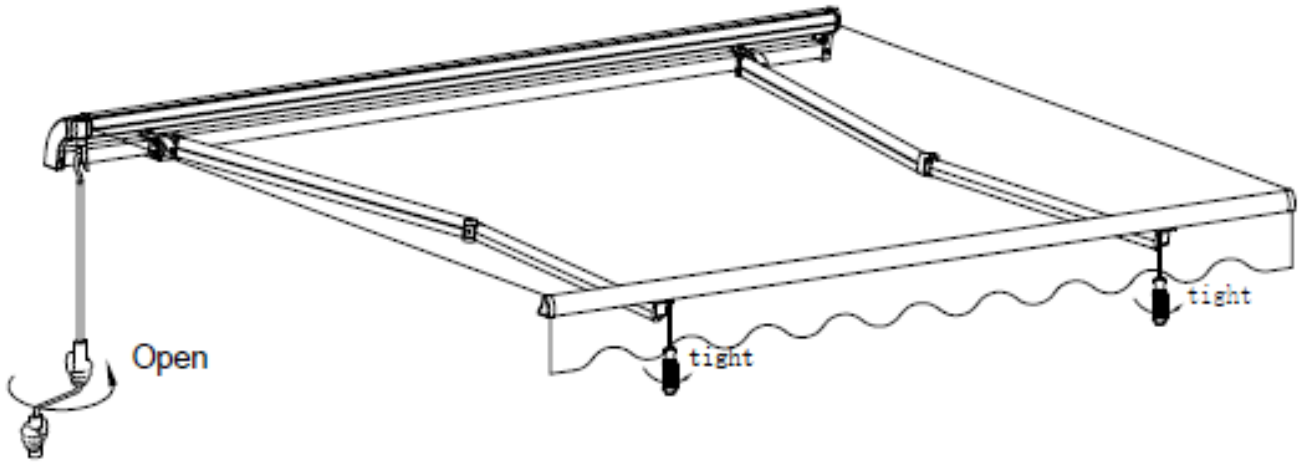
$\phi 12\text{mm}$ chopping bit for expansion bolts(No.15) only

$\phi 6\text{mm}$ twist drill for wood screws(No.15-1) only



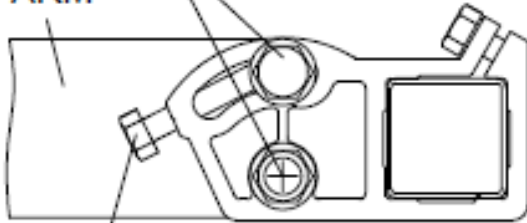
INSTALLATION

15.



LOCKING NUTS

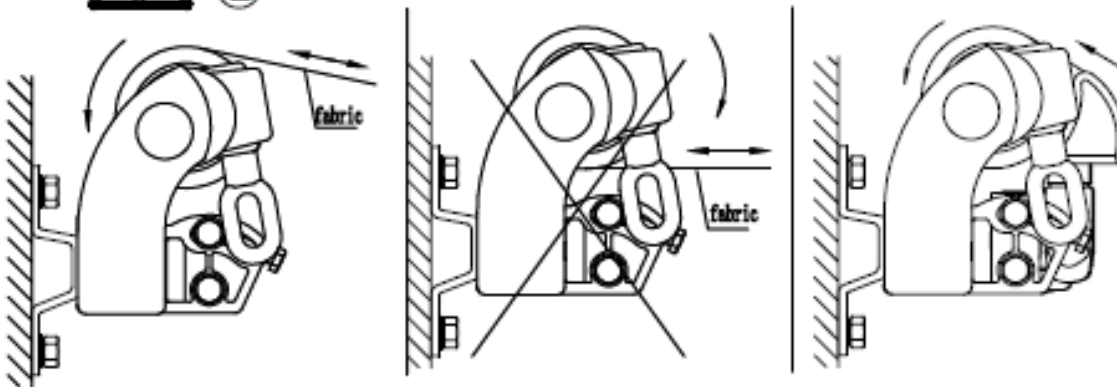
ARM



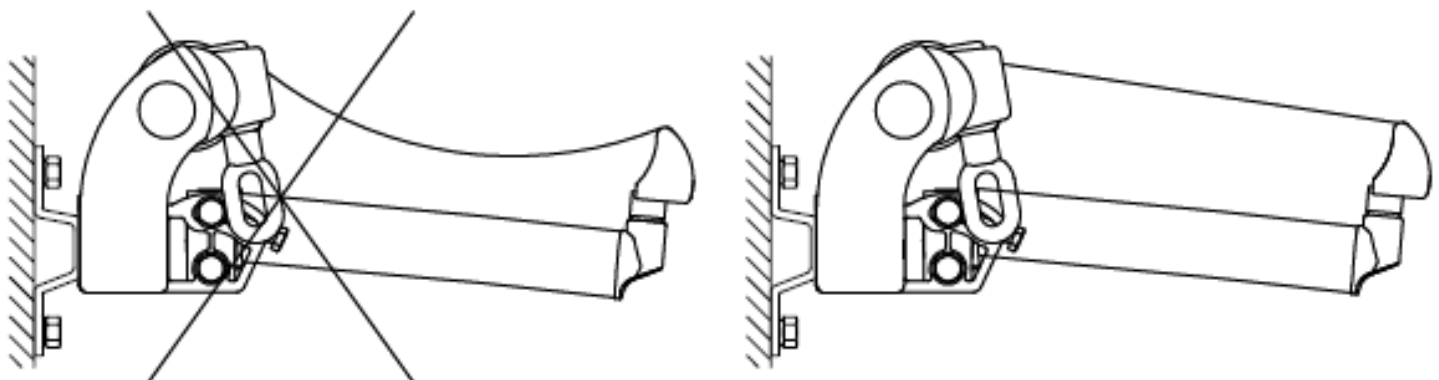
JACK BOLT

Check if the awning is level with the use of the spring level (28) on the front bar. Adjust the angle adjuster at either end by loosening the locking nuts of the angle adjuster, turn the jack bolt to adjust the pitch. Adjust the arm until the front profile is level. Tighten the locking nuts again to fix the level of awning.

To adjust the inclination of the awning, adjust the angle adjuster on both arm shoulders to achieve the desired inclination. Fix the locking nuts when the awning is level.

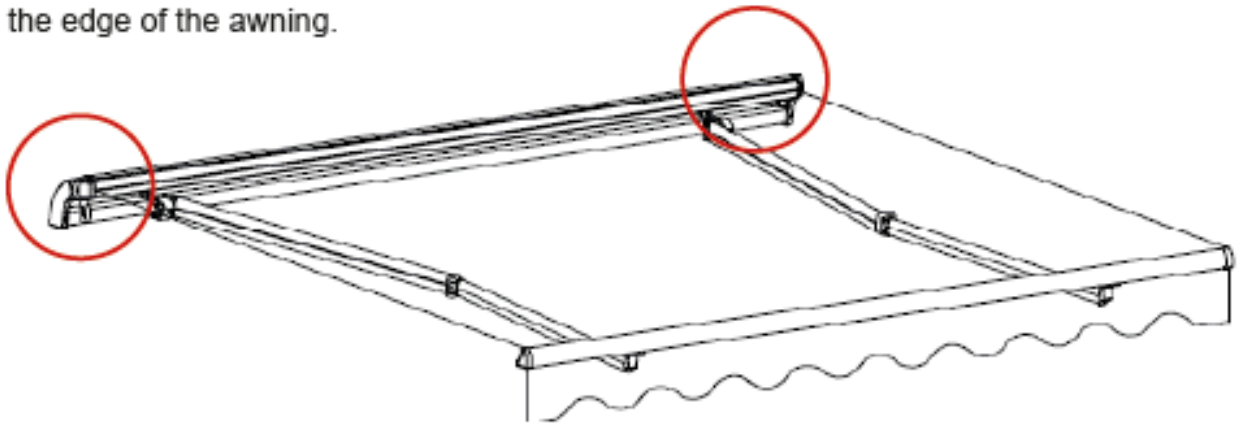


⚠️
Warning: When the front bar touches the end cap shown in the image, do not try to bring them closer. Otherwise, the product may be damaged.

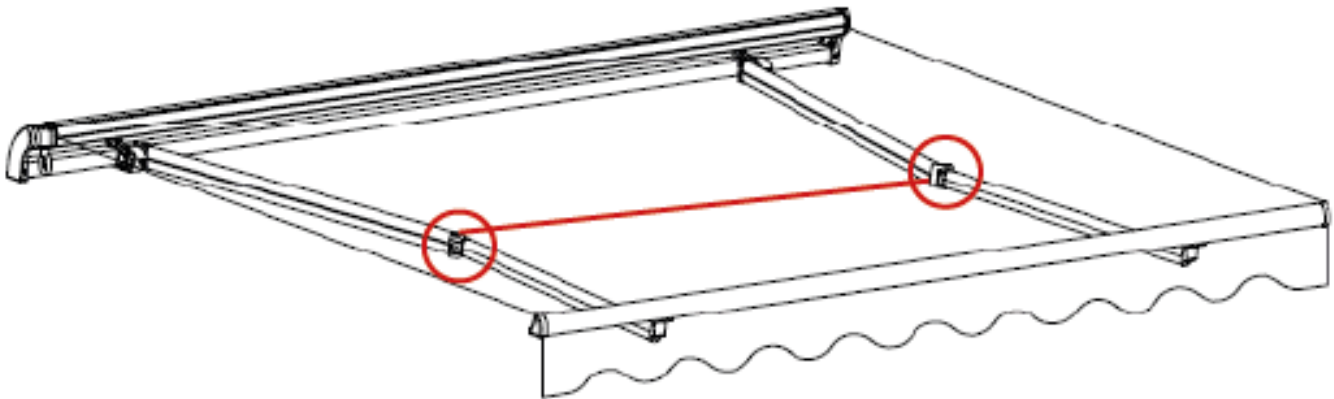


INSTALLATION

IMPORTANT: When installing the awning, verify that both arm stands are installed at the exact same distance from the edge of the awning.



IMPORTANT: When installing the awning, verify that the elbow points on the arm stands are installed at the exact same location on each arm stand. This will ensure the awning will retract smoothly. If the awning jams or is not smooth when retracting, double check that the elbows are aligned correctly.



NOTE: The awning can be adjusted to be higher or lower by using the height adjust



MAINTENANCE

PLEASE READ THE FOLLOWING CAREFULLY

THE MANUFACTURER AND/OR DISTRIBUTOR HAS PROVIDED THE PARTS LIST AND ASSEMBLY DIAGRAM IN THIS MANUAL AS A REFERENCE TOOL ONLY. NEITHER THE MANUFACTURER OR DISTRIBUTOR MAKES ANY REPRESENTATION OR WARRANTY OF ANY KIND TO THE BUYER THAT HE OR SHE IS QUALIFIED TO MAKE ANY REPAIRS TO THE PRODUCT, OR THAT HE OR SHE IS QUALIFIED TO REPLACE ANY PARTS OF THE PRODUCT. IN FACT, THE MANUFACTURER AND/OR DISTRIBUTOR EXPRESSLY STATES THAT ALL REPAIRS AND PARTS REPLACEMENTS SHOULD BE UNDERTAKEN BY CERTIFIED AND LICENSED TECHNICIANS, AND NOT BY THE BUYER. THE BUYER ASSUMES ALL RISK AND LIABILITY ARISING OUT OF HIS OR HER REPAIRS TO THE ORIGINAL PRODUCT OR REPLACEMENT PARTS THERETO, OR ARISING OUT OF HIS OR HER INSTALLATION OF REPLACEMENT PARTS THERETO.

Record Product's Serial Number Here: _____

Note: If product has no serial number, record month and year of purchase instead.

Note: Some parts are listed and shown for illustration purposes only and are not available individually as replacement parts.



SAVE THESE INSTRUCTIONS

Questions, problems, missing parts?



Before returning to your retailer, our exceptional customer service is here to help.

Call Us: 909.628.0880

Email Us: customer@bartonliving.com

Hours of Operation: 9am - 4pm (Monday - Friday)

PRODUCT MADE IN CHINA