



Count on it.

Parts Catalog

TimeCutter® SW 5425

Riding Mower

Model No. 74793—Serial No. 316000001 and Up



Ordering Replacement Parts

To order replacement parts, please supply the part number, the quantity, and the description of each part desired.

Understanding Reference Numbers

Each identified part in an illustration has a reference number. The reference number for a part also appears in the parts list, along with other information about the part.

This catalog uses two special reference number formats, one to indicate parts in a service assembly and another to indicate the quantity of a given part in an illustration.

Service Assembly Reference Numbers

Parts in service assemblies have reference numbers in the form a:b. The a represents the reference number of the entire service assembly and the b represents a sequential number unique to each part within the service assembly.

For example, a wheel assembly might be identified by reference number 6, the tire by 6:1, the valve by 6:2, and the wheel by 6:3. When you order the assembly identified by reference number 6, you receive all parts identified by reference numbers 6:1, 6:2, and 6:3. However, you may also order any part individually. Reference numbers of this type appear in illustration and in parts lists.

Reference Numbers Indicating Quantity

In an illustration, if a reference number indicates more than one part, the reference number has the form nX y. The n represents the quantity of the part, the X is the multiplication symbol, and the y represents the reference number.

For example, in an illustration, the reference number 2X 37 means that two of the parts identified by reference number 37 are indicated.

List of Abbreviations

AR: as required

ASM: assembly

BBC: blade brake control

BHTF: button head thread forming

CARR: carriage

CCW: counter clockwise

CW: clockwise

DEG: degrees

DPA: Dual Point Adjustment

ECM: electronic control module

EXT: external

FH: flat head

GA: gauge

HD: heavy-duty

HF: hex flange

HH: hex head

HHF: hex head flange

HHFTF: hex head flange thread forming

HJ: hex jam

HLH: hex lag head

HOC: height-of-cut

HP: high pressure

HSBH: hex socket button head

HSFH: hex socket flat head

HSH: hex socket head

HWH: hex washer head

HWHTF: hex washer head thread forming

HYD: hydraulic

LH: left hand

LP: low pressure

LPG: Liquefied Petroleum Gas

NI: nylon insert

NPTF: national pipe thread fine

PFH: phillips flat head

PPH: phillips pan head

PPHTF: phillips pan head thread forming

PRH: phillips round head

PTH: phillips truss head

PTO: power-take-off

RH: right hand

ROPS: roll-over protection system

RRB: rear roller brush

SFH: slotted fillister head

SHH: slotted hex head

SHWH: slotted hex washer head

SPH: slotted pan head

SQH: square head

SRH: slotted round head

STD: standard

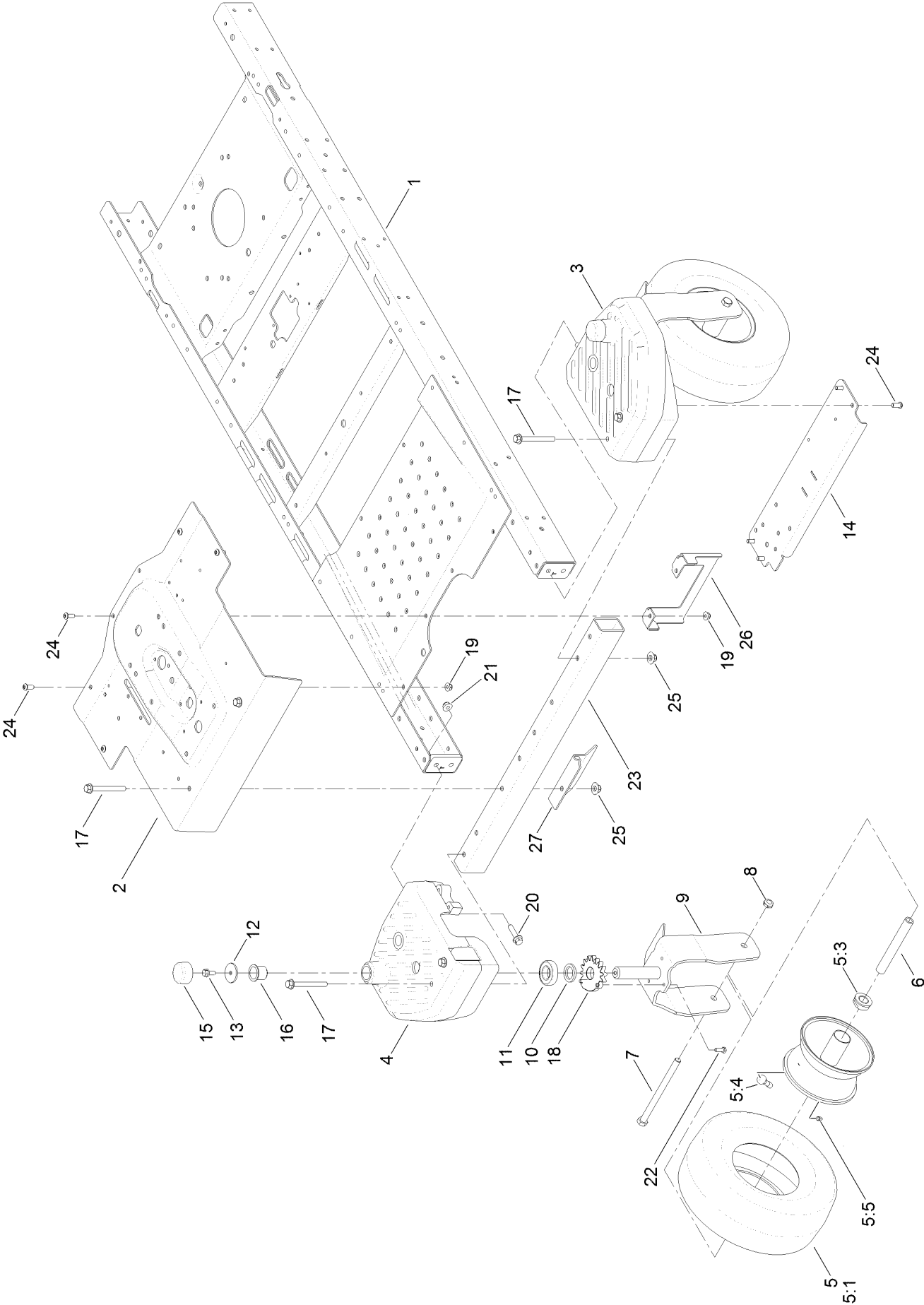
TAP: self tapping

TTH: torx truss head

Contents

Frame, Front Axle and Caster Wheel Assembly	4
Deck Lift Assembly.....	6
Steering Column Assembly	8
Speed Control Assembly.....	10
Neutral Return Assembly	12
Steering Gear Assembly	14
Steering Cable Assembly	16
Steering Assembly	18
Motion Control Assembly	20
Brake Assembly	22
Seat Assembly	24
Seat Assembly No. 131-4147	26
Belt and Idler Assembly.....	28
Hydro Transaxle Drive and Rear Wheel Assembly	30
2 Ply Wheel and Tire Assembly No. 131-3673	32
RH Transaxle Assembly No. 131-3641	34
LH Transaxle Assembly No. 131-3640.....	36
Clutch Assembly.....	38
Engine and Muffler Assembly.....	40
Fuel System Assembly Engine Assembly No. 127-9041	42
Carburetor Assembly No. 127-9289 Engine Assembly 127-9041	44
Air Intake and Filtration Assembly Engine Assembly No. 127-9041.....	46
Ignition and Electrical Assembly Engine Assembly No. 127-9041	48
Crankcase and Crankshaft Assembly Engine Assembly No. 127-9041	50
Governor Control Assembly Engine Assembly No. 127-9041.....	52
Piston and Cylinder Head Assembly Engine Assembly No. 127-9041.....	54
Blower Housing Assembly Engine Assembly No. 127-9041	56
Gasket and Seal Kit Engine Assembly No. 127-9041.....	58
Body Styling and Fuel Tank Assembly	60
Fuel Delivery Assembly.....	62
Wire Harness Assembly	64
Battery and Electrical Assembly.....	66
54 Inch Deck Assembly.....	68
54 Inch Deck Decal Assembly No. 130-7004	70
54 Inch Deck, Belt and Blade Assembly	72
Attachments and Accessories	74

Frame, Front Axle and Caster Wheel Assembly

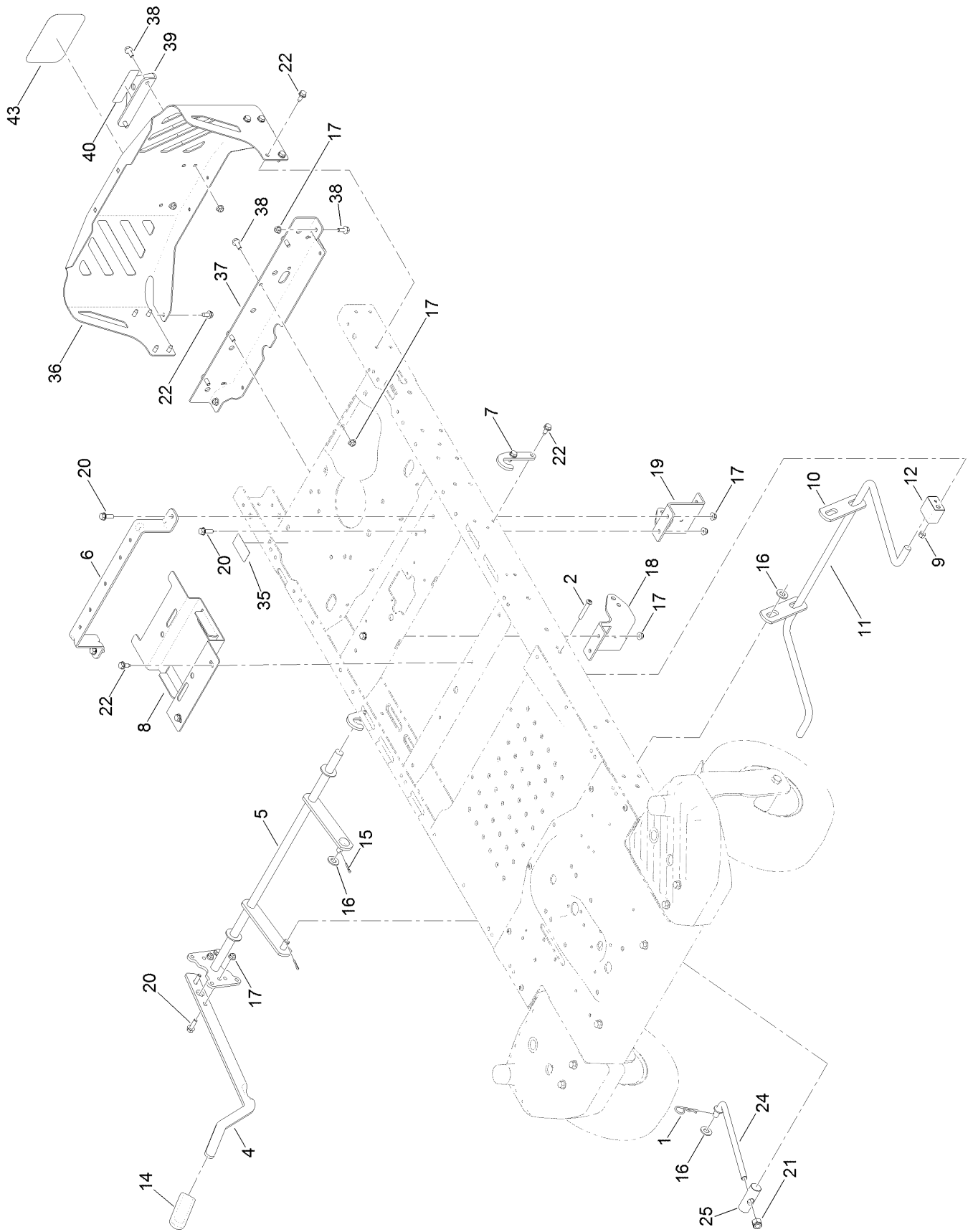


Frame, Front Axle and Caster Wheel Assembly (continued)

<i>Ref.</i>	<i>Part Number</i>	<i>Qty.</i>	<i>Description</i>	<i>Ref.</i>	<i>Part Number</i>	<i>Qty.</i>	<i>Description</i>
1	130-0805-01	1	Frame ASM (Wide)	12	131-1032	2	Washer-Flat
2	132-9346-05	1	Pan-Steer, Front	13	3234-47	2	Screw-HHF
3	130-0748-05	1	Housing-Spindle, LH	14	130-6979-03	1	Plate-Bridge, Wide
4	130-0746-05	1	Housing-Spindle, RH	15	130-7015	2	Cap-Caster
5	119-3473	2	13 Inch Wheel And Tire ASM	16	126-1963	2	Bushing-Pivot
5:1	119-3471	1	Tire-13 Inch	17	115-7660	6	Screw-HHF
5:3	114-1640	2	Bushing-Flange	18	130-0689	2	Gear-Wheel, 15 Teeth
5:4	232-27	1	Stem-Valve	19	104-8300	6	Nut-Flange, NI
5:5	302-5	1	Fitting-Grease	20	114-4681	4	Screw-HHF
5:99	232-46	1	Tube ●	21	104-8301	4	Nut-Flange, NI
6	119-3475	2	Spanner	22	321-4	4	Screw-HH
7	325-37	2	Screw-HH	23	130-0829-03	1	Tube-Front, Wide
8	3296-45	2	Nut-Lock, NI	24	3274-55	10	Screw-HSBH
9	130-0670-03	2	Caster Fork ASM	25	109-6658	6	Nut-Flange, NI
10	117-7394	2	Washer-Thrust	26	132-0941-03	1	Bracket-Upstop
11	109-3678	2	Bearing-Ball	27	132-0868-03	1	Guard-Front

● Not illustrated

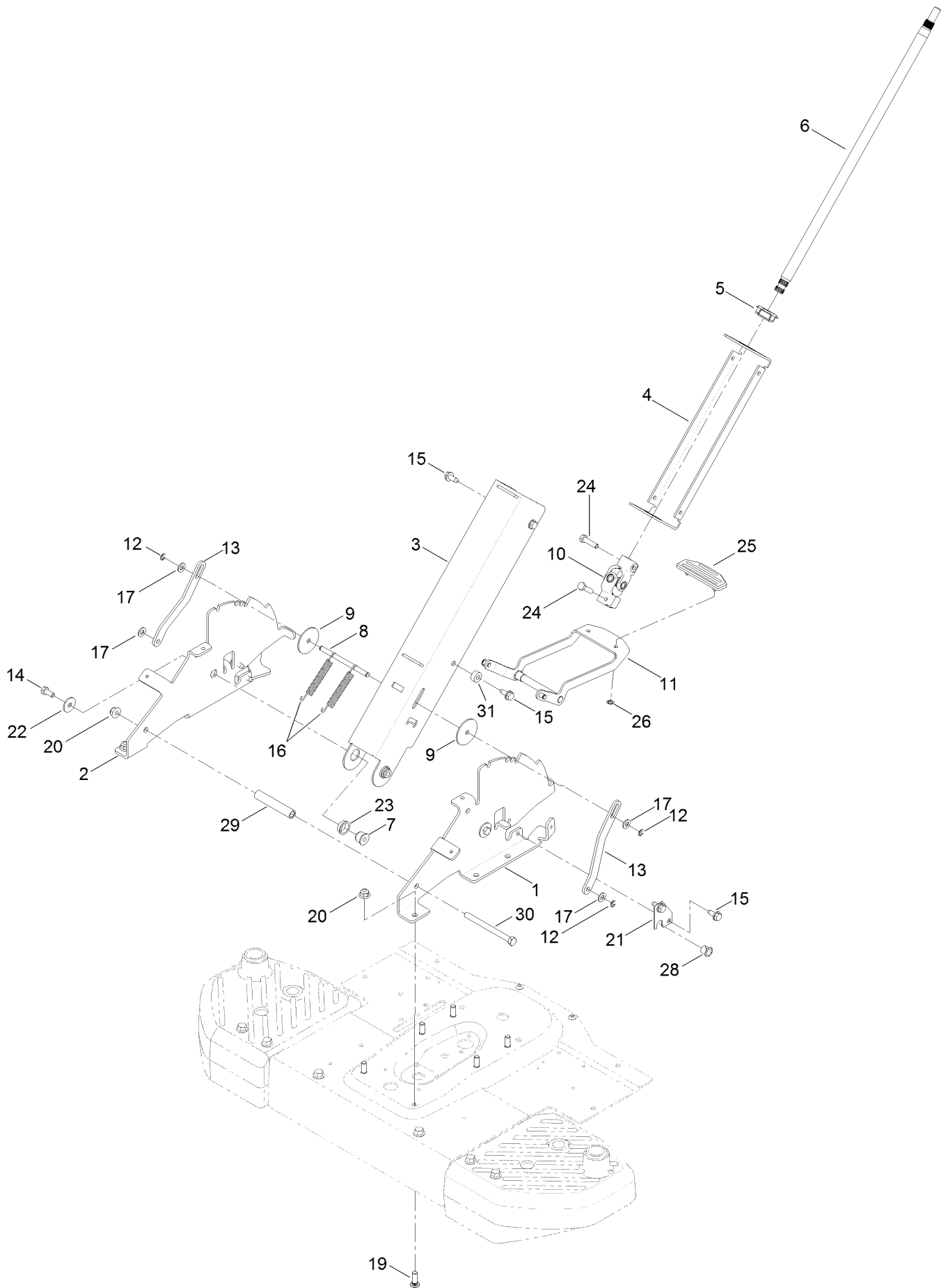
Deck Lift Assembly



Deck Lift Assembly (continued)

<i>Ref.</i>	<i>Part Number</i>	<i>Qty.</i>	<i>Description</i>	<i>Ref.</i>	<i>Part Number</i>	<i>Qty.</i>	<i>Description</i>
1	1-806005	1	Pin-Cotter	18	131-0901-01	1	Mount-Hydro, Front Right
2	120-5499	2	Screw-HSBH	19	131-0902-01	1	Mount-Hydro, Front Left
4	119-3427-03	1	Lever-Lift	20	3234-29	6	Screw-HHF
5	132-6878-03	1	Lift-Deck, Wide	21	3296-19	1	Nut-Hex
6	117-7337-03	1	Brace-Seat, Rear (Wide)	22	32144-70	16	Screw-HWHTF
7	119-8875	2	Bracket-Lift	24	131-3945	1	Rod-Mount, Deck
8	131-0914-03	1	Bracket-Battery	25	119-8810	1	Pin-Pivot
9	3296-29	2	Nut-Lock, NI	35	121-2989	2	Decal-Bypass
10	108-7840	2	Link-Lift	36	130-0701-03	1	Guard-Engine, Wide
11	119-3347	1	Arm-Lift, Rear (Wide)	37	130-6946-01	1	Crossmember-Rear, Wide
12	108-7845	2	Block-Pivot	38	3234-47	8	Screw-HHF
14	1-633268	1	Grip-Lever	39	117-1232-03	1	Bracket-Hitch
15	3272-11	2	Pin-Cotter	40	131-4036	1	Decal
16	3256-26	3	Washer-Flat	43	99-4693	1	Decal
17	104-8300	14	Nut-Flange, NI				

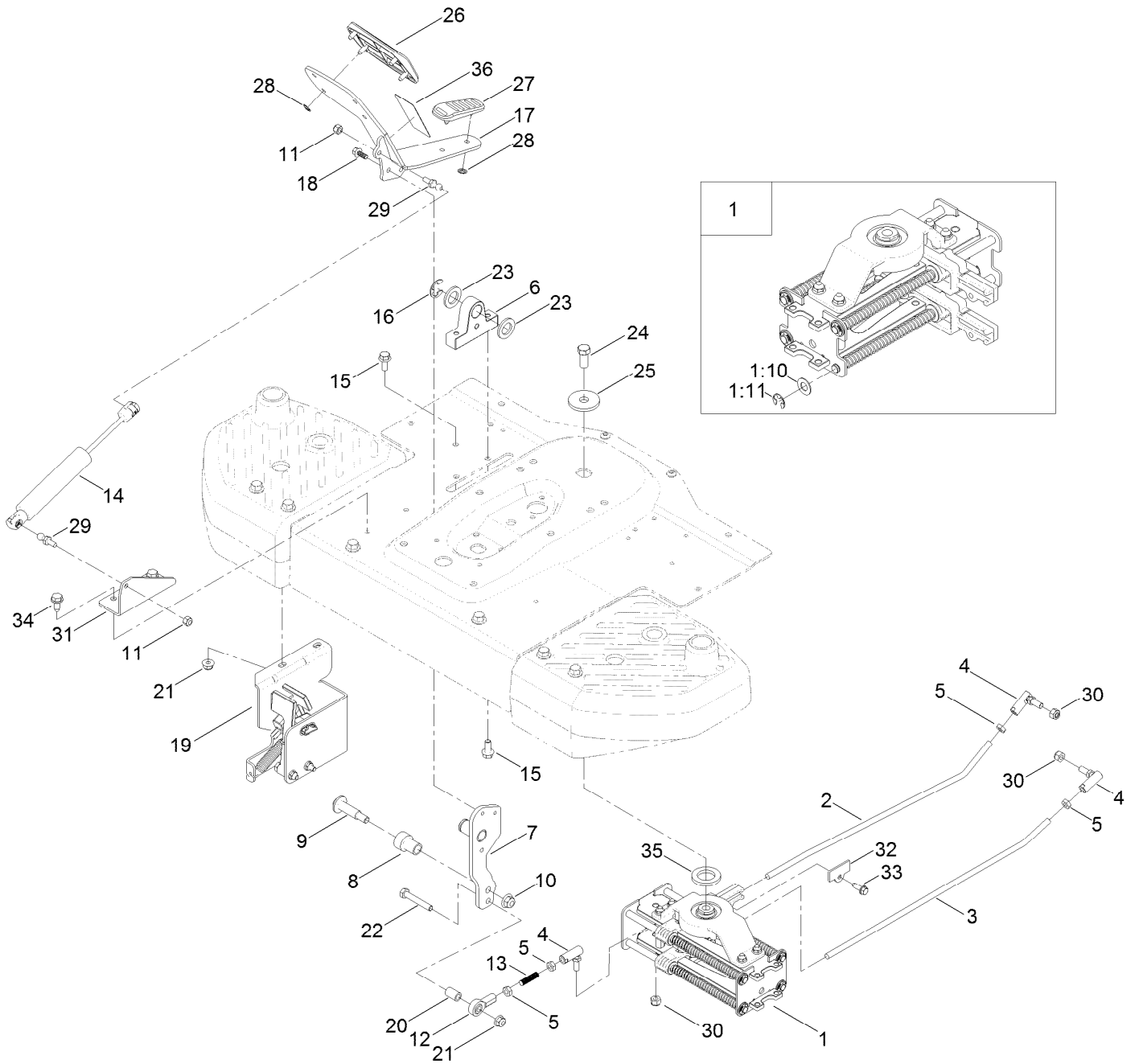
Steering Column Assembly



Steering Column Assembly (continued)

<i>Ref.</i>	<i>Part Number</i>	<i>Qty.</i>	<i>Description</i>	<i>Ref.</i>	<i>Part Number</i>	<i>Qty.</i>	<i>Description</i>
1	131-1052-03	1	Bracket-Pivot, Column (LH)	16	130-6998	2	Spring-Extension
2	131-1053-03	1	Bracket-Pivot, Column (RH)	17	3256-23	4	Washer-Flat
3	131-1054-01	1	Column-Front	19	132-0921	6	Stud-Push-In
4	132-9315-01	1	Column-Back	20	104-8301	7	Nut-Flange, NI
5	133-1160	1	Bearing-Spherical	21	131-1043	2	Plate-Retainer
6	125-5507	1	Shaft-Steering, Upper	22	5-4460	2	Washer-Pivot
7	131-1056	2	Spacer-Pivot, Column	23	99-4243	2	Bushing-Flange
8	131-1050	1	Rod-Plunger	24	322-6	2	Screw-HH
9	131-8729	2	Washer-Shaft, Tilt	25	131-4096	1	Pad-Tilt Pedal
10	131-1030	1	U-Joint ASM	26	32112-6	2	Nut-Push
11	132-6868	1	Release Pedal ASM	28	256-257	2	Bushing-Nyliner
12	701197	4	E-Ring	29	131-3697	1	Spacer
13	131-1049	2	Plate-Plunger	30	323-23	1	Screw-HH
14	322-3	2	Screw-HH	31	121-1759	2	Spacer
15	32144-70	8	Screw-HWHTF				

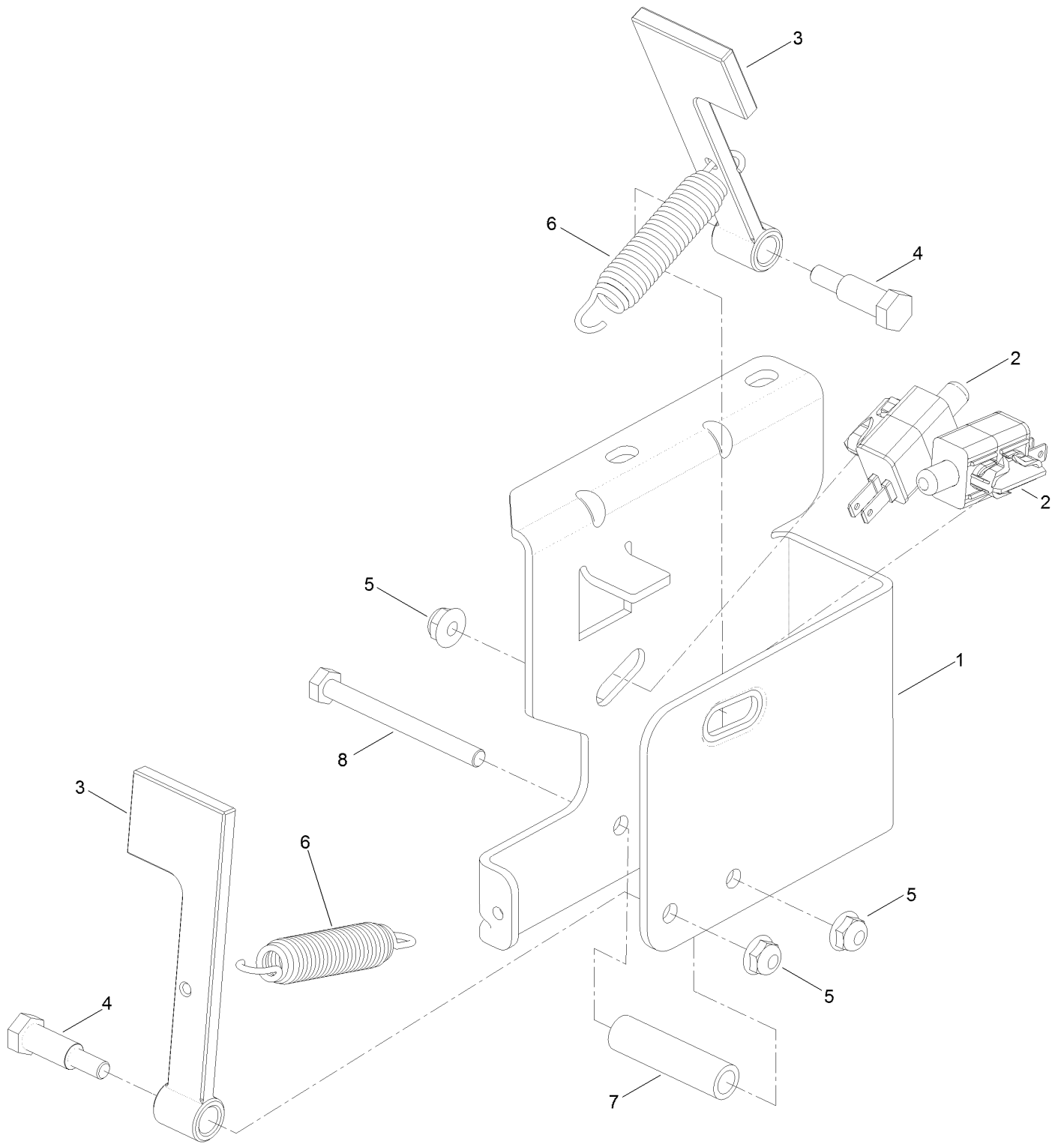
Speed Control Assembly



Speed Control Assembly (continued)

<i>Ref.</i>	<i>Part Number</i>	<i>Qty.</i>	<i>Description</i>	<i>Ref.</i>	<i>Part Number</i>	<i>Qty.</i>	<i>Description</i>
1	131-0904	1	Speed Control ASM	18	99-6810	2	Screw-HHF
1:10	131-8667	12	Washer-Thrust	19	131-0903	1	Neutral Return ASM
1:11	32120-18	8	E-Ring	20	131-1034	1	Spacer
2	127-0115	1	Rod-Hydro, RH	21	104-8300	3	Nut-Flange, NI
3	127-0116	1	Rod-Hydro, LH	22	322-10	1	Screw-HH
4	2411-33	3	Balljoint-RH (W/Grommet)	23	70-1160	2	Washer
5	3220-2	4	Nut-Jam	24	324-4	1	Screw-HH
6	130-6887	1	Mount-Pedal Pivot	25	84-1560	1	Washer-Thrust
7	132-6907	1	Pivot Lever ASM	26	98-9040	1	Pad-Toe, Hydro Pedal
8	127-3397	1	Roller	27	98-9039	1	Pad-Heel, Hydro Pedal
9	56-6590	1	Bolt-Wheel	28	32112-6	6	Nut-Push
10	104-8301	1	Nut-Flange, NI	29	132-6917	2	Ball Stud
11	3296-42	4	Nut-Lock, NI	30	3296-4	3	Nut-Lock
12	1-543017	1	Balljoint-RH	31	130-6910-03	1	Bracket-Damper
13	130-6906	1	Rod-Threaded	32	131-1041	2	Cover-End Rod
14	133-1171	1	Damper-Non Cavitating	33	32144-44	2	Screw-HWH, Thread Roll
15	3234-47	4	Screw-HHF	34	32144-70	2	Screw-HWHTF
16	32151-48	1	E-Ring	35	131-8736	1	Spacer-Bearing
17	132-6865-01	1	Traction Pedal ASM	36	132-6863	1	Decal-Release, Break

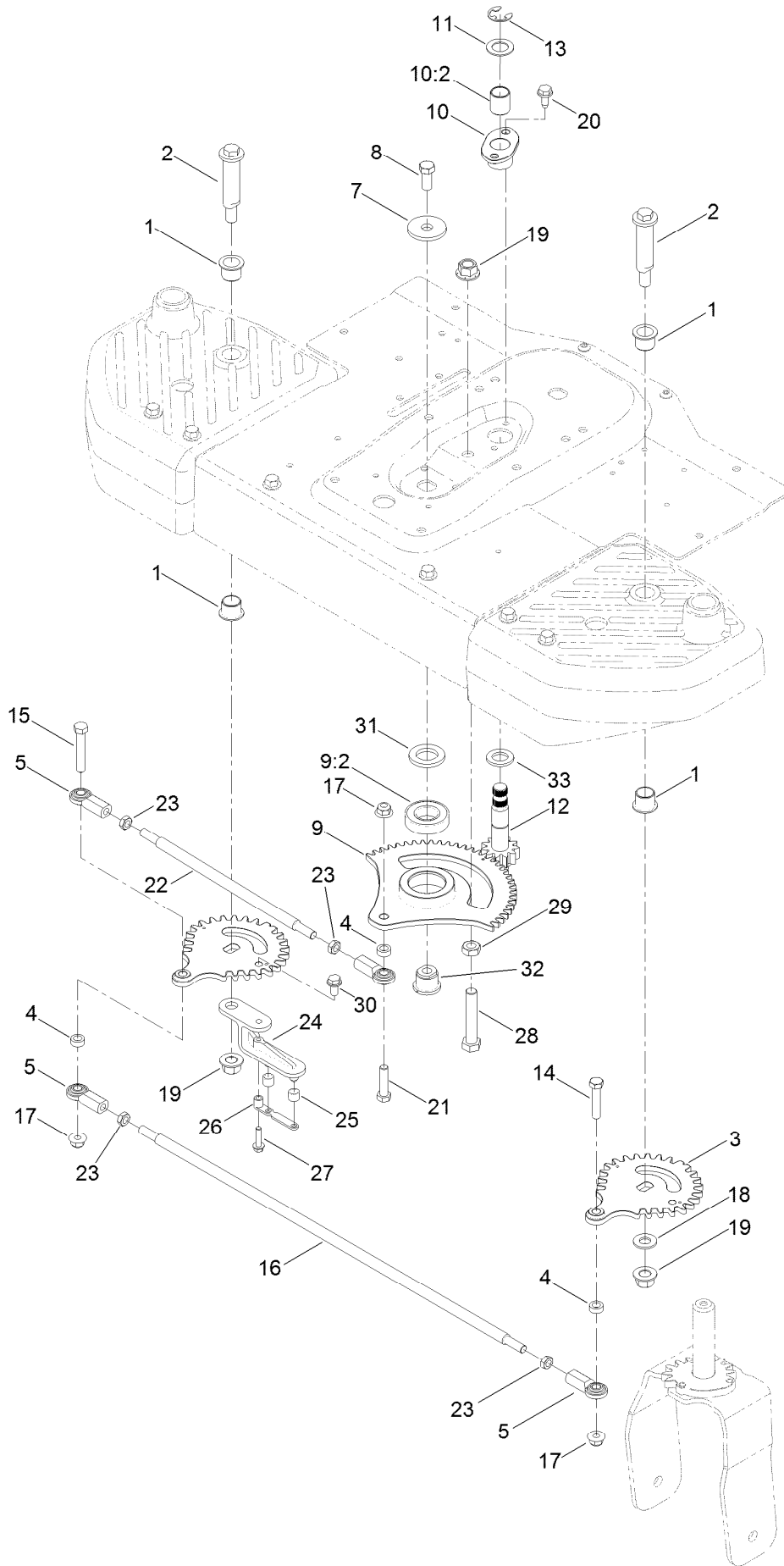
Neutral Return Assembly



Neutral Return Assembly (continued)

<i>Ref.</i>	<i>Part Number</i>	<i>Qty.</i>	<i>Description</i>	<i>Ref.</i>	<i>Part Number</i>	<i>Qty.</i>	<i>Description</i>
1	132-0909-03	1	Bracket-Switch	5	104-7201	3	Nut-Flange, NI
2	110-6765	2	Switch	6	132-6915	2	Spring - Extension
3	130-0782	2	Arm-Switch	7	131-3976	1	Spacer
4	119-2309	2	Bolt-Shoulder	8	321-14	1	Screw-HH

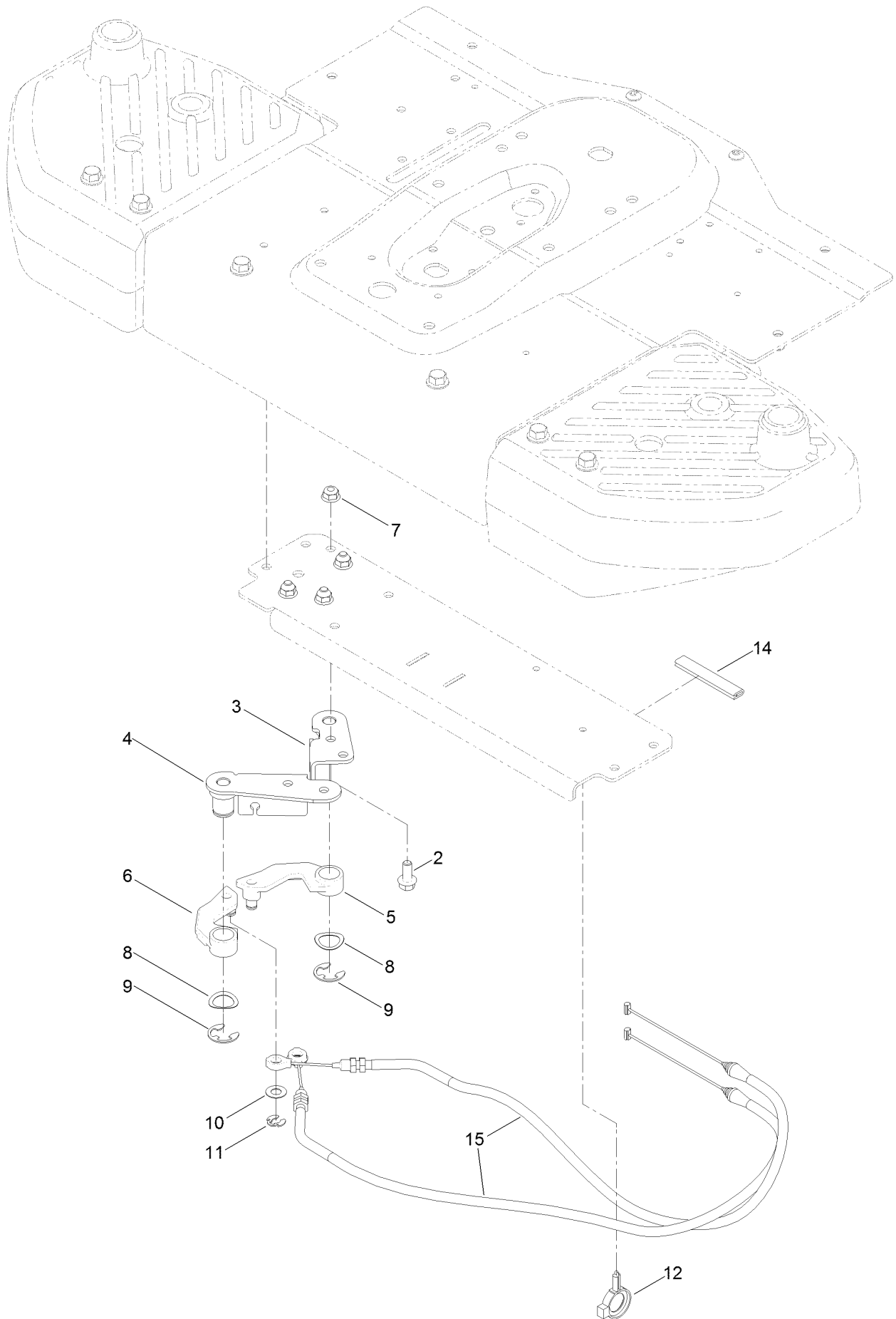
Steering Gear Assembly



Steering Gear Assembly (continued)

<i>Ref.</i>	<i>Part Number</i>	<i>Qty.</i>	<i>Description</i>	<i>Ref.</i>	<i>Part Number</i>	<i>Qty.</i>	<i>Description</i>
1	103-4398	4	Bearing-Flange, Iglide	17	104-8301	3	Nut-Flange, NI
2	131-1031	2	Bolt-Shoulder	18	3256-26	1	Washer-Flat
3	130-0830	2	Gear-Wheel, 30 Teeth	19	99-5107	3	Nut-Lock
4	83-1050	3	Spacer	20	32144-70	2	Screw-HWHTF
5	103-0608	4	Joint-Ball, End	21	323-8	1	Screw-HH
7	84-1560	1	Washer-Thrust	22	131-1037	1	Rod-Steering, Wide
8	324-4	1	Screw-HH	23	3220-3	4	Nut-HJ
9	131-8731	1	Sector Gear ASM	24	130-6878	1	Lever-Cable
9:2	109-3678	1	Bearing-Ball	25	131-3951	2	Bushing
10	131-8733	1	Flange Bearing ASM	26	131-3950	1	Strap-Roller
10:2	115-7019	1	Bushing-Straight	27	32144-86	1	Screw-HWHTF
11	119-7640	1	Washer-Thrust	28	325-11	1	Screw-HH
12	125-5508	1	Lower Steering Shaft ASM	29	3218-5	1	Nut-Jam
13	32151-48	1	E-Ring	30	32144-14	1	Screw-HWHTF
14	323-9	1	Screw-HH	31	131-8736	1	Spacer-Bearing
15	323-11	1	Screw-HH	32	131-8737	1	Pivot-Bearing
16	130-6986	1	Rod-Cross, Wide	33	70-1160	1	Washer

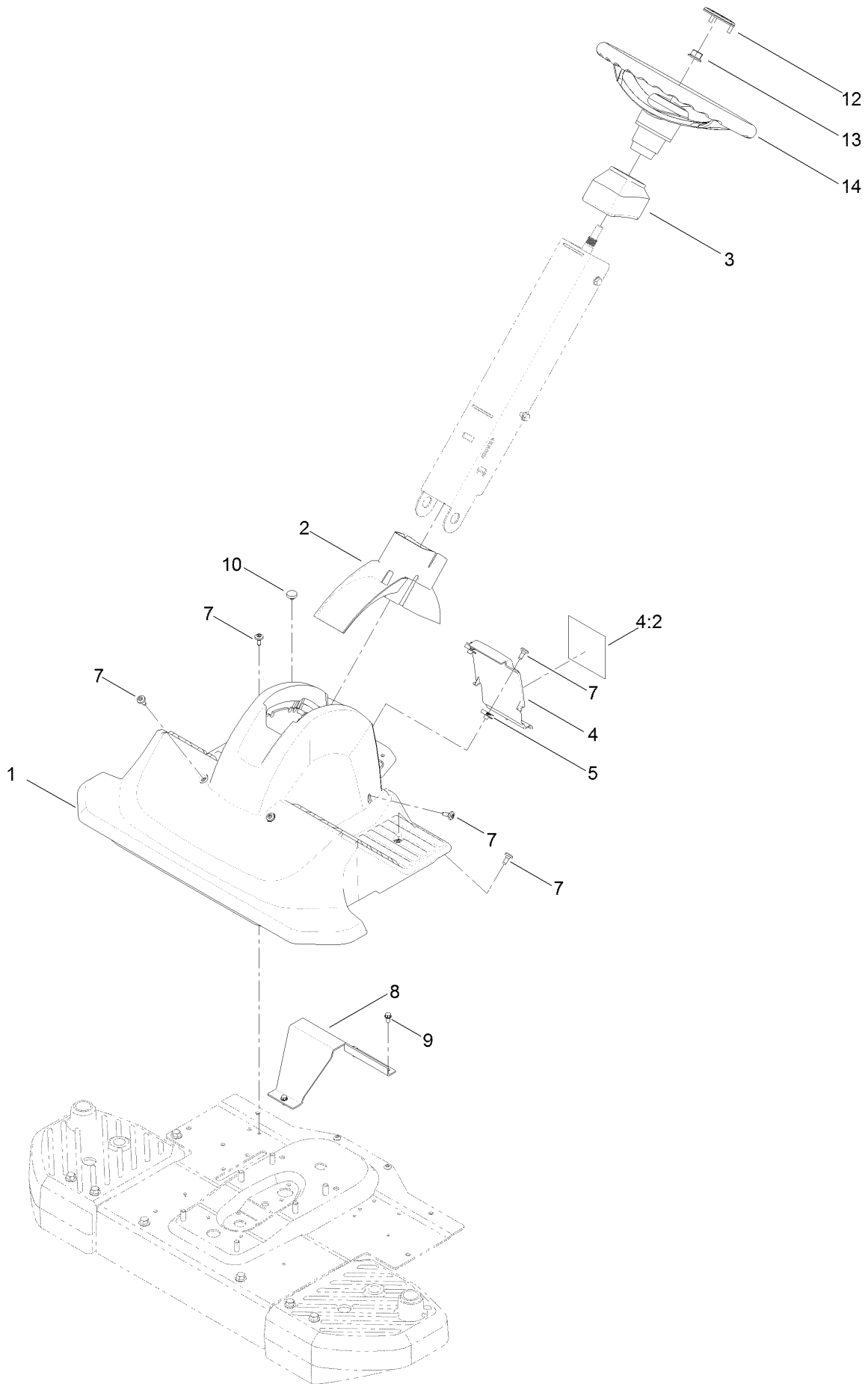
Steering Cable Assembly



Steering Cable Assembly (continued)

<i>Ref.</i>	<i>Part Number</i>	<i>Qty.</i>	<i>Description</i>	<i>Ref.</i>	<i>Part Number</i>	<i>Qty.</i>	<i>Description</i>
2	3234-47	4	Screw-HHF	9	32151-48	2	E-Ring
3	132-6943	1	Cable Bracket ASM	10	37-8080	2	Washer-Thrust
4	132-6944	1	Cable Bracket ASM	11	32151-47	2	Ring-Retaining
5	131-3623	1	Arm-Cable, RH	12	105-1853	2	Clamp-Hose
6	131-3647	1	Arm-Cable, LH	14	105-7699	1	Strip-Seal
7	104-8300	4	Nut-Flange, NI	15	127-0118	2	Cable-Steering
8	7896	2	Washer-Bowed				

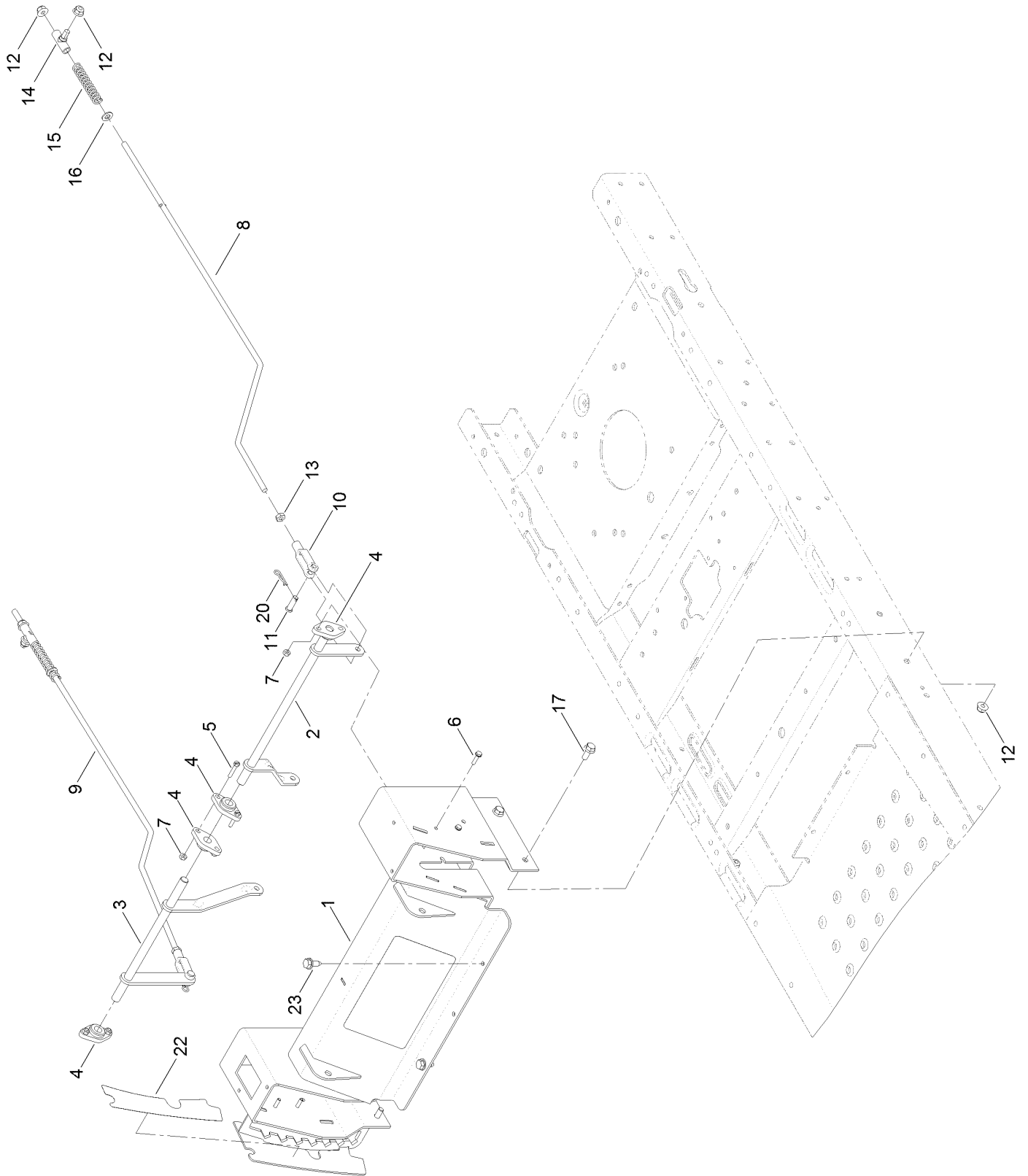
Steering Assembly



Steering Assembly (continued)

<i>Ref.</i>	<i>Part Number</i>	<i>Qty.</i>	<i>Description</i>	<i>Ref.</i>	<i>Part Number</i>	<i>Qty.</i>	<i>Description</i>
1	133-1152	1	Shroud-Styling, Front	8	131-1029-03	1	Support-Footrest
2	131-1028	1	Cover-Pivot, Column	9	32144-4	3	Screw-HWH
3	131-1066	1	Cap-Column	10	1-513658	1	Bumper
4	131-4099	1	Rear Cover And Decal ASM	12	131-3630	1	Cap-Wheel, Steering
4:2	132-0870	1	Decal-Danger	13	99-5107	1	Nut-Lock
5	107069	2	Clip	14	131-0957	1	Wheel-Steering
7	120-7950	9	Screw-Shoulder				

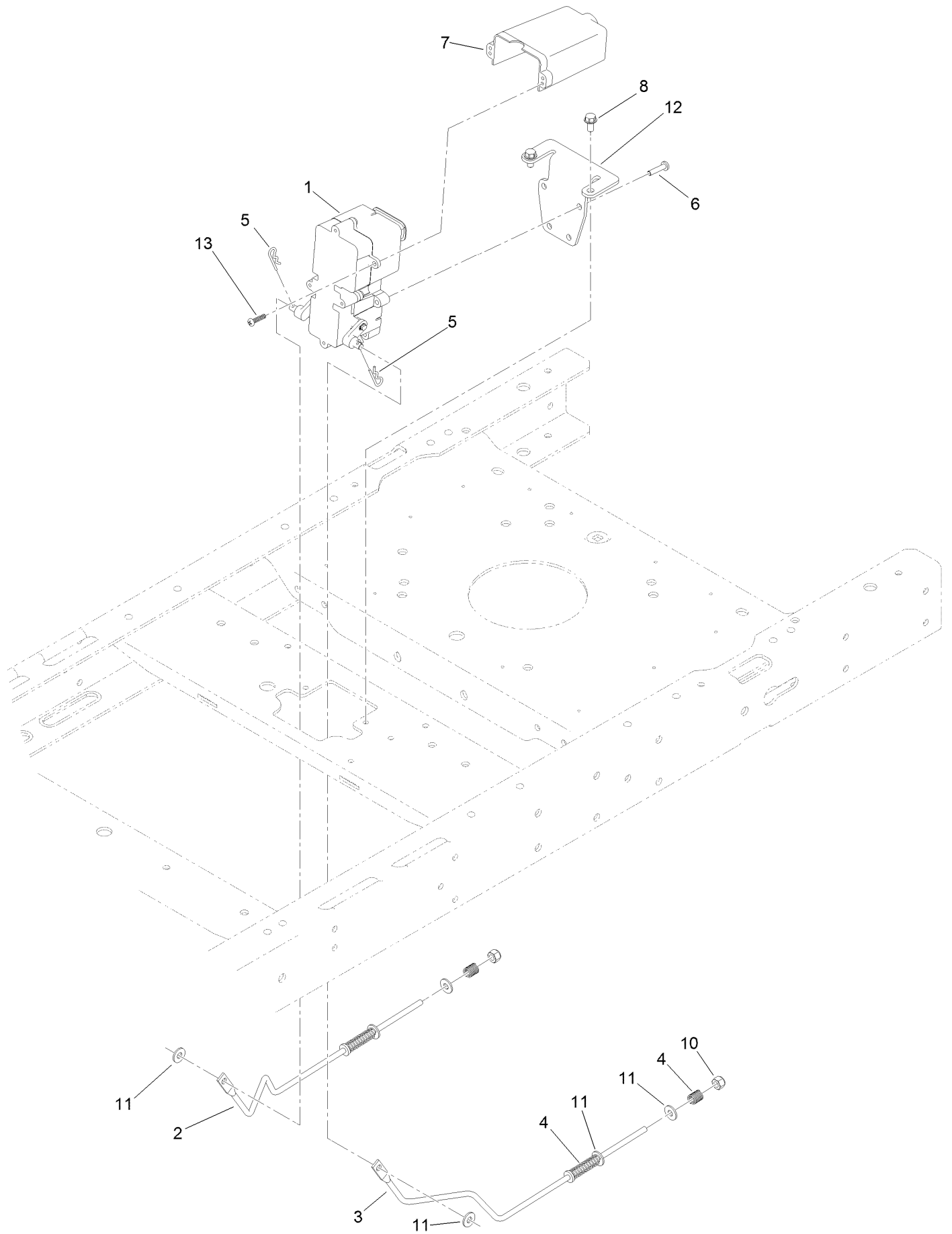
Motion Control Assembly



Motion Control Assembly (continued)

<i>Ref.</i>	<i>Part Number</i>	<i>Qty.</i>	<i>Description</i>	<i>Ref.</i>	<i>Part Number</i>	<i>Qty.</i>	<i>Description</i>
1	125-5458-03	1	Box-Control, Wide	11	1-808280	2	Pin-Clevis
2	132-6880	1	Bellcrank-LH	12	104-8300	8	Nut-Flange, NI
3	132-6886	1	Bellcrank-RH	13	3220-2	2	Nut-Jam
4	127-0146	4	Bearing- Flange	14	119-8842	2	Mount-Rod, Hydro
5	32105-12	2	Screw	15	1-603807	2	Spring-Return, Neutral
6	3290-126	4	Screw-HWH	16	3256-23	2	Washer-Flat
7	3296-2	6	Nut-Lock, NI	17	3234-47	4	Screw-HHF
8	125-1812	1	Rod-Hydro, LH	20	1-806003	2	Pin-Cotter
9	127-3378	1	Rod-Hydro, RH	22	119-8870	1	Decal-HOC
10	1-303105	2	Yoke-Adjustable	23	32144-70	2	Screw-HWHTF

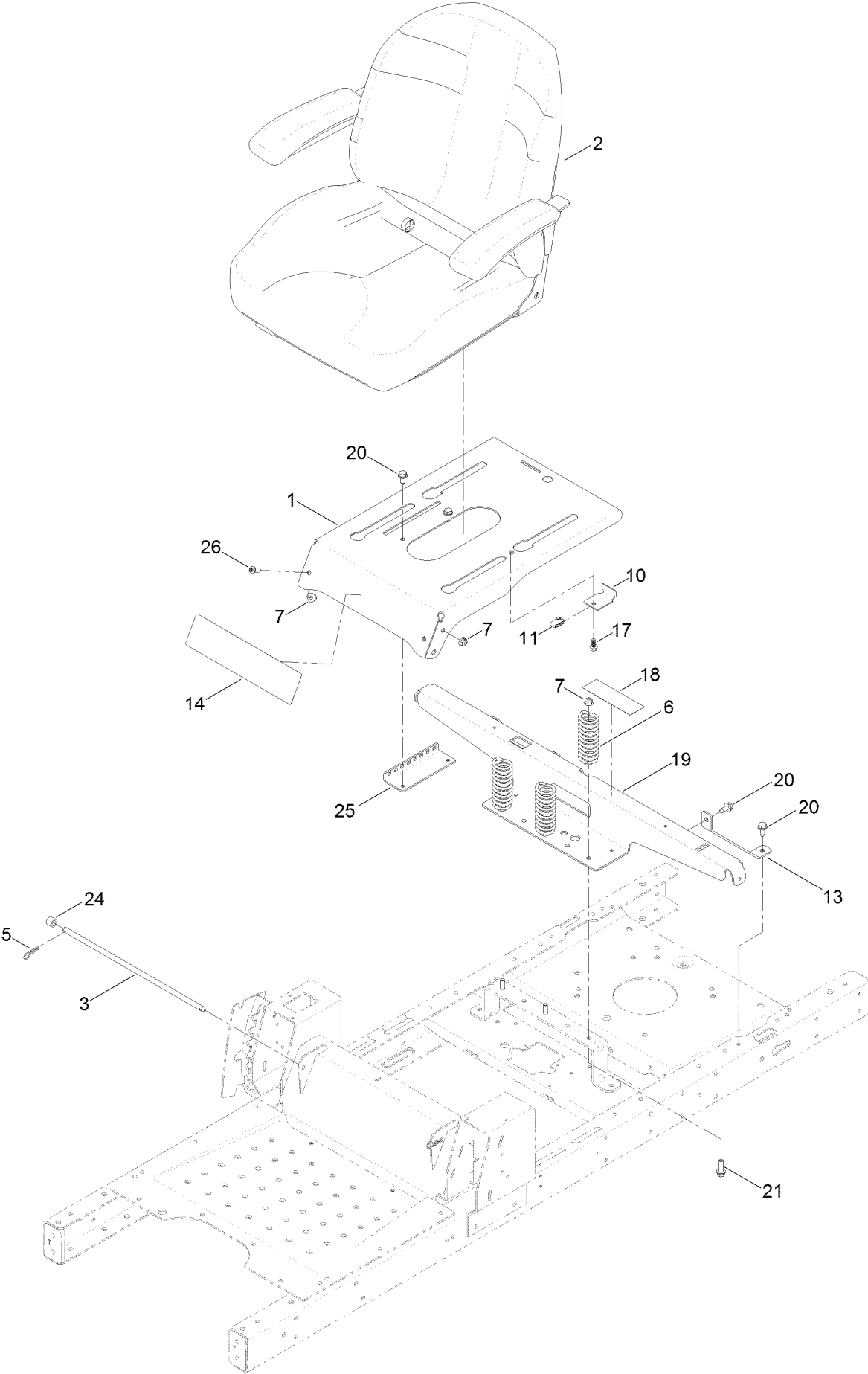
Brake Assembly



Brake Assembly (continued)

<i>Ref.</i>	<i>Part Number</i>	<i>Qty.</i>	<i>Description</i>	<i>Ref.</i>	<i>Part Number</i>	<i>Qty.</i>	<i>Description</i>
1	130-0795	1	Brake Box ASM	7	130-6974	1	Cover-Connector
2	121-2976	1	Rod-Brake, Wide (RH)	8	32144-4	2	Screw-HWH
3	121-2977	1	Rod-Brake, Wide (LH)	10	3296-42	2	Nut-Lock, NI
4	117-1169	4	Spring-Compression	11	119-8952	6	Washer
5	3290-307	2	Pin-Cotter	12	130-0790-03	1	Bracket-Mount, Brake
6	32144-36	4	Screw-PPH	13	94-4496	2	Screw-PPH

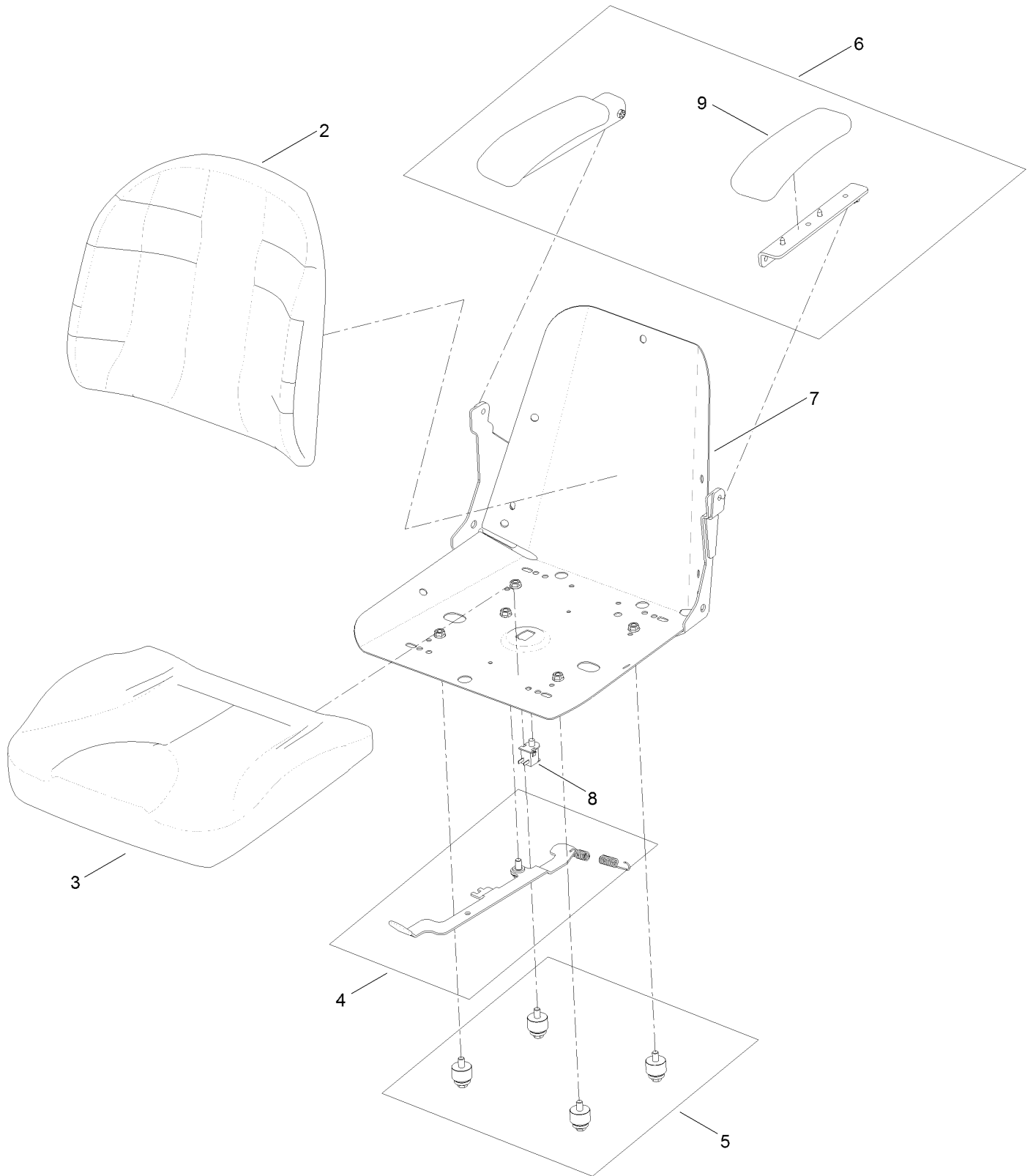
Seat Assembly



Seat Assembly (continued)

<i>Ref.</i>	<i>Part Number</i>	<i>Qty.</i>	<i>Description</i>	<i>Ref.</i>	<i>Part Number</i>	<i>Qty.</i>	<i>Description</i>
1	132-0919-03	1	Pan-Seat	14	132-0888	1	Decal
2	131-4147	1	Seat ASM	17	99-6810	1	Screw-HHF
3	115-4966	1	Rod-Stop	18	106-8717	1	Decal-Service
5	3290-250	2	Pin-Cotter	19	131-1039-03	1	Support-Pod, Wide
6	92-7054	3	Spring-Compression	20	32144-70	4	Screw-HWHTF
7	104-8300	5	Nut-Flange, NI	21	3234-29	3	Screw-HHF
10	131-1038	1	Bracket-Stop, Seat	24	1-413088	2	Bushing-Lever, Lift
11	107069	1	Clip	25	131-4008-03	1	Bracket-Latch, Seat
13	119-3431-03	2	Support-Tank, Rear	26	3274-55	2	Screw-HSBH

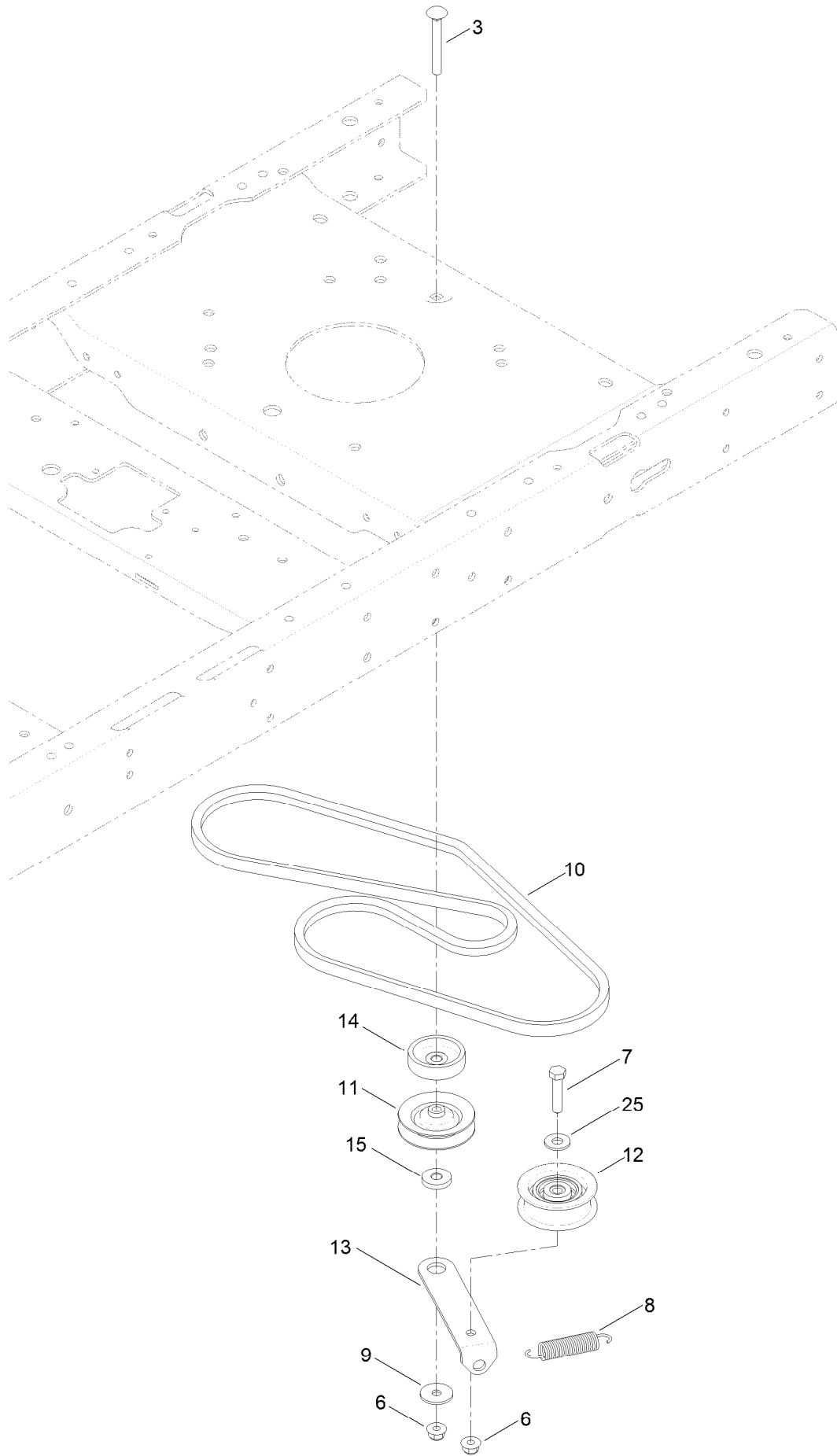
Seat Assembly No. 131-4147



Seat Assembly No. 131-4147 (continued)

<i>Ref.</i>	<i>Part Number</i>	<i>Qty.</i>	<i>Description</i>	<i>Ref.</i>	<i>Part Number</i>	<i>Qty.</i>	<i>Description</i>
2	131-4149	1	Cushion-Seat, Back	6	131-4155	1	Armrest Kit
3	131-4151	1	Cushion-Seat, Bottom	7	131-4156	1	Shell
4	131-4153	1	Track ASM	8	82-2190	1	Switch-Bail
5	131-4154	1	Bushing ASM	9	110-4163	2	Cushion-Rest, Arm

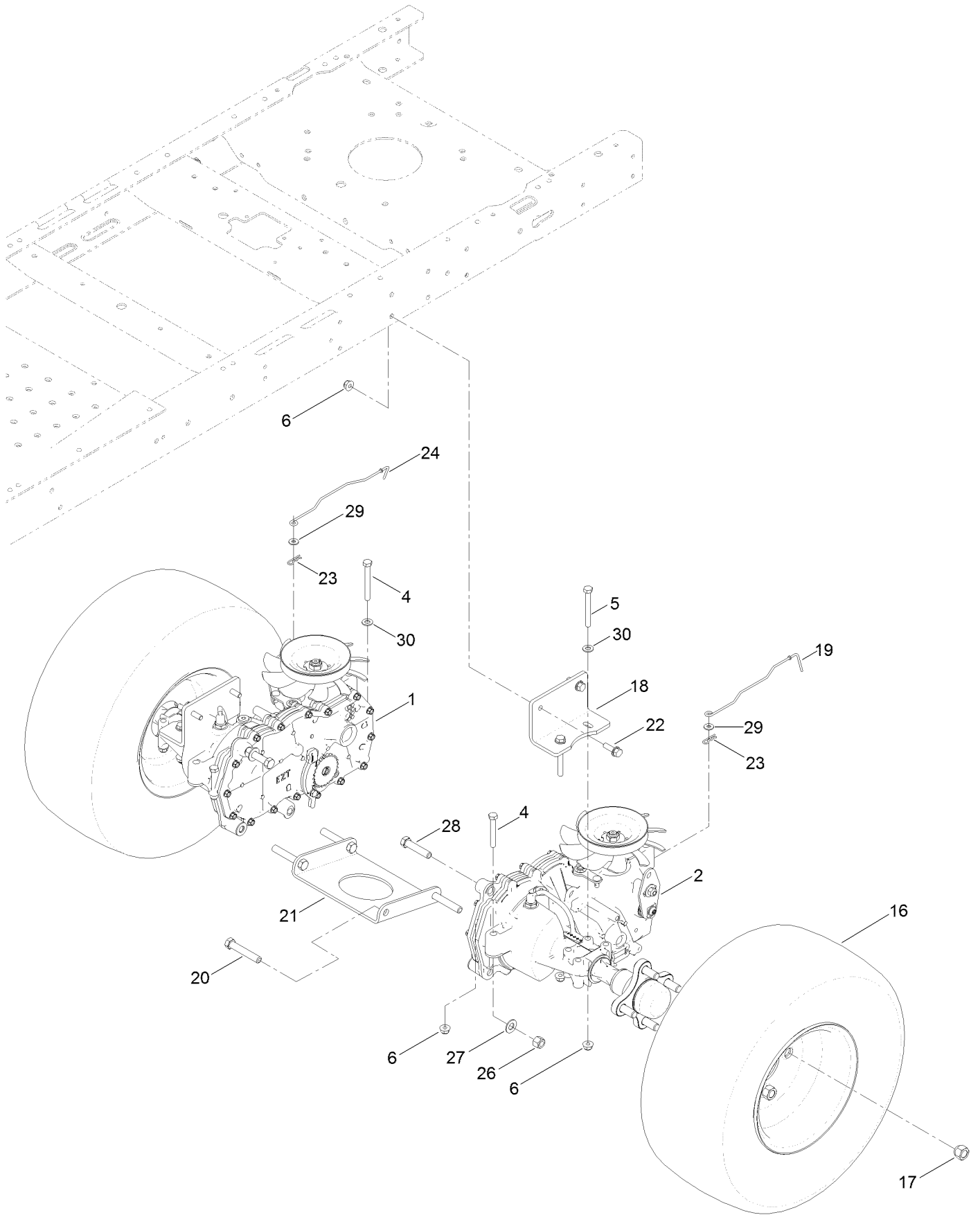
Belt and Idler Assembly



Belt and Idler Assembly (continued)

<i>Ref.</i>	<i>Part Number</i>	<i>Qty.</i>	<i>Description</i>	<i>Ref.</i>	<i>Part Number</i>	<i>Qty.</i>	<i>Description</i>
3	3230-8	1	Screw-CARR	11	119-8822	1	Pulley-Idler
6	104-8300	2	Nut-Flange, NI	12	106-2176	1	Pulley-Idler
7	322-7	1	Screw-HH	13	119-3326	1	Arm-Idler
8	104-6415	1	Spring-Return, Pedal	14	119-3353	1	Spacer
9	5-4460	1	Washer-Pivot	15	119-3327	1	Spacer-Arm, Idler
10	130-6976	1	V-Belt	25	3256-3	1	Washer-Flat

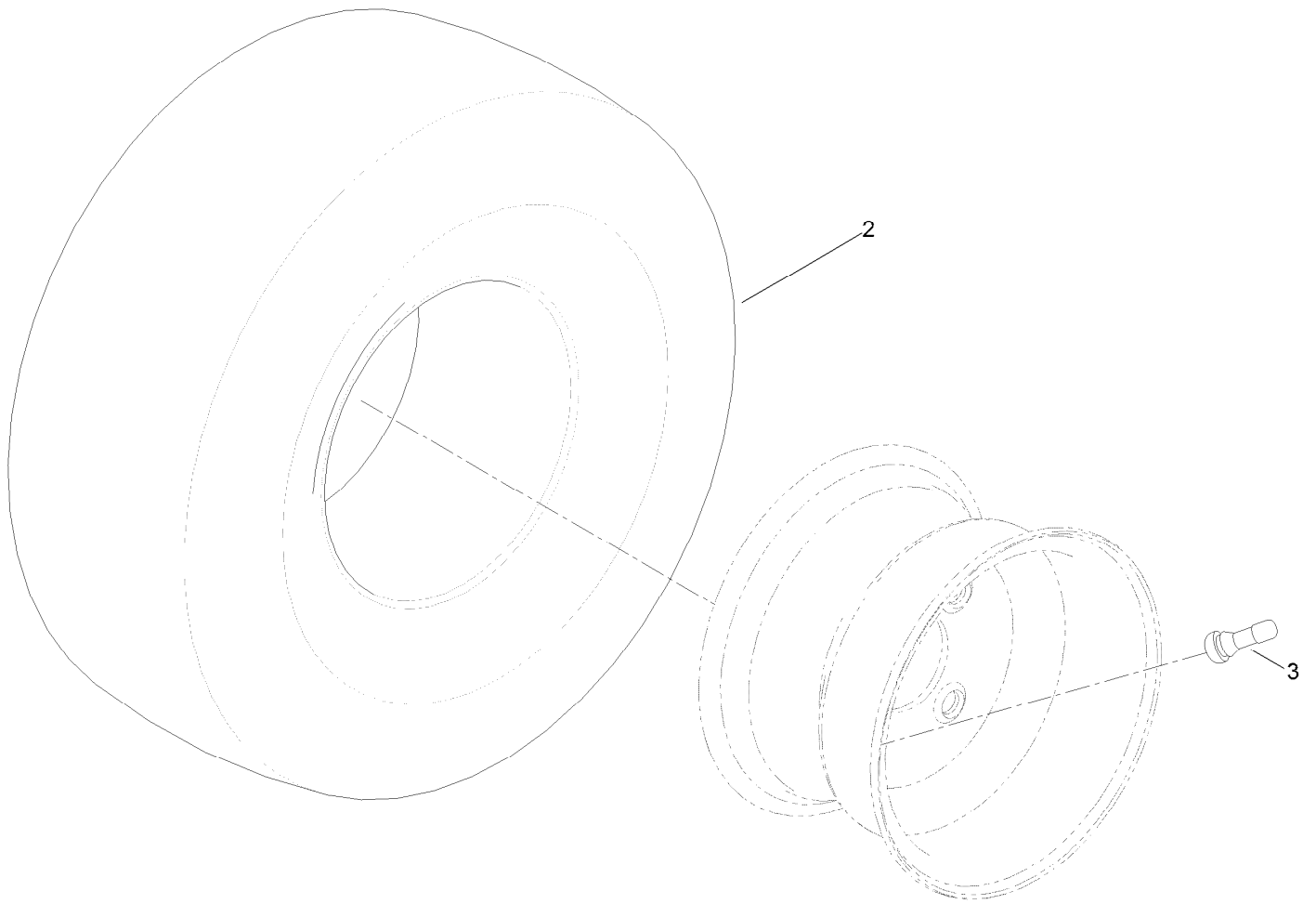
Hydro Transaxle Drive and Rear Wheel Assembly



Hydro Transaxle Drive and Rear Wheel Assembly (continued)

<i>Ref.</i>	<i>Part Number</i>	<i>Qty.</i>	<i>Description</i>	<i>Ref.</i>	<i>Part Number</i>	<i>Qty.</i>	<i>Description</i>
1	131-3641	1	RH Hydro Transmission ASM	20	324-10	4	Screw-HH
2	131-3640	1	LH Hydro Transmission ASM	21	119-3342-03	1	Plate-Cross, Hydro
4	322-11	4	Screw-HH	22	3234-29	4	Screw-HHF
5	322-13	4	Screw-HH	23	3290-307	2	Pin-Cotter
6	104-8300	12	Nut-Flange, NI	24	130-7049	1	Rod-Bypass, RH
16	131-3673	2	2 Ply Tire And Wheel ASM	26	3296-48	6	Nut-Lock, NI
17	242-50	8	Nut-Lug	27	3256-25	6	Washer-Flat
18	117-7264-03	2	Mount-Hydro	28	324-8	2	Screw-HH
19	131-0900	1	Rod-Bypass, LH	29	119-8952	2	Washer
				30	3256-23	6	Washer-Flat

2 Ply Wheel and Tire Assembly No. 131-3673

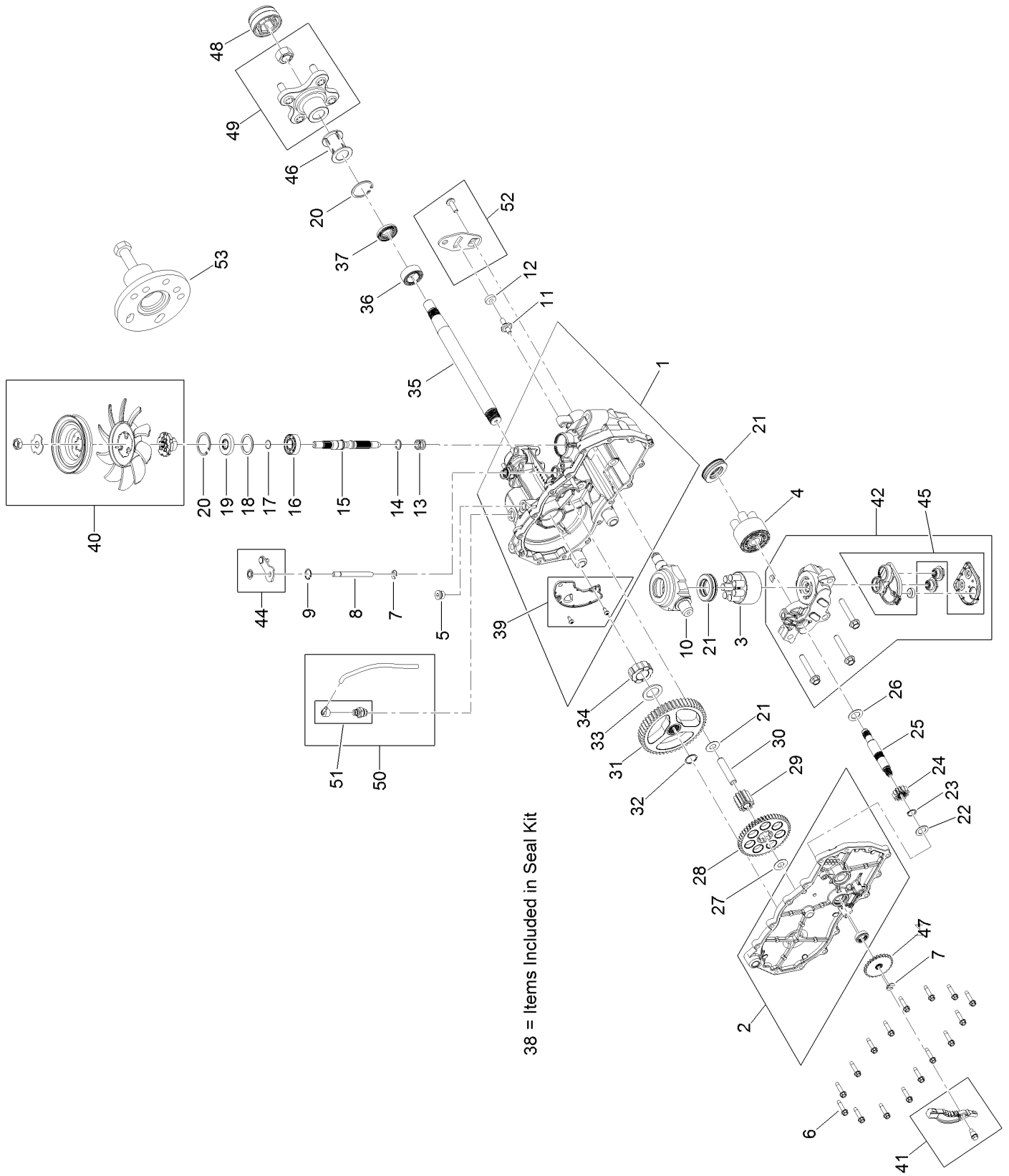


2 Ply Wheel and Tire Assembly No. 131-3673 (continued)

<i>Ref.</i>	<i>Part Number</i>	<i>Qty.</i>	<i>Description</i>
2	131-3680	1	Tire-2 Ply
3	232-27	1	Stem-Valve
4	93-3893	1	Tube-Inner ●

● Not illustrated

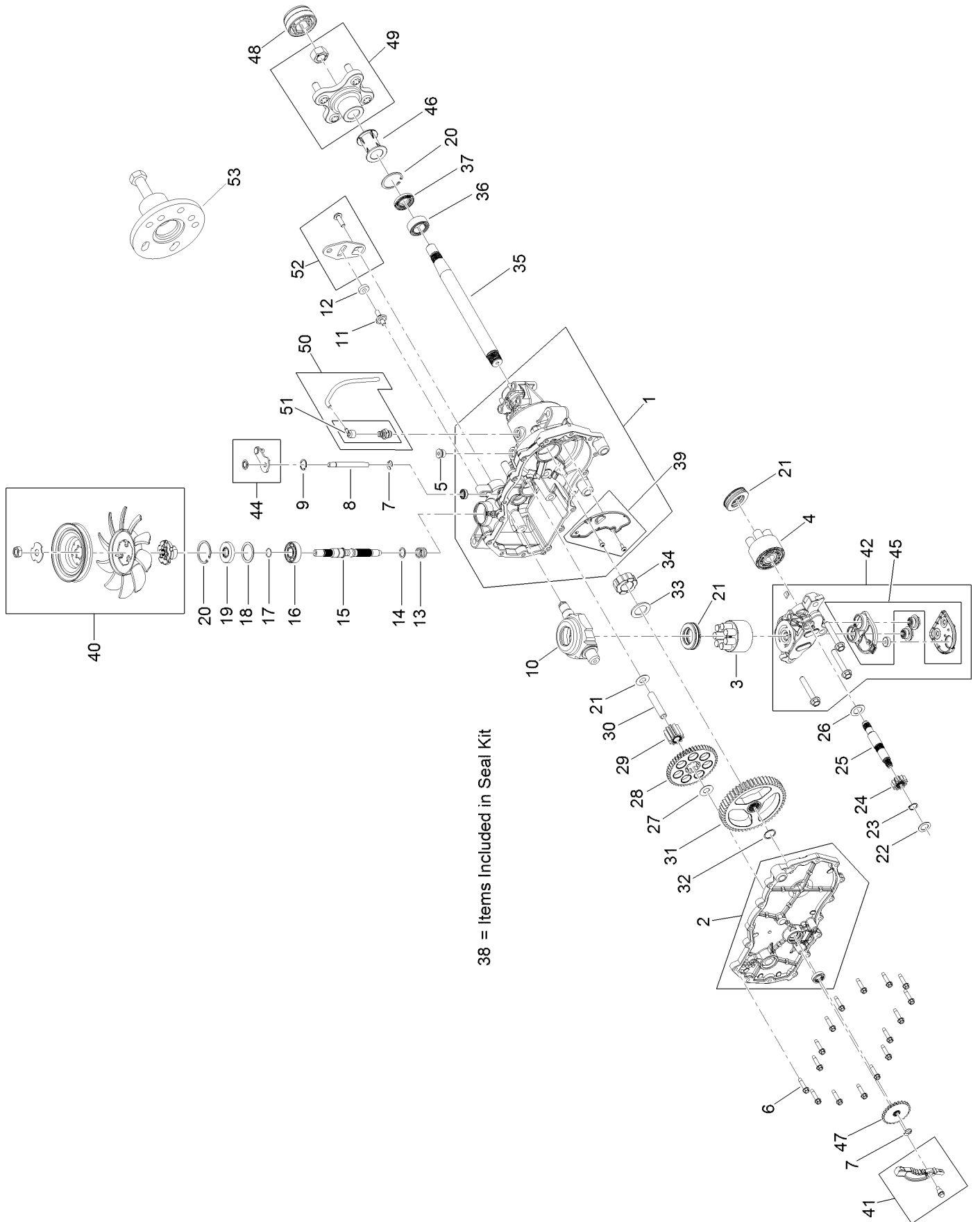
RH Transaxle Assembly No. 131-3641



RH Transaxle Assembly No. 131-3641 (continued)

<i>Ref.</i>	<i>Part Number</i>	<i>Qty.</i>	<i>Description</i>	<i>Ref.</i>	<i>Part Number</i>	<i>Qty.</i>	<i>Description</i>
1	106-8674	1	Main Housing ASM	27	94-1933	2	Washer
2	106-8675	1	Side ASM	28	132-0911	1	Gear-49T
3	110-8561	1	Pump Block ASM	29	104-5318	1	Gear-Jackshaft, 10T
4	103-2666	1	Cylinder Block Kit	30	104-5329	1	Pin-Jackshaft
5	104-2189	1	Plug-Thread, Straight	31	112-9854	1	Ring-Spiral, Retaining
6	117-5359	16	Screw-HHF	32	112-9855	1	Gear-52T, Bull
7	106-8677	2	Ring-Retaining, EXT	33	112-9856	1	Washer
8	106-8678	1	Rod-Bypass	34	112-9857	1	Bearing-Sleeve
9	106-8679	1	Ring-Retaining, Int	35	120-7104	1	Shaft-Axle
10	104-5304	1	Swashplate-Trunnion	36	112-9859	1	Bushing-Axle
11	104-2116	1	Stud	37	112-9860	1	Seal-Lip
12	112-9853	1	Puck-Friction	38	106-8686	1	Seal Kit
13	94-1936	1	Spring-Block	39	106-8687	1	Expansion Plate Kit
14	94-1937	1	Washer-Thrust	40	121-5746	1	Fan Pulley Kit
15	104-5306	1	Shaft-Input	41	106-8688	1	Brake Arm Kit
16	104-5311	1	Bearing-Ball	42	112-9862	1	Center Section Filter Kit
17	104-5307	1	Ring-Retaining	44	107-2489	1	Bypass Arm Kit
18	104-5308	1	Spacer	45	114-1634	1	Filter Kit
19	104-5310	1	Seal-Lip	46	120-7109	1	Tube-Axle
20	104-5309	2	Ring-Retaining	47	106-8694	1	Disc-Brake, Cog
21	94-6922	2	Bearing-Thrust	48	115-5057	1	Cover-Nut, Axle
22	104-5339	1	Washer-Flat	49	109-5939	1	Hub Kit
23	104-5340	1	Ring-Retaining	50	112-9866	1	Breather Kit
24	132-0912	1	Gear-12T	51	114-1635	1	Breather ASM
25	106-8683	1	Shaft-Motor	52	117-5362	1	Arm Control Kit
26	104-5360	1	Washer	53	114-8467	1	Hub-Puller, 4 Bolt

LH Transaxle Assembly No. 131-3640

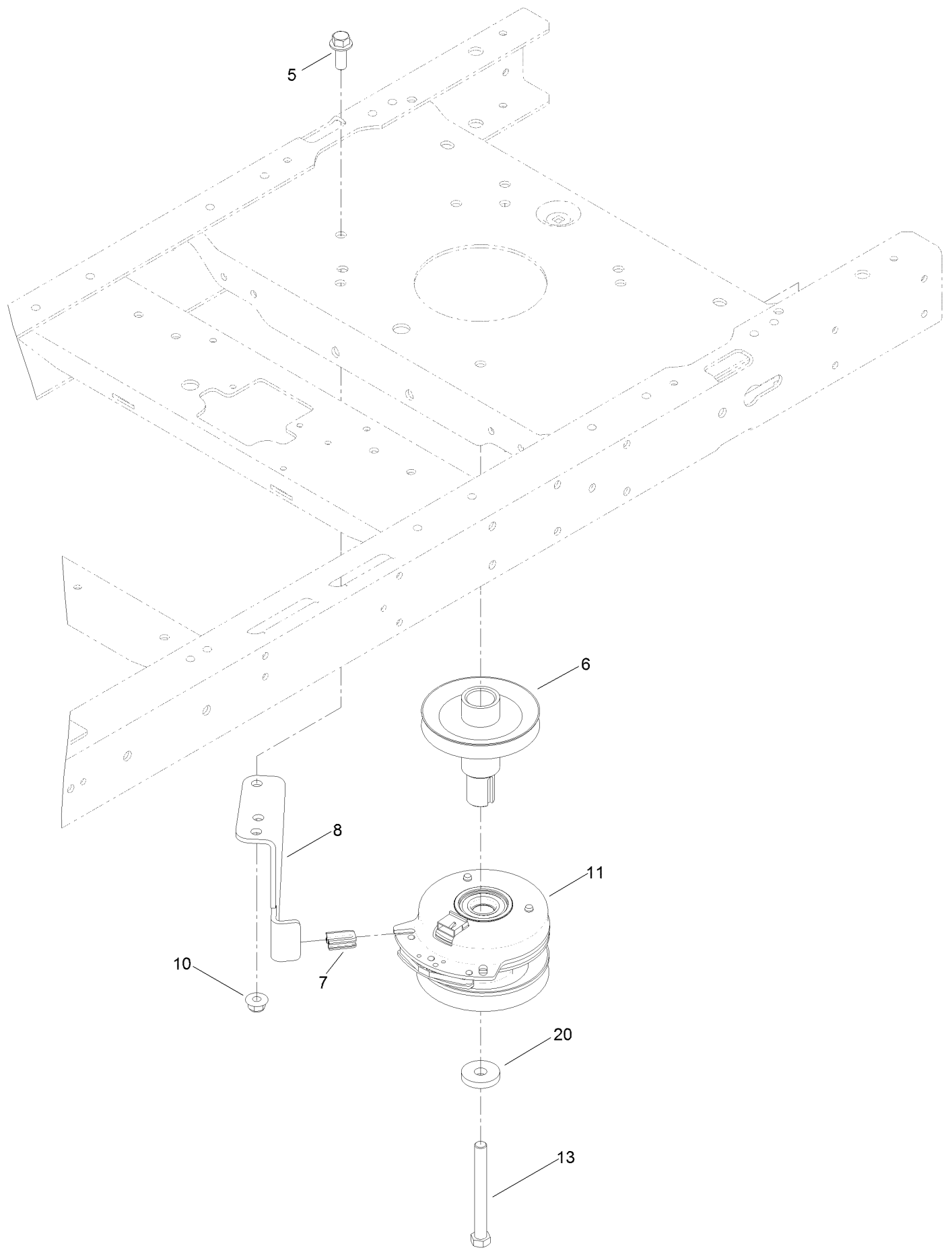


38 = Items Included in Seal Kit

LH Transaxle Assembly No. 131-3640 (continued)

<i>Ref.</i>	<i>Part Number</i>	<i>Qty.</i>	<i>Description</i>	<i>Ref.</i>	<i>Part Number</i>	<i>Qty.</i>	<i>Description</i>
1	106-8695	1	Main Housing ASM	27	94-1933	2	Washer
2	106-8696	1	Side ASM	28	132-0911	1	Gear-49T
3	110-8561	1	Pump Block ASM	29	104-5318	1	Gear-Jackshaft, 10T
4	103-2666	1	Cylinder Block Kit	30	104-5329	1	Pin-Jackshaft
5	104-2189	1	Plug-Thread, Straight	31	112-9854	1	Ring-Spiral, Retaining
6	117-5359	16	Screw-HHF	32	112-9855	1	Gear-52T, Bull
7	106-8677	2	Ring-Retaining, EXT	33	112-9856	1	Washer
8	106-8678	1	Rod-Bypass	34	112-9857	1	Bearing-Sleeve
9	106-8679	1	Ring-Retaining, Int	35	120-7104	1	Shaft-Axle
10	104-5304	1	Swashplate-Trunnion	36	112-9859	1	Bushing-Axle
11	104-2116	1	Stud	37	112-9860	1	Seal-Lip
12	112-9853	1	Puck-Friction	38	106-8686	1	Seal Kit
13	94-1936	1	Spring-Block	39	106-8697	1	Expansion Plate Kit
14	94-1937	1	Washer-Thrust	40	121-5746	1	Fan Pulley Kit
15	104-5306	1	Shaft-Input	41	106-8688	1	Brake Arm Kit
16	104-5311	1	Bearing-Ball	42	112-9861	1	Center Section Filter Kit
17	104-5307	1	Ring-Retaining	44	120-5549	1	Bypass Kit
18	104-5308	1	Spacer	45	114-1634	1	Filter Kit
19	104-5310	1	Seal-Lip	46	120-7109	1	Tube-Axle
20	104-5309	2	Ring-Retaining	47	106-8694	1	Disc-Brake, Cog
21	94-6922	2	Bearing-Thrust	48	115-5057	1	Cover-Nut, Axle
22	104-5339	1	Washer-Flat	49	109-5939	1	Hub Kit
23	104-5340	1	Ring-Retaining	50	112-9866	1	Breather Kit
24	132-0912	1	Gear-12T	51	114-1635	1	Breather ASM
25	106-8683	1	Shaft-Motor	52	117-5362	1	Arm Control Kit
26	104-5360	1	Washer	53	114-8467	1	Hub-Puller, 4 Bolt

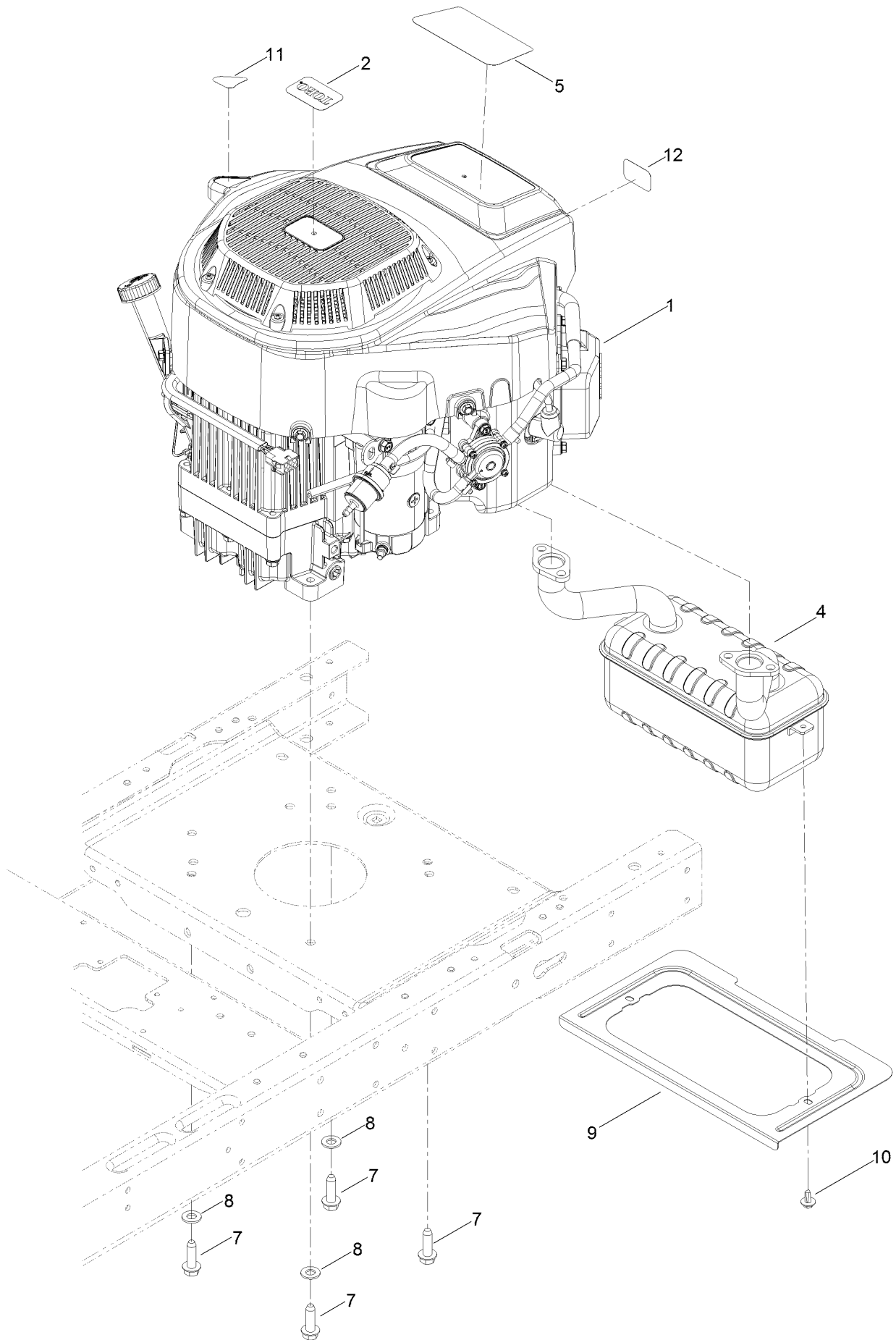
Clutch Assembly



Clutch Assembly (continued)

<i>Ref.</i>	<i>Part Number</i>	<i>Qty.</i>	<i>Description</i>	<i>Ref.</i>	<i>Part Number</i>	<i>Qty.</i>	<i>Description</i>
5	3234-42	1	Screw-HHF	10	104-8301	1	Nut-Flange, NI
6	130-6854	1	Pulley-Engine	11	127-3410	1	Clutch-PTO
7	120-2217	1	Isolator-Clutch	13	3212-19	1	Screw-HH
8	119-8885	1	Stop-Clutch	20	112843	1	Washer

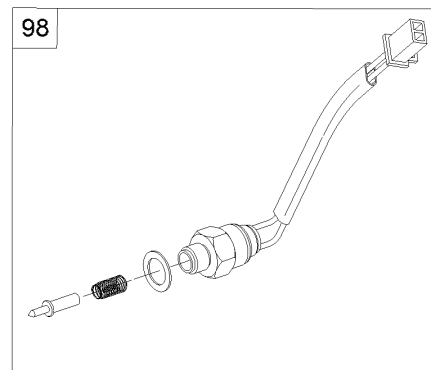
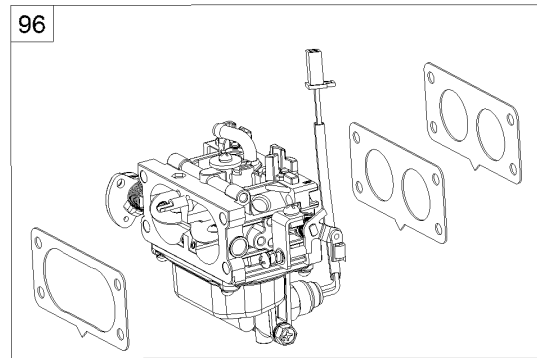
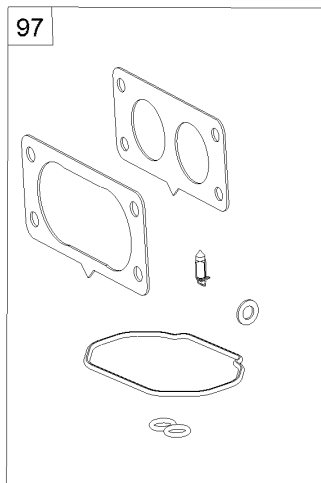
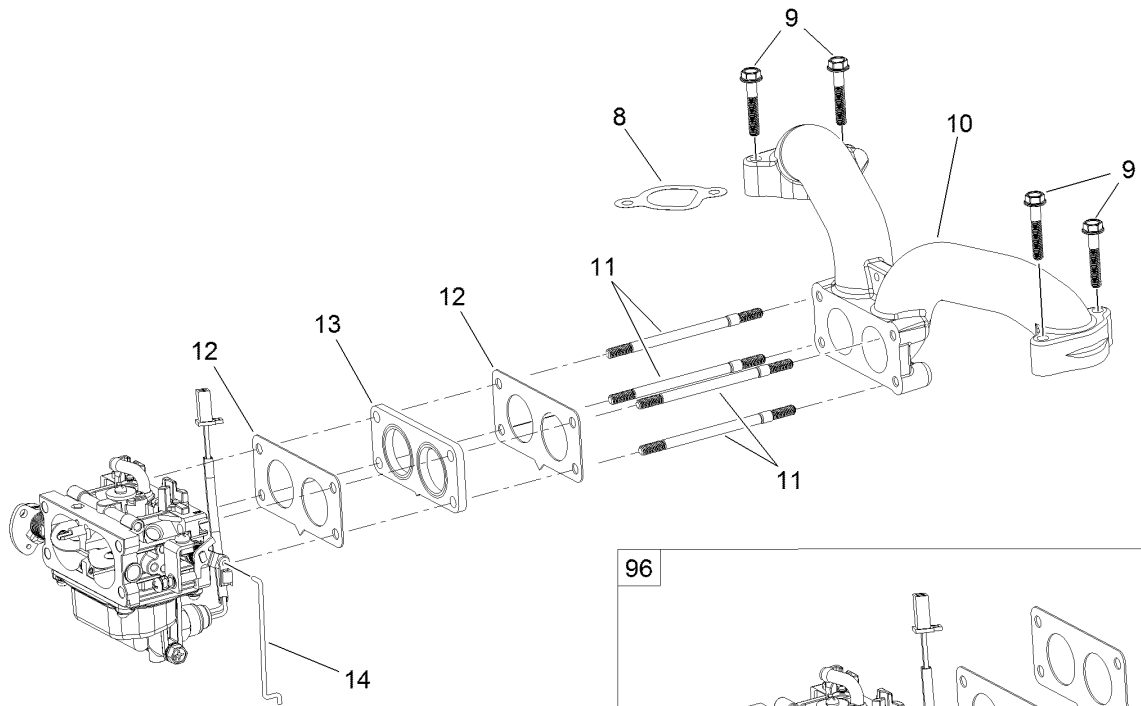
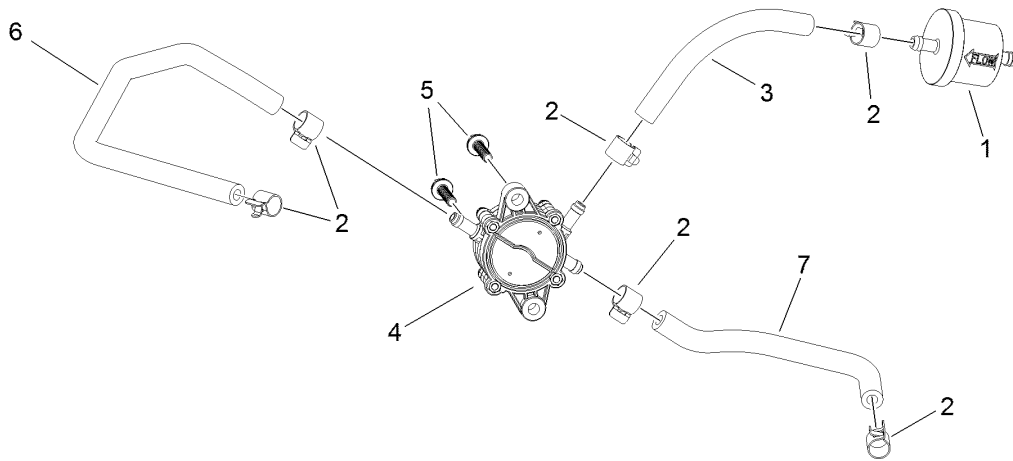
Engine and Muffler Assembly



Engine and Muffler Assembly (continued)

<i>Ref.</i>	<i>Part Number</i>	<i>Qty.</i>	<i>Description</i>	<i>Ref.</i>	<i>Part Number</i>	<i>Qty.</i>	<i>Description</i>
1	127-9041	1	Engine-Lc2P77F	8	3256-24	3	Washer-Flat
2	131-4157	1	Decal	9	131-1071-03	1	Shield-Heat
4	130-6851	1	Muffler	10	46-8560	2	Screw-HHFTF
5	132-0902	1	Decal-Engine	11	131-1097	1	Decal-Drain, Oil
7	32144-109	4	Screw-Taptite	12	127-9076	1	Placard

Fuel System Assembly Engine Assembly No. 127-9041



Fuel System Assembly

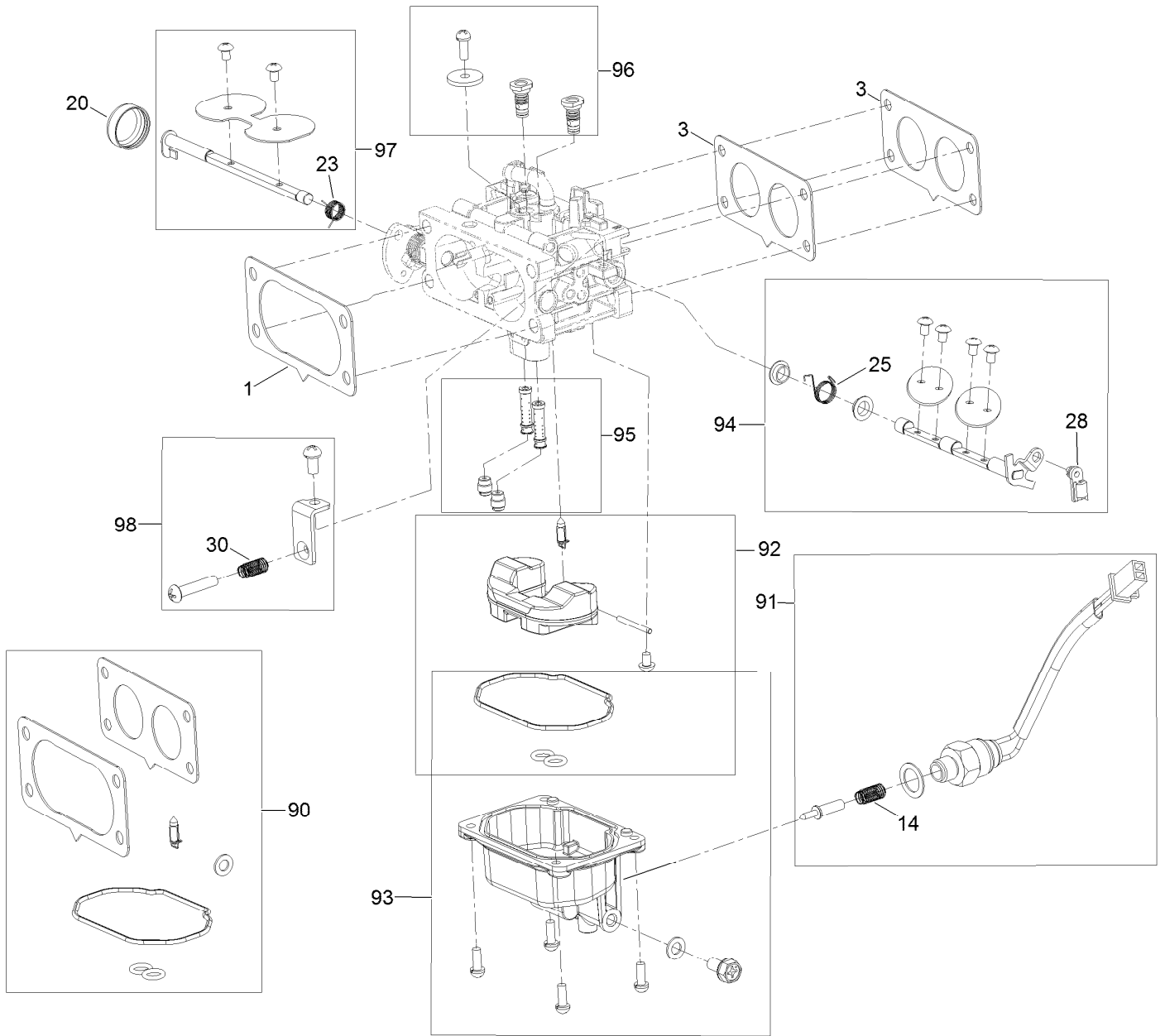
Engine Assembly No. 127-9041 (continued)

<i>Ref.</i>	<i>Part Number</i>	<i>Qty.</i>	<i>Description</i>	<i>Ref.</i>	<i>Part Number</i>	<i>Qty.</i>	<i>Description</i>
1	133-1563	1	Filter-Fuel	10	127-9244	1	Manifold-Intake
2	120-4251	6	Clamp-Fuel Line	11	127-9245	4	Stud
3	120-4371	1	Line-Fuel	12	127-9246	2	Gasket-Carburetor
4	127-9206	1	Pump-Fuel	13	127-9247	1	Insulator-Carburetor
5	120-4225	2	Screw-HHF	14	127-9248	1	Linkage-Throttle
6	127-9205	1	Hose-Fuel	96	127-9289	1	Carburetor Replacement Kit
7	127-9207	1	Hose-Fuel	97	127-9290	1	Carburetor Repair Kit
8	127-9230	2	Gasket-Intake	98	127-9292	1	Solenoid Kit
9	120-4284	4	Screw-HHF	99	127-9303	1	High Altitude Kit-Lc2P77 ●

● Not illustrated

Carburetor Assembly No. 127-9289

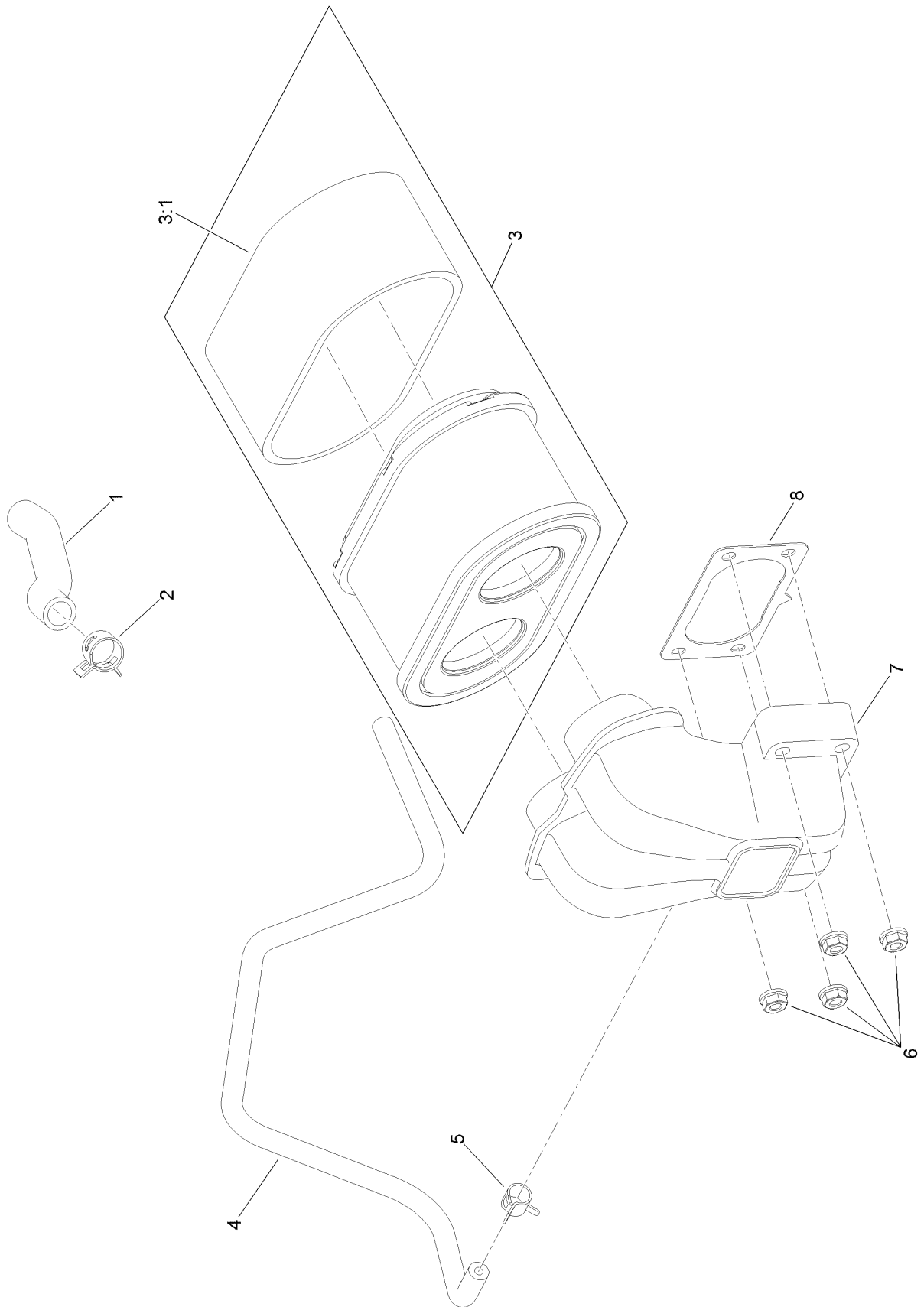
Engine Assembly 127-9041



Carburetor Assembly No. 127-9289 Engine Assembly 127-9041 (continued)

<i>Ref.</i>	<i>Part Number</i>	<i>Qty.</i>	<i>Description</i>	<i>Ref.</i>	<i>Part Number</i>	<i>Qty.</i>	<i>Description</i>
1	127-9249	1	Carburetor	90	127-9290	1	Carburetor Repair Kit
1	127-9251	1	Gasket-Carburetor	91	127-9292	1	Solenoid Kit
3	127-9246	2	Gasket-Carburetor	92	127-9340	1	Float Kit
14	127-9319	1	Spring	93	127-9341	1	Bowl Kit
20	127-9325	1	Cover, Choke Shaft	94	127-9342	1	Throttle Shaft Kit
23	127-9328	1	Spring	95	127-9343	1	Needle And Jet Kit
25	127-9330	1	Spring	96	127-9344	1	Air Jet Kit
28	127-9333	1	Lock Clamp	97	127-9345	1	Choke Shaft Kit
30	127-9335	1	Spring	98	127-9347	1	Idlestop Kit

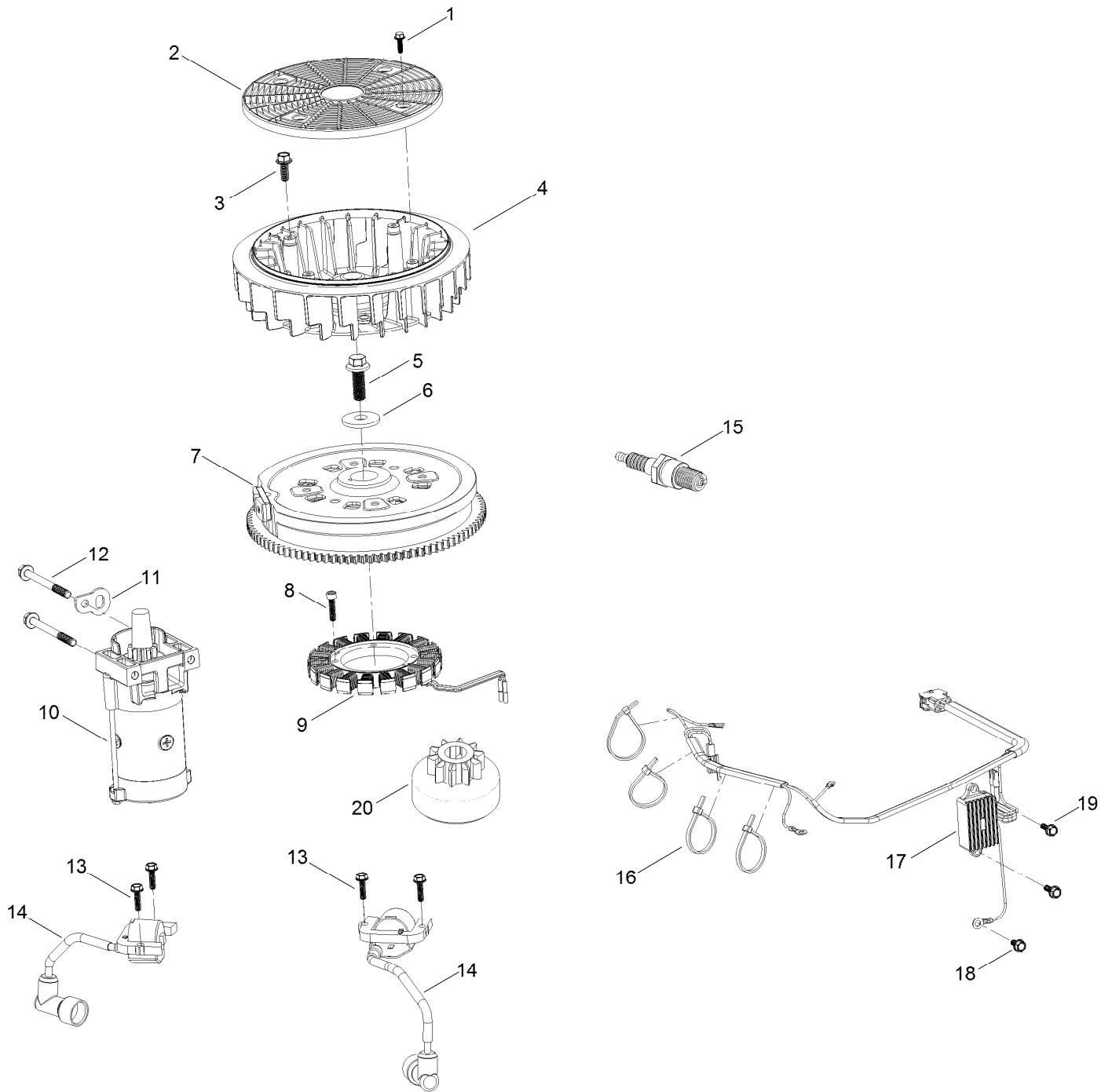
Air Intake and Filtration Assembly Engine Assembly No. 127-9041



Air Intake and Filtration Assembly Engine Assembly No. 127-9041 (continued)

<i>Ref.</i>	<i>Part Number</i>	<i>Qty.</i>	<i>Description</i>	<i>Ref.</i>	<i>Part Number</i>	<i>Qty.</i>	<i>Description</i>
1	127-9235	1	Tube-Breather	5	127-9187	1	Clamp-Hose
2	127-9234	2	Clamp-Hose	6	120-4236	4	Nut-Flange
3	127-9252	1	Filter-Air, Complete	7	127-9047	1	Manifold-Filter, Air
3:1	127-9288	1	Filter-Pre, Foam	8	127-9251	1	Gasket-Carburetor
4	127-9253	1	Hose-Fuel				

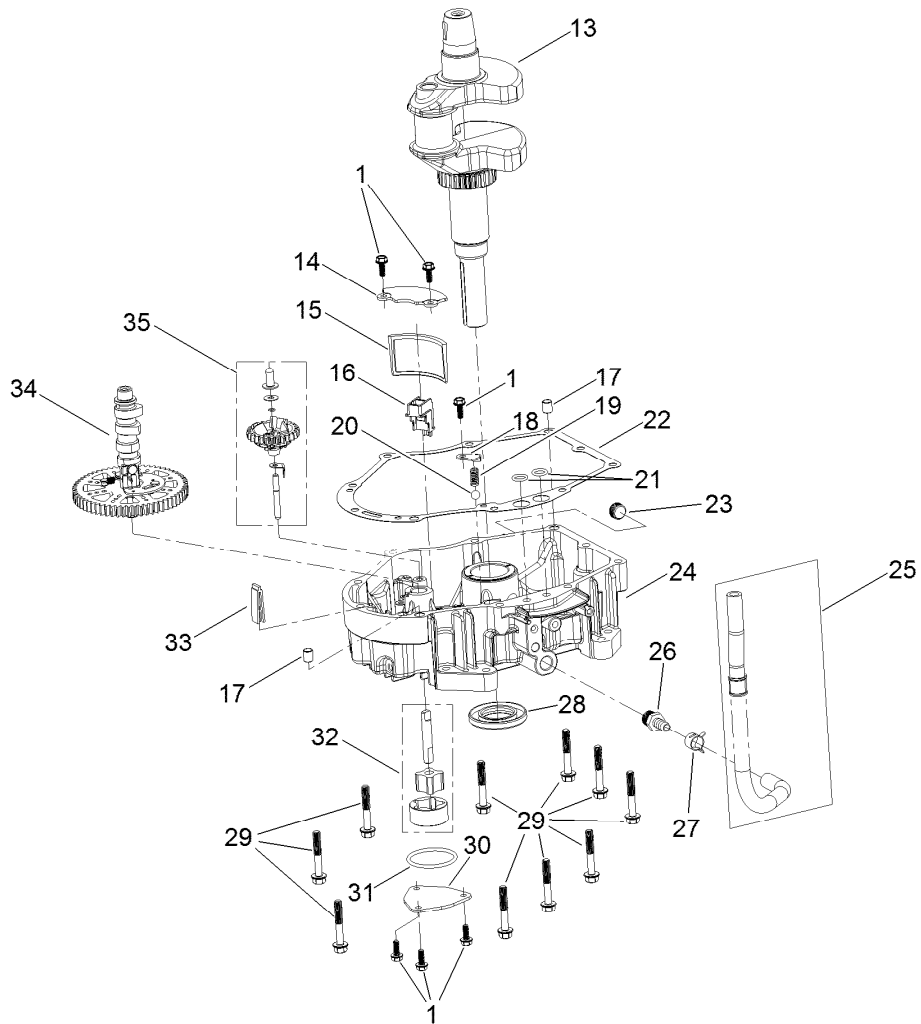
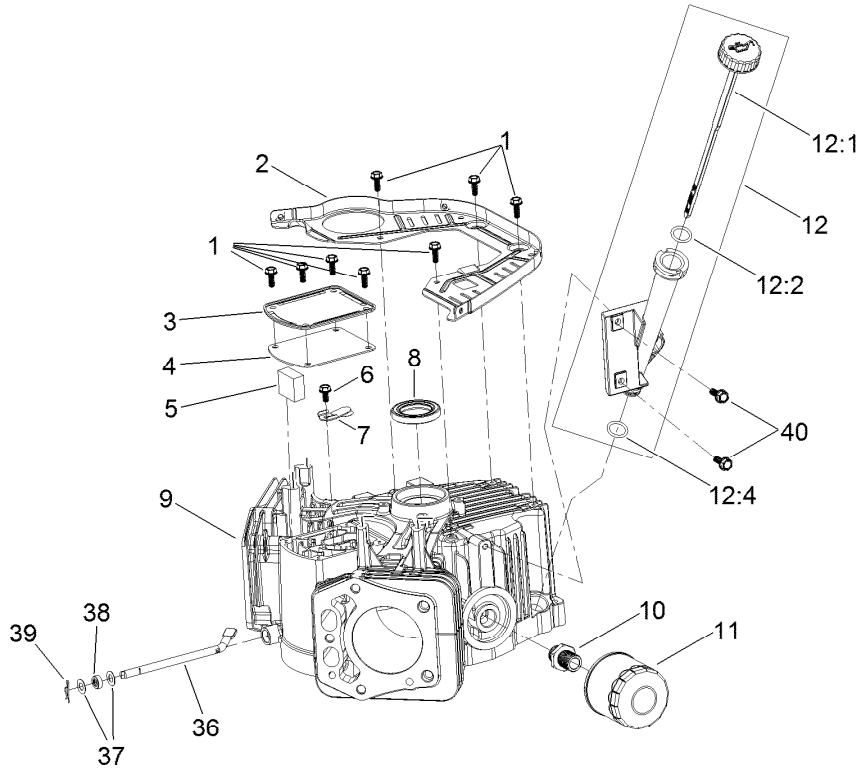
Ignition and Electrical Assembly Engine Assembly No. 127-9041



Ignition and Electrical Assembly Engine Assembly No. 127-9041 (continued)

<i>Ref.</i>	<i>Part Number</i>	<i>Qty.</i>	<i>Description</i>	<i>Ref.</i>	<i>Part Number</i>	<i>Qty.</i>	<i>Description</i>
1	127-9197	4	Screw-HWH	12	120-4231	2	Screw-HHF
2	127-9198	1	Screen-Rotating	13	121-0007	4	Bolt-Flange
3	127-9199	4	Screw-HWH	14	127-9216	2	Ignition Coil ASM
4	127-9200	1	Fan-Cooling	15	81-3250	2	Spark Plug
5	127-9201	1	Screw-HWH	16	127-9220	4	Tie-Zip
6	127-9202	1	Washer-Flat	17	127-9219	1	Regulator-Voltage W/Harness
7	127-9306	1	Flywheel	18	120-4216	1	Screw-HHF
8	127-9210	4	Screw-HSH	19	120-4232	2	Screw-HHF
9	127-9211	1	Alternator	20	133-1562	1	Pinion-Starter
10	133-1564	1	Motor-Starter				
11	127-9208	1	Bracket-Lift				

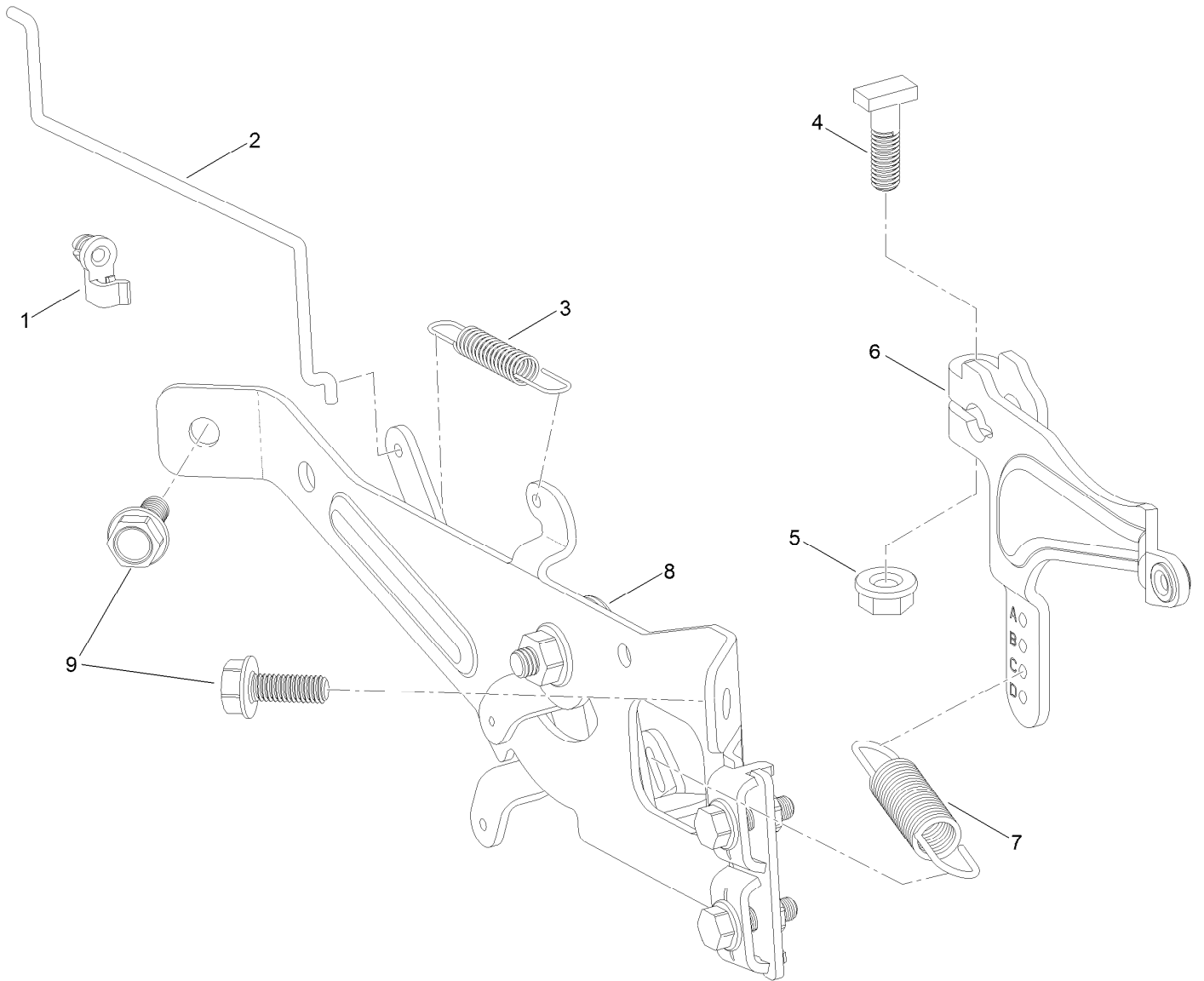
Crankcase and Crankshaft Assembly Engine Assembly No. 127-9041



Crankcase and Crankshaft Assembly Engine Assembly No. 127-9041 (continued)

<i>Ref.</i>	<i>Part Number</i>	<i>Qty.</i>	<i>Description</i>	<i>Ref.</i>	<i>Part Number</i>	<i>Qty.</i>	<i>Description</i>
1	120-4232	14	Screw-HHF	20	127-9266	1	Valve-Ball
2	127-9212	1	Baffle	21	120-4262	2	O-Ring
3	127-9213	1	Cover-Breather	22	127-9267	1	Gasket-Cover, Crankcase
4	127-9214	1	Gasket-Breather	23	120-4285	1	Plug-Drain
5	127-9215	1	Filter-Breather	24	127-9268	1	Cover-Crankcase
6	120-4216	1	Screw-HHF	25	127-9293	1	Oil Drain Hose ASM
7	127-9217	1	Valve-Breather	26	127-9275	1	Fitting-Hose
8	120-4267	1	Seal-Oil	27	127-9276	1	Clamp-Hose
9	127-9223	1	Crankcase	28	127-9271	1	Seal
10	127-9221	1	Fitting-Threaded, Oil Filter	29	121-0473	10	Screw-HHF
11	120-4276	1	Filter-Oil	30	127-9274	1	Cover-Oil Pump
12	127-9218	1	Oil Tube ASM	31	127-9273	1	O-Ring
12:1	127-9283	1	Dipstick	32	127-9272	1	Oil Pump ASM
12:2	127-9284	1	O-Ring	33	120-4275	1	Deflector-Oil, Rubber
12:4	127-9286	1	O-Ring	34	133-1568	1	Camshaft
13	127-9255	1	Crankshaft	35	133-1569	1	Governor ASM
14	127-9261	1	Cover-Screen, Oil	36	127-9238	1	Rod-Governor
15	127-9262	1	Screen-Oil	37	120-4258	2	Washer-Plain
16	127-9263	1	Retainer-Screen	38	120-4257	1	Seal-Oil
17	120-4274	2	Pin-Dowel	39	120-4256	1	Pin-Hair
18	127-9264	1	Plate-Retainer	40	120-4232	2	Screw-HHF
19	127-9265	1	Spring				

Governor Control Assembly Engine Assembly No. 127-9041



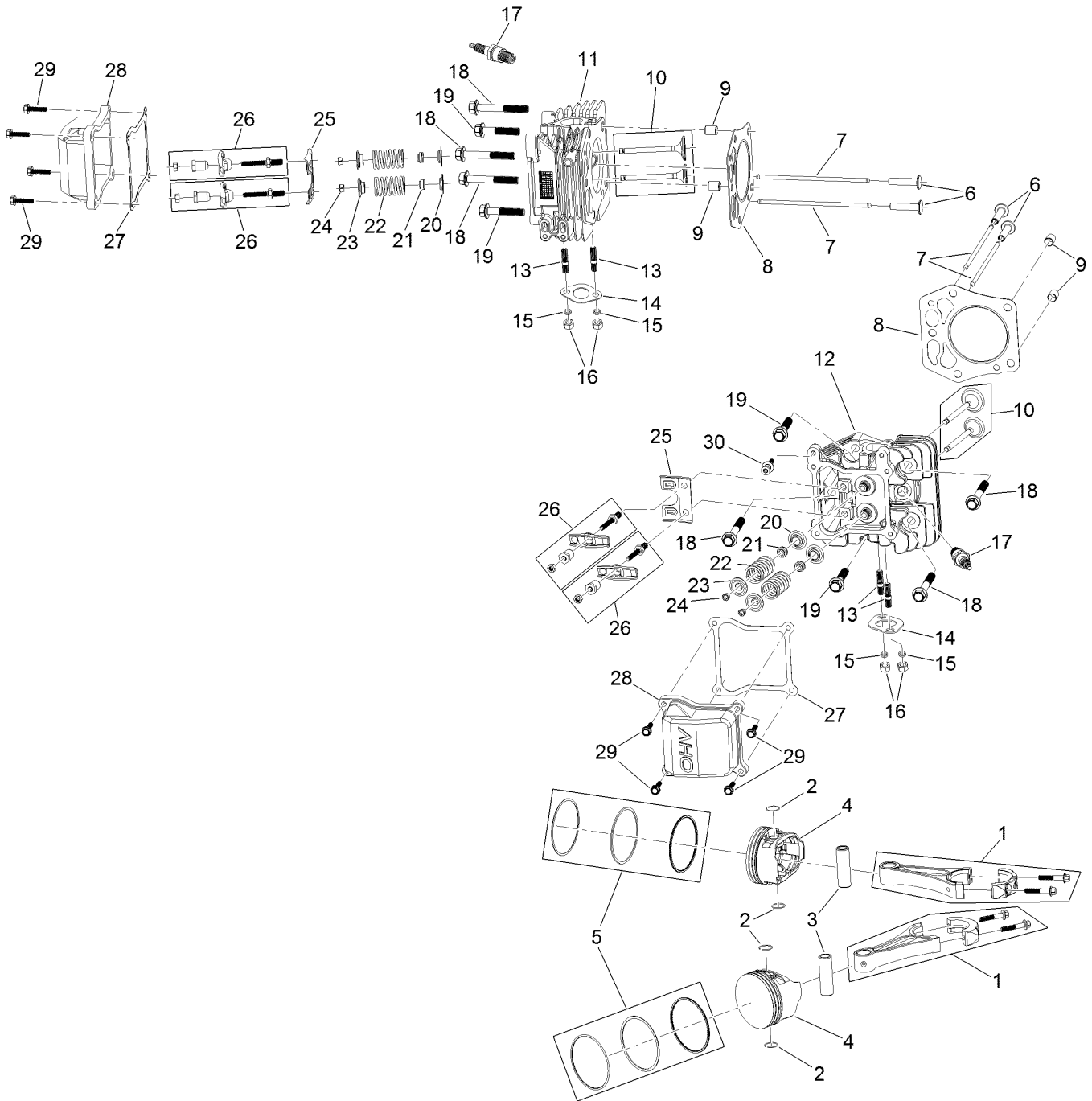
Governor Control Assembly Engine Assembly No. 127-9041 (continued)

<i>Ref.</i>	<i>Part Number</i>	<i>Qty.</i>	<i>Description</i>
1	127-9250	1	Clip-Linkage
2	127-9242	1	Linkage-Choke
3	127-9241	1	Spring-Governor
4	120-4238	1	Bolt-Arm, Governor
5	120-4236	1	Nut-Flange

<i>Ref.</i>	<i>Part Number</i>	<i>Qty.</i>	<i>Description</i>
6	127-9239	1	Arm-Governor
7	127-9240	1	Spring-Governor
8	133-1570	1	Control Plate ASM
9	120-4232	2	Screw-HHF

Piston and Cylinder Head Assembly

Engine Assembly No. 127-9041

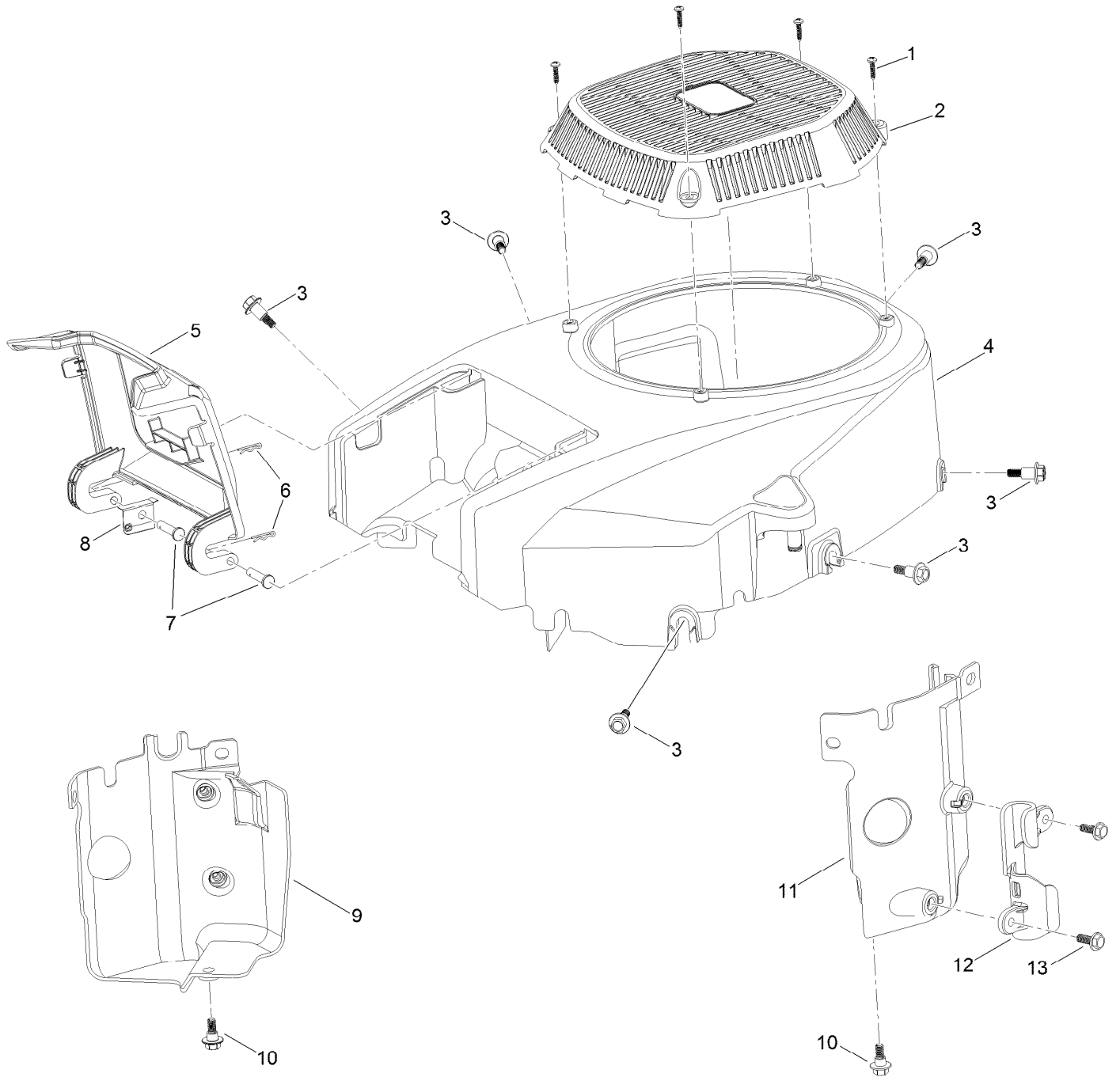


Piston and Cylinder Head Assembly

Engine Assembly No. 127-9041 (continued)

<i>Ref.</i>	<i>Part Number</i>	<i>Qty.</i>	<i>Description</i>	<i>Ref.</i>	<i>Part Number</i>	<i>Qty.</i>	<i>Description</i>
1	127-9256	2	Connecting Rod ASM	16	121-0199	4	Nut-HH
2	127-9258	4	Clip-Piston Pin	17	81-3250	2	Spark Plug
3	127-9257	2	Pin-Piston	18	127-9231	6	Screw-HWH
4	127-9259	2	Piston	19	127-9232	4	Screw-HWH
5	127-9260	2	Ring Set-Piston	20	120-4303	4	Seat-Spring, Valve
6	127-9224	4	Lifter-Valve	21	120-4304	4	Seal-Stem, Valve
7	127-9225	4	Rod-Push	22	120-4305	4	Spring-Valve
8	127-9226	2	Gasket-Cylinder Head	23	120-4306	4	Retainer-Spring, Valve
9	127-9227	4	Pin-Dowel	24	120-4307	4	Keeper-Valve
10	127-9228	2	Valve Set	25	127-9233	2	Plate-Push Rod, Guide
11	127-9229	1	Head-Cylinder	26	127-9294	4	Rocker Arm ASM
12	127-9254	1	Head-Cylinder	27	127-9295	2	Gasket-Valve Cover
13	127-9236	4	Stud	28	127-9050	2	Cover-Valve
14	120-4317	2	Gasket-Exhaust	29	120-4225	8	Screw-HHF
15	127-9279	4	Washer-Lock, Split	30	120-4214	1	Screw-Shoulder, HH

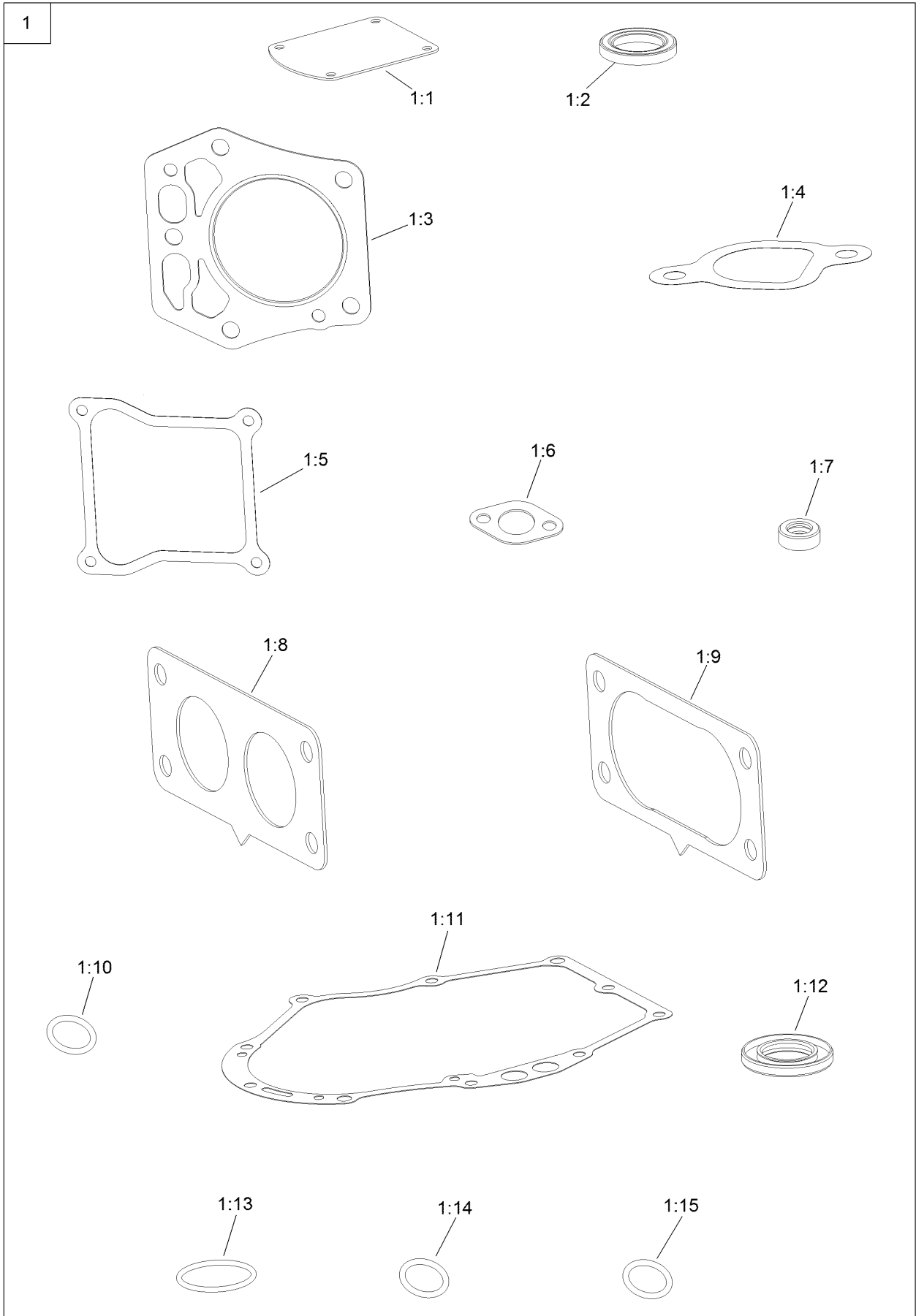
Blower Housing Assembly Engine Assembly No. 127-9041



Blower Housing Assembly Engine Assembly No. 127-9041 (continued)

<i>Ref.</i>	<i>Part Number</i>	<i>Qty.</i>	<i>Description</i>	<i>Ref.</i>	<i>Part Number</i>	<i>Qty.</i>	<i>Description</i>
1	133-1571	4	Screw-PPH, Plastic	8	127-9281	1	Plate-Spring
2	127-9045	1	Cover-Fan	9	127-9049	1	Baffle-Air, Left
3	127-9196	6	Screw-Shoulder, HWH	10	120-4210	2	Screw-Shoulder, HHF
4	133-1572	1	Shroud-Engine	11	127-9048	1	Baffle-Air, Right
5	127-9046	1	Door-Filter, Air	12	127-9287	1	Cleat-Hose
6	127-9280	2	Pin-Hair	13	120-4232	2	Screw-HHF
7	127-9282	2	Pin				

Gasket and Seal Kit Engine Assembly No. 127-9041

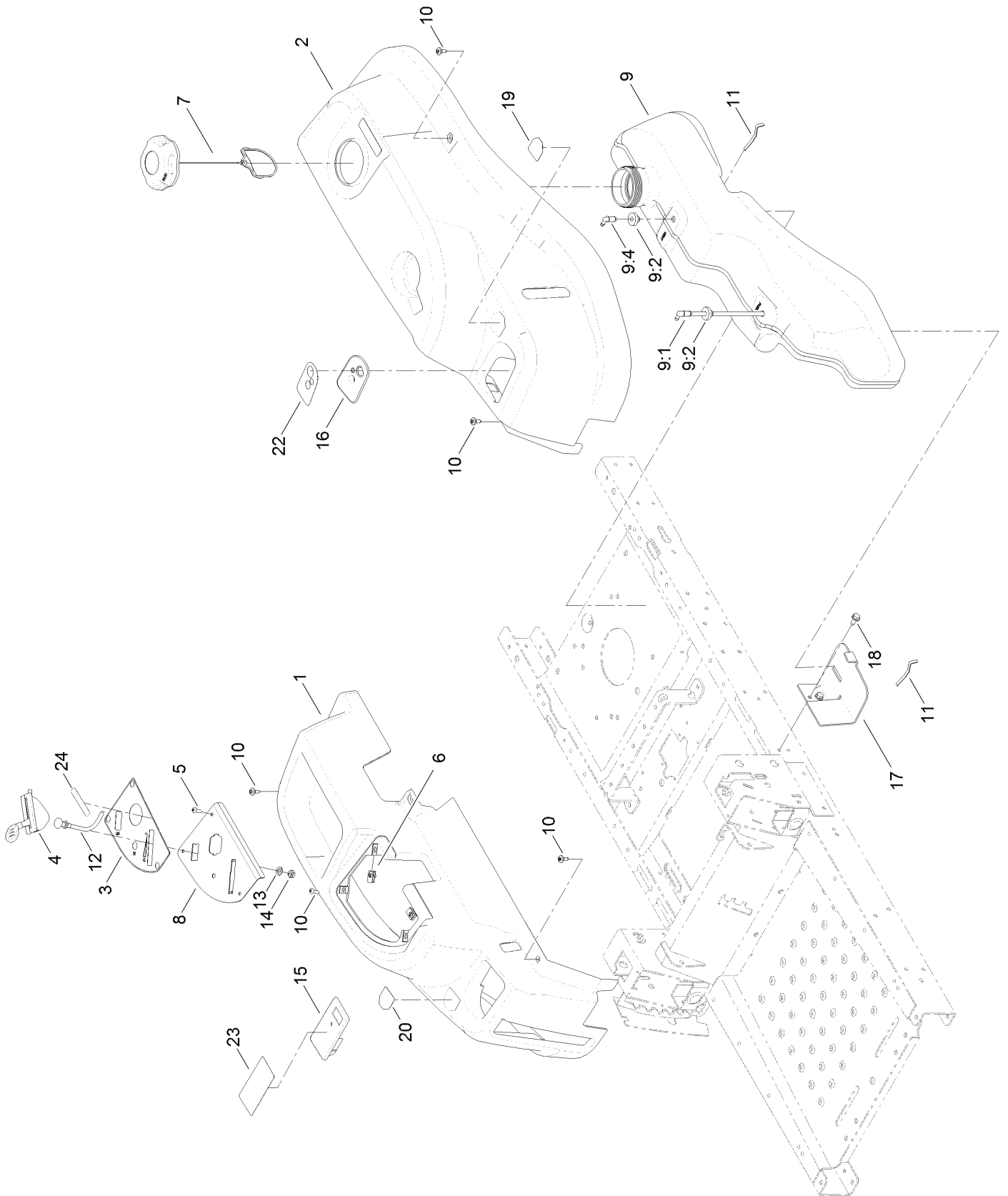


Gasket and Seal Kit

Engine Assembly No. 127-9041 (continued)

<i>Ref.</i>	<i>Part Number</i>	<i>Qty.</i>	<i>Description</i>	<i>Ref.</i>	<i>Part Number</i>	<i>Qty.</i>	<i>Description</i>
1	127-9296	1	Gasket And Seal Kit	1:8	127-9246	2	Gasket-Carburetor
1:1	127-9214	1	Gasket-Breather	1:9	127-9251	1	Gasket-Carburetor
1:2	120-4267	1	Seal-Oil	1:10	120-4262	2	O-Ring
1:3	127-9226	2	Gasket-Cylinder Head	1:11	127-9267	1	Gasket-Cover, Crankcase
1:4	127-9230	2	Gasket-Intake	1:12	127-9271	1	Seal
1:5	127-9295	2	Gasket-Valve Cover	1:13	127-9273	1	O-Ring
1:6	120-4317	2	Gasket-Exhaust	1:14	127-9284	1	O-Ring
1:7	120-4257	1	Seal-Oil	1:15	127-9286	1	O-Ring

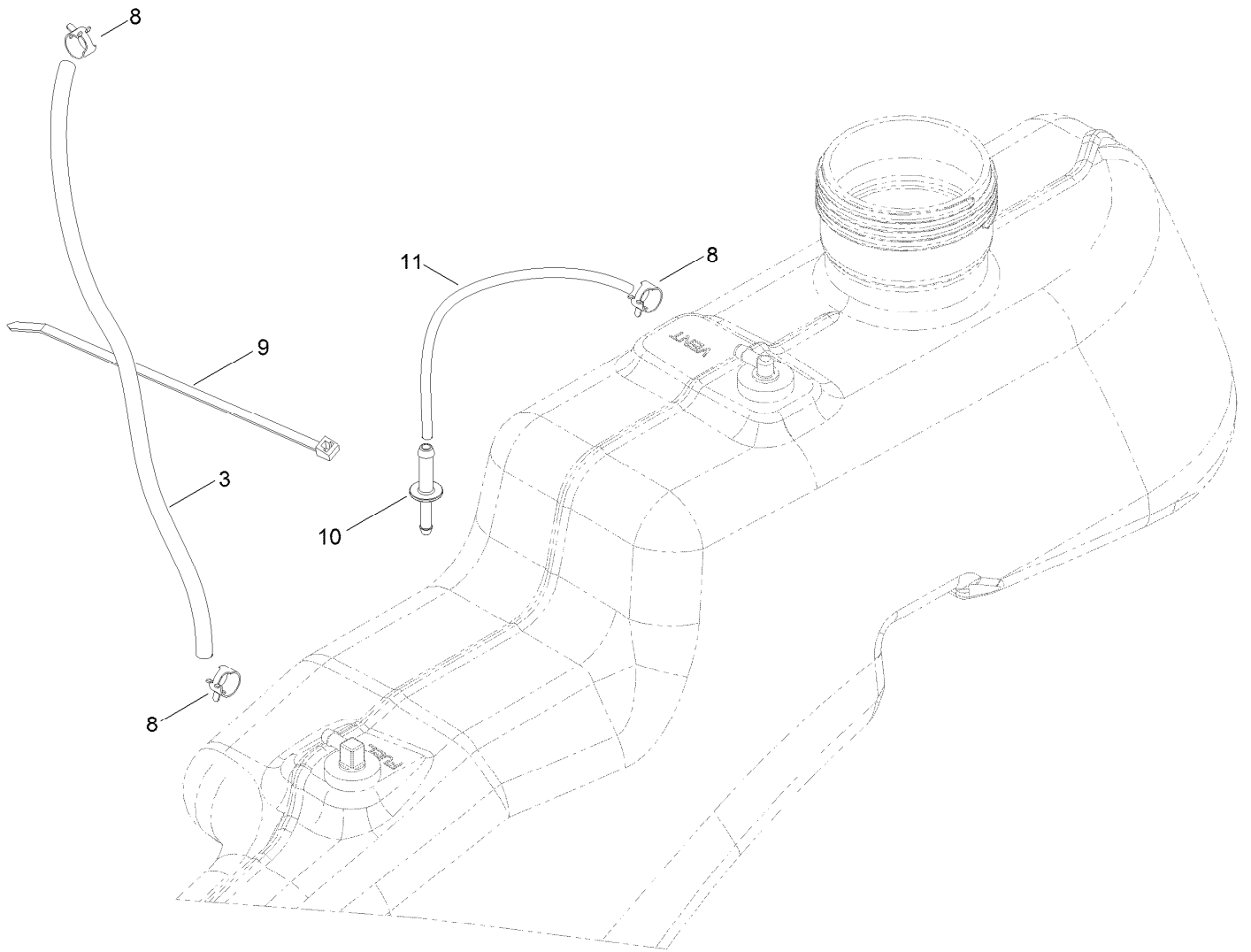
Body Styling and Fuel Tank Assembly



Body Styling and Fuel Tank Assembly (continued)

<i>Ref.</i>	<i>Part Number</i>	<i>Qty.</i>	<i>Description</i>	<i>Ref.</i>	<i>Part Number</i>	<i>Qty.</i>	<i>Description</i>
1	119-3338	1	Pod-RH	11	609830	2	Spring
2	119-3337	1	Pod-LH	12	112-9753	1	Cable-Choke
3	121-0773	1	Decal-Panel, Control	13	3253-21	1	Washer-Lock
4	121-0769	1	Cable-Throttle	14	3220-3	1	Nut-HJ
5	3258-166	3	Screw-PRH	15	130-7039	1	Cover-RH
6	107069	3	Clip	16	130-7040	1	Cover-LH
7	120-5461	1	Cap-Fuel, Ratcheting	17	119-3395-03	1	Support-Tank, Front
8	119-3377-03	1	Plate-Control	18	32144-70	2	Screw-HWHTF
9	119-3324	1	Fuel Tank ASM	19	131-3621	1	Decal-Nmir
9:1	121-0793	1	Connector-Elbow, 90 DEG	20	131-3620	1	Decal-Control, Pedal
9:2	46-6560	2	Bushing	22	131-3664	1	Decal-Keychoice
9:4	117-7400	1	Fitting-Plastic	23	131-3954	1	Decal-Brake, Parking
10	120-7950	8	Screw-Shoulder	24	132-0904	1	Decal-Shutdown

Fuel Delivery Assembly



Fuel Delivery Assembly (continued)

<i>Ref.</i>	<i>Part Number</i>	<i>Qty.</i>	<i>Description</i>	<i>Ref.</i>	<i>Part Number</i>	<i>Qty.</i>	<i>Description</i>
3	109-0281	1	Hose-Fuel	10	117-5399	1	Adaptor-Orifice
8	2412-98	3	Clamp-Hose	11	110-1876	1	Hose-Fuel
9	614249	1	Tie-Cable				

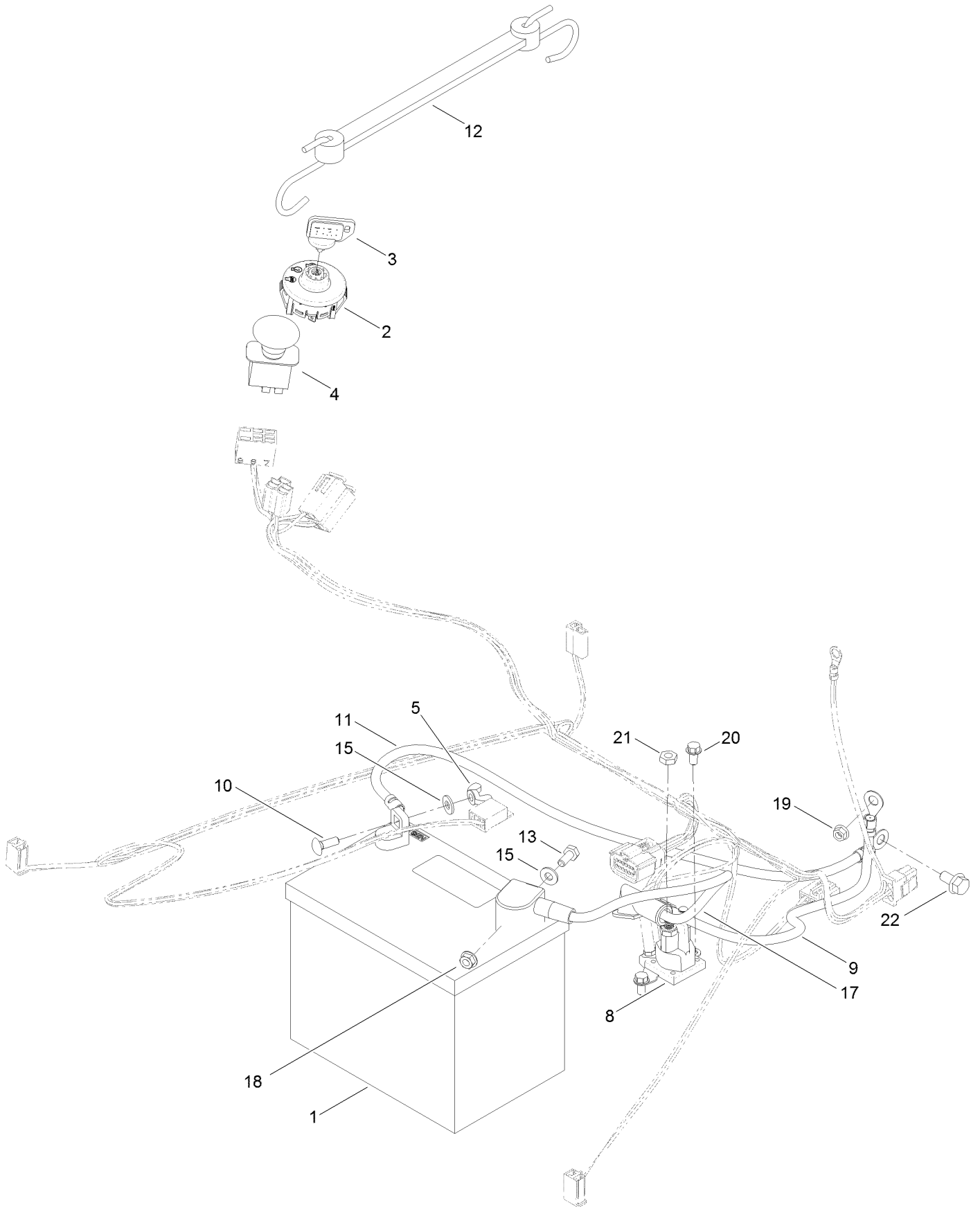
Wire Harness Assembly



Wire Harness Assembly (continued)

<i>Ref.</i>	<i>Part Number</i>	<i>Qty.</i>	<i>Description</i>	<i>Ref.</i>	<i>Part Number</i>	<i>Qty.</i>	<i>Description</i>
1	131-3639	1	Key-Toro	3	130-6874	1	Switch-Rocker, (On)-Off-(On)
2	132-9361	1	Harness-Wire	4	119-3068	1	Switch-Momentary, N.O.
2:1	109103	1	Fuse-Blade, 30 Amp	5	131-4136	1	Light-Indicator
2:2	109102	1	Fuse-Blade, 25 Amp				

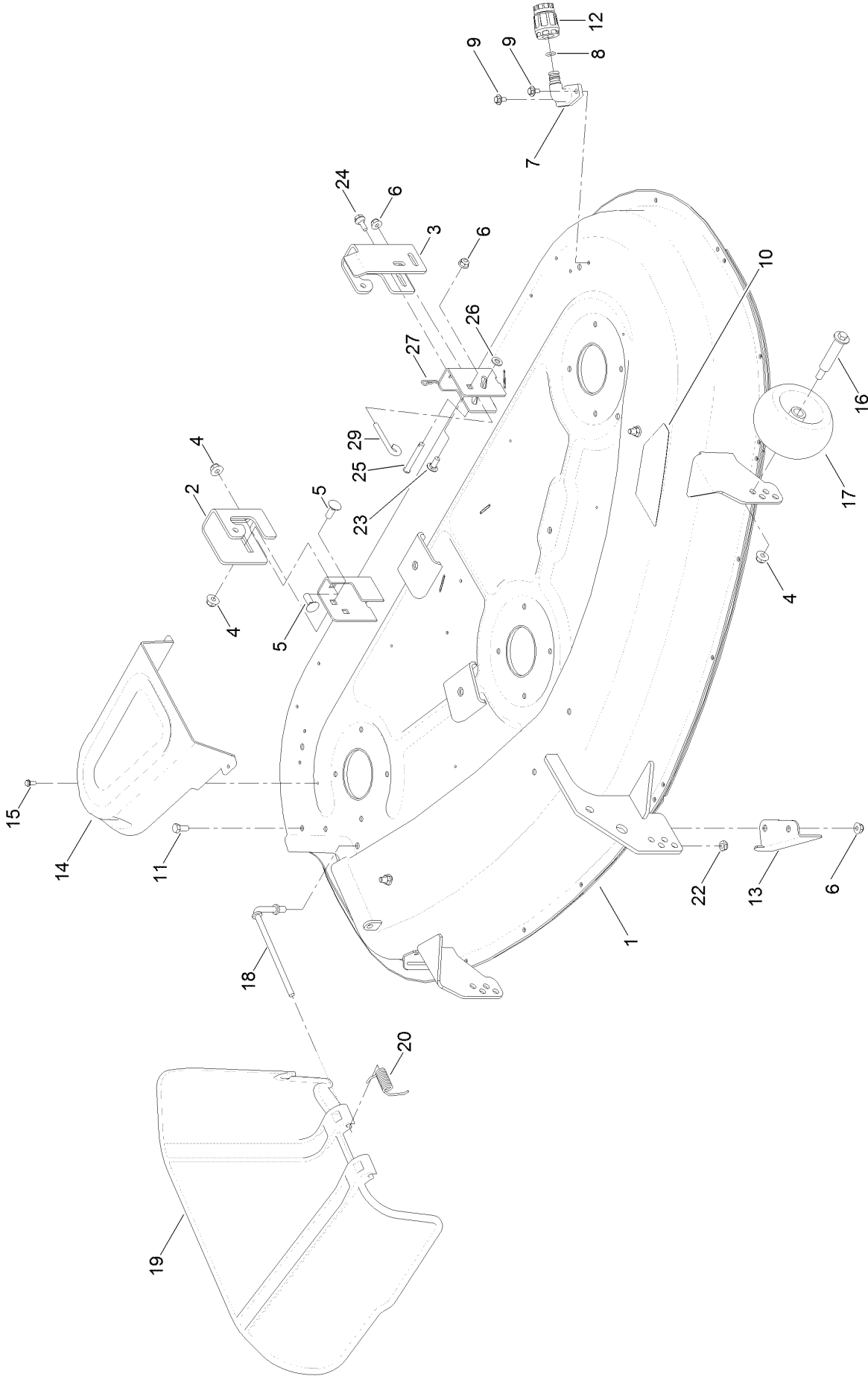
Battery and Electrical Assembly



Battery and Electrical Assembly (continued)

<i>Ref.</i>	<i>Part Number</i>	<i>Qty.</i>	<i>Description</i>	<i>Ref.</i>	<i>Part Number</i>	<i>Qty.</i>	<i>Description</i>
1	105-1692	1	Battery-Dry	12	104-2466	1	Holddown-Battery
2	117-2221	1	Switch-Ignition	13	321-3	1	Screw-HH
3	63-8360	1	Key-Ignition	15	3256-22	2	Washer-Flat
4	114-0279	1	Switch-PTO	17	119-8897	1	Cable-Battery, Red
5	32103-22	1	Nut-Wing	18	32128-33	1	Nut-HF
8	117-1197	1	Solenoid	19	33003-00	1	Nut-HF
9	121-0711	1	Cable-Battery, Positive	20	32144-4	2	Screw-HWH
10	3229-1	1	Bolt-CARR	21	3220-2	2	Nut-Jam
11	119-8899	1	Cable-Battery, Black	22	3234-14	1	Screw-HHF

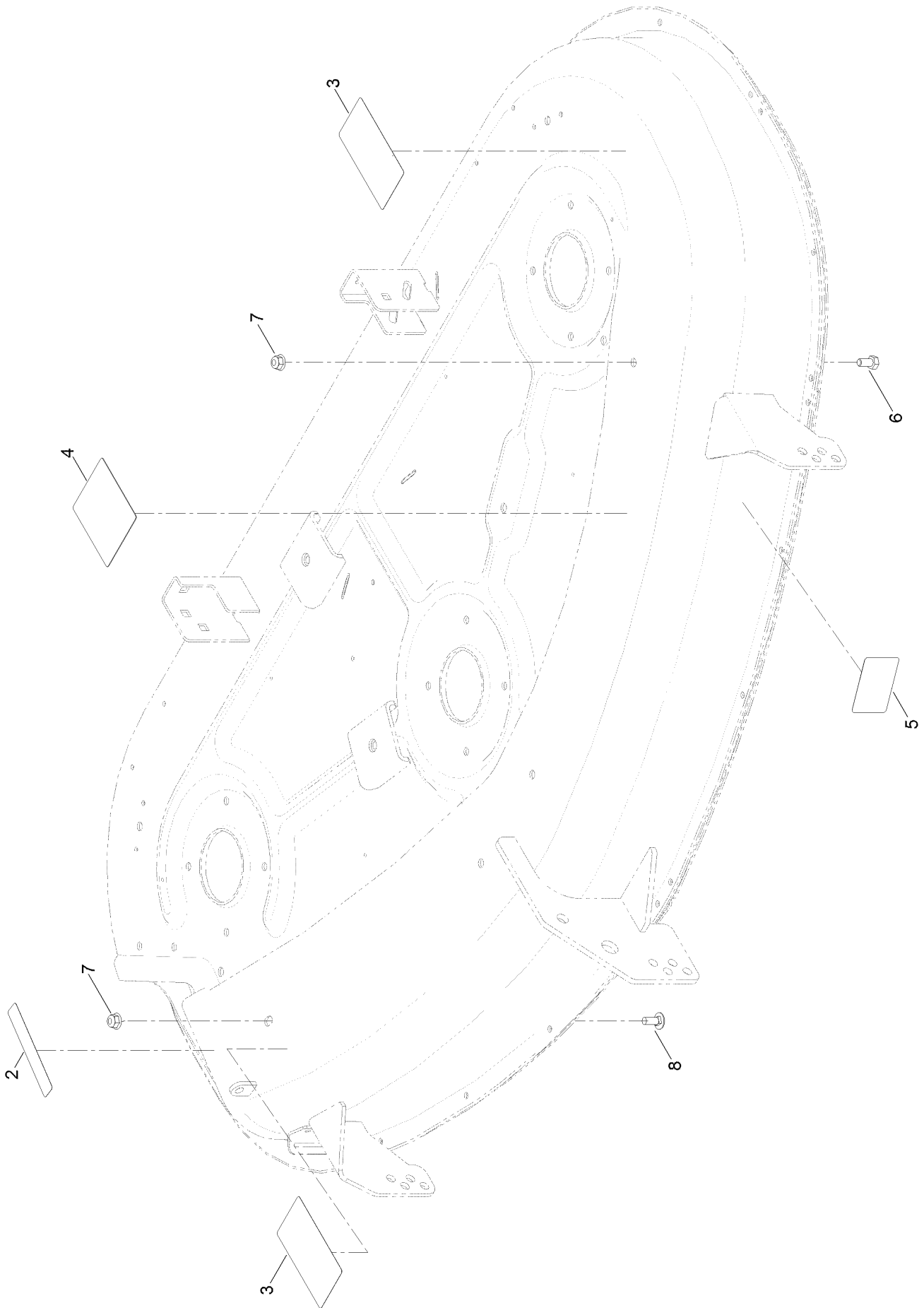
54 Inch Deck Assembly



54 Inch Deck Assembly (continued)

<i>Ref.</i>	<i>Part Number</i>	<i>Qty.</i>	<i>Description</i>	<i>Ref.</i>	<i>Part Number</i>	<i>Qty.</i>	<i>Description</i>
1	130-7004	1	54 Inch Deck ASM	15	32144-1	6	Screw-Taptite
2	131-4138	1	Bracket-Hanger, RH	16	112-3977	3	Bolt-Shoulder
3	131-3935	1	Bracket-Hanger, LH	17	1-603299	3	Roller-Scalp, Anti
4	104-8301	5	Nut-Flange, NI	18	112-3950	1	Rod-Pivot
5	3231-2	2	Bolt-CARR	19	108-7895	1	Deflector
6	104-8300	4	Nut-Flange, NI	20	110-6694	1	Spring-Torsion
7	95-2747	2	Fitting-Washout	22	3296-59	1	Nut-Lock, NI
8	46-6290	2	O-Ring	23	3230-23	1	Screw-CARR
9	46-8560	4	Screw-HHFTF	24	120-7024	1	Screw-Shoulder, HHF
10	131-0961	1	Decal-Deck	25	110-0618	1	Pin-Clevis
11	322-3	2	Screw-HH	26	3256-23	1	Washer-Flat
12	95-3270	1	Connector-Hose	27	1-806003	1	Pin-Cotter
13	112-3983-03	1	Baffle-Cutoff	29	131-0955	1	Rod-Level, Deck
14	108-7890	2	Cover-Belt				

54 Inch Deck Decal Assembly No. 130-7004

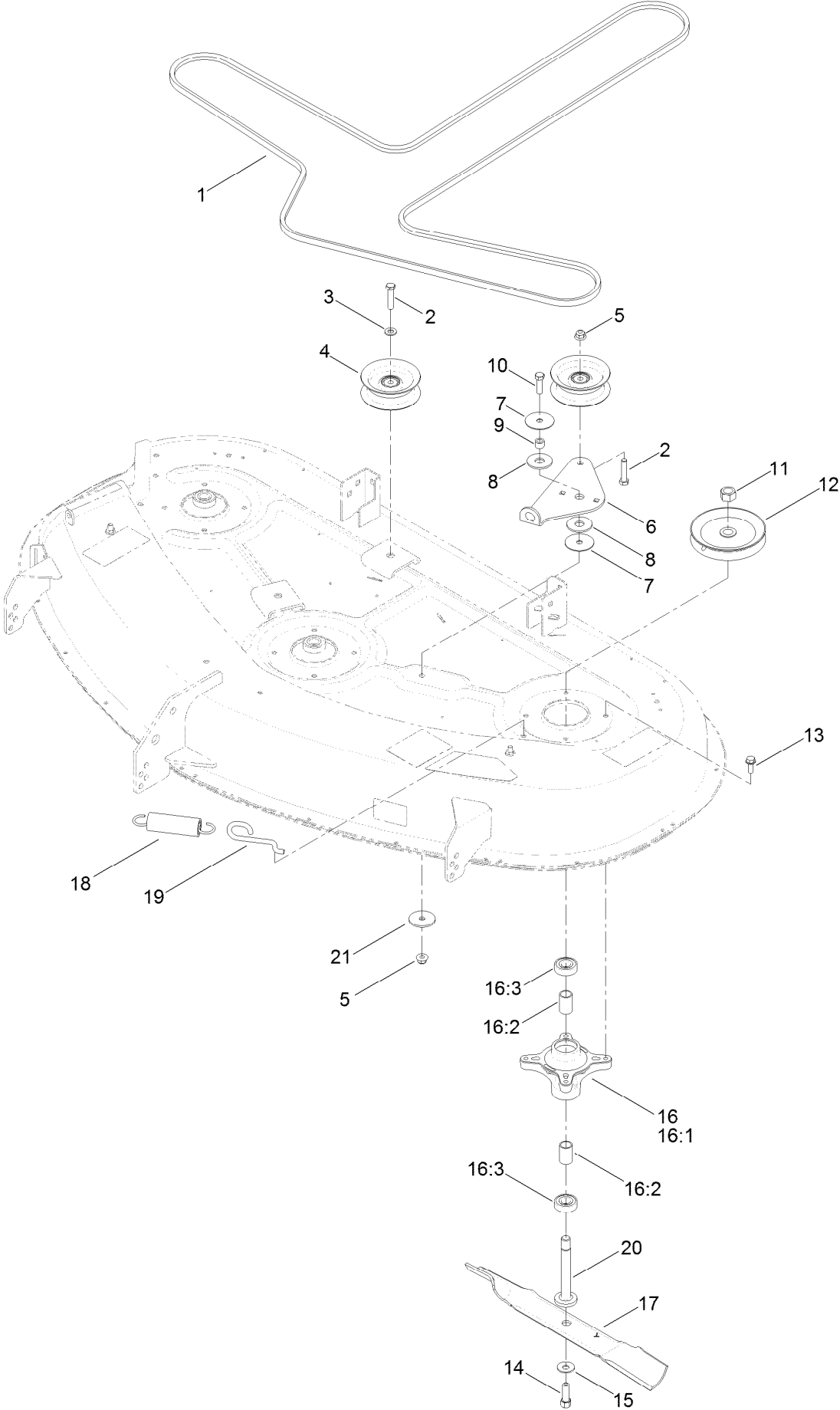


54 Inch Deck Decal Assembly No. 130-7004 (continued)

<i>Ref.</i>	<i>Part Number</i>	<i>Qty.</i>	<i>Description</i>
2	93-7009	1	Decal-Danger
3	132-0872	2	Decal-Danger, Deck
4	99-3943	1	Decal-Routing, Belt
5	112-9840	1	Decal-Scalp, Anti

<i>Ref.</i>	<i>Part Number</i>	<i>Qty.</i>	<i>Description</i>
6	322-2	1	Screw-HH
7	104-8300	2	Nut-Flange, NI
8	3230-23	1	Screw-CARR

54 Inch Deck, Belt and Blade Assembly



54 Inch Deck, Belt and Blade Assembly (continued)

<i>Ref.</i>	<i>Part Number</i>	<i>Qty.</i>	<i>Description</i>	<i>Ref.</i>	<i>Part Number</i>	<i>Qty.</i>	<i>Description</i>
1	130-0843	1	Belt-V	13	32144-41	12	Screw-Taptite
2	323-9	3	Screw-HH	14	26-0671	3	Screw-HH
3	3256-24	2	Washer-Flat	15	3290-465	3	Washer-Belleville
4	106-2175	3	Pulley-Idler, Flat	16	121-0751	3	Spindle ASM
5	104-8301	2	Nut-Flange, NI	16:1	117-7267	1	Spindle
6	114-8540	1	Arm-Idler	16:2	120-7935	2	Spacer
7	120-2229	2	Washer	16:3	38-7820	2	Bearing-Ball
8	114-0463	2	Washer-Friction, Composite	17	115-2454-03	3	Blade-Hi Lift, 18.75 Inch
9	115-4986	1	Spacer	18	1-603414	1	Spring-Extension
10	323-7	1	Screw-HH	19	112-3973	1	Hook-Return, Spring
11	3219-6	3	Nut-Hex	20	117-7268	3	Shaft-Spindle
12	130-0656	3	Pulley ASM	21	63-7400	1	Washer-Rebound

Attachments and Accessories

For 74793 TimeCutter SW 5425 Riding Mower

Product Name	Model/Part
Hourmeter Kit	116-5461
Oil-Synthetic, All Season	117-0066
Fuel Stabilizer (4oz).....	117-0089
Fuel Stabilizer (16oz).....	117-0090
Seat Cover W/arm Rest.....	117-0097
Jack Mount Kit	126-5251
Jack Kit	127-6666
Attachment Mount Kit	131-3966
54in Striping Kit.....	131-4165
54in Bagging Enhancement Kit.....	131-4166
54in Recycler Kit, Riding Mower	131-4185
Floor Mat Kit	132-6920
10w30 4-cycle Engine Oil (32oz Bottle)	38280
Toro 4-cycle Sae 30 Oil (32oz Bottle).....	38903
Storage Cover	490-7516
Sunshade Kit	79011
Cargo Carrier.....	79040
50in and 54in Bagger.....	79392

Notes:



Count on it.