

# POWERSMART<sup>®</sup>

## INSTRUCTION MANUAL

26" 3-in-1 Self Propelled Lawn Mower

Model # DB8611-26BS



**Have product questions or need technical support? Please feel free to contact us!**

Website: [www.Amerisuninc.com](http://www.Amerisuninc.com)  
[www.powersmartusa.com](http://www.powersmartusa.com)

Toll free: 1-800-791-9458 Mon-Fri 9-5 EST  
Email: [support@amerisuninc.com](mailto:support@amerisuninc.com)



## **CONTENTS**

Technical data.....	3
Introduction.....	4
Safety information.....	4
General safety procedures .....	5
Important safety instructions.....	6
Knowing your lawn mower.....	8
Lawn mower preparation.....	9
Operation.....	13
Maintenance.....	16
Storage.....	17
Troubleshooting.....	18
Exploded view & parts list.....	19
Warranty.....	27

## **TECHNICAL DATA**

26" 3-in-1 Self Propelled Lawn Mower	Model # DB8611-26BS
Engine type:	4 stroke, OHV, single cylinder with forced air cooling system
Displacement:	190 cc
Oil capacity:	18 fl.oz
Cutting width:	26 inch
Cutting height:	1.25 – 4. 25 inch
Height adjustment:	8 Position
Drive type:	Rear- wheel drive
Grass catcher capacity:	1.5 Bushels
Wheel:	Front: 8 inch / Rear: 10 inch
Package dimensions (L x W x H):	35 x 28.3 x 17.3 inches
Weight:	137 lb

## **INTRODUCTION**

Thank You for Purchasing a PowerSmart® Product. This manual provides information regarding the safe operation and maintenance of this product. Every effort has been made to ensure the accuracy of the information in this manual. PowerSmart® reserves the right to change this product and specifications at any time without prior notice.

Please keep this manual available to all users during the entire life of the lawn mower.



This manual contains special messages to bring attention to potential safety concerns, lawn mower damage as well as helpful operating and servicing information. Please read all the information carefully to avoid injury and machine damage.

## **QUESTIONS? PROBLEMS?**

Please contact our Customer Service Dept. with any questions and/or comments, either by Email: support@amerisuninc.com, or Toll Free at (800) 791-9458. We are available Mon-Fri 9am-5pm EST to help solve any issues that you might encounter.

## **NOTICE REGARDING EMISSIONS**

Engines that are certified to comply with U.S. EPA emission regulations for SORE (Small Off Road Equipment), are certified to operate on regular unleaded gasoline, and may include the following emission control systems: (EM) Engine Modifications and (TWC) Three-Way Catalyst (if so equipped).

## **SAFETY INFORMATION**

Before operating this lawn mower, read and observe all warnings, cautions, and instructions on the lawn mower and in this Owner's Manual.

NOTE: The following safety information is not meant to cover all possible conditions and situations that may occur. Read the entire Owner's Manual for safety and operating instructions. Failure to follow instructions and safety information could result in serious injury or death.

This safety alert symbol is used to identify safety information about hazards that can result in personal injury.



A signal word (DANGER, WARNING, or CAUTION) is used with the alert symbol to indicate the likelihood and the potential severity of injury. In addition, a hazard symbol may be used to represent the type of hazard.

**DANGER** indicates a hazard, which, if not avoided, will result in death or serious injury.

**WARNING** indicates a hazard, which, if not avoided, could result in death or serious injury.

**CAUTION** indicates a hazard, which, if not avoided, might result in minor or moderate injury.

**CAUTION** when used without the alert symbol, indicates a situation that could result in damage to the engine.

## **GENERAL SAFETY PROCEDURES**

For any questions regarding the hazard and safety notices listed in this manual or on the product, please call (800) 791-9458 Mon-Fri 9-5 EST before using the engine.

### **DANGER: CARBON MONOXIDE**



Using an engine indoors **CAN KILL YOU IN MINUTES**. Engine exhaust contains carbon monoxide (CO). This is a poison gas you cannot see or smell. If you can smell the engine exhaust, you are breathing CO. But even if you cannot smell the exhaust, you could be breathing CO.

**NEVER** use an engine inside homes, garages, crawlspaces, or other partly enclosed areas. Deadly levels of carbon monoxide can build up in these areas. Using a fan, or opening windows and/or doors will **NOT** properly vent CO nor supply adequate fresh air. **ONLY** use an engine outside and far away from windows, doors, and vents. These openings can pull in engine exhaust.

Even if you use an engine correctly, CO may leak into the home. **ALWAYS** use a battery-powered or battery-backup CO alarm in the home. If you start to feel sick, dizzy, or weak after the engine has been running, move to fresh air **RIGHT AWAY**. See a doctor. You may have carbon monoxide poisoning.

**WARNING:** The exhaust from this product contains chemicals known to the State of California to cause cancer, birth defects, or other reproductive harm.

**WARNING:** This engine may emit highly flammable and explosive gasoline vapors, which can cause severe burns or even death if ignited. A nearby open flame can lead to explosion even if it isn't directly in contact with gasoline.

- Do not operate near an open flame.
- Do not smoke near the engine.
- Always operate on a firm, level surface.
- Always turn engine off before refueling. Allow engine to cool for at least 2 minutes before removing fuel cap. Loosen cap slowly to relieve pressure in tank.
- Do not overfill fuel tank. Gasoline may expand during operation. Do not fill to the top of the tank. Allow for expansion.
- Always check for spilled fuel before operating.
- Empty fuel tank before storing or transporting the engine.

**WARNING:** This engine produces heat when running. Temperatures near exhaust can exceed 150<sup>0</sup>F (65<sup>0</sup> C).

Do not touch hot surfaces. Pay attention to warning labels on the engine identifying hot parts of the machine.

Allow engine to cool down after use before touching engine or areas of the engine that become hot during use.

**CAUTION:** Misuse of this engine can damage it or shorten its life. Only use engine for its intended purposes.

# **IMPORTANT SAFETY INSTRUCTIONS**

## **General Operation**

Read, understand, and follow all instructions on the machine and in the manual(s) before starting.

1. Do not put hands or feet near or under the machine. Keep clear of the discharge opening at all times.
2. Only allow responsible adults, who are familiar with the instructions, to operate this machine.
3. Clear the area of objects such as rocks, wire, toys, etc., which could be thrown by the blade. Stay behind the handle when the engine is running.
4. Be sure the area is clear of bystanders before operating. Stop machine if anyone enters the area.
5. Do not operate machine barefooted or while wearing sandals. Always wear substantial footwear.
6. Do not pull machine backward unless absolutely necessary. Always look down and behind before and while moving backward.
7. Never direct discharged material toward anyone. Avoid discharging material against a wall or obstruction. Material may ricochet back toward the operator. Stop the blade when crossing gravel surfaces.
8. Do not operate machine without the entire grass catcher, discharge guard, rear guard, or other safety protective devices in place and working.
9. Never leave a running machine unattended.
10. Stop the engine and wait until the blade comes to a complete stop before cleaning the machine, removing grass catcher, or unclogging the discharge guard.
11. Operate machine only in daylight or good artificial light.
12. Do not operate machine while under the influence of alcohol or drugs.
13. Never operate mower in wet grass. Always be sure of your footing; walk; never run.
14. Disengage the drive system, if so equipped, before starting the engine.
15. If the machine should start to vibrate abnormally, stop the engine and check for the cause immediately. Vibration is generally a warning of trouble.
16. Always wear eye protection when operating machine.
17. See manufacturer's instructions for proper operation and installation of accessories. Only use accessories approved by the manufacturer.

## **Slope Operation**

Slopes are a major factor related to slip and fall accidents, which can result in severe injury. Operation on all slopes require extra caution. If you feel uneasy on a slope, do not mow it.

1. Mow across the face of slopes; never up and down. Exercise extreme caution when changing direction on slopes.
2. Watch for holes, ruts, bumps, rocks, or other hidden objects. Uneven terrain could cause a slip and fall accident. Tall grass can hide obstacles.
3. Do not mow on wet grass or excessively steep slopes. Poor footing could cause a slip and fall accident.
4. Do not mow near drop-offs, ditches, or embankments. You could lose your footing or balance.

## **Children**

Sever injury can occur if the operator is not alert to the presence of children in the immediate area. Children are often attracted to the mowing activity. Never assume that children will remain where you last saw them.

1. Keep children out of the mowing area and under the watchful care of a responsible adult other than the operator.
2. Be alert and turn mower off if a child enters the area.
3. Never allow children under the age of 16 to operate the lawn mower.

4. Use extra care when approaching blind corners, shrubs, trees, or other objects that may block your view of a child.

### **Service**

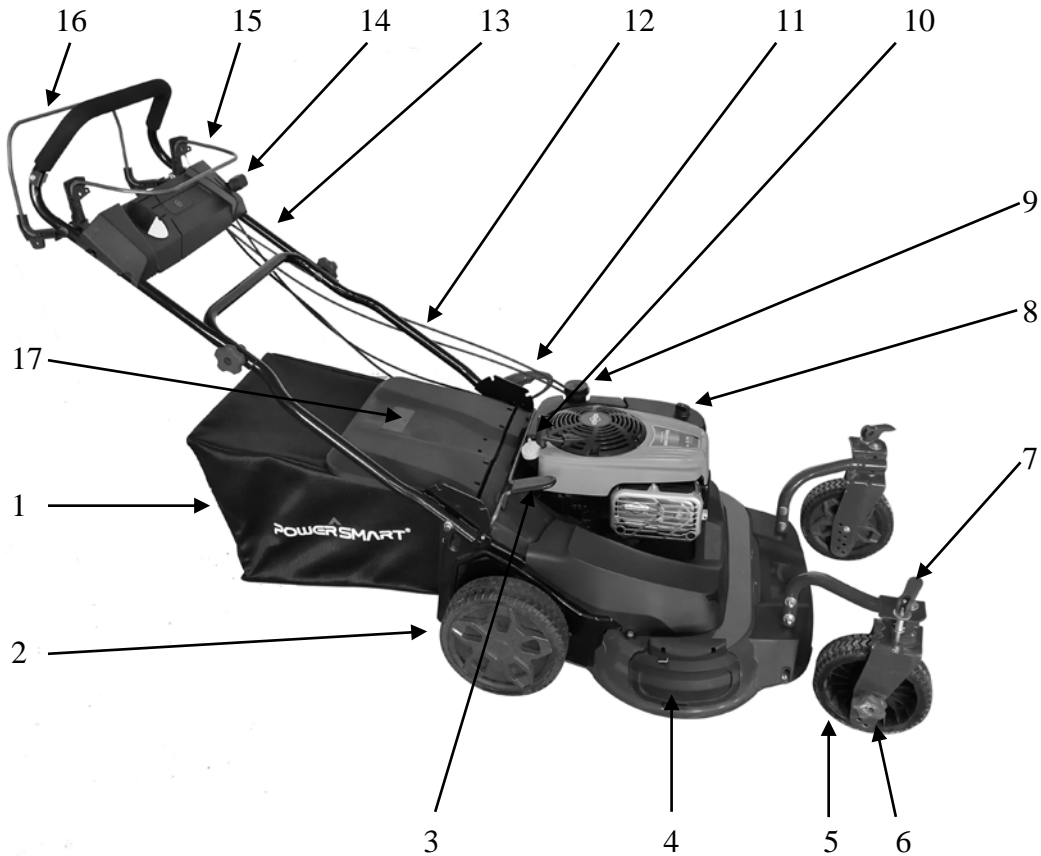
1. Safe Handling of Gasoline
2. To avoid personal injury or property damage, use extreme care in handling gasoline. Gasoline is extremely flammable and the vapors are explosive.
3. Extinguish all cigarettes, cigars, pipes, and other sources of ignition.
4. Only use a US EPA approved compliant portable fuel container.
5. Never remove gas cap or add fuel with the engine running. Allow engine to cool before refueling.
6. Never attempt to refuel the lawn mower while indoors.
7. Never store the machine or fuel container where there is an open flame, spark, or pilot light such as on a water heater or on other appliances.
8. Never fill containers inside a vehicle or on a truck or trailer bed with a plastic liner. Always place containers on the ground away from your vehicle before filling.
9. Remove gas-powered equipment from the truck or trailer and refuel it on the ground. If this is not possible, then refuel such equipment with a portable container, rather than from a gasoline dispenser nozzle.
10. Keep the nozzle in contact with the rim of the fuel tank or container opening at all times until fueling is complete. Do not use a nozzle lock-open device.
11. If fuel is spilled on clothing, change clothing immediately.
12. Never overfill fuel tank. Replace gas cap and tighten securely.

### **General Service**

1. Never operate machine in a closed area.
2. Keep all nuts and bolts tight to be sure the equipment is in safe working condition.
3. Never tamper with safety devices. Check their proper operation regularly.
4. Keep machine free of grass, leaves, or other debris build-up. Clean up oil or fuel spillage and remove any fuel-soaked debris. Allow machine to cool before storing
5. If you strike a foreign object, stop and inspect the machine. Repair, if necessary, before starting.
6. Never make any adjustments or repairs with the engine running. Disconnect the spark plug wire to prevent unintended starting.
7. Check grass catcher components and the discharge guard frequently and replace with manufacturer's recommended parts, when necessary.
8. Mower blades are sharp. Wrap the blade or wear gloves, and use extra caution when servicing them.
9. Do not change the engine governor setting or overspeed the engine.
10. Maintain or replace safety and instruction labels, as necessary.

# 11. KNOWING YOUR LAWN MOWER

Please use the illustration below to familiarize yourself with the location and function of the components that control of your lawn mower.



1	Grass catcher		10	Oil dipstick
2	Rear wheel		11	Cutting height adjustment lever
3	Handle-lock lever		12	Lower handle
4	Side discharge cover		13	Upper handle
5	Front wheel		14	Drive speed control lever
6	Cutting height adjustment lever		15	Mow control stick
7	Self-locking knob		16	Drive control bar
8	Air Filter		17	Rear discharge door
9	Fuel tank cap			

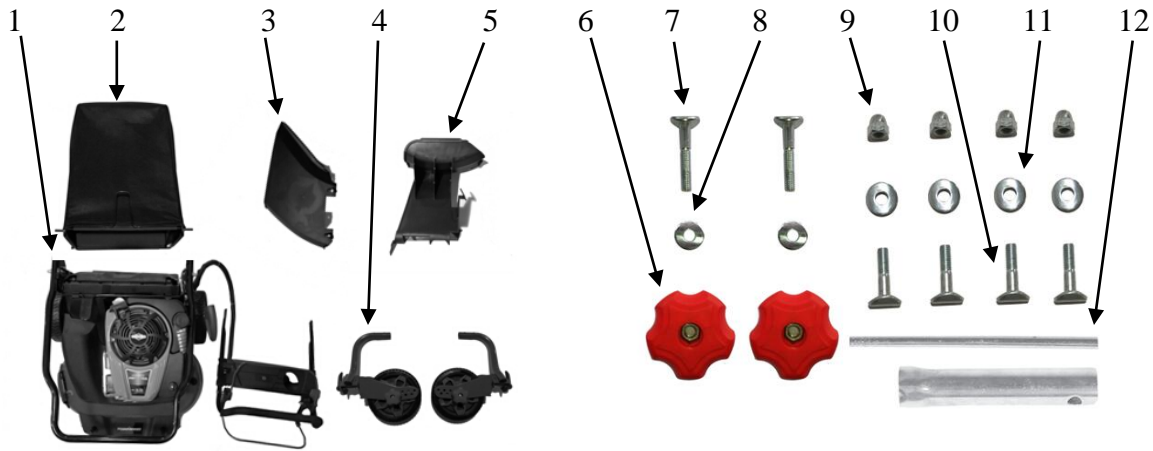


# LAWN MOWER PREPARATION

The following section describes steps necessary to prepare the lawn mower for use. If after reading this section, you are unsure about how to perform any of the steps please call (800) 791-9458 Mon-Fri 9-5 EST for customer service. Failure to perform these steps properly can damage the lawn mower or shorten its lifespan.

## UNPACKING

Unpack the lawn mower and all its parts, and compare against the list below. Do not discard the carton or any packaging until the engine is completely assembled.



- 1 Lawn mower with upper handle
- 2 Grass Catcher
- 3 Side discharge chute
- 4 Universal wheel assembly (2)
- 5 Mulch Plug
- 6 Knob(2)

- 7 Bolt (2)
- 8 Washer (2)
- 9 Nut (4)
- 10 Bolt (4)
- 11 Washer (4)
- 12 Spark plug wrench

**ATTACH FRONT WHEELS**

- 1. Inserting the Universal arm branch pipe into the Front wheel bar. Assemble them with bolts (4), washers (4), nuts (4).

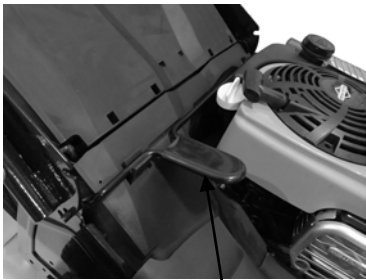


Bolt, Washer and Nut



**ATTACH LOWER & UPPER HANDLE**

- 1. Adjusting the handle-lock lever rearward to the lowest position.



handle-lock lever



- 2. Pull upper handle up and lock it in position with bolts, washer and knob on both side.

Knob, washer and screw



## GRASS CATCHER

### Attach grass catcher

1. Lift mower rear discharge door.
2. Place grass catcher into the slots in the handle brackets.
3. Release the rear discharge door so that it rests on the grass catcher.

**Caution:** Make sure that the mulch plug adapter has been removed from of the rear deck door's opening.



### Remove grass catcher

1. Lift mower rear discharge door.
2. Lift grass catcher up and off the slots in the handle bracket.
3. Slide the mulch plug into the ejector opening. .
4. Release mower rear discharge door to allow it to close rear opening of mower.



## SIDE DISCHARGE CHUTE

To convert mower for side discharge, ensure that the mulch plug had been inserted, the grass catcher has been removed and that the rear discharge door is closed.

1. Lift the spring-loaded discharge cover located on the side of the mower.
2. Slide two hooks of the side discharge chute under the hinge pin and lower the spring on the side discharge cover.

**Caution:** Do not attempt to remove the permanently mounted spring loaded side discharge cover at any time.



## ADJUSTING THE CUTTING HEIGHT



**Warning!** Cutting height adjustments should only be performed after the engine and blades have come to a complete stop!

It is always best to begin cutting your lawn with a higher deck height to prevent scalping your lawn.

### Rear wheel

The cutting height for the rear wheels is adjusted with a single lever. Actuate the adjustment lever and pull it to the required position. Please make sure that the lever locks into position.

Cutting height adjustment lever



### Front wheel

The single front wheel must be adjusted to the same cutting height as the rear wheels to ensure an even cut. Remove the axle bolt and adjust to the desired height.



### Adjusting the Handle Height

You can raise or lower the handle to a position more comfortable for you.

1. Lift the handle slightly and pull the handle-lock lever rearward to disengage the handle-lock pins
2. Rotate the handle and align the desired notch in the handle bracket to the handle-lock pins;
3. Release the handle-lock lever to secure the handle in place.



handle-lock lever

# OPERATION

## GAS AND OIL FILL-UP

The engine comes shipped without oil or gasoline. Be sure to add oil and gasoline before starting the engine.

Refer to the separate engine operator's manual for additional engine information.

1. Add oil before starting mower for the first time.
2. Service the engine with gasoline as instructed in the separate engine operator's manual.



**Warning:** Use extreme care when handling gasoline. Gasoline is extremely flammable and its vapors are explosive. Never fuel the machine indoors or while the engine is hot or running. Extinguish all cigarettes, cigars, pipes and other potential sources of ignition.

## MOW CONTROL LEVER

This lawn mower comes equipped with an Safe Trigger and the mow control lever to prevent unintentional starting and to ensure safe operation. Releasing the mow control stick will quickly stop the blade in case of danger. The trigger and lever must be actuated before the lawn mower is started. When the mow control lever is released, it must return to its initial position.

Before you start mowing, you should run through this process several times in order to ensure that the stick and actuator cables are working properly. Repeat the test several times after the engine has started up. When the engine mow control lever is released, the blade must stop within a few seconds. Press the button on the panel to stop the engine. If not, contact Customer Service.

Mow Control Lever



Safe Trigger



**Warning:** The blade begins to rotate as soon as the lever is pressed.

## START THE ENGINE

1. Ensure that the ignition cable is connected to the spark plug.
2. Stand behind the lawn mower.
3. Start the engine using the starter handle. To do this pull out the handle approx. 4 –6 inches (until you feel a resistance) and then start the engine with a sharp tug. If the engine does not start, tug the handle again.

**Caution:** Never allow the actuator cable to snap back.

**Caution:** In cold weather, it may be necessary to repeat the starting process several times.

## STOP THE ENGINE

Press the toggle switch to the Stop position and hold it until the engine stops.

## DRIVE CONTROL BAR

If you press drive control bar the clutch for the drive will be closed and the lawn mower will start to move with the engine running. Release the drive control bar in good time to stop the moving lawn mower. Practice starting and stopping before you use the mower for the first time until you are familiar with controlling the mower.

Drive control bar



## MOWING

The engine throttle on your mower has been preset to provide optimum bagging and mulching performance for years to come.

Only use a sharp blade that is in good condition. This will prevent the grass blades from becoming frayed and the lawn from turning yellow.

Mow in straight lines for a nice, clean look. The swaths should overlap each other by a few inches in order to avoid stripes.

It's important to keep the underside of the mower deck clean and remove grass build-up. This buildup will decrease mulching quality, and make it harder for the equipment to bag the grass.

Always mow along inclines (not up and down). You can prevent the lawn mower from slipping down by holding a position at an angle upwards. Select the cutting height according to the length of the grass. If necessary, mow a number of times so that you never cut more than 2 inches of grass in one go.

Turn off the engine before doing any checks on the blade. Keep in mind that the blade continues to rotate for a few seconds after the engine has been turned off. Never attempt to manually stop the blade. Regularly check to see if the blade is securely attached, is in good condition and is sharp. If the contrary is the case, sharpen the blade or replace it. In the event that the blade strikes an object, immediately turn off the lawn mower and wait for the blade to come to a complete stop. Then inspect the condition of the blade and the blade mount. Replace any parts that are damaged.

## USING AS MULCHER

The mulching process recuts grass clipping several times within the enclosed mower deck. This renders clippings small enough to be dispersed within the blades of grass and redistributed back onto the lawn's ecosystem.

Mulching is best when the grass is not wet or dewy. For best mulching results only cut the top 1/3 of your grass height. This sometimes requires more frequent mowing during peak season.

Mulch Plug



## USING AS SIDE DISCHARGE

You should fit the mulching adapter in order to use the side discharge.

1. On the side of the mower, lift the side discharge cover.
2. Slide two hooks of side discharge chute under hinge pin on the side discharge cover. Lower the side discharge cover.

**Caution:** Do not remove side discharge cover at any time.



## USING AS A REAR BAGGER

To use the grass catcher to collect clippings while you are operating the mower.

1. Attached grass catcher following instruction in the lawn mower preparation. Grass clippings will automatically collect in bag as you run the mower. Operate mower until grass catcher is full.
2. Stop engine completely by releasing the engine start/stop lever. Make sure that the engine has come to a complete stop.
3. Lift rear discharge door and pull grass catcher up and away from the mower to remove the grass catcher. Dispose of the grass clippings and reinstall the grass catcher when complete.



**Warning:** If you strike a foreign object, stop the engine. Remove spark plug wire, thoroughly inspect mower for any damage, and repair damage before restarting and operating. Excessive vibration of the mower during operation is an indication of damage. The mower should be promptly inspected and repaired.

## **MAINTENANCE**

Proper routine maintenance of this mower will help prolong the life of the machine.

Always observe safety rules when performing any maintenance.

The warranty on this lawn mower does not cover items that have been subjected to operator abuse or negligence. To receive full value from warranty, operator must maintain the lawn mower as instructed here.

Changing of engine-governed speed will void engine warranty.

All adjustments should be checked at least once each season.

Periodically check all fasteners and make sure these are tight.



**Warning:** Always stop engine, allow engine to cool, disconnect spark plug wire before performing any type of maintenance on your machine.

## **DECK CARE**

It is important to clean underside of the mower deck after use to prevent the build-up of grass clippings or other debris. Follow steps below for proper cleaning.

1. Move the machine to a level surface.
2. Stop the engine and wait for all moving parts to stop before leaving the operating position.
3. Lower the machine to its lowest cutting height setting. Refer to Adjusting the Cutting Height .
4. Attach a hose to the washout fitting, and turn the water on high.

**Note:** Spread petroleum jelly on the washout fitting O-ring to make the coupling slide on easier and protect the O-ring.

5. Start the engine, engage the blade-control lever, and let the machine run for 1 to 3 minutes.
6. Disengage the blade-control lever, stop the engine, and wait for all moving parts to stop.
7. Shut off the water and remove the coupling from the washout fitting.

**Note:** If the machine is not clean after a single washing, soak it and let it stand for 30 minutes. Then repeat the process.

8. Run the machine again and engage the blades for 1 to 3 minutes to remove the excess water.



## **MOWER BLADE**



To ensure safe operation, have all blade sharpening, balancing and mounting work carried out by an authorized service center. To achieve optimal results, we recommend having the blade checked once a year.

If, in spite of all caution, the blade comes into contact with an obstacle, switch off the engine immediately and pull off the spark plug connector. Tilt the lawn mower to the rear and check the blade for damage. Always keep the side with the air cleaner facing up. Damaged or bent blades must be replaced. Never straighten a bent blade. Never work with bent or heavily worn blades as this will result in vibrations, causing further damage to the mower.



**Warning:** Risk of injury when working with a damaged blade.

## **STORAGE**

**CAUTION:** Never place any type of storage cover or tarp on the MOWER while it is still hot.

If the MOWER is being stored for short periods of time (30 to 60 days), add stabilized fuel to the gas tank until it is full. Run the engine for 2 – 3 minutes allowing stabilized fuel mixture to circulate through the carburetor.

**NOTE:** Keeping the fuel tank full, reduces the amount of air and vapor and helps reduce deterioration of the fuel. This will also help minimize moisture accumulation common with ethanol blended fuels.

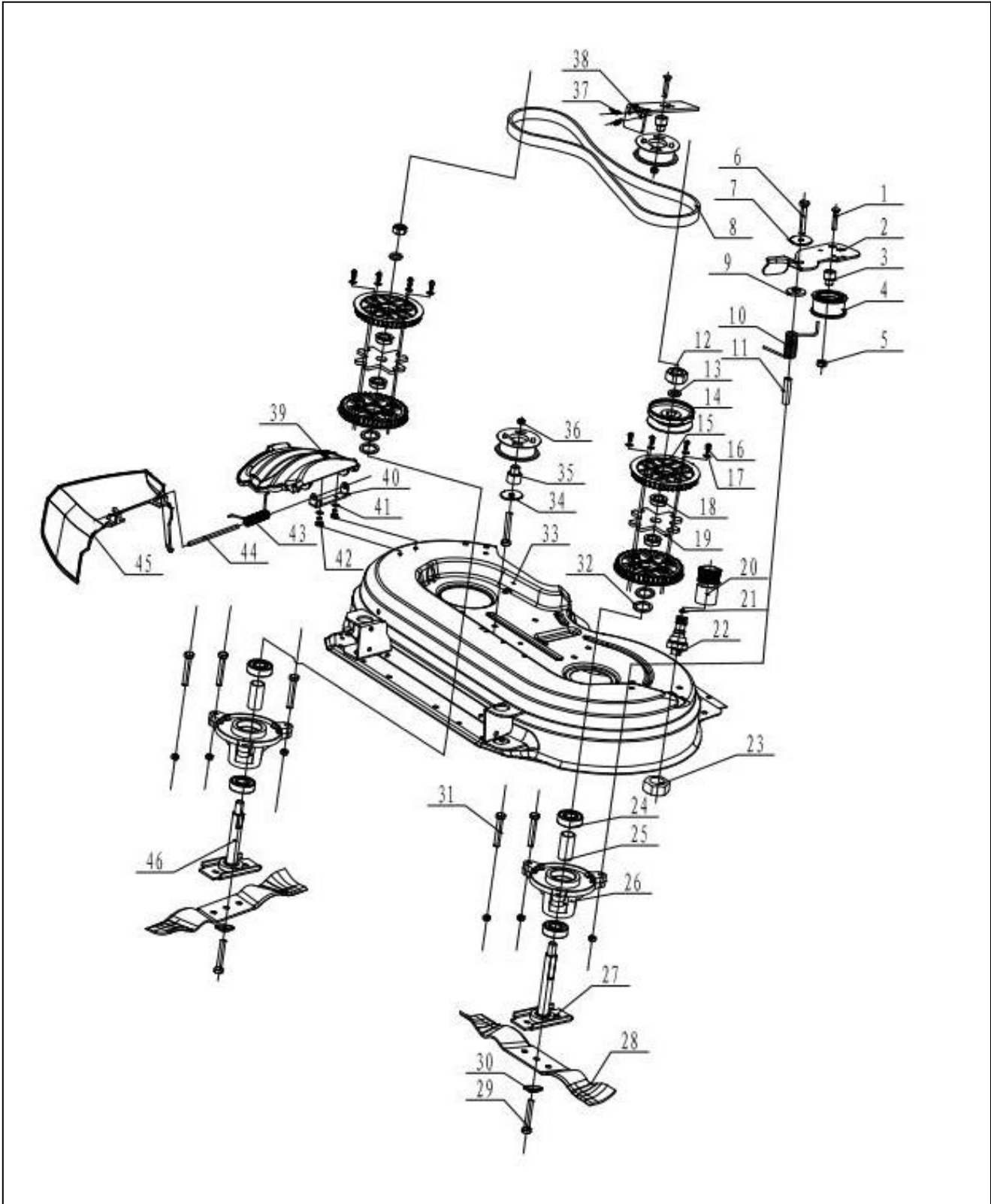
When storing the mower for extended periods of time:

1. Start the engine and run it until the tank and fuel line are completely empty and the engine stalls.
2. Change the oil after each season.
3. Remove the spark plug. Use an oil-can to fill the cylinder with approx. 2 ml of oil. Slowly pull back the starter handle, which will bathe the cylinder wall with oil. Screw the spark plug back in.
4. Clean the cooling fins of the cylinder and the housing.
5. Be sure to clean the entire equipment to protect the paint.
6. Store the equipment in a well-ventilated place.

## **TROUBLESHOOTING**

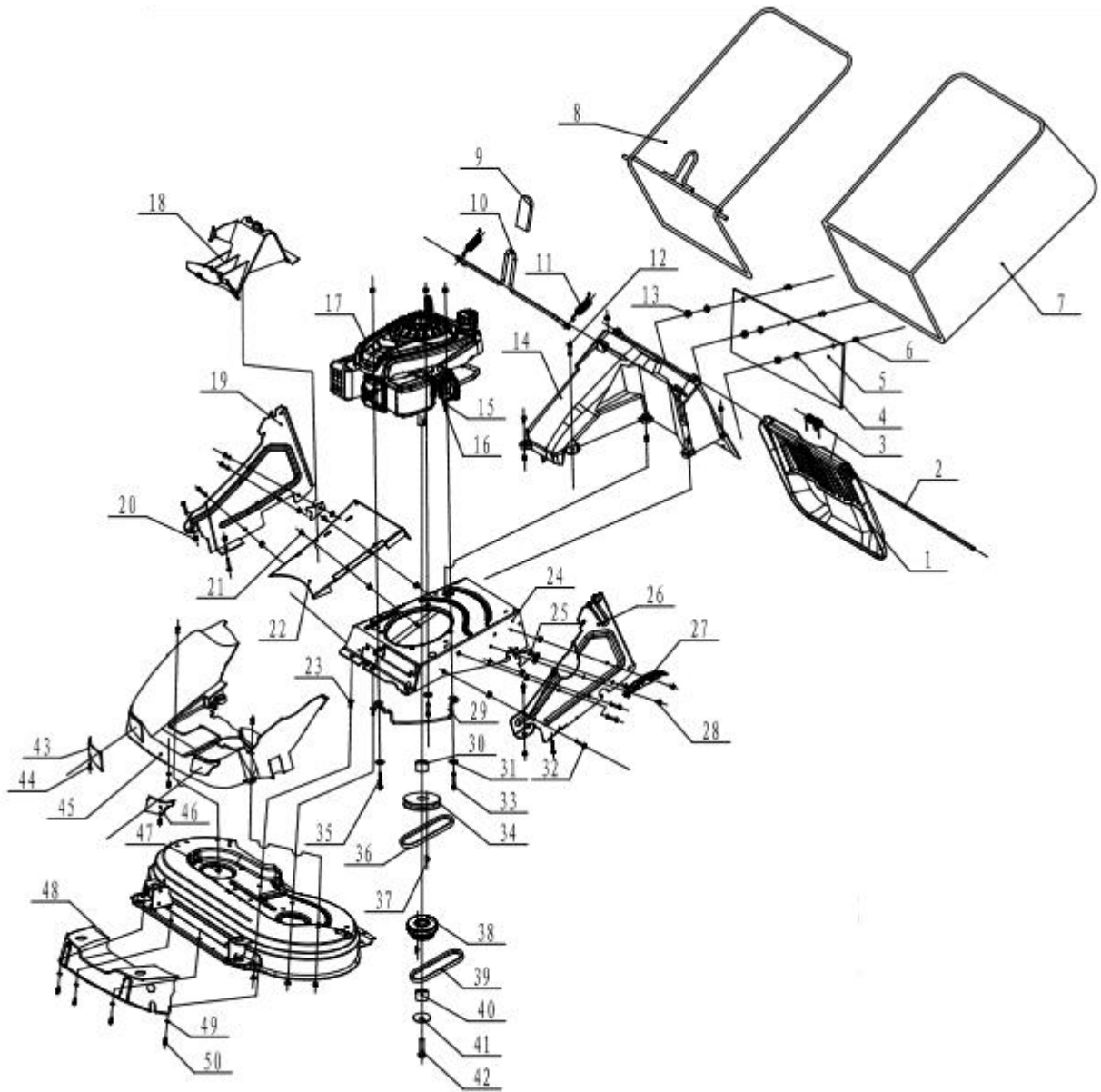
<b>Problem</b>	<b>Cause</b>	<b>Solution</b>
Engine fails to start	Spark plug wire disconnected.	Connect spark plug wire.
	Fuel tank empty or stale fuel.	Fill tank with clean, fresh gasoline.
	Engine not primed.	Press primer bulb.
	Faulty spark plug.	Clean, adjust gap, or replace.
	Blocked fuel line.	Clean fuel line.
	Engine flooded.	Wait a few minutes to restart, do not prime.
	Spark plug wire loose.	Connect and tighten spark plug wire.
Engine runs erratic.	Blocked fuel line or stale fuel.	Clean fuel line. Fill tank with clean, fresh gasoline.
	Water or dirt in fuel system.	Drain fuel tank. Refill with fresh fuel.
	Dirty air filter	Please refer to engine manual.
	Engine oil lever low.	Fill crankcase with proper oil.
Engine overheats.	Air flow restricted.	Clean area around and on top of engine.
	Spark plug fouled, faulty, or gap too wide.	Reset gap or replace spark plug.
Idles poorly.	Dirty air cleaner.	Please refer to engine manual.
	Blade loose or unbalanced.	Tighten and balance blade.
Excessive vibration/noise	Bent/damaged blade.	See an authorized service dealer.
	Wet grass.	Do not mow when grass is wet, wait until dry to cut.
Mower will not mulch grass.	Excessively high grass.	Mow once at a high cutting height, then mow again at desired height or make a narrower cutting path.
Uneven cut.	Dull blade.	Sharpen or replace blade.

**EXPLODED VIEW AND PARTS LIST**



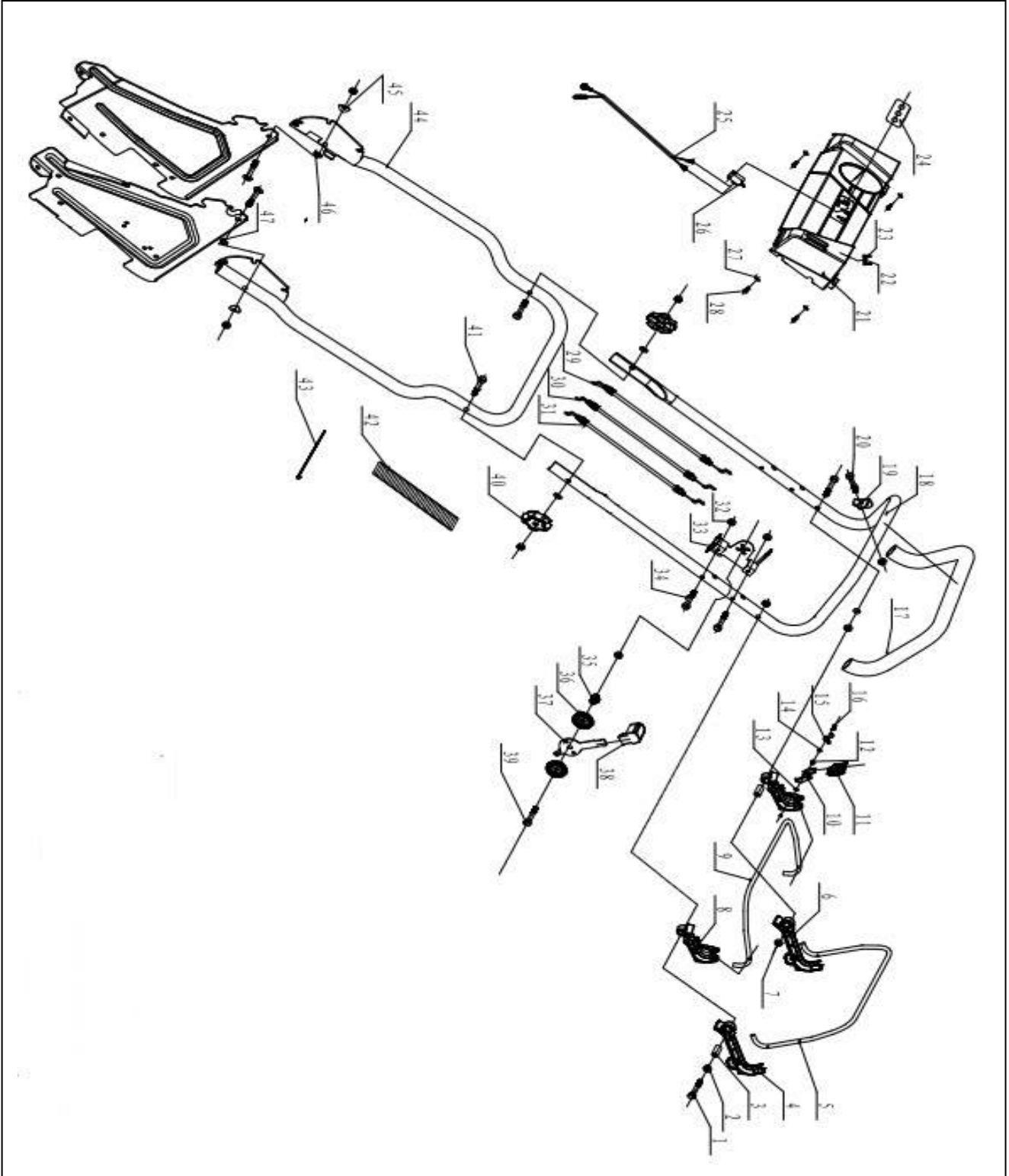
Item	Stock#	Description	Qty
1	303020146	Half round head square neck bolt	2
2	303070896	DB8611 mow clutch stop plate	1
3	303020520	DB8611 tensioning wheel bushing	1
4	203100003	DB8611 tensioning wheel assembly	3
5	303030077	Flange lock nut	7
6	303020519	Outer six angle bolt	1
7	303042005	Flat gasket	1
8	302040060	Synchronous belt	1
9	303160192	DB7659 spacer	1
10	303130134	DB8611 brake torsion spring	1
11	303060109	Clutch stop plate bushing	1
12	303030058	Anti loose nut	2
13	303042069	Flat gasket	2
14	303160565	Brake wheel	1
15	203050297	Synchronous pulley	4
16	303010028	Cross recessed countersunk head tapping screws	8
17	303042019	Flat gasket	8
18	303160569	DB8611 synchronizing wheel bushing	4
19	303060102	DB8611 synchronizing wheel drive shift	2
20	203050358	DB8611 wash nozzle	1
21	302010013	Seal ring	1
22	203050359	DB8611 wash nozzle contact	1
23	203050360	DB8611 wash nozzle lock net	1

Item	Stock#	Description	Qty
24	303100067	6203Z bearing	4
25	303060110	DB8611 tool apron middle cover	2
26	303020521	DB8611 tool apron	2
27	303060111	DB8611 long cutter shaft welding	1
28	303070894	DB8611 14" blade	2
29	303020563	Outer six angle bolt	2
30	303043023A	DB8653 dish washer	2
31	303020124	Outer six angle bolt	6
32	303043022	Flat gasket	4
33	303070898	DB8611 26" welding base	1
34	303042139	Flat gasket	1
35	303160197	Tension wheel casing	2
36	303030036	lock nut	2
37	303130327	DB8611 Synchronous extension spring	2
38	303070900	DB8611 synchronous tensioning wheel install panel	1
39	203050300	DB8611 side discharge cover	1
40	303160456	DB8605 side discharge support	1
41	303041009	Spring washer	2
42	303020468	Outer six angle bolt	2
43	303160455	DB8605 side discharge torsion spring	1
44	303160410	DB61902 side discharge cover plate shaft	1
45	203050301	DB8611 side discharge wind road	1
46	303060112	Short blade shaft welding	1



Item	Stock#	Description	QTY
1	203050309	DB8611 back discharge cover plate	1
2	303060113	DB8611 back discharge cover plate shaft	1
3	303130328	DB8611 back discharge cover torsion spring	1
4	303042009	Flat gasket	3
5	302080039	DB8611 rubber back protect curtain	1
6	303020276	Outer six angle bolt	3
7	302120014	DB8611 collection bag	1
8	303180849	DB8611 collection bag steel frame welding	1
9	302120024	Bar rise handle cover	1
10	303170007	DB8611 bar rise axis pin	1
11	303130329	Extension spring	2
12	303020238	Outer six angle Flange bolt	3
13	303030032	Anti loose nut	3
14	203050366	Wind cover	1
15	202370024	heat shrink tubing	3
16	306010032		1
17	303190248	Gasoline engine	1
18	203050367	DB 8611 End cap	1
19	303070909	DB8611 lower bar right mounting plate	1
20	303030077	Flange lock nut	14
21	303020246	Outer six angle Flange bolt	7
22	303020538	Lower discharge road welding	1
23	303020155	Half round head square neck bolt	2
24	303060114	Transmission case welding	1
25	303060115	DB8611 aft shaft clip	2

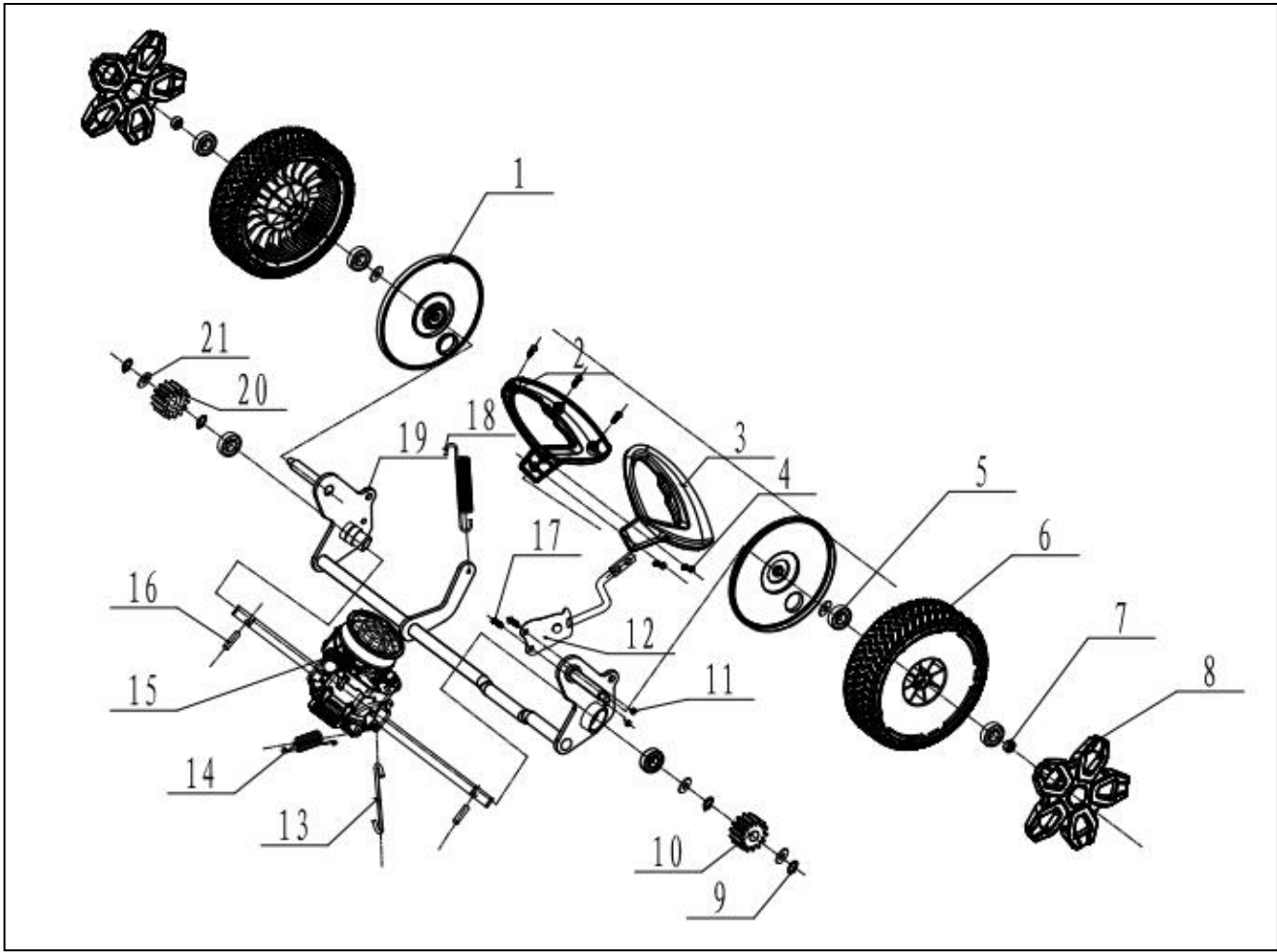
Item	Stock#	Description	QTY
26	303070908	DB8611 lower bar left mounting plate	1
27	303060104A	DB8611 rise plate	1
28	303020277	Outer six angle Flange bolt	2
29	303060118	DB8611 belt protect support	1
30	303060119	Engine principal axis bushing	1
31	303042013	Flat gasket	3
32	303020240	Outer six angle bolt	9
33	303020552	Outer six angle bolt	1
34	303160564	DB8611 mow driving pulley	1
35	303020275	Outer six angle bolt	2
36	302040061	V- belt (cutting drive)	1
37	303160645	key	2
38	303160575	DB8611 variable speed driving pulley assembly	1
39	302040070	V-belt	1
40	303060120	Engine principal axis bushing-2	1
41	303043023A	Dish washer	1
42	303020337	Six-inch angle bolts	1
43	203050361	DB8611 left light cover	1
44	303010328	Cross recessed countersunk head tapping screws	2
45	203050299	DB8611 transmission case cover	1
46	203050362	DB8611 right light cover	1
47	303030087	Flange lock nut	12
48	203050363	Universal base front cover	1
49	303042019	Flat gasket	4
50	303010243	Cross recessed countersunk head tapping screws	4



Item	Stock#	Description	QTY
1	303020059	T-screw(R11)	2
2	303030026	Upset plain nuts	4
3	303060126	DB8611 bar bushing	2
4	203050316	Left Drive cable support	1
5	303080386	DB8611 drive control stick	1
6	203050392	Right Drive cable support	1
7	303160648	Flange lock nut	3
8	203050320	Cable bracket	2
9	303080385	DB8611 mow control stick	1
10	303180939	DB8611 safe trigger	1
11	302030052	DB8611 safe trigger handle cover	1
12	303060123	DB8611 trigger bushing	1
13	303042035	Flat gasket	1
14	303042019	Flat gasket	1
15	303130330	DB8611 trigger torsion spring	1
16	303020075	Cross recessed countersunk head tapping screws	1
17	302020010	Sponge tube	1
18	303080345	DB8611 Upper Handle Bar	1
19	303071030	DB8611 trigger safe baffle	1
20	303020308	Outer six angle bolt	1
21	203050324	DB8611 handrail panel	1
22	203020047	DB6121 cable pressing plate	1
23	303010026	Cross recessed countersunk head tapping screws	2
24	302120025	DB8611 touch membranes	1

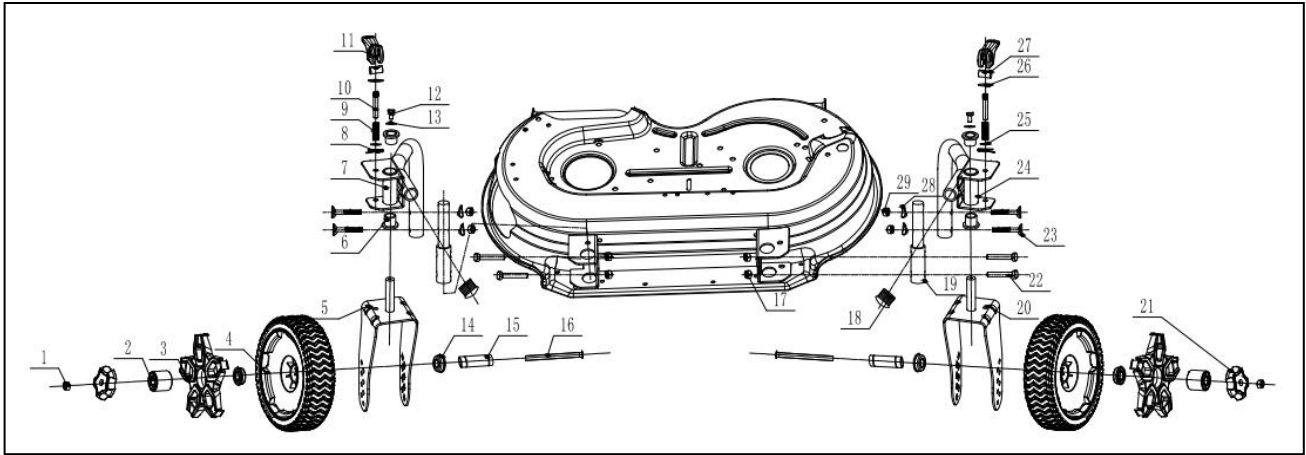
Item	Stock#	Description	QTY
25	302120026	Flameout connect wire	1
26	302120027	Flameout switch	1
27	303042019	Flat gasket	4
28	303010226	Cross recessed countersunk head tapping screws	4
29	303200081	DB8611 clutch cable	1
30	303200082	DB8611 drive cable	1
31	303200083	DB8611 speed cable	1
32	303030087	Flange lock nut	3
33	303070912	Cable bracket	1
34	303020300	Outer six angle bolt	2
35	303130074	DB7657 press spring	1
36	203020380	Gasket	2
37	203050322	DB8611 speed control	1
38	203050323	DB8611 speed control handle	1
39	303020072	Outer six angle bolt	3
40	203020351	DB5010M8 knob	2
41	303020461	(R11 ) T-bolt	2
42	302120028	Bellow	1
43	D18000006	Ribbon	6
44	303080384	DB8611 lower bar welding	1
45	303043010	Concave pad	2
46	303042005	Flat gasket	3
47	303180940	stop block	1





Item	Stock#	Description	QTY
1	203050364	DB8611 self-walk dust cover	2
2	203050307	DB8611 back rise handle	1
3	203050308	DB8611 front rise handle	1
4	303010298	Cross recessed countersunk head tapping screws	5
5	303100002	bearing	6
6	203050306	DB8611 10" wheel	2
7	303030077	Flange lock nut	2
8	203050314	DB8611 10"-wheel cover	2
9	303050007	Shaft ring	4
10	303160471	DB8605 L walking gear	1
11	303030032	Anti loose nut	2

Item	Stock#	Description	QTY
12	303210024	DB8611 back rise handle stake	1
13	303060116	DB8611 Synchronous extension spring	1
14	303160621	DB8611 self-walk extension spring	1
15	303240459	DB8611, 26" walking device(MC600-GT)	1
16	303123017A	DB8605 round pin	2
17	303020339	Outer six angle bolt	3
18	303130334	DB8611 balance extension spring	1
19	303180847	DB8611 back axle welding	1
20	303160470	DB8605 R walking gear	1
21	303042130	Flat gasket	5



Item	Stock#	Description	QTY
1	303030026	Upset plain nuts	2
2	203050365	plastic bushing	2
3	203050302	8611 front wheel cover (with hole)	2
4	203050303	DB8611 wheel (8")	2
5	303060124	DB8611 left universal wheel fork welding	2
6	303060125	Universal rotate bushing	4
7	303070917	DB8611 universal right support welding	1
8	303121011	cotter	2
9	303130331	DB8611 universal lock return spring	2
10	303170009	Universal wheel rotate	2
11	203021049	DB5014 self-locking knob	2
12	303020276	Outer six angle bolt	2
13	303042095	Flat gasket	2
14	303100065	wheel bearing (stamping bearing)	4
15	303170008	DB8611 front wheel bushing	2

Item	Stock#	Description	QTY
16	303020384	Half round head square neck bolt	2
17	303030036	lock nut	4
18	302060012	DB7551 choke plug	2
19	303060128	Universal arm branch pipe	2
20	303060127	DB8611 left universal wheel fork welding	1
21	203020351	DB5010M8 knob	2
22	303020426	Outer six angle bolt	4
23	303020136	T-bolt (R11 )	4
24	303060129	Universal left support welding	1
25	303042135	Flat gasket	2
26	303042005	Flat gasket	2
27	303160034	DB5014 lock pin	2
28	303043020	cupped pad	4
29	303030055	Cap nut	4

## **TWO (2) YEARS LIMITED WARRANTY**

PowerSmart is committed to building equipment that will provide years of dependable service. Our warranties are consistent with our commitment and dedication to quality.

### **TWO (2) YEARS LIMITED WARRANTY OF POWER SMART PRODUCTS FOR HOME USE.**

PowerSmart ("Seller") warrants to the original purchaser only, that all PowerSmart consumer power tools will be free from defects in material or workmanship for a period of two (2) years from date of purchase. If the tool(s) is used while providing professional or commercial services, the warranty coverage shall be for a maximum of (90) days.

**SELLER'S SOLE OBLIGATION AND YOUR EXCLUSIVE REMEDY** under this Two (2) Years Limited Warranty and, to the extent permitted by law, any warranty or condition implied by law, shall be the re-pair or replacement of parts, without charge, which are defective in material or workmanship and which have not been misused, carelessly handled, or improperly repaired, by person(s) other than an Authorized Seller or Service Center.

Please be aware that normal wear parts are not covered this warranty. This includes drive belts, blades and grass bags. Carburetor issues, and/or other damage found to be the result of stale, contaminated or compromised fuel, is not covered under this limited warranty.

To make a claim under this Limited Warranty, you must return the entire power tool product; transportation prepaid, to PowerSmart. The owner must include a legible copy of the original receipt, which shall list the date of purchase, along with the company's name where the product was purchased.

**THIS LIMITED WARRANTY DOES NOT APPLY TO ANY ACCESSORY ITEMS INCLUDED WITH THE TOOL SUCH AS CIRCULAR SAW BLADES OTHER RELATED ITEMS OR TO ANY REPLACEMENT PARTS LISTED UNDER MAINTENANCE.**

**ANY IMPLIED WARRANTIES SHALL BE LIMITED IN DURATION TO TWO (2) YEARS FROM DATE OF PURCHASE. SOME STATES IN THE U.S. AND SOME CANADIAN PROVINCES DO NOT ALLOW LIMITATIONS ON HOW LONG AN IMPLIED WARRANTY LASTS, SO THE ABOVE LIMITATION MAY NOT APPLY TO YOU.**

**IN NO EVENT SHALL SELLER BE LIABLE FOR ANY INCIDENTAL OR CONSEQUENTIAL DAMAGES (INCLUDING BUT NOT LIMITED TO LIABILITY FOR LOSS OF PROFITS) ARISING FROM THE SALE OR USE OF THIS PRODUCT. SOME STATES IN THE U.S. AND SOME CANADIAN PROVINCES DO NOT ALLOW THE EXCLUSION OR LIMITATION OF INCIDENTAL OR CONSEQUENTIAL DAMAGES, SO THE ABOVE LIMITATION OR EXCLUSION MAY NOT APPLY TO YOU.**

**THIS LIMITED WARRANTY GIVES YOU SPECIFIC LEGAL RIGHTS, AND YOU MAY ALSO HAVE OTHER RIGHTS WHICH VARY FROM STATE TO STATE IN THE U.S., PROVINCE TO PROVINCE IN CANADA AND FROM COUNTRY TO COUNTRY.**

For questions, comments, technical assistance or to order repair parts

Please call toll free at: 1-800-791-9458 (M-F 9am – 5pm CST)

Email: [support@amerisuninc.com](mailto:support@amerisuninc.com)

**PLEASE SAVE ALL OF YOUR ORIGINAL RECEIPTS. THIS WARRANTY IS VOID WITHOUT THEM.**