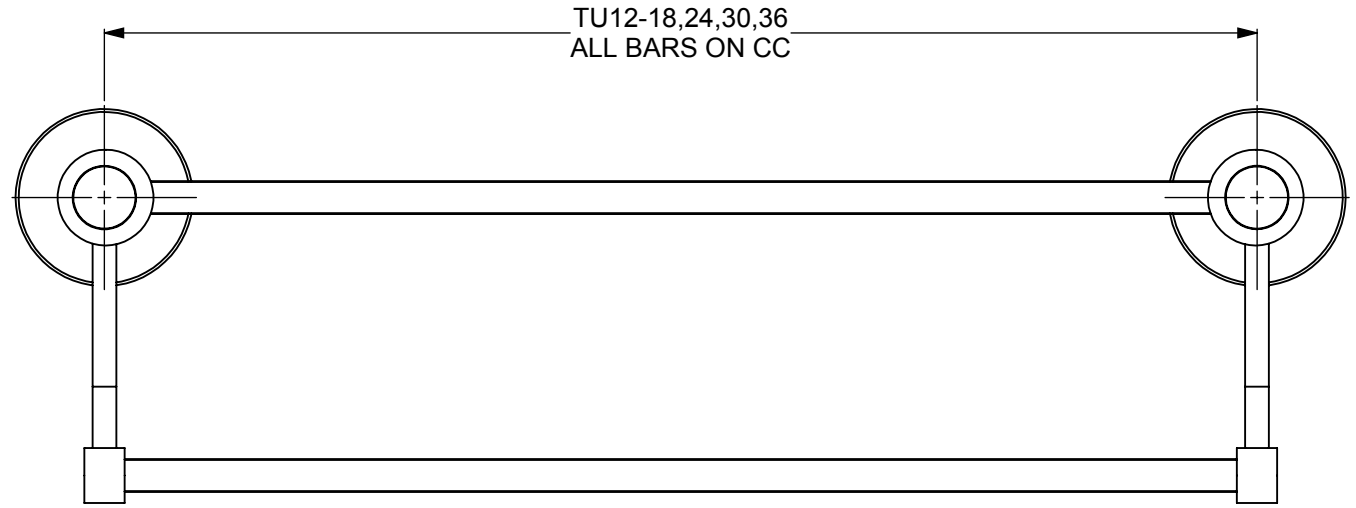
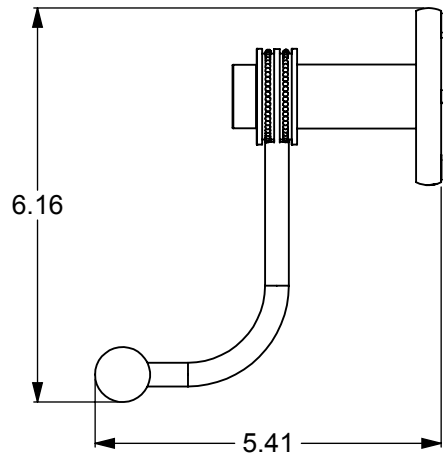
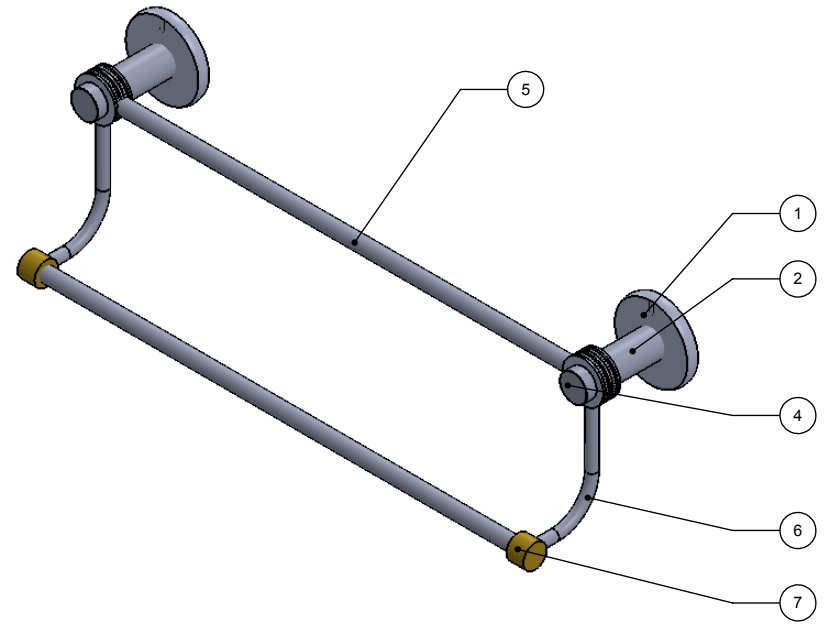


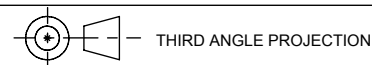
1	BPRD	BASE	2
2	TU1-2	TUBE	2
3	RGDTZ	CONNECTOR	2
4	Card-1	END LOCK	2
5	TU1-18,24,30,36	TUBE	2
6	HKTT	TUBE PIPE	2
7	HBBTT-78	HUB	2



NOTE:
1. UNIT IS IN INCHES

UNLESS OTHERWISE STATED	
.X	±.3mm
.XX	±.15mm
.XXX	±.008mm

COPYRIGHT © Allied Brass 2016



DRAWN	1-17-17	I.M	MATERIAL:	BRASS	FINISH	TBD
CHECKED	1-17-17	P.D	DESCRIPTION:		QUANTITY	TBD
APPROVED	1-17-17	R.A	TOWEL BAR		DRAWING No.	REV
					9072D	0
				SCALE	1:3	SHEET: 01 A4