

## DESCRIPTION

- Brass construction
- 1/2" CC, IPS or PEX Expansion connections (with 1/4 turn)
- Pressure balancing, four port, cycle valve

## OPERATION

- Adjustable temperature limit stop to control maximum hot water temperature
- Pressure balancing mechanism maintain selected discharge temperature to  $\pm 3.6^{\circ}\text{F}$

## CARTRIDGE

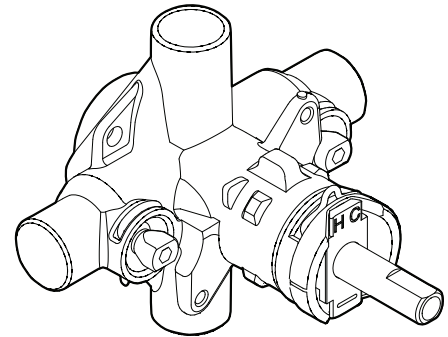
- 1222HD brass cartridge design
- Brass construction stainless steel materials
- Accommodates back to back installations

## STANDARDS

- Third party certified to: ASME A112.18.1/CSA B-125.1 and all applicable requirements referenced therein including NSF61/9
- Moen's Posi-Temp® and Moentrol® valves with graphite composite spools combined with Moen's Eco-performance showerheads meet the performance requirements of pressure and temperature variation of ASSE1016 when tested as low as 1.5 gpm

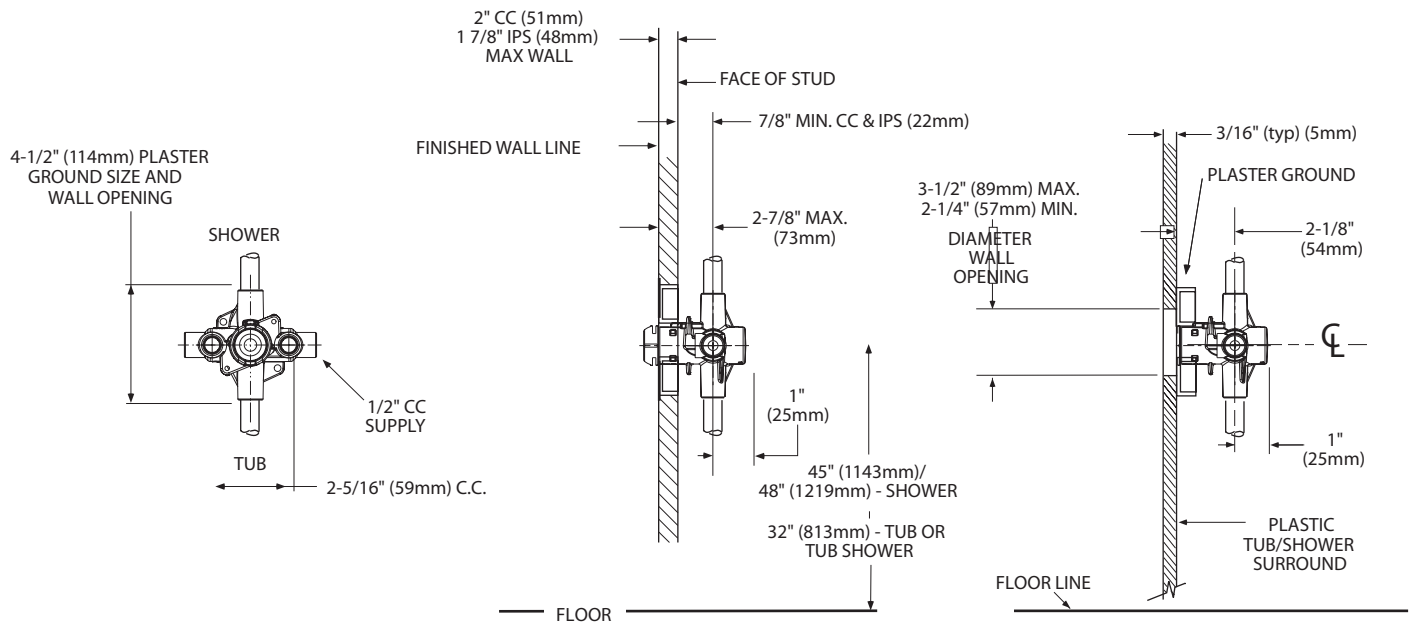
## WARRANTY

- Warranted for five years against material or manufacturing defects



## POSI-TEMP® VALVE Pressure-Balancing Valve with 1/4 Turn Stops

**Models:** 8370HD (CC) without 1/4 Turn Stops,  
8371HD (CC), 8372HD (IPS),  
8375HD (PEX Expansion)



## CRITICAL DIMENSIONS

(DO NOT SCALE)