



4700 W. 160th St.
Cleveland, Ohio 44135
Ph: (800) 321-9532
Fax: (800) 321-9535
www.oatey.com

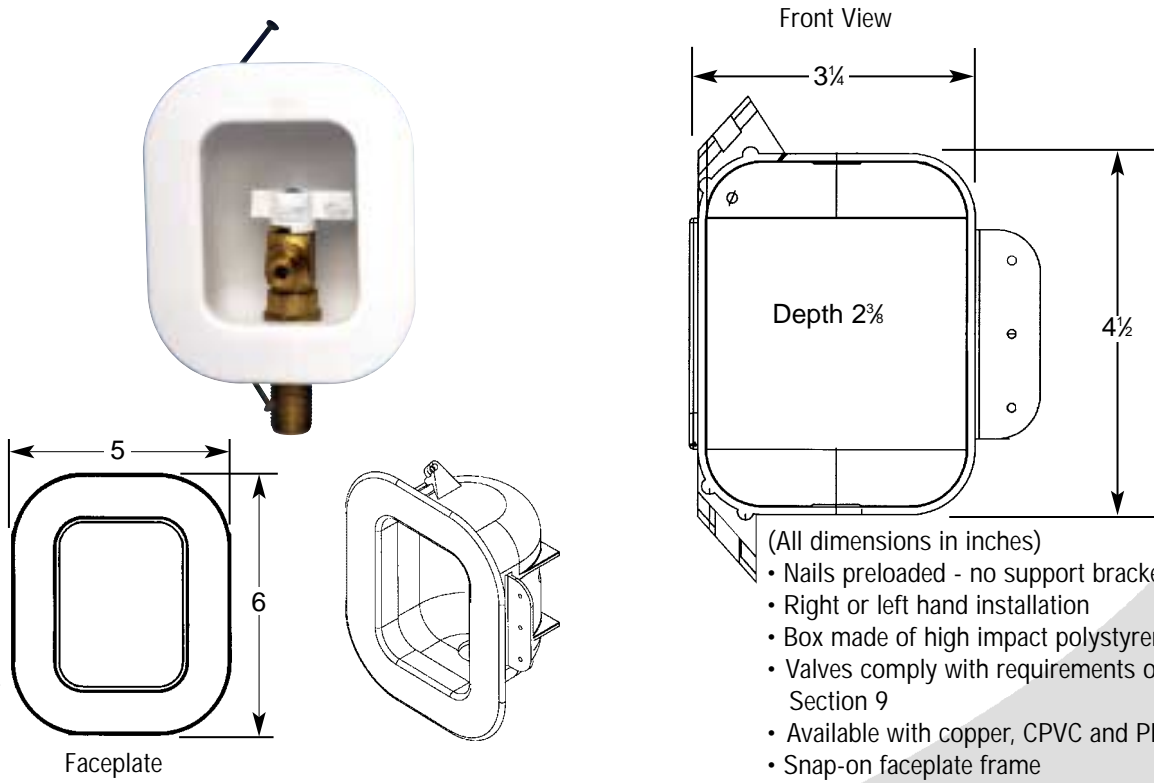
I2K® Ice Maker Box with Nails



SUBMITTAL SPECIFICATION

Engineering Specification: Oatey Ice Maker boxes can be used in commercial or residential applications which require supply valves recessed into the wall.

Job Reference



✓	Prod. No	Description
	38573	1/4 Turn Brass Hammer Ball Valve - F2080 PEX
	38580	1/4 Turn Brass Hammer Ball Valve - Copper Sweat
	38581	1/4 Turn Brass Hammer Ball Valve - Copper Sweat - Display Box
	38582	1/4 Turn Brass Hammer Ball Valve - CPVC
	38583	1/4 Turn Brass Ball Valve - ASTM F1807 PEX
	38584	1/4 Turn Brass Hammer Ball Valve - ASTM F1960 PEX
	38586	1/4 Turn Brass Ball Valve - Copper Sweat
	38587	1/4 Turn Brass Ball Valve - Copper Sweat - Display Box
	38596	1/4 Turn Brass Ball Valve- F2080 PEX - Standard Pack
	38597	1/4 Turn Brass Ball Valve - 3/8" PEX
	38606	1/4 Turn Brass Ball Valve - ASTM F1960 PEX - Contractor Pack (12 per)
	38609	1/4 Turn Brass Ball Valve - ASTM F1974 PEX - Contractor Pack (12 per)
	38610	1/4 Turn Brass Ball Valve - CPVC - Standard Pack (6 per)
	38611	1/4 Turn Brass Ball Valve - Copper Sweat - Standard Pack (6 per)
	38612	1/4 Turn Brass Ball Valve - Copper Sweat - Contractor Pack (12 per)
	38613	1/4 Turn Brass Ball Valve - PEX - Standard Pack (6 per)
	38614	1/4 Turn Brass Ball Valve - CPVC - Contractor Pack (12 per)
	38615	1/4 Turn Brass Ball Valve - ASTM F1807 PEX - Contractor Pack (12 per)
	38617	North American Boiler Drain Valve - Copper Sweat - Standard Pack (6 per)
	38618	1/4 Turn Brass Ball Valve - Copper Sweat - Tract Pack (6 per)
	38619	Plain Box - Standard Pack (6 per)
	38597	1/4 Turn Brass Ball Valve - 3/8" PEX-Standard Pack (6 Per)
	38596	1/4 Turn Brass Ball Valve - F2080 PEX - Standard Pack (6 Per)

Valves meet ASME A112.18.1



Data is subject to manufacturing tolerances.

Visit www.oatey.com for updates.

✓ Accessories		
	38622	Plastic Faceplate, 1" deep, for I2K and S2K
	3862	Plastic Faceplate, 1/2" deep, for I2K and S2K