

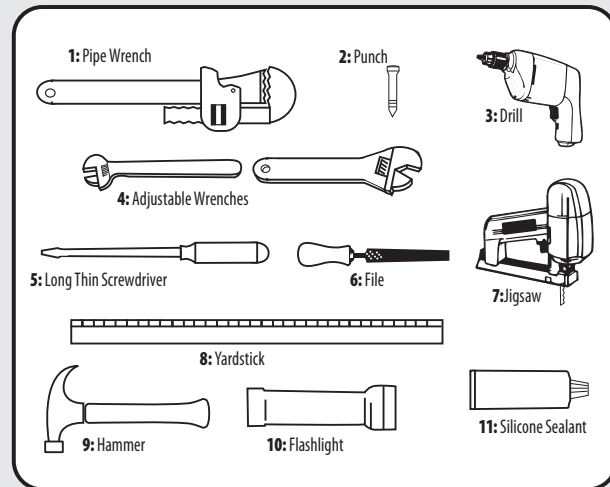


## REQUIRED TOOLS

The few tools required are not specialized or expensive. All are probably in your tool box or your neighbors. Here is what you will need:

- |                                   |  |
|-----------------------------------|--|
| 1. Pipe wrench if steel pipe used | 7. Jigsaw                                      |
| 2. Punch                          | 8. Yardstick                                   |
| 3. Drill                          | 9. Hammer                                      |
| 4. (2) Adjustable wrenches        | 10. Flashlight                                 |
| 5. Long thin screwdriver          | 11. Tube of silicone sealant for mounting sink |
| 6. File                           |  |

**Caution: Do not use Plumbers Putty! Plumbers Putty can stain your sink.**



## TOPMOUNT INSTALLATION

### Installation Instructions

Gather the tools listed at the top of this page that are required for replacing a sink.

**Caution: Do not use Plumbers Putty! Plumbers Putty can stain your sink.**

#### 1 Step One: Remove the Old Sink

Leave the faucet and drain outlet in place for now.

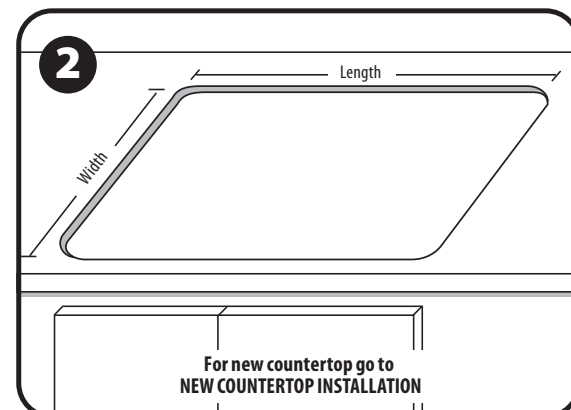
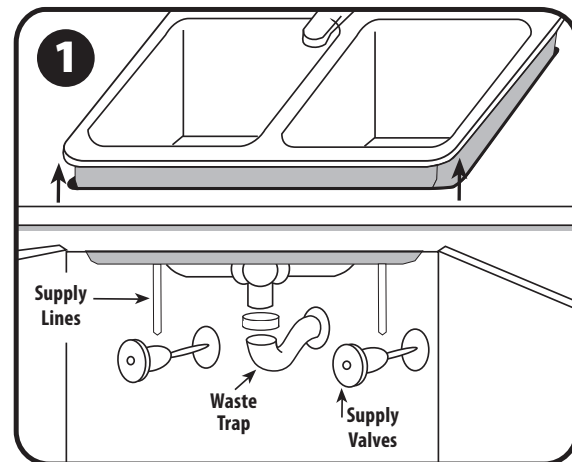
1. Shut off the water supply valves (usually under the sink).
2. Relieve pressure by opening faucet.
3. Disconnect the water supply fittings from the outlet of the water supply valves.
4. Disconnect the drain fitting from the waste trap.
5. Remove frame or rim fasteners around underside of old sink.

6. Lift out sink with faucet and drain fitting in place.

7. If you are installing a new countertop, go to **NEW COUNTERTOP FOR TOPMOUNT INSTALLATION** and follow the instructions provided.

#### 2 Step Two: Check Countertop Opening

Make sure the existing countertop cutout opening is the proper size. Simply set the new sink into the opening. The sink rim should rest evenly on the countertop. If not, a slight adjustment can be made by using a file or a greater adjustment by using a jigsaw or keyhole saw. Care should be taken not to chip or crack the laminated top by aggressive filing or sawing. After final fitting, remove the new sink from cutout.



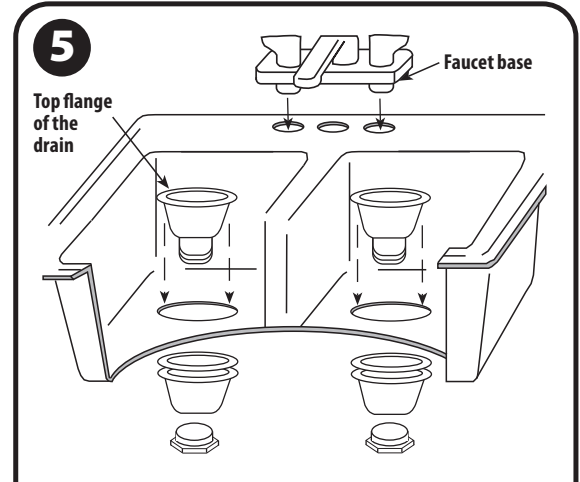
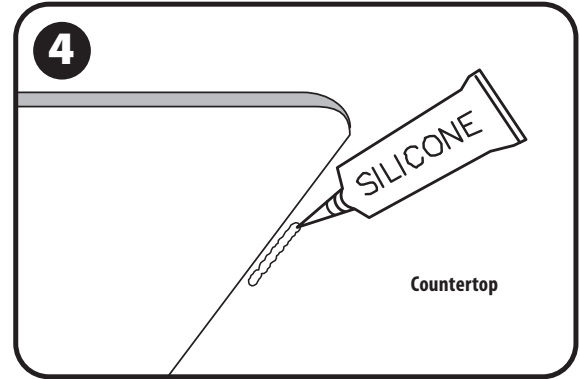
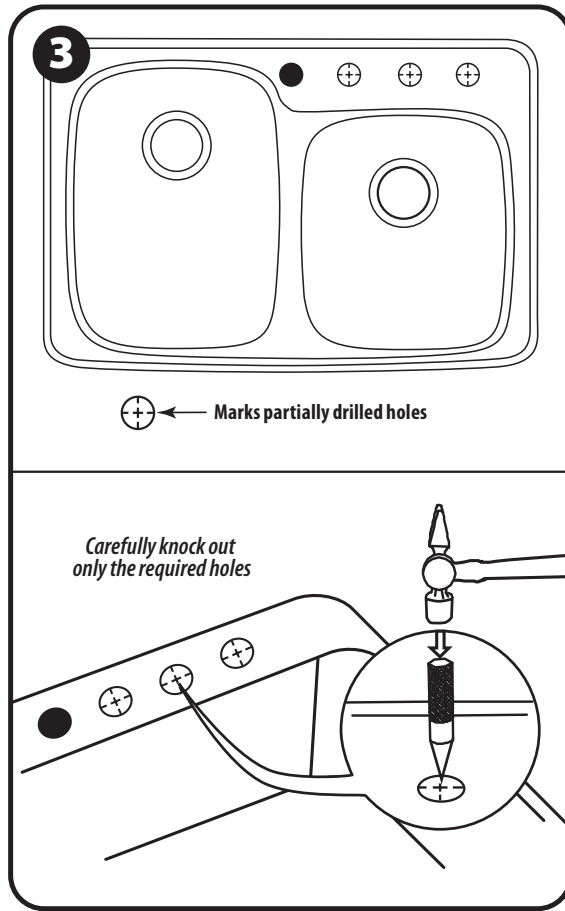
**NOTE: The illustrations are a representation of a sink and may differ from the style of your sink. The instructions still apply to your installation.**

*continues on next page—*

## TOPMOUNT INSTALLATION

continued from page 1

**NOTE:** The illustrations are a representation of a sink and may differ from the style of your sink. The instructions still apply to your installation.



### 3 Step Three: Knocking Out Faucet/Accessory Holes (Must be done before installing sink)

If your sink already has the proper number of holes needed, you can proceed to Step Four. If additional holes need to be knocked out, place the sink upright on a stable workstation (a workbench or the floor). Do NOT place the sink in the countertop to knock out the holes, as damage could occur such as cracking or breakage. Locate the round stickers on the ledge of the sink. These stickers represent the locations of the partially drilled holes. With a hammer and punch or nailset, you can knock out the partially drilled holes needed for faucet and accessories. You will then use a file (ex: rattail type) to smooth away any rough surface in the holes. *Note: any additional holes beyond the partially drilled ones noted on this sink are considered modifications and any problems associated with these holes are not covered by the warranty.*

### 4 Step Four: Seal Countertop

Place a thin bead of silicone sealant around the perimeter of countertop cutout. This will ensure that the sink is completely sealed to the countertop.

**Caution:** Do not use Plumbers Putty! Plumbers Putty can stain your sink.

### 5 Step Five: Attach Faucet and Accessories

To simplify installation, we recommend the installer attach faucets, strainers and accessories at this time.

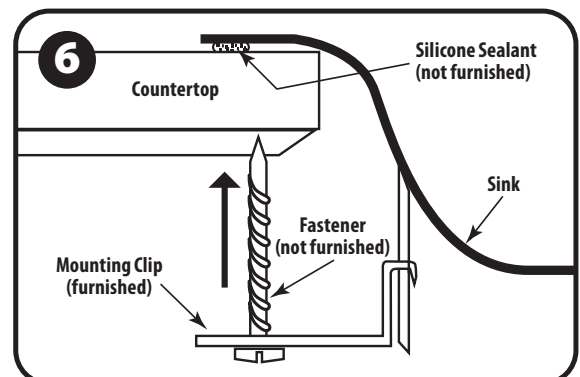
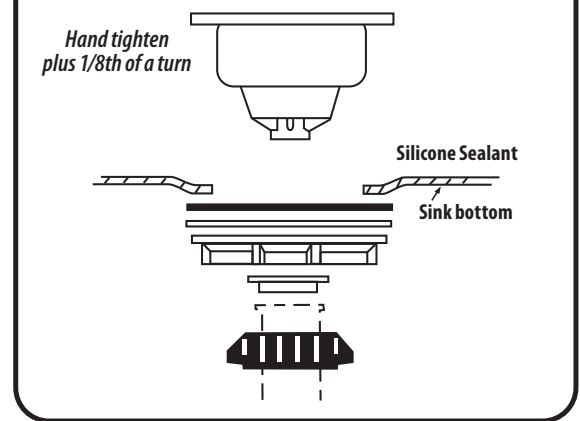
When fitting the drain to the sink, take extra care not to overtighten. Overtightening can add a mechanical stress in the region of the drain hole which could damage or crack the sink. We recommend the screw fitting be hand tight plus one eighth turn.

**Caution:** Do not use Plumbers Putty! Plumbers Putty can stain your sink.

### 6 Step Six: Mounting Brackets

Assemble the mounting clips and bolts as shown in the diagram. Our tests have shown that the six clips provided are more than adequate to hold your sink in place until the sealant applied in Step Four is dry.

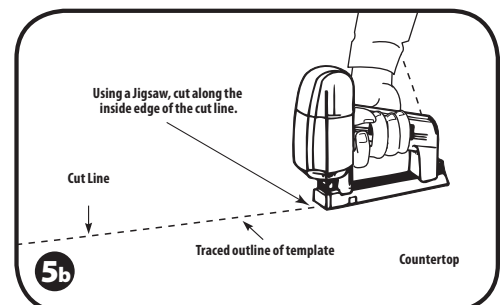
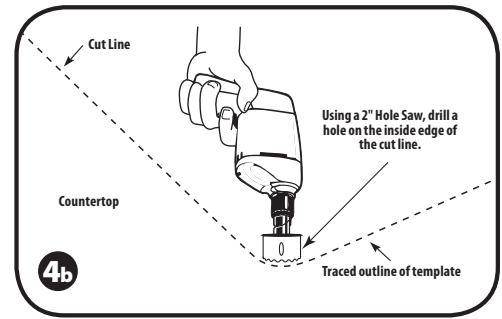
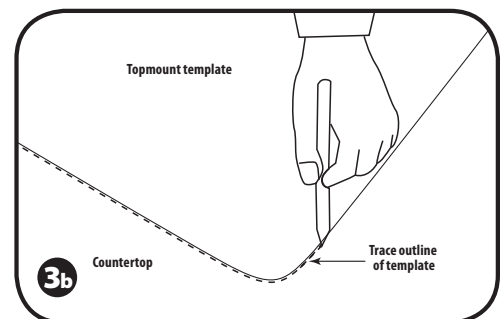
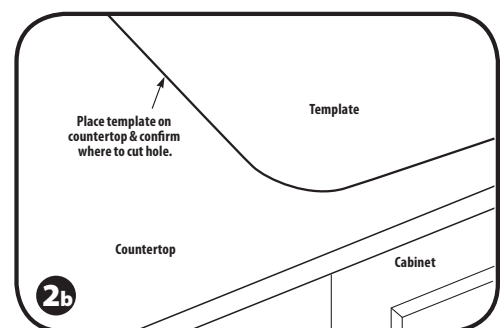
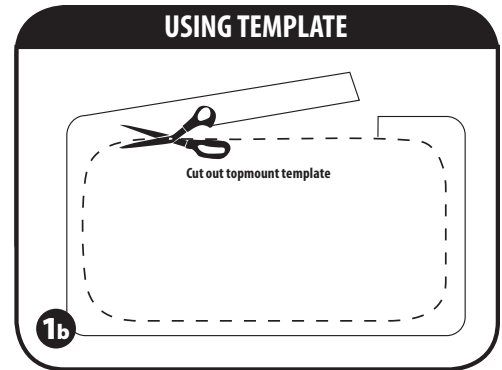
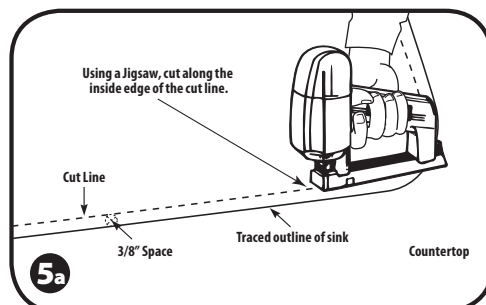
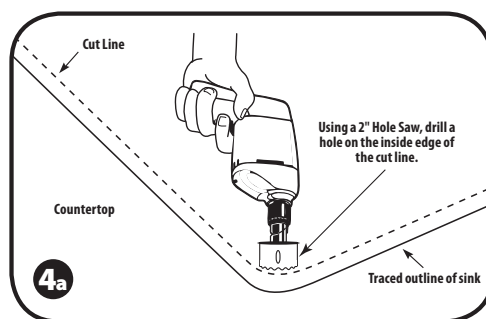
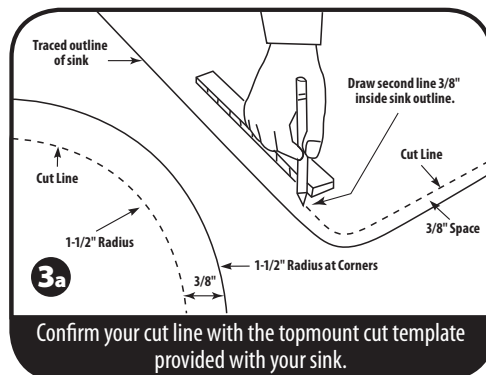
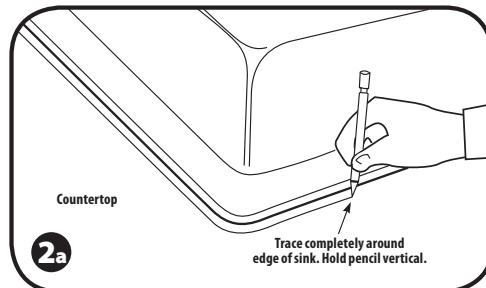
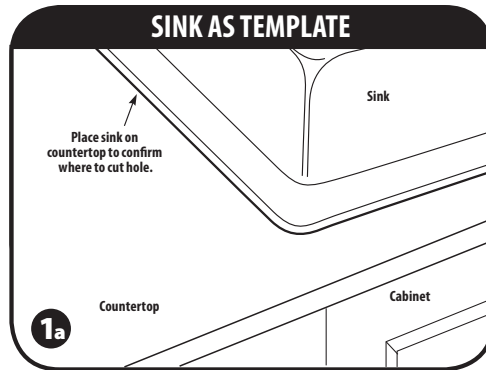
### 7 Step Seven: Hook up plumbing, check for leaks.



# NEW COUNTERTOP FOR TOPMOUNT INSTALLATION

If you are installing a new countertop along with your new sink, it is easier to cut out and adjust fitting prior to securing countertop to the base cabinets. We recommend comparing the template provided to the sink before cutting the countertop. (For natural stone or a solid surface material like granite, marble, Corian® or Quartz; sink opening should be cut by a professional.)

Before marking or cutting countertop, use the sink and template to determine sink position. A cutting mistake will be costly.



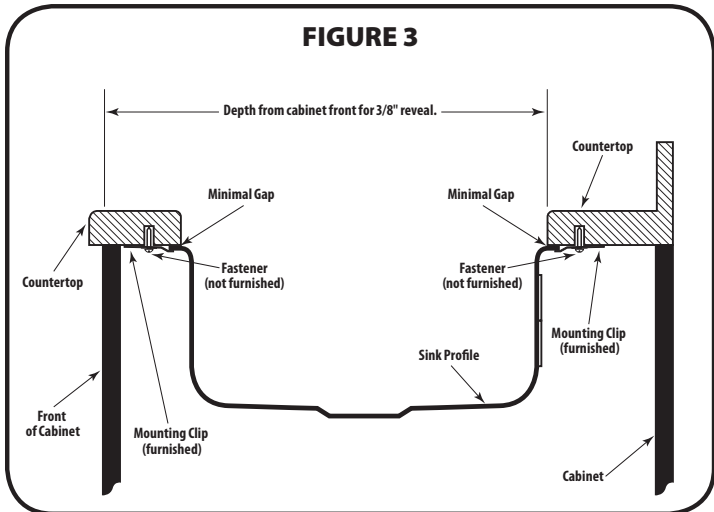
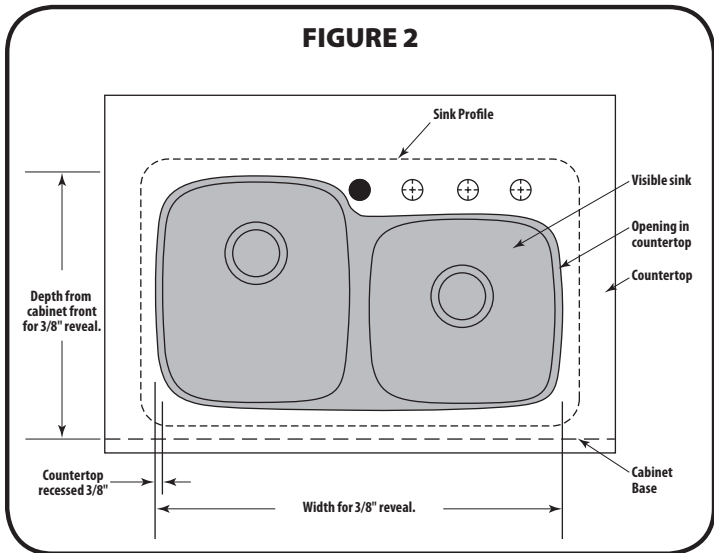
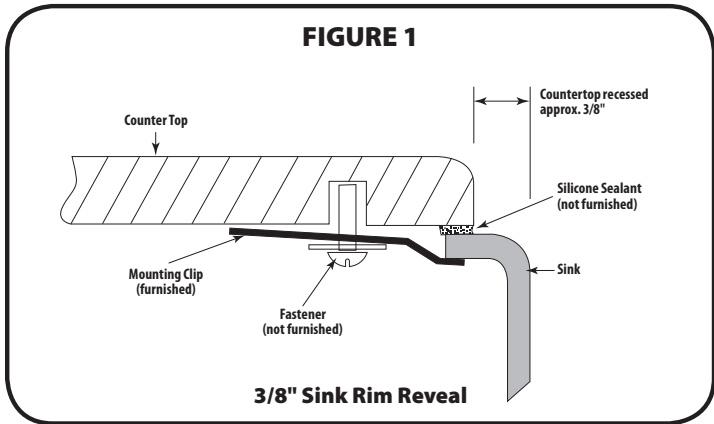
**NOTE:** The illustrations are a representation of a sink and may differ from the style of your sink. The instructions still apply to your installation.

Corian® is a registered trademark of DuPont™

# UNDERMOUNT INSTALLATION

**Professional Installation Recommended:** Only use natural stone or a solid surface material like granite, marble, Corian® or Quartz. Have sink and accessory openings cut by a professional. A cutting mistake will be costly. (We recommend comparing the template provided to the sink before cutting the countertop.)

**NOTE:** The illustrations are a representation of a sink and may differ from the style of your sink. The instructions still apply to your installation.



Corian® is a registered trademark of DuPont™.

# CARE AND MAINTENANCE

Your new Granite sink is an extremely tough and resilient material that will last a lifetime of normal usage. To keep its good looks and sparkling finish follow these simple guidelines.

## Cleaning

- Most stains incurred during normal daily use can be washed away with water and a mild cleaner such as COMET®, AJAX®, BON AMI®, BAR KEEPERS FRIEND®, SOFT SCRUB® and a green SCOTCH BRITE™ pad.
- Some very stubborn stains may require a dilute solution of bleach. DO NOT leave concentrated bleach soaking in your sink. (This could cause your sink to discolor).
- Aluminum kitchen utensils and pots and pans may leave a silver mark on your sink. These marks can easily be removed with an abrasive cleaner or a SCOTCH BRITE™ pad. Hard water deposits can be removed with an abrasive cleaner, vinegar or lemon juice.
- To prevent staining and discoloration of your sink always rinse your sink after use with clean warm water.

## Maintenance

- Your Granite sink is resistant to normal household detergents. However, avoid prolonged exposure to paint strippers, caustic soda, descalers and nail varnish. These items could cause your sink to discolor.
- Do not use wire wool or steel soap pads as steel particles can become embedded in your sink and rust.
- Your sink will withstand temperatures of up to 550 degrees F. Most accessories such as wire baskets will not withstand temperatures that extreme and may melt.
- Always rinse your sink with warm clean water after use. If you have hard water, you should also wipe your sink dry.
- **Periodically wipe down sink with vegetable oil to repel mineral and calcium deposits.**

# LIMITED LIFETIME WARRANTY

Products are warranted to be free from defects in materials and workmanship for the following period: from the date of sale to the user.

This warranty does not cover:

1. Any obligation other than the replacement of defective parts when presented to the selling distributor, together with proof of purchase during the warranty period.
2. Any labor charges, removal and reinstallation expense, freight or postage, or any incidental or consequential damages resulting from any defective product.
3. Products classified as "accessories."

**This warranty shall be voided by any of the following:**

1. Modification to this product.
2. Improper installation, care or maintenance of the product.
3. Use of product for any purpose other than that for which specifically intended.

This warranty supersedes all other warranties, expressed or implied.

The foregoing warranties are exclusive and made only to the Buyer. NO OTHER WARRANTY, WHETHER EXPRESSED, IMPLIED, OR STATUTORY INCLUDING ANY WARRANTY OF MERCHANTABILITY OF FITNESS FOR A PARTICULAR PURPOSE SHALL EXIST IN CONNECTION WITH ANY OF THE GOODS OR SERVICES SUPPLIED HEREUNDER, AND ALL SUCH WARRANTIES ARE HEREBY EXPRESSLY EXCLUDED. No employee, agent or other person is authorized to give any warranties in addition to or different from those herein given to assume any other liability in connection with any of its products except in writing which is signed by an officer and expressly and intentionally gives such warranties or assumes such liability.

Comet® is a registered trademark of Prestige Brands Holdings, Inc. AJAX® is a registered trademark of Colgate-Palmolive Company. Bon Ami® is a registered trademark of The Faultless Starch / Bon Ami Company. Bar Keepers Friend® is a registered trademark of Servaas Laboratories. Soft Scrub® is a registered trademark of The Dial Corporation, A Henkel Company. Scotch Brite™ is a registered trademark of 3M.



[www.frankeconsumerproducts.com](http://www.frankeconsumerproducts.com)