

JP3036DL/TL/SL

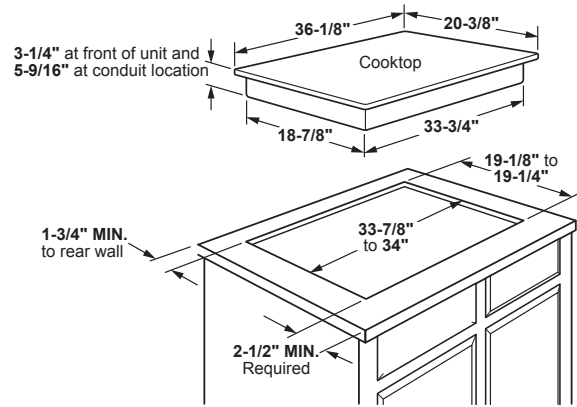
GE® Appliances 36" Built-In Knob Control Electric Cooktop

DIMENSIONS AND INSTALLATION INFORMATION (IN INCHES)

IMPORTANT: Requires a 5" free area between the bottom of the cooktop to any combustible material, i.e., shelving. Free area not required when installing wall oven underneath cooktop. Refer to installation instructions. Requires a 15" minimum from cooktop to adjacent overhead cabinets. Units are furnished with a 48" flexible armored cable.

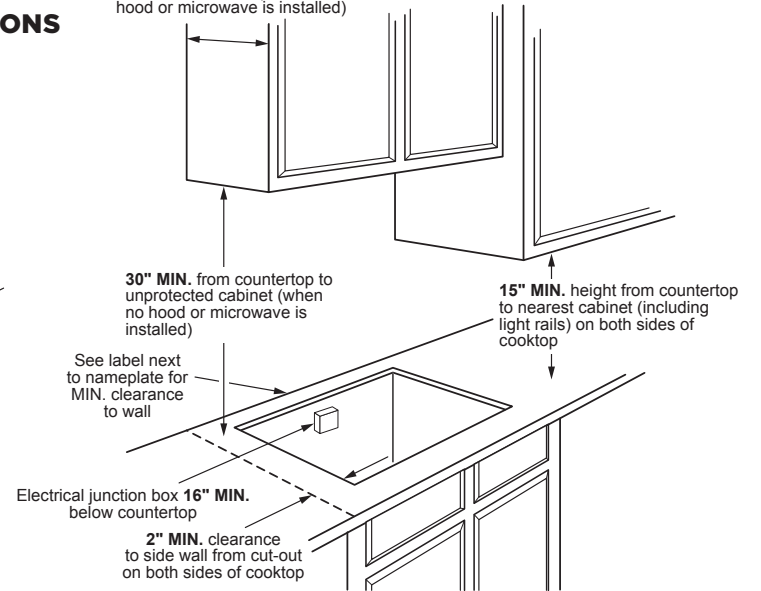
NOTE: 36" Ribbon cooktops are approved for use over select GE 30" Single Wall Ovens and Warming Drawers. Refer to cooktop and wall oven/warming drawer installation instructions packed with product for current dimensional data. If installed with a GE Telescopic Downdraft System, consult both the cooktop and downdraft installation instructions packed with product before installing. Cooktop gas/electric supply may need to be re-routed to install downdraft. The countertop cutout requires 23-1/2" minimum flat countertop surface and 25" minimum total countertop depth. In addition, other clearances to front edge of the countertop must be considered. **Before installing, consult installation instructions packed with product for current dimensional data.**

APPROXIMATE COOKING DIMENSIONS

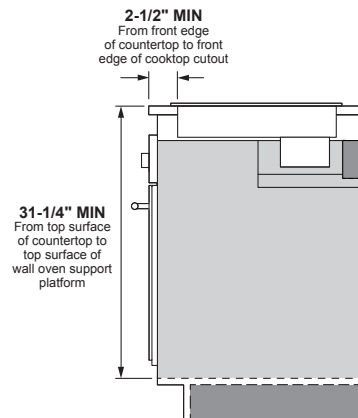


To insure accuracy, it is best to make a template when cutting the opening in the counter

13" MAX. depth of unprotected overhead cabinets (when no hood or microwave is installed)



INSTALLATION ABOVE A WALL OVEN



VOLTAGE (60HZ AC)	240V	208V
CONNECTED LOAD (MAX.)	9.0kW	7.1kW
CURRENT DRAW (MAX.)	37.5 Amps	34.3 Amps
RECOMMENDED CIRCUIT BREAKER[†]	40 Amps	40 Amps

[†]**NOTE:** Check local codes for required breaker size.



For answers to your Monogram, GE Café™ Series, GE Profile™ Series or GE Appliances product questions, visit our website at geappliances.com or call GE Answer Center® Service, 800.626.2000.



JP3036DL/TL/SL

GE® Appliances 36" Built-In Knob Control Electric Cooktop

FEATURES AND BENEFITS

Five radiant cooking elements – Cook foods quickly and evenly on this sleek, glass surface

12"/9" dual element – Use different pan sizes on this single, 2,700-watt flexible element

8" Power Boil element – Get rapid heat from this powerful 2,500-watt element

Fifth element warming zone – Provides low-heat capability for foods

Melt setting – Gently melt delicate foods without burning or scorching

Hot surface indicator lights – Know when elements are too hot to touch with a quick glance

Cooktop “On” indicator light – A light lets you know when an element is active

Model JP3036DLBB – Black on black

Model JP3036TLWW – True white

Model JP3036SLSS – Stainless steel

GUARANTEED FIT

Replacing a similar cooktop from GE Appliances or another brand? GE cooktops are guaranteed for an exact fit or GE Appliances will pay up to \$100 toward modifications

Visit geappliances.com for more info

