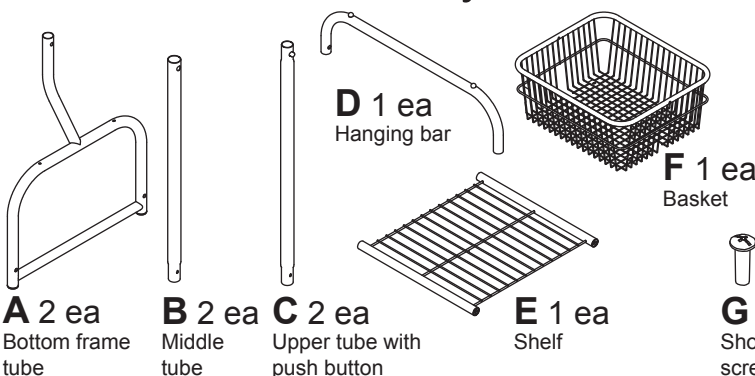


6894-3964-BB Laundry Butler ©2011 Whitmor, Inc.

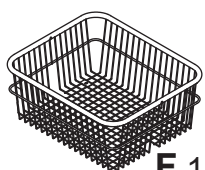


A 2 ea
Bottom frame tube

B 2 ea
Middle tube

C 2 ea
Upper tube with push button

D 1 ea
Hanging bar



F 1 ea
Basket



E 1 ea
Shelf

G 6 ea
Short screw

H 6 ea
Long screw

I 2 ea
Wheel

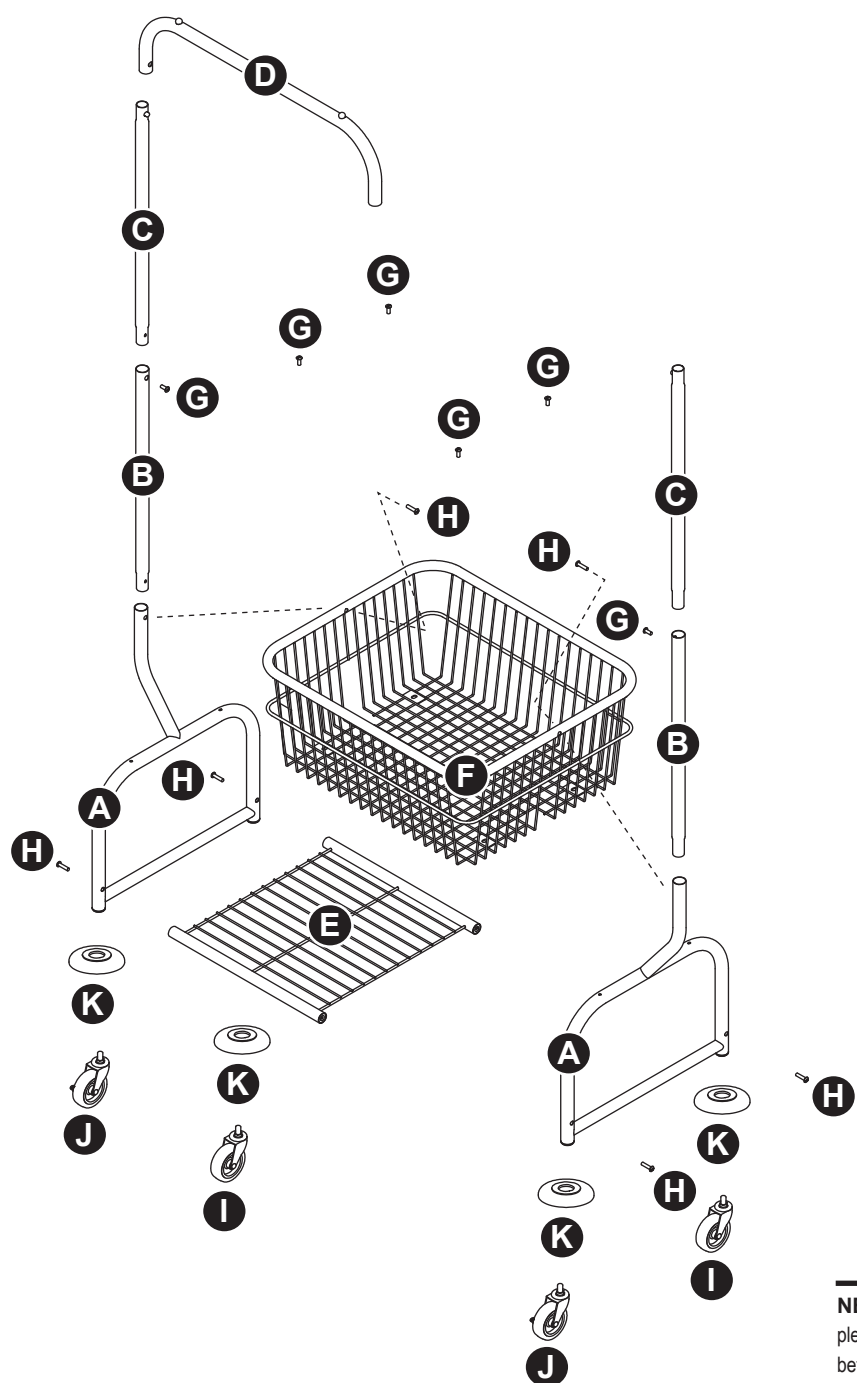
J 2 ea
Locking wheel

K 4 ea
Bumper

This product is intended for storing laundry.

Assembly Time:
Less than one hour.

Tools Needed: You will need a Phillips screwdriver.



Part	Reference
A	F7346
B	F7347
C	F7348
D	F7349
E	F7350
F	F7351
G	F7352
H	F7353
I	F7356
J	F7357
K	F7358

MADE IN CHINA



8680 Swinnea Road • Suite 103 • Southaven, MS • 38671

NEED HELP? For help with assembly, or if you are missing a part, please call Whitmor's Customer Service Department, 1-888-944-8667 between 8 a.m. and 4:30 p.m. (Central Standard Time) Monday through Friday. Or email: customer_service@whitmor.com. Visit us online at www.whitmor.com