

POWERSMART[®]

INSTRUCTION MANUAL

Electric Chipper
Shredder

Model # PS10



Have product questions or need technical support? Please feel free to contact us!

Website: www.Amerisuninc.com

Toll free: 1-800-791-9458 M-F 8-4 CST

Email: support@amerisuninc.com

CONTENTS

Technical data.....	3
General safety rules.....	4
Specific safety rules for chipper shredder.....	6
Electrical information.....	7
Knowing your chipper shredder.....	9
Assembly and adjustments.....	10
Operation.....	13
Maintenance.....	15
Troubleshooting.....	16
Exploded view.....	17
Parts list.....	18
Warranty.....	19

TECHNICAL DATA

Chipper Shredder	Model # PS10
Motor:	120V, 60 Hz, 15A
Speed:	4500 RPM (no load)
Cutting capacity:	1 5/8" Dia.
Overall height:	37 inches
Weight:	33 lb.

Warning! We strongly recommend that this item not be modified and/or used for any application other than that for which it was designed. If you have any questions relative to its application, do not use the equipment until you have consulted us and we have advised you.

Contact PowerSmart at (800)791-9458 M-F 8am-5pm CST

GENERAL SAFETY RULES

Safety is a combination of common sense, staying alert, and knowing how your chipper shredder works. **SAVE THESE SAFETY INSTRUCTIONS.**



WARNING: To avoid mistakes that could cause serious injury, do not plug in the chipper shredder until the following steps have been read and understood.

1. **READ** and become familiar with this entire instruction manual. **LEARN** the tool's applications, limitations, and possible hazards.
2. **AVOID DANGEROUS CONDITIONS.** Do not use power tools in wet or damp areas or expose them to rain. Keep work areas well-lit.
3. **DO NOT** use power tools in the presence of flammable liquids or gases.
4. **ALWAYS** keep your work area clean, uncluttered, and well-lit. **DO NOT** work on floor surfaces that are slippery with sawdust or wax.
5. **KEEP BYSTANDERS AT A SAFE DISTANCE** from the work area, especially when the tool is operating. **NEVER** allow children or pets near the tool.
6. **DO NOT FORCE THE TOOL** to do a job for which it was not designed.
7. **DRESS FOR SAFETY.** Do not wear loose clothing, gloves, neckties, or jewelry (rings, watches, etc.) when operating the tool. Inappropriate clothing and items can get caught in moving parts and draw you in. **ALWAYS** wear non-slip footwear and tie back long hair.
8. **WEAR A FACE MASK OR DUST MASK** as operation produces dust.



WARNING: Dust generated from certain materials can be hazardous to your health. Always operate the chipper shredder in a well-ventilated area and provide for proper dust removal.

9. **ALWAYS** remove the power cord plug from the electric outlet when making adjustments, changing parts, cleaning or working on the tool.
10. **KEEP GUARDS IN PLACE AND IN WORKING ORDER.**
11. **AVOID ACCIDENTAL START-UPS.** Make sure the power switch is in the OFF position before plugging in the power cord.
12. **REMOVE ADJUSTMENT TOOLS.** Always make sure all adjustment tools are removed from the chipper shredder before turning it on.

GENERAL SAFETY RULES (CONTINUED)

13. **NEVER LEAVE A RUNNING TOOL UNATTENDED.** Turn the power switch to OFF. Do not leave the tool until it has come to a complete stop.
14. **NEVER STAND ON A TOOL.** Serious injury could result if the tool tips or is accidentally hit. **DO NOT** store anything above or near the tool.
15. **DO NOT OVERREACH.** Keep proper footing and balance at all times. Wear oil-resistant rubber-soled footwear. Keep the floor clear of oil, scrap, and other debris.
16. **MAINTAIN TOOLS PROPERLY.** **ALWAYS** keep tools clean and in good working order. Follow instructions for lubricating and changing accessories.
17. **CHECK FOR DAMAGED PARTS.** Check for alignment of moving parts, jamming, breakage, improper mounting, or any other conditions that may affect the tool's operation. Any part that is damaged should be properly repaired or replaced before use.
18. **MAKE THE WORKSHOP CHILDPROOF.** Use padlocks and master switches and **ALWAYS** remove starter keys.
19. **DO NOT** operate the tool if you are under the influence of drugs, alcohol, or medication that could affect your ability to use the tool properly.
20. **USE SAFETY GOGGLES AT ALL TIMES**—that comply with ANSI Z87.1. Normal safety glasses only have impact resistant lenses and are not designed for safety. Wear a face or dust mask when working in a dusty environment. Use ear protection, such as plugs or muffs, during extended periods of operation.



SPECIFIC SAFETY RULES FOR CHIPPER SHREDDER



WARNING: Do not operate your chipper shredder until it is completely assembled and installed according to the instructions.

1. Before starting the chipper shredder, make sure that the hopper inlet is empty.
2. Keep your face and body away from the opening.
3. Do not allow hands or any other part of the body or clothing near the hopper or discharge chute.
4. Never put your hands into the hopper while the chipper shredder is running. Always use the paddle supplied with your shredder to push items into the hopper.
5. Do not try to force objects larger than the recommended diameter of 1-5/8" into the hopper.
6. Keep proper balance and footing at all times. Do not overreach. Never stand at a higher level than the base of the tool when feeding material into chipper shredder.
7. Always stand clear of the discharge zone when operating the chipper shredder. Never reach under the shredder until it has come to a complete stop.
8. When feeding material into the chipper shredder be careful to remove pieces of metal, rocks, bottles, cans or other foreign objects that may damage the blades.
9. If the cutting mechanism strikes a foreign object or if the chipper shredder should start making any unusual noise or vibration, turn it off and allow it to come to a complete stop. Disconnect from power supply and take the following steps:
 - Inspect for damage;
 - Check for and tighten any loose parts.



WARNING: Never reach into the hopper until the chipper shredder has come to a complete stop and is unplugged. The blades will continue to rotate for a few seconds after the shredder is turned off.

10. Do not allow processed material to build up in the discharge zone; this may prevent proper discharge and can result in kickback of material through the hopper.



WARNING: Never put your hands near the discharge chute. Failure to heed the warning could result in serious injury.

11. If the shredder becomes clogged, turn it OFF and disconnect from power supply before clearing debris. Keep the power source clear of debris and other accumulations to prevent damage to the power source.
12. Keep all guards and deflectors in place and in good working condition.
13. Do not operate the chipper shredder on a paved or gravel surface where ejected material could cause injury.
14. Turn off the chipper shredder and disconnect it from the power supply whenever you leave the work area.
15. Do not tilt the chipper shredder while it is running.
16. Never reach into the hopper until the chipper shredder has come to a complete stop and has been disconnected from the power supply.

ELECTRICAL INFORMATION

DOUBLE INSULATION

Double insulation is a concept in safety in electric power tools that eliminates the need for the usual three-wire grounded power cord. All exposed metal parts are isolated from the internal metal motor components with protecting insulation. Double insulated tools do not need to be grounded.

WARNING: The double insulated system is intended to protect the user from shock resulting from a break in the tool's internal insulation. Observe all normal safety precautions to avoid electrical shock.

NOTE: Servicing a product with double insulation requires extreme care and knowledge of the system. This should be performed only by a qualified service technician. For service, we suggest you return the product to your nearest authorized service center for repair. Always use original replacement parts intended for your particular model of tool when servicing.

WARNING: Do not expose to rain or use in damp locations.

ELECTRICAL INFORMATION (CONTINUED)

Guidelines for using extension cords

Make sure your extension cord is in good condition. When using an extension cord, be sure to use one heavy enough to carry the current your product will draw. An undersized cord will cause a drop in line voltage resulting in loss of power and overheating. The table below shows the correct size to be used according to cord length and nameplate ampere rating. If in doubt, use the next heavier gauge. The smaller the gauge number, the heavier the cord.

Minimum Gauge for Extension Cords (AWG)
(When using 120 V only)

Ampere Rating		Total Length of Cord in feet			
More Than	Not More Than	25	50	100	150
0	6	18	16	16	14
6	10	18	16	14	12
10	12	16	16	14	12
12	16	14	12	Not Recommended	

Make sure your extension cord is properly wired and in good condition. Always replace a damaged extension cord or have it repaired by a qualified person before using it.

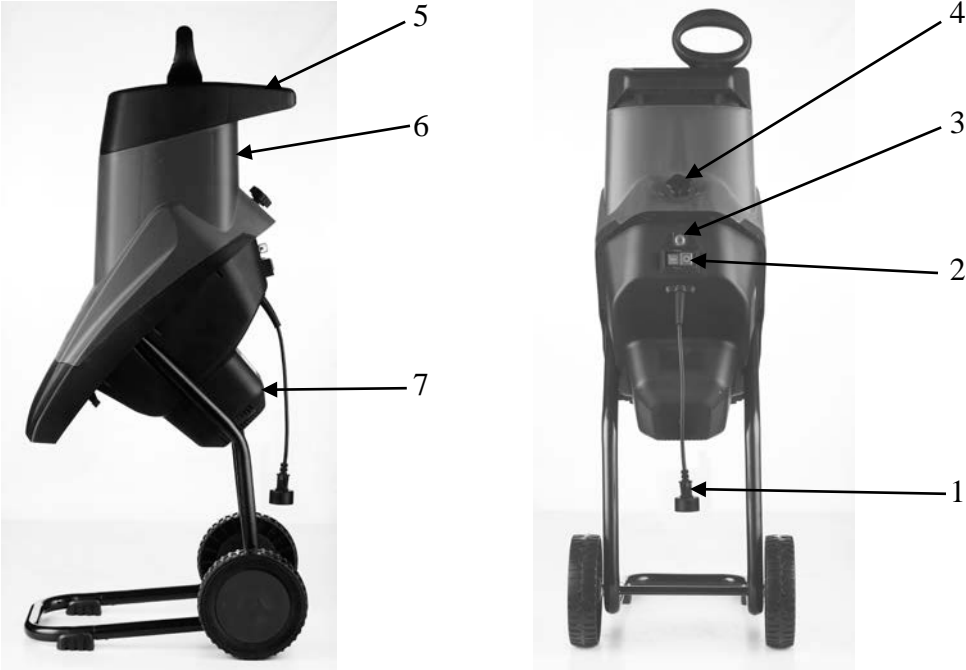
Protect your extension cords from sharp objects, excessive heat and damp or wet areas.

Use a separate electrical circuit for your tools. This circuit must not be less than a #12 wire and should be protected with a 15 A time-delayed fuse. Before connecting the motor to the power line, make sure the switch is in the OFF position and the electric current is rated the same as the current stamped on the motor nameplate. Running at a lower voltage will damage the motor.



WARNING: This tool must be grounded while in use to protect the operator from electric shock.

KNOWING YOUR CHIPPER SHREDDER

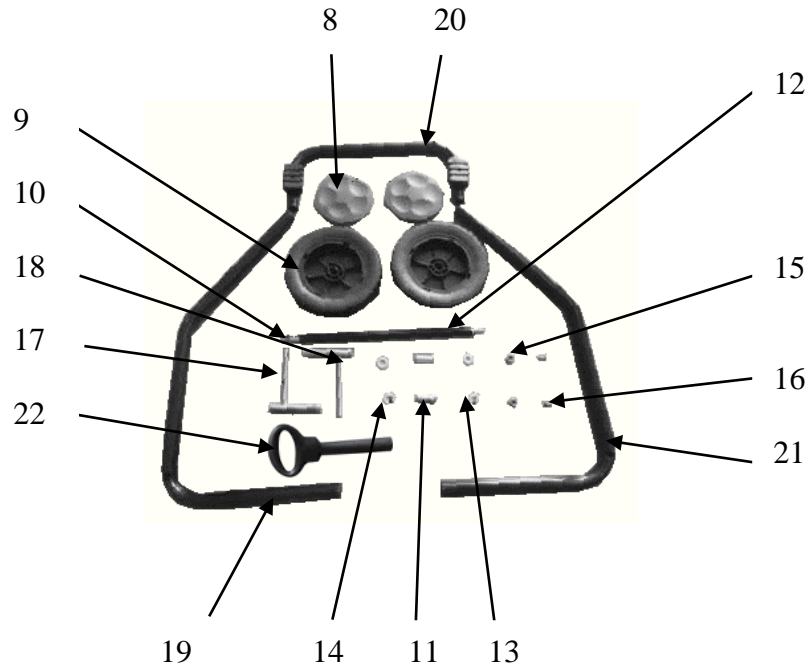


- 1 Power cord
- 2 ON/OFF switch
- 3 Overload protector
- 4 Hopper locking knob
- 5 Feeding chute / Hopper
- 6 Housing cover
- 7 Discharge chute

ASSEMBLY AND ADJUSTMENTS

Unpacking (Fig. 2)

Unpack the chipper shredder and all its parts, and compare against the list below. Do not discard the carton or any packaging until the chipper shredder is completely assembled.



8	Wheel cover x2
9	Wheel x2
10	Wheel axle
11	Wheel spacer x2
12	Axle tube
13	Washer x2
14	Washer x2
15	Locknut x2

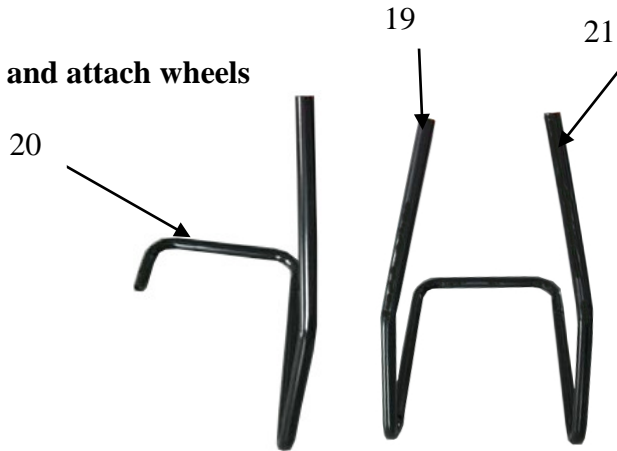
16	Fixed screw x2
17	Wrench
18	Wrench with hex key
19	Left leg
20	End frame
21	Right leg
22	Paddle

ASSEMBLY AND ADJUSTMENTS (CONTINUED)

Tools needed for assembly

- Adjustable wrench
- Screwdriver

Setup the stand and attach wheels



1. Insert the end frame (20) into each hole of the two legs (19 & 21).
2. Position the axle tube (12) between the two legs (19 & 21).
3. Slide the wheel axle (10) through the hole in one of the legs (19) then through the axle tube (12) and out through the hole in the other leg (21).



4. Position the washers (14) and wheel spacer (11) on each end of the axle.
5. Push the wheels (9) onto each end of the wheel axle (10).
6. Position the washers (13) and the locknuts on each end of the wheel axle and tighten both the wheel nuts using a wrench.



NOTE. The wheels must be fitted the correct way round to allow the nuts to tighten on each end of the axle.

7. Press the wheel covers into the wheels to cover the ends of the axles. You may use a hammer to seat them securely over the axles.
8. Lock the end frame (20) to 2 legs (19 & 20) using fixed screws (16).

Attach the stand to shredder main body

Turn the main body upside down, insert the two ends of the stand assembly into the housing.

OPERATION

Starting

Make sure the switch is in the OFF position. Plug the chipper shredder into a suitable outlet using an approved extension cord if necessary. Push the ON/OFF switch to “ON” to turn the chipper shredder on.

Stopping

Push the ON/OFF switch to “OFF” to turn the chipper shredder off.



CAUTION: The chipper shredder will not operate if the hopper locking knob is loose.



Hopper locking knob

Overload protection

Your chipper shredder is designed with overload protection. If the shredder is clogged during shredding, the overload protection will cut the power automatically to protect your shredder. Wait at least 1 minute before restarting by first pressing the reset button and then the ON/OFF switch.

Hopper locking knob

The chipper shredder is fitted with a safety interlock switch on the closure between the hopper and main body. The switch is activated when the hopper is securely closed and tightened by the hopper locking knob. When the hopper is opened or not fitted well, the shredder will not run. Always tighten the hopper locking knob by turning it clockwise before operation.

Blades

The blades on the rotary plate are reversible. For quality and safety reasons, we recommend that only identical replacement blades be used should it become necessary to replace them.

Shredding Material



WARNING! Before starting, ensure that the feed inlet is empty.



WARNING! Always wear ear and eye protection and wear gloves during operation.



CAUTION! Longer material standing out from the shredder could lash out when being pulled in by the blades. Keep a safe distance.

CAUTION! When using the chipper shredder and feeding branches into the shredder, sometimes the blades pull the material into the opening. Keep hands at a safe distance.

CAUTION! The ventilation slots must not be covered.

1. Only insert as much material as to prevent blockage of the feeding funnel. Chop chipper waste that has been stored for a few days and is wilted and damp alternately with dry branches. This prevents the cutting blades from blocking up. Widely branched material with leaves must be completely chopped before new material is fed. Make sure that the chopped material can fall freely from the ejection slot.
2. Keep hold of branches while feeding them into the chipper shredder until they are automatically drawn in.
3. Keep to the working speed of the chipper shredder and do not overload it.
4. To protect the chipper shredder from clogging, shred wilted chipper waste that has been left for a few days and shred thin twigs alternately with branches.
5. Before you shred roots, remove any remaining soil and stones from them.
6. Do not shred soft, damp material such as kitchen waste, take it straight to the compost.
7. Keep a few dry branches for the end, as they will help clean the chipper shredder.
8. Only switch the chipper shredder off after all of the shredding material has passed through the discharge chutes. Otherwise, the discharge chutes may jam the next time the shredder is turned on.

MAINTENANCE

WARNING

Prior to inspection or maintenance, turn off power switch and disconnect plug from power source.



WARNING! Always wear gloves when cleaning.

Cleaning chipper shredder

1. Unscrew the hopper locking knob counter clockwise and open the hopper.
2. Clean cutting blades and discharge area and remove wood sticks or objects that may clog the blades.
3. The chipper shredder has two blades that are attached to a rotary plate with two screws. Before any maintenance or cleaning is done on the blades, always turn the switch off and disconnect the plug from the power source.
4. Check blades for damage. Use only identical replacement parts if it becomes necessary to replace them.
5. Return the hopper to its upright position and tighten the knob before operating the chipper shredder.
6. Use only a warm damp cloth and a soft brush to clean your chipper shredder. Always wear safety glasses to protect your eyes during cleaning.

Caution: Never spray water on the chipper shredder or wash it with water. Do not use detergents or solvents as these could cause irreparable damage to your shredder.

7. The fastening screws of the stand assembly should be checked from time to time. Periodically check all nuts, bolts and screws to be sure the shredder is in safe working condition.
8. Make sure the ventilation slots are always kept clean and are free of debris.
9. To protect the chipper shredder from corrosion when storing for a long period, treat the cutting blade with oil.

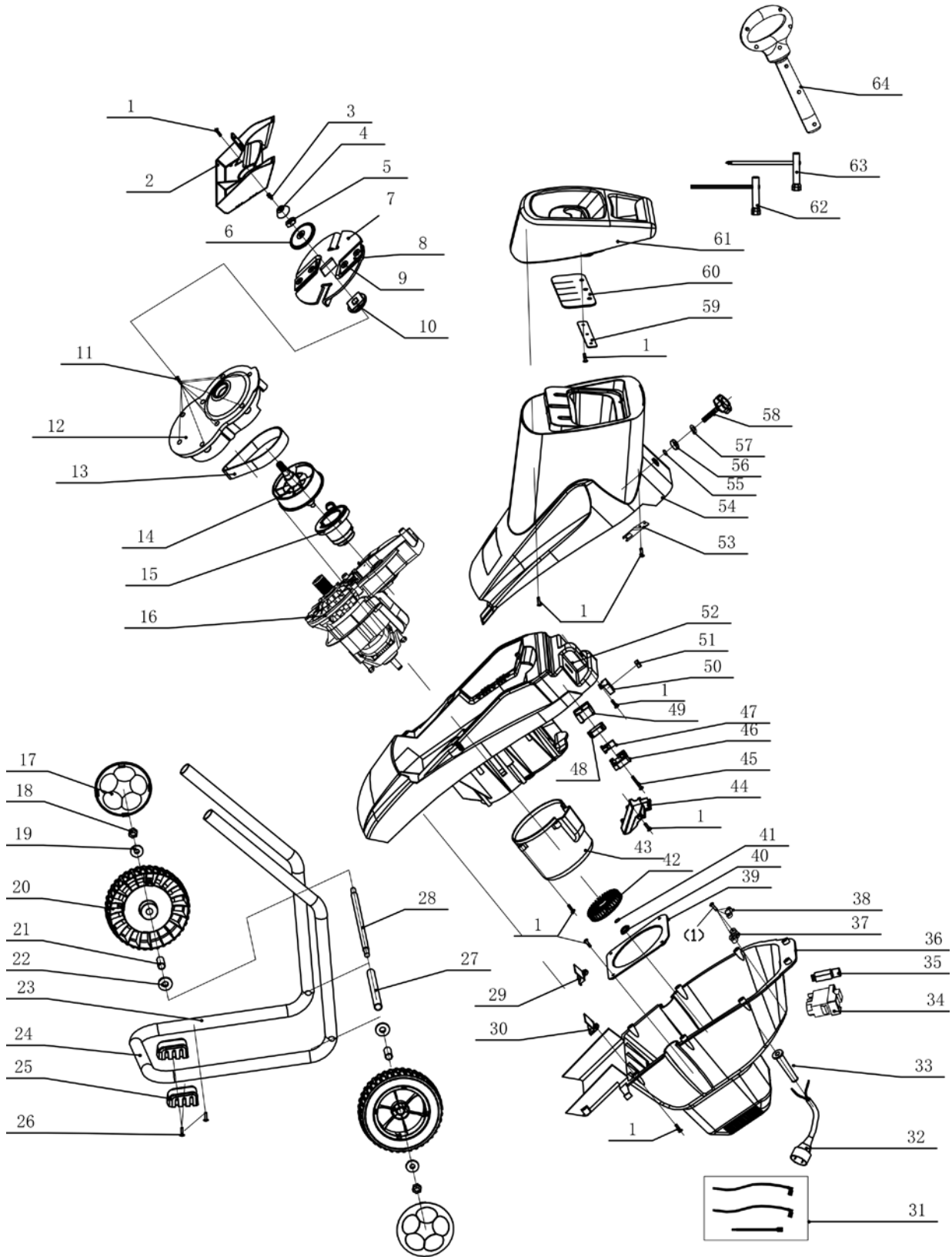
Cutting blade replacement

1. The reversible blade is fixed to the rotary plate with two screws. Before any maintenance or cleaning of the blades, always turn the switch off and disconnect the plug from the outlet.
2. Turn the Hopper Locking Knob counterclockwise until the housing cover can be opened.
3. Lift up the housing cover to expose the two blades.
4. Align the slots on the board, the blade support and the main body and insert a metal rod like a screwdriver into the slots to prevent rotating when removing the blade with the supplied hex key.
5. Remove the old blade. Either reverse the blade so the sharp edge is in the cutting position or insert a replacement blade. Use the same method to replace the other blade.
6. Replace and tighten the two screws to secure the new blade to the support.

Troubleshooting

Problems	Cause	Solution
The motor does not run.	Power failure/unit not plugged into a working receptacle.	Check to make sure unit is plugged into a working outlet.
	The overload protection has responded.	Remove any chips and press the reset button. Wait one minute before pressing the ON/OFF switch to restart the unit.
	The hopper is opened.	Check to make sure the hopper is secured and the lock knob is tightened.
The material to be chopped is not pulled in.	The material is jammed in the feed inlet.	Disconnect the power supply and open the hopper. Pull the material from the feed inlet. Replace the hopper.
	The cutting blade is blocked.	Disconnect the power supply and open the hopper. Open the blade cover. Remove the blocked material and replace the blade cover and hopper.
	The discharge chute is blocked.	Disconnect the power supply and open the hopper. Open the plate of the discharge chute to clear the blocked material.
Blades become worn.		Reverse/Replace the blades.

EXPLODED VIEW



PARTS LIST

Item	Stock #	Description	Qty
1	PS10-001	Screw	42
2	Ps10-002	Baffle	1
3	PS10-003	Screw	1
4	PS10-004	Nut cover	1
5	PS10-005	Locknut	1
6	PS10-006	Block	1
7	PS10-007	Rotary plate	1
8	PS10-008	Blade	2
9	PS10-009	Screw	4
10	PS10-010	Cutter fixing block	1
11	PS10-011	Screw	8
12	PS10-012	Belt cover	1
13	PS10-013	V-belt	1
14	PS10-014	Wheel	1
15	PS10-015	tensioning wheel	1
16	PS10-016	Motor assembly	1
17	PS10-017	Wheel cover	2
18	PS10-018	Locknut	2
19	PS10-019	Flat washer	2
20	PS10-020	Wheel	2
21	PS10-021	Wheel spacer	2
22	PS10-022	Flat washer	2
23	PS10-023	Leg	2
24	PS10-024	End frame	1
25	PS10-025	Foot	2
26	PS10-026	Screw	4
27	PS10-027	Axle tube	1
28	PS10-028	wheel axle	1
29	PS10-029	Right septum	1
30	PS10-030	Left septum	1
31	PS10-031	Inner conductor	1set
32	PS10-032	Power cord	1

Item	Stock #	Description	Qty
33	PS10-033	Cable sleeve	1
34	PS10-034	Switch	1
35	PS10-035	Overload protector	1
36	PS10-036	Motor cover	1
37	PS10-037	Block	1
38	PS10-038	Line board	1
39	PS10-039	Air duct baffle	1
40	PS10-040	Fan cover	1
41	PS10-041	Snap ring	1
42	PS10-042	Fan	1
43	PS10-043	Duct	1
44	PS10-044	Plate	1
45	PS10-045	Screw	2
46	PS10-046	Switch cover	1
47	PS10-047	Switch block	1
48	PS10-048	Interlock switch	1
49	PS10-049	Switch seat	1
50	PS10-050	Fixing block	1
51	PS10-051	Nut	1
52	PS10-052	Main housing	1
53	PS10-053	Switch key	1
54	PS10-054	Housing cover	1
55	PS10-055	Snap ring	1
56	PS10-056	Knob washer	1
57	PS10-057	Flat washer	1
58	PS10-058	Hopper locking knob	1
59	PS10-059	Rubber plate strip	1
60	PS10-060	Rubber sheet	1
61	PS10-061	Feed panel	1
62	PS10-062	Wrench w/hex key	1
63	PS10-063	Wrench	1
64	PS10-064	Paddle	1

TWO (2) YEARS LIMITED WARRANTY

PowerSmart is committed to building tools that are dependable for years. Our warranties are consistent with our commitment and dedication to quality.

TWO (2) YEARS LIMITED WARRANTY OF POWER SMART PRODUCTS FOR HOME USE.

PowerSmart ("Seller") warrants to the original purchaser only, that all PowerSmart consumer power tools will be free from defects in material or workmanship for a period of two (2) years from date of purchase. Ninety (90) days for all PowerSmart Products, if the tool is used for professional or commercial use.

SELLER'S SOLE OBLIGATION AND YOUR EXCLUSIVE REMEDY under this Two (2) Years Limited Warranty and, to the extent permitted by law, any warranty or condition implied by law, shall be the repair or replacement of parts, without charge, which are defective in material or workmanship and which have not been misused, carelessly handled, or misrepaired by persons other than Seller or Authorized Service Center. To make a claim under this Limited Warranty, you must return the entire power tool product; transportation prepaid, to PowerSmart Include a legible copy of the original receipt, which lists the date of purchase (month and year) and the name of the company purchased from.

THIS LIMITED WARRANTY DOES NOT APPLY TO ANY ACCESSORY ITEMS INCLUDED WITH THE TOOL SUCH AS CIRCULAR SAW BLADES OTHER RELATED ITEMS OR TO ANY REPLACEMENT PARTS LISTED UNDER MAINTENANCE.

ANY IMPLIED WARRANTIES SHALL BE LIMITED IN DURATION TO TWO (2) YEARS FROM DATE OF PURCHASE. SOME STATES IN THE U.S. AND SOME CANADIAN PROVINCES DO NOT ALLOW LIMITATIONS ON HOW LONG AN IMPLIED WARRANTY LASTS, SO THE ABOVE LIMITATION MAY NOT APPLY TO YOU.

IN NO EVENT SHALL SELLER BE LIABLE FOR ANY INCIDENTAL OR CONSEQUENTIAL DAMAGES (INCLUDING BUT NOT LIMITED TO LIABILITY FOR LOSS OF PROFITS) ARISING FROM THE SALE OR USE OF THIS PRODUCT. SOME STATES IN THE U.S. AND SOME CANADIAN PROVINCES DO NOT ALLOW THE EXCLUSION OR LIMITATION OF INCIDENTAL OR CONSEQUENTIAL DAMAGES, SO THE ABOVE LIMITATION OR EXCLUSION MAY NOT APPLY TO YOU.

THIS LIMITED WARRANTY GIVES YOU SPECIFIC LEGAL RIGHTS, AND YOU MAY ALSO HAVE OTHER RIGHTS WHICH VARY FROM STATE TO STATE IN THE U.S., PROVINCE TO PROVINCE IN CANADA AND FROM COUNTRY TO COUNTRY.

For questions / comments, technical assistance or repair parts –
Please call toll free at: 1-800-791-9458 (M-F 8am – 5pm CST)
Email: support@amerisuninc.com

SAVE YOUR RECEIPTS. THIS WARRANTY IS VOID WITHOUT THEM.