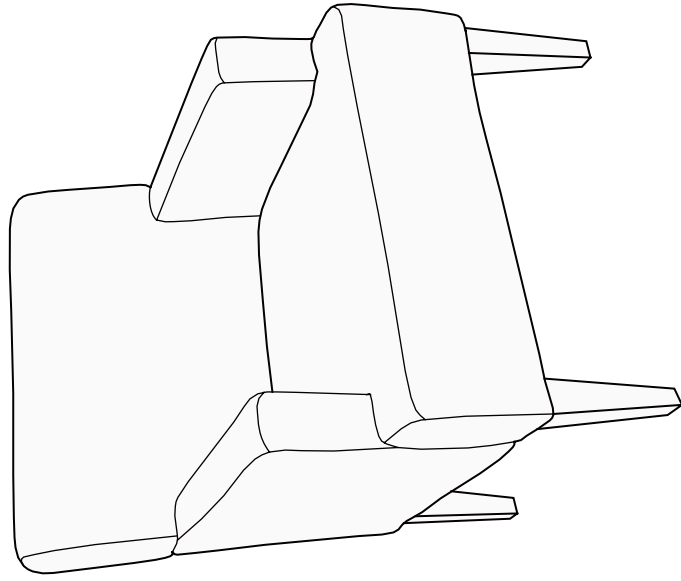
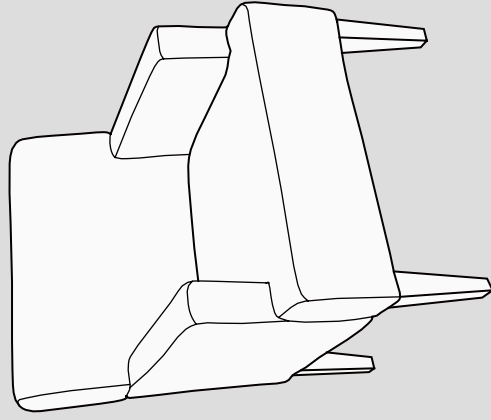




Model: \_\_\_\_\_  
Lot No: \_\_\_\_\_  
Date of Purchased: \_\_\_\_\_



# TUX



### ADULT ASSEMBLY REQUIRED

If you are missing any parts or have any questions regarding assembly, do not return this item to the retailers store. Please call our toll-free customer service number and have this assembly manual open to the parts list ready to provide the model name, and part name or number.

Customer Service

**1-877-864-5752**

8:30 AM PST - 4:30 PM PST (Monday - Friday)

Website: [www.dwellhom.com](http://www.dwellhom.com)

Missing Parts: [parts@dwellhom.com](mailto:parts@dwellhom.com)

Warranty Information: [www.dwellhom.com/warranty](http://www.dwellhom.com/warranty)

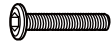


**WARNING:** This product may contain small components, please ensure they are kept away from small children.

## Parts and Hardware



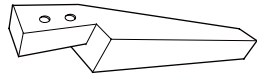
Allen key x 1



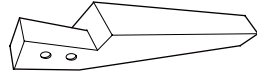
Bolt x 8



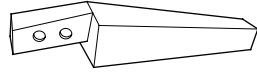
Washer x 8



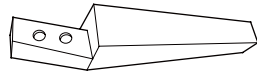
A



B

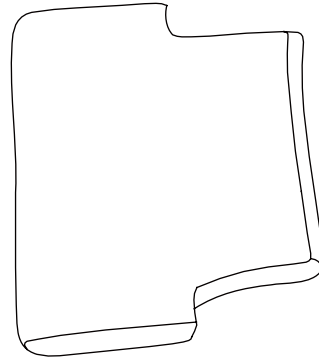


C

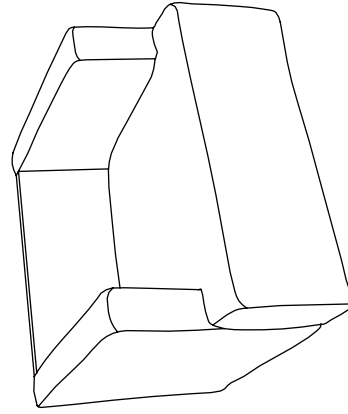


D

Leg x 4



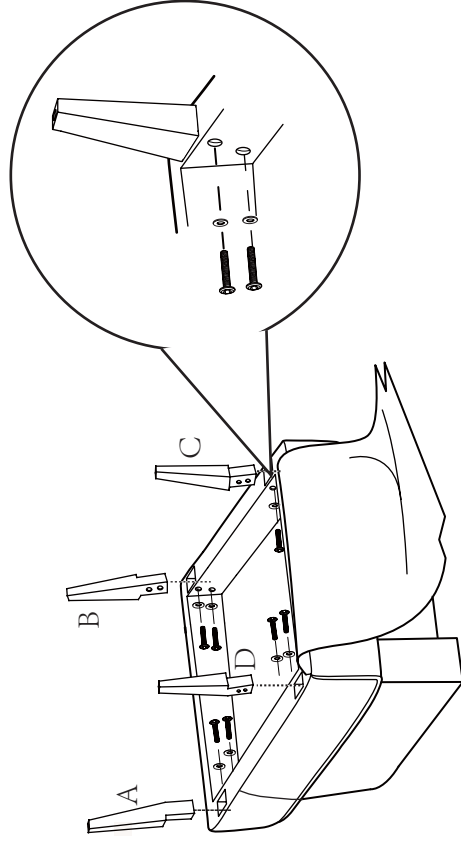
Backrest x 1



Chair Body x 1

## Assembling the Tux

- 1 Carefully unpack and place chair body unit on a clean flat surface to show the base.
- 2 Secure all four legs with bolts and washers by using Allen key. Please avoid overtightening.



- 3 Finally, fully slot backrest into the back of seat cushion, ensuring it does not move backward or forward.

