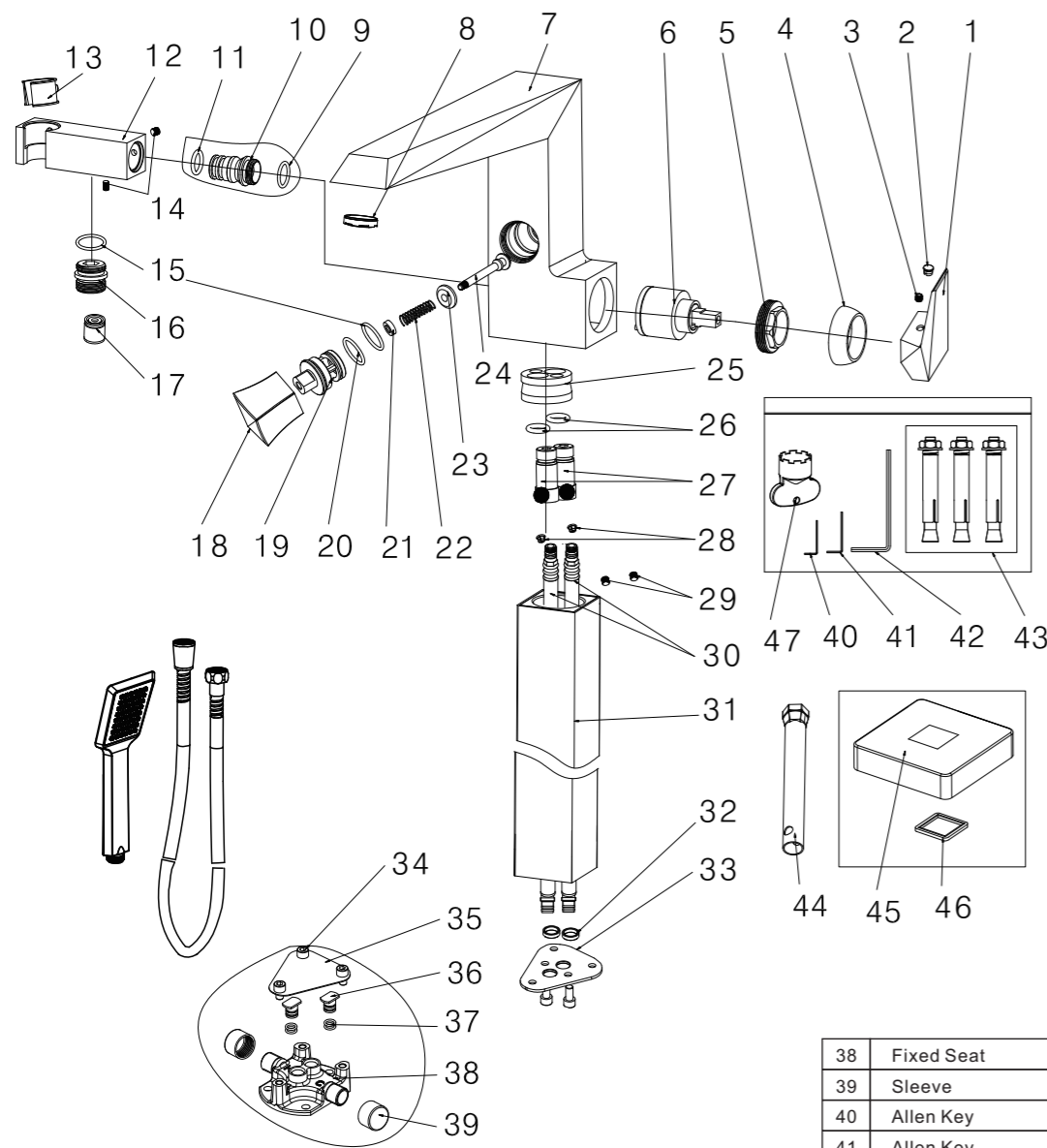


Step 4 Cleaning and care

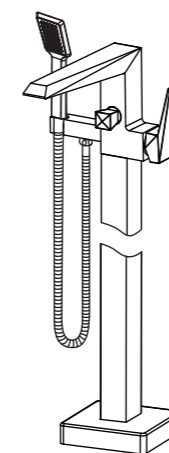
Daily cleaning and care are required in order to keep the product shining and properly working.

- 1 Clean it with water and dry it with soft cloth.
- 2 Clean the product with gentle liquid or glass cleaner.
- 3 Don't use acid cleaner.
- 4 Don't clean with abrasive material, abrasive paper or knife.

Step 5 Parts list



NO.	PART NAME
1	Handle
2	Button
3	Screw
4	Trim Cap
5	Lock Nut
6	Cartridge
7	Body
8	Aerator
9	O-ring
10	Connector Nut
11	O-ring
12	Shower Holder
13	Plastic Holder
14	Screw
15	Shower Hose Connector
16	Hose Connector Core
17	Check Valve
18	Knob
19	Diverter Cover
20	O-ring
21	Sealing Ring
22	Diverter Spring
23	Washer
24	Diverter Core
25	Cartridge Seat
26	O-ring
27	Connect Tube
28	Button
29	Screw
30	Inlet Pipe
31	Straight Tube
32	Nut
33	Connect Plate
34	Screw
35	Fixed Plate
36	Plug
37	O-ring
38	Fixed Seat
39	Sleeve
40	Allen Key
41	Allen Key
42	Allen Key
43	Screw
44	Socket Wrench
45	Plate
46	O-ring



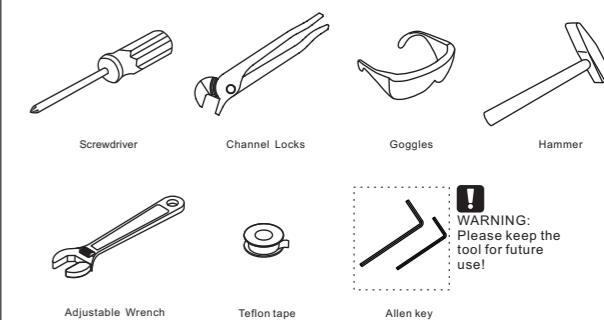
SINGLE HANDLE SHOWER SET, CHROME

The product is CUPC and ADA certified.

Original certification model code: VE20291

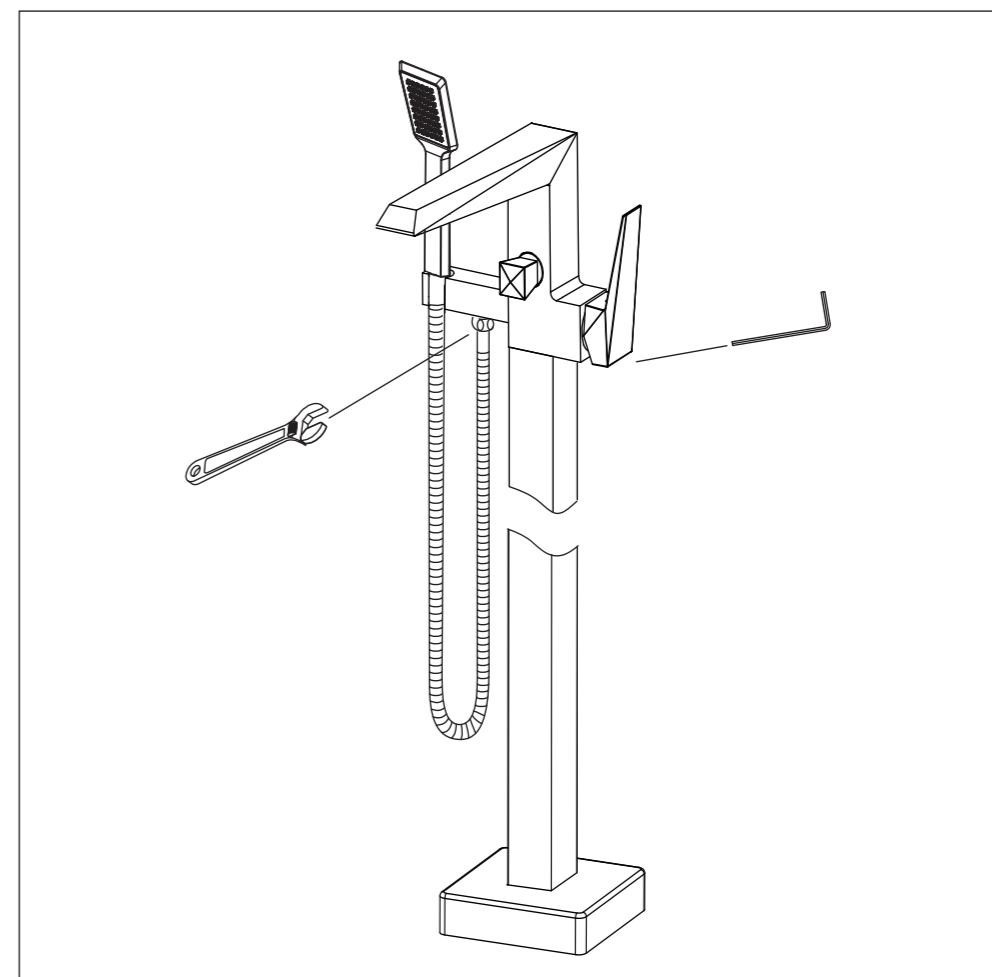
ASME A112.18.1/CSA B125.1

RECOMMENDED TOOLS

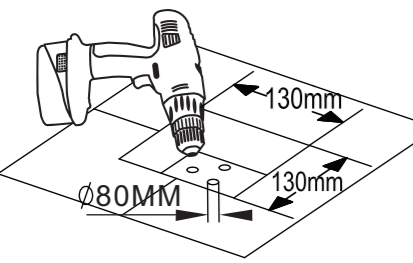
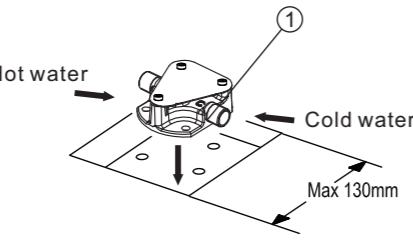
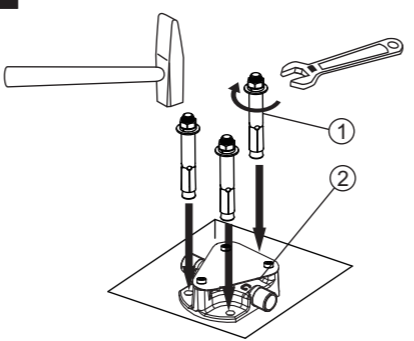


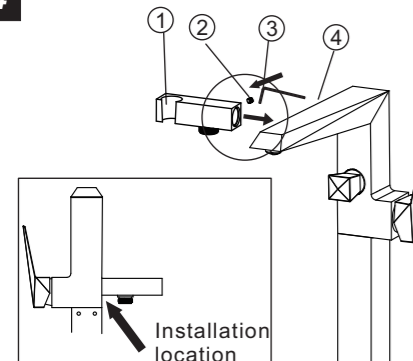
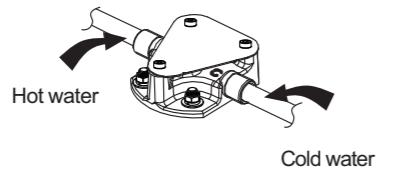
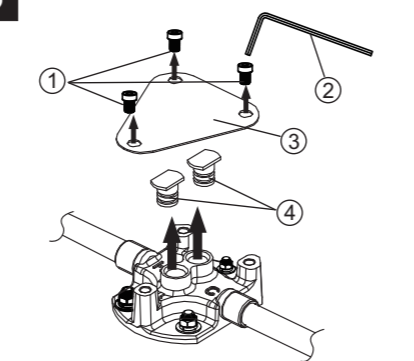
Attention:
for easy installation, you will need:
1. To read all the installation instruction completely before beginning.
2. To read all the warning, attention and maintenance information.

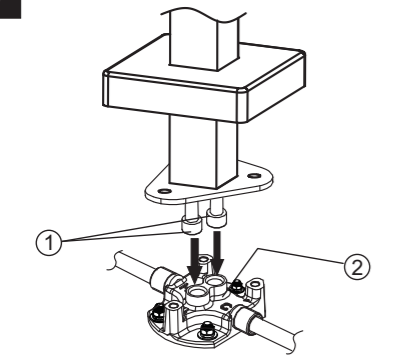
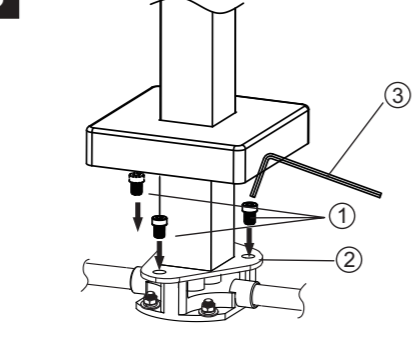
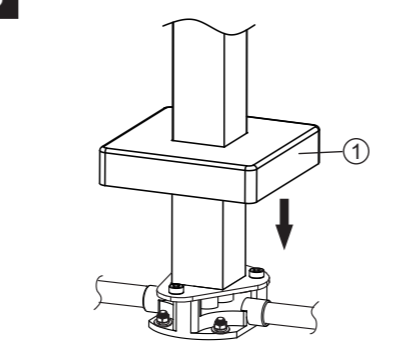
The tools might be applied to the following places:



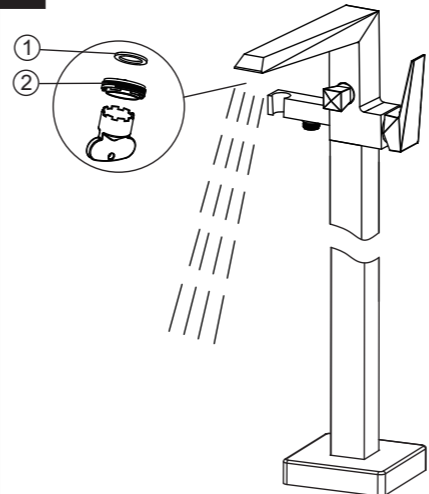
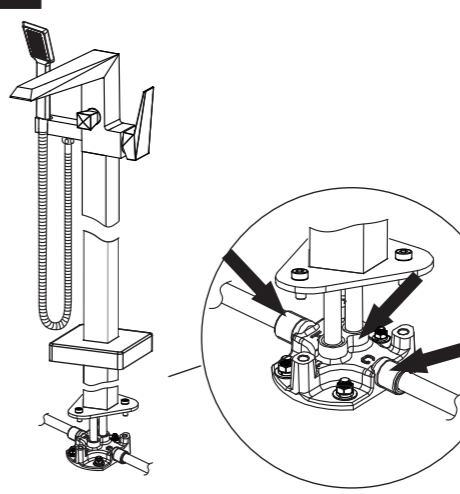
Step 1 Faucet installation

<p>1</p> 	<p>2</p> 	<p>3</p> 
<p>Drill one hole of 130mmX130mm max and drill 3 holes with 80mm diameter as shown.</p>	<p>Align the base① with the holes exactly as shown.</p>	<p>Insert the expansion anchors① into the holes on the base② with a hammer,tighten with adjustable wrench.</p>

<p>4</p> 	<p>5</p> 	<p>6</p> 
<p>Tighten the shower holder① into faucet body④ with a screw② and Allen key③.</p>	<p>Connect hot and cold supply lines and test by opening water lines.</p>	<p>If there are no leaks, remove the 3 screws (1) with the Allen key (2), then remove plate (3) and nuts (4) as shown.</p>

<p>7</p> 	<p>8</p> 	<p>8</p> 
<p>Connect hot water flexible hose(1) and cold water flexible hose(1) to the base (2) correctly as shown.</p>	<p>Insert 3 screws (1) into holes on the plate(2), tighten with allen key(3).</p>	<p>Put down cover (1) and complete installation.</p>

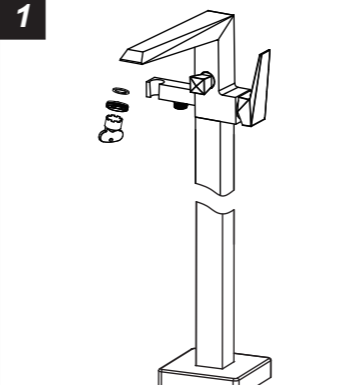
Step 2 Checking and testing

<p>1</p> 	<p>2</p> 
<p>Remove the aerator ② with aerator wrench, take out the o-ring ① too. Turn the faucet handle all the way on, turn on hot and cold water supply and flush water lines for one minute. Reinstall aerator with aerator wrench.</p>	<p>Check all connections at arrows for leaks, re-tighten it if necessary.</p> <p>! BUT DON'T OVERTIGHTEN</p>

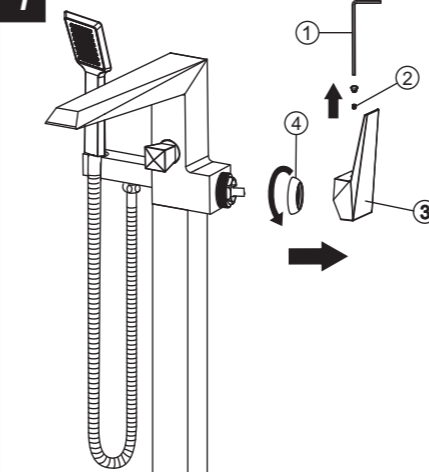
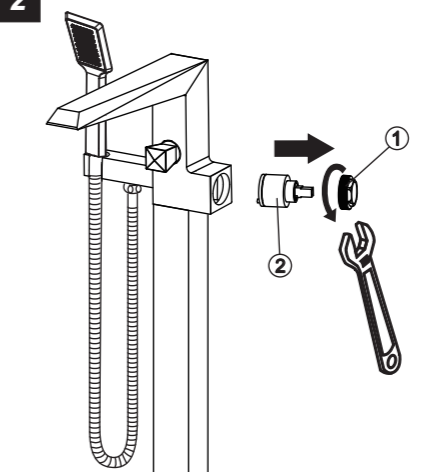
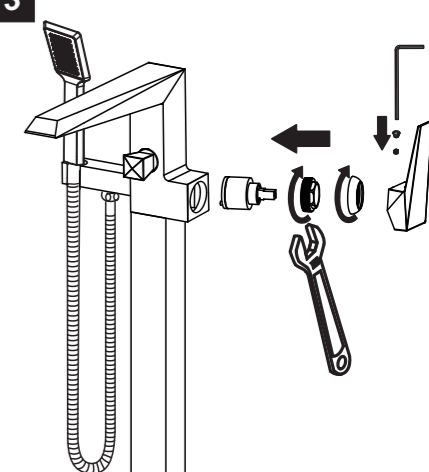
Step 3 Maintenance

A. If there is splash or low flow rate, please remove the aerator with the wrench and clean the debris.

1



B. If faucet leaks from the handle or drips from spout, please replace cartridge following the following steps:

<p>1</p> 	<p>2</p> 	<p>3</p> 
<p>Disassemble the screw② with allenkey①, take out the handle③, then remove the trim cap④.</p>	<p>Unscrew the cartridge nut① with adjustable wrench, then take out the old cartridge②.</p>	<p>Place a new cartridge in the cartridge seat, then screw the cartridge lock nut and assemble the handle by securing the screws. Repeat the above steps for the other cartridge if necessary.</p>