

Glacier Bay Newbury Single-Handle Bar Faucet  
with Soap Dispenser

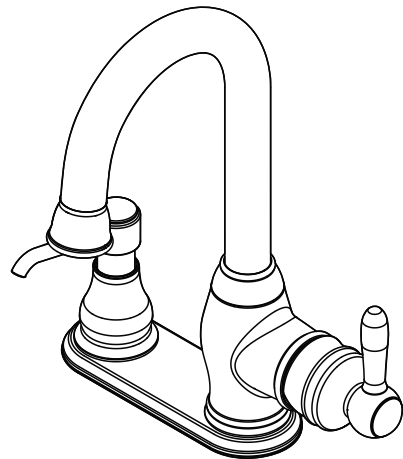
MODEL	OMSID#	FINISH
FS1A0026CP	302357330	Chrome
FS1A0026BNV	302357337	Stainless

### FEATURES

- Drip Free Ceramic Cartridge
- Metal Lever Handle
- Lead Free Brass Body
- With Soap Dispenser
- With Optional Deck Plate
- Max Flow Rate: 1.75 gpm (6.6 L/min) at 60 psi

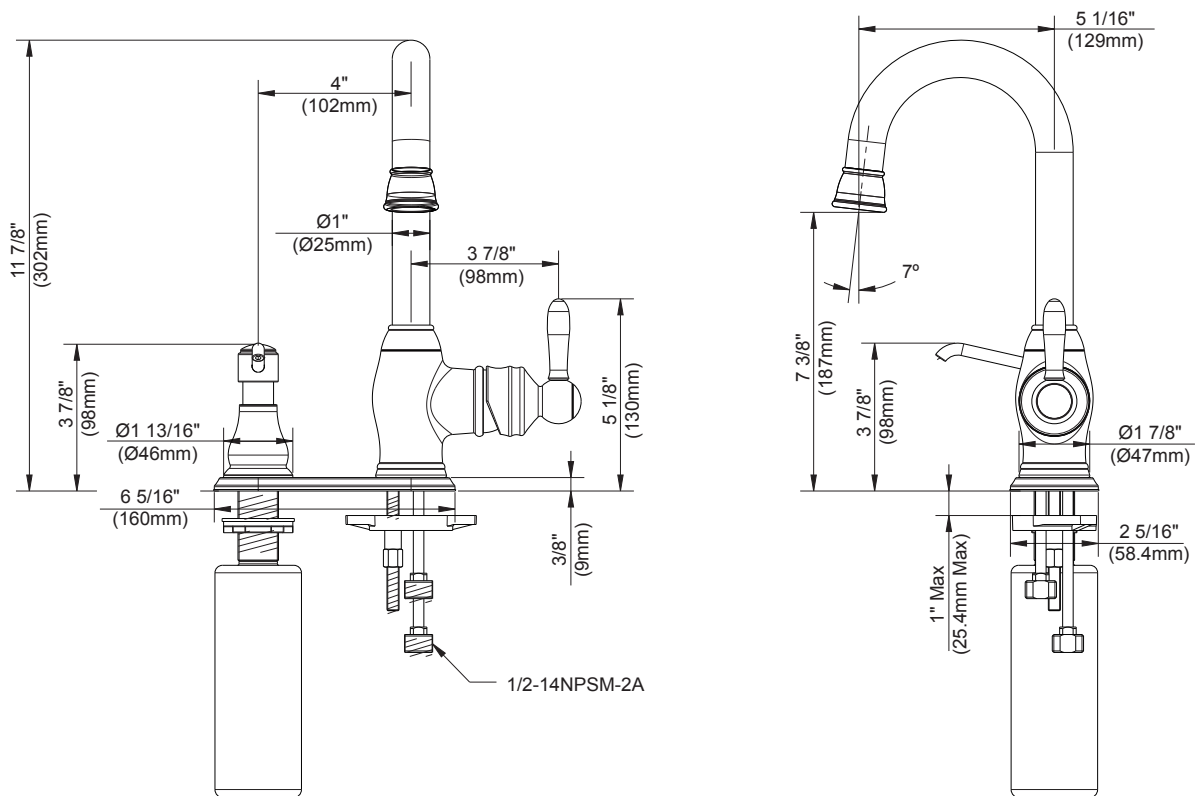
### CODE COMPLIANCE

- IAPMO Certified: ASME A112.18.1
- IAPMO Certified: Complaint to NSF/ANSI (61 Section 9, 372)
- IAPMO Green
- Meets AB 1953 Lead Standard
- ADA Compliant



### WARRANTY

- Limited Lifetime Warranty



### INSTALLATION DIMENSIONS