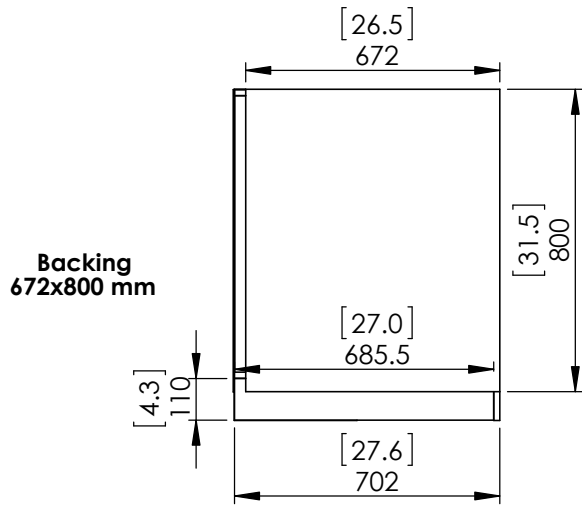
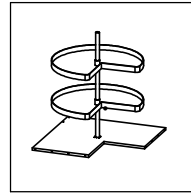


Item ID	Description	REV	ECO#	Description	REV'D BY DATE	CHK'D BY DATE	APRV'D BY DATE
BT2835C-BT	Kitchen Corner Base Cabinet						

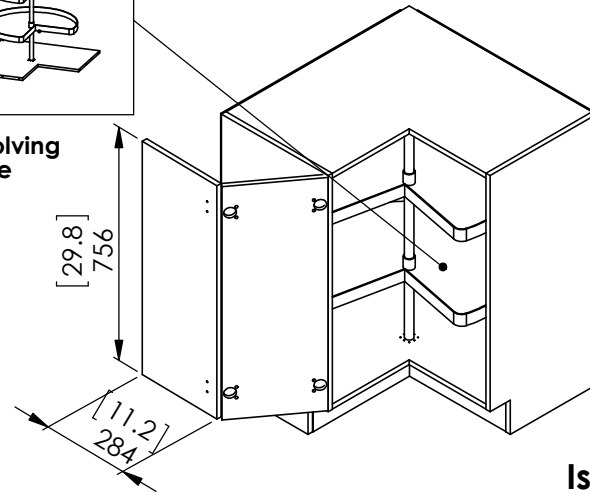


Backing
672x800 mm

Back View

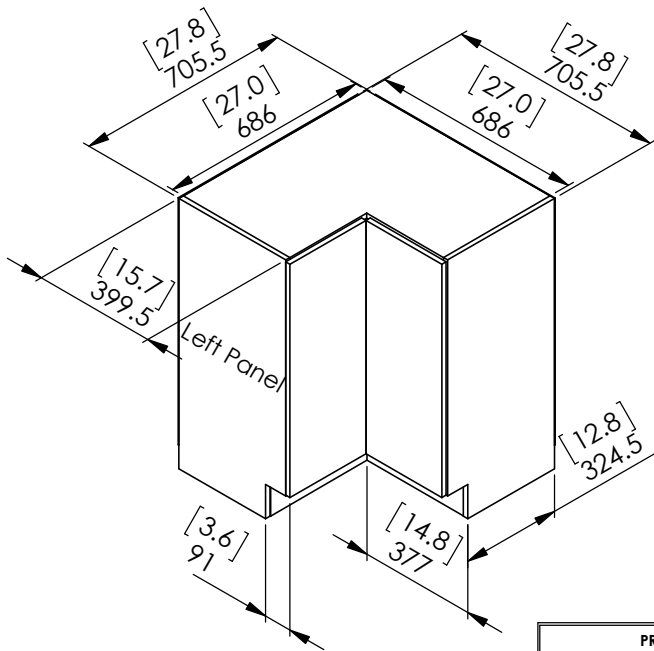


Revolving Piece

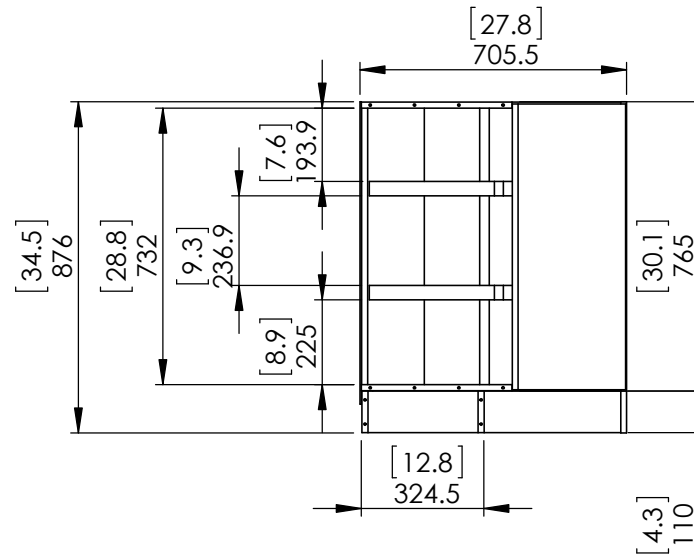


Isometric View

Item ID
BT2835C-BT
BT2835C-WH
CM2835C-DK
CM2835C-WH
EH2835C-GB



Front Isometric View



Side View
(Left Panel
Removed)

<p>PROPRIETARY AND CONFIDENTIAL</p> <p>THE INFORMATION CONTAINED IN THIS DRAWING IS THE SOLE PROPERTY OF WOODCRAFTERS. ANY REPRODUCTION IN PART OR AS A WHOLE WITHOUT THE WRITTEN PERMISSION OF WOODCRAFTERS IS PROHIBITED.</p>	<p>UNLESS OTHERWISE SPECIFIED</p> <p>DIMENSIONS ARE IN MM. AND (INCHES)</p> <p>TOLERANCES ARE + 0.125 [3.175] - 0.125 [-3.175]</p> <p>SCALE:1:10</p>	NAME	DATE		<p>SIZE DWG. NO. SHEET 1 OF 1</p> <p>A Kitchen Corner Base Cabinet REV: 1</p>	
		DRAWN	Mark Flores			7/17/17
		CHECKED				
		ENG APPR.				
		MFG APPR.				