

## CEILING LIGHT

## SPEC SHEET



Suitable for  
**Wet Locations**



Catalog No. : SOL20-3K-BZ

Type : Ceiling / Canopy / Wall

Project Name :

Location :

Qty :

Date :

PROBRITE's Large Architectural Outdoor/Indoor LED Security Flush Ceiling and Wall Mount benefits from the latest in LED technology to save 85% on energy bills, lasts over 50,000-hour and doesn't require any bulb changes. Its hands-free installation feature makes the fixture easy to mount and comes fully gasketed and water-tight for outdoor and indoor installation. The modern look is designed for both ceiling and wall mounting applications where extra style is desired.

### APPLICATIONS

Versatile fixture for any ceiling, canopy or wall mount. Used for both outdoor and indoor applications.

### PRODUCT PERFORMANCE AT A GLANCE

SYSTEM WATTAGE	LED WATTAGE	LUMENS	LPW	CRI	REPLACES (MH)
20W	18W	1800 lm	90 lm/w	≥80	150W Incandescent

### HOUSING

Die cast aluminum back plate housing with UV-stabilized vandal-resistant polycarbonate lens and front-trim.

### IP RATING & LISTINGS

LED light fixture is outdoor weather-proof rated IP65.

cULus, FCC Certified

### OPTICS

Wide-angle Type V circular distribution with glare-free frosted lens eliminates LED "hot-spots" and minimizes eye-glare.

### MOUNTING

#### Ceiling / Wall Mount:

Flush mount to ceiling, canopy or wall.

Unit has a detachable mounting plate that easily fits any junction box or surface with hanging hook wire that allows for hands-free installation when making electrical connections.

### FINISH

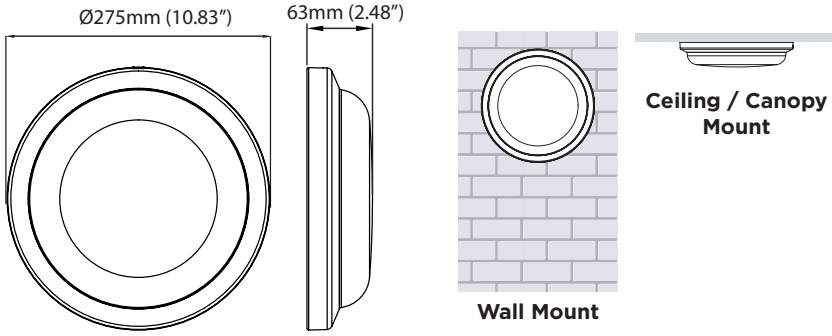
Fade, weather, and abrasion resistant, electrostatically applied, thermally cured, triglycidal isocyanurate (TGIC) textured polyester powdercoat finish on back housing, with impact and weather resistant polycarbonate front housing and lens.

### WARRANTY

Fixture is covered by a 5-year limited warranty.

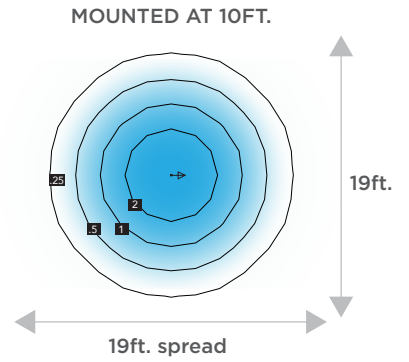
See [probrite.com/warranty](http://probrite.com/warranty) for details.

## PRODUCT LINE DRAWING



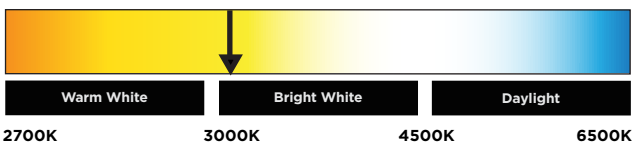
**SUGGESTED MOUNTING HEIGHT:**  
8-15FT.(2.4-4.6M)

## 2D PHOTOMETRIC VIEW



## PRODUCT SPECIFICATIONS

Product Dimensions	: 10.83" x 2.48"
Weight	: 2.2lbs
Lumens	: 1800
System Wattage	: 20W
LED Wattage	: 18W
Efficacy	: 90
CRI	: 80
Replaces (MH)	: 150W
Mounting	: Wall/Ceiling mount
Frequency	: 50-60Hz
THD (Total Harmonic Distortion)	: <20%
PF (Power Factor)	: >0.9
Ambient Operating Temperature	: (-30) - 40°C
Input Voltage	: 120V
LED Chip	: Philips® LED
Photocell	: No
Driver	: Non-dimming
Standard Lifetime	: L70 >50,000hrs
Standard Warranty	: 5 Years
Water Proofing Grade	: Suitable for Wet location
CCT	: 3000K
Certifications	: UL/cUL



## APPLICATION

