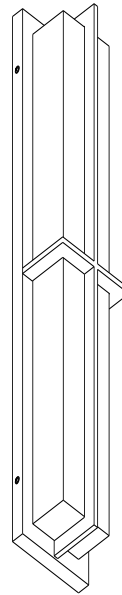
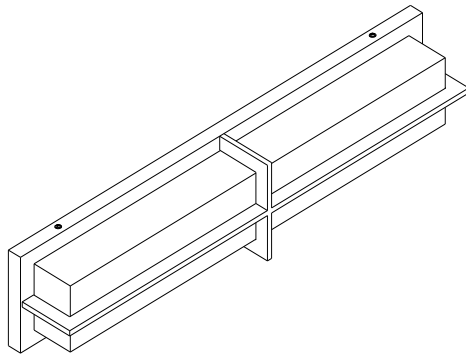


USE AND CARE GUIDE

**EUROPA 26" LED WALL MOUNT SCNCE
RATED FOR USE IN DRY OR DAMP LOCATIONS
CAN BE INSTALLED HORIZONTALLY OR VERTICALLY**



Questions, problems, missing parts? Before returning to the store,
Please contact Fifth and Main Customer Service at
fifthandmainsupport@troycsl.com

THANK YOU

*We appreciate the trust and confidence you have placed in Fifth and Main Collection through the purchase of this LED wall mount sconce.
We strive to continually create quality products designed to enhance your home.
Thank you for choosing Fifth and Main!*

Table of Contents

| | | | |
|---------------------------------|----------|-------------------------------|----------|
| Table of Contents | 2 | Tools required | 3 |
| Safety Information | 2 | Hardware Included..... | 3 |
| Warranty | 2 | Pre-installation | 4 |
| What is Covered..... | 2 | Package Contents..... | 4 |
| What is Not Covered | 2 | Installation | 5 |
| Pre-installation | 3 | | |
| Planning Installation | 3 | | |

Safety Information

- Read all instructions before assembling and installing the product.
- Consult a qualified electrician for installation of this fixture.
- If you have any non-electrical questions about this please contact
- the customer service fifthandmainsupport@troycsl.com
- Save these instructions for future reference.



WARNING:

Before starting installation of this fixture or removal of a previous fixture, disconnect the power by turning off the circuit breaker or by removing the fuse at the fuse box.



CAUTION:

Inspect the wire insulation for any cuts, abrasions, or exposed copper that may have resulted during shipping. If there is a defect in the wire, do not attempt installation. Please contact our customer service department fifthandmainsupport@troycsl.com

Warranty

WHAT IS COVERED

The manufacturer warrants this lighting fixture to be free from defects in materials and workmanship for a period of three (3) years from date of purchase. This warranty applies only to the original consumer purchaser and only to products used in normal use and service. If this product is found to be defective, the manufacturer's only obligation, and your exclusive remedy, is the repair or replacement of the product at the manufacturer's discretion, provided that the product has not been damaged through misuse, abuse, accident, modifications, alterations, neglect, or mishandling. This warranty shall not apply to any product that is found to have been improperly installed, set-up, or used in any way not in accordance with the instructions supplied with the product. This warranty shall not apply to a failure of the product as a result of an accident, misuse, abuse, negligence, alteration, faulty installation, or any other failure not relating to faulty material or workmanship.

WHAT IS NOT COVERED

This warranty shall not apply to the finish on any portion of the product, such as surface and/or weathering, as this is considered normal wear and tear. The manufacturer does not warrant and specially disclaims any warranty, whether express or implied, of fitness for a particular purpose, other than the warranty contained herein. The manufacturer specifically disclaims any liability and shall not be liable for any consequential or incidental loss or damage, including but not limited to any labor / expense costs involved in the replacement or repair of said product.

Contact the Customer Service fifthandmainsupport@troycsl.com

Pre-installation

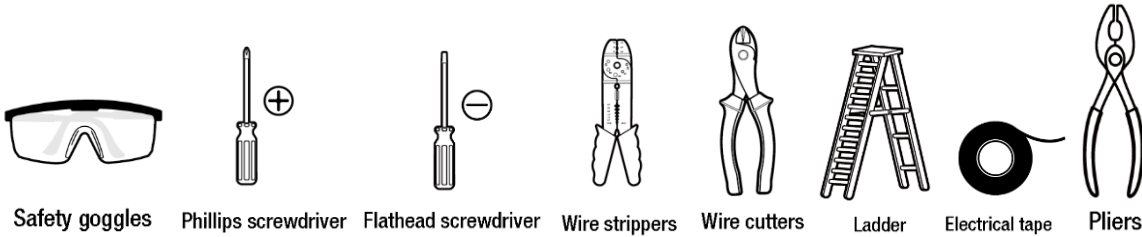
PLANNING INSTALLATION

- Read all instructions before installation
- To avoid damaging this product, assemble it on a soft, non-abrasive surface, such as carpet or cardboard.



- **NOTE:** Keep your receipt and these instructions for proof of purchase.

TOOLS REQUIRED



Safety goggles

Phillips screwdriver

Flathead screwdriver

Wire strippers

Wire cutters

Ladder

Electrical tape

Pliers

HARDWARE INCLUDED



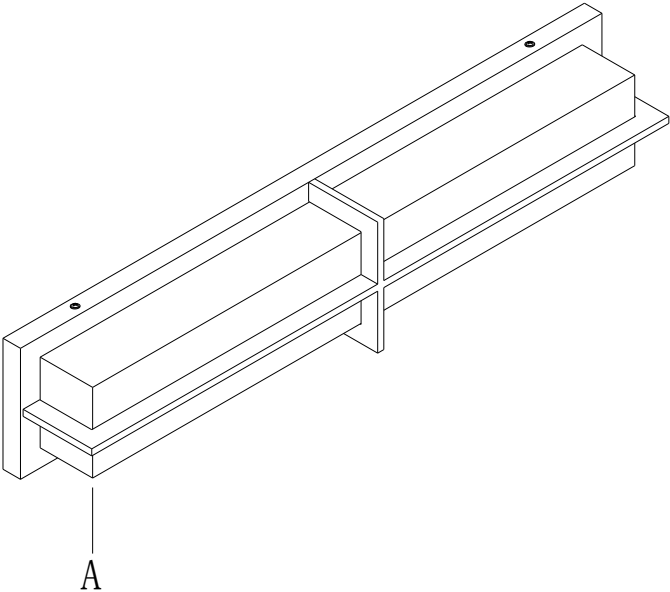
NOTE: Hardware not shown to actual size.



| Part | THD Table Header, 10 pt. | Quantity |
|------|--------------------------|----------|
| AA | Mounting plate | 1 |
| BB | Ground screw | 1 |
| CC | Outlet box screw | 4 |
| DD | Wire nut | 3 |
| EE | Mounting screw | 2 |
| FF | plastic wall anchor | 2 |
| GG | Mounting unit screw | 4 |

Pre-installation

PACKAGE CONTENTS

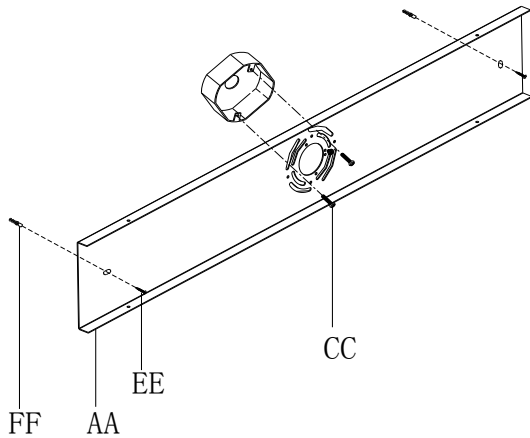


| Part | Description | Quantity |
|------|-------------|----------|
| A | Lamp Frame | 1 |

Installation

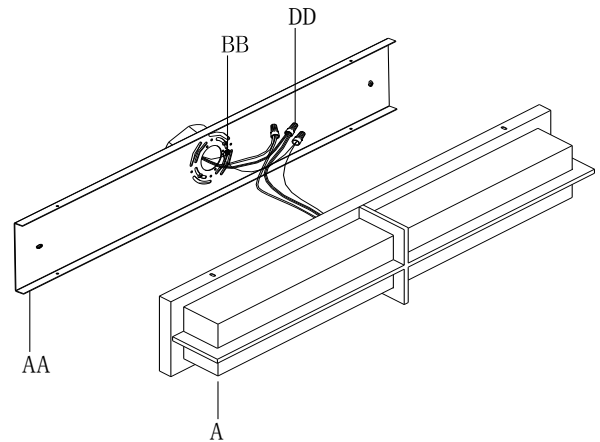
1 Attaching the cross bar to the outlet box

- Fixed Plastic wall anchor(FF) to the wall
- The Mounting screw (CC) go through the Mounting plate (AA) to be locked to the outlet box.
- The Mounting screw (EE) go through the Mounting plate(AA) to be locked to the Plastic wall plug(FF)



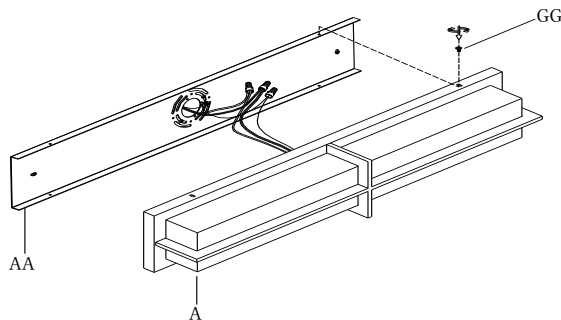
2 Connecting the electrical wires

- Connect the copper wire from the fixture frame (A) to the mounting unit (AA) by securing it with the pre-Installed ground screw.
- Connect the white wire from the fixture to the white wire (neutral wire) from the outlet box.
- Connect the black wire from the fixture to the black wire (live wire) from the outlet box.
- Cover the three connections using the three wire nuts(DD). Wrap the three wire connections with electrical tape for a more secure connection.
- Position the wire back inside the outlet box.



3 Installing the lighting fixture

- Screw the fixture frame (A) to Mounting plate (AA) with provided Mounting plate screw (GG)



NOTE:

- This fixture can be mounted horizontally or vertically.
- This fixture includes integrated, solid state LED's.
- There are no bulbs to replace.

Fifth and Main

LIGHTING

Questions, problems, missing parts? Before returning to the store,
Please contact Fifth and Main Customer Service at
fifthandmainsupport@troycs1.com

Retain this manual for future use.